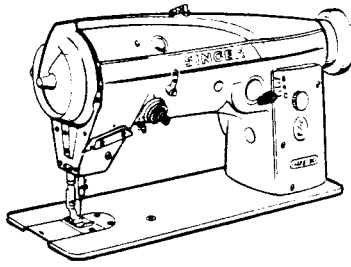


SINGER

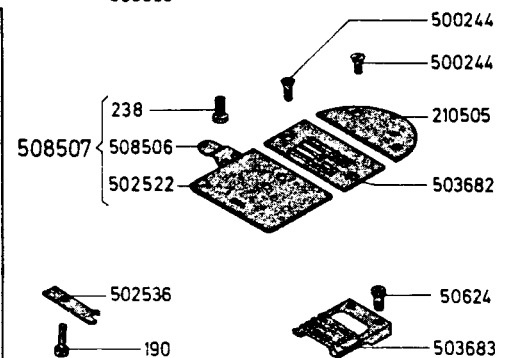
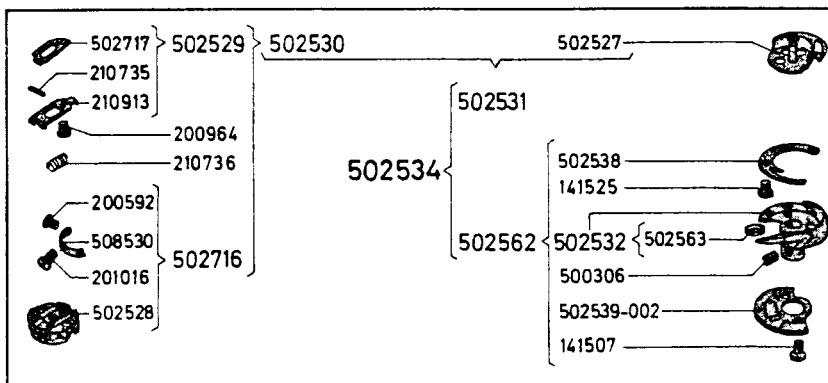
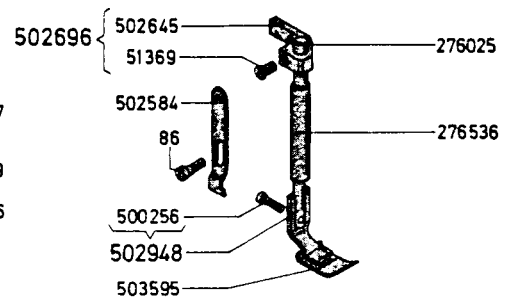
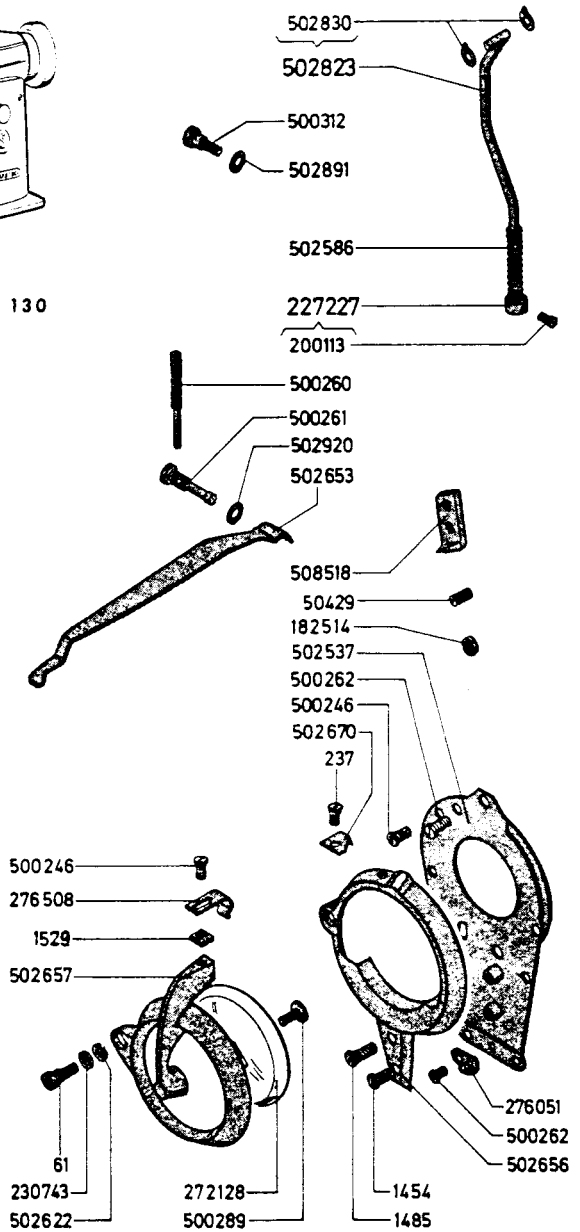
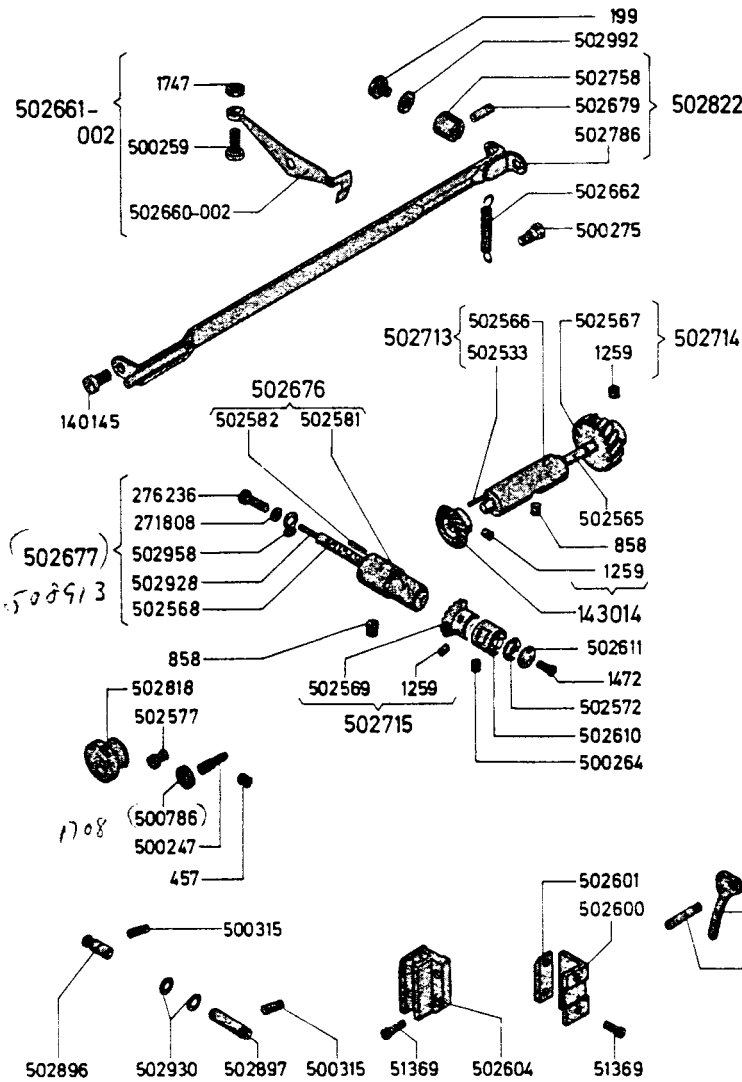
ILLUSTRATED
PARTS LIST
FORM - NO. 30-332 G
(368/930)

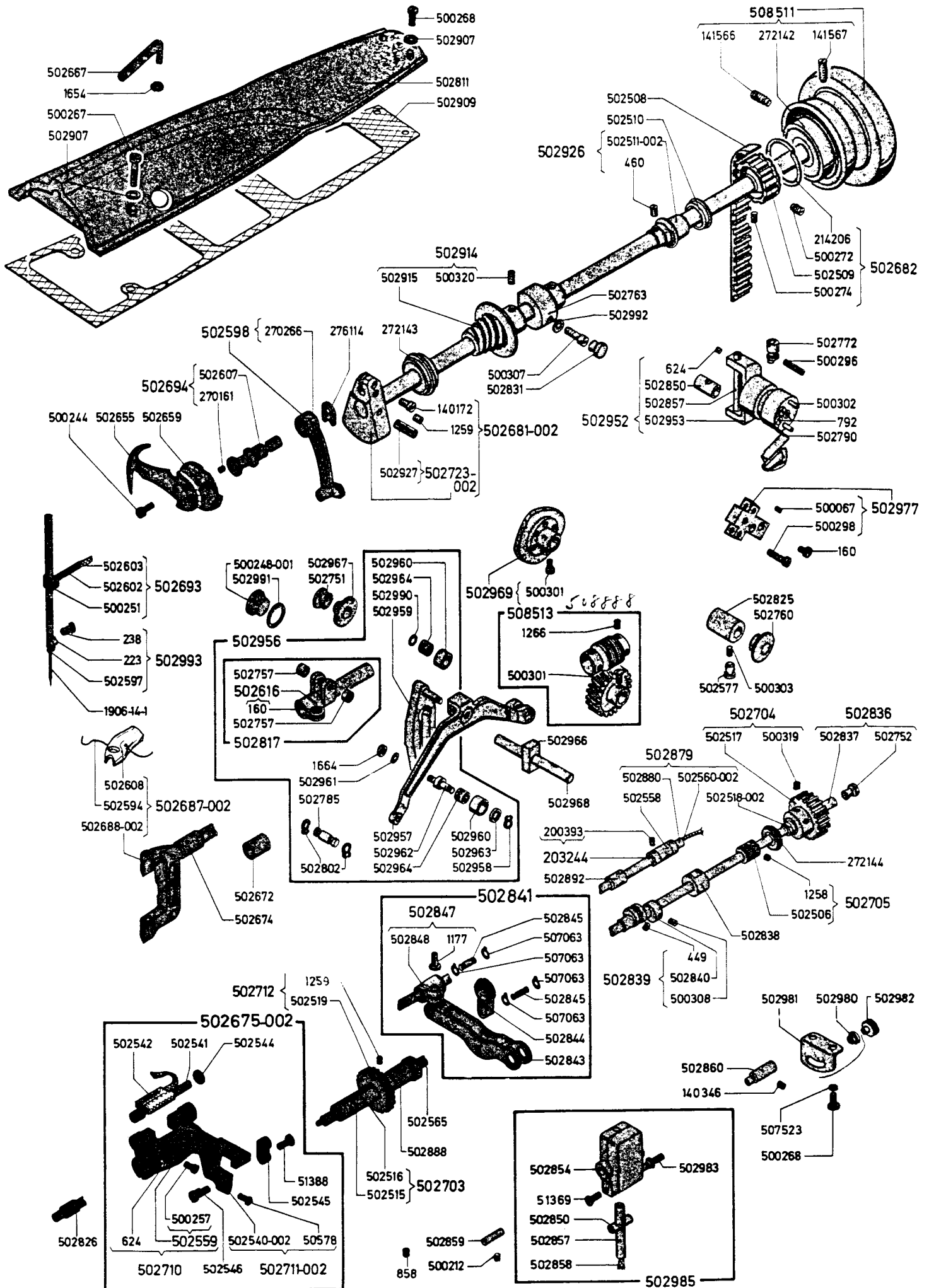
FOR MACHINES
457 G 130, 457 G 135,
457 G 155, 457 GX6



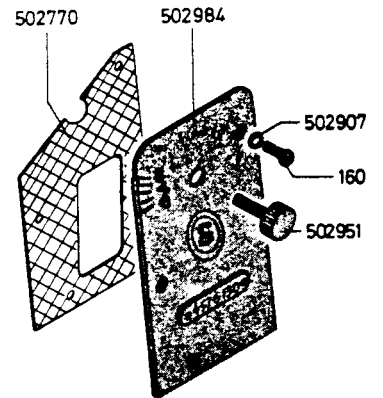
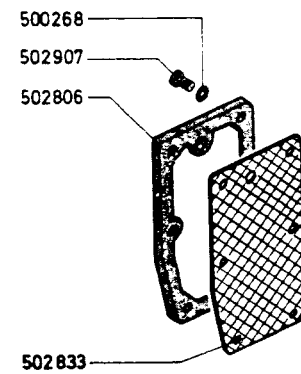
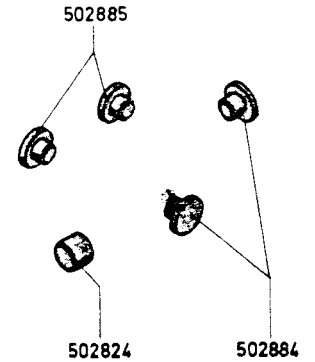
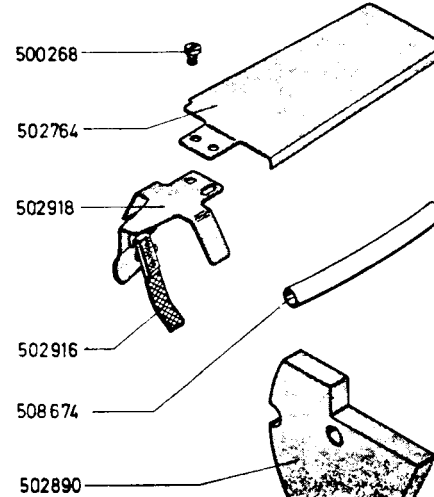
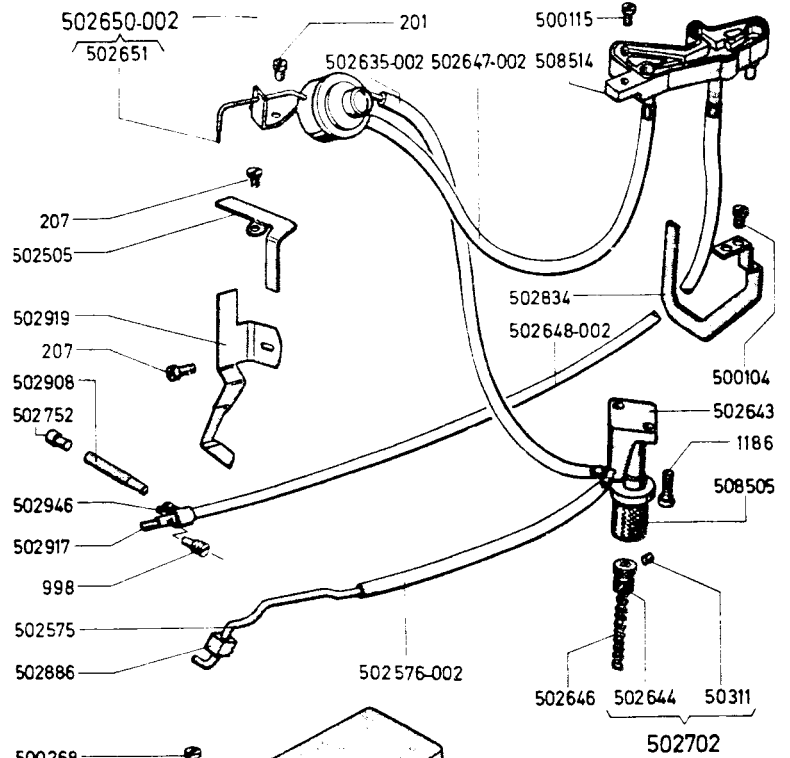
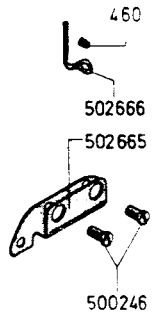
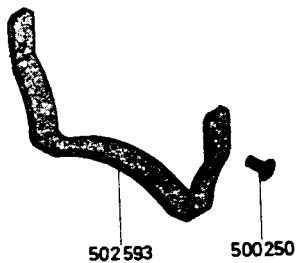
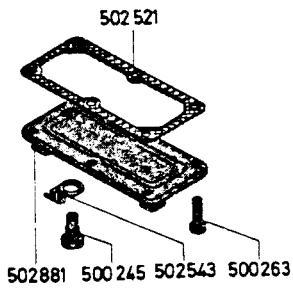
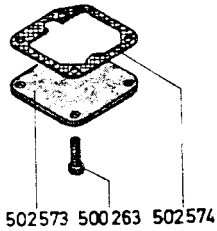
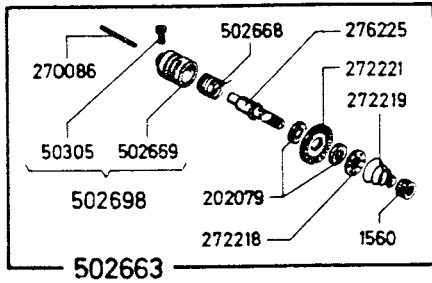
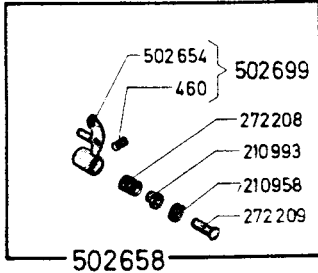
MACHINE 457 G 130

PARTS FOR MACHINES 457 G 130, 457 G 135,
457 G 155 AND 457 GX6 (SEE NUMERICAL
PARTS LIST ON REVERSE PAGE).





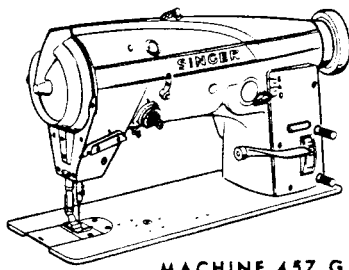
50429



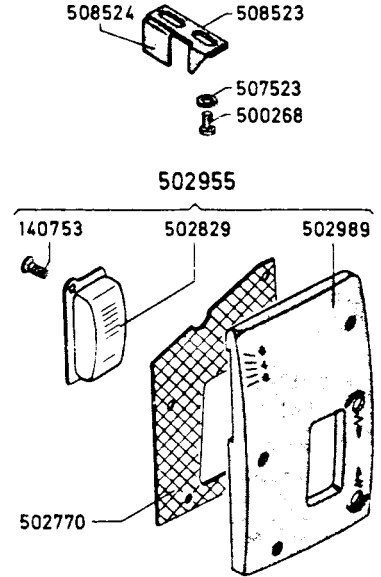
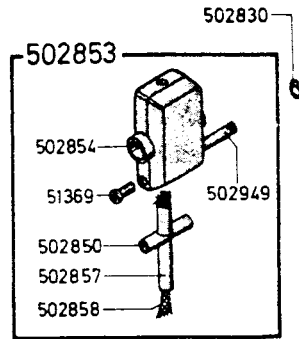
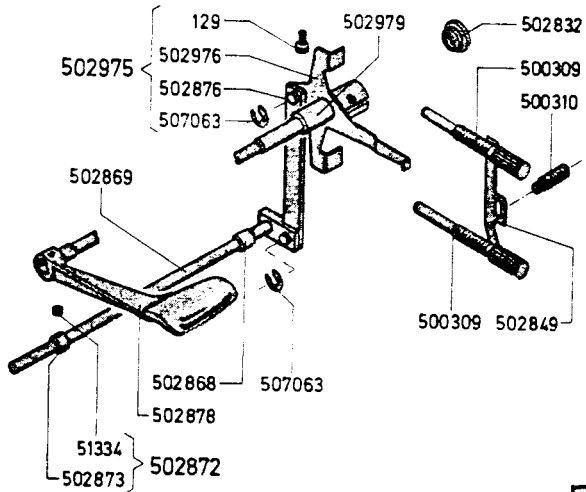
THE SINGER COMPANY
Copyright © 1968 by THE SINGER COMPANY

Printed in Western Germany

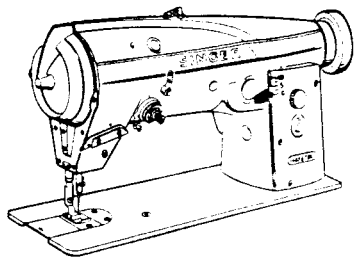
PARTS FOR MACHINE 457 G 135,
 FOR PARTS NOT ILLUSTRATED AND/OR NOT
 INDICATED BY REFERENCE NUMBERS,
 REFER TO MACHINE 457 G 130.



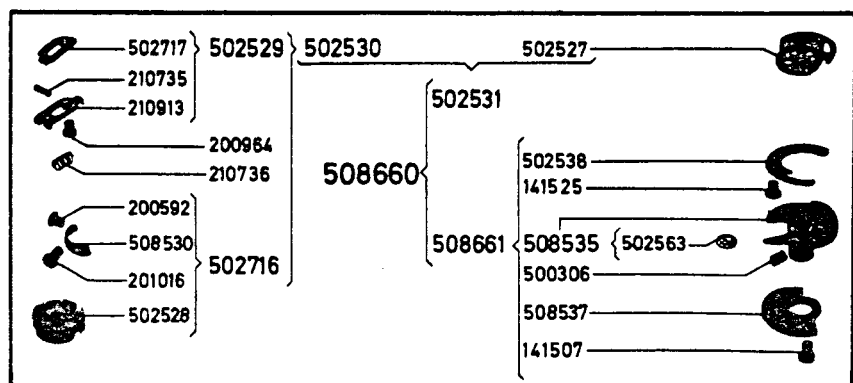
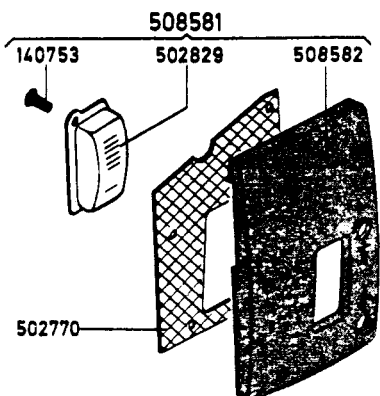
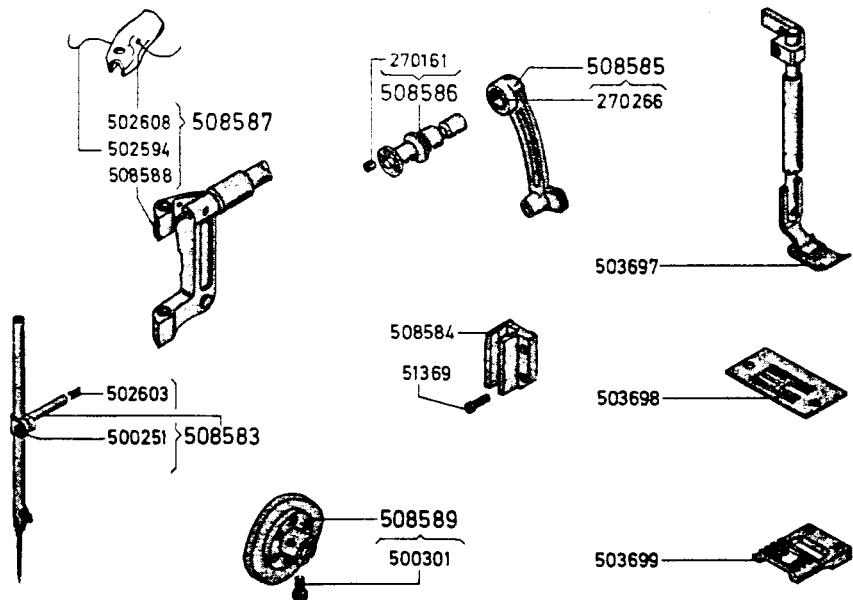
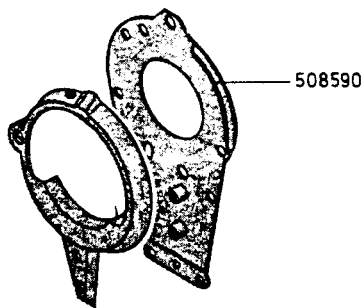
MACHINE 457 G 135

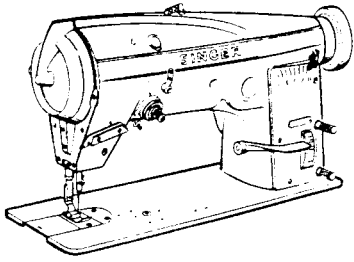


PARTS FOR MACHINE 457 GX6
 FOR PARTS NOT ILLUSTRATED AND/OR NOT
 INDICATED BY REFERENCE NUMBERS,
 REFER TO MACHINE 457 G 130 AND 457 G 135.



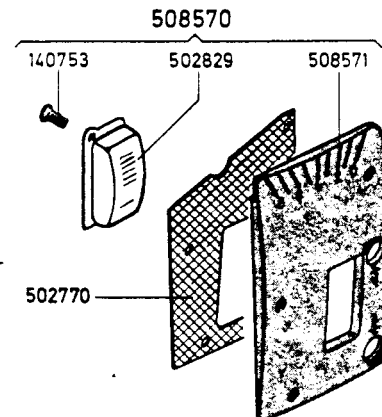
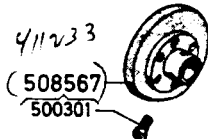
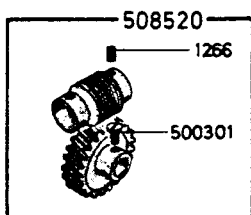
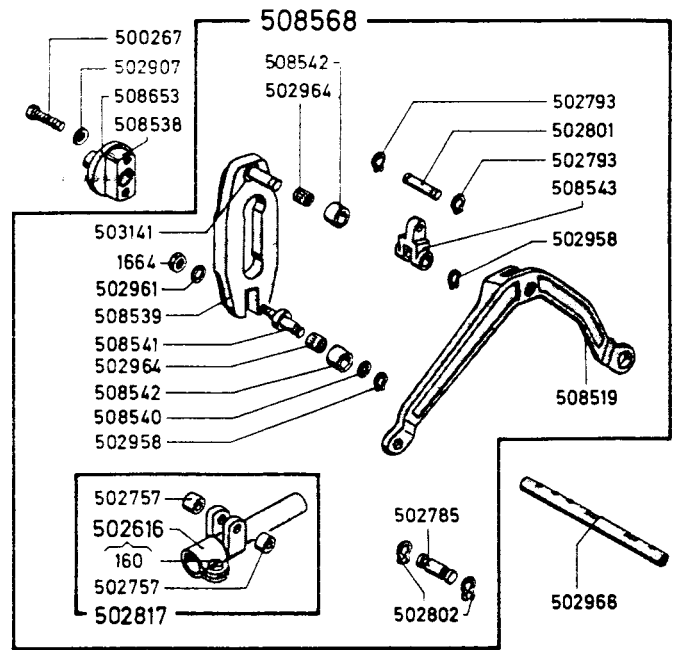
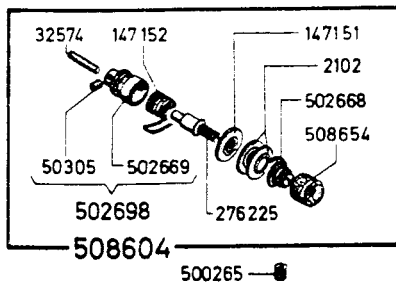
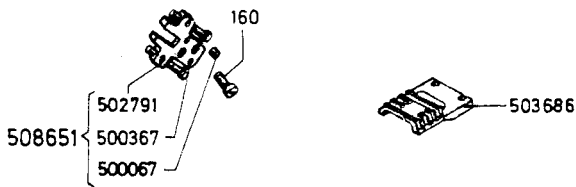
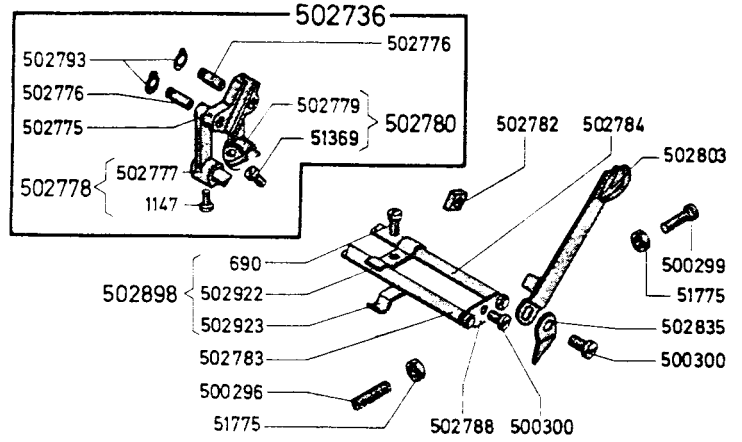
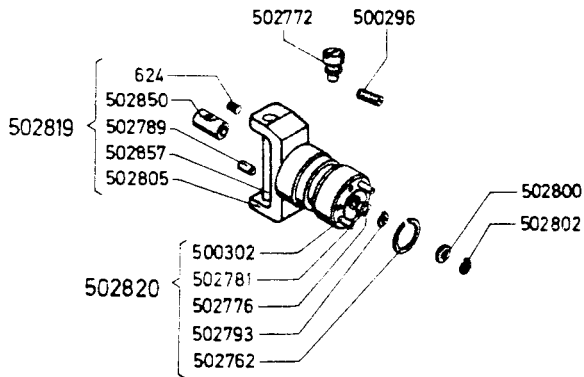
MACHINE 457 GX6

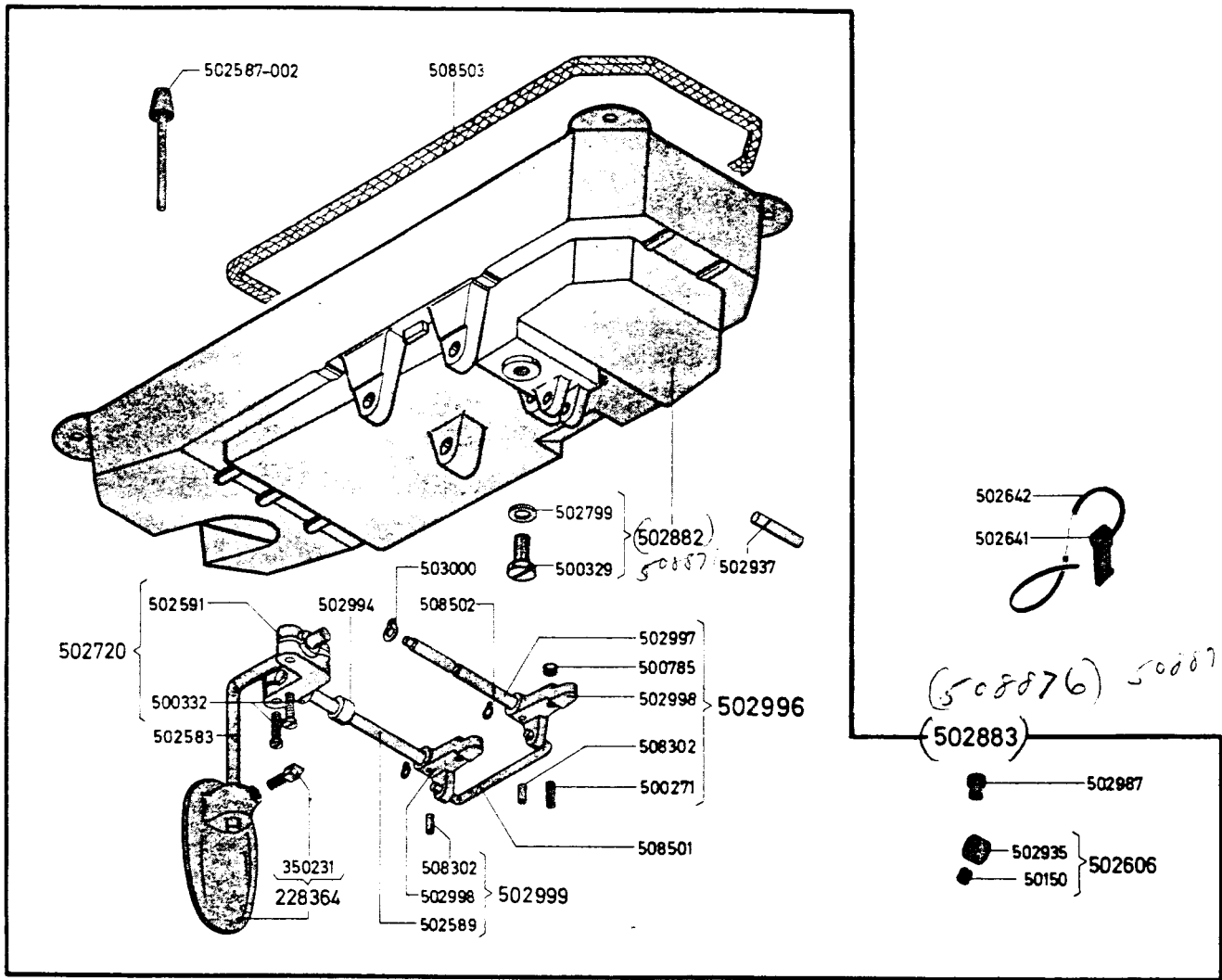




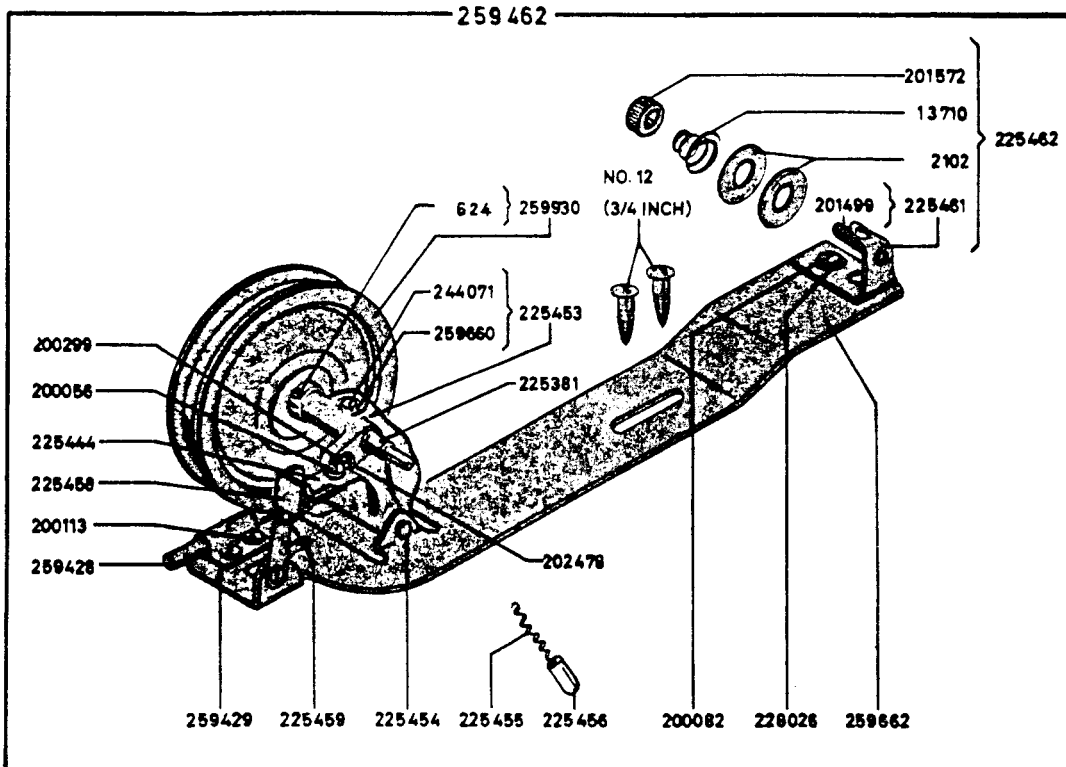
MACHINE 457 G 155

PARTS FOR MACHINE 457 G 155
 FOR PARTS NOT ILLUSTRATED AND/OR NOT
 INDICATED BY REFERENCE NUMBERS,
 REFER TO MACHINE 457 G 130 AND 457 G 135.



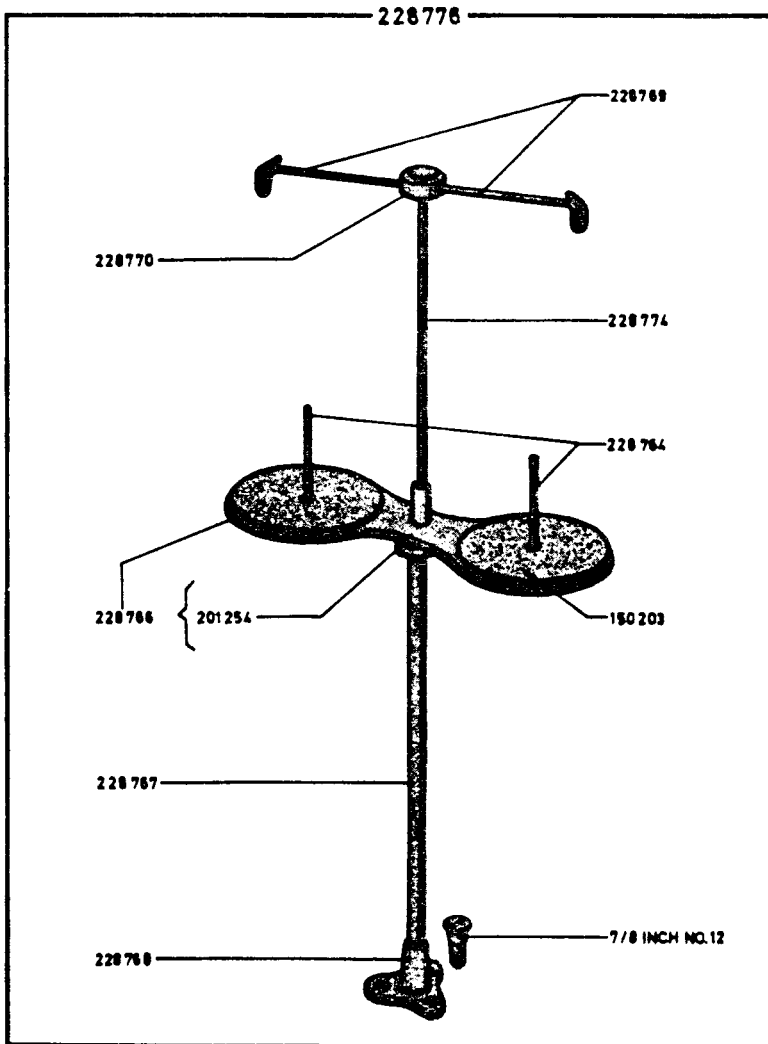


**ACCESSORIES FOR MACHINES
457 G 130, 457 G 135, 457 G 155 AND 457 GX6**



ACCESSORIES FOR MACHINES

457 G 130, 457 G 135, 457 G 155 AND 457 GX6



120440



225498



228476



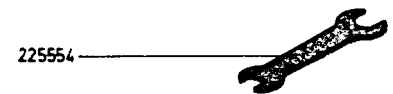
144465



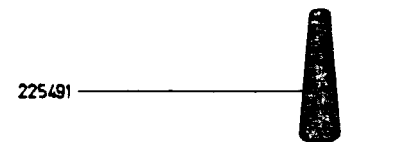
503669



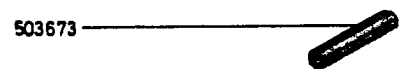
503645



225554

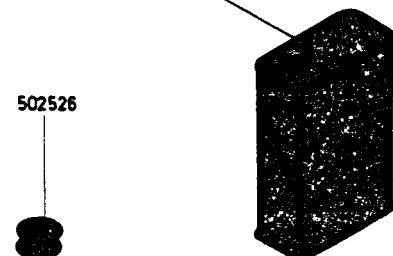


225491



503673

121741



502526

1906-12-1



1906-14-1



12361



176



231337



289



| FOR CLASS 457 G | | DESCRIPTION | FOR CLASS 457 G | | DESCRIPTION |
|-----------------|-----------------|--|-----------------|-----------------|---|
| PART NO. | 130 135 155 GX6 | | PART NO. | 130 135 155 GX6 | |
| NO. 12 | x x x x | BOBBIN WINDER WOOD SCREW (3/4 INCH) (2) | 051775-850 | - - x - | NEEDLE VIBRATING ADJUSTING LEVER STOP SCREW NUT (2) |
| NO. 12 | x x x x | THREAD UNWINDER WOOD SCREW (7/8 INCH) (3) | 120440 | x x x x | SCREW DRIVER |
| 000061-850 | x x x x | ROTARY TAKE-UP GUARD HINGE SCREW | 121741 | x x x x | ONE QUART CAN FILLED WITH LIGHT GRADE OIL |
| 000086-850 | x x x x | KNEE LIFTER LIFTING LINK SCREW | 140145-803 | x x x x | KNEE LIFTER ROCK FRAME HINGE SCREW |
| 000129-850 | - x x x | FEED REGULATING SHAFT INDICATOR LEVER PINCH SCREW | 140172-850 | x x x x | NEEDLE BAR CRANK STUD PINCH SCREW |
| 000160-850 | x x x x | ARM COVER (FRONT) SCREW (3) | 140346-833 | x x x x | FEED DRIVING CONNECTION CARRIER FRAME BEARING STUD (RIGHT) SET SCREW |
| 000160-850 | x x x x | NEEDLE BAR YOKE CONNECTING LINK HINGE BEARING PINCH SCREW | 140753-850 | - x x x | STITCH LENGTH INDICATOR PLATE SCREW (2) |
| 000160-850 | x x - x | NEEDLE POSITION ADJUSTING CAM SLIDING BLOCK BRACKET SCREW (2) | 141507-803 | x x x x | HOOK NEEDLE GUARD AND COUNTERBALANCE SCREW |
| 000160-850 | - x x x | FEED REGULATING CONNECTION SHAFT CRANK PINCH SCREW | 141525-806 | x x x x | HOOK GIB SCREW (3) |
| 000160-850 | - - x - | NEEDLE POSITION ADJUSTING ECCENTRIC SLIDE BLOCK BRACKET SCREW (2) | 141566-833 | x x x x | MACHINE PULLEY POSITION SCREW |
| 000176-850 | x x x x | ATTACHMENT SCREW | 141567-833 | x x x x | MACHINE PULLEY SET SCREW |
| 000190-850 | x x x x | BOBBIN CASE STOP SCREW | 143014 | x x x x | HOOK DRIVING SHAFT BEVEL GEAR WITH TWO 1259 |
| 000199-850 | x x x x | KNEE LIFTER ROCK FRAME HINGE STUD LOCK SCREW | 144465 | x x x x | WRENCH (1/8 INCH HEXAGON) |
| 000201-850 | x x x x | OIL SIGHT BODY SCREW (2) | 147151 | - - x - | TENSION RELEASING DISC |
| 000207-803 | x x x x | ARM HEAD OIL DRAIN WICK CLAMP SCREW (2) | 147152 | - - x - | TENSION SPRING |
| 000223-850 | x x x x | NEEDLE SET SCREW | 150203 | x x x x | THREAD UNWINDER SPOOL REST CUSHION (FELT) (2) |
| 000237-833 | x x x x | THREAD CUTTER (ON ROTARY TAKE-UP GUARD) SCREW | 182514-819 | x x x x | THREAD CUTTER (ON FACE PLATE) ADJUSTING SCREW NUT |
| 000238-850 | x x x x | NEEDLE BAR THREAD GUIDE SET SCREW | 200056-805 | x x x x | BOBBIN WINDER STOP LATCH SCREW |
| 000238-850 | x x x x | BED SLIDE SPRING SCREW (2) | 200082-804 | x x x x | BOBBIN WINDER TENSION BRACKET SCREW |
| 000289-850 | x x x x | CLOTH GUIDE THUMB SCREW | 200113-806 | x x x x | BOBBIN WINDER BRAKE CLAMP SCREW |
| 000449-830 | x x x x | FEED DRIVING ECCENTRIC SET SCREW | 200115-850 | x x x x | KNEE LIFTER LIFTING ROD COLLAR SET SCREW |
| 000457-830 | x x x x | HOOK OIL BYPASS PLUG SCREW | 200299-819 | x x x x | BOBBIN WINDER STOP LATCH TRIP HINGE SCREW |
| 000460-833 | x x x x | ARM SHAFT OIL SLINGER AND PINION SET SCREW | 200393-833 | x x x x | FEED DRIVING ROCK SHAFT COLLAR SET SCREW (4) |
| 000460-833 | x x x x | PRETENSION BRACKET SCREW | 200592-803 | x x x x | BOBBIN CASE CAP TENSION SPRING SCREW |
| 000460-833 | x x x x | THREAD PULL OFF SET SCREW | 200964-802 | x x x x | BOBBIN CASE LATCH STOP SCREW |
| 000624-833 | x x - x | NEEDLE BAR YOKE CONNECTING LINK CARRIER FRAME SLIDE STUD SET SCREW (2) | 201016-803 | x x x x | BOBBIN CASE CAP TENSION SPRING REGULATING SCREW |
| 000624-833 | x x x x | FEED BAR HINGE PIN SET SCREW (2) | 201254-803 | x x x x | THREAD UNWINDER SPOOL REST SET SCREW |
| 000624-833 | x x x x | BOBBIN WINDER PULLEY SET SCREW | 201499-819 | x x x x | BOBBIN WINDER TENSION STUD |
| 000690-850 | - - x - | NEEDLE VIBRATING ADJUSTING SHAFT CLAMPING BRACKET PINCH SCREW | 201572-819 | x x x x | BOBBIN WINDER TENSION STUD THUMB NUT |
| 000792-850 | x x - x | NEEDLE POSITION ADJUSTING LEVER SCREW (2) | 202079 | x - x - | TENSION FELT WASHER (2) |
| 000858-833 | x x x x | BED SHAFT BUSHING (FRONT, CENTER, BACK) SET SCREW (3) | 202476 | x x x x | BOBBIN WINDER STOP LATCH TRIP LEVER |
| 000858-833 | x x x x | HOOK DRIVING SHAFT BUSHING SET SCREW | 202244 | x x x x | FEED DRIVING ROCK SHAFT COLLAR (2) WITH TWO EACH 200393 |
| 000858-833 | x x x x | HOOK SHAFT PRESSURE BUSHING SET SCREW | 210505 | x x x x | BED PLATE (BACK) |
| 000998-833 | x x x x | OIL RETURN TUBE SCREW | 210735 | x x x x | BOBBIN CASE LATCH FULCRUM PIN |
| 001147-850 | - - x - | NEEDLE VIBRATING ADJUSTING GUIDE CRANK SET SCREW | 210736 | x x x x | BOBBIN CASE LATCH SPRING |
| 001177-850 | x x x x | FEED DRIVING CONNECTION CRANK PINCH SCREW | 210913 | x x x x | BOBBIN CASE LATCH |
| 001186-850 | x x x x | OIL PUMP MOUNTING SCREW (2) | 210958 | x x x x | PRETENSION BRACKET COLLAR |
| 001258-830 | x x x x | OIL PUMP DRIVING GEAR SET SCREW (2) | 210993 | x x x x | PRETENSION BRACKET SLEEVE |
| 001259-830 | x x x x | NEEDLE BAR CRANK STUD POSITION SCREW | 214206 | x x x x | ARM SHAFT CONNECTION BELT PULLEY SPRING FLANGE |
| 001259-830 | x x x x | BED SHAFT GEAR SET SCREW (2) | 225381 | x x x x | BOBBIN WINDER SPINDLE |
| 001259-830 | x x x x | HOOK DRIVING SHAFT HELICAL GEAR SET SCREW (2) | 225444 | x x x x | BOBBIN WINDER STOP LATCH |
| 001259-830 | x x x x | HOOK DRIVING SHAFT BEVEL GEAR SET SCREW (2) | 225453 | x x x x | BOBBIN WINDER FRAME WITH 244071 AND 259660 |
| 001259-830 | x x x x | HOOK SHAFT BEVEL GEAR SET SCREW (2) | 225454 | x x x x | BOBBIN WINDER FRAME HINGE PIN |
| 001266-830 | x x x x | NEEDLE VIBRATING WORM WHEEL SET SCREW (4) | 225455 | x x x x | BOBBIN WINDER FRAME SPRING |
| 001349-850 | x x x x | PRESSER BAR LIFTER HINGE SCREW | 225456 | x x x x | BOBBIN WINDER FRAME SPRING PLUNGER |
| 001454-850 | x x x x | ROTARY TAKE-UP GUARD SCREW (SHORT) | 225458 | x x x x | BOBBIN WINDER STOP LATCH THUMB LEVER |
| 001472-850 | x x x x | HOOK SHAFT BUSHING (FRONT) SET SCREW (3) | 225459 | x x x x | BOBBIN WINDER STOP LATCH THUMB LEVER HINGE AND JOINT STUD (2) |
| 001485-850 | x x x x | ROTARY TAKE-UP GUARD SCREW (LONG) | 225461 | x x x x | BOBBIN WINDER TENSION BRACKET WITH 201499 |
| 001529-850 | x x x x | SPRING CATCH SCREW NUT | 225462 | x x x x | BOBBIN WINDER TENSION BRACKET WITH 13710, 201572, 225461 AND TWO 2102 |
| 001560-850 | x x - x | TENSION THUMB NUT | 225491 | x x x x | MACHINE REST PIN (WOOD) |
| 001654-850 | x x x x | THREAD RETAINER LOCK NUT | 225498 | x x x x | SCREW DRIVER |
| 001664-850 | x x x x | NEEDLE VIBRATING CAM ROLLER STUD NUT | 225554 | x x x x | WRENCH |
| 001747-850 | x x x x | TENSION RELEASER ADJUSTING SCREW LOCK NUT | 227227 | x x x x | KNEE LIFTER LIFTING ROD COLLAR WITH 200113 |
| 1906-12-1 | x x x x | NEEDLE (3) | 228026 | x x x x | BOBBIN WINDER TENSION BRACKET SCREW WASHER |
| 1906-14-1 | x x x x | NEEDLE (1-2) | 228364 | x x x x | KNEE LIFTER KNEE PLATE WITH 350251 |
| 002102 | - - x - | TENSION DISC (2) | 228476 | x x x x | SCREW DRIVER (BOBBIN CASE) |
| 002102 | x x x x | BOBBIN WINDER TENSION DISC (2) | 228764 | x x x x | THREAD UNWINDER SPOOL PIN (2) |
| 012361 | x x x x | MACHINE HINGE CONNECTION (2) | 228766 | x x x x | THREAD UNWINDER SPOOL REST WITH 201254 |
| 013710 | x x x x | BOBBIN WINDER TENSION SPRING | 228767 | x x x x | THREAD UNWINDER SPOOL REST ROD |
| 032574 | - - x - | TENSION RELEASING PIN | 228768 | x x x x | THREAD UNWINDER SPOOL STAND |
| 050150-833 | x x x x | FEED REVERSING FOOT CONTROL LEVER PIN COLLAR SET SCREW | 228769 | x x x x | THREAD UNWINDER THREAD GUIDE (2) |
| 050305-850 | x x x x | TENSION STUD SET SCREW | 228770 | x x x x | THREAD UNWINDER THREAD GUIDE HOLDER |
| 050311-830 | x x x x | OIL PUMP GEAR SET SCREW (2) | 228774 | x x x x | THREAD UNWINDER THREAD GUIDE ROD |
| 050429-833 | x x x x | PRETENSION BRACKET SCREW | 228776 | x x x x | THREAD UNWINDER CPL. (FOR TWO SPOOLS) 228766, 228767, 228768, 228770, 228774, TWO EACH 150203, 228764, 228769 AND THREE WOOD SCREWS NO. 12 (3/8 INCH) |
| 050429-833 | x x x x | THREAD CUTTER (ON FACE PLATE) ADJUSTING SCREW | 230743 | x x x x | HINGE SCREW THRUST WASHER |
| 050578-850 | x x x x | FEED BAR LIFTING LINK HINGE PIN PINCH SCREW | 231337 | x x x x | CLOTH GUIDE |
| 050624-830 | x x x x | FEED DOG SCREW (2) | 244071 | x x x x | BOBBIN WINDER FRAME OIL PACKING (WICK) |
| 051334-830 | - x x x | FEED REGULATING CONNECTION SHAFT COLLAR SET SCREW (2) | 259428 | x x x x | BOBBIN WINDER BRAKE (LEATHER) |
| 051369-850 | - - x - | NEEDLE VIBRATING ADJUSTING CRANK PINCH SCREW | 259429 | x x x x | BOBBIN WINDER BRAKE CLAMP |
| 051369-850 | x x x x | NEEDLE BAR CONNECTING STUD GUIDE BLOCK SCREW (2) | 259462 | x x x x | UNIVERSAL BOBBIN WINDER CPL. 200056, 200082, 200113, 200299, 202478, 225381, 225444, 225453 TO 225456, 225458, 225462, 228026, 259428, 259429, 259662, 259930, TWO EACH 225459 AND WOOD SCREW NO. 12 (3/4 INCH) |
| 051369-850 | x x x x | NEEDLE BAR CONNECTING LINK CLAMPING PLATE SCREW (2) | 259660 | x x x x | BOBBIN WINDER FRAME OIL WELL WASHER |
| 051369-850 | x x x x | PRESSER BAR POSITION GUIDE PINCH SCREW | 259662 | x x x x | BOBBIN WINDER AND TENSION BRACKET BASE |
| 051369-850 | x x x x | FEED DRIVING CONNECTION CARRIER FRAME SLIDE STUD SET SCREW | 259930 | x x x x | BOBBIN WINDER PULLEY WITH 624 |
| 051388-850 | x x x x | FEED BAR LIFTING LINK HINGE PIN CAP SCREW | 270086 | x x - x | TENSION RELEASING PIN |
| | | | 270161 | x x x x | NEEDLE BAR CRANK STUD PIN |
| | | | 270266 | x x x x | NEEDLE BAR CONNECTING LINK NEEDLE BEARING |
| | | | 271808 | x x x x | HOOK SHAFT OIL FILTER WICK HOLDER SEAL |
| | | | 272128 | x x x x | ROTARY TAKE-UP GUARD COVER WINDOW |

| FOR CLASS 457 G 130 135 155 GX6 | | DESCRIPTION | FOR CLASS 457 G 130 135 155 GX6 | | DESCRIPTION |
|------------------------------------|---------|--|------------------------------------|---------|--|
| PART NO. | | | PART NO. | | |
| 272142 | x x x x | MACHINE PULLEY BALL BEARING | 500325-850 | x x x x | MACHINE BASE AND OIL RESERVOIR PLUG SCREW |
| 272143 | x x x x | ARM SHAFT BALL BEARING | 500332-850 | x x x x | KNEE LIFTER ROCK SHAFT HUB PINCH SCREW (2) |
| 272144 | x x x x | BED SHAFT BALL BEARING | 500367-850 | - - x - | NEEDLE POSITION ADJUSTING ECCENTRIC STOP SCREW (2) |
| 272208 | x x x x | PRETENSION BRACKET SPRING | 500785-850 | x x x x | KNEE LIFTER CONTROL SHAFT CRANK STOP SCREW NUT |
| 272209 | x x x x | TENSION BRACKET STUD | 500786-850 | x x x x | HOOK OIL BYPASS PLUG SCREW NUT |
| 272218 | x x - x | TENSION RELEASE DISC | 502505 | x x x x | ARM HEAD OIL DRAIN WICK CLAMP (FRONT) |
| 272219 | x x - x | TENSION SPRING | 502506 | x x x x | OIL PUMP DRIVING GEAR |
| 272221 | x x - x | TENSION WHEEL | 502508 | x x x x | ARM SHAFT CONNECTION BELT |
| 276025 | x x x x | PRESSER BAR BALL | 502509 | x x x x | ARM SHAFT CONNECTION BELT PULLEY |
| 276027 | x x x x | PRESSER BAR LIFTER | 502510 | x x x x | ARM SHAFT OIL SHIELD |
| 276051 | x x x x | THREAD GUIDE (ON FACE PLATE) | 502511-002 | x x x x | ARM SHAFT OIL SLINGER AND PINION SPACER |
| 276114 | x x x x | NEEDLE BAR CONNECTING LINK THRUST WASHER | 502515 | x x x x | BED SHAFT BUSHING (FRONT) |
| 276225 | x x x x | TENSION STUD | 502516 | x x x x | BED SHAFT BUSHING OIL WICK |
| 276236 | x x x x | HOOK SHAFT OIL FILTER WICK HOLDER | 502517 | x x x x | BED CONNECTION BELT PULLEY |
| 276508 | x x x x | ROTARY TAKE-UP GUARD SPRING CATCH | 502518-002 | x x x x | BED CONNECTION BELT PULLEY SPACER |
| 276536 | x x x x | PRESSER BAR BUSHING | 502519 | x x x x | BED SHAFT GEAR |
| 350231-850 | x x x x | KNEE LIFTER KNEE PLATE SET SCREW | 502521 | x x x x | BED SHAFT GEAR BOX COVER GASKET |
| 500067-830 | x x - x | NEEDLE POSITION ADJUSTING CAM STOP SCREW SET SCREW (2) | 502522 | x x x x | BED SLIDE |
| 500067-830 | - - x - | NEEDLE POSITION ADJUSTING ECCENTRIC STOP SCREW SET SCREW (2) | 502526 | x x x x | BOBBIN (1) (2) |
| 500104-850 | x x x x | ARM OIL SHIELD (AERATED PLASTIC) RETAINER SCREW (2) | 502527 | x x x x | BOBBIN CASE BASE |
| 500115-850 | x x x x | OIL DISTRIBUTOR PLATE SCREW | 502528 | x x x x | BOBBIN CASE CAP |
| 500212-833 | x x x x | FEED DRIVING CONNECTION CARRIER FRAME BEARING STUD (LEFT) SET SCREW | 502529 | x x x x | BOBBIN CASE LATCH CPL. 210735, 210913 AND 502717 |
| 500244-850 | x x x x | ROTARY TAKE-UP SCREW (2) | 502530 | x x x x | BOBBIN CASE CAP CPL. 200964, 210736, 502529 AND 502716 |
| 500244-850 | x x x x | BED PLATE SCREW (BACK) (2) | 502531 | x x x x | BOBBIN CASE CPL. 502527 AND 502530 |
| 500244-850 | x x x x | THROAT PLATE SCREW (2) | 502532 | x x x - | HOOK BODY WITH 502563 |
| 500245-805 | x x x x | BED SHAFT GEAR BOX OVERFLOW AND DRAIN PLUG SCREW | 502533 | x x x x | HOOK DRIVING SHAFT BUSHING OIL WICK |
| 500246-850 | x x x x | THREAD GUIDE SCREW (2) | 502534 | x x x - | HOOK AND BOBBIN CASE CPL. 502531 AND 502562 |
| 500246-850 | x x x x | FACE PLATE SCREW (8) | 502536 | x x x x | BOBBIN CASE STOP |
| 500246-850 | x x x x | ROTARY TAKE-UP GUARD SPRING CATCH SCREW | 502537 | x x x - | FACE PLATE |
| 500247-833 | x x x x | HOOK OIL REGULATING SCREW | 502538 | x x x x | HOOK GIB |
| 500248-001 | x x x x | ARM PLUG SCREW | 502539-002 | x x x - | HOOK NEEDLE GUARD COUNTERBALANCE |
| 500250-850 | x x x x | MACHINE LEG SCREW (2) | 502540-002 | x x x x | FEED BAR |
| 500251-850 | x x x x | NEEDLE BAR CONNECTING STUD PINCH SCREW | 502541 | x x x x | FEED BAR HINGE PIN |
| 500256-850 | x x x x | PRESSER FOOT SCREW | 502542 | x x x x | FEED BAR HINGE PIN OILING FELT |
| 500257-850 | x x x x | FEED DRIVING ROCK SHAFT CRANK PINCH SCREW | 502544 | x x x x | FEED BAR HINGE PIN THRUST WASHER (2) |
| 500259-803 | x x x x | TENSION RELEASER ADJUSTING SCREW | 502545 | x x x x | FEED BAR LIFTING LINK |
| 500260-830 | x x x x | PRESSER BAR SPRING SCREW | 502546 | x x x x | FEED BAR LIFTING LINK HINGE PIN |
| 500261-850 | x x x x | PRESSER BAR SPRING SCREW STUD | 502558 | x x x x | FEED DRIVING ROCK SHAFT BUSHING (BACK) |
| 500262-833 | x x x x | THREAD GUIDE (ON FACE PLATE) SCREW | 502559 | x x x x | FEED DRIVING ROCK SHAFT CRANK WITH 500257 |
| 500262-833 | x x x x | THREAD CUTTER (ON FACE PLATE) SCREW | 502560-002 | x x x x | FEED DRIVING ROCK SHAFT OIL WICK |
| 500263-850 | x x x x | HOOK SHAFT GEAR BOX COVER SCREW (4) | 502562 | x x x - | HOOK CPL. 141507, 502532, 502538, 502539-002, TWO 500306 AND THREE 141525 |
| 500263-850 | x x x x | BED SHAFT GEAR BOX COVER SCREW (6) | 502563 | x x x x | HOOK OIL RETAINING WASHER |
| 500264-830 | x x x x | HOOK SHAFT BUSHING FRONT SET SCREW | 502565 | x x x x | HOOK DRIVING SHAFT |
| 500265-833 | x x x x | THREAD REGULATOR SET SCREW | 502566 | x x x x | HOOK DRIVING SHAFT BUSHING |
| 500267-850 | x x x x | ARM COVER (TOP) SCREW (LONG) (2) | 502567 | x x x x | HOOK DRIVING SHAFT HELICAL GEAR |
| 500267-850 | - - x - | NEEDLE VIBRATING CAM SHAFT BUSHING (BACK) SCREW (2) | 502568 | x x x x | HOOK SHAFT |
| 500268-850 | x x x x | ARM COVER (BACK) SCREW (6) | 502569 | x x x x | HOOK SHAFT BEVEL GEAR |
| 500268-850 | x x x x | ARM COVER (TOP) SCREW (SHORT) (2) | 502572 | x x x x | HOOK SHAFT BUSHING CAP GASKET |
| 500268-850 | x x x x | OIL GUARD SCREW (2) | 502573 | x x x x | HOOK SHAFT GEAR BOX COVER |
| 500268-850 | x x x x | FEED DRIVING CONNECTION CARRIER FRAME STOP SCREW (2) | 502574 | x x x x | HOOK SHAFT GEAR BOX COVER GASKET |
| 500271-833 | x x x x | KNEE LIFTER CONTROL SHAFT CRANK STOP SCREW | 502575 | x x x x | HOOK SHAFT GEAR BOX OIL PIPE |
| 500272-830 | x x x x | ARM SHAFT CONNECTION BELT PULLEY SET SCREW | 502576-002 | x x x x | HOOK SHAFT GEAR BOX OIL PIPE |
| 500274-830 | x x x x | ARM SHAFT CONNECTION BELT PULLEY POSITION SCREW | 502577 | x x x x | NEEDLE VIBRATING CAM SHAFT BUSHING (FRONT) SET SCREW PLUG |
| 500275-850 | x x x x | TENSION RELEASER HINGE SCREW | 502577 | x x x x | HOOK SHAFT GEAR BOX PLUG |
| 500287-850 | x x x x | ROTARY TAKE-UP GUARD COVER WINDOW SCREW | 502581 | x x x x | HOOK SHAFT PRESSURE BUSHING |
| 500296-833 | x x x x | NEEDLE POSITION ADJUSTING CAM REGULATING STUD SET SCREW | 502582 | x x x x | HOOK SHAFT PRESSURE BUSHING OIL WICK |
| 500296-833 | - - x - | NEEDLE VIBRATING ADJUSTING LEVER STOP SCREW (LEFT) | 502583 | x x x x | KNEE LIFTER KNEE PLATE ARM |
| 500298-850 | x x - x | NEEDLE POSITION ADJUSTING CAM STOP SCREW (2) | 502584 | x x x x | KNEE LIFTER LIFTING LINK |
| 500299-850 | - - x - | NEEDLE VIBRATING ADJUSTING LEVER STOP SCREW (RIGHT) | 502586 | x x x x | KNEE LIFTER LIFTING ROD SPRING |
| 500300-850 | - - x - | NEEDLE VIBRATING ADJUSTING SHAFT RETAINER SCREW | 502587-002 | x x x x | KNEE LIFTER PLUNGER |
| 500300-850 | - - x - | NEEDLE VIBRATING ADJUSTING LEVER SCREW | 502589 | x x x x | KNEE LIFTER ROCK SHAFT |
| 500301-850 | x x x x | NEEDLE VIBRATING CAM SCREW (2) | 502591 | x x x x | KNEE LIFTER ROCK SHAFT HUB |
| 500301-850 | x x x x | NEEDLE VIBRATING WORM GEAR SCREW (2) | 502593 | x x x x | MACHINE LEG (REAR) |
| 500302-803 | x x - x | NEEDLE BAR YOKE CONNECTING LINK CARRIER FRAME BUSHING SET SCREW (2) | 502594 | x x x x | NEEDLE BAR OIL FELT CORD |
| 500302-803 | - - x - | NEEDLE POSITION ADJUSTING ECCENTRIC STOP SCREW (2) | 502597 | x x x x | NEEDLE BAR THREAD GUIDE |
| 500303-830 | x x x x | NEEDLE VIBRATING CAM SHAFT BUSHING (FRONT) SET SCREW | 502598 | x x x - | NEEDLE BAR CONNECTING LINK WITH 270266 |
| 500306-830 | x x x x | HOOK SET SCREW (2) | 502600 | x x x x | NEEDLE BAR CONNECTING LINK GUIDE BLOCK |
| 500307-850 | x x x x | ARM SHAFT BUSHING (CENTER) SCREW | 502601 | x x x x | NEEDLE BAR CONNECTING LINK CLAMP PLATE |
| 500308-830 | x x x x | FEED DRIVING ECCENTRIC POSITION SCREW | 502602 | x x x - | NEEDLE BAR CONNECTING STUD |
| 500309-850 | - x x x | FEED REGULATING SHAFT INDICATOR STOP SCREW (2) | 502603 | x x x x | NEEDLE BAR CONNECTING STUD OIL WICK |
| 500310-833 | - x x x | FEED REGULATING SHAFT INDICATOR STOP SCREW RETAINING SPRING SCREW | 502604 | x x x - | NEEDLE BAR CONNECTING STUD GUIDE BLOCK |
| 500312-850 | x x x x | SINGER LIGHT STUD HOLE SCREW PLUG (FOR UN-USED HOLE) | 502606 | x x x x | FEED REVERSING FOOT CONTROL LEVER PIN COLLAR 502935 WITH 50150 |
| 500315-830 | x x x x | NEEDLE BAR YOKE GUIDE SET SCREW (2) | 502607 | x x x - | NEEDLE BAR CRANK STUD |
| 500319-830 | x x x x | BED CONNECTION BELT PULLEY SET SCREW (2) | 502608 | x x x x | NEEDLE BAR OIL FELT |
| 500320-830 | x x x x | ARM HEAD OIL DRAIN WICK SLINGER SET SCREW (2) | 502610 | x x x x | HOOK SHAFT BUSHING (FRONT) |
| | | | 502611 | x x x x | HOOK SHAFT BUSHING CAP |
| | | | 502616 | x x x x | NEEDLE BAR YOKE CONNECTING LINK HINGE BEARING WITH 160 |
| | | | 502622 | x x x x | ROTARY TAKE-UP GUARD HINGE SCREW SPRING WASHER |
| | | | 502635-002 | x x x x | OIL DELIVERY TUBE |
| | | | 502641 | x x x x | MACHINE BASE AND OIL RESERVOIR STATIC GROUNDING CONTACT |
| | | | 502642 | x x x x | MACHINE BASE AND OIL RESERVOIR STATIC GROUNDING CONTACT WIRE |
| | | | 502643 | x x x x | OIL PUMP BODY |

| FOR CLASS 457 G | | DESCRIPTION | FOR CLASS 457 G | | DESCRIPTION |
|-----------------|-----------------|---|-----------------|-----------------|---|
| PART NO. | 130 135 155 GX6 | | PART NO. | 130 135 155 GX6 | |
| 502644 | x x x x | OIL PUMP GEAR | 502775 | - - x - | NEEDLE VIBRATING ADJUSTING BRACKET |
| 502645 | x x x x | PRESSER BAR POSITION GUIDE | 502776 | - - x - | NEEDLE VIBRATING ADJUSTING BRACKET |
| 502646 | x x x x | OIL PUMP SCREW SHAFT | | | STUD (2) |
| 502647-002 | x x x x | OIL RETURN TUBE UPPER SHORT | 502776 | - - x - | NEEDLE POSITION ADJUSTING ECCENTRIC |
| 502648-002 | x x x x | OIL RETURN TUBE LOWER LONG | | | BUSHING SMALL SLIDE BLOCK STUD |
| 502650-002 | x x x x | OIL SIGHT BODY AND WICK 502651 | 502777 | - - x - | NEEDLE VIBRATING ADJUSTING GUIDE CRANK |
| 502651 | x x x x | OIL SIGHT WICK | 502778 | - - x - | NEEDLE VIBRATING ADJUSTING GUIDE |
| 502653 | x x x x | PRESSER BAR SPRING | | | CRANK 502777 WITH 1147 |
| 502654 | x x x x | PRETENSION BRACKET | 502779 | - - x - | NEEDLE VIBRATING ADJUSTING CRANK |
| 502655 | x x x x | ROTARY TAKE-UP | 502780 | - - x - | NEEDLE VIBRATING ADJUSTING CRANK |
| 502656 | x x x x | ROTARY TAKE-UP GUARD | | | 502779 WITH 51369 |
| 502657 | x x x x | ROTARY TAKE-UP GUARD COVER | 502781 | - - x - | NEEDLE POSITION ADJUSTING ECCENTRIC |
| 502658 | x x x x | PRETENSION BRACKET CPL. 210955, 210993, 272208, 272209 AND 502699 | 502782 | - - x - | NEEDLE VIBRATING ADJUSTING BRACKET |
| 502659 | x x x x | ROTARY TAKE-UP MOUNTING DISC | | | SLIDE BLOCK |
| 502660-002 | x x x x | TENSION RELEASER | 502783 | - - x - | NEEDLE VIBRATING ADJUSTING GUIDE |
| 502661-002 | x x x x | TENSION RELEASER CPL. 1747, 500259 AND 502660-002 | | | CRANK SHAFT |
| 502662 | x x x x | TENSION RELEASER SPRING | 502784 | - - x - | NEEDLE VIBRATING ADJUSTING CRANK |
| 502663 | x x - x | TENSION CPL. 1560, 270086, 272218, 272219, 272221, 274225, 502668, 502698 AND TWO 202079 | 502785 | x x x x | SHAFT |
| 502665 | x x x x | THREAD GUIDE | 502786 | x x x x | NEEDLE BAR YOKE CONNECTING LINK |
| 502666 | x x x x | THREAD PULL OFF | 502788 | - - x - | HINGE BEARING STUD |
| 502667 | x x x x | THREAD RETAINER | | | KNEE LIFTER ROCK FRAME |
| 502668 | x x x x | THREAD TAKE-UP SPRING | 502789 | - - x - | NEEDLE VIBRATING ADJUSTING SHAFT |
| 502669 | x x x x | THREAD TAKE-UP SPRING REGULATOR | | | RETAINER |
| 502670 | x x x x | THREAD CLUTTER FOR ROTARY TAKE-UP GUARD | 502790 | x x - x | NEEDLE BAR YOKE CONNECTING LINK |
| 502672 | x x x x | NEEDLE BAR YOKE BEARING BACK | 502791 | - - x - | CARRIER FRAME STUD |
| 502674 | x x x x | NEEDLE BAR YOKE BEARING FRONT | | | NEEDLE POSITION ADJUSTING LEVER |
| 502675-002 | x x x x | FEED DRIVING ROCK SHAFT CRANK CPL. 51386, 502541, 502547, 502544, 502548, 502546, 502710 AND 502711-002 | 502792 | - - x - | NEEDLE POSITION ADJUSTING ECCENTRIC |
| 502676 | x x x x | HOOK SHAFT PRESSURE BUSHING 502581 WITH 502582 | 502793 | - - x - | SLIDE BLOCK BRACKET |
| 502677 | x x x x | HOOK SHAFT WITH OIL FILTER CPL. 271806, 274236, 502568, 502928 AND 502958 | 502793 | - - x - | NEEDLE VIBRATING CAM ROLLER GUIDE |
| 502679 | x x x x | KNEE LIFTER ROCK FRAME HINGE STUD PIN | 502799 | x x x x | COMPENSATING LINK STUD SNAP RING (2) |
| 502681-002 | x x x x | ARM SHAFT WITH 1259, 140170 AND 502725-002 | 502800 | - - x - | NEEDLE POSITION ADJUSTING ECCENTRIC |
| 502682 | x x x x | ARM SHAFT CONNECTION BELT PULLEY CPL. 214206, 500272, 500274 AND 502509 | 502801 | - - x - | BUSHING (SMALL SLIDE BLOCK STUD |
| 502687-002 | x x x - | NEEDLE BAR YOKE WITH OIL BELT CPL. 502594, 502608 AND 502688-002 | 502802 | x x x x | SNAP RING |
| 502688-002 | x x x - | NEEDLE BAR YOKE | 502802 | - - x - | NEEDLE VIBRATING ADJUSTING BRACKET |
| 502693 | x x x - | NEEDLE BAR CONNECTING STUD WITH 500251, 502602 AND 502603 | 502803 | - - x - | STUD SNAP RING (2) |
| 502694 | x x x - | NEEDLE BAR CRANK STUD WITH 270161 AND 502607 | 502805 | - - x - | MACHINE BASE AND OIL RESERVOIR DRAIN |
| 502696 | x x x x | PRESSER BAR POSITION GUIDE WITH 51369 AND 502645 | 502806 | x x x x | PLUG SCREW GASKET |
| 502698 | x x x x | THREAD TAKE-UP SPRING REGULATOR 502669 WITH 50305 | 502811 | x x x x | NEEDLE BAR YOKE CONNECTION LINK |
| 502699 | x x x x | PRETENSION BRACKET WITH 460 AND 502654 | 502817 | x x x x | CARRIER FRAME DISC SPRING |
| 502702 | x x x x | OIL PUMP GEAR WITH 502644 AND TWO 500211 | 502818 | x x x x | NEEDLE VIBRATING CAM ROLLER GUIDE |
| 502703 | x x x x | BED SHAFT BUSHING FRONT 502610 WITH 502516 | 502819 | - - x - | COMPENSATING LINK STUD |
| 502704 | x x x x | BED CONNECTION BELT PULLEY WITH 502517 AND TWO 500319 | 502820 | - - x - | NEEDLE BAR YOKE CONNECTING LINK |
| 502705 | x x x x | OIL PUMP DRIVING GEAR WITH 502506 AND TWO 1036 | 502822 | x x x x | HINGE BEARING STUD SNAP RING (2) |
| 502710 | x x x x | FEED DRIVING ROCK SHAFT CRANK WITH 502559 AND TWO 624 | 502823 | x x x x | CARRIER FRAME SNAP RING |
| 502711-002 | x x x x | FEED BAR 502540-002 WITH PINCH SCREW 50378 | 502824 | x x x x | NEEDLE VIBRATING ADJUSTING LEVER |
| 502712 | x x x x | BED SHAFT GEAR WITH 502519 AND TWO 1259 | 502825 | x x x x | NEEDLE BAR YOKE CONNECTING LINK |
| 502713 | x x x x | HOOK DRIVING SHAFT BUSHING WITH 502533 AND 502566 | 502826 | x x x x | CARRIER FRAME |
| 502714 | x x x x | HOOK DRIVING SHAFT HELICAL GEAR 502567 WITH TWO 1259 | 502829 | - x x x | ARM COVER (BACK) |
| 502715 | x x x x | HOOK SHAFT BEVEL GEAR 502569 WITH TWO 1259 | 502830 | x x x x | ARM COVER (TOP) |
| 502716 | x x x x | BOBBIN CASE CAP CPL. 200592, 201016, 502528 AND 508530 | 502830 | - x x x | NEEDLE BAR YOKE CONNECTING LINK |
| 502717 | x x x x | BOBBIN CASE LATCH LEVER | 502831 | x x x x | HINGE BEARING WITH 502616 AND TWO |
| 502720 | x x x x | KNEE LIFTER ROCK SHAFT HUB 502591 WITH TWO 500332 | 502832 | x x x x | 502757 |
| 502723-002 | x x x x | ARM SHAFT CRANK WITH NEEDLE BAR CRANK | 502833 | x x x x | HOOK GEAR BOX VENT CAP |
| 502736 | - - x - | NEEDLE VIBRATING ADJUSTING BRACKET CPL. 502775, 502776, 502780 AND TWO EACH 502776 AND 502793 | 502834 | x x x x | NEEDLE BAR YOKE CONNECTING LINK |
| 502751 | x x x x | NEEDLE VIBRATING CAM SHAFT BUSHING (BACK) PLUG | 502835 | - - x - | CARRIER FRAME CPL. 502789, 502805, 502850, 502857 AND TWO 624 |
| 502752 | x x x x | BED SHAFT BUSHING (CENTER) OIL TUBE PLUG | 502836 | x x x x | NEEDLE POSITION ADJUSTING ECCENTRIC |
| 502752 | x x x x | BED SHAFT PLUG | 502837 | x x x x | CPL. 502776, 502781, 502793 AND TWO |
| 502757 | x x x x | NEEDLE BAR YOKE CONNECTING LINK HINGE BEARING BUSHING (2) | 502838 | x x x x | EACH 500302 AND 502762 |
| 502758 | x x x x | KNEE LIFTER ROCK FRAME HINGE STUD | 502839 | x x x x | KNEE LIFTER ROCK FRAME WITH 502679, 502756 AND 502786 |
| 502760 | x x x x | NEEDLE VIBRATING CAM SHAFT BUSHING (FRONT) PLUG | 502840 | x x x x | KNEE LIFTER LIFTING ROD WITH TWO 502830 |
| 502762 | - - x - | NEEDLE POSITION ADJUSTING ECCENTRIC BUSHING (SMALL) SNAP RING (2) | 502841 | x x x x | HOOK DRIVING SHAFT PLUG |
| 502763 | x x x x | ARM SHAFT BUSHING (CENTER) | 502843 | x x x x | (FOR UN-USED BED HOLE) |
| 502764 | x x x x | OIL GUARD | 502844 | x x x x | NEEDLE VIBRATING CAM SHAFT BUSHING |
| 502770 | x x x x | ARM COVER (FRONT) GASKET | 502845 | x x x x | (FRONT) |
| 502772 | x x x x | NEEDLE POSITION ADJUSTING CAM REGULATING STUD | 502847 | x x x x | FEED DRIVING ROCK SHAFT BUSHING |
| | | | 502848 | x x x x | (FRONT) |
| | | | 502849 | - x x x | FEED DRIVING CONNECTION CARRIER |
| | | | | | FRAME SPRING STUD GRIP RING |
| | | | | | ARM SHAFT BUSHING (CENTER) SCREW PLUG |
| | | | | | FEED REGULATING SHAFT PLUG |
| | | | | | (FOR UN-USED HOLE) |
| | | | | | ARM COVER (BACK) GASKET |
| | | | | | ARM OIL SHIELD (AERATED PLASTIC) RETAINER |
| | | | | | NEEDLE VIBRATING ADJUSTING LEVER |
| | | | | | OIL GUIDE |
| | | | | | BED SHAFT WITH 502752 AND 502837 |
| | | | | | BED SHAFT |
| | | | | | BED SHAFT BUSHING (BACK) |
| | | | | | FEED DRIVING ECCENTRIC WITH 449, 500308 AND 502840 |
| | | | | | FEED DRIVING ECCENTRIC |
| | | | | | FEED DRIVING CONNECTION CPL. 502843, 502844, 502847, TWO 502845 AND FOUR 507063 |
| | | | | | FEED DRIVING CONNECTION LEVER |
| | | | | | FEED DRIVING CONNECTION LINK |
| | | | | | FEED DRIVING CONNECTION LEVER HINGE PIN (2) |
| | | | | | FEED DRIVING CONNECTION CRANK WITH 1177 AND 502848 |
| | | | | | FEED DRIVING CONNECTION |
| | | | | | FEED REGULATING SHAFT INDICATOR STOP SCREW RETAINING SPRING |

| FOR CLASS 457 G 130 135 155 GX6 | | | FOR CLASS 457 G 130 135 155 GX6 | | |
|------------------------------------|---------|--|------------------------------------|---------|--|
| PART NO. | | DESCRIPTION | PART NO. | | DESCRIPTION |
| 502850 | x x - x | NEEDLE BAR YOKE CONNECTING LINK SLIDE BEARING | 502949 | - x x x | FEED DRIVING CONNECTING CARRIER FRAME SPRING STUD |
| 502850 | x x x x | FEED DRIVING CONNECTION LEVER SLIDE BEARING | 502951-850 | x - - - | NEEDLE POSITION ADJUSTING CAM SET SCREW |
| 502853 | - x x x | FEED DRIVING CONNECTION CARRIER FRAME CPL. 51369, 502850, 502854, 502857, 502858 AND 502949 | 502952 | x x - x | NEEDLE BAR YOKE CONNECTING LINK CARRIER FRAME CPL. 502850, 502857, 502953 AND TWO 624 |
| 502854 | x x x x | FEED DRIVING CONNECTION CARRIER FRAME | 502953 | x x - x | NEEDLE BAR YOKE CONNECTING LINK CARRIER FRAME |
| 502857 | x x - x | NEEDLE BAR YOKE CONNECTING LINK CARRIER FRAME SLIDE STUD | 502955 | - x - - | ARM COVER (FRONT) 502989 WITH 502829 AND TWO 140753 |
| 502857 | x x x x | FEED DRIVING CONNECTION FRAME SLIDE STUD | 502956 | x x - x | NEEDLE BAR YOKE CONNECTING LINK CPL. 1664, 502785, 502817, 502957, 502959, 502961, 502962, 502963, 502990 AND TWO EACH 502802, 502958, 502960 AND 502964 |
| 502858 | x x x x | FEED DRIVING CONNECTION LEVER SLIDE STUD OIL WICK | 502957 | x x - x | NEEDLE BAR YOKE CONNECTING LINK |
| 502859 | x x x x | FEED DRIVING CONNECTION CARRIER FRAME BEARING STUD (LEFT) | 502958 | x x x x | NEEDLE BAR YOKE CONNECTING LINK SNAP RING (2) |
| 502860 | x x x x | FEED DRIVING CONNECTION CARRIER FRAME BEARING STUD (RIGHT) | 502958 | x x x x | HOOK SHAFT SNAP RING |
| 502862 | - x x x | FEED REGULATING CONNECTION SHAFT CRANK LINK | 502959 | x x - x | NEEDLE VIBRATING CAM ROLLER GUIDE |
| 502863 | - x x x | FEED REGULATING CONNECTION SHAFT CRANK 502864 WITH 160 | 502960 | x x - x | NEEDLE VIBRATING CAM ROLLER (2) |
| 502864 | - x x x | FEED REGULATING CONNECTION SHAFT CRANK | 502961 | x x x x | NEEDLE VIBRATING CAM ROLLER STUD SPRING WASHER |
| 502866 | - x x x | FEED DRIVING CONNECTION CARRIER FRAME SPRING | 502962 | x x - x | NEEDLE VIBRATING CAM ROLLER STUD |
| 502867 | - x x x | FEED DRIVING CONNECTION CARRIER FRAME SPRING STUD | 502963 | x x - x | NEEDLE VIBRATING CAM ROLLER STUD WASHER |
| 502868 | x x x x | FEED REGULATING CONNECTION SHAFT BUSHING | 502964 | x x x x | NEEDLE VIBRATING CAM ROLLER NEEDLE BEARING CAGE (2) |
| 502869 | - x x x | FEED REGULATING CONNECTION SHAFT COLLAR 502873 WITH TWO 51334 | 502966 | x x - x | NEEDLE VIBRATING CAM SHAFT SLIDE BLOCK |
| 502872 | - x x x | FEED REGULATING CONNECTION SHAFT COLLAR | 502967 | x x x x | NEEDLE VIBRATING CAM SHAFT BUSHING (BACK) |
| 502873 | - x x x | FEED REGULATING SHAFT INDICATOR LEVER CONNECTING LINK | 502968 | x x x x | NEEDLE VIBRATING CAM SHAFT |
| 502876 | - x x x | FEED REGULATING SHAFT WITH LEVER | 502969 | x x - - | NEEDLE VIBRATING CAM WITH TWO 500301 |
| 502878 | - x x x | FEED DRIVING ROCK SHAFT WITH 502560-002 AND 502880 | 502975 | - x x x | FEED REGULATING SHAFT INDICATOR CPL. 129, 502876, 502976 AND 507063 |
| 502879 | x x x x | FEED DRIVING ROCK SHAFT | 502976 | - x x x | FEED REGULATING SHAFT INDICATOR LEVER |
| 502880 | x x x x | BED SHAFT GEAR BOX COVER | 502977 | x x - x | NEEDLE POSITION ADJUSTING CAM SLIDE BLOCK BRACKET WITH 502974 AND TWO EACH 500067 AND 500298 |
| 502881 | x x x x | MACHINE BASE AND OIL RESERVOIR WITH 500329 AND 502799 | 502979 | - x x x | FEED REGULATING SHAFT SPACER |
| 502882 | x x x x | MACHINE BASE AND OIL RESERVOIR WITH 500329 AND 502799 | 502980 | x - - - | FEED DRIVING CONNECTION CARRIER FRAME COLLAR |
| 502883 | x x x x | MACHINE BASE AND OIL RESERVOIR WITH KNEE LIFTER CPL. 228364, 502587-002, 502583, 502606, 502720, 502882, 502937, 502994, 502996, 508501, 508503, 503000 AND TWO 508502 | 502981 | x - - - | FEED DRIVING CONNECTION CARRIER FRAME |
| 502884 | x x x x | BED SPACER (FRONT AND REAR SIDE) (2) | 502982-850 | x - - - | FEED DRIVING CONNECTION CARRIER FRAME THUMB NUT |
| 502885 | x x x x | BED SPACER (REAR) (2) | 502983 | x - - - | FEED DRIVING CONNECTION CARRIER FRAME STUD |
| 502886 | x x x x | HOOK SHAFT GEAR BOX OIL PIPE HOLDER | 502984 | x - - - | ARM COVER (FRONT) |
| 502888 | x x x x | BED SHAFT BUSHING (CENTER) | 502985 | x - - - | FEED DRIVING CONNECTION CARRIER FRAME CPL. 51369, 502850, 502854, 502857, 502858 AND 502983 |
| 502890 | x x x x | ARM OIL SHIELD (AERETED PLASTIC) | 502986 | x - - - | FEED REGULATING SHAFT PLUG |
| 502891 | x x x x | SINGER LIGHT STUD HOLE SCREW PLUG GASKET | 502987 | x x x x | FEED REVERSING PLUNGER HOLE PLUG (FOR UN-USED HOLE) |
| 502892 | x x x x | FEED DRIVING ROCK SHAFT BUSHING (CENTER) | 502989 | - x - - | ARM COVER (FRONT) |
| 502896 | x x x x | NEEDLE BAR YOKE GUIDE (REAR) | 502990 | x x - x | NEEDLE VIBRATING CAM ROLLER SPRING WASHER |
| 502897 | x x x x | NEEDLE BAR YOKE GUIDE (FRONT) | 502991 | x x x x | ARM PLUG SCREW GASKET RING |
| 502898 | - - x - | NEEDLE VIBRATING ADJUSTING SHAFT CLAMPING BRACKET CPL. 690, 502922 AND 502923 | 502992 | x x x x | ARM SHAFT BUSHING (CENTER) SCREW GASKET RING |
| 502907 | x x x x | ARM COVER (BACK) SCREW GASKET RING (6) | 502992 | x x x x | KNEE LIFTER ROCK FRAME HINGE STUD LOCK SCREW GASKET RING |
| 502907 | x x x x | ARM COVER (TOP) SCREW (LONG) GASKET RING (2) | 502993 | x x x x | NEEDLE BAR CPL. 223, 238 AND 502597 |
| 502907 | x x x x | ARM COVER (TOP) SCREW (SHORT) GASKET RING (2) | 502994 | x x x x | KNEE LIFTER ROCK SHAFT SPACER |
| 502907 | x x x x | ARM COVER (FRONT) SCREW GASKET RING (3) | 502996 | x x x x | KNEE LIFTER CONTROL SHAFT CPL. 500271, 500785, 502997, 502998 AND 508302 |
| 502907 | - - x - | NEEDLE VIBRATING CAM SHAFT BUSHING (BACK) GASKET RING (2) | 502997 | x x x x | KNEE LIFTER CONTROL SHAFT |
| 502908 | x x x x | BED SHAFT BUSHING (CENTER) OIL TUBE | 502998 | x x x x | KNEE LIFTER CONTROL SHAFT CRANK |
| 502909 | x x x x | ARM COVER (TOP) GASKET | 502998 | x x x x | KNEE LIFTER ROCK SHAFT CRANK |
| 502914 | x x x x | ARM HEAD OIL DRAIN WICK SLINGER CPL. 502915 AND TWO 500302 | 502999 | x x x x | KNEE LIFTER ROCK SHAFT CPL. 502589, 502998 AND 508302 |
| 502915 | x x x x | ARM HEAD OIL DRAIN WICK SLINGER | 503000 | x x x x | KNEE LIFTER CONTROL SHAFT GRIP RING |
| 502916 | x x x x | ARM HEAD OIL DRAIN WICK | 503141 | - - x - | NEEDLE VIBRATING CAM ROLLER STUD WASHER |
| 502917 | x x x x | OIL RETURN TUBE | 503595 | x x x - | PRESSER FOOT (HINGED) |
| 502918 | x x x x | ARM HEAD OIL DRAIN WICK CLAMP (UPPER) | 503669 | x x x x | WRENCH (5/64 INCH HEXAGON) |
| 502919 | x x x x | ARM HEAD OIL DRAIN WICK CLAMP (BACK) | 503673 | x x x x | WRENCH (25/64 INCH HEXAGON) |
| 502920 | x x x x | PRESSER BAR SPRING SCREW STUD GASKET | 503682 | x x x - | THROAT PLATE |
| 502922 | - - x - | NEEDLE VIBRATING ADJUSTING SHAFT CLAMPING BRACKET (UPPER) | 503683 | x x - - | FEED DOG |
| 502923 | - - x - | NEEDLE VIBRATING ADJUSTING SHAFT CLAMPING BRACKET (LOWER) | 503686 | - - x - | FEED DOG |
| 502926 | x x x x | ARM SHAFT OIL SLINGER AND PINION SPACER WITH 460 AND 502511-002 | 503697 | - - - x | PRESSER FOOT (HINGED) |
| 502927 | x x x x | ARM SHAFT AND NEEDLE BAR CRANK PIN | 503698 | - - - x | THROAT PLATE |
| 502928 | x x x x | HOOK SHAFT OIL FILTER FELT (WICK) | 503699 | - - - x | FEED DOG |
| 502930 | x x x x | NEEDLE BAR YOKE GUIDE SET SCREW (2) | 507063 | x x x x | FEED DRIVING CONNECTION LEVER HINGE PIN RETAINER (4) |
| 502931 | - x x x | FEED DRIVING CONNECTION CARRIER FRAME SPRING RETAINER | 507063 | - x x x | FEED REGULATING CONNECTION SHAFT CRANK LINK RETAINER |
| 502932 | - x x x | FEED DRIVING CONNECTION CARRIER FRAME SPRING 502866 WITH 502931 | 507063 | - x x x | FEED REGULATING SHAFT INDICATOR LEVER HINGE STUD RETAINER |
| 502935 | x x x x | FEED REVERSING FOOT CONTROL LEVER PIN COLLAR | 507063 | - x x x | FEED REGULATOR SHAFT INDICATOR LEVER HINGE STUD RETAINER |
| 502937 | x x x x | FEED REVERSING FOOT CONTROL LEVER PIN | 507523 | x x x x | FEED DRIVING CONNECTION CARRIER FRAME STOP SCREW WASHER (2) |
| 502946 | x x x x | OIL RETURN TUBE (LOWER) (LONG) CLAMP | 508302 | x x x x | KNEE LIFTER ROCK SHAFT CRANK PIN |
| 502948 | x x x x | PRESSER BAR WITH PRESSER FOOT SCREW 500256 | 508302 | x x x x | KNEE LIFTER CONTROL SHAFT CRANK PIN |
| | | | 508501 | x x x x | KNEE LIFTER ROCK SHAFT CONNECTION |
| | | | 508502 | x x x x | KNEE LIFTER ROCK SHAFT CONNECTION GRIP RING (2) |

| PART NO. | FOR CLASS 457 G | | | | DESCRIPTION | PART NO. | FOR CLASS 457 G | | | | DESCRIPTION |
|----------|-----------------|-----|-----|-----|---|----------|-----------------|-----|-----|-----|--|
| | 130 | 135 | 155 | GX6 | | | 130 | 135 | 155 | GX6 | |
| 508503 | x | x | x | x | MACHINE BASE AND OIL RESERVOIR GASKET | 508570 | - | - | x | - | ARM COVER (FRONT) 508571 WITH 502829 |
| 508505 | x | x | x | x | OIL FILTER WITH OIL FILTER MOUNTING SUPPORT | 508571 | - | - | x | - | AND TWO 140753 |
| 508506 | x | x | x | x | BED SLIDE SPRING | 508581 | - | - | - | x | ARM COVER (FRONT) |
| 508507 | x | x | x | x | BED SLIDE CPL. 502822, 508506 AND TWO 238 | 508582 | - | - | - | x | ARM COVER (FRONT) 508582 WITH 502829 |
| 508511 | x | x | x | x | MACHINE PULLEY WITH 141566, 141567 AND 272142 | 508583 | - | - | - | x | AND TWO 140753 |
| 508513 | x | x | - | x | PAIR OF NEEDLE VIBRATING WORM GEAR AND NEEDLE VIBRATING WORM WHEEL WITH TWO 500301 AND FOUR 1266 | 508584 | - | - | - | x | ARM COVER (FRONT) |
| 508514 | x | x | x | x | OIL DISTRIBUTOR PLATE | 508585 | - | - | - | x | NEEDLE BAR CONNECTING STUD |
| 508518 | x | x | x | x | THREAD CUTTER (ON FACE PLATE) | 508586 | - | - | - | x | NEEDLE BAR CONNECTING STUD GUIDE BLOCK |
| 508519 | - | - | x | - | NEEDLE BAR YOKE CONNECTING LINK | 508587 | - | - | - | x | NEEDLE BAR CONNECTING LINK WITH 270266 |
| 508520 | - | - | x | - | PAIR OF NEEDLE VIBRATING WORM GEAR AND NEEDLE VIBRATING WORM WHEEL WITH TWO 500301 AND FOUR 1266 | 508588 | - | - | - | x | NEEDLE BAR CRANK STUD WITH 270161 |
| 508523 | - | x | x | x | FEED DRIVING CONNECTION CARRIER FRAME STOP (BACK) | 508589 | - | - | - | x | NEEDLE BAR YOKF WITH 502594, 502608 AND 508588 |
| 508524 | - | x | x | x | FEED DRIVING CONNECTION CARRIER FRAME STOP (FRONT) | 508604 | - | - | x | - | NEEDLE BAR YOKE |
| 508527 | x | x | x | x | BOBBIN CASE BASE | 508604 | - | - | x | - | NEEDLE VIBRATING CAM WITH TWO 500301 |
| 508530 | x | x | x | x | BOBBIN CASE TENSION SPRING | 508604 | - | - | x | - | FACE PLATE |
| 508535 | - | - | - | x | HOOK BODY WITH 502563 | 508604 | - | - | x | - | TENSION CPL. 32574, 147151, 147152, 276225, 502668, 502698, 508654 AND TWO 2102 |
| 508537 | - | - | - | x | HOOK NEEDLE GUARD AND COUNTERBALANCE | 508651 | - | - | x | - | NEEDLE POSITION ADJUSTING ECCENTRIC SLIDE BLOCK BRACKET CPL. 502791 AND TWO EACH 500067 AND 500367 |
| 508538 | - | - | x | - | NEEDLE VIBRATING CAM SHAFT BUSHING (BACK) | 508653 | - | - | x | - | NEEDLE VIBRATING CAM SHAFT BUSHING (BACK) WASHER |
| 508539 | - | - | x | - | NEEDLE VIBRATING CAM ROLLER GUIDE | 508654 | - | - | x | - | TENSION THUMB NUT CAP |
| 508540 | - | - | x | - | NEEDLE VIBRATING CAM ROLLER STUD WASHER | 508660 | - | - | - | x | HOOK AND BOBBIN CASE CPL. 502531 AND 508661 |
| 508541 | - | - | x | - | NEEDLE VIBRATING CAM ROLLER STUD | 508661 | - | - | - | x | HOOK CPL. 141507, 502538, 508535, 508537, TWO 500306 AND THREE 141525 |
| 508542 | - | - | x | - | NEEDLE VIBRATING CAM ROLLER (2) | 508674 | x | x | x | x | ARM HEAD OIL DRAIN WICK GUARD |
| 508543 | - | - | x | - | NEEDLE VIBRATING CAM ROLLER GUIDE COMPENSATING LINK | | | | | | |
| 508567 | - | - | x | - | NEEDLE VIBRATING CAM WITH TWO 500301 | | | | | | |
| 508568 | - | - | x | - | NEEDLE BAR YOKE CONNECTING LINK CPL. 1664, 502801, 502785, 502817, 502961, 503141, 508519, 508539, 508540, 508541, 508543, TWO EACH 502793, 502802, 502958, 502964 AND 508542 | | | | | | |