

SINGER
457U105,U125

ILLUSTRATED

PARTS LIST

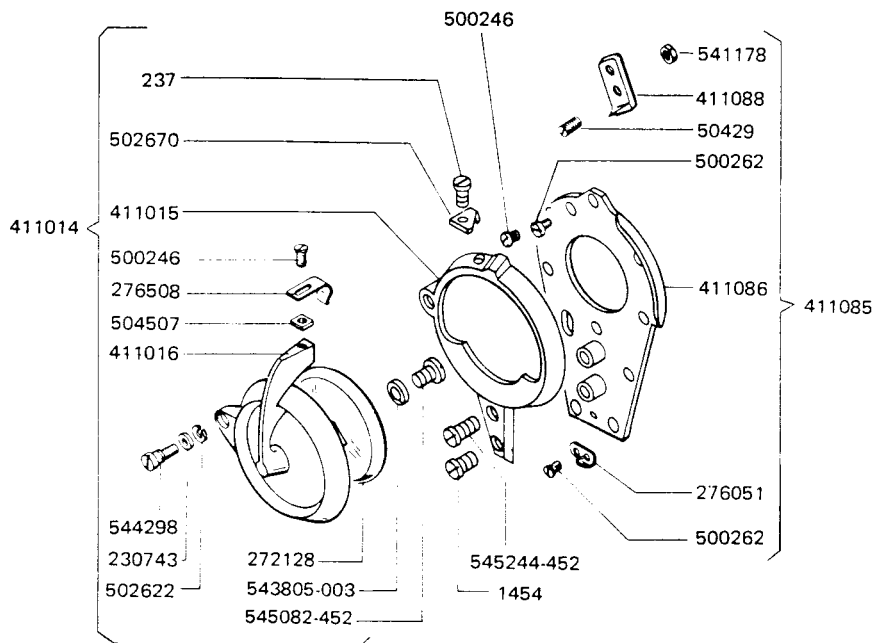
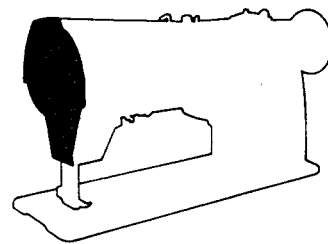
FOR

SINGER*

MACHINE

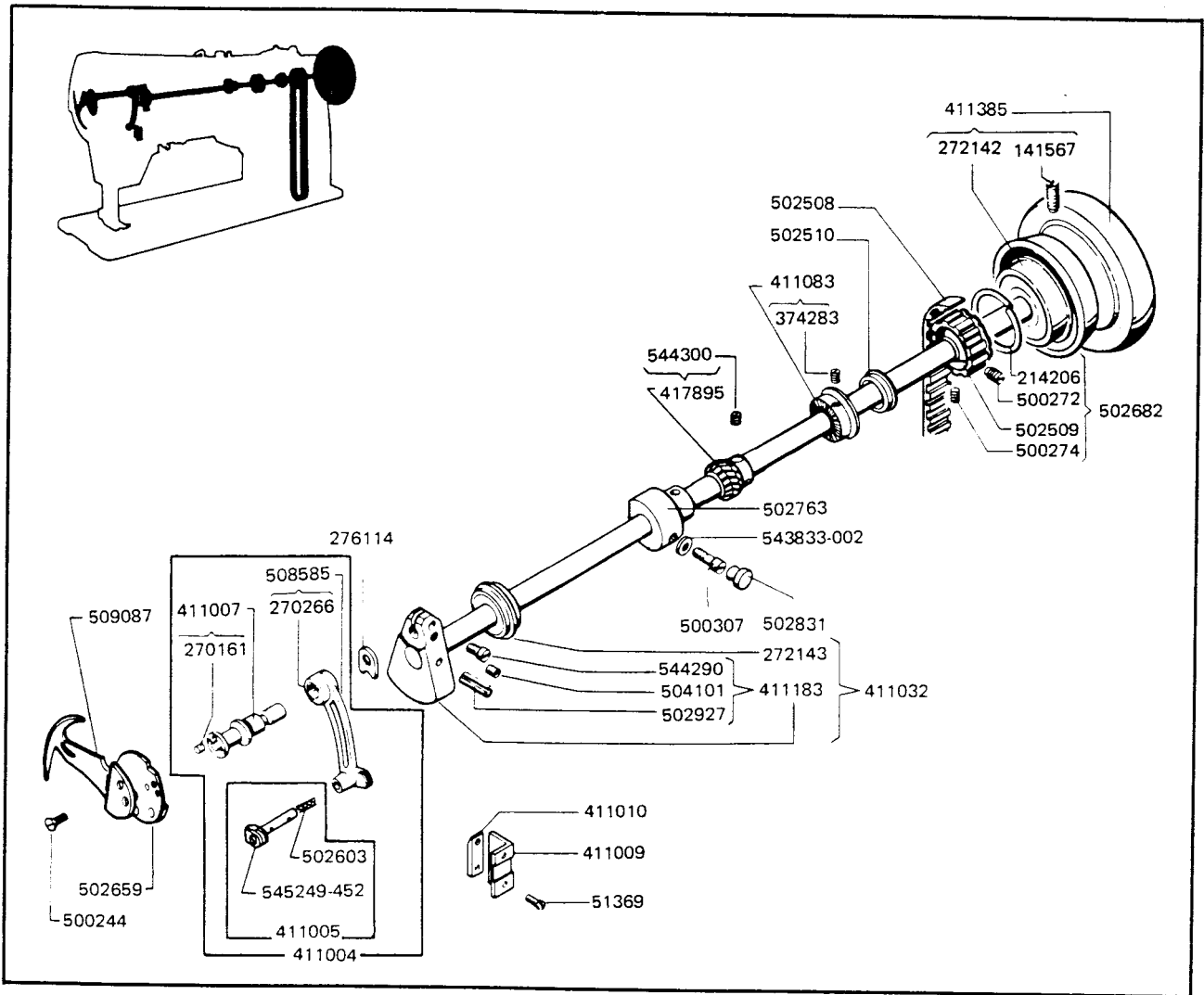
457U105

457U125



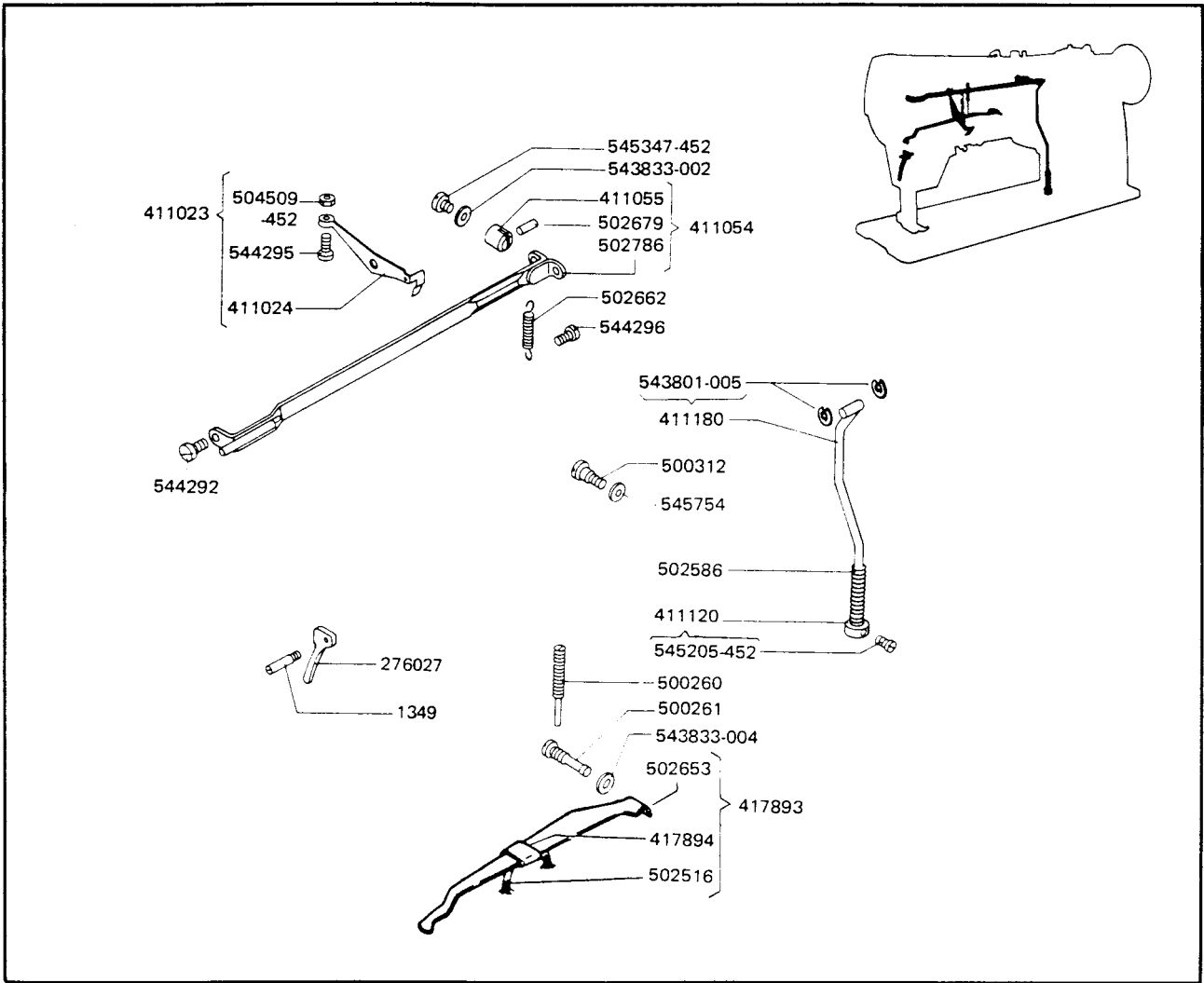
237-833	THREAD CUTTER (ON ROTARY TAKE-UP GUARD) SCREW
1454-850	ROTARY TAKE-UP GUARD SCREW (SHORT)
50429-833	THREAD CUTTER (ON FACE PLATE) ADJUSTING SCREW
230743	ROTARY TAKE-UP GUARD HINGE SCREW SPRING WASHER
272128	ROTARY TAKE-UP GUARD COVER WINDOW
276051	THREAD GUIDE (ON FACE PLATE)
276508	ROTARY TAKE-UP GUARD SPRING CATCH
411014	ROTARY TAKE-UP GUARD CPL. NOS., 237, 230743, 272128, 276508, 411015, 411016, 500246, 502622, 502670, 504507, 543805-003, 544298 AND 545082-452
411015	ROTARY TAKE-UP GUARD
411016	ROTARY TAKE-UP GUARD COVER
411085	FACE PLATE CPL. NOS., 50429, 276051, 411086, 411088, 541178 AND TWO 500262
411086	FACE PLATE

411088	THREAD CUTTER (ON FACE PLATE)
500246-850	FACE PLATE SCREW (8)
500246-850	ROTARY TAKE-UP GUARD SPRING CATCH SCREW
500262-833	THREAD GUIDE (ON FACE PLATE) SCREW
500262-833	THREAD CUTTER (ON FACE PLATE) SCREW
502622	ROTARY TAKE-UP GUARD HINGE SCREW SPRING WASHER
502670	THREAD CUTTER (ON ROTARY TAKE-UP GUARD)
504507	SPRING CATCH SCREW NUT
541178	THREAD CUTTER (ON FACE PLATE) ADJUSTING SCREW NUT
543805-003	ROTARY TAKE-UP COVER WINDOW WASHER
544298	ROTARY TAKE-UP GUARD HINGE SCREW
545082-452	ROTARY TAKE-UP GUARD COVER WINDOW SCREW
545244-452	ROTARY TAKE-UP GUARD SCREW (LONG)



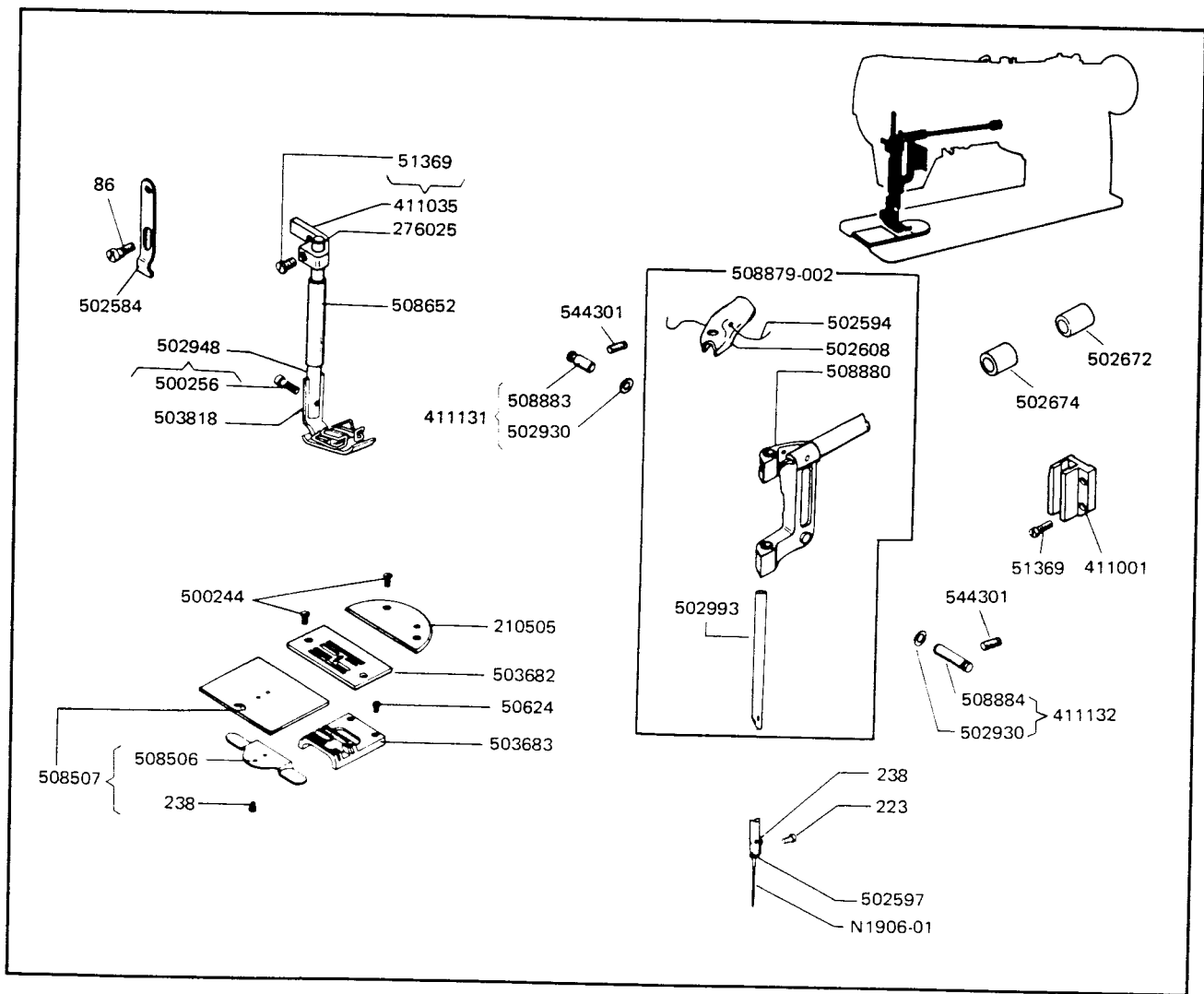
- 51369-850 NEEDLE BAR CONNECTING LINK CLAMPING PLATE SCREW (2)
- 141567-833 MACHINE PULLEY SET SCREW (2)
- 214206 ARM SHAFT CONNECTION BELT PULLEY SPRING FLANGE
- 270161 NEEDLE BAR CRANK STUD PIN
- 270266 NEEDLE BAR CONNECTING LINK NEEDLE BEARING
- 272142 MACHINE PULLEY BALL BEARING
- 272143 ARM SHAFT BALL BEARING
- 276114 NEEDLE BAR CONNECTING LINK THRUST WASHER
- 374283 BOBBIN WINDER DRIVING WHEEL SCREW (2)
- 411004 NEEDLE BAR CONNECTING STUD, CONNECTING LINK CPL. NOS., 411005, 411007 AND 508585
- 411005 NEEDLE BAR CONNECTING STUD WITH 502603 AND 545249-452
- 411007 NEEDLE BAR CRANK STUD WITH 270161
- 411009 NEEDLE BAR CONNECTING LINK GUIDE BLOCK
- 411010 NEEDLE BAR CONNECTING LINK CLAMP PLATE
- 411032 ARM SHAFT CPL. NOS., 272143 AND 411183
- 411083 BOBBIN WINDER DRIVING WHEEL WITH TWO 374283
- 411183 ARM SHAFT AND NEEDLE BAR CRANK WITH 502927, 504101 AND 544290
- 411385 MACHINE PULLEY WITH 272142 AND TWO 141567

- 417895 NEEDLE VIBRATING PINION WITH TWO 544300
- 500244 ROTARY TAKE-UP SCREW (2)
- 500274-830 ARM SHAFT CONNECTION BELT PULLEY SET SCREW
- 500274-833 ARM SHAFT CONNECTION BELT PULLEY POSITION SCREW
- 500307-850 ARM SHAFT BUSHING (CENTER) SCREW
- 502508 ARM SHAFT CONNECTION BELT
- 502509 ARM SHAFT CONNECTION BELT PULLEY
- 502510 ARM SHAFT OIL SHIELD
- 502603 NEEDLE BAR CONNECTING STUD OIL WICK
- 502659 ROTARY TAKE-UP MOUNTING DISC
- 502682 ARM SHAFT CONNECTION BELT PULLEY CPL. NOS., 214206, 500272, 500274 AND 502509
- 502763 ARM SHAFT BUSHING (CENTER)
- 502831 ARM SHAFT BUSHING (CENTER) SCREW PLUG
- 502927 NEEDLE BAR CRANK POSITION PIN
- 504101 NEEDLE BAR CRANK STUD POSITION SCREW
- 508585 NEEDLE BAR CONNECTING LINK WITH 270266
- 509087 ROTARY TAKE-UP
- 543833-002 ARM SHAFT BUSHING (CENTER) SCREW PLUG
- 544290 NEEDLE BAR CRANK STUD PINCH SCREW
- 544300 NEEDLE VIBRATING PINION SET SCREW (2)
- 545249-452 NEEDLE BAR CONNECTING STUD SCREW



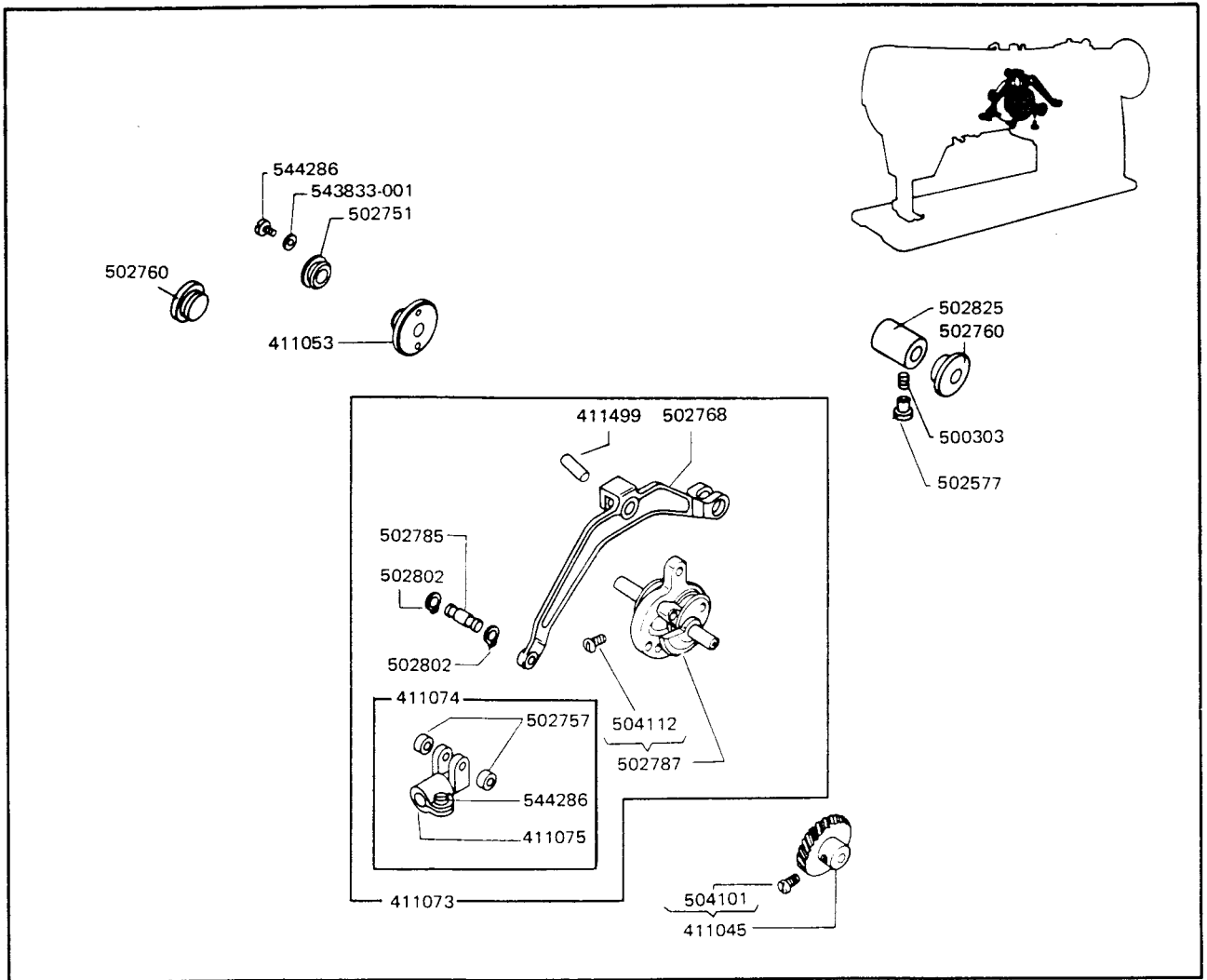
1349-850	PRESSER BAR LIFTER HINGE SCREW
276027	PRESSER BAR LIFTER
411023	TENSION RELEASER CPL. NOS., 411024, 504509-452 AND 544295
411024	TENSION RELEASER
411054	KNEE LIFTER ROCK FRAME CPL. NOS., 411055, 502679 AND 502786
411055	KNEE LIFTER ROCK FRAME HINGE STUD
411120	KNEE LIFTER LIFTING ROD SPRING COLLAR WITH 545205-452
411180	KNEE LIFTER LIFTING ROD WITH TWO 543801-005
417893	PRESSER BAR SPRING CPL.
417894	PRESSER BAR SPRING TUBE
500260-833	PRESSER BAR SPRING ADJUSTING SCREW
500261-850	PRESSER BAR SPRING SCREW STUD
500312-850	LIGHT STUD HOLE SCREW PLUG (FOR UN-USED HOLE)

502516	PRESSER BAR SPRING WICK
502586	KNEE LIFTER LIFTING ROD SPRING
502653	PRESSER BAR SPRING
502662	TENSION RELEASER SPRING
502679	KNEE LIFTER ROCK FRAME HINGE STUD PIN
502786	KNEE LIFTER ROCK FRAME
504509-452	TENSION RELEASER ADJUSTING SCREW LOCK NUT
543801-005	KNEE LIFTER LIFTING ROD GRID RING (2)
543833-002	KNEE LIFTER ROCK FRAME HINGE STUD GASKET
543833-004	PRESSER BAR SPRING SCREW STUD GASKET
544292	KNEE LIFTER ROCK FRAME HINGE SCREW
544295	TENSION RELEASER ADJUSTING SCREW
544296	TENSION RELEASER HINGE SCREW
545205-452	KNEE LIFTER LIFTING ROD COLLAR SET SCREW
545347-452	KNEE LIFTER ROCK FRAME HINGE STUD LOCK SCREW
545754	LIGHT STUD HOLE SCREW PLUG GASKET

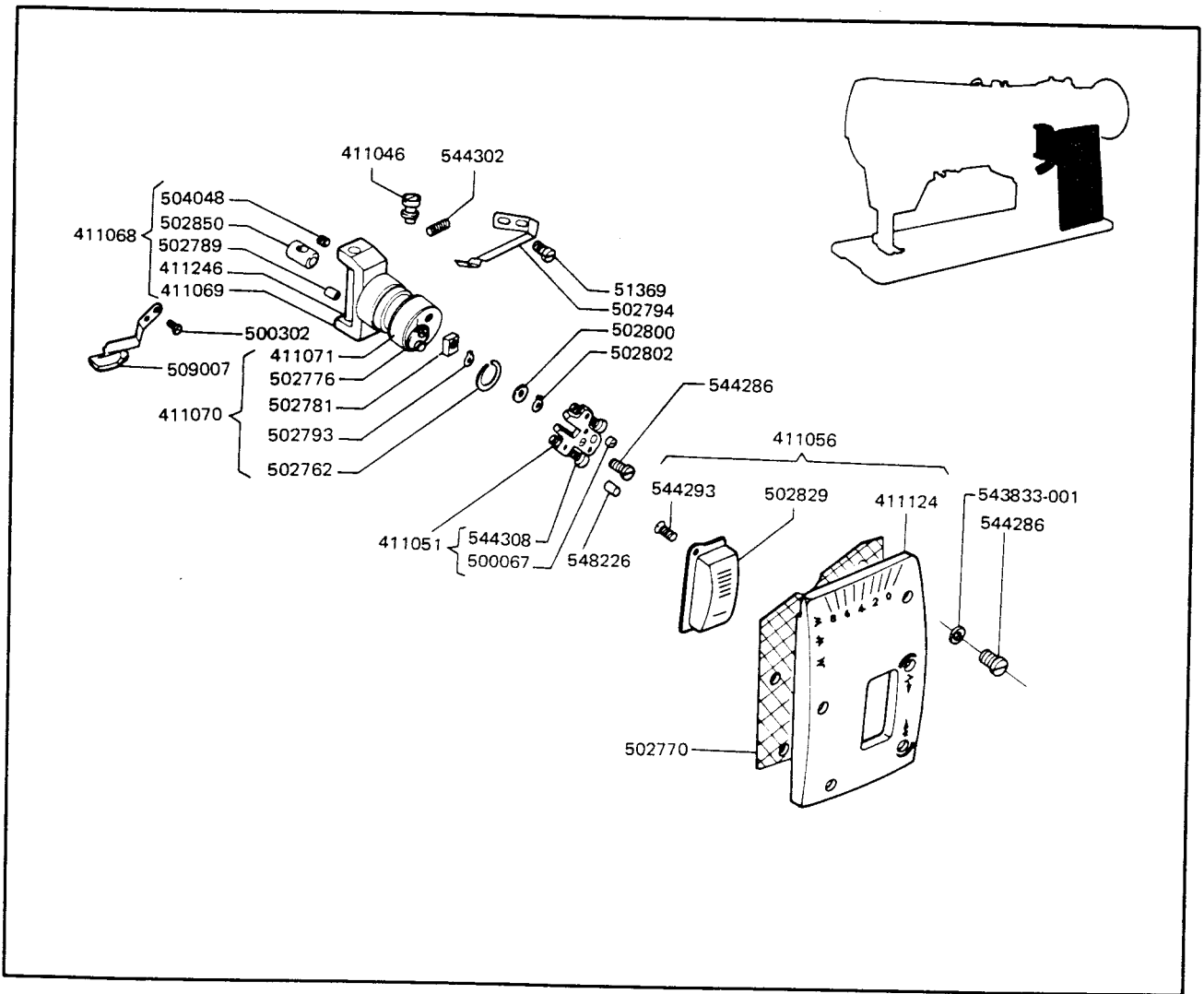


86-850	KNEE LIFTER LIFTING LINK SCREW
223	NEEDLE SET SCREW
238	NEEDLE BAR THREAD GUIDE SET SCREW
238	BED SLIDE SPRING SCREW (2)
* N1906-01	NEEDLE (CAT. NO. 1906-01, #14)
50624-833	FEED DOG SCREW (2)
51369-850	NEEDLE BAR CONNECTING STUD GUIDE BLOCK SCREW (2)
51369-850	PRESSER BAR POSITION GUIDE PINCH SCREW
210505	BED PLATE
276025	PRESSER BAR BALL
411001	NEEDLE BAR CONNECTING STUD GUIDE BLOCK
411035	PRESSER BAR POSITION GUIDE WITH 51369
411131	NEEDLE BAR YOKE GUIDE (REAR) CPL. NOS., 502930 AND 508883
411132	NEEDLE BAR YOKE GUIDE (FRONT) CPL. NOS., 502930 AND 508884
500244	BED PLATE SCREW (2)
500244	THROAT PLATE SCREW (2)
500256	PRESSER FOOT SCREW
502584	KNEE LIFTER LIFTING LINK

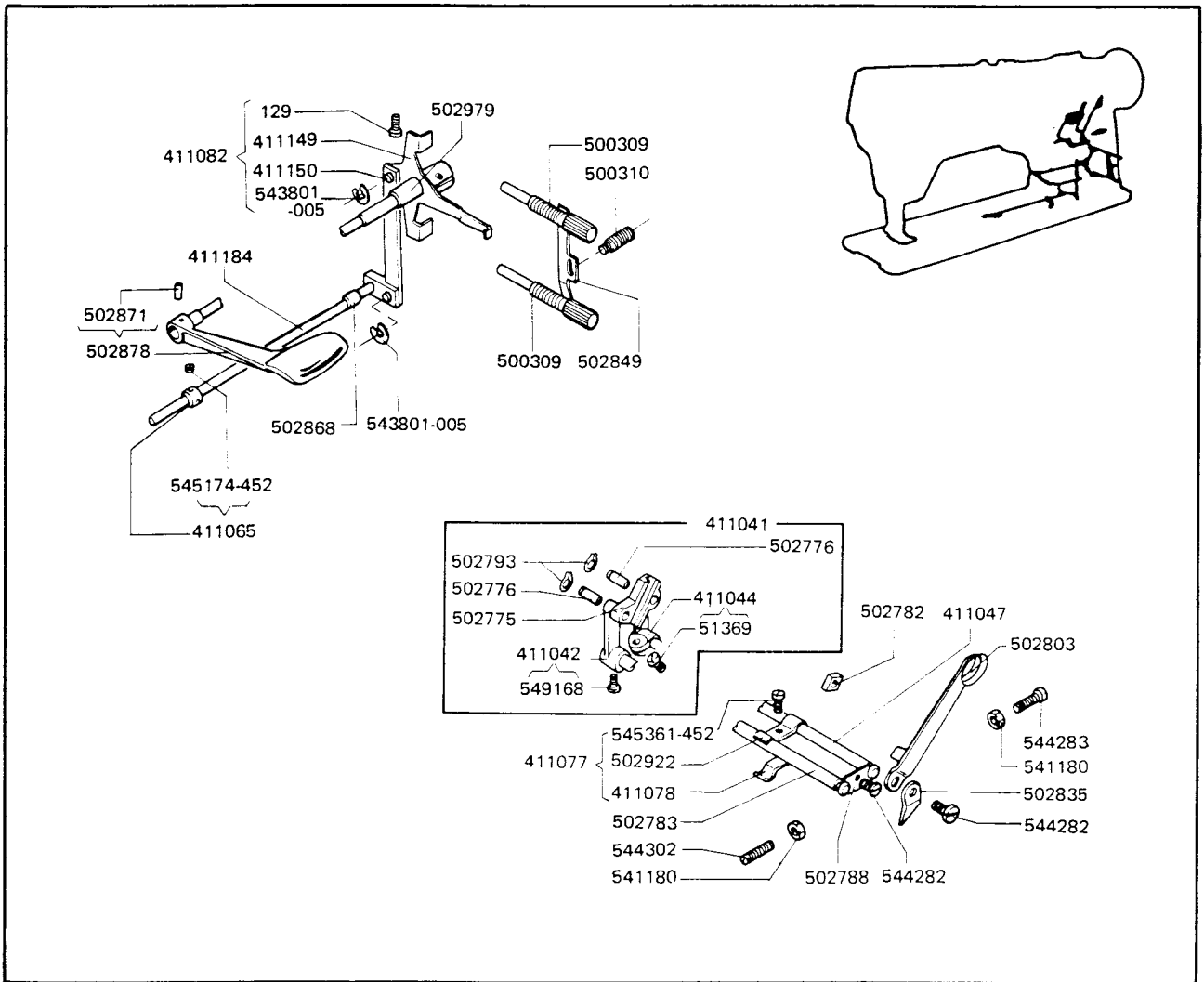
502594	NEEDLE BAR OIL FELT CORD
502597	NEEDLE BAR THREAD GUIDE
502608	NEEDLE BAR OIL FELT
502672	NEEDLE BAR YOKE BEARING (BACK)
502674	NEEDLE BAR YOKE BEARING (FRONT)
502930	NEEDLE BAR YOKE GUIDE SEAL (FRONT AND REAR) (2)
502948	PRESSER BAR WITH 500256
502993	NEEDLE BAR
* 503682	THROAT PLATE
* 503683	FEED DOG
* 503818	PRESSER FOOT
508506	BED SLIDE SPRING
508507	BED SLIDE WITH 508506 AND TWO 238
508652	PRESSER BAR BUSHING
508879-002	NEEDLE BAR YOKE CPL. NOS., 502594, 502608, 502993 AND 508880
508880	NEEDLE BAR YOKE
508883	NEEDLE BAR YOKE GUIDE (REAR)
508884	NEEDLE BAR YOKE GUIDE (FRONT)
544301	NEEDLE BAR YOKE GUIDE SET SCREW (2)



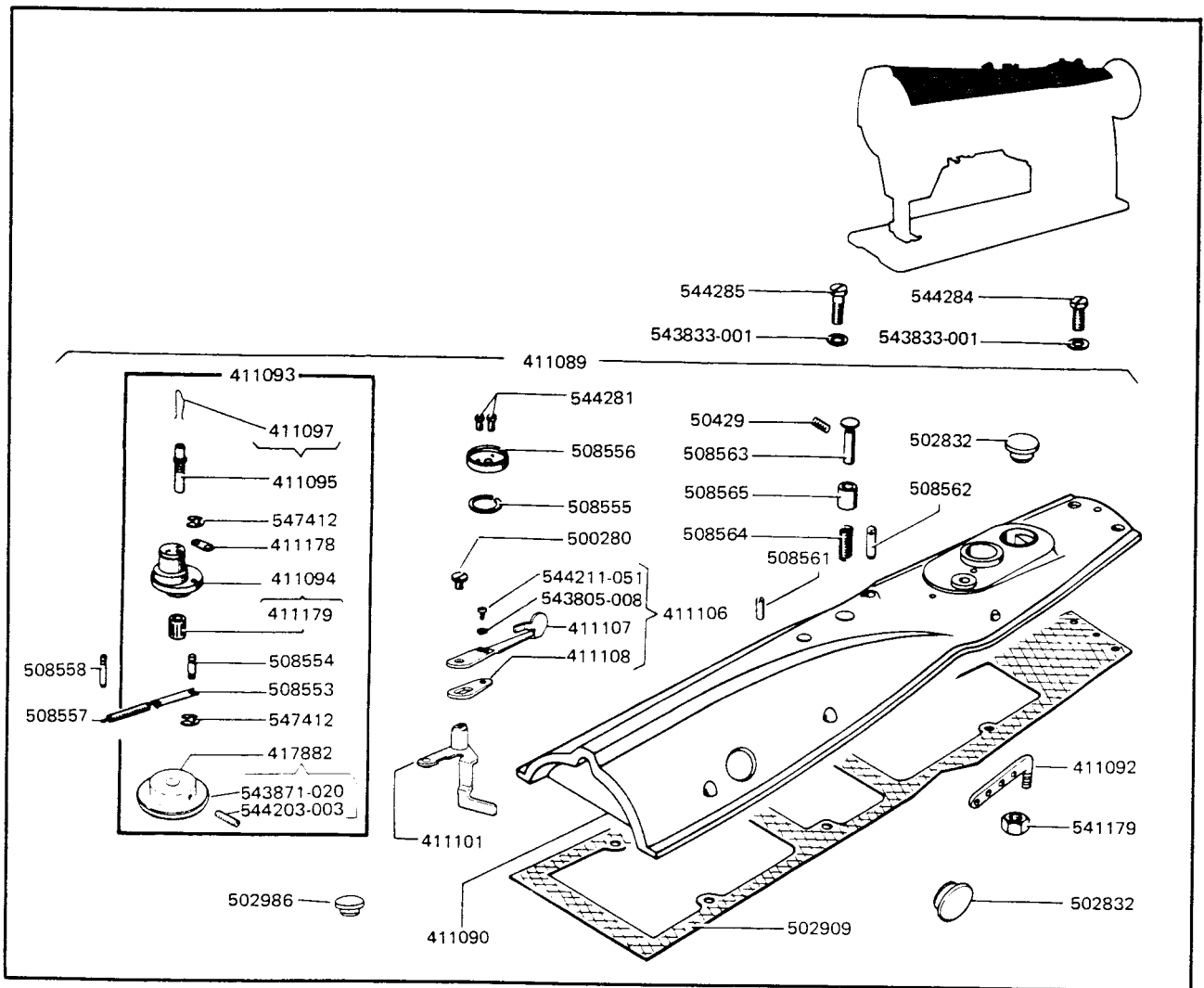
411045	NEEDLE VIBRATING ECCENTRIC SHAFT GEAR WITH TWO 504101	502760	NEEDLE VIBRATING CAM SHAFT BUSHING (FRONT) PLUG
411053	NEEDLE VIBRATING ECCENTRIC SHAFT BUSHING (BACK)	502768	NEEDLE BAR YOKE CONNECTING LINK
411073	NEEDLE BAR YOKE CONNECTING LINK CPL. NOS. 411074, 502768, 502785, 502787, 411499, TWO 502802	502785	NEEDLE BAR YOKE CONNECTING LINK HINGE STUD
411074	NEEDLE BAR YOKE CONNECTING LINK HINGE BEARING CPL. NOS. 411075, 544286, AND TWO 502757	502787	NEEDLE VIBRATING ECCENTRIC SHAFT
411075	NEEDLE BAR YOKE CONNECTING LINK HINGE BEARING	502802	NEEDLE BAR YOKE CONNECTING LINK HINGE STUD SNAP RING (2)
411499	NEEDLE BAR YOKE CONNECTING LINK STUD	502825	NEEDLE VIBRATING CAM SHAFT BUSHING (FRONT)
500303-869	NEEDLE VIBRATING CAM SHAFT BUSHING (FRONT) SET SCREW	504101	NEEDLE VIBRATING ECCENTRIC SHAFT GEAR SET SCREW (2)
502577	NEEDLE VIBRATING CAM SHAFT BUSHING (FRONT) SET SCREW PLUG	504112	NEEDLE BAR YOKE CONNECTING LINK STUD SCREW
502751	NEEDLE VIBRATING CAM SHAFT BUSHING (BACK) PLUG	543833-001	NEEDLE VIBRATING ECCENTRIC SHAFT BUSHING (BACK) SCREW GASKET (2)
502757	NEEDLE BAR YOKE CONNECTING LINK HINGE BEARING BUSHING (2)	544286	NEEDLE BAR YOKE CONNECTING LINK HINGE BEARING PINCH SCREW
502760	ARM HOLE PLUG	544286	NEEDLE VIBRATING ECCENTRIC SHAFT BUSHING (BACK) SCREW (2)



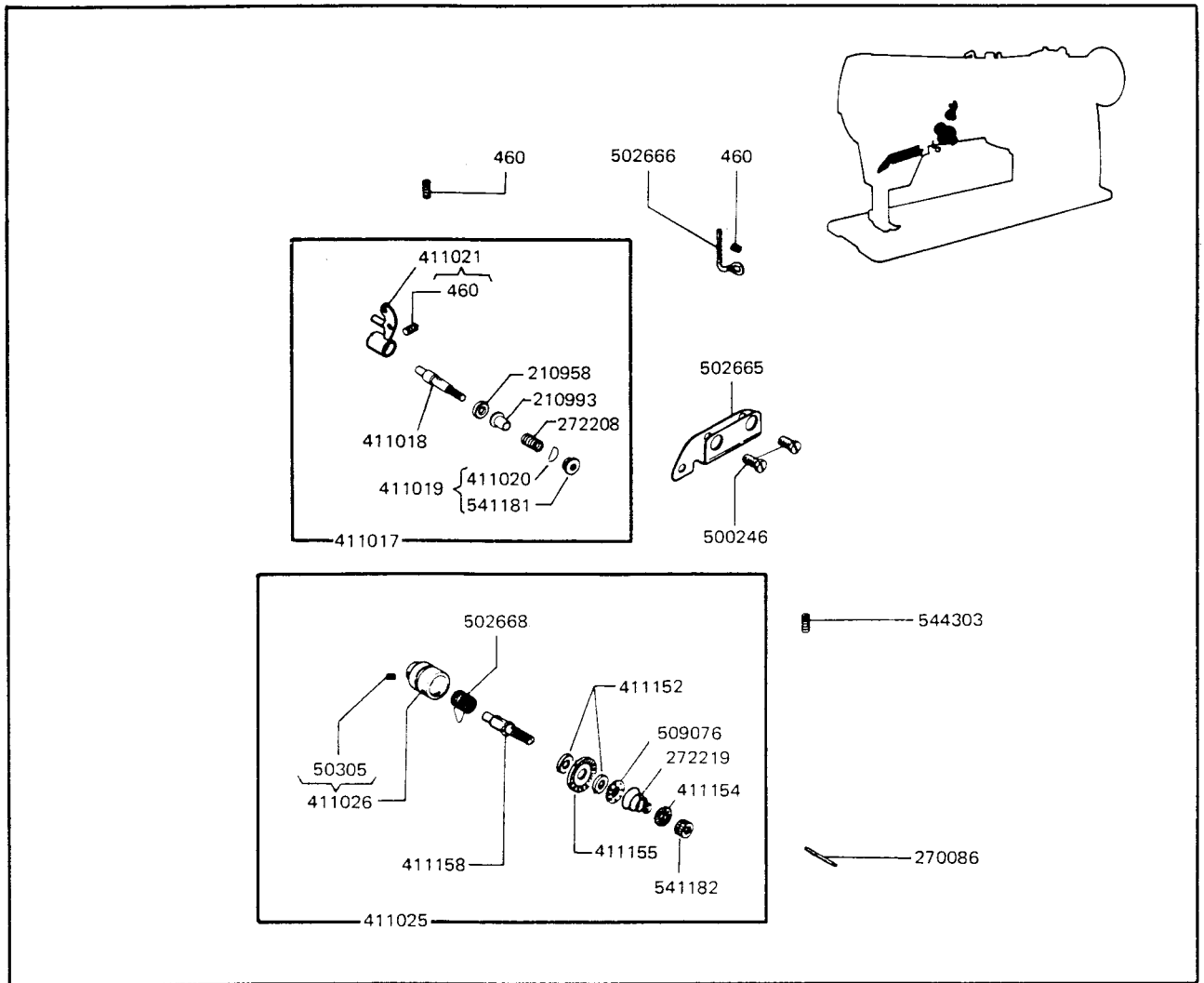
* 51369-850	NEEDLE POSITION ADJUSTING ECCENTRIC POSITION SPRING SCREW (2)	502789	NEEDLE BAR YOKE CONNECTING LINK CARRIER FRAME STUD
411046	NEEDLE POSITION ADJUSTING CAM REGULATING STUD	* 502793	NEEDLE POSITION ADJUSTING ECCENTRIC BUSHING (SMALL) SLIDE BLOCK STUD SNAP RING
* 411051	NEEDLE POSITION ADJUSTING ECCENTRIC SLIDE BLOCK BRACKET WITH TWO EACH 500067 AND 544308	* 502794	NEEDLE POSITION ADJUSTING ECCENTRIC POSITION SPRING
* 411056	ARM COVER (FRONT) CPL. NOS. 411124, 502829 AND TWO 544293	* 502800	NEEDLE BAR YOKE CONNECTING LINK CARRIER FRAME CUP SPRING
* 411068	NEEDLE BAR YOKE CONNECTING LINK CARRIER FRAME CPL. NOS. 411069, 502789, 502850, 411246 AND TWO 504048	* 502802	NEEDLE BAR YOKE CONNECTING LINK CARRIER FRAME SNAP RING
* 411069	NEEDLE BAR YOKE CONNECTING LINK CARRIER FRAME	502829	STITCH LENGTH INDICATOR PLATE
* 411070	NEEDLE POSITION ADJUSTING ECCENTRIC CPL. NOS. 411071, 502776, 502781, 502793 AND TWO 502762	502850	NEEDLE BAR YOKE CONNECTING LINK SLIDE BEARING
* 411071	NEEDLE POSITION ADJUSTING ECCENTRIC	504048	NEEDLE BAR YOKE CONNECTING LINK CARRIER FRAME SLIDE STUD SET SCREW (2)
* 411124	ARM COVER (FRONT)	509007	NEEDLE POSITION ADJUSTING LEVER
411246	NEEDLE BAR YOKE CONNECTING LINK SLIDE STUD	543833-001	ARM COVER (FRONT) SCREW GASKET RING (3)
500067-833	NEEDLE POSITION ADJUSTING CAM STOP SCREW SET SCREW (2)	544286	NEEDLE POSITION ADJUSTING CAM SLIDING BLOCK BRACKET SCREW (2)
500302-850	NEEDLE POSITION ADJUSTING ECCENTRIC STOP SCREW (2)	544286	ARM COVER (FRONT) SCREW (3)
* 502762	NEEDLE POSITION ADJUSTING ECCENTRIC BUSHING (SMALL) SNAP RING (2)	544293	STITCH LENGTH INDICATOR PLATE SCREW (2)
502770	ARM COVER (FRONT) GASKET	544302-850	NEEDLE POSITION ADJUSTING ECCENTRIC REGULATING STUD SET SCREW (2)
* 502776	NEEDLE POSITION ADJUSTING ECCENTRIC BUSHING (SMALL) SLIDE BLOCK STUD	544308	NEEDLE POSITION ADJUSTING ECCENTRIC STOP SCREW (2)
* 502781	NEEDLE POSITION ADJUSTING ECCENTRIC BUSHING (SMALL) SLIDE BLOCK	* 548226	NEEDLE POSITION ADJUSTING ECCENTRIC SLIDE BLOCK BRACKET DOWEL PIN (2)



129-850	FEED REGULATING SHAFT INDICATOR LEVER SCREW	* 502803	NEEDLE VIBRATING ADJUSTING LEVER
* 51369-850	NEEDLE VIBRATING ADJUSTING CRANK PINCH SCREW	* 502835	NEEDLE VIBRATING ADJUSTING LEVER OIL GUIDE
* 411041	NEEDLE VIBRATING ADJUSTING BRACKET CPL. NOS., 411042, 411044, 502775, TWO EACH 502776 AND 502793	502849	FEED REGULATING SHAFT INDICATOR STOP SCREW
* 411042	NEEDLE VIBRATING ADJUSTING GUIDE CRANK WITH 549168	502868	RETAINING SPRING
* 411044	NEEDLE VIBRATING ADJUSTING CRANK WITH 51369	502871	FEED REGULATING CONNECTION SHAFT BUSHING
* 411047	NEEDLE VIBRATING ADJUSTING CRANK SHAFT	502878	FEED REGULATING SHAFT LEVER POSITION PIN
411065	FEED REGULATING CONNECTION SHAFT COLLAR WITH TWO 545174-452	* 502922	FEED REGULATING SHAFT LEVER WITH 502871
* 411077	NEEDLE VIBRATING ADJUSTING SHAFT CLAMPING BRACKET CPL. NOS., 411078, 502922 AND 545361-452	502979	NEEDLE VIBRATING ADJUSTING SHAFT CLAMPING BRACKET (UPPER)
* 411078	NEEDLE VIBRATING ADJUSTING SHAFT CLAMPING BRACKET (LOWER)	* 541180	NEEDLE VIBRATING ADJUSTING SHAFT CLAMPING BRACKET (LOWER)
411082	FEED REGULATING SHAFT INDICATOR CPL. NOS., 129, 411149, 411150 AND 543801-005	543801-005	FEED REGULATING SHAFT SPACER
411149	FEED REGULATING SHAFT INDICATOR LEVER	543801-005	NEEDLE VIBRATING ADJUSTING LEVER STOP SCREW NUT (2)
411150	FEED REGULATING SHAFT INDICATOR LEVER CONNECTING LINK	543801-005	FEED REGULATING SHAFT INDICATOR LEVER HINGE STUD RETAINER
411184	FEED REGULATING CONNECTION SHAFT	* 544282	FEED REGULATING CONNECTION SHAFT CRANK LINK
500309-850	FEED REGULATING SHAFT INDICATOR STOP SCREW (2)	* 544282	RETAINING RING
501310-833	FEED REGULATING RETAINING SPRING SCREW	* 544282	NEEDLE VIBRATING ADJUSTING LEVER OIL GUIDE SCREW
* 502775	NEEDLE VIBRATING ADJUSTING BRACKET	* 544283	NEEDLE VIBRATING ADJUSTING SHAFT RETAINER SCREW
* 502776	NEEDLE POSITION ADJUSTING ECCENTRIC BUSHING (SMALL) SLIDE BLOCK STUD (2)	* 544302	NEEDLE VIBRATING ADJUSTING LEVER STOP SCREW (RIGHT)
* 502782	NEEDLE VIBRATING ADJUSTING BRACKET SLIDE BLOCK	545174-452	NEEDLE VIBRATING ADJUSTING LEVER STOP SCREW (LEFT)
* 502783	NEEDLE VIBRATING ADJUSTING GUIDE CRANK SHAFT	* 545361-452	FEED REGULATING CONNECTION SHAFT COLLAR SET SCREW (2)
* 502788	NEEDLE VIBRATING ADJUSTING SHAFT RETAINER	* 545361-452	NEEDLE VIBRATING ADJUSTING SHAFT CLAMPING BRACKET SCREW
* 502793	NEEDLE VIBRATING ADJUSTING BRACKET STUD SNAP RING (2)	* 549168	NEEDLE VIBRATING ADJUSTING GUIDE CRANK SET SCREW

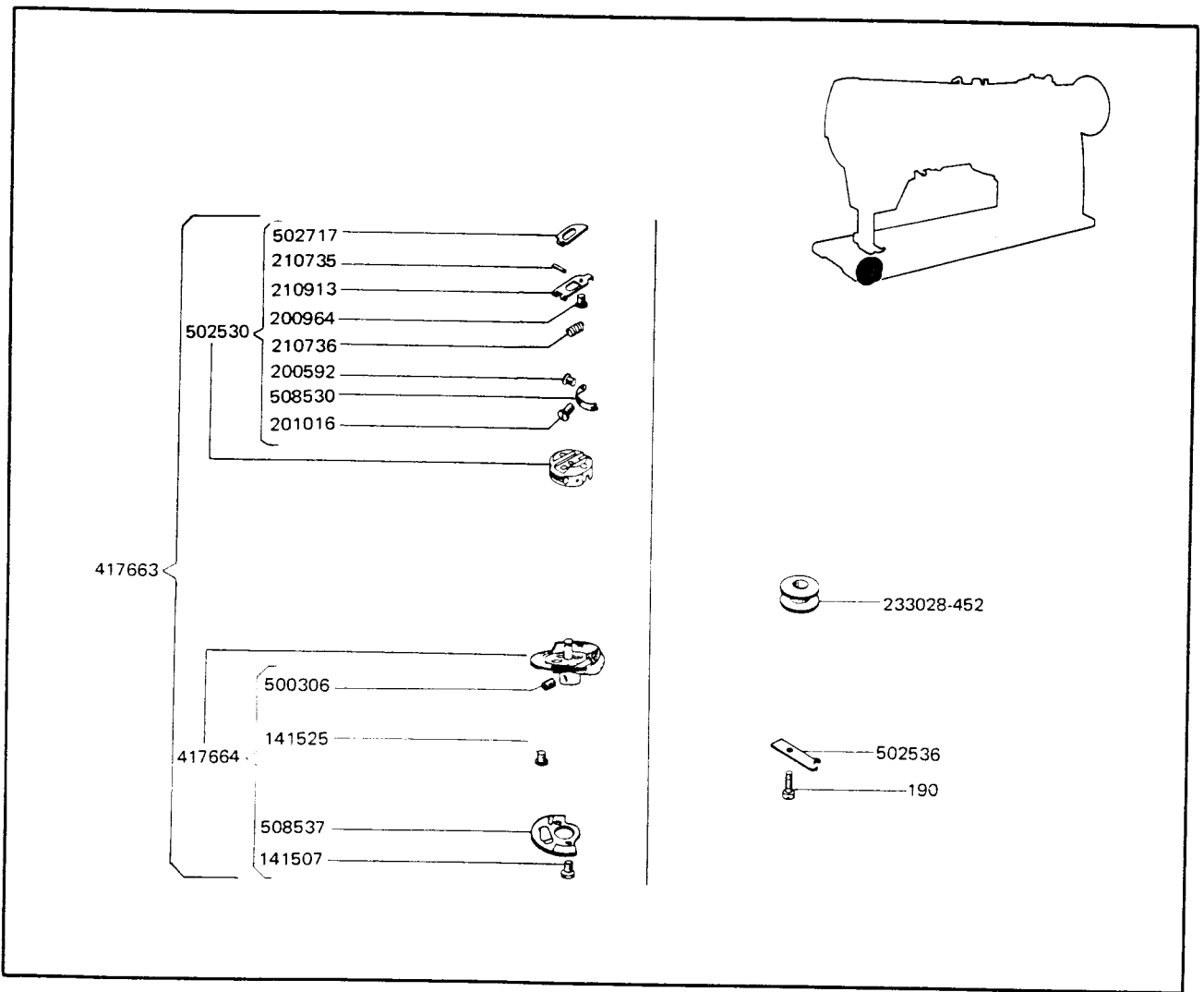


50429-833	ARM COVER (TOP) THREAD TENSION STUD SET SCREW	502986	PRESSER FOOT PRESSURE ADJ. HOLE PLUG
411089	ARM COVER (TOP) CPL. NOS. 50429, 411090, 411092, 411093, 411101, 411106, 500280, 502909, 502986, 508555 TO 508558, 508562 TO 508565, 541179, TWO EACH 502832, 508561 AND 544281	508553	BOBBIN WINDER SHAFT BUSHING (ECCENTRIC) SPRING SHACKLE
411090	ARM COVER (TOP)	508554	BOBBIN WINDER SHAFT BUSHING (ECCENTRIC) LINK STUD
411092	THREAD RETAINER	508555	BOBBIN WINDER SHAFT BUSHING (ECCENTRIC) SNAP RING
411093	BOBBIN WINDER SHAFT BUSHING (ECCENTRIC) CPL. NOS. 411094, 411095, 417882, 411178, 508553, 508554 AND TWO 547412	508556	BOBBIN WINDER SHAFT BUSHING (ECCENTRIC) THREAD GUARD
411094	BOBBIN WINDER SHAFT BUSHING (ECCENTRIC) WITH 411179	508557	BOBBIN WINDER SHAFT BUSHING (ECCENTRIC) COIL SPRING
411095	BOBBIN WINDER SHAFT WITH 411097	508558	BOBBIN WINDER SHAFT BUSHING (ECCENTRIC) COIL SPRING STUD
411097	BOBBIN SNAP SPRING	508561	ARM COVER (TOP) POSITION PIN (2)
411101	BOBBIN WINDER SHAFT BUSHING (ECCENTRIC) ROCKING LEVER	508562	ARM COVER (TOP) THREAD GUIDE STUD
411106	BOBBIN WINDER SHAFT BUSHING (ECCENTRIC) TRIP LEVER CPL. NOS. 411107, 411108, 543805-008 AND 544211-051	508563	ARM COVER (TOP) THREAD TENSION STUD
411107	BOBBIN WINDER SHAFT BUSHING (ECCENTRIC) TRIP LEVER (LONG)	508564	ARM COVER (TOP) THREAD TENSION STUD SPRING
411108	BOBBIN WINDER SHAFT BUSHING (ECCENTRIC) TRIP LEVER (SHORT)	508565	ARM COVER (TOP) THREAD TENSION STUD DISC
411178	BOBBIN WINDER SHAFT BUSHING (ECCENTRIC) CONNECTING LEVER	541179	THREAD RETAINER LOCK NUT
411179	BOBBIN WINDER SHAFT BUSHING (ECCENTRIC) BEARING	543805-008	BOBBIN WINDER SHAFT BUSHING (ECCENTRIC) TRIP LEVER SCREW WASHER
417882	BOBBIN WINDER SHAFT FRICTION WHEEL WITH 543871-020 AND 544203-003	543833-001	ARM COVER (TOP) SCREW GASKET RING (8)
500280-850	BOBBIN WINDER SHAFT BUSHING (ECCENTRIC) TRIP LEVER CAP SCREW	543871-020	BOBBIN WINDER SHAFT FRICTION WHEEL RING
502832	ARM COVER (TOP) PLUG (2)	544203-003	BOBBIN WINDER SHAFT FRICTION WHEEL SET SCREW (2)
502909	ARM COVER (TOP) GASKET	544211-051	BOBBIN WINDER SHAFT BUSHING (ECCENTRIC) TRIP LEVER SCREW
		544281	BOBBIN WINDER SHAFT BUSHING (ECCENTRIC) THREAD GUARD FASTENING SCREW (2)
		544284	ARM COVER (TOP) SCREW (SHORT) (4)
		544285	ARM COVER (TOP) SCREW (LONG) (4)
		547412	BOBBIN WINDER SHAFT BUSHING (ECCENTRIC) LINK STUD LOCKING WASHER (2)



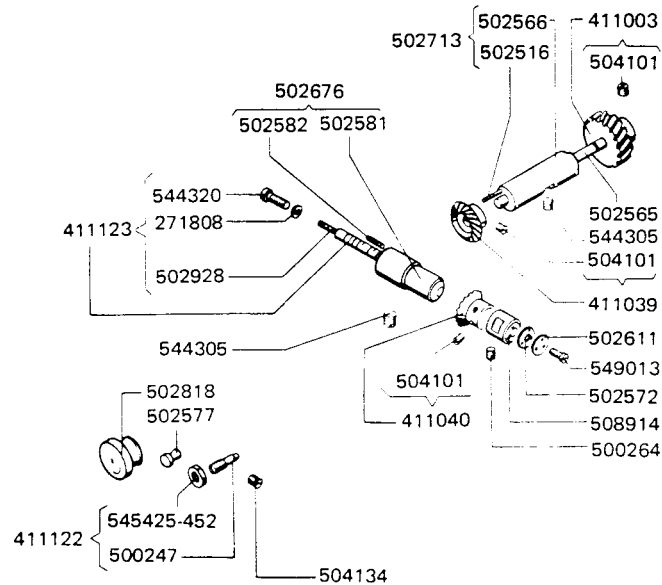
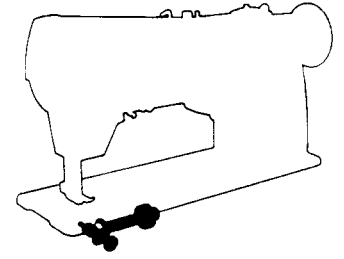
460-833	THREAD PULL OFF SET SCREW
460-833	PRETENSION BRACKET SCREW
460-833	PRETENSION BRACKET SET SCREW
50305-850	TENSION STUD SET SCREW
210958	PRETENSION STUD COLLAR
210993	PRETENSION SLEEVE
270086	TENSION RELEASING PIN
272208	PRETENSION SPRING
272219	TENSION SPRING
411017	PRETENSION CPL. NOS., 210958, 210993, 272208, 411018, 411019 AND 411021
411018	PRETENSION STUO
411019	PRETENSION ADJUSTING NUT CPL. NOS., 411020 AND 541181
411020	PRETENSION ADJUSTING NUT SPRING
411021	PRETENSION BRACKET WITH 460

411025	TENSION CPL. NOS., 272219, 411026, 411153 TO 411155, 411158, 509076, 541182 AND TWO 411152
411026	THREAD TAKE-UP SPRING REGULATOR WITH 50305
411152	TENSION FELT WASHER (2)
411154	TENSION THUMB NUT LOCK WASHER
411155	TENSION WHEEL
411158	TENSION STUD
500246-850	THREAD GUIDE SCREW (2)
502665	THREAD GUIDE
502666	THREAD PULL OFF
502668	THREAD TAKE-UP SPRING
509076	TENSION RELEASING DISC
541181	PRETENSION ADJUSTING NUT
541182	TENSION THUMB NUT
544303	THREAD REGULATOR SET SCREW



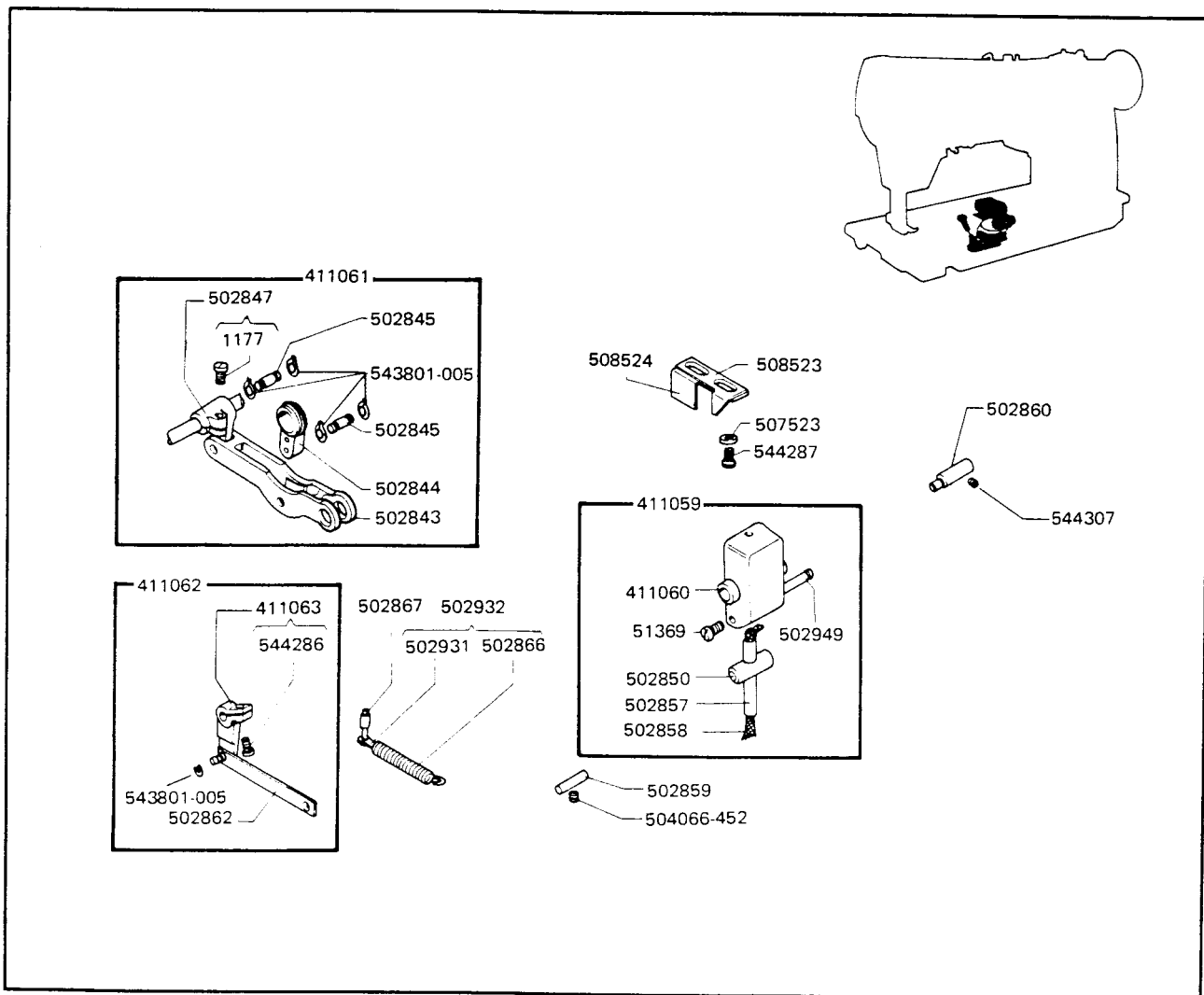
190-850	BOBBIN CASE STOP SCREW
141507-803	HOOK NEEDLE GUARD AND COUNTERBALANCE SCREW
141525-806	HOOK GIB SCREW (3)
200592-803	BOBBIN CASE CAP TENSION SPRING SCREW
200964-803	BOBBIN CASE LATCH STOP SCREW
201016-803	BOBBIN CASE CAP TENSION SPRING REGULATING SCREW
210735	BOBBIN CASE FULCRUM PIN
210736	BOBBIN CASE LATCH SPRING
210913	BOBBIN CASE LATCH
233028-452	BOBBIN

417663	HOOK AND BOBBIN CASE CPL. NOS. 502530 AND 417664
417664	HOOK WITH 141507, 508537, TWO 500306 AND THREE 141525
500306-869	HOOK SET SCREW (2)
502530	BOBBIN CASE CAP WITH 200592, 200964, 201016, 210735, 210736, 210913, 502717 AND 508530
502536	BOBBIN CASE STOP
502717	BOBBIN CASE LATCH LEVER
508530	BOBBIN CASE CAP TENSION SPRING
508537	HOOK NEEDLE GUARD AND COUNTERBALANCE

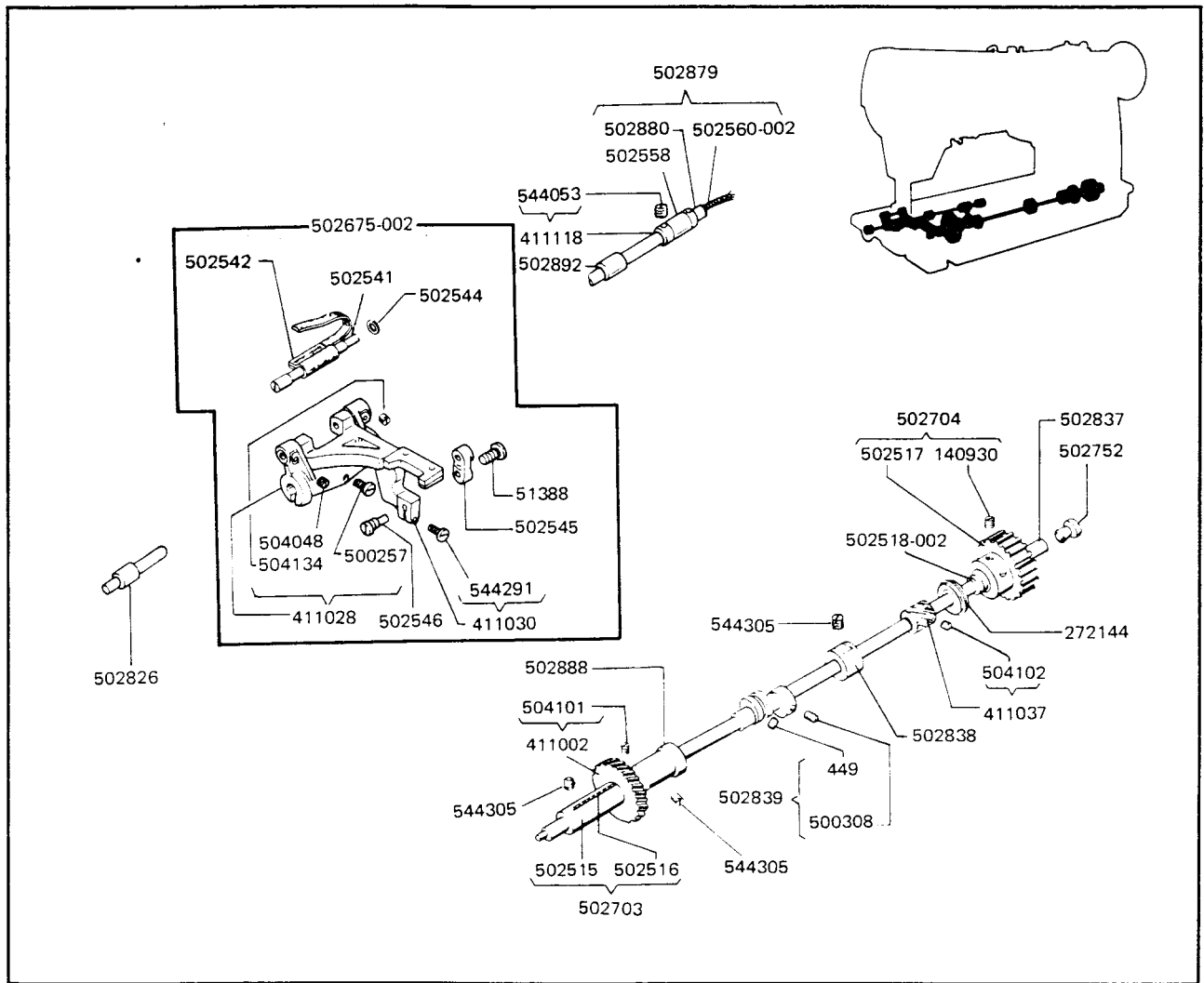


271808	HOOK SHAFT OIL FILTER WICK HOLDER SEAL
411003	HOOK DRIVING SHAFT HELICAL GEAR WITH TWO 504101
411039	HOOK DRIVING SHAFT BEVEL GEAR WITH TWO 504101
411040	HOOK SHAFT BEVEL GEAR WITH TWO 504101
411122	HOOK OIL REGULATING SCREW CPL. NOS., 500247 AND 545425-452
411123	HOOK SHAFT WITH 271808, 502928 AND 544320
500247-833	HOOK OIL REGULATING SCREW
500264-833	HOOK SHAFT BUSHING (FRONT) SET SCREW
502516	HOOK DRIVING SHAFT BUSHING WICK
502565	HOOK DRIVING SHAFT
502566	HOOK DRIVING SHAFT BUSHING
502572	HOOK SHAFT BUSHING CAP GASKET
502577	HOOK SHAFT GEAR BOX PLUG
502581	HOOK SHAFT BUSHING (BACK)
502582	HOOK SHAFT BUSHING (BACK) WICK
502611	HOOK SHAFT BUSHING CAP

502676	HOOK SHAFT BUSHING (BACK) CPL. NOS., 502581 AND 502582
502713	HOOK DRIVING SHAFT BUSHING CPL. NOS., 502516 AND 502566
502818	HOOK SHAFT GEAR BOX VENT CAP
502928	HOOK SHAFT OIL FILTER FELT
504101	HOOK DRIVING SHAFT HELICAL GEAR SET SCREW (2)
504101	HOOK DRIVING SHAFT BEVEL GEAR SET SCREW (2)
504101	HOOK SHAFT BEVEL GEAR SET SCREW (2)
504134	HOOK OIL BYPASS PLUG SCREW
508914	HOOK SHAFT BUSHING (FRONT)
544305	HOOK DRIVING SHAFT BUSHING SET SCREW
544305	HOOK SHAFT BUSHING (BACK) SET SCREW
544320	HOOK SHAFT OIL FILTER WICK HOLDER
545425-452	HOOK OIL REGULATING SCREW LOCK NUT
549013	HOOK SHAFT BUSHING (FRONT) CAP SCREW (3)

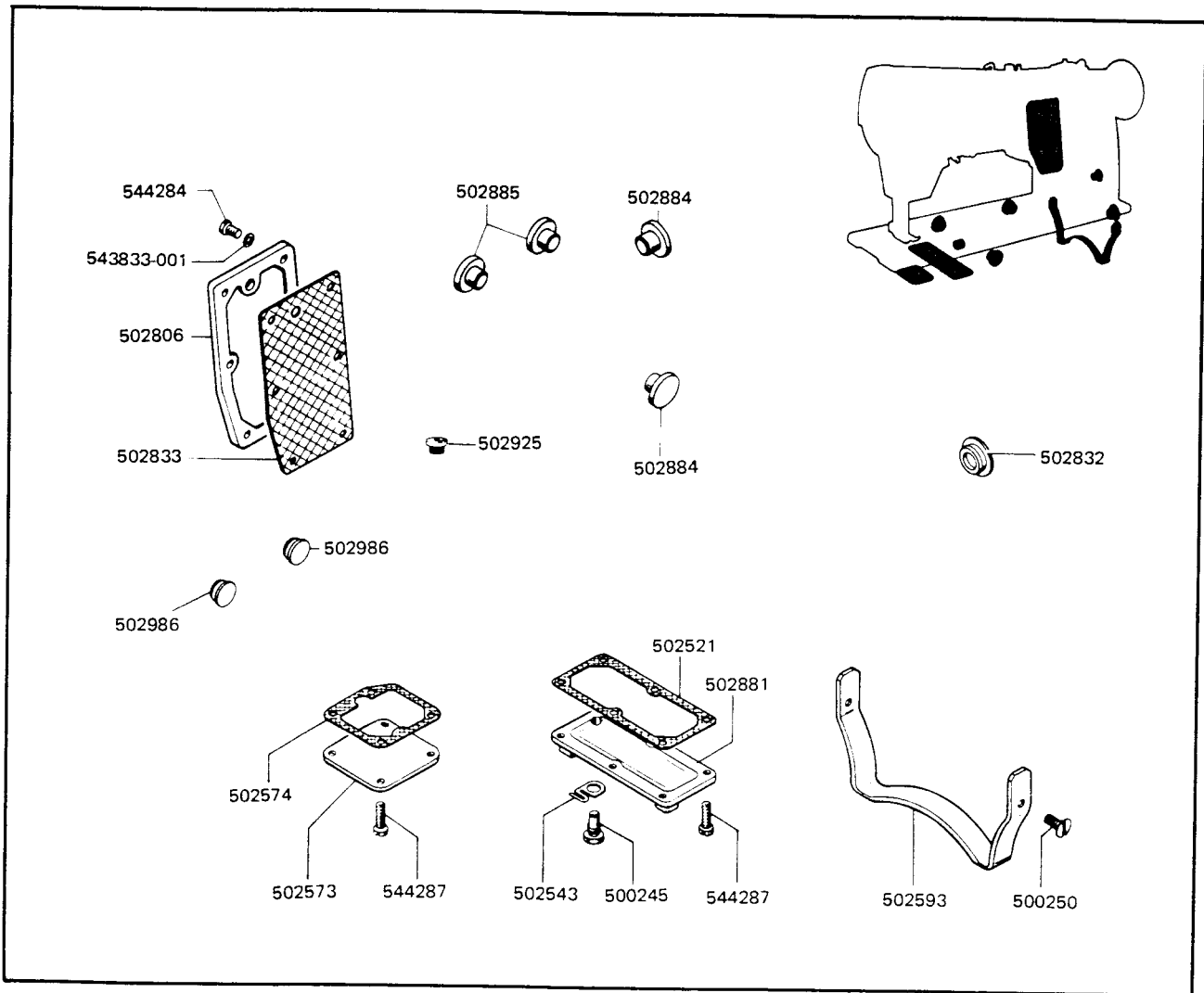


1177-850	FEED DRIVING CONNECTION CRANK PINCH SCREW	502867	FEED DRIVING CONNECTION CARRIER FRAME SPRING STUD (BED SIDE)
51369-850	FEED DRIVING CONNECTION CARRIER FRAME SLIDE STUD SET SCREW	502931	FEED DRIVING CONNECTION CARRIER FRAME SPRING RETAINER
411059	FEED DRIVING CONNECTION CARRIER FRAME CPL. NOS., 51369, 411060, 502850, 502857, 502858 AND 502949	502932	FEED DRIVING CONNECTION CARRIER FRAME SPRING CPL. NOS., 502866 AND 502931
411060	FEED DRIVING CONNECTION CARRIER FRAME	502949	FEED DRIVING CONNECTION CARRIER FRAME SPRING STUD
411061	FEED DRIVING CONNECTION CPL. NOS., 502843, 502844, 502847, TWO 502845 AND FOUR 543801-005	504066-452	FEED DRIVING CONNECTION CARRIER FRAME STUD (LEFT) SET SCREW
411062	FEED REGULATING CONNECTION SHAFT CRANK AND LINK CPL. NOS., 411063, 502862 AND 543801-005	507523	FEED DRIVING CONNECTION CARRIER FRAME STOP SCREW WASHER (2)
411063	FEED REGULATING CONNECTION SHAFT CRANK WITH 544286	508523	FEED DRIVING CONNECTION CARRIER FRAME STOP (BACK)
502843	FEED DRIVING CONNECTION LEVER	508524	FEED DRIVING CONNECTION CARRIER FRAME STOP (FRONT)
502844	FEED DRIVING CONNECTION LINK	543801-005	FEED DRIVING CONNECTION LEVER HINGE PIN RETAINER (4)
502845	FEED DRIVING CONNECTION LEVER HINGE PIN (2)	543801-005	FEED REGULATING CONNECTION SHAFT CRANK LINK RETAINING RING
502847	FEED DRIVING CONNECTION CRANK WITH 1177	544286	FEED REGULATING CONNECTION SHAFT CRANK PINCH SCREW
502850	FEED DRIVING CONNECTION LEVER SLIDE BEARING	544287	FEED DRIVING CONNECTION CARRIER FRAME STOP SCREW (2)
502857	FEED DRIVING CONNECTION CARRIER FRAME SLIDE STUD	544307	FEED DRIVING CONNECTION CARRIER FRAME STUD (RIGHT) SET SCREW
502858	FEED DRIVING CONNECTION CARRIER FRAME SLIDE STUD OIL WICK		
502859	FEED DRIVING CONNECTION CARRIER FRAME BEARING STUD (LEFT)		
502860	FEED DRIVING CONNECTION CARRIER FRAME BEARING STUD (RIGHT)		
502862	FEED REGULATING CONNECTION SHAFT CRANK LINK		
502866	FEED DRIVING CONNECTION CARRIER FRAME SPRING		



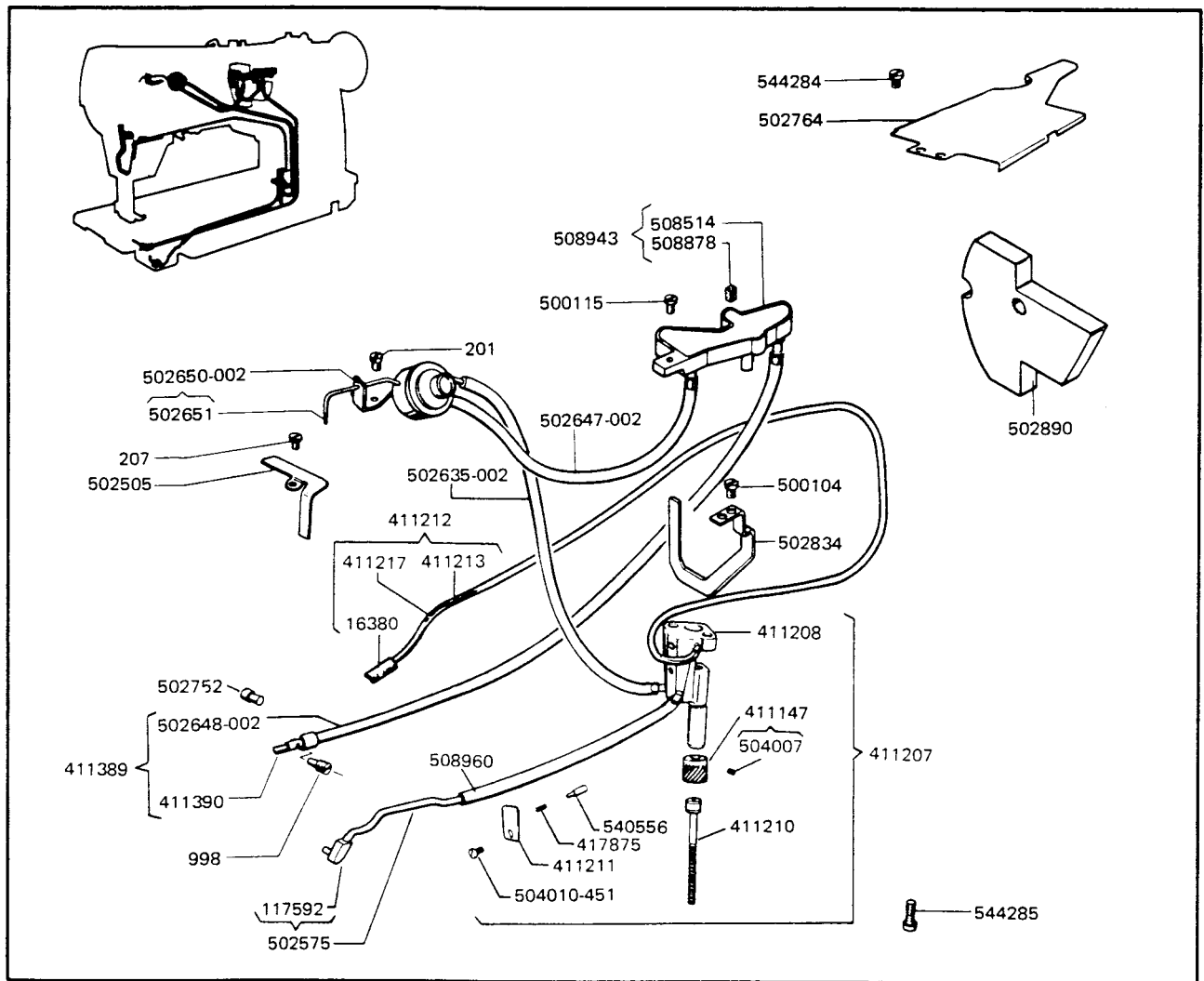
449-833	FEED DRIVING ECCENTRIC SET SCREW
51388-850	FEED BAR LIFTING LINK PIN CAP SCREW
140930-869	BED SHAFT CONNECTION BELT PULLEY SET SCREW (2)
272144	BED SHAFT BALL BEARING
411002	BED SHAFT GEAR WITH TWO 504101
411028	FEED DRIVING ROCK SHAFT CRANK WITH 500257, 504048 AND 504134
411030	FEED BAR WITH 544291
411037	OIL PUMP DRIVING GEAR WITH TWO 504102
411118	FEED DRIVING ROCK SHAFT COLLAR (2) WITH TWO 544053
500257-850	FEED DRIVING ROCK SHAFT CRANK PINCH SCREW
500308-833	FEED DRIVING ECCENTRIC POSITION SCREW
502515	BED SHAFT BUSHING (FRONT)
502516	BED SHAFT BUSHING (FRONT) OIL WICK
502517	BED CONNECTION BELT PULLEY
502518-002	BED CONNECTION BELT PULLEY SPACER
502541	FEED BAR HINGE PIN
502542	FEED BAR HINGE PIN OILING FELT
502544	FEED BAR HINGE PIN THRUST WASHER (2)
502545	FEED BAR LIFTING LINK
502546	FEED BAR LIFTING LINK HINGE PIN
502558	FEED DRIVING ROCK SHAFT BUSHING (BACK)
502560-002	FEED DRIVING ROCK SHAFT OIL WICK

502675-002	FEED DRIVING ROCK SHAFT CRANK CPL. NOS. 51388, 411028, 411030, 502541, 502542, 502545, 502546 AND TWO 502544
502703	BED SHAFT BUSHING (FRONT) CPL. NOS., 502515 AND 502516
502704	BED SHAFT CONNECTION BELT PULLEY CPL. NOS., 502517 AND TWO 140930
502752	BED SHAFT OIL HOLE PLUG
502826	FEED DRIVING ROCK SHAFT BUSHING (FRONT)
502837	BED SHAFT
502838	BED SHAFT BUSHING (BACK)
502839	FEED DRIVING ECCENTRIC WITH 449 AND 500308
502879	FEED DRIVING ROCK SHAFT CPL. NOS., 502560-002 AND 502880
502880	FEED DRIVING ROCK SHAFT
502888	BED SHAFT BUSHING (CENTER)
502892	FEED DRIVING ROCK SHAFT BUSHING (CENTER)
504048	FEED BAR HINGE PIN SET SCREW (SHORT)
504101	BED SHAFT GEAR SET SCREW (2)
504102	OIL PUMP DRIVING GEAR SET SCREW (2)
504134	FEED BAR HINGE PIN SET SCREW (LONG)
544053	FEED DRIVING SHAFT COLLAR SET SCREW (4)
544291	FEED BAR LIFTING LINK HINGE PIN SCREW
544305	BED SHAFT BUSHING SET SCREW (3)



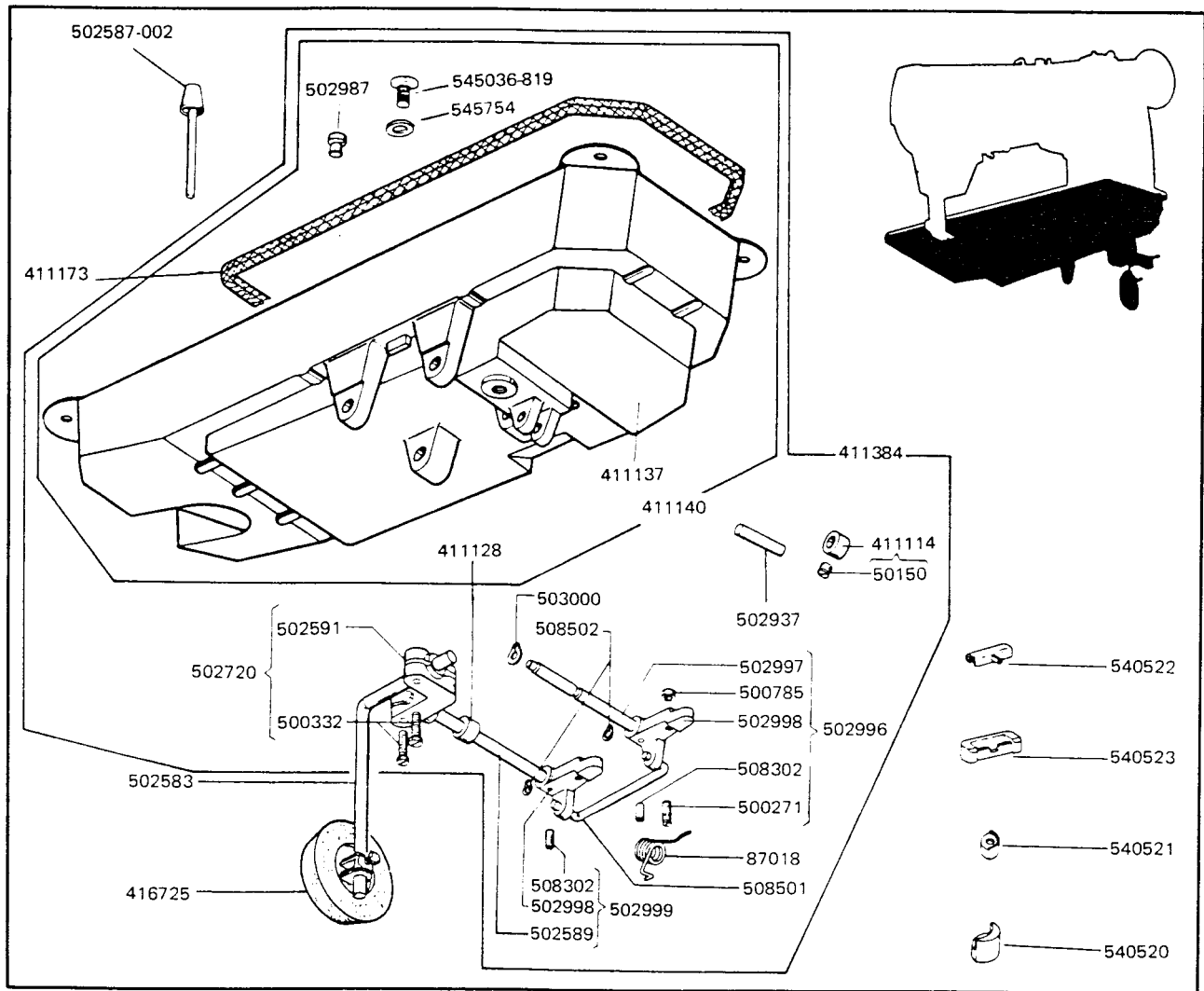
500245-850 BED SHAFT GEAR BOX COVER DRAIN SCREW
 500250 MACHINE LEG SCREW (2)
 502521 BED SHAFT GEAR BOX COVER GASKET
 502543 FEED BAR HINGE PIN OILING FELT CLAMP
 502573 HOOK SHAFT GEAR BOX COVER
 502574 HOOK SHAFT GEAR BOX COVER GASKET
 502593 MACHINE LEG
 502806 ARM COVER (BACK)
 502832 FEED REGULATING SHAFT PLUG
 502833 ARM COVER (BACK) GASKET

502881 BED SHAFT GEAR BOX COVER
 502884 BED PLUG (FRONT AND REAR SIDE) (2)
 502885 BED PLUG (BACK) (2)
 502925 BED PLUG SCREW
 502986 NEEDLE VIBRATING ADJUSTING CRANK SHAFT HOLE
 PLUG (2)
 543833-001 ARM COVER (BACK) SCREW GASKET (6)
 544284 ARM COVER SCREW (6)
 544287 BED SHAFT GEAR BOX COVER SCREW (6)
 544287 HOOK SHAFT GEAR BOX COVER SCREW (4)



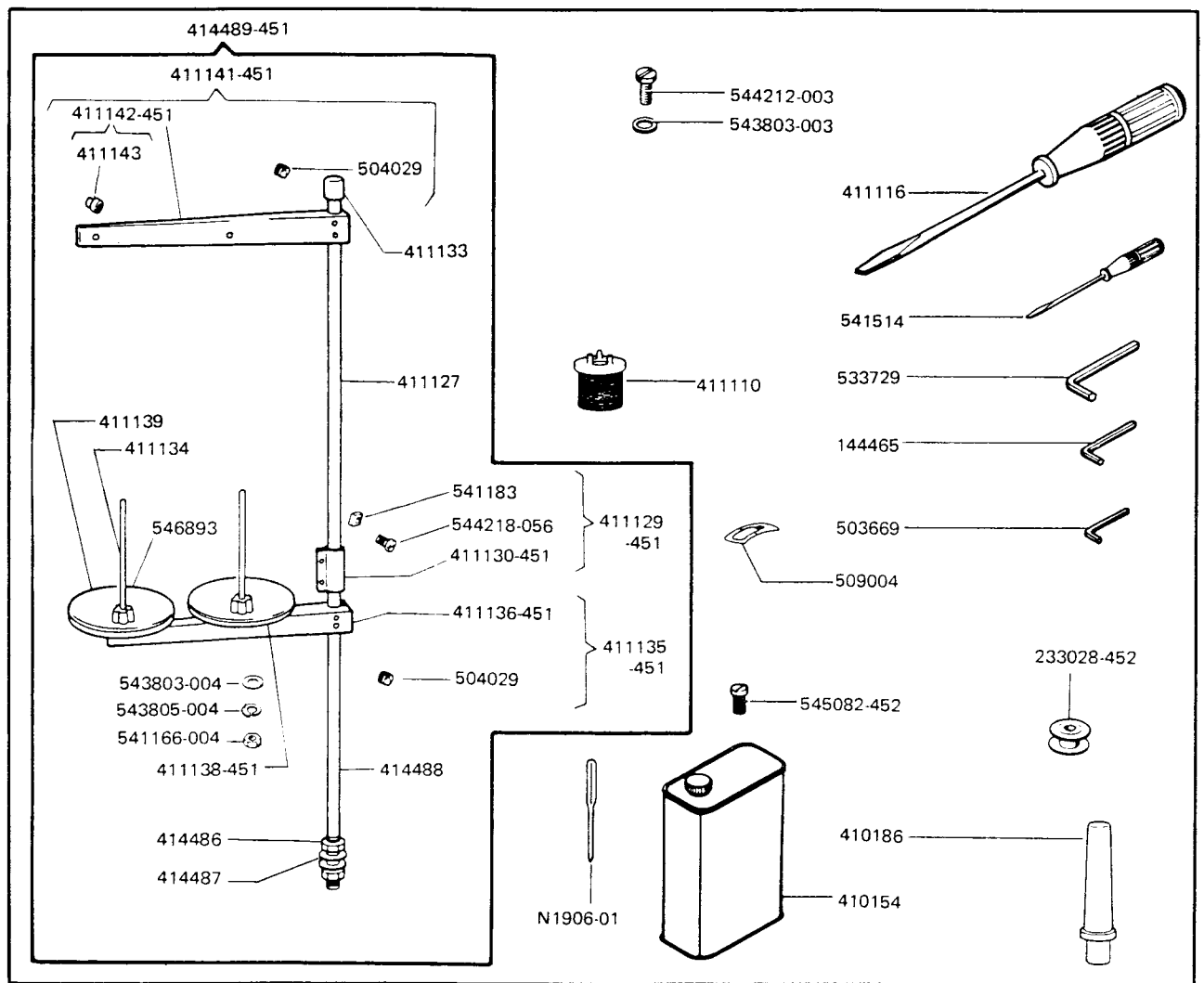
201-850	OIL SIGHT BODY SCREW (2)
207-850	HEAD END OIL DRAIN WICK CLAMP SCREW
998-833	OIL RETURN TUBE SCREW
16380	OIL REMOVING LINT SCREEN
117592	HOOK SHAFT GEAR BOX OIL PIPE CONNECTOR
411147	OIL PUMP GEAR WITH TWO 504007
411207	OIL PUMP BODY CPL. NOS., 411147, 411208, 411210, 411211, 504010-451, 540556 AND 417875
411208	OIL PUMP BODY
411210	OIL PUMP SCREW SHAFT
411211	OIL REMOVING PUMP PISTON SPRING BRACKET
411212	OIL REMOVING TUBE, OIL REMOVING LINT SCREEN CPL. NOS., 16380, 411213 AND 411217
411213	OIL REMOVING TUBE
411217	OIL REMOVING TUBE WIRE
411389	OIL RETURN TUBE LOWER (LONG) CPL. NOS., 502648-002 AND 411390
411390	OIL RETURN TUBE
417875	OIL REMOVING PUMP PISTON SPRING
500104-850	ARM OIL SHIELD (AERATED PLASTIC) RETAINER SCREW (2)
500115-850	OIL DISTRIBUTOR PLATE SCREW

502505	HEAD END OIL DRAIN WICK CLAMP (FRONT)
502575	HOOK SHAFT GEAR BOX OIL PIPE WITH 117592
502635-002	OIL DELIVERY TUBE
502647-002	OIL RETURN TUBE UPPER (SHORT)
502648-002	OIL RETURN TUBE LOWER (LONG)
502650-002	OIL SIGHT BODY WITH 502651
502651	OIL SIGHT WICK
502752	BED SHAFT BUSHING (CENTER) OIL HOLE PLUG
502764	OIL GUARD
502834	ARM OIL SHIELD (AERATED PLASTIC) RETAINER
502890	ARM OIL SHIELD (AERATED PLASTIC)
504007	OIL PUMP GEAR SET SCREW (2)
504010-451	OIL REMOVING PUMP PISTON SPRING BRACKET SET SCREW
508514	OIL DISTRIBUTOR PLATE
508878	OIL DISTRIBUTOR PLATE FOAM PAD
508943	OIL DISTRIBUTOR PLATE CPL. NOS., 508514 AND 508878
508950	HOOK SHAFT GEAR BOX OIL PIPE
540556	OIL REMOVING PUMP PISTON
544284	OIL GUARD SCREW (2)
544285	OIL PUMP MOUNTING SCREW (2)



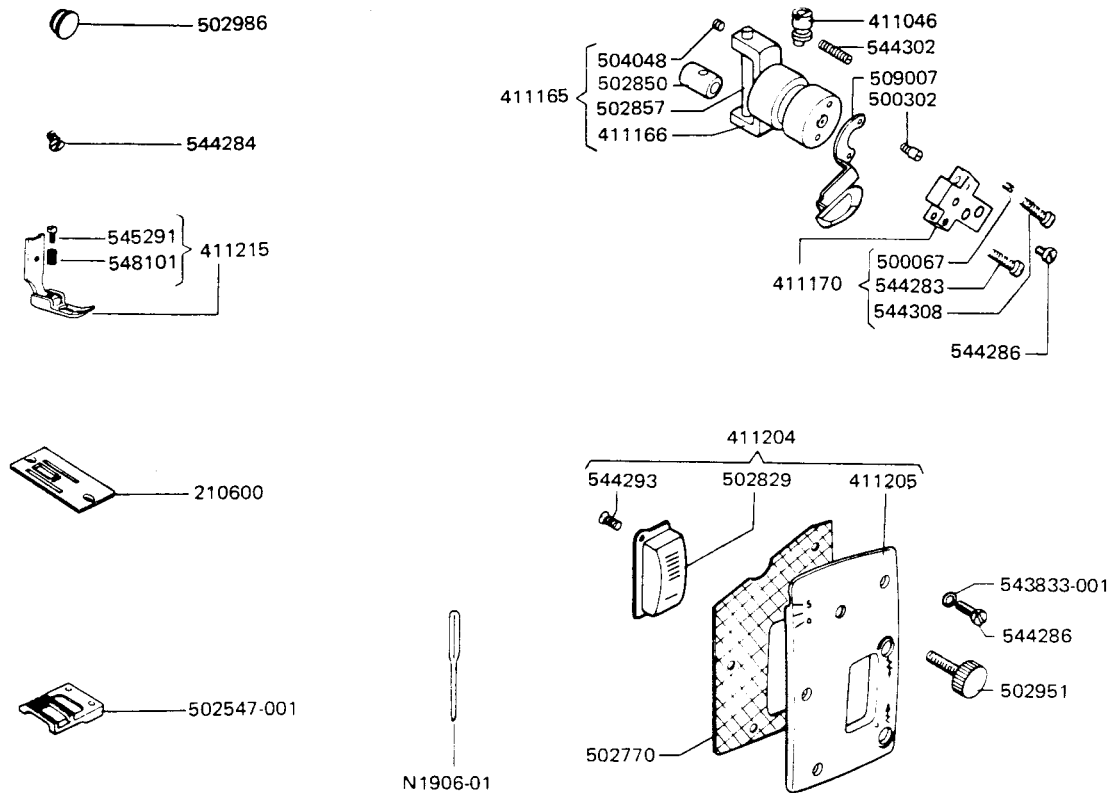
50150-833	FEED REVERSING FOOT CONTROL LEVER PIN COLLAR SET SCREW
87018	KNEE LIFTER RETURNING SPRING
411114	FEED REVERSING FOOT CONTROL LEVER PIN COLLAR WITH 50150
411128	KNEE LIFTER ROCK SHAFT SPACER
411137	MACHINE BASE AND OIL RESERVOIR
411140	MACHINE BASE AND OIL RESERVOIR (CPL.) NOS., 411128, 411137, 502987, 545036-819 AND 545754
411173	MACHINE BASE AND OIL RESERVOIR CUSHION
411384	OIL RESERVOIR AND KNEE LIFTER ASS'Y NOS., 87018, 411114, 411140, 502720, 502937, 502996, 503000, 508501 AND TWO 508502
416725	KNEE LIFTER KNEE PLATE CPL.
500271-833	KNEE LIFTER CONTROL SHAFT CRANK STOP SCREW
500332-850	KNEE LIFTER ROCK SHAFT HUB PINCH SCREW (2)
500785-850	KNEE LIFTER CONTROL SHAFT CRANK STOP SCREW NUT
502583	KNEE LIFTER KNEE PLATE ARM
502587-002	KNEE LIFTER PLUNGER
502589	KNEE LIFTER ROCK SHAFT
502591	KNEE LIFTER ROCK SHAFT HUB
502720	KNEE LIFTER ROCK SHAFT HUB WITH TWO 500332
502937	FEED REVERSING FOOT CONTROL LEVER PIN

502997	FEED REVERSING PLUNGER HOLE PLUG
502996	KNEE LIFTER CONTROL SHAFT CPL. NOS., 500271, 500785, 502997, 502998 AND 508302
502997	KNEE LIFTER CONTROL SHAFT
502998	KNEE LIFTER CONTROL SHAFT CRANK
502998	KNEE LIFTER ROCK SHAFT CRANK
502999	KNEE LIFTER ROCK SHAFT CPL. NOS., 502589, 502998 AND 508302
503000	KNEE LIFTER CONTROL SHAFT GRIP RING
508302	KNEE LIFTER CONTROL SHAFT CRANK PIN
508302	KNEE LIFTER ROCK SHAFT CRANK PIN
508501	KNEE LIFTER ROCK SHAFT CONNECTION
508502	KNEE LIFTER ROCK SHAFT CONNECTION GRIP RING (2)
540520	MACHINE BASE AND OIL RESERVOIR CUSHION (FRONT) WITH TWO WIRE NAIL (2)
540521	MACHINE BASE AND OIL RESERVOIR CUSHION (BACK) WITH TWO WIRE NAIL (2)
540522	MACHINE HINGE (2)
540523	MACHINE HINGE CONNECTION CUSHION (2)
545036-819	MACHINE BASE AND OIL RESERVOIR DRAIN PLUG SCREW
545754	MACHINE BASE AND OIL RESERVOIR DRAIN PLUG SCREW GASKET



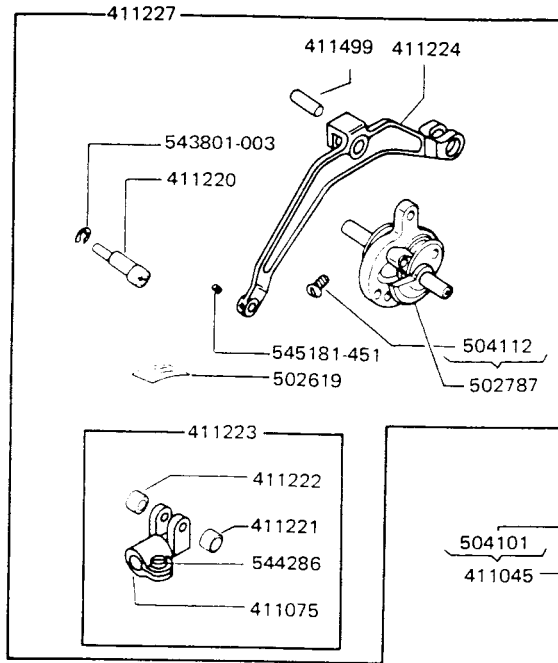
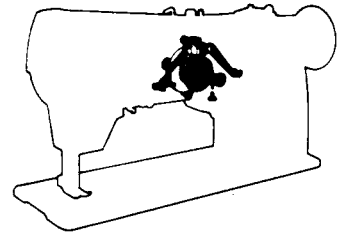
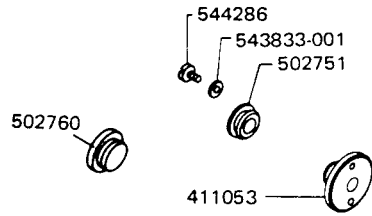
* N1906-01	NEEDLE (CAT. NO. 1906-01, #14) (5)	544212-003	MACHINE GROUNDING WIRE SCREW
144465	WRENCH (1/8 INCH HEXAGON)	543803-003	THREAD UNWINDER ROD CONNECTION SCREW (2)
233028-452	BOBBIN (2)		ATTACHMENT SCREW
410154	OIL CAN (750CC, FILLED WITH SINGER TYPE "C" OIL)		THREAD UNWINDER SPOOL HOLDER (2)
410186	MACHINE REST PIN		
411110	OIL FILTER		
411116	SCREW DRIVER (LARGE)		
411127	THREAD UNWINDER ROD		
411129-451	THREAD UNWINDER ROD CONNECTION CPL. NOS., 411130-451, TWO EACH 541183 AND 544218-056		
411130-451	THREAD UNWINDER ROD CONNECTION		
411133	THREAD UNWINDER ROD CAP		
411134	THREAD UNWINDER SPOOL (2)		
411135-451	THREAD UNWINDER SPOOL CARRIER ARM CPL. NOS., 411136-451 AND TWO 504029		
411136-451	THREAD UNWINDER SPOOL CARRIER ARM		
411138-451	THREAD UNWINDER SPOOL CARRIER PLATE (2)		
411139	THREAD UNWINDER SPOOL CARRIER PLATE CUSHION (2)		
411141-451	THREAD UNWINDER THREAD GUIDE CPL. NOS., 411142-451 AND TWO 504029		
411142-451	THREAD UNWINDER THREAD GUIDE WITH TWO 411143		
411143	THREAD UNWINDER THREAD GUIDE EYELET (2)		
414486	THREAD UNWINDER ROD LOCK NUT (2)		
414487	THREAD UNWINDER ROD LOCK NUT WASHER (2)		
414488	THREAD UNWINDER ROD		
414489-451	THREAD UNWINDER (2-SPOOLS) CPL. NOS., 411127, 411129-451, 411133, 411135-451, 411141-451, 414488, TWO EACH 411134, 411138-451, 411139, 541166-004, 543803- 004, 543805-004 AND 546893		
503669	WRENCH (5/64 INCH HEXAGON)		
504029	THREAD UNWINDER SPOOL CARRIER ARM SET SCREW (2)		
504029	THREAD UNWINDER THREAD GUIDE SET SCREW (2)		
509004	BOBBIN CASE ANTISPILLAGE SPRING		
533729	WRENCH (3mm HEXAGON)		
541166-004	THREAD UNWINDER SPOOL LOCK NUT (2)		
541183	THREAD UNWINDER ROD CONNECTION SCREW NUT (2)		
541514	SCREW DRIVER (SMALL)		
543803-003	MACHINE GROUNDING WIRE SCREW WASHER		
543805-004	THREAD UNWINDER SPOOL LOCK NUT WASHER (2)		
543805-004	THREAD UNWINDER SPOOL LOCK NUT SPRING WASHER (2)		
544212-003	MACHINE GROUNDING WIRE SCREW		
544218-056	THREAD UNWINDER ROD CONNECTION SCREW (2)		
545082-452	ATTACHMENT SCREW		
546893	THREAD UNWINDER SPOOL HOLDER (2)		

PARTS FOR MACHINE 457U125



** N1906-01	NEEDLE (CAT. NO. 1906-01, =12)	502829	STITCH LENGTH INDICATOR PLATE
** N1906-01	NEEDLE (CAT. NO. 1906-01, =12) (5) (FOR ACCESSORIES)	502850	NEEDLE BAR YOKE CONNECTING LINK SLIDE BEARING
** 210600	THROAT PLATE	502857	NEEDLE BAR YOKE CONNECTING LINK SLIDE STUD
411046	NEEDLE POSITION ADJUSTING CAM REGULATING STUD	** 502951-850	NEEDLE POSITION ADJUSTING CAM SET SCREW
** 411165	NEEDLE BAR YOKE CONNECTING LINK CARRIER FRAME AND BLOCK CPL. NOS., 411166, 502850, 502857 AND TWO 504048	** 502986	NEEDLE VIBRATING ADJUSTING CRANK SHAFT HOLE PLUG (2)
** 411166	NEEDLE BAR YOKE CONNECTING LINK CARRIER FRAME	504048	NEEDLE BAR YOKE CONNECTING LINK SLIDE STUD SET SCREW (2)
** 411170	NEEDLE POSITION ADJUSTING CAM SLIDE BLOCK BRACKET CPL. NOS., 544283, 544308 AND TWO 500067-833	509007	NEEDLE POSITION ADJUSTING LEVER
** 411204	ARM COVER (FRONT) CPL. NOS., 411205, 502829 AND TWO 544293	543833-001	ARM COVER (FRONT) SCREW GASKET RING (3)
** 411205	ARM COVER (FRONT)	** 544283	NEEDLE POSITION ADJUSTING CAM STOP SCREW (UPPER)
** 411215	PRESSER FOOT CPL. NOS., 545291 AND 548101	544284	ARM COVER (FRONT) PLUG SCREW
500067-833	NEEDLE POSITION ADJUSTING CAM STOP SCREW SET SCREW (2)	544286	NEEDLE POSITION ADJUSTING CAM SLIDING BLOCK BRACKET SCREW (2)
500302-850	NEEDLE POSITION ADJUSTING ECCENTRIC STOP SCREW (2)	544286	ARM COVER (FRONT) SCREW (3)
** 502547-001	FEED DOG	544293	STITCH LENGTH INDICATOR PLATE SCREW (2)
502770	ARM COVER (FRONT) GASKET	544302	NEEDLE POSITION ADJUSTING CAM REGULATING STUD SET SCREW
		544308	NEEDLE POSITION ADJUSTING CAM STOP SCREW (LOWER)
		** 545291	PRESSER FOOT PLATE STOP SCREW
		** 548101	PRESSER FOOT PLATE STOP SCREW SPRING

PARTS FOR MACHINE 457U125

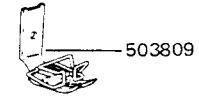
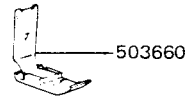
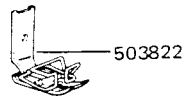
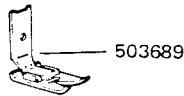
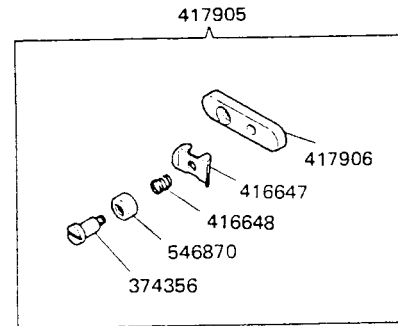
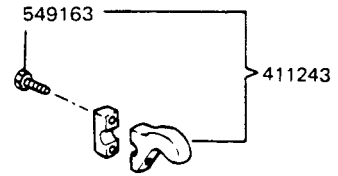
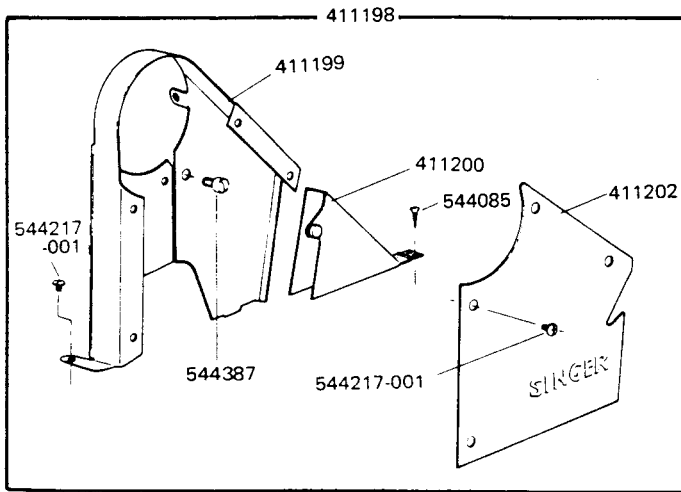


411045	NEEDLE VIBRATING ECCENTRIC SHAFT GEAR WITH TWO 504101	** 502619	NEEDLE BAR YOKE CONNECTING LINK HINGE BEARING FELT
411053	NEEDLE VIBRATING ECCENTRIC SHAFT BUSHING (BACK)	502751	NEEDLE VIBRATING CAM SHAFT BUSHING (BACK) PLUG
411075	NEEDLE BAR YOKE CONNECTING HINGE BEARING	502760	ARM HOLE PLUG
** 411220	NEEDLE BAR YOKE CONNECTING LINK HINGE STUD (ECCENTRIC)	502760	NEEDLE VIBRATING CAM SHAFT BUSHING (FRONT) PLUG
** 411221	NEEDLE BAR YOKE CONNECTING LINK HINGE BEARING BUSHING (FRONT)	502787	NEEDLE VIBRATING ECCENTRIC SHAFT
** 411222	NEEDLE BAR YOKE CONNECTING LINK HINGE BEARING BUSHING (BACK)	502825	NEEDLE VIBRATING CAM SHAFT BUSHING (FRONT)
** 411223	NEEDLE BAR YOKE CONNECTING LINK HINGE BEARING CPL. NOS. 411075, 411221, 411222 AND 544286	504101	NEEDLE VIBRATING ECCENTRIC SHAFT GEAR SET SCREW (2)
** 411224	NEEDLE BAR YOKE CONNECTING LINK	504112	NEEDLE BAR YOKE CONNECTING LINK STUD SCREW
** 411227	NEEDLE BAR YOKE CONNECTING LINK CPL. NOS. 411220, 411223, 411224, 502619, 502787, 411499, 543801-003 AND 545181-451	** 543801-003	NEEDLE BAR YOKE CONNECTING LINK HINGE STUD SNAP RING
411499	NEEDLE BAR YOKE CONNECTING LINK STUD	543833-001	NEEDLE VIBRATING ECCENTRIC SHAFT BUSHING (BACK) SCREW GASKET (2)
500303-869	NEEDLE VIBRATING CAM SHAFT BUSHING (FRONT) SET SCREW	544286	NEEDLE BAR YOKE CONNECTING LINK HINGE BEARING PINCH SCREW
502577	NEEDLE VIBRATING CAM SHAFT BUSHING (FRONT) SET SCREW PLUG	544286	NEEDLE VIBRATING ECCENTRIC SHAFT BUSHING (BACK) SCREW (2)
		544782	NEEDLE POSITION FINE ADJUSTMENT HOLE PLUG
		** 545181-451	NEEDLE BAR YOKE CONNECTING LINK HINGE BEARING STUD (ECCENTRIC) SCREW

NUMERICAL PART NUMBER FOR 457U105/125

PART NO.	PAGE	PART NO.	PAGE	PART NO.	PAGE	PART NO.	PAGE
86-850	4	411009	2	411118	13	414486	17
129-850	7	411010	2	411120	3	414487	17
190-850	10	411014	1	411122	11	414488	17
201-850	15	411015	1	411123	11	414489-451	17
207-850	15	411016	1	411124	6	416647	20
223	4	411017	9	411127	17	416648	20
237-833	1	411018	9	411128	16	416725	16
238	4	411019	9	411129-451	17	417663	10
449-833	13	411020	9	411130-451	17	417664	10
460-833	9	411021	9	411131	4	417875	15
998-833	15	411023	3	411132	4	417882	8
1177-850	12	411024	3	411133	17	417893	3
1349-850	3	411025	9	411134	17	417894	3
1454-850	1	411026	9	411135-451	17	417895	2
16380	15	411028	13	411136-451	17	417905	20
50150-833	16	411030	13	411137	16	417906	20
50305-850	9	411032	2	411138-451	17	500067-833	6, 18
50429-833	1, 8	411035	4	411139	17	500104-850	15
50624-833	4	411037	13	411140	16	500115-850	2, 15
51369-850	2, 4, 6, 7, 12	411039	11	411141-451	17	500244	2, 4
51388	13	411040	11	411142-451	17	500245-850	14
87018	16	411041	7	411143	17	500246-850	1, 9
117592	15	411042	7	411147	15	500247-833	11
140930-869	13	411044	7	411149	7	500250	14
141507-803	10	411045	5, 19	411150	7	500256	4
141525-806	10	411046	6, 18	411152	9	500257-850	13
141567-833	2	411047	7	411153	9	500260-833	3
144465	17	411051	6	411154	9	500261-850	3
200592-803	10	411053	5, 19	411155	9	500262-833	1
200964-803	10	411054	3	411158	9	500264-833	11
201016-803	10	411055	3	411165	18	500271-833	16
210505	4	411056	6	411166	18	500272-830	2
210600	18	411059	12	411170	18	500274-833	2
210735	10	411060	12	411173	16	500280-850	8
210736	10	411061	12	411178	8	500302-850	6, 18
210913	10	411062	12	411179	8	500303-869	5, 19
210958	9	411063	12	411180	3	500306-869	10
210993	9	411065	7	411183	2	500307-850	2
214206	2	411068	6	411184	7	500308-833	13
230743	1	411069	6	411198	20	500309-850	7
233028-452	10, 17	411070	6	411199	20	500310-833	7
270086	9	411071	6	411200	20	500312-850	3
270161	2	411073	5	411202	20	500332-850	16
270266	2	411074	5	411204	18	500785-850	16
271808	11	411075	5, 19	411205	18	502505	15
272128	1	411077	7	411207	15	502508	2
272142	2	411078	7	411208	15	502509	2
272143	2	411082	7	411210	15	502510	2
272144	13	411083	2	411211	15	502515	13
272208	9	411085	1	411212	15	502516	3, 11, 13
272219	9	411086	1	411213	15	502517	13
276025	4	411088	1	411215	18	502518-002	13
276027	3	411089	8	411217	15	502521	14
276051	1	411090	8	411220	19	502530	10
276114	2	411092	8	411221	19	502536	10
276508	1	411093	8	411222	19	502541	13
374283	2	411094	8	411223	19	502542	13
374356	20	411095	8	411224	19	502543	14
410154	17	411097	8	411227	19	502544	13
410186	17	411101	8	411243	20	502545	13
411001	4	411106	8	411246	6	502546	13
411002	13	411107	8	411384	16	502547-001	18
411003	11	411108	8	411385	2	502558	13
411004	2	411110	17	411389	15	502560-002	13
411005	2	411114	16	411390	15	502565	11
411007	2	411116	17	411499	5, 19	502566	11

457U OPTIONAL PARTS



374356 NEEDLE THREAD NIPPER HINGE SCREW
 411198 BELT GUARD CPL. NDS., 411199, 411200, 411202, 544387,
 TWO 544085 AND EIGHT 544217-001
 411199 BELT GUARD
 411200 BELT GUARD (LOWER)
 411202 BELT GUARD PLATE
 411243 FOOT CONTROL REVERSE FEED BLOCK WITH 549163
 416647 NEEDLE THREAD NIPPER THREAD GUIDE
 416648 NEEDLE THREAD NIPPER SPRING
 417905 NEEDLE THREAD NIPPER CPL.
 417906 NEEDLE THREAD NIPPER PLATE

** 503660 PRESSER FOOT
 * 503689 PRESSER FOOT
 ** 503809 PRESSER FOOT
 * 503822 PRESSER FOOT
 544085 BELT GUARD (LOWER) SCREW (WOOD) (2)
 544217-001 BELT GUARD SCREW (SMALL) (4)
 544217-001 BELT GUARD PLATE SCREW (4)
 544387 BELT GUARD SCREW (LARGE)
 546870 NEEDLE THREAD NIPPER SPRING CAP
 549163 FOOT CONTROL REVERSE FEED BLOCK SCREW

PART NO.	PAGE	PART NO.	PAGE	PART NO.	PAGE	PART NO.	PAGE
502572	11	502803	7	503822	20	543805-003	1
502573	14	502806	14	504007	15	543805-004	17
502574	14	502818	11	504010-451	15	543805-008	8
502575	15	502825	5, 19	504029	17	543833-001	5, 6, 8, 14, 18, 19
502577	5, 11, 19	502826	13	504048	6, 13, 18	543833-002	2, 3
502581	11	502829	6, 18	504066-452	12	543833-003	3
502582	11	502831	2	504101	2, 5, 11, 13, 19	543833-004	3
502583	16	502832	8, 14	504102	13	543871-020	8
502584	4	502833	14	504112	5, 19	544053	13
502586	3	502834	15	504134	11, 13	544085	20
502587-002	16	502835	7	504507	1	544211-051	8
502589	16	502837	13	504509-452	3	544212-003	17
502591	16	502838	13	507523	12	544217-001	20
502593	14	502839	13	508302	16	544218-056	17
502594	4	502843	12	508501	16	544281	8
502597	4	502844	12	508502	16	544282	7
502603	2	502845	12	508506	4	544283	7, 18
502608	4	502847	12	508507	4	544284	8, 14, 15, 18
502611	11	502849	7	508514	15	544285	8, 15
502619	19	502850	6, 12, 18	508523	12	544286	5, 6, 12, 18, 19
502622	1	502857	12, 18	508524	12	544287	12, 14
502635-002	15	502858	12	508530	10	544290	2
502647-002	15	502859	12	508537	10	544291	13
502648-002	15	502860	12	508553	8	544292	3
502650-002	15	502862	12	508554	8	544293	6, 18
502651	15	502866	12	508555	8	544295	3
502653	3	502867	12	508556	8	544296	3
502659	2	502868	7	508557	8	544298	1
502662	3	502871	7	508558	8	544300	2
502665	9	502878	7	508561	8	544301	4
502666	9	502879	13	508562	8	544302-850	6, 7, 18
502670	1	502880	13	508563	8	544303	9
502672	4	502881	14	508564	8	544305	11, 13
502674	4	502884	14	508565	8	544307	12
502675-002	13	502885	14	508585	2	544308	6, 18
502676	11	502888	13	508652	4	544320	11
502679	3	502890	15	508878	15	544387	20
502682	2	502892	13	508879-002	4	544782	19
502703	13	502909	8	508880	4	545036-819	16
502704	13	502922	7	508883	4	545082-452	1, 17
502713	11	502925	14	508884	4	545174-452	7
502717	10	502927	2	508914	11	545181-451	19
502720	16	502928	11	508943	15	545205-452	3
502751	5, 19	502930	4	508960	15	545244-452	1
502752	13, 15	502931	12	509004	17	545249-452	2
502757	5	502932	12	509007	6, 18	545291	18
502760	5, 19	502937	16	509076	9	545347-452	3
502762	6	502948	4	509087	2	545361-452	7
502763	2	502949	12	533729	17	545425-452	11
502764	15	502951-850	18	540520	16	545754	3, 16
502768	5	502979	7	540521	16	546870	2
502770	6, 18	502986	8, 14, 18	540522	16	546893	17
502775	7	502987	16	540523	16	547412	8
502776	6, 7	502993	4	540556	15	548101	18
502781	6	502996	16	541166-004	17	548226	6
502782	7	502997	16	541178	1	549013	11
502783	7	502998	16	541179	8	549163	20
502785	5	502999	16	541180	7	549168	7
502786	3	503000	16	541181	9	602391	17
502787	5, 19	503660	20	541182	9		
502788	7	503669	17	541183	17		
502789	6	503682	4	541514	17		
502793	6, 7	503683	4	543801-003	19		
502794	6	503689	20	543801-005	3, 7, 12		
502800	6	503809	20	543803-003	17		
502802	5, 6	503818	4	543803-004	17		