

HISTORICAL COPY
~~DO NOT REMOVE~~
LIST OF PARTS

FOR

No. 59-1

MACHINE.

In ordering from this list, use **ONLY** the **PART** number in the **FIRST** column.

The number stamped on Sewing Machine parts is in every case the number of the single part only.

Every combination of parts sent out as such has its specific number, which, although not stamped on the parts, must be used when ordering the combination.

Each number always indicates the **SAME PART** in whatever list it appears, or for whatever machine.

The letters after some of the numbers indicate the style of finish only, as follows:

- A.** Hardened, Polished and Plated.
- B.** Polished and Plated.
- C.** Hardened only.
- D.** Polished “
- E.** Soft, not polished.

These letters **MUST BE USED** *when* they appear in the list, and **AFTER** the number, *as* in the list.

In this series

1 to 1500 are Screw Numbers.

1501 “ 1800 “ Nut “

1801 “ 2000 “ Roller “

2001 and upward are numbers of Machine Parts.

The figures in the second column refer only to the plates illustrating the parts, and are **NOT TO BE USED** in ordering.

Parts marked with an asterisk (*) are furnished only when repairs are made at factory.

PARTS COMPLETE FOR
No. 59-1 MACHINE.

FOR BINDING THE BRIMS OF FELT HATS.

No.	Plate	Name	Each
*23201	---	Arm with 854d.....	\$15 00
23202	2200	" Shaft.....	1 00
144D	2209	" " Screw.....	08
12403	2207	" Spool Pin and Thread Eyelet.....	05
11241	2211	" " Washer (cloth).....per 100..	25
3011	2200	Balance Wheel, two speed, 3 in. and 5 in. pulleys, with two 448c.....	1 75
448C	2209	Balance Wheel Set Screw.....	03
23203	---	Face Plate.....	1 35
23204	2201	" " 23203 with 578, 2827 and 23240..	1 50
190D	2206	" " Screw.....	03
2827	2205	" " Thread Guard with 8505.....	02
8505	2205	" " " " Rivet...per 100..	10
23205	2201	Feed and Shuttle Driving Cam with 448c and 743c.....	2 50
743C	2209	Feed and Shuttle Driving Cam Position Scr.	05
448C	2209	" " " " Set Screw... 03	03
23206	2201	" Forked Connection with 225c.....	3 00
212E	2203	" " " Cap Screw.....	04
5968	2203	" " " " Washer	02
23207	2202	" Regulator Crank with 1935.....	1 00
7958	2207	" " " Pin.....	01
1935	2209	" " " Roller and Stud....	20
23208	2202	" " " Shaft.....	25
225C	2209	" " " Stop Screw.....	03
23209	2202	" " Lever with two 453.....	40
199D	2209	" " " Cap Screw.....	04
453	2206	" " " Set Screw.....	02
23211	2212	Guide for hat rim for 23264.....	75
23230	2206	" " reverse binding for 23229.....	30
23232	2212	" (back) for even on binding for 23264.	50
23248	2206	" (front) " " " " 23229.	50
23249	2212	" Bracket for 23264.....	75
2818	2212	" " Friction Washer for 23264... 01	01
76D	2213	" " Hinge Screw for 23264.....	06
194D	2212	" " Stop Screw for 23264.....	02
23250	2212	" " Washer for 23264.....	05
337B	2212	" Screw for 23211.....	02
664R	2206	" " " 23230 and 23248.....	02
240B	2212	" " " 23232.....	02
23264	2212	" for hat rim with back guide, for even on binding, complete, Nos. 240B, 337B, 23211, 23232 and 23249.....	2 00
*23210	---	Head of Arm.....	20 00
854D	2208	" " " Clamping Screw.....	12

No. 59-1 Machine Parts.

5

No.	Plate	Name	Each
23212	2202	Lifting Presser Bar.....	\$ 25
23213	2201	" " " Bracket with 448c, 1862 and 3131.....	2 50
1862	2206	Lifting Presser Bar Bracket Roller.....	12
3131	2206	" " " " " Cap....	05
448C	2209	" " " " Set Screw.....	03
17541	2203	" " " Lifter.....	20
17542	2203	" " " Hinge Pin.....	05
6467	2202	" " " Spring.....	05
2070	2206	" " " Washer.....	01
23214	2206	" " Foot with 453c.....	1 50
453C	2206	" " " Set Screw.....	02
23215	2202	Needle Bar.....	1 50
23216	---	" " 23215 with 1013, 1936, 23220 and two 23221.....	3 50
23217	2202	Needle Bar Bell Crank.....	1 00
212D	2203	" " " " Cap Screw.....	04
23218	2206	" " " " Washer with 23219.....	10
23219	2206	Needle Bar Bell Crank Cap Screw Washer Steady Pin.....per 100..	10
23241	2206	Needle Bar Bell Crank Hinge Stud.....	10
1936	2203	" " " " and Thread Take-up Lever Roller and Stud.....	35
23220	2203	Needle Bar Cam.....	1 50
23221	2203	" " " Rivet.....	01
1937	2203	" " " Roller (1860 roller only) ..	20
23222	2202	" " Cap (lower).....	1 00
896E	2209	" " " Screw.....	04
23223	2202	" " " (upper).....	1 00
896E	2209	" " " Screw.....	04
23224	2203	" " Guide Bracket.....	4 50
23225	2203	" " Socket Joint (upper and lower) ..	1 00
23226	2206	" Clamp with 23227.....	60
1630C	2206	" Nut.....	08
23227	2206	" Steady Pin.....	01
23251	2206	" Clearance Cap.....	10
651D	2206	" " Screw.....	02
23228	2206	" Plate.....	2 50
23229	---	" " 23228 with 664D, 23230 or 23248	3 00
82D	2206	" " Hinge Screw.....	05
23231	2206	" Latch with 627c.....	1 00
8554	2206	" " Hinge Pin.....	02
2026	2206	" " Spring.....	02
627C	2206	" " Stop Screw.....	03
1013	2206	" Stop Screw.....	02
262E	2208	Pressure Regulating Thumb Screw.....	25
23265	2212	Rim Guide with 23263.....	85
23266	2212	" " Adjusting Lever.....	20
23267	2212	" " " Bracket.....	1 00
337D	2212	" " " " Screw... 02	02

No. 59-1 Machine Parts.

No.	Plate	Name	Each
23258	2212	Rim Guide Adjusting Lever Friction Washer	01
1051B	2212	" " " " Hinge Screw	04
23268	2212	" " " " Locking Spring	25
8505	2212	" " " " " " " "	10
		Rivet.....per 100..	10
23269	2212	Rim Guide Bracket.....	60
2818	2212	" " " " Friction Washer.....	01
76D	2213	" " " " Hinge Screw.....	06
624A	2212	" " " " Stop Screw.....	03
23263	2212	" " Pin.....	01
23270	2212	" " (adjustable) complete, Nos. 624A, 1051B, 8505, 23258, 23265 to 23269 and two 337b.....	3 00
8604	2204	Shuttle Bobbin.....	07
*23233	—	" " Body.....	1 40
662	2204	" " Tension Regulating Screw.....	02
8611	2204	" " Spring.....	02
23234	2204	Shuttle complete, No. 23233 with 662, 8604 and 8611.....	1 50
23235	2204	Shuttle Carrier with 241b and 8610.....	75
23236	2204	" " " " Driving Pinion with 1047c.....	30
23262	2204	" " " " " " Bushing....	12
400c	2204	" " " " " " " " Set Screw.....	02
23237	2204	Shuttle Carrier Driving Pinion Cover.....	1 50
23252	—	" " " " " " " " 23237 with 23253 and two 934b.....	2 00
392c	2204	Shuttle Carrier Driving Pinion Cover Screw	02
1047c	2204	" " " " " " Position Ser.	03
8610	2204	" " " " Spring.....	02
241D	2204	" " " " " " Screw.....	02
23238	2204	" " " " " " Driving Shaft.....	2 00
23253	2204	" " " " " " Cover.....	50
934D	2204	" " " " " " " " Screw.....	02
23239	2204	" " " " " " Crank with 217c and 1819.....	75
7958	2207	Shuttle Driving Shaft Crank Pin.....	01
1819	2204	" " " " " " Roller and Stud	20
217c	2204	" " " " " " " " Set Screw....	03
2102	2205	Tension Disc.....	05
1560c	2205	" " Regulating Thumb Nut.....	04
413	2205	" " Screw Stud.....	10
2103	2205	" " Spring.....	03
23240	2205	" " Thread Guard for 23204.....	10
578	2205	" " " " " " " " Screw.....	02
12400	2205	Thread Retainer Sleeve.....	05
12401	2205	" " " " Spring.....	01
12402	2205	" " " " Stud.....	07
460c	2205	" " " " " " " " Set Screw.....	02
12399	—	" " " " complete, Nos. 12400 to 12402.....	15

No. 59-1 Machine Parts.

No.	Plate	Name	Each
23241	2203	Thread Take-up Lever.....	1 00
79c	2203	" " " " Hinge Screw.....	06
8511	2205	" " " " Spring.....	03
7336	2205	" " " " " " Regulator.....	25
448	2209	" " " " " " " " Set Screw	03
23242	2202	Vibrating Presser Bar with 23244.....	1 00
23243	2206	" " " " Foot.....	1 00
190b	2206	" " " " " " " " Screw.....	03

ATTACHMENTS AND ACCESSORIES.

No.	Plate	Name	Each
938E	2208	Bolt with 1524E, to secure machine to power table.....	03
1524E	2208	Bolt Nut.....	02
6055	2207	" " Washer.....	01
26460	2210	Oiler with cap and 26462.....	05
26461	—	" " 26460, filled with oil.....	08
26462	2210	" " Spout, 2 in. long, for 26460.....	01
26026	2210	Screw Driver (machine).....	10
26485	2210	" " " " (shuttle tension).....	05
19079	2207	Wrench for 1630.....	20

BINDER (Adjustable) FOR SOFT HATS.

No.	Plate	Name	Each
26620	2214	Bed.....	25
26621	2214	Bracket.....	1 00
198b	2214	" " Screw.....	02
2818	2213	" " Friction Washer.....	01
76D	2213	" " Hinge Screw.....	06
26622	2214	Folder with 11123, 26623 and 26624.....	1 50
26623	—	" " Guide Block.....	25
11123	2214	" " " " Rivet.....	01
26624	—	" " Slide with 25670 and 25671.....	50
25670	2214	" " " " Block.....	20
25671	2214	" " " " Rivet.....	01
25672	2214	" " " " Carrier with 656E.....	40
656E	2214	" " " " " " Adjusting Screw.....	03
1536E	2214	" " " " " " " " Thumb Nut	10
25673	2214	" " " " " " " " " " " " Guide.....	15

Binder (Adjustable).

No.	Plate	Name	Each
401E	2214	Folder Slide Carrier Adjusting Thumb Nut	
		Guide Screw.....	\$ 02
334D	2214	Folder Slide Carrier Screw.....	03
26625	2213	Guide (back, lower).....	30
26626	2213	" (" upper).....	25
233D	2214	" " Screw.....	02
26627	2213	" (front, lower).....	30
26628	2213	" (" upper).....	25
233D	2214	" " Screw.....	02
26619	2213	Binder (adjustable) complete, Nos. 401E, 1536E, 25672, 25673, 26620 to 26622, 26625 to 26628 and two each 198D, 233D and 334D	6 00
26631	2213	Needle Plate.....	1 50

BOBBIN WINDER

(ECCENTRIC).

No.	Plate	Name	Each
2466	2210	Eccentric.....	\$ 15
286D	2209	" Thumb Screw.....	10
23245	2210	Frame.....	15
647	2209	" Screw.....	03
2460	2210	Friction Ring (rubber).....	02
2461	2210	Pulley.....	08
23246	2210	Spindle.....	15
23247	2210	Bobbin Winder complete, Nos. 286D, 2461, 2466, 23245 and 23246.....	60

BOBBIN WINDER.

(SWINGING AUTOMATIC, RIGHT HAND.)

No.	Plate	Name	Each
27540	2211	Base.....	\$ 15
27302	2211	Frame.....	15
32D	2209	" Hinge Screw.....	10
27303	2205	" Spring.....	03
27541	2211	Pulley.....	15
27695	2211	Spindle.....	20
27306	2211	Spool Pin.....	05
27307	2211	" Stand.....	10
27308	2211	" " 27307 with 418D, 1562D, 2106, 10141, 11241, 27306, wood screw 1 in. No. 10 and two 2455.....	35
11241	2211	Spool Washer (cloth)..... per 100..	25
27696	2211	Stop Latch.....	08
35D	2209	" " Hinge Screw.....	07

Bobbin Winder.

No.	Plate	Name	Each
2455	2205	Tension Disc.....	\$ 02
1562	2205	" Regulating Thumb Nut.....	04
418D	2205	" Screw Stud.....	08
10141	2205	" Spring.....	01
2106	2205	" Thread Guide.....	01
27697	2211	Bobbin Winder, Nos. 32D, 35D, 27302, 27303, 27540, 27541, 27695, 27696 and two wood screws 1 in. No. 7.....	90
27698	—	Bobbin Winder (swinging automatic, right hand) complete, Nos. 27308 and 27697....	1 25

FOOT LIFTER PARTS.

No.	Plate	Name	Each
5670	—	Chain, length 26 in. to 35 in.....	\$ 15
4879	2210	" Connecting Link for 4885.....	03
23271	2215	Lifting Lever with 448c.....	30
802D	2209	" " Hinge Screw.....	10
12241	2207	" " Link.....	10
766D	2209	" " Hinge Screw.....	05
9517	2207	" " Pin.....	08
448C	2209	" " " Set Screw.....	03
23280	2215	" " Pitman.....	10
12416	2203	" " " Joint.....	08
76D	2203	" " " Hinge Screw....	06
1521E	2203	" " " Lock Nut.....	03
23273	2215	" " Spring.....	05
23274	2201	" Presser Bar Bracket with 448c, 1862 and 3131.....	2 75
4881	2215	Treadle.....	30
4882	2210	" Shaft.....	05
4883	2210	" Spring.....	10
4884	2215	" Stand.....	25
4885	2215	" complete, Nos. 4879, 4881 to 4884 and two wood screws 1 in. No 16.....	75
23281	—	Foot Lifter complete, Nos. 76D, 766D, 802D, 1521E, 4885, 5670, 9517, 12241, 12416, 23271, 23273, 23274 and 23280.....	4 60

KNEE LIFTER PARTS.

No.	Plate	Name	Each
5596	2210	Bell Crank.....	05
5599	2210	" " Bracket.....	08
178c	2209	" " " Screw.....	03
5601	2205	" " Hinge Pin.....	01
5602	2205	" " Spring.....	02
5598	2210	" " 5596 with 5599, 5601 and 5602	20
23271	2215	Lifting Lever with 448c.....	30
23272	2215	" " Connecting Rod.....	10
12416	2203	" " " " Joint.....	08
76b	2203	" " " " " Hinge Screw.....	06
1521E	2203	Lifting Lever Connecting Rod Lock Nut...	03
802b	2209	" " Hinge Screw.....	10
12241	2207	" " Link.....	10
766b	2209	" " " Hinge Screw.....	05
9517	2207	" " Pin.....	08
448c	2209	" " " Set Screw.....	03
23273	2215	" " Spring.....	05
23274	2201	" Presser Bar Bracket with 448c, 1862 and 3131.....	2 75
23275	2215	Rock Shaft.....	12
2765	2215	" " Knee Arm.....	10
2766	2215	" " " " Hub with 356c.....	15
356c	2209	" " " " " Set Screw.....	06
23276	---	" " " " 2765 with 2766 and 23277.....	45
23277	2215	Rock Shaft Knee Plate with 356c.....	20
356c	2209	" " " " " Set Screw.....	06
6337	2215	" " Lifting Bracket with two 356c.....	20
2778	2215	" " " " " Hook.....	05
356c	2209	" " " " " Set Screw.....	06
356c	2209	" " " " " Set Screw.....	06
2770	2215	" " Stop Dog with 356c.....	12
356c	2209	" " " " " Set Screw.....	06
23278	2215	" " 23275 with 2778, 6337, 23276 and two 2770.....	1 05
23279	---	Knee Lifter complete, Nos. 76b, 766b, 802b, 1521E, 5598, 9517, 12241, 12416, 23271 to 23274, 23278 and two 178c.....	5 00

STAND PARTS.

No.	Plate	Name	Each
25009	2216	Band Wheel, two speed, 8 and 10 in. diam., with 2117 and 25010.....	\$1 20
25010	2217	Band Wheel Crank.....	15
2117	2207	" " " Pin.....	01
297c	2208	" " " Screw Centre.....	10
1507E	2208	" " " " Nut.....	05
25366	---	Belt, size $\frac{3}{8}$ in., length 70 $\frac{1}{2}$ in., with 25027.....	20
25027	2205	" Hook.....	01
25188	2217	Brace with three each 297c and 1507E.....	1 45
506E	2208	" Bolt with 1510E.....	03
1510E	2208	" " Nut.....	02
25189	2217	Drawer (wood).....	20
25190	2217	" Runner (wood).....	03
122E	2209	" " Screw.....	05
25065	2216	Leg (right).....	1 50
25066	2216	" (left).....	1 40
23261	2217	Machine Base with four each 319b and 321b base.....	1 00
319b	2208	" " " Screw, to secure machine to base.....	10
321b	2208	Machine Base Screw, to secure base to table top.....	08
25074	2216	Pitman (adjustable) with two each 558E, 1570E, 25075 and 25123.....	25
25123	---	Pitman Adjusting Block.....	02
558E	2208	" " " Screw.....	03
1570E	2208	" " " Nut.....	02
25075	2206	" " " Washer.....	01
7958	2207	" Stud Pin.....	01
11742	2207	" Washer.....	01
25367	2217	Table Top (iron) with 421E, 1507E & four 636E.....	4 50
636E	2208	" " Bolt with 1521E.....	02
1524E	2208	" " " Nut.....	02
421E	2208	" " Supporting Screw.....	08
1507E	2208	" " " " Nut.....	05
25082	2216	Treadle.....	65
297c	2208	" " Screw Centre.....	10
1507E	2208	" " " Nut.....	05
25086	2217	Wrench for 1507 and 1510.....	10
25242	---	Stand complete, Nos. 7958, 11742, 23261, 25009, 25065, 25066, 25074, 25082, 25086, 25188, 25189, 25366, 25367, two 25190 and four each 122E and 506E.....	12 50

NUMERICAL LIST.

No. Plate	Name	Each
32D 2209	Bobbin Winder Frame Hinge Screw for 27697... \$	10
35D 2209	" " Stop Latch Hinge Screw for 27697.....	07
76D 2213	Binder Bracket Hinge Screw for 26619.....	06
76D 2213	Guide " " " " 23264.....	06
76D 2203	Lifting Lever Pitman Joint Hinge Screw for 23281.....	06
76D 2203	Lifting Lever Connecting Rod Joint Hinge Screw for 23279.....	06
76D 2213	Rim Guide Bracket Hinge Screw for 23270....	06
79C 2203	Thread Take-up Lever Hinge Screw.....	06
82D 2206	Needle Plate Hinge Screw.....	05
122E 2209	Drawer Runner Screw (Stand).....	05
144D 2209	Arm Shaft Screw.....	08
178C 2209	Bell Crank Bracket Screw for 23279.....	03
190D 2206	Face Plate Screw.....	03
190D 2206	Vibrating Presser Foot Screw.....	03
194D 2212	Guide Bracket Stop Screw for 23264.....	02
198D 2214	Binder Bracket Screw for 26619.....	02
199D 2209	Feed Regulator Lever Cap Screw.....	04
212E 2203	" Forked Connection Cap Screw.....	04
212D 2203	Needle Bar Bell Crank Cap Screw.....	04
217C 2204	Shuttle Driving Shaft Crank Set Ser. for 23239	03
225C 2209	Feed Regulator Crank Stop Screw for 23206...	03
233D 2214	Binder Guide (back) Screw for 26619.....	02
233D 2214	" " (front) " " " ".....	02
240B 2212	Guide Screw for 23232.....	02
241D 2204	Shuttle Carrier Spring Screw for 23235.....	02
262E 2208	Pressure Regulating Thumb Screw.....	25
286D 2209	Bobbin Winder Eccentric Thumb Screw for 23247.....	10
297C 2208	Band Wheel Screw Centre for 25188.....	10
297C 2208	Treadle Screw Centre for 25188.....	10
319D 2208	Machine Base Screw, to secure machine to base, for 23261.....	10
321D 2208	Machine Base Screw, to secure base to table top, for 23261.....	08
334D 2214	Binder Folder Slide Carrier Screw for 26619...	03
337B 2212	Guide Screw for 23211.....	02
337D 2212	Rim Guide Adjusting Lever Bracket Screw for 23270.....	02
356C 2209	Rock Shaft Knee Arm Hub Set Screw for 2766	06
356C 2209	" " " Plate Set Screw for 23277...	06
356D 2209	" " Lifting Bracket Hook Set Screw for 6337.....	06
356C 2209	Rock Shaft Lifting Bracket Set Screw for 6337	06
356C 2209	" " Stop Dog Set Screw for 2770.....	06

No. Plate	Name	Each
392C 2204	Shuttle Carrier Driving Pinion Cover Screw... \$	02
400C 2204	" " " " Bushing Set Screw.....	02
401E 2214	Binder Folder Slide Carrier Adjusting Thumb Nut Guide Screw for 26619.....	02
413 2205	Tension Screw Stud.....	10
418D 2205	Bobbin Winder Tension Screw Stud for 27308	08
421E 2208	Table Top Supporting Screw for 25367.....	08
448C 2209	Balance Wheel Set Screw for 3011.....	03
448C 2209	Feed and Shuttle Driving Cam Set Screw for 23205.....	03
448C 2209	Lifting Lever Pin Set Screw for 23271.....	03
448C 2209	" Presser Bar Bracket Set Screw for 23213 and 23274.....	03
448 2209	Thread Take-up Spring Regulator Set Screw.	03
453 2206	Feed Regulator Lever Set Screw for 23209...	02
453C 2206	Lifting Presser Foot Set Screw for 23214.....	02
460C 2205	Thread Retainer Stud Set Screw.....	02
506E 2208	Brace Bolt with 1510E (Stand).....	03
558E 2208	Pitman Adjusting Screw for 25074.....	03
578 2205	Tension Thread Guard Screw for 23201.....	02
624A 2212	Rim Guide Bracket Stop Screw for 23270....	03
627C 2206	Needle Plate Latch Stop Screw for 23231.....	03
636E 2208	Table Top Bolt with 1524E, for 25367.....	02
647 2209	Bobbin Winder Frame Screw for 23247.....	03
651D 2206	Needle Clearance Cap Screw.....	02
656E 2214	Binder Folder Slide Carrier Adjusting Screw for 25672.....	03
662 2204	Shuttle Tension Regulating Screw for 23234..	02
664B 2206	Guide Screw for 23230 and 23248.....	02
743C 2209	Feed and Shuttle Driving Cam Position Screw for 23205.....	05
766D 2209	Lifting Lever Link Hinge Screw for 23279 and 23281.....	05
802D 2209	Lifting Lever Hinge Screw for 23279 and 23281	10
854D 2208	Head of Arm Clamping Screw for 23201.....	12
896E 2209	Needle Bar Cap (lower) Screw.....	04
896E 2209	" " " (upper) ".....	04
934D 2204	Shuttle Driving Shaft Cover Screw for 23252.	02
938E 2208	Bolt with 1524E, to secure machine to power table (A. & A.).....	03
1013 2206	Needle Stop Screw for 23216.....	02
1047C 2204	Shuttle Carrier Driving Pinion Position Screw for 23236.....	03
1051B 2212	Rim Guide Adjusting Lever Hinge Screw for 23270.....	04
1507E 2208	Band Wheel Screw Centre Nut for 25188....	05
1507E 2208	Table Top Supporting Screw Nut for 25367..	05
1507E 2208	Treadle Screw Centre Nut for 25188.....	05
1510E 2208	Brace Bolt Nut for 506E.....	02

No.	Plate	Name	Each
1521E	2208	Lifting Lever Connecting Rod Lock Nut for 23279.....	\$ 03
1521E	2203	Lifting Lever Pitman Lock Nut for 23281..	03
1524E	2208	Bolt Nut for 938E.....	02
1524E	2208	Table Top Bolt Nut for 636E.....	02
1536E	2214	Binder Folder Slide Carrier Adjusting Thumb Nut for 26619.....	10
1560C	2205	Tension Regulating Thumb Nut.....	04
1562	2205	Bobbin Winder Tension Regulating Thumb Nut for 27308.....	04
1570E	2208	Pitman Adjusting Screw Nut for 25074....	02
1630C	2206	Needle Clamp Nut.....	08
1819	2204	Shuttle Driving Shaft Crank Roller and Stud for 23239.....	20
1862	2206	Lifting Presser Bar Bracket Roller for 23213 and 23274.....	12
1935	2209	Feed Regulator Crank Roller and Stud for 23207.....	20
1936	2203	Needle Bar Bell Crank and Thread Take-up Lever Roller and Stud for 23216.....	35
1937	2203	Needle Bar Cam Roller (1860 roller only)...	20
2026	2206	" Plate Latch Spring.....	02
2070	2206	Lifting Presser Bar Spring Washer.....	01
2102	2205	Tension Disc.....	05
2103	2205	" Spring.....	03
2106	2205	Bobbin Winder Tension Thread Guide for 27308.....	01
2117	2207	Band Wheel Crank Pin for 25009.....	01
2455	2205	Bobbin Winder Tension Disc for 27308.....	02
2460	2210	" " Friction Ring (rubber) for 23247.....	02
2461	2210	Bobbin Winder Pulley for 23247.....	08
2466	2210	" " Eccentric for 23247.....	15
2765	2215	Rock Shaft Knee Arm for 23276.....	10
2766	2215	" " " " Hub with 356c, for 23276.....	15
2770	2215	Rock Shaft Stop Dog with 356c, for 23278.	12
2778	2215	" " Lifting Bracket Hook for 23278	05
2818	2213	Binder Bracket Friction Washer for 26619.	01
2818	2212	Guide " " " " 23264.	01
2818	2212	Rim Guide Bracket Friction Washer for 23270.....	01
2827	2205	Face Plate Thread Guard with 8505, for 23204.....	02
3011	2200	Balance Wheel, two speed, 3 in. and 5 in. pulleys, with two 448c.....	1 75
3131	2206	Lifting Presser Bar Bracket Roller Cap for 23213 and 23274.....	05
4879	2210	Chain Connecting Link for 4885.....	03
4881	2215	Treadle for 4885.....	30

No.	Plate	Name	Each
4882	2210	Treadle Shaft for 4885.....	\$ 05
4883	2210	" Spring " "	10
4884	2215	" Stand " "	25
4885	2215	" complete, Nos. 4879, 4881 to 4884 and two wood screws 1 in. No. 16, for 23281.....	75
5596	2210	Bell Crank for 5598.....	05
5598	2210	" " 5596 with 5599, 5601 and 5602, for 23279.....	20
5599	2210	Bell Crank Bracket for 5598.....	08
5601	2205	" " Hinge Pin for 5598.....	01
5602	2205	" " Spring for 5598.....	02
5670	---	Chain, length 26 in. to 35 in., for 23281....	15
5968	2203	Feed Forked Connection Cap Screw Washer	02
6055	2207	Bolt Nut Washer (A. & A.).....	01
6337	2215	Rock Shaft Lifting Bracket with two 356c, for 23278.....	20
6467	2202	Lifting Presser Bar Spring.....	05
7336	2205	Thread Take-up Spring Regulator.....	25
7958	2207	Feed Regulator Crank Pin.....	01
7958	2207	Pitman Stud Pin (Stand).....	01
7958	2207	Shuttle Driving Shaft Crank Pin.....	01
8505	2205	Face Plate Thread Guard Rivet... per 100..	10
8505	2212	Rim Guide Adjusting Lever Locking Spring Rivet for 23270..... per 100..	10
8511	2205	Thread Take-up Spring.....	03
8554	2206	Needle Plate Latch Hinge Pin.....	02
8604	2204	Shuttle Bobbin.....	07
8610	2204	" Carrier Spring for 23235.....	02
8641	2204	" Tension Spring.....	02
9517	2207	Lifting Lever Pin for 23279 and 23281.....	08
10141	2205	Bobbin Winder Tension Spring for 27308..	01
11123	2214	Binder Folder Guide Block Rivet for 26623.	01
11241	2211	Arm Spool Washer (cloth)..... per 100..	25
11241	2211	Bobbin Winder Spool Washer (cloth) for 27308..... per 100..	25
11742	2207	Pitman Washer (Stand).....	01
12241	2207	Lifting Lever Link for 23279 and 23281....	10
12399	---	Thread Retainer complete, Nos. 12400 to 12402.....	15
12400	2205	Thread Retainer Sleeve.....	05
12401	2205	" " Spring.....	01
12402	2205	" " Stud.....	07
12403	2207	Arm Spool Pin and Thread Eyelet.....	05
12416	2203	Lifting Lever Connecting Rod Joint for 23279.....	08
12416	2203	Lifting Lever Pitman Joint for 23281.....	08
17541	2203	" Presser Bar Lifter.....	20
17542	2203	" " " " Hinge Pin.....	05
19079	2207	Wrench for 1630 (A. & A.).....	20

Numerical List of Parts.

No.	Plate	Name	Each
*23201	---	Arm with 854b.....	\$15 00
23202	2200	" Shaft.....	1 00
23203	---	Face Plate.....	1 35
23204	2201	" " 23203 with 578, 2827 and 23240..	1 50
23205	2201	Feed and Shuttle Driving Cam with 448c and 743c.....	2 50
23206	2201	Feed Forked Connection with 295c.....	3 00
23207	2202	" Regulator Crank with 1935.....	1 00
23208	2202	" " " Shaft.....	25
23209	2202	" " " Lever with two 453.....	40
*23210	---	Head of Arm.....	20 00
23211	2212	Guide for hat rim for 23264.....	75
23212	2202	Lifting Presser Bar.....	25
23213	2201	" " " Bracket with 448c, 1862 and 3131.....	2 50
23214	2206	Lifting Presser Foot with 453c.....	1 50
23215	2202	Needle Bar.....	1 50
23216	---	" " 23215 with 1013, 1936, 23220 and two 23221.....	3 50
23217	2202	Needle Bar Bell Crank.....	1 00
23218	2206	" " " Cap Screw Washer with 23219.....	10
23219	2206	Needle Bar Bell Crank Cap Screw Washer Steady Pin for 23218..... per 100..	10
23220	2203	Needle Bar Cam for 23216.....	1 50
23221	2203	" " " Rivet for 23216.....	01
23222	2202	" " " Cap (lower).....	1 00
23223	2202	" " " (upper).....	1 00
23224	2203	" " " Guide Bracket.....	4 50
23225	2203	" " " Socket Joint (upper and lower).....	1 00
23226	2206	" " " Clamp with 23227.....	60
23227	2206	" " " Steady Pin.....	01
23228	2206	" " " Plate.....	2 50
23229	---	" " 23228 with 664b, 23230 or 23248.....	3 00
23230	2206	Guide for reverse binding for 23229.....	30
23231	2206	Needle Plate Latch with 627c.....	1 00
23232	2212	Guide (back) for even on binding for 23264.....	50
*23233	---	Shuttle Body.....	1 40
23234	2204	" complete, No. 23233 with 662, 8604 and 8611.....	1 50
23235	2204	Shuttle Carrier with 241b and 8610.....	75
23236	2204	" " " Driving Pinion with 1047c.....	30
23237	2204	" " " " Cover.....	1 50
23238	2204	" " " Driving Shaft.....	2 00
23239	2204	" " " Crank with 217c & 1819.....	75
23240	2205	Tension Thread Guard for 23204.....	10
23241	2203	Thread Take-up Lever.....	1 00
23242	2202	Vibrating Presser Bar with 23244.....	1 00
23243	2206	" " " Foot.....	1 00
23244	2206	Needle Bar Bell Crank Hinge Stud.....	10

Numerical List of Parts.

No.	Plate	Name	Each
23245	2210	Bobbin Winder Frame for 23247.....	\$ 15
23246	2210	" " " Spindle " ".....	15
23247	2210	" " " (eccentric) complete, Nos. 286b, 2461, 2466, 23245 and 23246.....	60
23248	2206	Guide (front) for even on binding for 23229.....	50
23249	2212	" " Bracket for 23264.....	75
23250	2212	" " " Washer for 23264.....	05
23251	2206	Needle Clearance Cap.....	10
23252	---	Shuttle Carrier Driving Pinion Cover 23237 with 23253 and two 934b.....	2 00
23253	2204	Shuttle Driving Shaft Cover.....	50
23254	---	No. cancelled, order 23270.....	
23255	---	" " " ".....	
23256	---	" " " ".....	
23257	---	" " " ".....	
23258	2212	Rim Guide Adjusting Lever Friction Washer for 23270.....	01
23259	---	No. cancelled.....	
23260	---	" " " ".....	
23261	2217	Machine Base with four each 319b and 321b (Stand).....	1 00
23262	2204	Shuttle Carrier Driving Pinion Bushing.....	12
23263	2212	Rim Guide Pin for 23265.....	01
23264	2212	Guide for hat rim with back guide, for even on binding, complete, Nos. 240b, 337b, 23211, 23232 and 23249.....	2 00
23265	2212	Rim Guide with 23263, for 23270.....	85
23266	2212	" " " Adjusting Lever for 23270.....	20
23267	2212	" " " " " Bracket for 23270.....	1 00
23268	2212	Rim Guide Adjusting Lever Locking Spring for 23270.....	25
23269	2212	Rim Guide Bracket for 23270.....	60
23270	2212	" " (adjustable) complete, Nos. 624A, 1051b, 8505, 23258, 23265 to 23269 and two 337b.....	3 00
23271	2215	Lifting Lever with 448c, for 23279 and 23281.....	30
23272	2215	" " " Connecting Rod for 23279.....	10
23273	2215	" " " Spring for 23279 and 23281.....	05
23274	2201	" " " Presser Bar Bracket with 448c, 1862 and 3131, for 23279 and 23281.....	2 75
23275	2215	Rock Shaft for 23278.....	12
23276	---	" " " Knee Arm 2765 with 2766 and 23277, for 23278.....	45
23277	2215	Rock Shaft Knee Plate with 356c, for 23276.....	20
23278	2215	" " 23275 with 2778, 6337, 23276 and two 2770, for 23279.....	1 05
23279	---	Knee Lifter complete, Nos. 76b, 766b, 802b, 1521b, 5598, 9517, 12241, 12416, 23271 to 23274, 23278 and two 178c.....	5 00

Numerical List of Parts.

No.	Plate	Name	Each
23280	2215	Lifting Lever Pitman for 23281.....	\$ 10
23281	—	Foot Lifter complete, Nos. 76d, 766d, 802d, 1521E, 4885, 5670, 9517, 12241, 12416, 23271, 23273, 23274 and 23280.....	4 60
25009	2216	Band Wheel, two speed, 8 in. and 10 in. diam., with 2117 and 25010 (Stand).....	1 20
25010	2217	Band Wheel Crank for 25009.....	15
25027	2205	Belt Hook for 25366.....	01
25065	2216	Leg, right (Stand).....	1 50
25066	2216	“ left “.....	1 40
25074	2216	Pitman (adjustable) with two each 558E, 1570E, 25075 and 25123 (Stand).....	25
25075	2206	Pitman Adjusting Screw Washer for 25074.....	01
25082	2216	Treadle (Stand).....	65
25086	2217	Wrench for 1507 and 1510 (Stand).....	10
25123	—	Pitman Adjusting Block for 25074.....	02
25188	2217	Brace with three each 297c and 1507E (Stand).....	1 45
25189	2217	Drawer, wood (Stand).....	20
25190	2217	“ Runner, wood (Stand).....	03
25242	—	Stand complete, Nos. 7958, 11742, 23261, 25009, 25065, 25066, 25074, 25082, 25086, 25188, 25189, 25366, 25367, two 25190 and four each 122E and 506E.....	12 50
25366	—	Belt, size $\frac{3}{4}$ in., length 70 $\frac{1}{4}$ in., with 25027 (Stand).....	20
25367	2217	Table Top (iron) with 421E, 1507E and four 636E (Stand).....	4 50
25670	2214	Binder Folder Slide Block for 26624.....	20
25671	2214	“ “ “ Rivet for 26624.....	01
25672	2214	“ “ “ Carrier with 656E, for 26619.....	40
25673	2214	Binder Folder Slide Carrier Adjusting Thumb Nut Guide for 26619.....	15
26026	2210	Screw Driver, machine (A. & A.).....	10
26460	2210	Oiler with cap and 26462, for 26461.....	05
26461	—	“ 26460, filled with oil (A. & A.).....	08
26462	2210	“ Spout, 2 in. long, for 26460.....	01
26485	2210	Screw Driver, shuttle tension (A. & A.).....	05
26619	2213	Binder (adjustable) complete, Nos. 401E, 1536E, 25672, 25673, 26620 to 26622, 26625 to 26628 and two each 198d, 233d and 334d (A. & A.).....	6 00
26620	2214	Binder Bed for 26619.....	1 25
26621	2214	“ Bracket for 26619.....	1 00
26622	2214	“ Folder with 11123, 26623 and 26624, for 26619.....	1 50
26623	—	Binder Folder Guide Block for 26622.....	25
26624	—	“ “ Slide with 25670 and 25671, for 26622.....	50

Numerical List of Parts.

No.	Plate	Name	Each
26625	2213	Binder Guide (back, lower) for 26619.....	\$ 30
26626	2213	“ “ (“ upper) “ “.....	25
26627	2213	“ “ (front, lower) “ “.....	30
26628	2213	“ “ (“ upper) “ “.....	25
26631	2213	Needle Plate for 26619.....	1 50
27302	2211	Bobbin Winder Frame for 27697.....	15
27303	2205	“ “ “ Spring for 27697.....	03
27306	2211	“ “ Spool Pin for 27308.....	05
27307	2211	“ “ “ Stand for 27308.....	10
27308	2211	“ “ “ “ 27307 with 418d, 1562d, 2106, 10141, 11241, 27306, wood screw 1 in. No. 10 and two 2455, for 27698	35
27540	2211	Bobbin Winder Base for 27697.....	15
27541	2211	“ “ Pulley “ “.....	15
27695	2211	“ “ Spindle “ “.....	20
27696	2211	“ “ Stop Latch for 27697.....	08
27697	2211	“ “ Nos. 32d, 35d, 27302, 27303, 27540, 27541, 27695, 27696 and two wood screws 1 in. No. 7.....	90
27698	—	Bobbin Winder (swinging automatic, right hand) complete, Nos. 27308 and 27697....	1 25

PLATE 2200—ONE-FOURTH SIZE

23202



3011

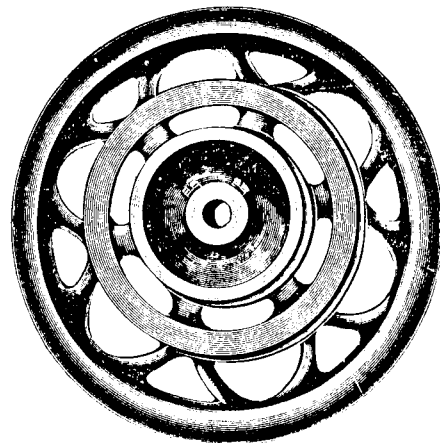
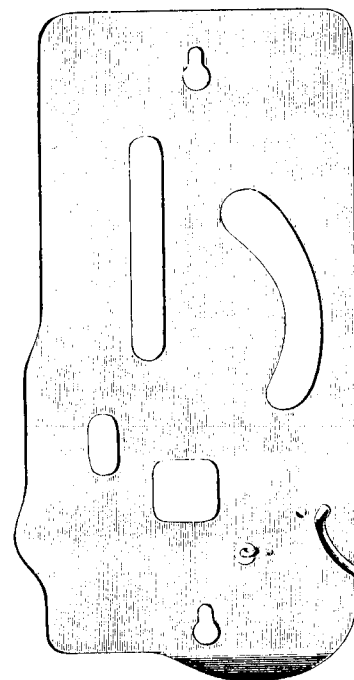
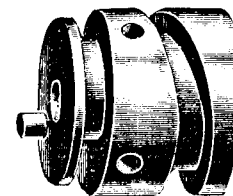


PLATE 2201—ONE-HALF SIZE

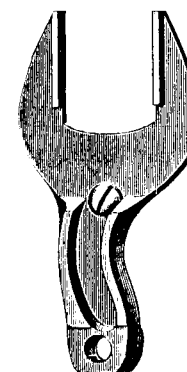
23204



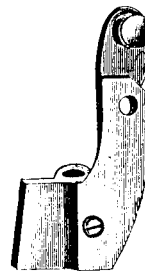
23205



23206



23213



23274

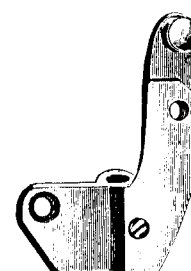


PLATE 2202—ONE-HALF SIZE

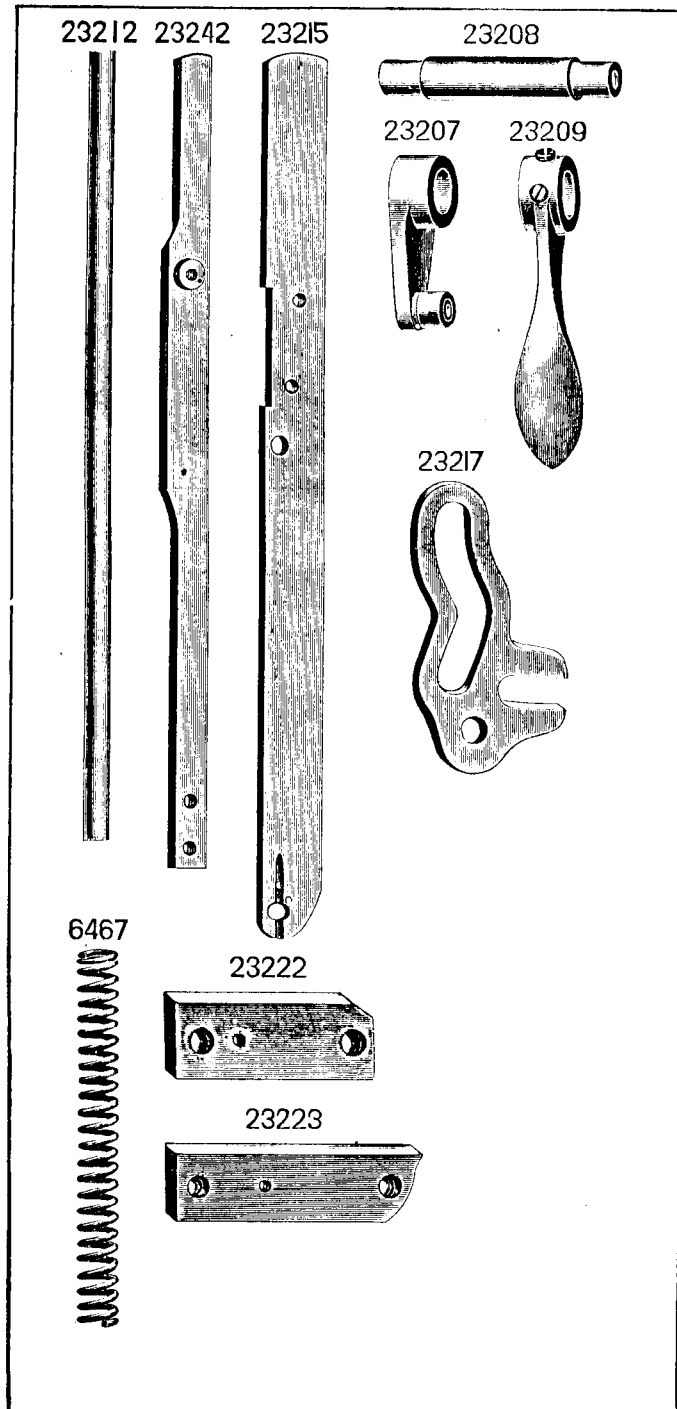


PLATE 2203—FULL SIZE

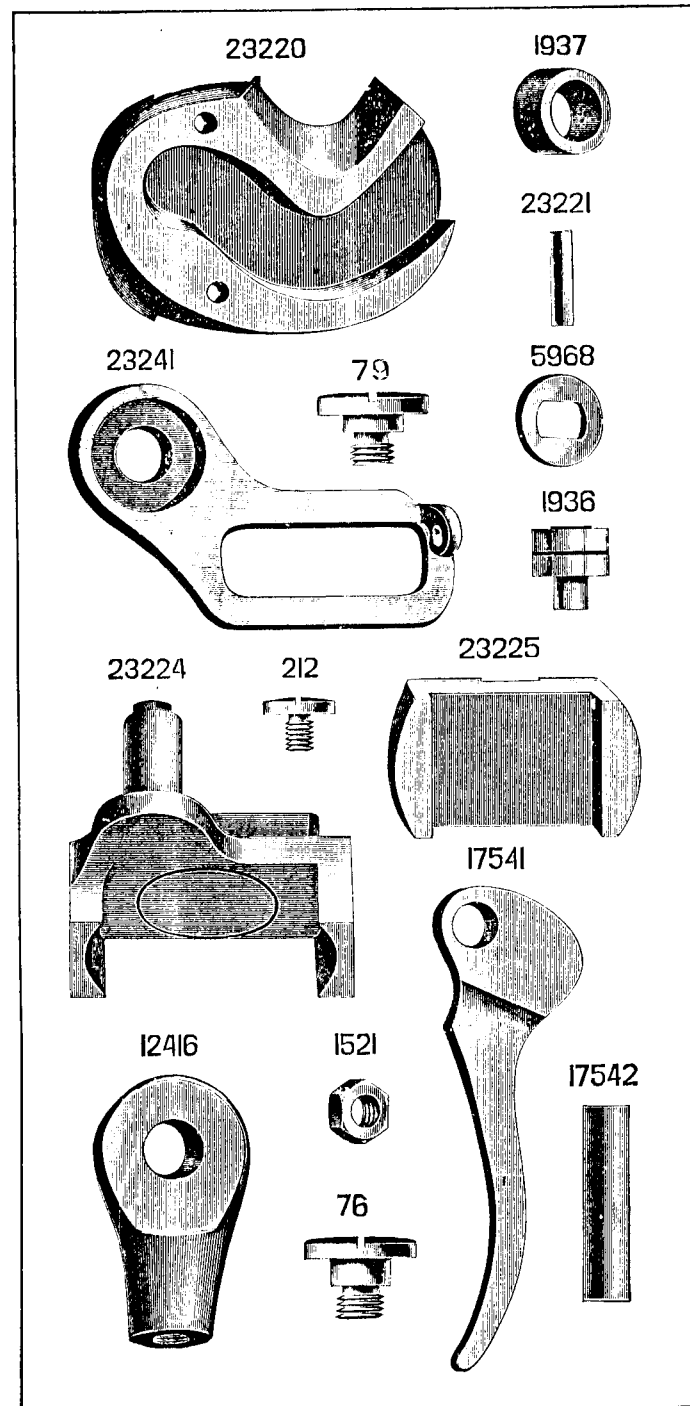


PLATE 2204—FULL SIZE

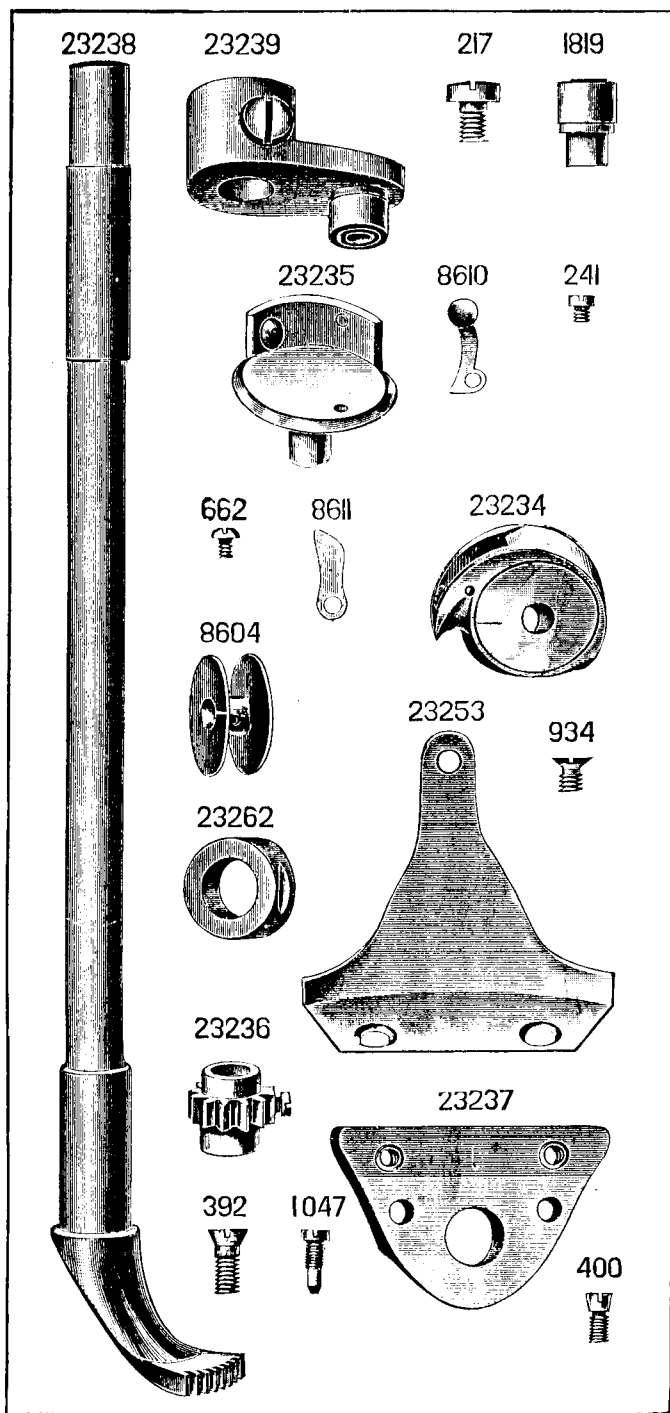


PLATE 2205—FULL SIZE

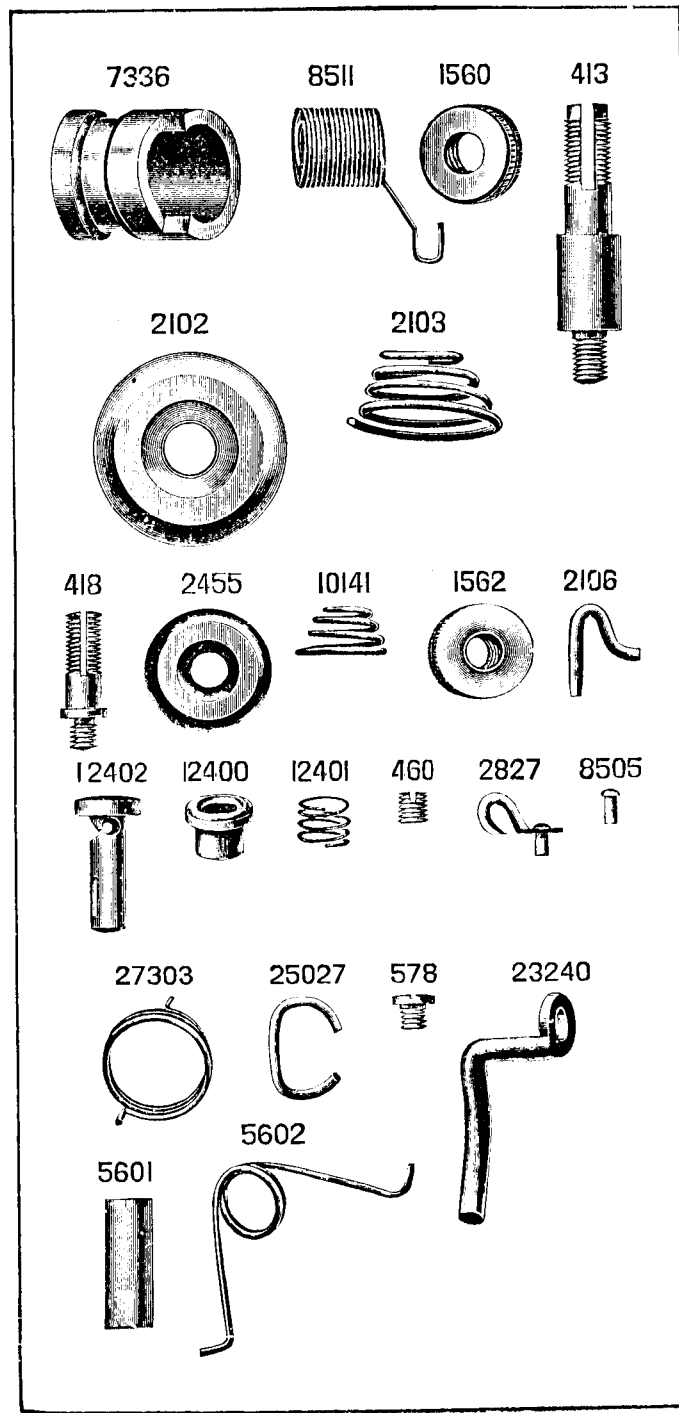


PLATE 2206—FULL SIZE

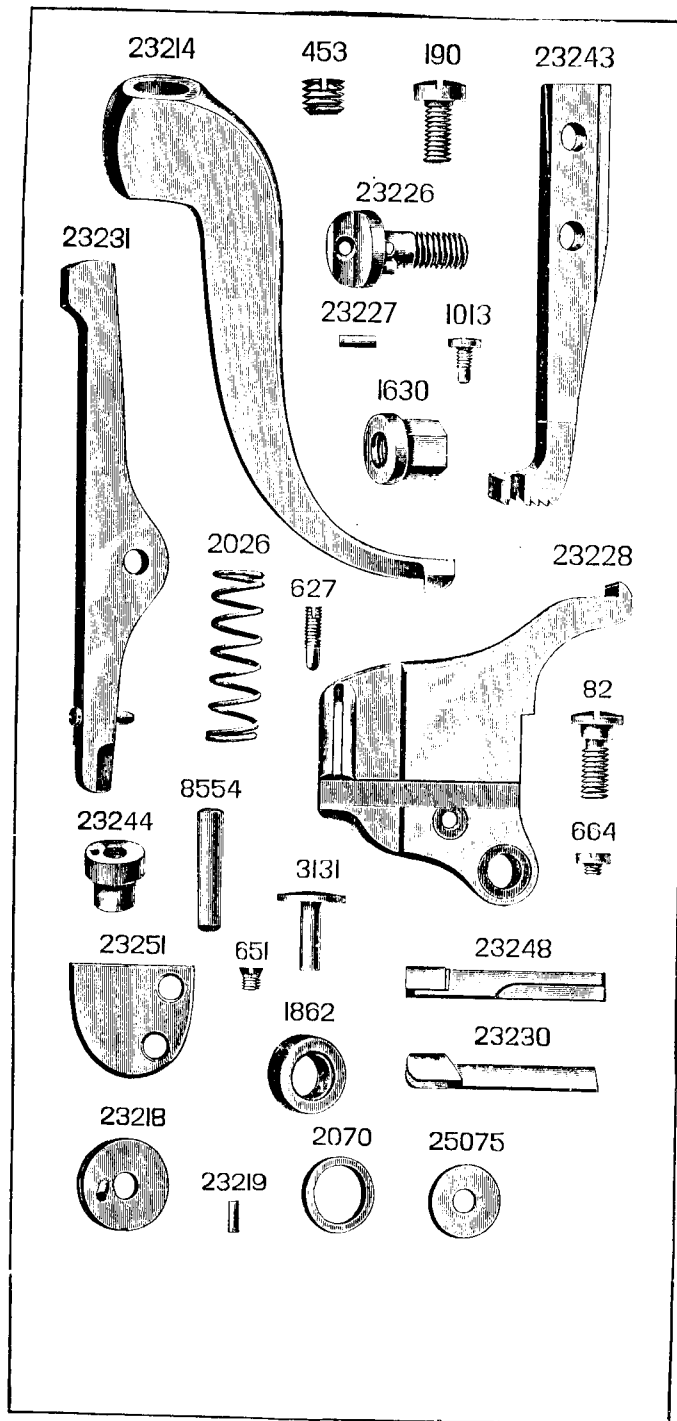


PLATE 2207—FULL SIZE

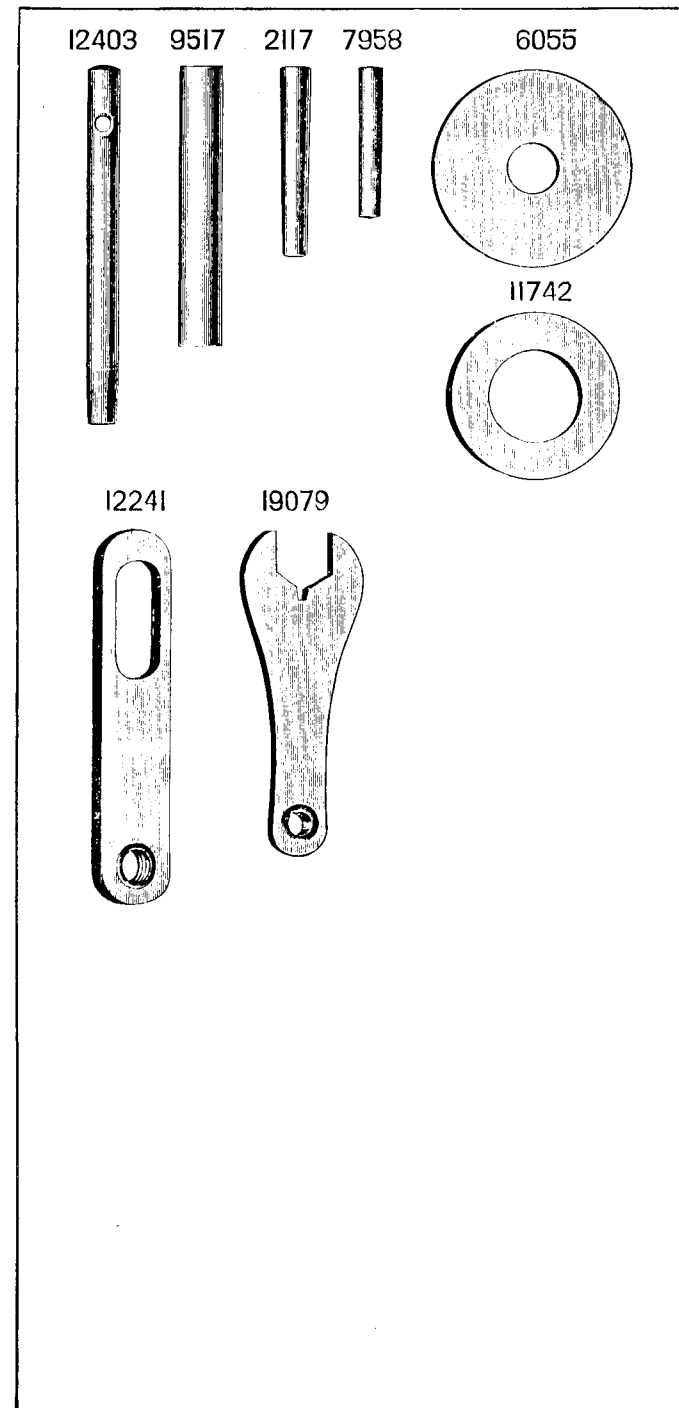


PLATE 2208—FULL SIZE

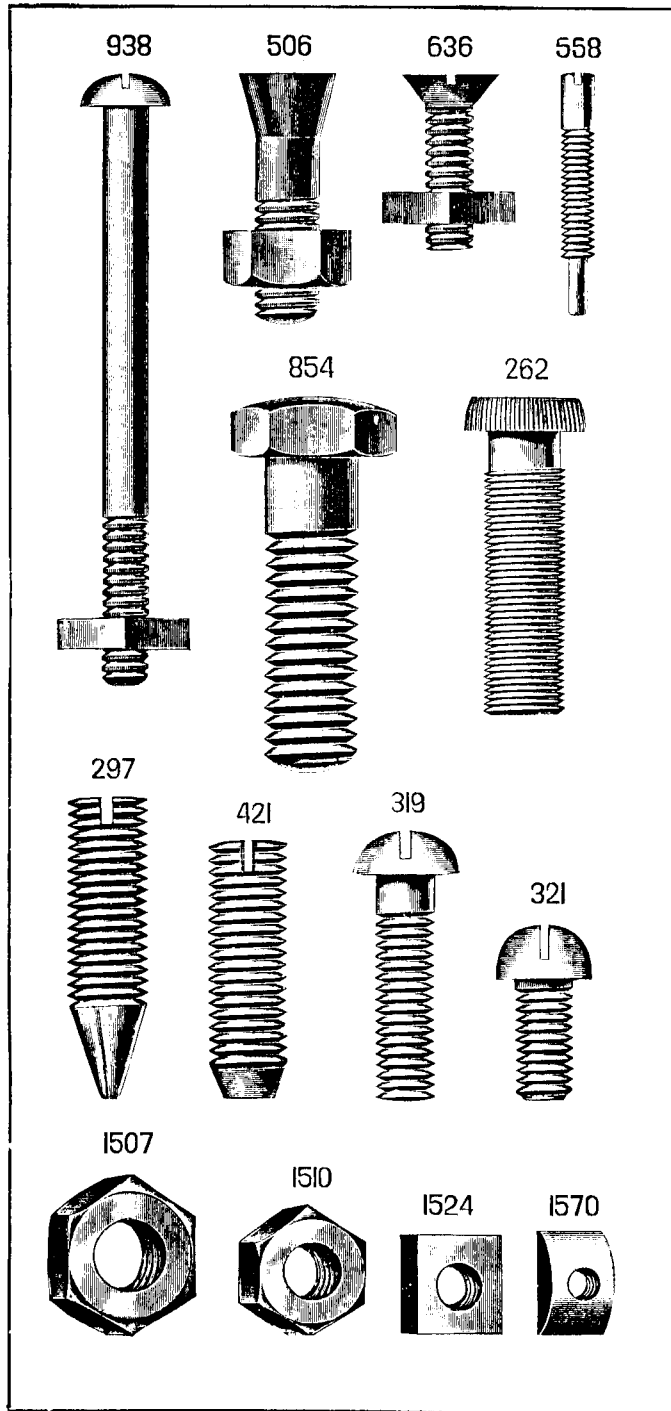


PLATE 2209—FULL SIZE

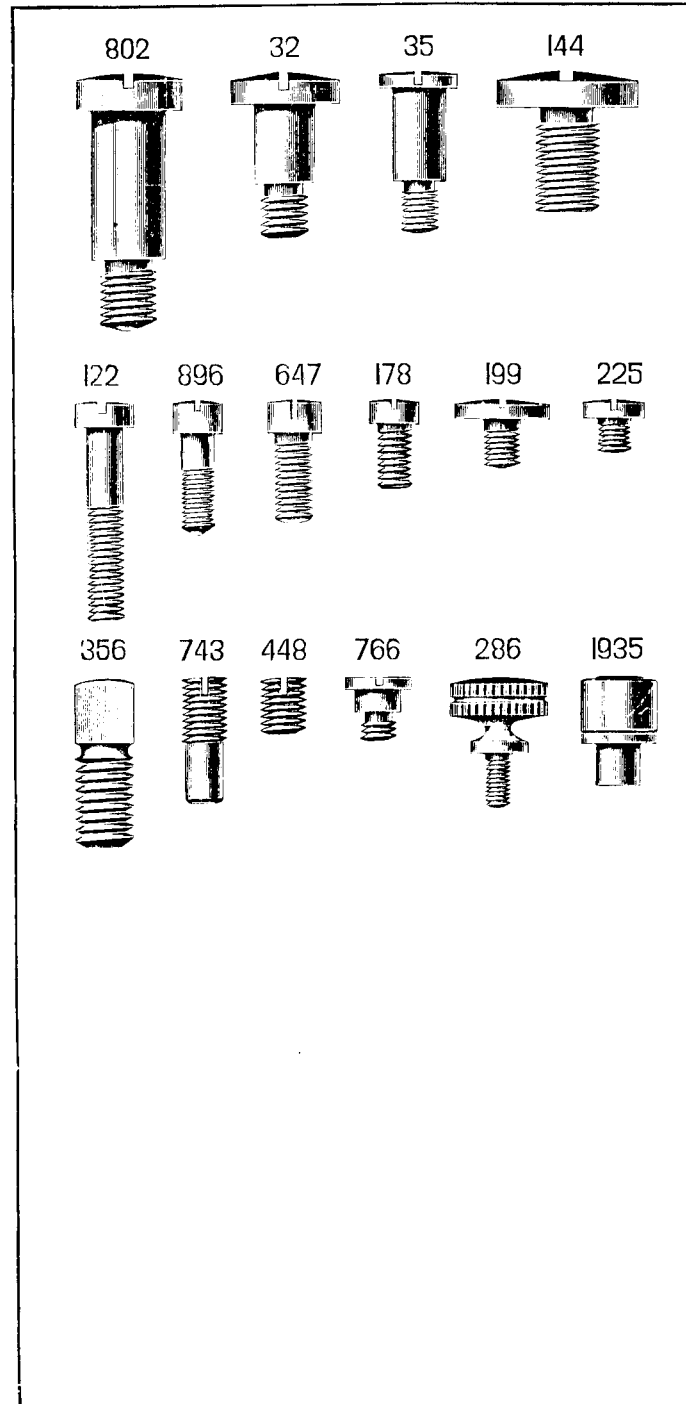


PLATE 2210—ONE-HALF SIZE

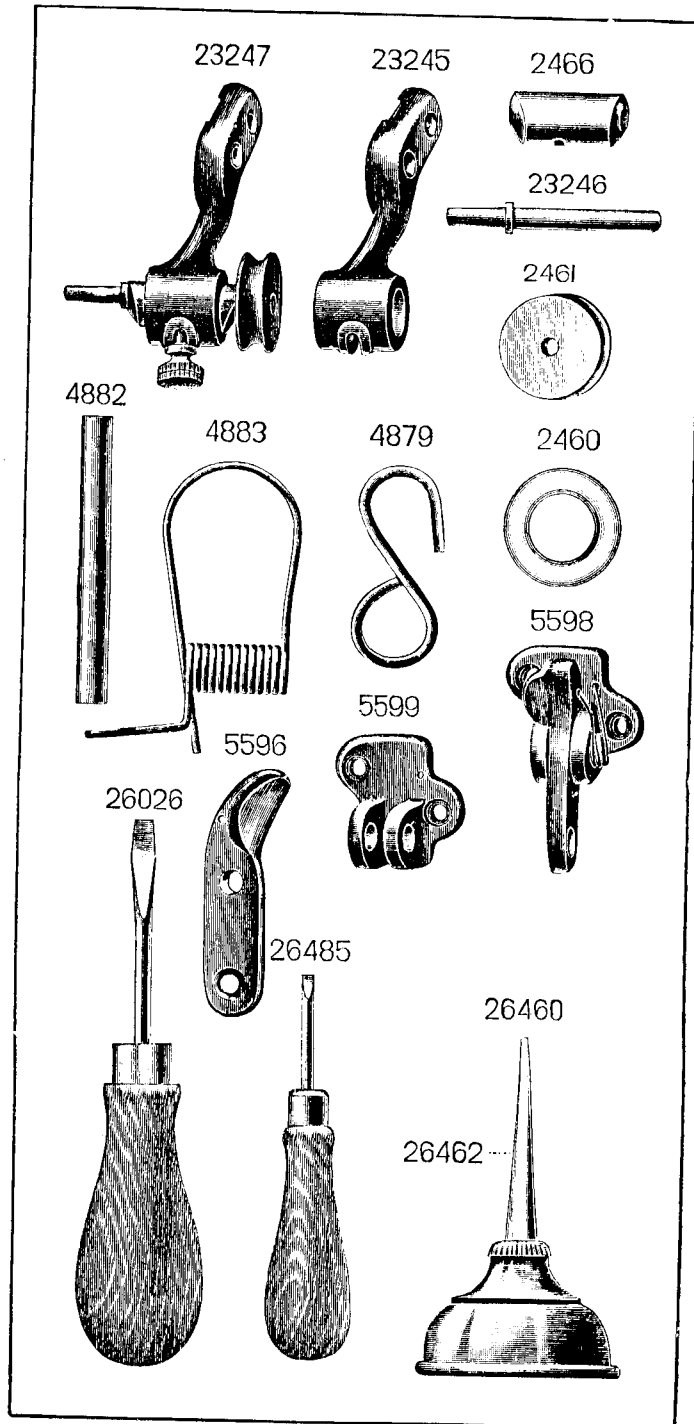


PLATE 2211—ONE-HALF SIZE

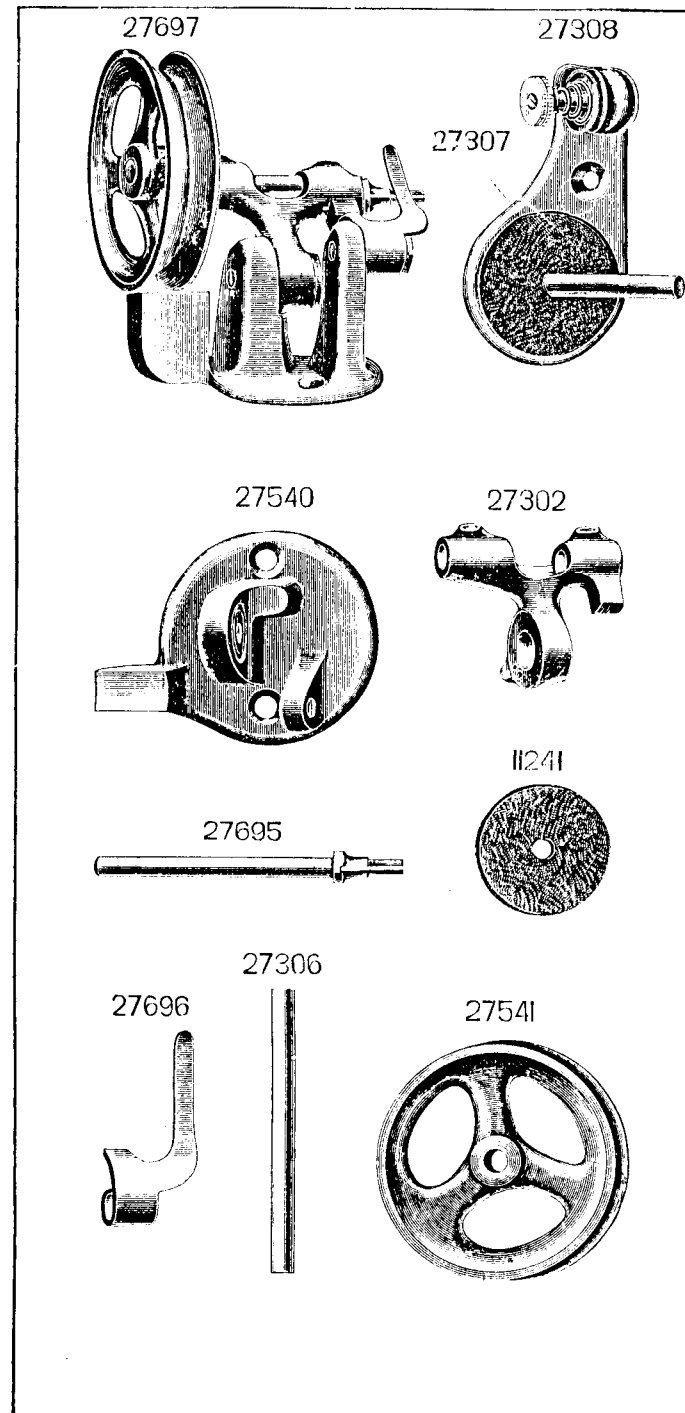


PLATE 2212—FULL SIZE

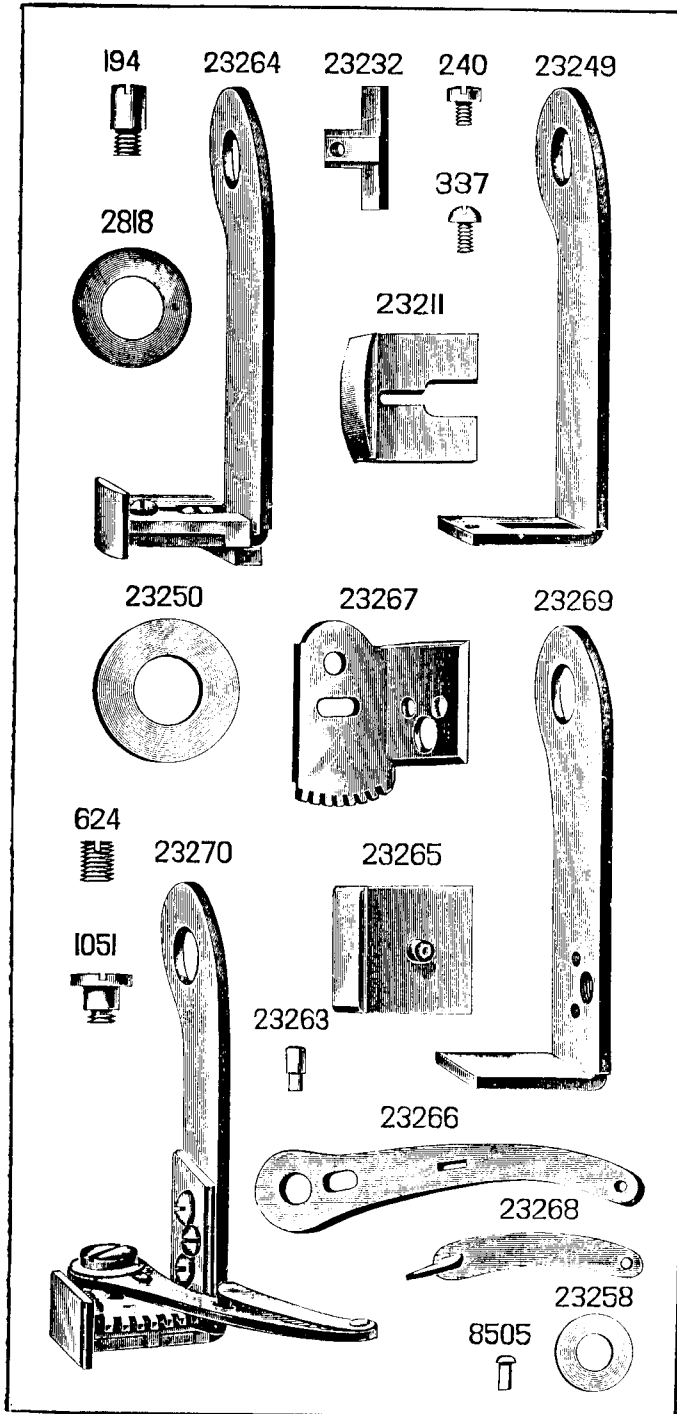


PLATE 2213—FULL SIZE

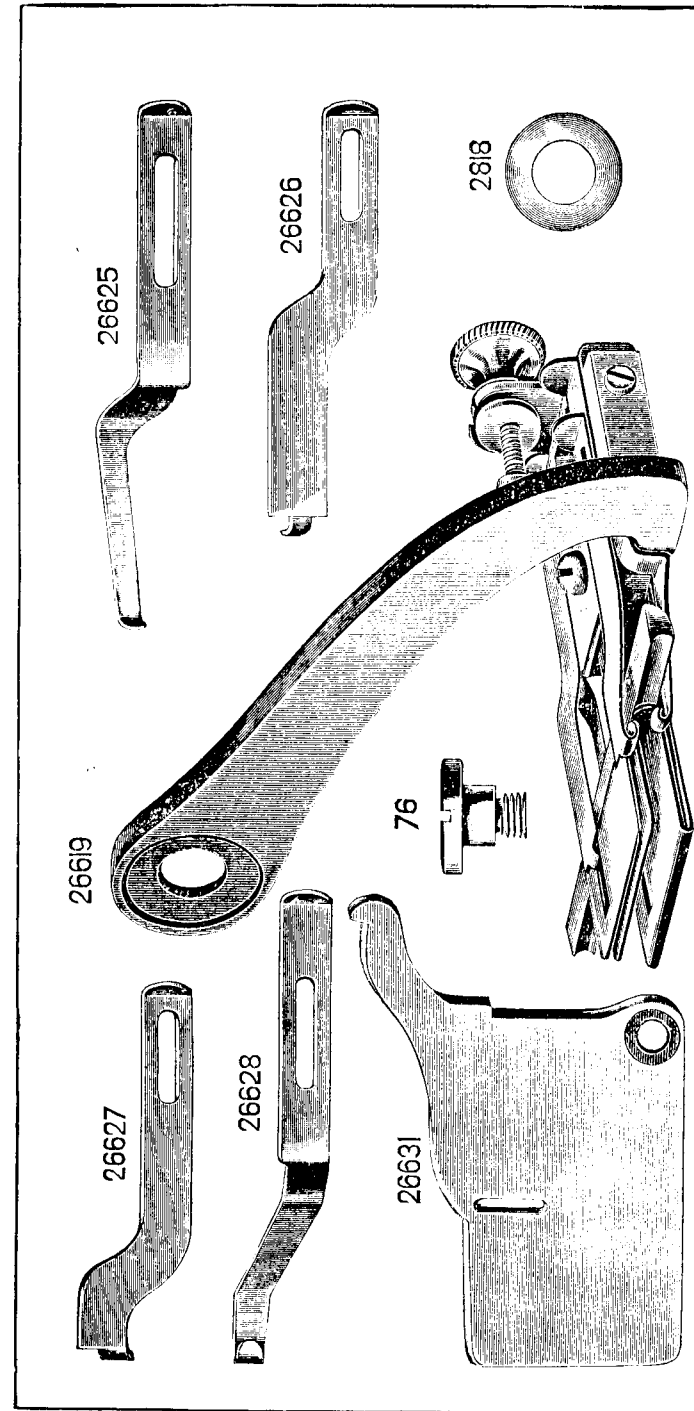


PLATE 2214—FULL SIZE

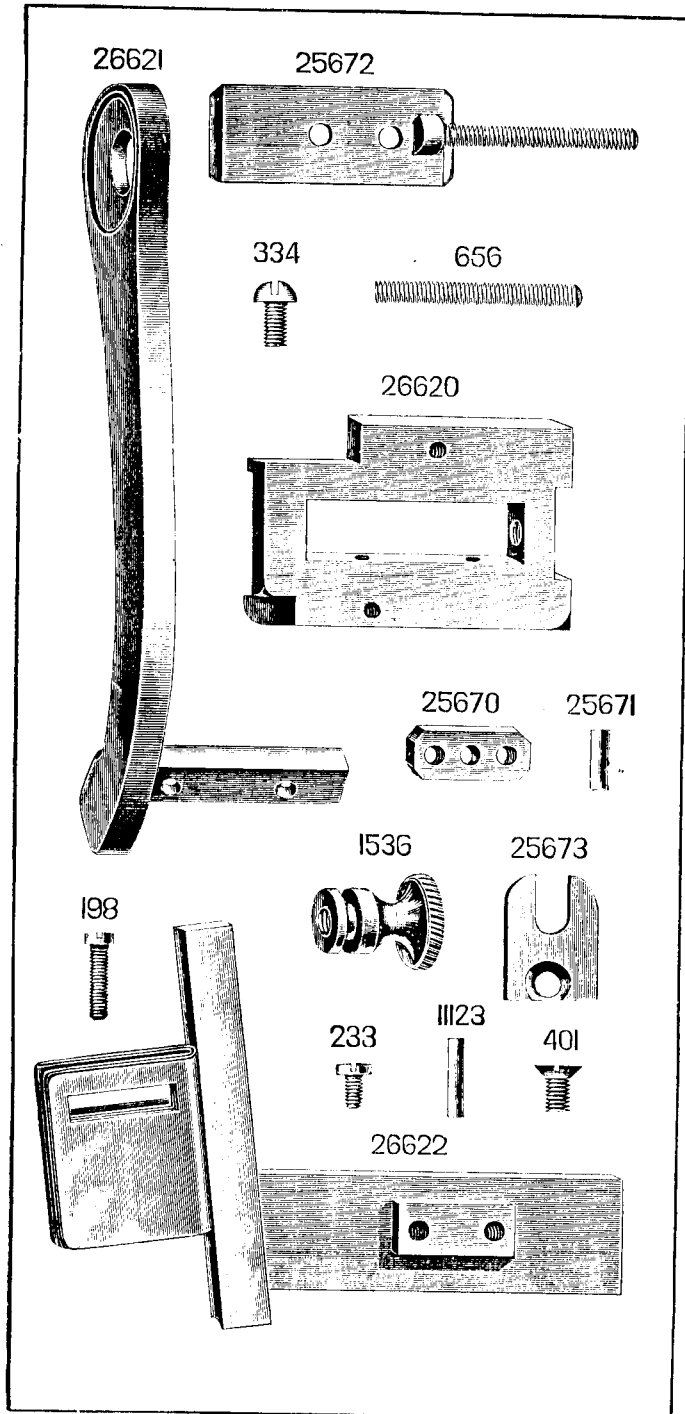


PLATE 2215—ONE-FOURTH SIZE

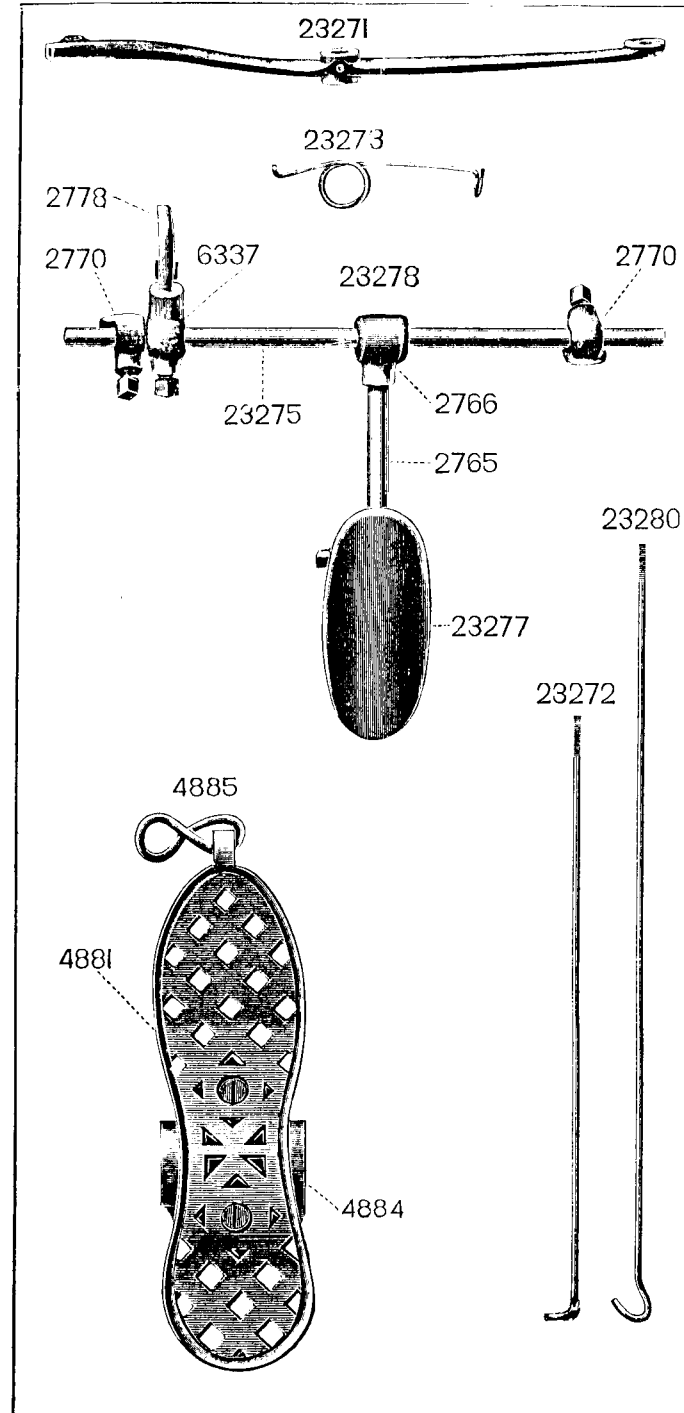


PLATE 2216—ONE-EIGHTH SIZE

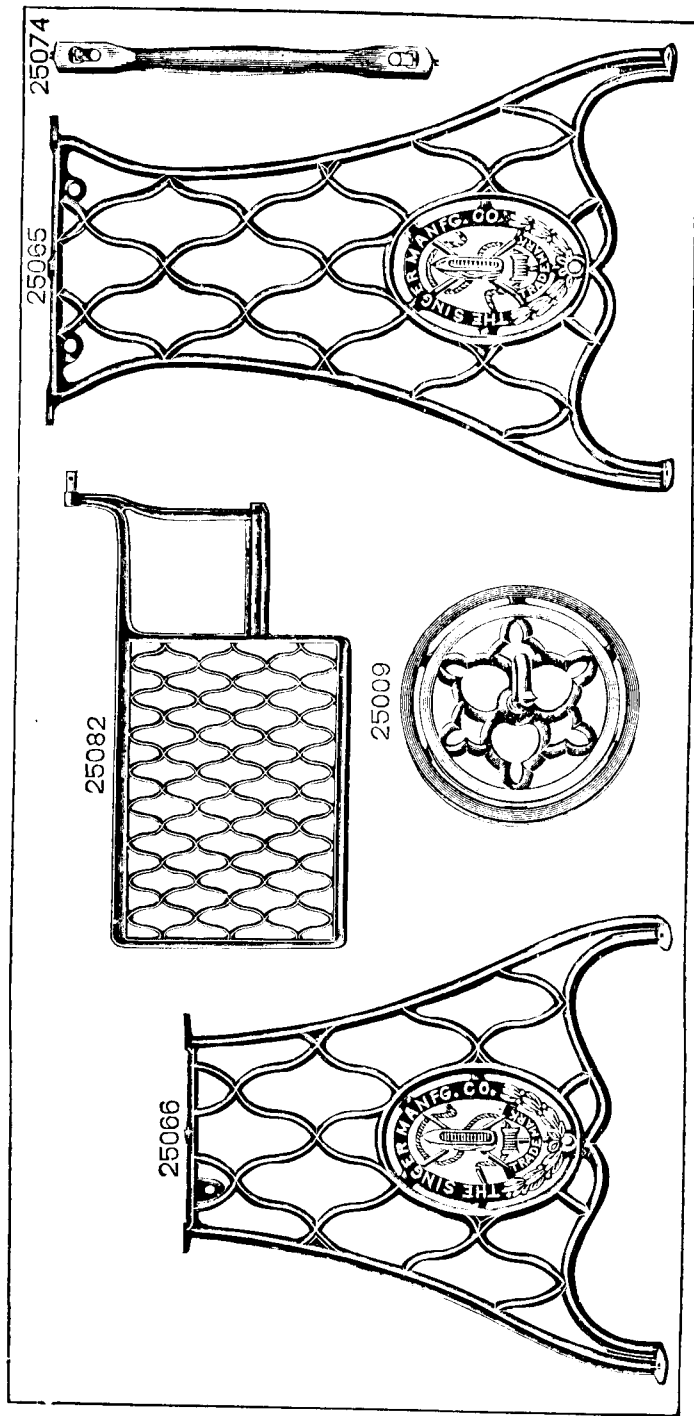


PLATE 2217—ONE-EIGHTH SIZE

