

PRICE LIST

OF

PARTS

FOR

No. 64-3

MACHINE

THE SINGER MANUFACTURING COMPANY

LIST OF PARTS

FOR

No. 64-3 MACHINE.

INDEX.

	PAGE
Attachments and Accessories.....	9
Binder.....	10
Bobbin Winder.....	12
Corder.....	10
Driving Attachment.....	13
Feller.....	11
For Under Cording.....	12
Hemmers.....	11
" on Shank.....	11
Iron Base for Machine.....	9
Knee Lifter Parts.....	15
Machine Parts.....	4
Numerical List of Parts.....	20
Presser Feet.....	12
Under Driver.....	16
Under Driver (Ball Bearing).....	18

In ordering from this list, use **ONLY** the **PART** number in the **FIRST** column.

The number stamped on a Sewing Machine part is in every case the number of the single part only.

Every combination of parts sent out as such has its specific number, which, although not stamped on the parts, must be used when ordering the combination.

Each number always indicates the **SAME PART** in whatever list it appears, or for whatever machine.

The letters after some of the numbers indicate the style of finish only, as follows:

- A. Hardened, Polished and Plated.
- B. Polished and Plated.
- C. Hardened only.
- D. Polished " "
- E. Soft, not polished.

These letters **MUST BE USED** when they appear in the list, and **AFTER** the number, as in the list.

In this series

- 1 to 1500 are Screw Numbers.
- 1501 " 1800 " Nut " "
- 1801 " 2000 " Roller " "
- 2001 and upward are numbers of Machine Parts.

The figures in the second column refer only to the plates illustrating the parts, and are **NOT TO BE USED** in ordering.

Parts marked with an asterisk (*) are furnished only when repairs are made at factory.

LIST OF PARTS COMPLETE FOR
No. 64-3 MACHINE.

Drop Feed, Lock Stitch, Rotating Hook and Take-up, for General Work
on Light and Medium Weight Fabrics. Knee Lifter.

No.	Plate	Name	Each
*29501	---	Arm	\$4 25
8582	3523	" Dowel Pin.....	02
12453	---	" Oil Tube.....	06
29600	3507	" " " 12453 with 29599 for oiling 29598	06
29599	3507	Arm Oil Tube Packing (felt).....per 100..	25
748E	3526	" Screw (back).....	08
868E	3527	" " (front)	10
29502	3500	" Shaft	2 50
29558	3500	" " Bushing (front).....	30
25152	3523	" " " " Packing (felt)..	01
435C	3506	" " " " Set Screw.....	04
29503	3500	" " " (intermediate).....	30
25152	3523	" " " " Packing (felt)	01
435C	3506	Arm Shaft Bushing (intermediate) Set Screw.....	04
29504	3500	Arm Shaft Flanged Bushing (back).....	1 00
25152	3523	" " " " " Packing (felt).....	01
159	3526	Arm Shaft Flanged Bushing (back) Screw.	03
144D	3526	" " Screw	08
12480	3501	" Side Cap.....	05
219	3526	" " " Screw.....	02
29505	---	" Top Cover.....	15
29506	3502	Arm Top Cover complete, Nos. 29505, 29507 and 29601.....	25
4430	3523	Arm Top Cover Friction Washer.....	01
79D	3526	" " " Hinge Screw.....	06
29507	3523	" " " Spool Pin and Thread Eyelet	05
29601	3523	Arm Top Cover Spool Pin and Thread Eyelet Washer (steel).....	03
24083	3500	Balance Wheel, light rim, 2½ in. pulley, with two 448C	80
448C	3526	Balance Wheel Set Screw.....	03
*29508	---	Bed.	4 50
29509	---	" Slide.....	25
29510	3502	Bed Slide complete, Nos. 4307, 29509 and two 240D.....	30
4307	3502	Bed Slide Spring.....	05
240D	3526	" " " Screw.....	02
29511	3501	Crank Connecting Rod.....	1 50
*29512	---	" " " Cap (lower).....	—

No.	Plate	Name	Each
175E	3526	Crank Connecting Rod Cap (lower) Screw.	\$ 02
*29513	---	" " " " (upper).....	—
1057E	3526	" " " " " Screw..	04
29623	3500	Face Plate with 29622.....	2 00
29624	---	Face Plate complete, Nos. 162D, 208E, 460C, 1037C, 29598, 29605, 29623, 29625, 29628, 29669, 29672 and two 29627	9 75
175D	3526	Face Plate Screw (lower).....	02
164D	3506	" " " (upper)	04
29625	3504	" " Thread Eyelet (lower).....	05
460C	3504	" " " " " Set Screw	02
29669	3504	" " " Guard	05
1037C	3504	" " " " Set Screw.....	04
29627	3504	" " " Guiding Pin.....	02
29628	3502	" " " Take-up Guard.....	75
162D	3526	" " " " " Screw..	04
29629	3501	Feed Bar.....	50
313C	3526	" " Screw Centre.....	04
1519E	3526	" " " " Nut.....	03
3033	3503	" Connecting Link.....	20
375C	3503	" " " Hinge Screw.....	12
1518E	3503	" " " " " Nut. . .	04
29522	3508	" Dog (feeding surface same as 26603).	50
29562	3508	" " (" " " " 12369).	50
29565	3508	" " (" " " " " 12370).	50
29573	3509	" " for shirt work (feeding surface similar to 12468).....	50
29576	3509	Feed Dog, for shirt work (feeding surface same as 12371).....	50
29579	3510	Feed Dog, ¼ in. stitch (feeding surface same as 20115).....	50
29580	3510	Feed Dog, ¼ in. stitch (feeding surface same as 20116).....	50
29582	3509	Feed Dog, for general work (feeding sur- face same as 12450).....	50
29607	3510	Feed Dog, for tucking.....	50
29611	3511	" " " shirt work (feeding surface same as 12481).....	50
29614	3511	Feed Dog, four teeth at right of needle, square corner.....	50
29617	3511	Feed Dog, ⅜ in. stitch (feeding surface same as 12460).....	50
208E	3507	Feed Dog Screw.....	02
29630	3501	" and Feed Lifting Eccentric with 448C	50
448C	3526	" " " " " Set Screw	03
29559	3501	" Eccentric Sleeve.....	75
24037	3501	" Forked Connection.....	75
375C	3503	" " " Hinge Screw.....	12
1518E	3503	" " " " " Nut. . .	04
29631	3501	" Lifting Rock Shaft.....	35

No. 64-3 Machine Parts.

No.	Plate	Name	Each
29632	—	Feed Lifting Rock Shaft complete, Nos. 260, 1521E, 29631, 29633 and 29636.....	\$1 20
29633	3503	Feed Lifting Rock Shaft Crank with 157E.....	25
	157E 3503	“ “ “ “ “ Clamping Screw.....	04
29634	3501	Feed Lifting Rock Shaft Crank Connecting Rod.....	1 00
*29635	—	Feed Lifting Rock Shaft Crank Connecting Rod Cap.....	—
	145E 3526	Feed Lifting Rock Shaft Crank Connecting Rod Cap Screw.....	04
	375C 3503	Feed Lifting Rock Shaft Crank Connecting Rod Hinge Screw.....	12
	1518E 3503	Feed Lifting Rock Shaft Crank Connecting Rod Hinge Screw Nut.....	04
	307C 3526	Feed Lifting Rock Shaft Screw Centre.....	06
	1513C 2642	“ “ “ “ “ Nut.....	05
29636	3503	“ “ “ “ Slide Block.....	50
	260 3503	“ “ “ “ “ Screw Stud.....	08
	1521E 3503	Feed Lifting Rock Shaft Slide Block Screw Stud Nut.....	03
	3039 3503	Feed Regulator.....	25
	1128E 3503	“ “ Hinge Screw.....	12
	818D 3503	“ “ Thumb Screw.....	10
	16506 3501	“ Rock Shaft.....	35
	24376	“ “ “ 16506 with 29633.....	60
	29633 3503	“ “ “ Crank with 157E.....	25
	157E 3503	“ “ “ “ Clamping Screw.....	04
	307C 3526	“ “ “ “ Screw Centre.....	06
	1513C 2642	“ “ “ “ “ Nut.....	05
	25874 2045	Guide for raised throat plates.....	15
	25866 2045	“ “ flush “ “.....	15
	284D 3527	“ “ Thumb Screw for 25874.....	10
	732D 3527	“ “ “ “ 25866.....	10
	29657 3504	Needle Bar.....	60
	29593 3504	“ “ Bushing with 29532.....	80
	1133E 3504	“ “ “ Set Screw.....	02
	29528 3504	“ “ Connecting Link with 794E.....	75
	794E 3504	“ “ “ “ Adjusting Screw.....	05
	29529 3504	Needle Bar Connecting Link Hinge Stud.....	10
	1037C 3504	“ “ “ “ “ “ “ Set Screw.....	04
	29594 3504	Needle Bar Connecting Stud with 207.....	35
	207 3504	“ “ “ “ “ Clamping Screw.....	02
	29595 3504	Needle Bar Crank with 858C, 1065C and two 1037C.....	80
	1065C 3504	Needle Bar Crank Position Screw.....	10
	858C 3504	“ “ “ “ Set Screw.....	03
	29560 3504	“ “ Gib.....	15

No. 64-3 Machine Parts.

No.	Plate	Name	Each
936D	3504	Needle Bar Hole Bushing.....	\$ 06
2070	3504	“ “ “ Washer.....	01
29532	3504	“ “ Oil Cup.....	03
29533	3504	“ Clamp with 196 and 29560.....	80
	196 3504	“ “ Set Screw.....	02
	12391 3502	Presser Bar (hollow).....	80
	29596 3505	“ “ Guide Bracket with 453C.....	35
	453C 3505	“ “ “ “ Set Screw.....	02
	2062 3505	“ “ Lifter.....	20
	689C 3505	“ “ “ “ Screw.....	10
	1520E 3505	“ “ “ “ Nut.....	03
	12327 3505	“ “ Lifting and Releasing Lever Bracket.....	50
	860C 3505	Presser Bar Plug Screw.....	03
	11167 3502	“ “ Spring.....	05
	11170 3505	“ “ “ Washer.....	01
	29638 3521	“ Foot for 29576.....	45
	29610 3521	“ “ “ 29607.....	60
	29534 3521	“ “ “ 29522.....	45
	29658 3521	“ “ “ 29582.....	45
	29660 3521	“ “ with 228D, for 29579, 29580 and Strip Gauge.....	60
	29677 3521	Presser Foot for 29573.....	45
	190D 3528	“ “ “ Screw.....	03
	688E 3527	Pressure Regulating Thumb Screw.....	25
	29663 3506	Rotating Hook.....	1 00
	29619 3506	“ “ Bobbin.....	08
	29664 3506	Rotating Hook Bobbin Case complete, Nos. 591, 1163, 2080, 29539, 29540 and 29665 to 29667.....	1 50
	29539 3506	Rotating Hook Bobbin Case Latch.....	25
	29540 3506	“ “ “ “ “ Spring.....	10
	591 3506	“ “ “ “ “ “ “ Screw.....	02
	29620 3506	Rotating Hook Bobbin Case Position Bracket with 578 and 29659.....	75
	29659 3506	Rotating Hook Bobbin Case Position Bracket Plate with 4621.....	15
	578 3506	Rotating Hook Bobbin Case Position Bracket Plate Screw.....	02
	4621 3506	Rotating Hook Bobbin Case Position Bracket Plate Steady Pin..... per 100..	25
	164D 3506	Rotating Hook Bobbin Case Position Bracket Screw.....	04
	1163 3506	Rotating Hook Bobbin Case Tension Regulating Screw.....	05
	29665 3506	Rotating Hook Bobbin Case Tension Spring.....	20
	29666 3506	“ “ “ “ “ Thread Guard.....	05
	2080 3506	“ “ “ “ “ “ “ Rivet.....	01
	29667 3506	Rotating Hook Bobbin Retaining Spring.....	05
	29668 3506	“ “ “ Carrier.....	1 00

No. 64-3 Machine Parts.

No.	Plate	Name	Each
2269	3506	Rotating Hook Carrier Pin.....	01
29543	3502	" " " Shaft.....	30
29544	3503	" " " " Bushing (back).....	40
29561	3503	Rotating Hook Carrier Shaft Bushing (front).....	40
29545	3503	Rotating Hook Carrier Shaft Crank with two 191c.....	1 75
191c	3503	Rotating Hook Carrier Shaft Crank Set Screw.....	03
621b	3506	Rotating Hook Screw.....	02
29546	3506	" " Thread Releaser.....	1 75
29547	3506	" " " " Hinge Stud.....	15
485c	3506	Rotating Hook Thread Releaser Hinge Stud Set Screw.....	04
29548	3506	Rotating Hook Thread Releaser Spring....	05
2049	3506	" " " " Pin	01
29641	3505	Slack Thread Regulator.....	10
2921	3505	Tension Disc.....	05
1560c	3505	" Regulating Thumb Nut.....	04
20185	3505	" Releaser.....	15
29676	3505	" Releasing Lever.....	20
12398	3505	" " " Hinge Pin.....	01
12329	3505	" " " Spring.....	02
600	3505	" Screw Stud.....	10
196	3504	" " " Set Screw.....	02
29661	3505	" Spring.....	05
29642	3505	Thread Eyelet (side of arm).....	15
460c	3504	" " " " Set Screw....	02
18172	3505	" " (top of arm).....	10
29670	3507	" Take-up Body.....	4 75
29672	—	Thread Take-up complete, Nos. 1145, 1160, 1164, 29656, 29670, 29671 and 29675.....	5 50
1164	3507	Thread Take-up Body Position Screw.....	06
29671	3507	" " Shaft.....	40
29632	3507	" " " Bushing with 2653..	40
2653	3507	" " " " Position Pin.....	01
29598	3507	Thread Take-up Shaft Crank (forked) with two 1120c.....	75
29553	3507	Thread Take-up Shaft Crank Slide Block..	40
1120c	3507	" " " " Set Screw...	03
29662	3505	" " Spring.....	03
29554	3505	" " " Regulator with 196	25
448c	3526	" " " " Set Ser.	03
29675	3507	" " Thread Retainer.....	20
29605	3507	" " " " Cam.....	30
208E	3507	" " " " " Screw	02
1160	3507	" " " " " Hinge Screw.....	04
29656	3507	Thread Take-up Thread Retainer Spring..	05

No. 64-3 Machine Parts.

No.	Plate	Name	Each
1145	3507	Thread Take-up Thread Retainer Spring Screw.....	03
29556	3508	Thread Plate, large needle hole, for 29522..	50
29557	—	" " small " " " " " " ..	50
29563	3508	" " large " " " " " " ..	50
29564	—	" " small " " " " " " ..	50
29566	3508	" " large " " " " " " ..	50
29567	—	" " small " " " " " " ..	50
29574	3509	" " large " " " " " " ..	50
29575	—	" " small " " " " " " ..	50
29577	3509	" " large " " " " " " ..	50
29578	—	" " small " " " " " " ..	50
29581	3510	" " " " " " " " 29579 & 29580.....	50
29583	3509	Throat Plate, large needle hole, for 29582..	50
29584	—	" " small " " " " " " ..	50
29608	3510	" " large " " " " " " ..	50
29609	—	" " small " " " " " " ..	50
29612	3511	" " large " " " " " " ..	50
29613	—	" " small " " " " " " ..	50
29615	3511	" " large " " " " " " ..	50
29616	—	" " small " " " " " " ..	50
29618	3511	" " " " " " " " 29617..	50
691	3526	" " Screw.....	04
24079	3539	Drip Pan with four 1 in. wire nails.....	25

IRON BASE.

No.	Plate	Name	Each
24106	3523	Bed Frame Cushion (felt).....	02
180c	3526	" " " " Screw.....	03
24107	3523	" " Hinge Connection.....	15
9261	3523	" " " " Pin.....	02
970b	3527	" " Thumb Screw.....	20
24108	3538	Bed Frame complete, Nos. 970b, two each 9261, 24107, four each 180c, 24106 and six wood screws 1 1/4 in. No. 10.....	1 75

ATTACHMENTS AND ACCESSORIES.

No.	Plate	Name	Each
12361	3523	Machine Hinge Connection.....	15
12362	3523	" " Plate.....	15
12363	—	Machine Hinge complete, Nos. 12361, 12362 and two wood screws 1 1/4 in. No. 14.....	30
12405	3523	Machine Rest (felt).....	02
26460	2045	Oiler with Cap and 26462.....	05
26461	—	" 26460 filled with oil.....	08

Attachments and Accessories.

No.	Plate	Name	Each
26462	2045	Oiler Spout, 2 in. long.....	\$ 01
26026	2045	Screw Driver (machine).....	10
26485	2045	" " (shuttle tension).....	05
8909	2045	Wrench for 1513 and 1518.....	10
4822	2045	" " 1521 " 1528.....	05
8908	2045	" " 1520.....	08
19221	2045	" " 936.....	15
22003	2045	" " 1550.....	05

BINDER (English).

No.	Plate	Name	Each
26957	3528	Feed Dog.....	\$ 50
25733	3528	Folder.....	1 75
207	3528	" Screw.....	02
7071	3528	" " Washer.....	01
26400	3528	Presser Foot.....	75
26617	3528	Ribbon Tension Pin (bent).....	05
26486	3528	" " " (straight).....	05
26618	3528	" " Plate.....	35
25734	3528	Ribbon Tension complete, Nos. 26617, 26618 and seven 26486.....	75
190D	3528	Ribbon Tension Screw.....	03
7071	3528	" " " Washer.....	01
26958	3528	Throat Plate.....	60
26959	—	Binder complete, Nos. 207, 25733, 25734, 26400, 26957, 26958, two 190D and three 7071.....	4 45

CORDER

FOR TOP AND BOTTOM CORDING.

No.	Plate	Name	Each
25788	2026	Arm with 25789.....	\$ 75
190D	2026	" Adjusting Screw.....	03
25791	2026	" Bracket.....	30
25790	2026	" Hinge Pin.....	01
879D	2026	" Locking Screw.....	08
25789	2026	" Tip.....	25
25792	2026	Arm and Bracket complete, Nos. 190D, 879D, 25788, 25790 and 25791.....	1 15
26993	3529	Feed Dog.....	50
26167	3529	Presser Foot.....	75
26994	3529	Throat Plate.....	75
26995	—	Corder complete, Nos. 25792, 26167, 26993, 26994 and two 135D.....	3 25
135D	2026	Corder Screw.....	05

FELLER.

No.	Plate	Name	Each
28363	3535	Feller (foot).....	\$ 35

HEMMERS.

No.	Plate	Name	Each
28609	3535	Hemmer (foot) $\frac{1}{16}$ in. hem, for 29576, for lace work.....	\$ 65
28610	—	Hemmer (foot) $\frac{3}{16}$ in. hem, for 29576.....	65
28781	—	" " $\frac{3}{32}$ " " " " for lace work.....	65
28547	3534	Hemmer (foot) $\frac{1}{8}$ in. hem, for 29576.....	65
28548	—	" " $\frac{3}{16}$ " " " " ".....	70
28608	—	" " $\frac{1}{4}$ " " " " ".....	75
6267	3534	" Folder.....	02
25888	3534	" Tongue.....	01

NOTE:—When ordering No. 6267 or No. 25888 give width of hem and No. of Hemmer for which it is required.

HEMMERS ON SHANK.

No.	Plate	Name	Each
28797	3534	Feed Dog for hemming.....	\$ 50
26652	—	Hemmer, $\frac{3}{8}$ in. hem, for 26655.....	80
26654	3533	" Rivet.....	01
26653	3533	" Shank.....	25
26655	2031	Hemmer complete, Nos. 26652 to 26654.....	1 00
26659	—	" for 26660.....	80
26660	2031	Hemmer complete, for umbrella work, Nos. 26653, 26654 and 26659.....	1 00
26661	—	Hemmer (wide) for 26662.....	80
26662	2031	Hemmer complete, Nos. 26653, 26654 and 26661.....	1 00
26663	—	Hemmer for 26664.....	1 00
26664	3533	Hemmer complete, for raw edge silk, Nos. 26653, 26654 and 26663.....	1 25
26665	—	Hemmer, $\frac{1}{8}$ in. hem, for 26666.....	80
26666	3533	Hemmer complete, Nos. 26653, 26654 and 26665.....	1 00
26934	—	Hemmer (narrow) for 26935.....	1 00
26935	3534	Hemmer complete, Nos. 26653, 26654 and 26934.....	1 25
28649	3531	Hemmer on Shank.....	1 50
28650	3531	Hemmer on Shank, for hemming heavy Canton flannel.....	1 00

Hemmers on Shank.

No.	Plate	Name	Each
28651	2605	Hemmer on Shank, for turning tops and bottoms of canvas leggings.....	\$2 00
28652	2605	Hemmer on Shank, for 1 ⁹ / ₁₆ in. to 2 in. hem.	1 25
28653	—	“ “ “ “ 2 ⁹ / ₁₆ “ “ 3 “ “	1 50
28710	3532	“ “ “ “ ¹ / ₄ in. hem.....	1 25
28711	3530	“ “ “ “ ³ / ₁₆ “ “ for hemming towels.....	1 00
28719	2613	Hemmer on Shank, for ¹ / ₄ in. to ¹ / ₂ in. hem...	1 00
28720	2613	“ “ “ “ ³ / ₄ “ “ to 1 “ “	1 25
28721	—	“ “ “ “ 1 ¹ / ₄ “ “ to 2 “ “	1 50
28722	2613	“ “ “ “ heavy woven goods.	1 50
28723	3530	“ “ “ “ with Guide for hemming and stitching on lace in one operation.....	1 75
28736	3532	Hemmer on Shank, for umbrella work....	1 50
28737	3530	“ “ “ “ soft material, to turn the hem under.....	1 75
28738	3531	Hemmer on Shank, for ³ / ₄ in. hem, to turn the hem under.....	2 50
28739	3536	Hemmer on Shank, for 3 in. hem, for sheets and pillow slips, to turn the hem under...	4 50
28798	3534	Presser Foot for 26655, 26664 and 28797....	75
28799	3534	Throat Plate, large needle hole, for 28797..	50
28800	—	“ “ small “ “ “ “	50

PRESSER FEET.

No.	Plate	Name	Each
28893	3532	Presser Foot (single toe) for gathering....	\$ 60
28919	—	Presser Foot (strip folding).....	3 50

FOR UNDER CORDING.

No.	Plate	Name	Each
28916	—	Feed Dog.....	\$ 50
28917	—	Throat Plate, large needle hole, for under cording, for 28916.....	1 25

BOBBIN WINDER.

(SWINGING AUTOMATIC, RIGHT HAND.)

No.	Plate	Name	Each
27825	2812	Base.....	\$ 20
15072	3525	Bobbin Position Pin.....per 100..	10
27302	2812	Frame.....	15
32D	3526	“ Hinge Screw.....	10

Bobbin Winder.

No.	Plate	Name	Each
27303	3525	Frame Spring.....	\$ 03
5960	2812	Friction Wheel (leather).....	10
27826	2812	“ “ Washer.....	05
397D	3526	“ “ Screw.....	04
27827	2812	Pulley.....	20
27828	2812	“ Frame.....	15
32D	3526	“ “ Hinge Screw.....	10
27829	3525	“ “ Spring.....	03
27830	2812	“ Stud.....	10
27831	2812	Spindle with 15072.....	20
5963	2812	“ Flange.....	06
27306	2812	Spool Pin.....	05
27307	2812	“ Stand.....	10
27308	2812	Spool Stand complete, Nos. 418b, 1562b, 2106, 10141, 11241, 27306, 27307, wood screw 1 in. No. 10 and two 2455.....	35
11241	2812	Spool Washer (cloth).....per 100..	25
27699	2812	Stop Latch.....	10
35D	3526	“ “ Hinge Screw.....	07
2455	3525	Tension Disc.....	02
1562D	3526	“ Regulating Thumb Nut.....	04
418D	3527	“ Screw Stud.....	08
10141	3525	“ Spring.....	01
2106	3525	“ Thread Guide.....	01
27832	2812	Bobbin Winder, Nos. 35D, 397D, 5960, 5963, 27302, 27303, 27699, 27825 to 27831 and two each 32D and wood screws 1 in. No. 7	1 65
27833	—	Bobbin Winder (swinging automatic, right hand) complete, Nos. 27308 and 27832....	2 00

DRIVING ATTACHMENT.

No.	Plate	Name	Each
29649	3537	Balance Wheel with 7958, 16524 and two 418c.....	\$1 00
16524	—	Balance Wheel Friction Ring (leather).....	05
7958	2612	“ “ “ “ Stop Pin....	01
418C	3526	“ “ Set Screw.....	03
15072	3525	Bobbin Position Pin for 29651....per 100..	10
16514	3524	“ Winder Frame.....	15
32D	3526	“ “ Hinge Screw.....	10
29650	3524	Bobbin Winder Frame complete, Nos. 333D, 5960, 5961, 16514, 29651 and 29652.....	60
5960	2812	Bobbin Winder Friction Wheel (leather)...	10
5961	3525	“ “ “ “ Washer....	05
333D	3526	“ “ “ “ Screw.....	04
29651	3525	Bobbin Winder Spindle with 15072.....	15
29652	3525	“ “ “ Flange.....	06

14				Driving Attachment.			
No.	Plate	Name	Each				
27306	2812	Bobbin Winder Spool Pin.....	05				
27307	2812	" " " Stand.....	10				
27308	2812	Bobbin Winder Spool Stand complete, Nos. 418D, 1562D, 2106, 10141, 11241, 27306, 27307, wood screw 1 in. No. 10 and two 2455.....	35				
11241	2812	Bobbin Winder Spool Washer (cloth)per 100.....	25				
12170	3525	Bobbin Winder Spring.....	03				
180	3526	" " " Screw.....	03				
19258	3525	" " Stop Latch with 152 and 1550.....	35				
152	3525	Bobbin Winder Stop Latch Adjusting Screw	03				
1550	3525	" " " " " " " "	03				
75D	3525	Bobbin Winder Stop Latch Hinge Screw...	08				
27303	3525	" " " " Spring.....	03				
7958	2642	" " " Stop Pin.....	01				
2455	3525	" " Tension Disc.....	02				
1562D	3526	" " " Regulating Thumb Nut.....	04				
418D	3527	Bobbin Winder Tension Screw Stud.....	08				
10141	3525	" " " Spring.....	01				
2106	3525	" " " Thread Guide.....	01				
16530	3537	Bracket for 29654.....	30				
692D	3527	" Screw.....	10				
16528	3539	Drip Pan with four 1 in. wire nails.....	25				
29653	3537	Driving Arm with 7958 and two each 2928 and 29673.....	60				
2928	3525	Driving Arm Brake (leather).....	05				
29673	3525	" " " Rivet.....	--				
29674	3525	" " Friction Plug (wood).....	01				
427E	1101	" " " Adjusting Screw	08				
1508O	1101	" " " " " " " "	06				
693D	3526	Driving Arm Hinge Screw.....	49				
1579O	3527	" " " " Nut.....	08				
16519	3524	" " Pitman.....	10				
16520	3524	" " " Crank with 803c and 1520E.....	25				
803O	3526	Driving Arm Pitman Crank Adjusting Screw	10				
1520E	3505	" " " " " " " "	03				
2022	3525	Driving Arm Pitman Crank Pin.....	01				
16521	3524	" " " Spring.....	10				
65D	3526	" " " Hinge Screw.....	12				
29654	---	Driving Arm complete, Nos. 32D, 75D, 180, 427E, 693D, 1508O, 1579O, 12170, 16530, 19258, 27303, 29650, 29653 and 29674.....	3 00				
16594	3537	Driving Friction Pulley, 2½ in. diam., with 10236.....	75				
10236	3525	Driving Friction Pulley Centre Bearing.....	09				

15				Driving Attachment.			
No.	Plate	Name	Each				
27072	3537	Shaft Driving Pulley, 12 in. diam., grooved, 1½ in. bore, sectional, with two 597c.....	55				
597c	2642	Shaft Driving Pulley Clamping Screw.....	08				
12189	3524	Starting Crank.....	15				
2022	3525	" " Pin.....	01				
16525	3524	" " Shaft.....	10				
16526	3537	" " " Bracket.....	35				
130D	3526	" " " " Screw.....	06				
16527	---	Starting Crank Shaft Bracket complete, Nos. 12189, 16520, 16521, 16525, 16526 and two 2022.....	1 00				
27636	363	Treadle.....	30				
9082	1101	" Bearing Cotter Pin.....	01				
27637	362	" Pitman Rod (lower).....	05				
27638	1101	" " " " Spring.....	03				
2877	3537	" " " (upper) for 15130.....	05				
14081	3537	" " " " " 14233.....	10				
9079	362	" " " Clamp with 354c.....	12				
354O	1101	" " " " Screw.....	06				
15130	---	Treadle Pitman complete, Nos. 2762, 2877, 9079, 27637 and 27638.....	35				
14233	---	Treadle Pitman complete, Nos. 2762, 9079, 14081, 27637 and 27638, for bench stand...	40				
2878	363	Treadle Stand.....	15				
27642	---	Treadle complete, Nos. 2878, 9082, 27636 and four wood screws 1 in. No. 16.....	45				
15131	---	Treadle and Pitman complete, Nos. 15130 and 27642.....	80				
14234	---	Treadle and Pitman complete, Nos. 14233 and 27642.....	85				
2762	2642	Treadle Stop Collar with 362.....	10				
362	2642	" " " Set Screw.....	05				
29655	---	Driving Attachment complete, Nos. 692D, 14234 or 15131, 16519, 16527, 16594, 27072, 27308, 29649, 29654, two 65D and three 130D.....	7 80				

KNEE LIFTER PARTS.

No.	Plate	Name	Each
5596	3524	Bell Crank.....	05
5599	3524	" " Bracket.....	08
178c	3526	" " " Screw.....	03
5601	3523	" " Hinge Pin.....	01
5735	3523	" " Spring.....	02
5598	3524	Bell Crank complete, Nos. 5596, 5599, 5601 and 5735.....	20
16510	3524	Lifting Lever with 448c.....	20
12415	3524	" " " Connecting Rod.....	08

Knee Lifter Parts.

No.	Plate	Name	Each
12416	3523	Lifting Lever Connecting Rod Joint.....	\$ 08
76D	3526	" " " " " Hinge Screw.....	06
1521E	3503	Lifting Lever Connecting Rod Lock Nut..	03
802D	3526	" " Hinge Screw.....	10
12241	3523	" " Link.....	10
766D	3526	" " " Hinge Screw.....	05
12240	3523	" " Pin.....	05
448C	3526	" " " Set Screw.....	03
2763	3538	Rock Shaft.....	10
12242	3538	" " Hanger with two wood screws 1 in. No. 10.....	08
2765	3538	Rock Shaft Knee Arm.....	10
2766	3538	" " " " Hub with 356c.....	15
356c	3527	" " " " " Set Screw.....	06
2768	---	Rock Shaft Knee Arm complete, Nos. 2765 to 2767.....	40
2767	3538	Rock Shaft Knee Plate with 356c.....	18
356c	3527	" " " " " Set Screw.....	06
6337	3538	" " Lifting Bracket with two 356c	20
2778	3538	" " " " " Hook.....	05
356c	3527	" " " " " Set Screw	06
356c	3527	" " " " " Set Screw....	06
2770	3538	" " Stop Dog with 356c.....	12
356c	3527	" " " " " Set Screw.....	06
2777	3538	Rock Shaft complete, Nos. 2763, 2768, 2770, 2778, 6337 and two 12242.....	1 00
16512	--	Knee Lifter complete, Nos. 76D, 766D, 802D, 1521E, 2777, 5598, 12240, 12241, 12415, 12416, 16510 and two 178c.....	1 95

UNDER DRIVER.

LEVER PRESSURE, RIGHT HAND (OIL CONTROLLING PULLEY).

No.	Plate	Name	Each
27508	362	Belt Guard.....	\$ 08
356c	3527	" " Screw.....	06
2018	1101	" " " Washer.....	01
27609	362	Cone Pulley, three speed, 2½ in., 3¼ in. and 5¼ in. diam., with 27473.....	60
27473	1101	Cone Pulley Centre Bearing.....	08
27474	363	Dress Guard (right hand).....	08
138E	1101	" " Screw.....	05
27630	362	Driving Pulley, 6 in. diam., with 955c, 27476 and two 7958.....	60
27476	---	Driving Pulley Friction Ring (leather)...	05
7958	2642	" " " " " Stop Pin....	01
27631	1101	" " Hollow Stud with 27600...	15
27600	1101	" " " " " Position Stud.	02

Under Driver.

No.	Plate	Name	Each
356c	3527	Driving Pulley Hollow Stud Set Screw....	\$ 06
27632	---	" " " " " Wick.....	01
27633	---	" " " " " Wire with 27632.....	05
955c	1101	Driving Pulley Screw Centre Bearing....	08
7958	2642	" " " " " Dowel Pin.....	01
27634	362	Frame.....	60
27529	362	Lever.....	25
27497	1101	" Brake Strip (leather).....	02
27483	1101	" " Spring.....	02
12178	1101	" Centre Plug (wood).....	01
427E	1101	" " " Adjusting Screw.....	08
1508c	1101	" " " " " Nut...	06
27485	1101	" Hinge Pin.....	01
27635	362	Oil Cup.....	25
145E	3526	" " Screw.....	04
27070	363	Shaft Driving Pulley, 10 in. diam. (grooved) 1¼ in. bore, sectional, with two 597c...	45
597c	2642	Shaft Driving Pulley Clamping Screw....	08
27636	363	Treadle.....	30
9082	1101	" Bearing Cotter Pin.....	01
27637	362	" Pitman Rod (lower).....	05
27638	1101	" " " Spring.....	03
27639	362	" " " (upper).....	05
9079	362	" " " Clamp with 354c. ...	12
354c	1101	" " " " " Screw.....	06
27640	2640	Treadle Pitman complete, Nos. 2762, 9079 and 27637 to 27639.....	35
2762	2642	Treadle Stop Collar with 362.....	10
362	2642	" " " Set Screw.....	05
2878	363	" Stand.....	15
27642	---	Treadle complete, Nos. 2878, 9082, 27636 and four wood screws 1 in. No. 16.....	45
27643	---	Treadle and Pitman complete, Nos. 27640 and 27642.....	80
27644	---	Transmitter complete for 27645, Nos. 138E, 427E, 1508c, 2018, 12178, 27474, 27483, 27485, 27497, 27508, 27509, 27529, 27630, 27631, 27633 to 27635, two each 145E and 356c and four wood screws ½ in., No. 16.	3 00
27645	---	Under Driver, lever pressure, three speed, complete, Nos. 27070, 27643 and 27644. ...	4 00

NUMERICAL LIST.

No.	Plate	Name	Each
26c	3503	Feed Lifting Rock Shaft Slide Block Screw Stud for 29632.....	08
32D	3526	Bobbin Winder Frame Hinge Screw for 27882 and 29654.....	10
32D	3526	Bobbin Winder Pulley Frame Hinge Screw for 27832.....	10
35D	3526	Bobbin Winder Stop Latch Hinge Screw for 27832.....	07
65D	3526	Driving Attachment Driving Arm Pitman Hinge Screw for 29655.....	12
75D	3525	Driving Attachment Bobbin Winder Stop Latch Hinge Screw for 29654.....	08
76D	3526	Knee Lifter Lifting Lever Connecting Rod Joint Hinge Screw for 16512.....	06
79D	3526	Arm Top Cover Hinge Screw.....	06
130D	3526	Driving Attachment Starting Crank Shaft Bracket Screw for 26955.....	06
135D	2026	Corder Screw for 26995.....	05
188E	1101	Under Driver Dress Guard Screw for 27644	05
144D	3526	Arm Shaft Screw.....	08
145E	3526	Feed Lifting Rock Shaft Crank Connecting Rod Cap Screw.....	04
145E	3526	Under Driver Oil Cup Screw for 27644.	04
152	3525	Driving Attachment Bobbin Winder Stop Latch Adjusting Screw for 19258.....	03
157E	3503	Feed Lifting Rock Shaft Crank Clamping Screw for 29633.....	04
157E	3503	Feed Rock Shaft Crank Clamping Screw for 29633.....	04
159	3526	Arm Shaft Flanged Bushing (back) Screw.	03
162D	3526	Face Plate Thread Take-up Guard Screw for 29624.....	04
164D	3506	Face Plate Screw (upper).....	04
164D	3506	Rotating Hook Bobbin Case Position Bracket Screw.....	04
175E	3526	Crank Connecting Rod Cap (lower) Screw.	02
175D	3526	Face Plate Screw (lower).....	02
178c	3526	Knee Lifter Bell Crank Screw for 16512....	03
180c	3526	Bed Frame Cushion Screw for 24108.....	03
180	3526	Driving Attachment Bobbin Winder Spring Screw for 29654.....	03
190D	3528	Binder Ribbon Tension Screw for 26959 ...	03
190D	2026	Corder Arm Adjusting Screw for 25792....	03
190D	3528	Presser Foot Screw.....	03
191c	3503	Rotating Hook Carrier Shaft Crank Set Screw for 29545.....	03
196	3504	Needle Clamp Set Screw for 29533.....	02
196	3504	Tension Screw Stud Set Screw for 29554....	02

Numerical List of Parts.

21

No.	Plate	Name	Each
207	3528	Binder Folder Screw for 26959	02
207	3504	Needle Bar Connecting Stud Clamping Screw for 29594.....	02
208E	3507	Feed Dog Screw.....	02
208E	3507	Thread Take-up Thread Retainer Cam Screw for 29624.....	02
219	3526	Arm Side Cap Screw.....	02
240D	3526	Bed Slide Spring Screw for 29510.....	02
284D	3527	Guide Thumb Screw for 25874.....	10
307c	3526	Feed Lifting Rock Shaft Screw Centre....	06
307c	3526	" Rock Shaft Screw Centre.....	06
313c	3526	" Bar Screw Centre.....	04
315c	2642	Under Driver Driving Pulley Set Screw for 27756.....	04
333D	3526	Driving Attachment Bobbin Winder Friction Wheel Washer Screw for 29650.....	04
348c	2642	Under Driver Dress Guard Screw for 27770.	06
354c	1101	Treadle Pitman Rod Clamp Screw for 9079.	06
356c	3527	Knee Lifter Rock Shaft Knee Arm Hub Set Screw for 2766.....	06
356c	3527	Knee Lifter Rock Shaft Knee Plate Set Screw for 2767.....	06
356c	3527	Knee Lifter Rock Shaft Lifting Bracket Hook Set Screw for 6337.....	06
356c	3527	Knee Lifter Rock Shaft Lifting Bracket Set Screw for 6337.....	06
356c	3527	Knee Lifter Rock Shaft Stop Dog Set Screw for 2770.....	06
356c	3527	Under Driver Belt Guard Screw for 27644.	06
356c	3527	" " Driving Pulley Hollow Stud Set Screw for 27644.....	06
362	2642	Treadle Stop Collar Set Screw for 2762	05
375c	3503	Feed Connecting Link Hinge Screw.....	12
375c	3503	" Forked Connection Hinge Screw....	12
375c	3503	" Lifting Rock Shaft Crank Connecting Rod Hinge Screw.....	12
397D	3526	Bobbin Winder Friction Wheel Washer Screw for 27832.....	04
418D	3527	Bobbin Winder Tension Screw Stud for 27808	08
427E	1101	Driving Attachment Driving Arm Friction Plug Adjusting Screw for 29654.	08
427E	1101	Under Driver Lever Centre Plug Adjusting Screw for 27644.....	08
435c	3506	Arm Shaft Bushing (front) Set Screw.....	04
435c	3506	" " " (intermediate) Set Screw	04
435c	3506	Rotating Hook Thread Releaser Hinge Stud Set Screw	04
448c	3526	Balance Wheel Set Screw for 24083 and 29649	03
448c	3526	Feed and Feed Lifting Eccentric Set Screw for 29630.....	03
448c	3526	Knee Lifter Lifting Lever Pin Set Screw for 16510.....	03

Numerical List of Parts.

No.	Plate	Name	Each
448c	3526	Thread Take-up Spring Regulator Set Screw	03
453c	3505	Presser Bar Guide Bracket Set Screw for 29596.....	02
460c	3504	Face Plate Thread Eyelet (lower) Set Screw for 29624.....	02
460c	3504	Thread Eyelet (side of arm) Set Screw.....	02
578	3506	Rotating Hook Bobbin Case Position Bracket Plate Screw for 29620.....	02
591	3506	Rotating Hook Bobbin Case Latch Spring Screw for 29664.....	02
597c	2642	Shaft Driving Pulley Clamping Screw for 27070 and 27072.....	08
600	3505	Tension Screw Stud.....	10
621D	3506	Rotating Hook Screw.....	02
688E	3527	Pressure Regulating Thumb Screw.....	25
689c	3505	Presser Bar Lifter Screw.....	10
691	3526	Throat Plate Screw.....	04
692D	3527	Driving Attachment Bracket Screw for 29655.....	10
693D	3526	Driving Attachment Driving Arm Hinge Screw for 29654.....	40
732D	3527	Guide Thumb Screw for 25866.....	10
748E	3526	Arm Screw (back).....	08
766D	3526	Knee Lifter Lifting Lever Link Hinge Screw for 16512.....	05
794E	3504	Needle Bar Connecting Link Adjusting Screw for 29528.....	05
802D	3526	Knee Lifter Lifting Lever Hinge Screw for 16512.....	10
803c	3526	Driving Attachment Driving Arm Pitman Crank Adjusting Screw for 16520.....	10
818D	3503	Feed Regulator Thumb Screw.....	10
838c	3504	Needle Bar Crank Set Screw for 29595.....	03
860c	3505	Presser Bar Plug Screw.....	03
868E	3527	Arm Screw (front).....	10
878D	2641	Under Driver Cone Pulley Oil Hole Stop Screw for 27750.....	06
879D	2026	Corder Arm Locking Screw for 25792.....	08
936D	3504	Needle Bar Hole Bushing.....	06
955c	1101	Under Driver Driving Pulley Screw Centre Bearing for 27630.....	08
970D	3527	Bed Frame Thumb Screw for 24108.....	20
1037c	3504	Face Plate Thread Guard Set Screw for 29624.....	04
1037c	3504	Needle Bar Connecting Link Hinge Stud Set Screw for 29595.....	04
1057E	3526	Crank Connecting Rod Cap (upper) Screw.....	04
1065c	3504	Needle Bar Crank Position Screw for 29595.....	10
1092E	2642	Under Driver Lever Hinge Screw for 27770.....	20
1093c	2642	“ “ “ Adjusting Screw for 27770.....	10

Numerical List of Parts.

No.	Plate	Name	Each
1120c	3507	Thread Take-up Shaft Crank Set Screw for 29598.....	03
1122c	2641	Under Driver Driving Pulley Shaft Screw Bearing Ball Case (left) Set Screw for 27766.....	03
1122c	2641	Under Driver Driving Pulley Shaft Screw Bearing Ball Case (right) Set Screw for 27766.....	03
1128E	3503	Feed Regulator Hinge Screw.....	12
1133E	3504	Needle Bar Bushing Set Screw.....	02
1143c	2641	Under Driver Cone Pulley Ball Bearing Adjusting Ring Set Screw for 27770.....	03
1145	3507	Thread Take-up Thread Retainer Spring Screw for 29672.....	03
1160	3507	Thread Take-up Thread Retainer Hinge Screw for 29672.....	04
1163	3506	Rotating Hook Bobbin Case Tension Regulating Screw for 29664.....	05
1164	3507	Thread Take-up Body Position Screw for 29672.....	06
1507E	2642	Under Driver Lever Hinge Screw Nut for 27770.....	05
1508c	1101	Driving Attachment Driving Arm Friction Plug Adjusting Screw Nut for 29654.....	06
1508c	1101	Under Driver Lever Centre Plug Adjusting Screw Nut for 27644.....	06
1513c	2642	Feed Lifting Rock Shaft Screw Centre Nut.....	05
1513c	2642	“ Rock Shaft Screw Centre Nut.....	05
1513c	2642	Under Driver Lever Adjusting Screw Nut for 27770.....	05
1518E	3503	Feed Connecting Link Hinge Screw Nut.....	04
1518E	3503	“ Forked Connection Hinge Screw Nut.....	04
1518E	3503	“ Lifting Rock Shaft Crank Connecting Rod Hinge Screw Nut.....	04
1519E	3526	Feed Bar Screw Centre Nut.....	03
1520E	3505	Presser Bar Lifter Screw Nut.....	03
1520E	3505	Driving Attachment Driving Arm Pitman Crank Adjusting Screw Nut for 16520.....	03
1521E	3503	Feed Lifting Rock Shaft Slide Block Screw Stud Nut for 29632.....	03
1521E	3503	Knee Lifter Lifting Lever Connecting Rod Lock Nut for 16512.....	03
1550	3525	Driving Attachment Bobbin Winder Stop Latch Adjusting Screw Nut for 19258.....	03
1560c	3505	Tension Regulating Thumb Nut.....	04
1562D	3526	Bobbin Winder Tension Regulating Thumb Nut for 27308.....	04
1579c	3527	Driving Attachment Driving Arm Hinge Screw Nut for 29654.....	08
2018	1101	Under Driver Belt Guard Screw Washer for 27644.....	01

Numerical List of Parts.

No.	Plate	Name	Each
2022	3525	Driving Attachment Driving Arm Pitman Crank Pin for 16527.....	# 01
2022	3525	Driving Attachment Starting Crank Pin for 16527.....	01
2049	3506	Rotating Hook Thread Releaser Spring Pin	01
2062	3505	Presser Bar Lifter.....	20
2070	3504	Needle Bar Hole Bushing Washer.....	01
2080	3506	Rotating Hook Bobbin Case Thread Guard Rivet for 29664.....	01
2106	3525	Bobbin Winder Tension Thread Guide for 27308.....	01
2269	3506	Rotating Hook Carrier Pin.....	01
2455	3525	Bobbin Winder Tension Disc for 27308.....	02
2653	3507	Thread Take-up Shaft Bushing Position Pin for 29622.....	01
2718	2642	Under Driver Dress Guard Screw Washer for 27770.....	01
2762	2642	Treadle Stop Collar with 362, for 14233, 15130 and 27640.....	10
2763	3538	Knee Lifter Rock Shaft for 2777.....	10
2765	3538	" " " " Knee Arm for 2768..	10
2766	3538	" " " " " " Hub with 356c, for 2768.....	15
2767	3538	Knee Lifter Rock Shaft Knee Plate with 356c, for 2768.....	18
2768	---	Knee Lifter Rock Shaft Knee Arm complete for 2777, Nos. 2765 to 2767.....	40
2770	3538	Knee Lifter Rock Shaft Stop Dog with 356c, for 2777.....	12
2777	3538	Knee Lifter Rock Shaft complete for 16512, Nos. 2763, 2768, 2770, 2778, 6337 and two 12242.....	1 00
2778	3538	Knee Lifter Rock Shaft Lifting Bracket Hook for 2777.....	05
2877	3537	Driving Attachment Treadle Pitman Rod (upper) for 15130.....	05
2878	363	Treadle Stand for 27642.....	15
2921	3505	Tension Disc.....	05
2928	3525	Driving Attachment Driving Arm Brake (leather) for 29653.....	05
3033	3503	Feed Connecting Link.....	20
3039	3503	" Regulator.....	25
4307	3502	Bed Slide Spring for 29510.....	05
4430	3523	Arm Top Cover Friction Washer.....	01
4621	3506	Rotating Hook Bobbin Case Position Bracket Plate Steady Pin for 29659.....	per 100.. 25
4822	2045	Wrench for 1521 and 1528 (Attachments and Accessories).....	05
5596	3524	Knee Lifter Bell Crank for 5598.....	05
5598	3524	Knee Lifter Bell Crank complete for 16512, Nos. 5596, 5599, 5601 and 5735.....	20

Numerical List of Parts.

No.	Plate	Name	Each
5599	3524	Knee Lifter Bell Crank Bracket for 5598...#	08
5601	3523	" " " " Hinge Pin for 5598..	01
5735	3523	" " " " Spring for 5598....	02
5960	2812	Bobbin Winder Friction Wheel (leather) for 27832 and 29650.....	10
5961	3525	Driving Attachment Bobbin Winder Friction Wheel Washer for 29650.....	05
5963	2812	Bobbin Winder Spindle Flange for 27832..	06
6267	3534	Hemmer Folder.....	02
6337	3538	Knee Lifter Rock Shaft Lifting Bracket with two 356c, for 2777.....	20
7071	3528	Binder Folder Screw Washer for 26959....	01
7071	3528	" Ribbon Tension Screw Washer for 26959.....	01
7958	2642	Driving Attachment Balance Wheel Friction Ring Stop Pin for 29649.....	01
7958	2642	Driving Attachment Bobbin Winder Stop Latch Stop Pin for 29653.....	01
7958	2642	Under Driver Driving Pulley Friction Ring Stop Pin for 27630 and 27756.....	01
7958	2642	Under Driver Driving Pulley Screw Centre Bearing Dowel Pin for 27630.....	01
8582	3523	Arm Dowel Pin.....	02
8908	2045	Wrench for 1520 (Attachments and Accessories).....	08
8909	2045	Wrench for 1513 and 1518 (Attachments and Accessories).....	10
9079	362	Treadle Pitman Rod Clamp with 354c, for 14233, 15130 and 27640.....	12
9082	1101	Treadle Bearing Cotter Pin for 27642.....	01
9261	3523	Bed Frame Hinge Connection Pin for 24108	02
10141	3525	Bobbin Winder Tension Spring for 27308..	01
10236	3525	Driving Attachment Driving Friction Pulley Centre Bearing for 16594.....	09
11167	3502	Presser Bar Spring.....	05
11170	3505	" " " Washer.....	01
11241	2812	Bobbin Winder Spool Washer (cloth) for 27308.....per 100..	25
12170	3525	Driving Attachment Bobbin Winder Spring for 29654.....	03
12178	1101	Under Driver Lever Centre Plug (wood) for 27644.....	01
12189	3524	Driving Attachment Starting Crank for 16527.....	15
12240	3523	Knee Lifter Lifting Lever Pin for 16512...	05
12241	3523	" " " " Link for 16512..	10
12242	3538	" " Rock Shaft Hanger with two wood screws 1 in. No. 10, for 2777.....	08
12327	3505	Presser Bar Lifting and Releasing Lever Bracket.....	50
12329	3505	Tension Releasing Lever Spring.....	02

Numerical List of Parts.

No.	Plate	Name	Each
12361	3523	Machine Hinge Connection for 12363.....	15
12362	3523	" " Plate for 12363.....	15
12363	—	Machine Hinge complete, Nos. 12361, 12362 and two wood screws 1½ in. No. 14 (Attachments and Accessories).....	30
12391	3502	Presser Bar (hollow).....	80
12398	3505	Tension Releasing Lever Hinge Pin.....	01
12405	3523	Machine Rest, felt (Attachments and Accessories).....	02
12415	3524	Knee Lifter Lifting Lever Connecting Rod for 16512.....	08
12416	3523	Knee Lifter Lifting Lever Connecting Rod Joint for 16512.....	08
12453	—	Arm Oil Tube for 29600.....	06
12459	2641	Under Driver Cone Pulley Oil Hole Stop Screw Washer (leather) for 27750. per 100.	50
12480	3501	Arm Side Cap.....	05
14081	3537	Driving Attachment Treadle Pitman Rod (upper) for 14233.....	10
14233	—	Driving Attachment Treadle Pitman complete, for bench stand, for 14234, Nos. 2762, 9079, 14081, 27637 and 27638.....	40
14234	—	Driving Attachment Treadle and Pitman complete for 29655, Nos. 14233 and 27642.	85
15072	3525	Bobbin Winder Bobbin Position Pin for 27831 and 29651..... per 100	10
15130	—	Driving Attachment Treadle Pitman complete for 15131, Nos. 2762, 2877, 9079, 27637 and 27638.....	35
15131	—	Driving Attachment Treadle and Pitman complete for 29655, Nos. 15130 and 27642.	80
16506	3501	Feed Rock Shaft for 24376.....	35
16510	3524	Knee Lifter Lifting Lever with 448c, for 16512.....	20
16512	—	Knee Lifter complete, Nos. 76b, 766b, 802b, 1521e, 2777, 5598, 12240, 12241, 12415, 12416, 16510 and two 178c.....	1 95
16514	3524	Driving Attachment Bobbin Winder Frame for 29650.....	15
16519	3524	Driving Attachment Driving Arm Pitman for 29655.....	10
16520	3524	Driving Attachment Driving Arm Pitman Crank with 803c and 1520e, for 16527....	25
16521	3524	Driving Attachment Driving Arm Pitman Crank Spring for 16527.....	10
16524	—	Driving Attachment Balance Wheel Friction Ring (leather) for 29649.....	05
16525	3524	Driving Attachment Starting Crank Shaft for 16527.....	10
16526	3537	Driving Attachment Starting Crank Shaft Bracket for 16527.....	35

Numerical List of Parts.

No.	Plate	Name	Each
16527	—	Driving Attachment Starting Crank Shaft Bracket complete for 29655, Nos. 12189, 16520, 16521, 16525, 16526 and two 2022. \$1 00	1 00
16528	3539	Driving Attachment Drip Pan with four 1 in. wire nails for 29655.....	25
16530	3537	Driving Attachment Bracket for 29654....	30
16594	3537	" " Driving Friction Pulley, 2½ in. diam., with 10236, for 29655	75
18172	3505	Thread Eyelet (top of arm).....	10
19221	2045	Wrench for 936 (Attachments and Accessories).....	15
19258	3525	Driving Attachment Bobbin Winder Stop Latch with 152 and 1550, for 29654.....	35
20185	3505	Tension Releaser.....	15
22003	2045	Wrench for 1550 (Attachments and Accessories).....	05
24037	3501	Feed Forked Connection.....	75
24079	3539	Drip Pan with four 1 in. wire nails.....	25
24083	3500	Balance Wheel, light rim, 2½ in. pulley, with two 448c.....	80
24106	3523	Bed Frame Cushion (felt) for 24108.....	02
24107	3523	" " Hinge Connection for 24108....	15
24108	3538	Bed Frame complete, Nos. 970b, two each 9261, 24107, four each 180c, 24106 and six wood screws 1¼ in. No. 10.....	1 75
24376	—	Feed Rock Shaft 16506 with 29633.....	60
25152	3523	Arm Shaft Bushing (front) Packing (felt).	01
25152	3523	" " " (intermediate) Packing (felt).....	01
25152	3523	Arm Shaft Flanged Bushing (back) Packing (felt).....	01
25303	2641	Under Driver Cone Pulley Ball, size ¼ in., for 27770.....	03
25303	2641	Under Driver Driving Pulley Shaft Ball, size ¼ in., for 27765.....	03
25303	2641	Under Driver Driving Pulley Shaft Screw Bearing Ball Case (left) Friction Stud Ball, size ¼ in., for 27760.....	03
25733	3528	Binder Folder for 26959.....	1 75
25734	3528	Binder Ribbon Tension complete for 26959, Nos. 26617, 26618 and seven 26486.....	75
25788	2026	Corder Arm with 25789 for 25792.....	75
25789	2026	" " Tip for 25788.....	25
25790	2026	" " Hinge Pin for 25792.....	01
25791	2026	" " Bracket for 25792.....	30
25792	2026	Corder Arm and Bracket complete for 26995, Nos. 190b, 879b, 25788, 25790 and 25791... 1 15	1 15
25866	2045	Guide for flush throat plates.....	15
25874	2045	" " raised " ".....	15
25888	3534	Hemmer Tongue.....	01
26026	2045	Screw Driver, machine (Attachments and Accessories).....	10

Numerical List of Parts.

No.	Plate	Name	Each
26167	3529	Corder Presser Foot for 26995.....	\$ 75
26400	3528	Binder Presser Foot for 26959.....	75
26460	2045	Oiler with Cap and 26462, for 26461.....	05
26461	—	" 26460 filled with oil (Attachments and Accessories).....	08
26462	2045	Oiler Spout, 2 in. long, for 26460.....	01
26485	2045	Screw Driver, shuttle tension (Attachments and Accessories).....	05
26486	3528	Binder Ribbon Tension Pin (straight) for 25734.....	05
26617	3528	Binder Ribbon Tension Pin (bent) for 25734.....	05
26618	3528	" " " Plate for 25734.....	35
26652	—	Hemmer, $\frac{3}{32}$ in. hem, for 26655.....	80
26653	3533	" Shank for 26655, 26660, 26662, 26664, 26666 and 26935.....	25
26654	3533	Hemmer Rivet for 26655, 26660, 26662, 26664, 26666 and 26935.....	01
26655	2031	Hemmer complete, Nos. 26652 to 26654.....	1 00
26659	—	" for 26660.....	80
26660	2031	Hemmer complete, for umbrella work, Nos. 26653, 26654 and 26659.....	1 00
26661	—	Hemmer (wide) for 26662.....	80
26662	2031	Hemmer complete, Nos. 26653, 26654 and 26661.....	1 00
26663	—	Hemmer for 26664.....	1 00
26664	3533	Hemmer complete, for raw edge silk, Nos. 26653, 26654 and 26663.....	1 25
26665	—	Hemmer, $\frac{1}{4}$ in. hem, for 26666.....	80
26666	3533	Hemmer complete, Nos. 26653, 26654 and 26665.....	1 00
26934	—	Hemmer (narrow) for 26935.....	1 00
26935	3534	Hemmer complete, Nos. 26653, 26654 and 26934.....	1 25
26957	3528	Binder Feed Dog for 26959.....	50
26958	3528	" Throat Plate for 26959.....	60
26959	—	Binder (English) complete, Nos. 207, 25733, 25734, 26400, 26957, 26958, two 190b and three 7071.....	4 45
26993	3529	Corder Feed Dog for 26995.....	50
26994	3529	" Throat Plate for 26995.....	75
26995	—	Corder complete, for top and bottom cord- ing, Nos. 25792, 26167, 26993, 26994 and two 135b.....	3 25
27070	363	Under Driver Shaft Driving Pulley, 10 in. diam., grooved, $1\frac{3}{4}$ in. bore, sectional, with two 597c, for 27645 and 27771.....	45
27072	3537	Driving Attachment Shaft Driving Pulley, 12 in. diam., grooved, $1\frac{3}{4}$ in. bore, sectional, with two 597c, for 29655.....	55
27302	2812	Bobbin Winder Frame for 27832.....	15
27303	3525	" " " Spring for 27832.....	03

Numerical List of Parts.

No.	Plate	Name	Each
27303	3525	Driving Attachment Bobbin Winder Stop Latch Spring for 29654.....	\$ 03
27306	2812	Bobbin Winder Spool Pin for 27308.....	05
27307	2812	" " " Stand for 27308.....	10
27308	2812	Bobbin Winder Spool Stand complete for 27833 and 29655, Nos. 418b, 1562b, 2106, 10141, 11241, 27306, 27307, wood screw 1 in. No. 10 and two 2455.....	35
27473	1101	Under Driver Cone Pulley Centre Bearing for 27509.....	08
27474	363	Under Driver Dress Guard (right hand) for 27644.....	08
27476	—	Under Driver Driving Pulley Friction Ring (leather) for 27630 and 27756.....	05
27483	1101	Under Driver Lever Brake Spring for 27644.....	02
27485	1101	" " " Hinge Pin for 27644.....	01
27497	1101	" " " Brake Strip (leather) for 27644.....	02
27508	362	Under Driver Belt Guard for 27644.....	08
27509	362	" " Cone Pulley, three speed, $2\frac{1}{2}$ in., $3\frac{3}{4}$ in. and $5\frac{1}{4}$ in., with 27473, for 27644.....	60
27529	362	Under Driver Lever for 27644.....	25
27600	1101	" " Driving Pulley Hollow Stud Position Stud for 27631.....	02
27630	362	Under Driver Driving Pulley, 6 in. diam., with 955c, 27476 and two 7958, for 27644.....	60
27631	1101	Under Driver Driving Pulley Hollow Stud with 27600, for 27644.....	15
27632	—	Under Driver Driving Pulley Hollow Stud Wick for 27633.....	01
27633	—	Under Driver Driving Pulley Hollow Stud Wick Wire with 27632, for 27644.....	05
27634	362	Under Driver Frame for 27644.....	60
27635	362	" " Oil Cup for 27644.....	25
27636	363	Treadle for 27642.....	30
27637	362	" Pitman Rod (lower) for 14233, 15130 and 27640.....	05
27638	1101	Treadle Pitman Rod (lower) Spring for 14233, 15130 and 27640.....	03
27639	2640	Under Driver Treadle Pitman Rod (upper) for 27640.....	05
27640	2640	Under Driver Treadle Pitman complete for 27643, Nos. 2762, 9079 and 27637 to 27639.....	35
27642	—	Treadle complete for 14234, 15131 and 27643, Nos. 2878, 9082, 27636 and four wood screws 1 in. No. 16.....	45
27643	—	Under Driver Treadle and Pitman complete for 27645 and 27771, Nos. 27640 and 27642.....	80

Numerical List of Parts.

No.	Plate	Name	Each
27644	—	Under Driver Transmitter complete for 27645, Nos. 138E, 427E, 1508C, 2018, 12178, 27474, 27483, 27485, 27497, 27508, 27509, 27529, 27630, 27631, 27633 to 27635, two each 145E and 356E and four wood screws 1½ in. No. 16.....	\$3 00
27645	—	Under Driver, lever pressure, three speed, complete, Nos. 27070, 27643 and 27644....	4 00
27699	2812	Bobbin Winder Stop Latch for 27832.....	10
		Nos. 27750 to 27757 for 27770.	
27750	2640	Under Driver Cone Pulley, two speed, 3¾ in. and 5¼ in. diam., with 878D and 12459....	60
27751	2641	Under Driver Driving Pulley Shaft Ball Bearing Collar.....	25
27752	2641	Under Driver Driving Pulley Shaft Ball Bearing Collar Pin.....	04
27753	2641	Under Driver Cone Pulley Ball Bearing Adjusting Ring.....	15
27754	2641	Under Driver Driving Pulley Shaft Screw Bearing Ball Case (left) Friction Stud Extension Pin.....	02
27755	2640	Under Driver Dress Guard.....	10
27756	2640	“ “ Driving Pulley, 6 in. diam., with 315E, 7958 and 27476.....	60
27757	2641	Under Driver Driving Pulley Shaft.....	60
27758	2641	“ “ “ “ “ Ball Safety Washer for 27760 and 27765.....	01
27759	2641	Under Driver Driving Pulley Shaft Screw Bearing Ball Case (left) for 27760.....	20
27760	—	Under Driver Driving Pulley Shaft Screw Bearing Ball Case (left) complete for 27770, Nos. 27758, 27759, 27761 to 27763 and twelve 25303.....	50
27761	2641	Under Driver Driving Pulley Shaft Screw Bearing Ball Case (left) Friction Stud for 27760.....	10
27762	2641	Under Driver Driving Pulley Shaft Screw Bearing Ball Case (left) Friction Stud Ball Plate for 27760.....	05
27763	2641	Under Driver Driving Pulley Shaft Screw Bearing Ball Case (left) Friction Stud Ball Plate Washer for 27760.....	01
27764	2641	Under Driver Driving Pulley Shaft Screw Bearing Ball Case (right) for 27765.....	20
27765	—	Under Driver Driving Pulley Shaft Screw Bearing Ball Case (right) complete for 27770, Nos. 27758, 27764 and eight 25303..	30
27766	2640	Under Driver Frame with two 1122C, for 27770.....	75
27767	2640	Under Driver Lever with 27768 and two 27878, for 27770.....	35

Numerical List of Parts.

No.	Plate	Name	Each
27768	2642	Under Driver Lever Brake (leather) two pieces, for 27767.....	03
27769	2642	Under Driver Lever Spring for 27770.....	10
27770	—	Under Driver Transmitter complete for 27771, Nos. 348C, 1092E, 1093C, 1507E, 1513C, 2718, 27750 to 27752, 27754 to 27757, 27760, 27765 to 27767, 27769, two each 1143C, 27753, 27795, three wood screws 2 in. No. 16 and twenty-two 25303.....	8 00
27771	—	Under Driver (ball bearing) lever pressure, two speed, right hand, complete, Nos. 27070, 27643 and 27770.....	4 00
27795	2641	Under Driver Cone Pulley Ball Bearing Adjusting Ring Set Screw Washer for 27770.....	—
		Nos. 27825 to 27831 for 27832.	
27825	2812	Bobbin Winder Base.....	20
27826	2812	“ “ Friction Wheel Washer....	05
27827	2812	“ “ Pulley.....	20
27828	2812	“ “ “ Frame.....	15
27829	3525	“ “ “ Spring.....	03
27830	2812	“ “ “ Stud.....	10
27831	2812	“ “ Spindle with 15072.....	20
27832	2812	Bobbin Winder for 27833, Nos. 35D, 397D, 5960, 5963, 27302, 27303, 27699, 27825 to 27831 and two each 32D and wood screws 1 in. No. 7.....	1 65
27833	—	Bobbin Winder (swinging automatic, right hand) complete, Nos. 27308 and 27832....	2 00
27878	2642	Under Driver Lever Brake Rivet for 27767....	01
28363	3535	Feller (foot).....	35
28547	3534	Hemmer (foot) ¼ in. hem, for 29576.....	65
28548	—	“ “ ⅜ “ “ “ “ “.....	70
28608	—	“ “ ½ “ “ “ “ “.....	75
28609	3535	“ “ ⅞ “ “ “ “ “ for lace work.....	65
28610	—	Hemmer (foot) ¾ in. hem, for 29576.....	65
28649	3531	“ on Shank.....	1 50
28650	3531	“ “ “ for hemming heavy Canton flannel.....	1 00
28651	2605	Hemmer on Shank, for turning tops and bottoms of canvas leggings.....	2 00
28652	2605	Hemmer on Shank, for 1 ⅜ in. to 2 in. hem.....	1 25
28653	—	“ “ “ “ 2 ⅜ “ “ “ “ “.....	1 50
28710	3532	“ “ “ “ ⅜ “ hem.....	1 25
28711	3530	“ “ “ “ ⅞ “ “ for hemming towels.....	1 00
28719	2613	Hemmer on Shank, for ¼ in. hem to ½ in. hem.....	1 00
28720	2613	Hemmer on Shank, for ¾ in. hem to 1 in. hem.....	1 25

Numerical List of Parts.

No.	Plate	Name	Each
28721	---	Hemmer on Shank, for 1½ in. hem to 2 in. hem	\$1 50
28722	2613	Hemmer on Shank, for heavy woven goods	1 50
28723	3530	Hemmer on Shank with Guide for hemming and stitching on lace in one operation	1 75
28736	3532	Hemmer on Shank, for umbrella work	1 50
28737	3530	" " " " soft material, to turn the hem under	1 75
28738	3531	Hemmer on Shank, for 2 in. hem, to turn the hem under	2 50
28739	3536	Hemmer on Shank, for 3 in. hem, for sheets and pillow slips, to turn the hem under	4 50
28781	---	Hemmer (foot) ¾ in. hem, for 29576, for lace work	65
28797	3534	Feed Dog, for hemming	50
28798	3534	Presser Foot for 26655, 26664 and 28797	75
28799	3534	Throat Plate, large needle hole, for 28797	50
28800	---	" " small " " " " "	50
28893	3532	Presser Foot (single toe) for gathering	60
28916	---	Feed Dog for 28917	50
28917	---	Throat Plate, large needle hole, for undercording, for 28916	1 25
28919	---	Presser Foot (strip folding)	3 50
*29501	---	Arm	4 25
29502	3500	" Shaft	2 50
29503	3500	" " Bushing (intermediate)	30
29504	3500	" " Flanged Bushing (back)	1 00
29505	---	" Top Cover for 29506	15
29506	3502	Arm Top Cover complete, Nos. 29505, 29507 and 29601	25
29507	3523	Arm Top Cover Spool Pin and Thread Eyelet for 29506	05
*29508	---	Bed	4 50
29509	---	" Slide for 29510	25
29510	3502	Bed Slide complete, Nos. 4307, 29509 and two 240b	30
29511	3501	Crank Connecting Rod	1 50
*29512	---	" " " Cap (lower)	---
*29513	---	" " " " (upper)	---
29522	3508	Feed Dog (feeding surface same as 26603)	50
29528	3504	Needle Bar Connecting Link with 794e	75
29529	3504	" " " " Hinge Stud	10
29532	3504	" " Oil Cup for 29593	03
29533	3504	" Clamp with 196 and 29560	80
29534	3521	Presser Foot for 29523	45
29539	3506	Rotating Hook Bobbin Case Latch for 29664	25
29540	3506	" " " " Spring for 29664	10
29543	3502	Rotating Hook Carrier Shaft	30
29544	3503	" " " " Bushing (back)	40

Numerical List of Parts.

No.	Plate	Name	Each
29545	3503	Rotating Hook Carrier Shaft Crank with two 191c	\$1 75
29546	3506	Rotating Hook Thread Releaser	1 75
29547	3506	" " " " Hinge Stud	15
29548	3506	" " " " Spring	05
29553	3507	Thread Take-up Shaft Crank Slide Block	40
29554	3505	" " Spring Regulator with 196	25
29556	3508	Throat Plate, large needle hole, for 29522	50
29557	---	" " small " " " "	50
29558	3500	Arm Shaft Bushing (front)	30
29559	3501	Feed Eccentric Sleeve	75
29560	3504	Needle Bar Gib for 29533	15
29561	3503	Rotating Hook Carrier Shaft Bushing (front)	40
29562	3508	Feed Dog (feeding surface same as 12369)	50
29563	3508	Throat Plate, large needle hole, for 29562	50
29564	---	" " small " " " " "	50
29565	3508	Feed Dog (feeding surface same as 12370)	50
29566	3508	Throat Plate, large needle hole, for 29565	50
29567	---	" " small " " " " "	50
29573	3509	Feed Dog, for shirt work (feeding surface similar to 12468)	50
29574	3509	Throat Plate, large needle hole, for 29573	50
29575	---	" " small " " " " "	50
29576	3509	Feed Dog, for shirt work (feeding surface same as 12371)	50
29577	3509	Throat Plate, large needle hole, for 29576	50
29578	---	" " small " " " " "	50
29579	3510	Feed Dog, 1/16 in. stitch (feeding surface same as 20115)	50
29580	3510	Feed Dog, 1/8 in. stitch (feeding surface same as 20116)	50
29581	3510	Throat Plate, small needle hole, for 29579 and 29580	50
29582	3509	Feed Dog, for general work (feeding surface same as 12450)	50
29583	3509	Throat Plate, large needle hole, for 29582	50
29584	---	" " small " " " " "	50
29593	3504	Needle Bar Bushing with 29532	80
29594	3504	" " Connecting Stud with 207	35
29595	3504	" " Crank with 858c, 1065c and two 1037c	80
29596	3505	Presser Bar Guide Bracket with 453c	35
29598	3507	Thread Take-up Shaft Crank (forked) with two 1120c, for 29624	75
29599	3507	Arm Oil Tube Packing (felt) for 29600	per 100 25
29600	3507	Arm Oil Tube 12453 with 29599 for oiling 29598	06
29601	3523	Arm Top Cover Spool Pin and Thread Eyelet Washer (steel) for 29506	03

Numerical List of Parts.

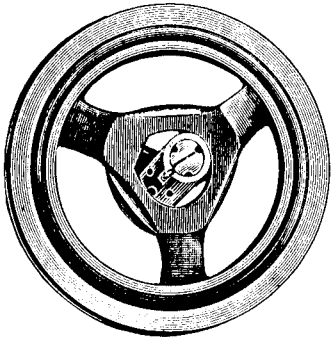
No.	Plate	Name	Each
29605	3507	Thread Take-up Thread Retainer Cam for 29624.....	\$ 30
29607	3510	Feed Dog, for tucking.....	50
29608	3510	Throat Plate, large needle hole, for 29607..	50
29609	—	“ “ small “ “ “ “ ..	50
29610	3521	Presser Foot for 29607.....	60
29611	3511	Feed Dog, for shirt work (feeding surface same as 12481).....	50
29612	3511	Throat Plate, large needle hole, for 29611..	50
29613	—	“ “ small “ “ “ “ ..	50
29614	3511	Feed Dog, four teeth at right of needle, square corner.....	50
29615	3511	Throat Plate, large needle hole, for 29614..	50
29616	—	“ “ small “ “ “ “ ..	50
29617	3511	Feed Dog, $\frac{1}{2}$ in. stitch (feeding surface same as 12460).....	50
29618	3511	Throat Plate, small needle hole, for 29617..	50
29619	3506	Rotating Hook Bobbin.....	08
29620	3506	“ “ “ Case Position Bracket with 578 and 29659.....	75
29622	3507	Thread Take-up Shaft Bushing with 2653 for 29623.....	40
29623	3500	Face Plate with 29622 for 29624.....	2 00
29624	—	Face Plate complete, Nos. 162D, 208E, 460c, 1037c, 29598, 29605, 29623, 29625, 29628, 29669, 29672 and two 29627.....	9 75
29625	3504	Face Plate Thread Eyelet (lower) for 29624	05
29627	3504	“ “ “ Guiding Pin for 29624..	02
29628	3502	“ “ “ Take-up Guard for 29624	75
29629	3501	Feed Bar.....	50
29630	3501	“ and Feed Lifting Eccentric with 448c	50
29631	3501	“ Lifting Rock Shaft for 29632.....	35
29632	—	Feed Lifting Rock Shaft complete, Nos. 26c, 1521E, 29631, 29633 and 29636.....	1 20
29633	3503	Feed Lifting Rock Shaft Crank with 157E for 29632.....	25
29633	3503	Feed Rock Shaft Crank with 157E, for 2437E	25
29634	3501	“ Lifting Rock Shaft Crank Connecting Rod.....	1 00
*29635	—	Feed Lifting Rock Shaft Crank Connecting Rod Cap.....	—
29636	3503	Feed Lifting Rock Shaft Slide Block for 29632.....	50
29638	3521	Presser Foot for 29576	45
29641	3505	Slack Thread Regulator	10
29642	3505	Thread Eyelet (side of arm).....	15
29649	3537	Driving Attachment Balance Wheel with 7958, 16524 and two 448c, for 29655.....	1 00
29650	3524	Driving Attachment Bobbin Winder Frame complete for 29654, Nos. 333D, 5960, 5961, 16514, 29651 and 29652.....	60

Numerical List of Parts.

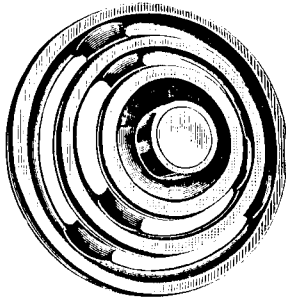
No.	Plate	Name	Each
29651	3525	Driving Attachment Bobbin Winder Spindle with 15072, for 29650.....	\$ 15
29652	3525	Driving Attachment Bobbin Winder Spindle Flange for 29650.....	06
29653	3537	Driving Attachment Driving Arm with 7958 and two each 2928 and 29673, for 29654.	60
29654	—	Driving Attachment Driving Arm complete for 29655, Nos. 32D, 75D, 180, 427E, 693D, 1508c, 1579c, 12170, 16530, 19258, 27303, 29650, 29653 and 29674	3 00
29655	—	Driving Attachment complete, Nos. 692D, 11234 or 15131, 16519, 16527, 16594, 27072, 27308, 29649, 29654, two 65D and three 130D	7 80
29656	3507	Thread Take-up Thread Retainer Spring for 29672.....	05
29657	3504	Needle Bar.....	60
29658	3521	Presser Foot for 29582.....	45
29659	3506	Rotating Hook Bobbin Case Position Bracket Plate with 4621, for 29620.....	15
29660	3521	Presser Foot with 228D, for 29579, 29580 and Strip Gauge.....	60
29661	3505	Tension Spring.....	05
29662	3505	Thread Take-up Spring.....	03
29663	3506	Rotating Hook.....	1 00
29664	3506	Rotating Hook Bobbin Case complete, Nos. 591, 1163, 2080, 29539, 29540 and 29665 to 29667	1 50
29665	3506	Rotating Hook Bobbin Case Tension Spring for 29664.....	20
29666	3506	Rotating Hook Bobbin Case Thread Guard for 29664.....	05
29667	3506	Rotating Hook Bobbin Retaining Spring for 29664.....	05
29668	3506	Rotating Hook Carrier.....	1 00
29669	3504	Face Plate Thread Guard for 29624.....	05
29670	3507	Thread Take-up Body for 29672.....	4 75
29671	3507	“ “ Shaft for 29672.....	40
29672	—	Thread Take-up complete for 29624, Nos. 1145, 1160, 1164, 29656, 29670, 29671 and 29675	5 50
29673	3525	Driving Attachment Driving Arm Brake Rivet for 29653.....	—
29674	3525	Driving Attachment Driving Arm Friction Plug (wood) for 29654.....	01
29675	3507	Thread Take-up Thread Retainer for 29672	20
29676	3505	Tension Releasing Lever.....	20
29677	3521	Presser Foot for 29573.....	45

PLATE 362—ONE-FOURTH SIZE

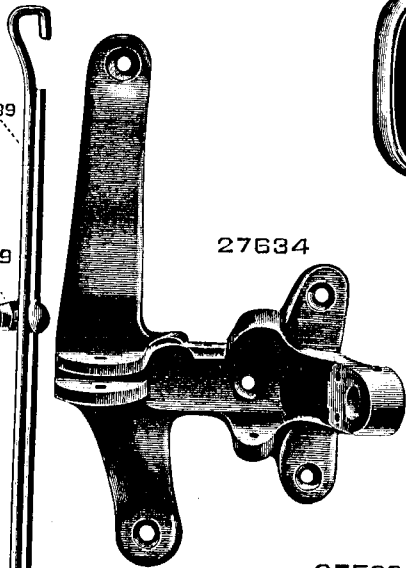
27630



27509

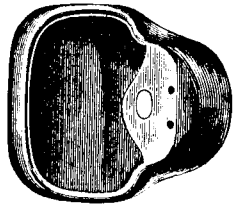


27640

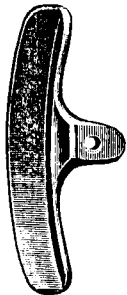


27634

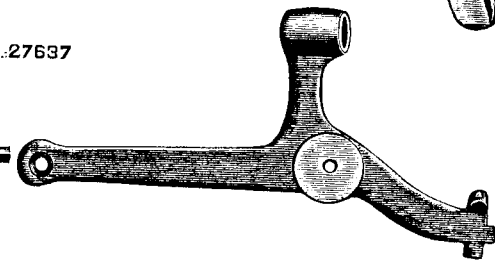
27635



27508



27529



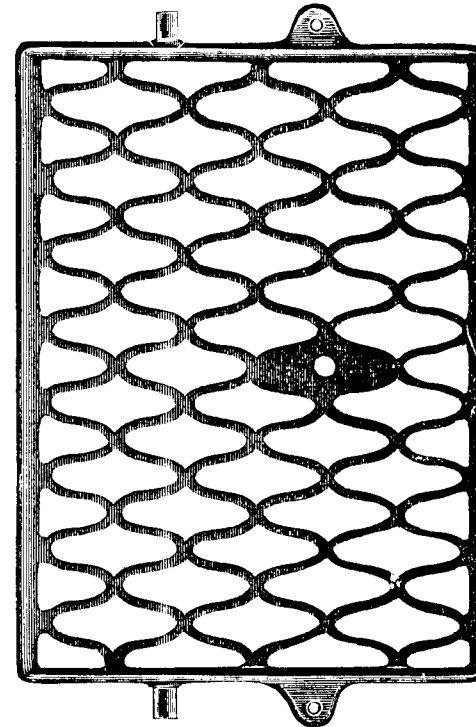
27637

27639

9079

PLATE 363—ONE-FOURTH SIZE

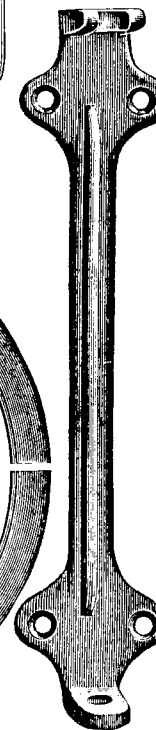
27636



27474



2878



27070

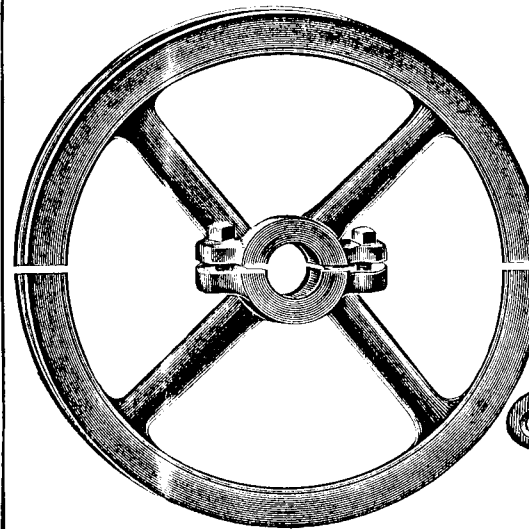


PLATE 1101—FULL SIZE

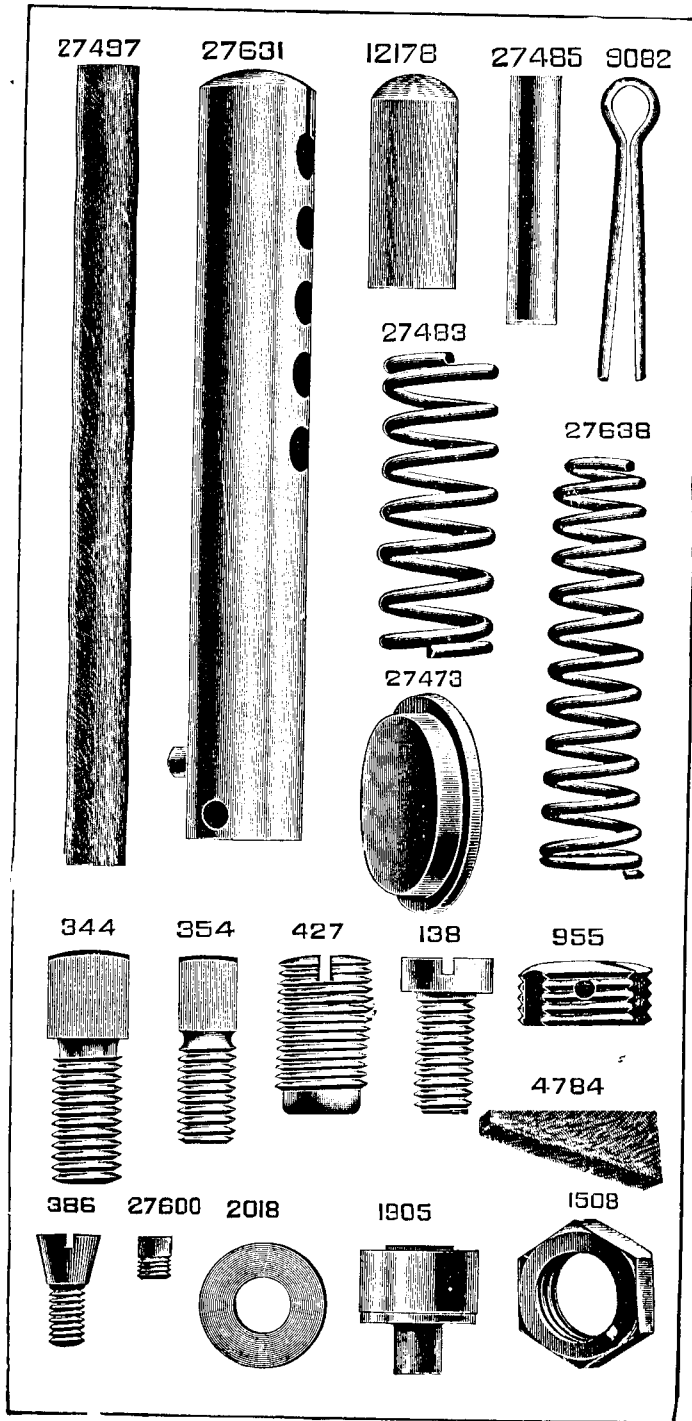


PLATE 2026—FULL SIZE

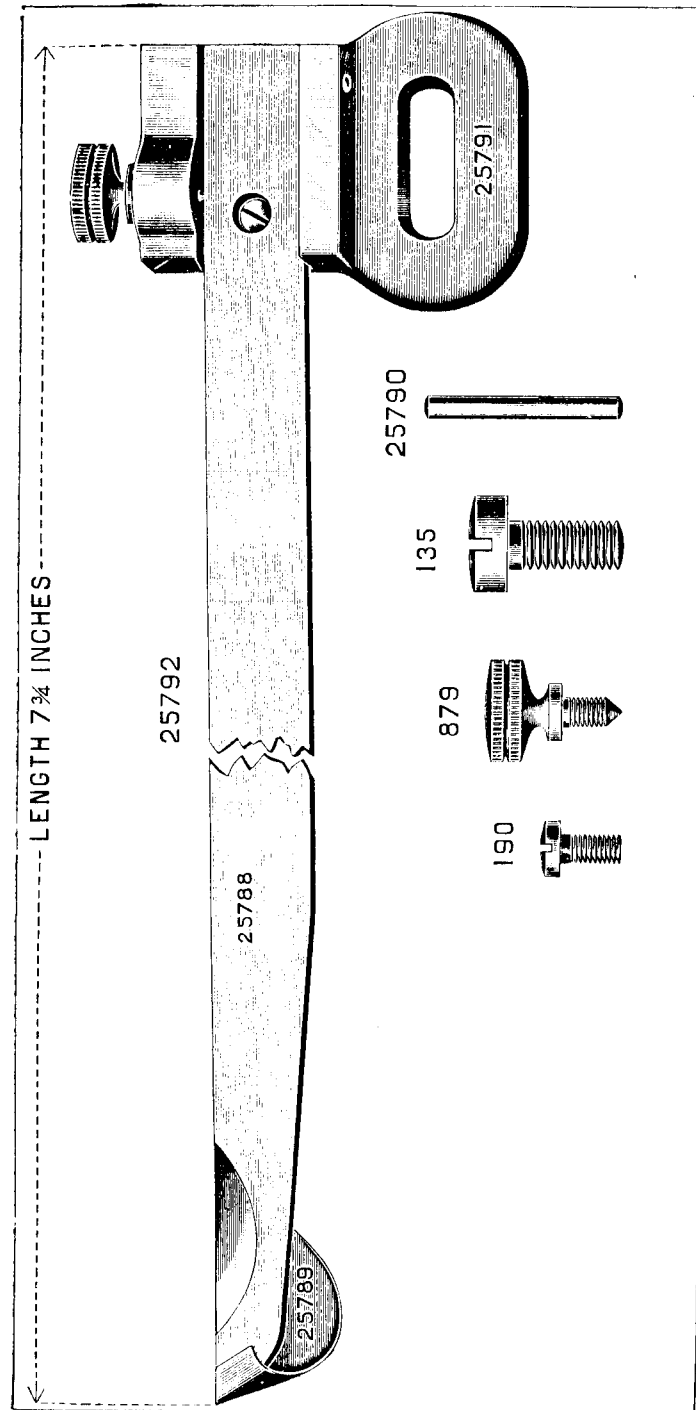
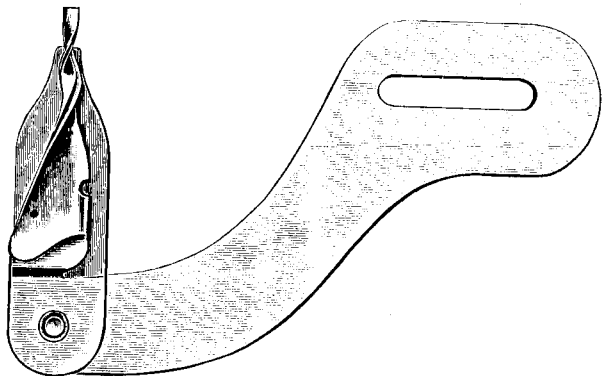
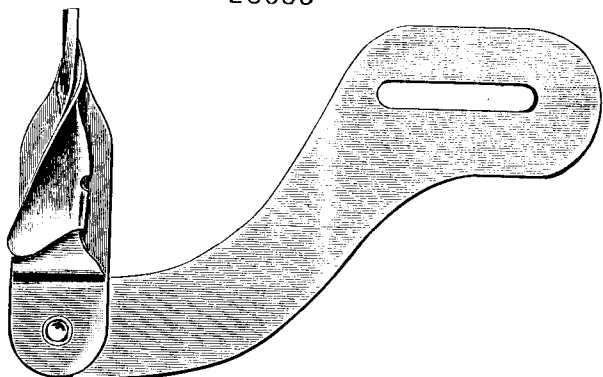


PLATE 2031—FULL SIZE

26655



26660



26662

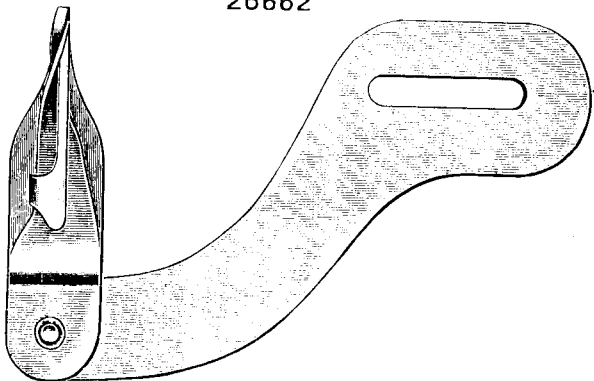
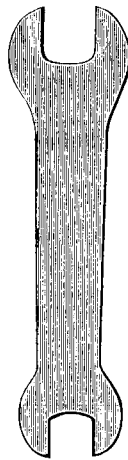
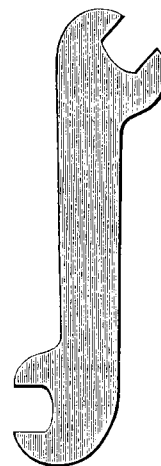


PLATE 2045—ONE-HALF SIZE

8909



19221



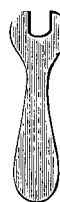
8908



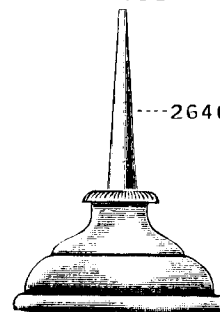
4822



22003



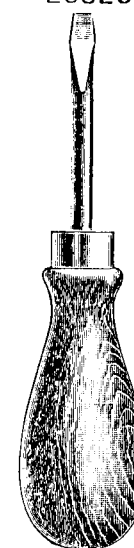
26460



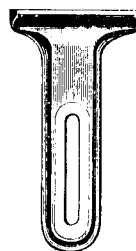
26485



26026



25874



25866

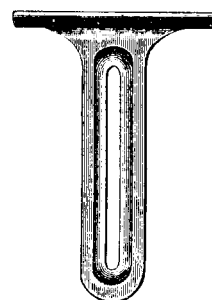
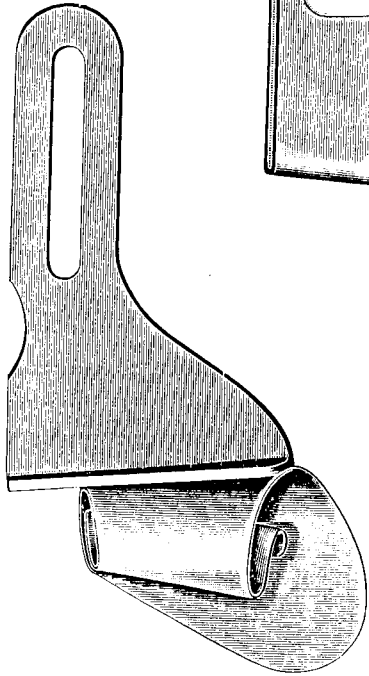
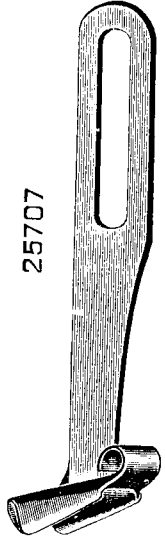


PLATE 2605—FULL SIZE

28651



25707



28652

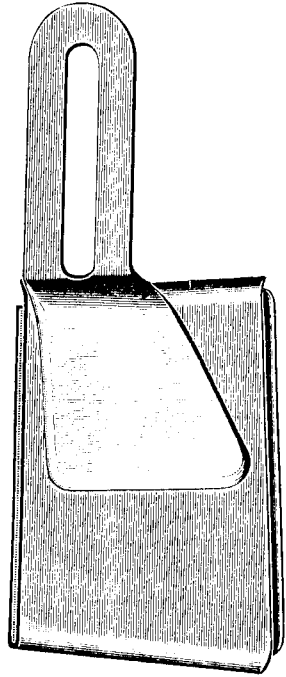
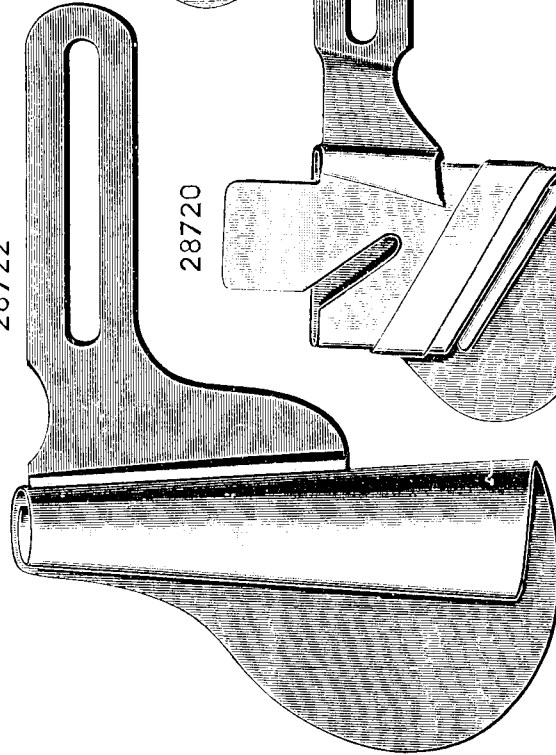
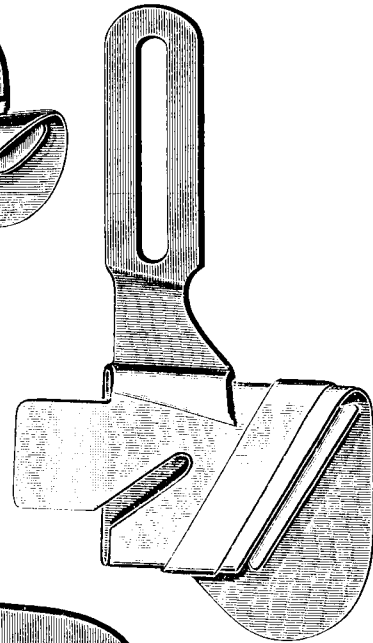


PLATE 2613—FULL SIZE

28722



28720



28719

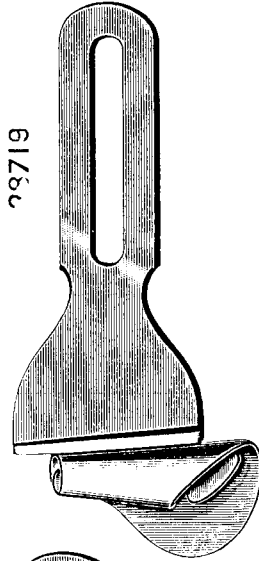


PLATE 2640—ONE-FOURTH SIZE

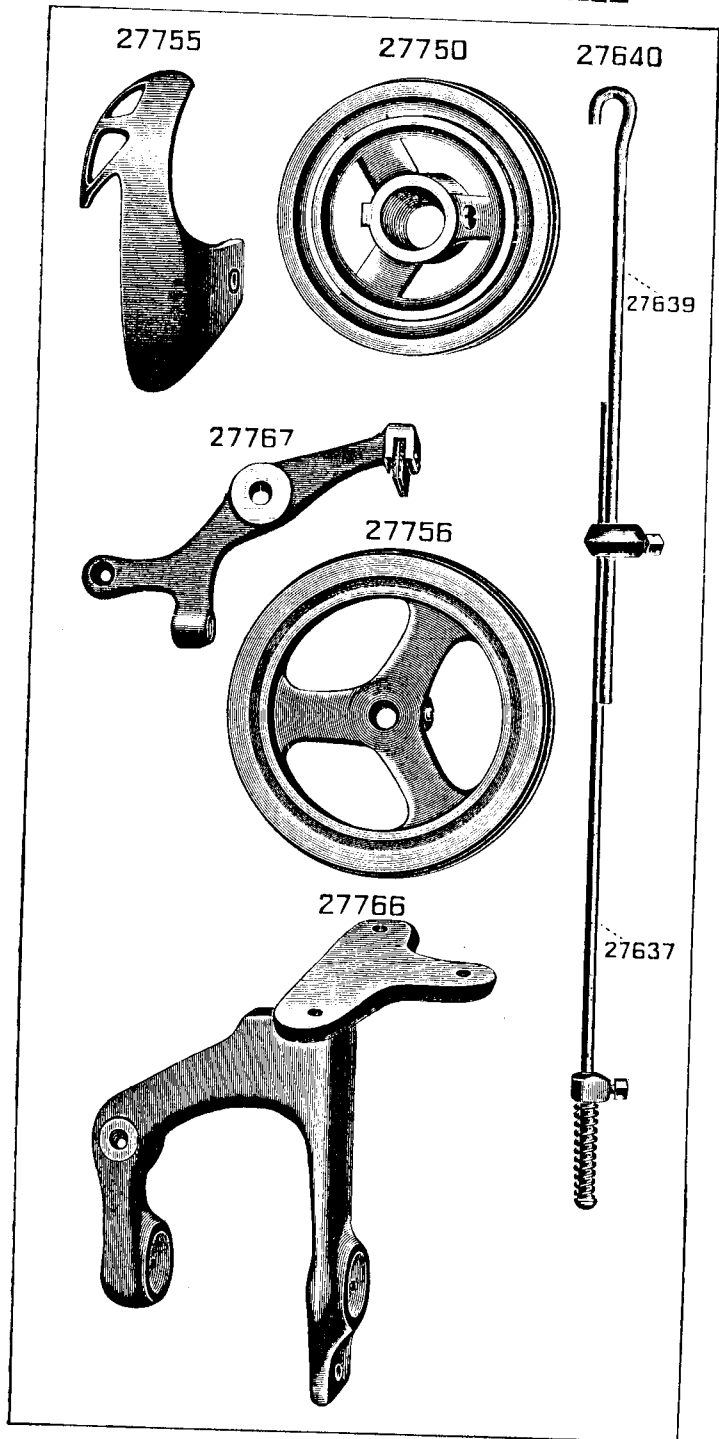


PLATE 2641—FULL SIZE

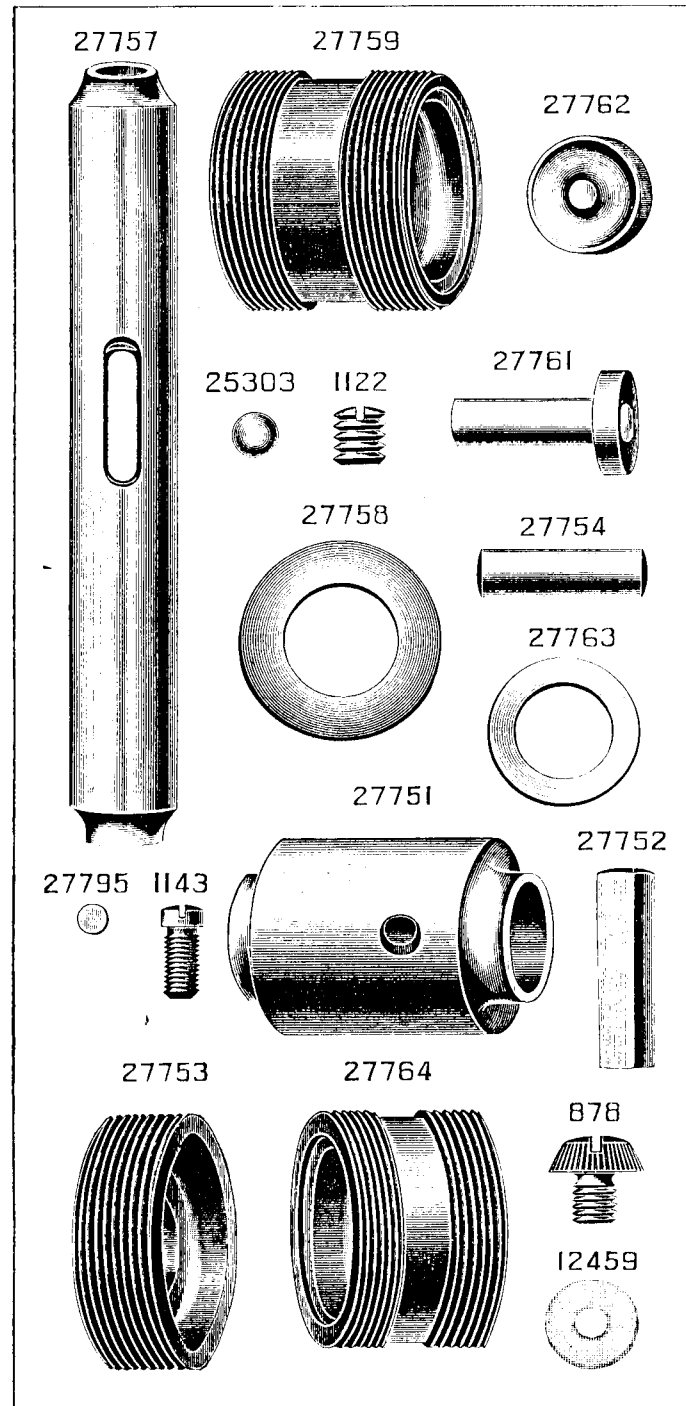


PLATE 2642—FULL SIZE

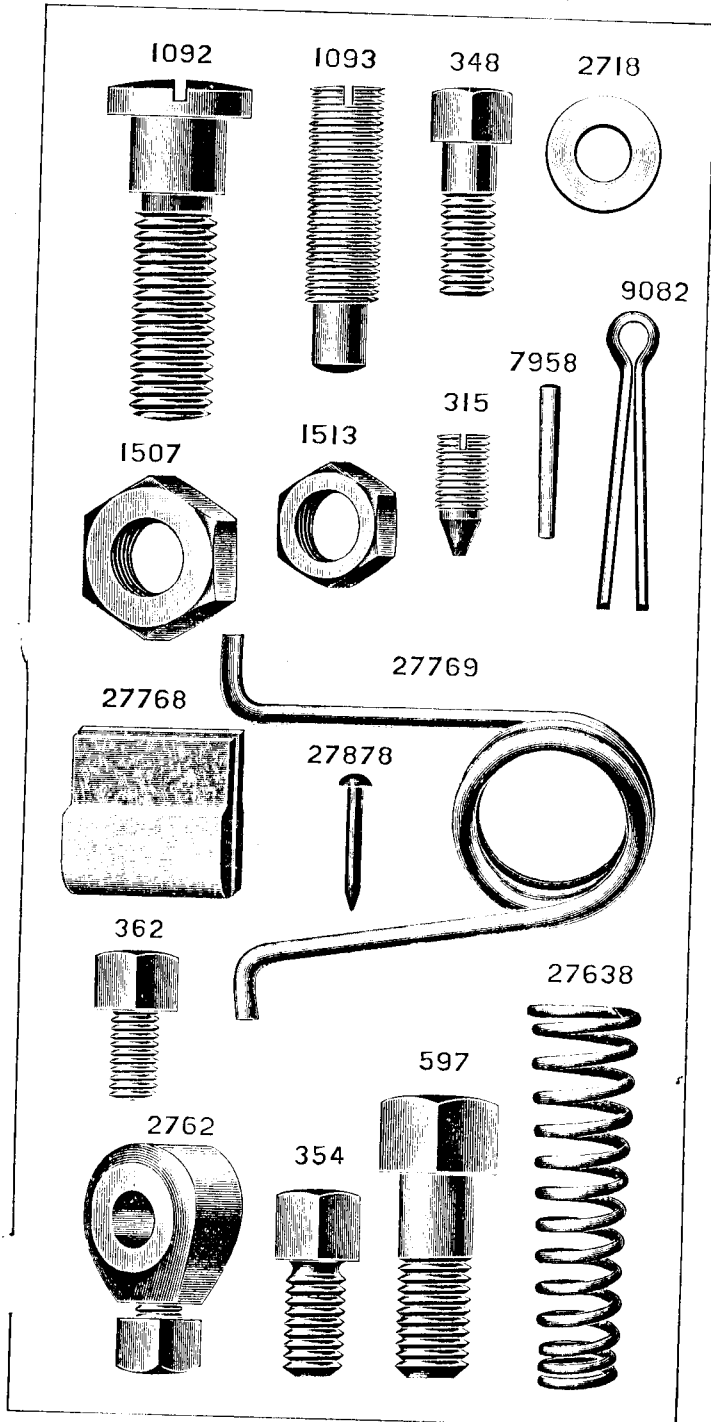


PLATE 2812—ONE-HALF SIZE

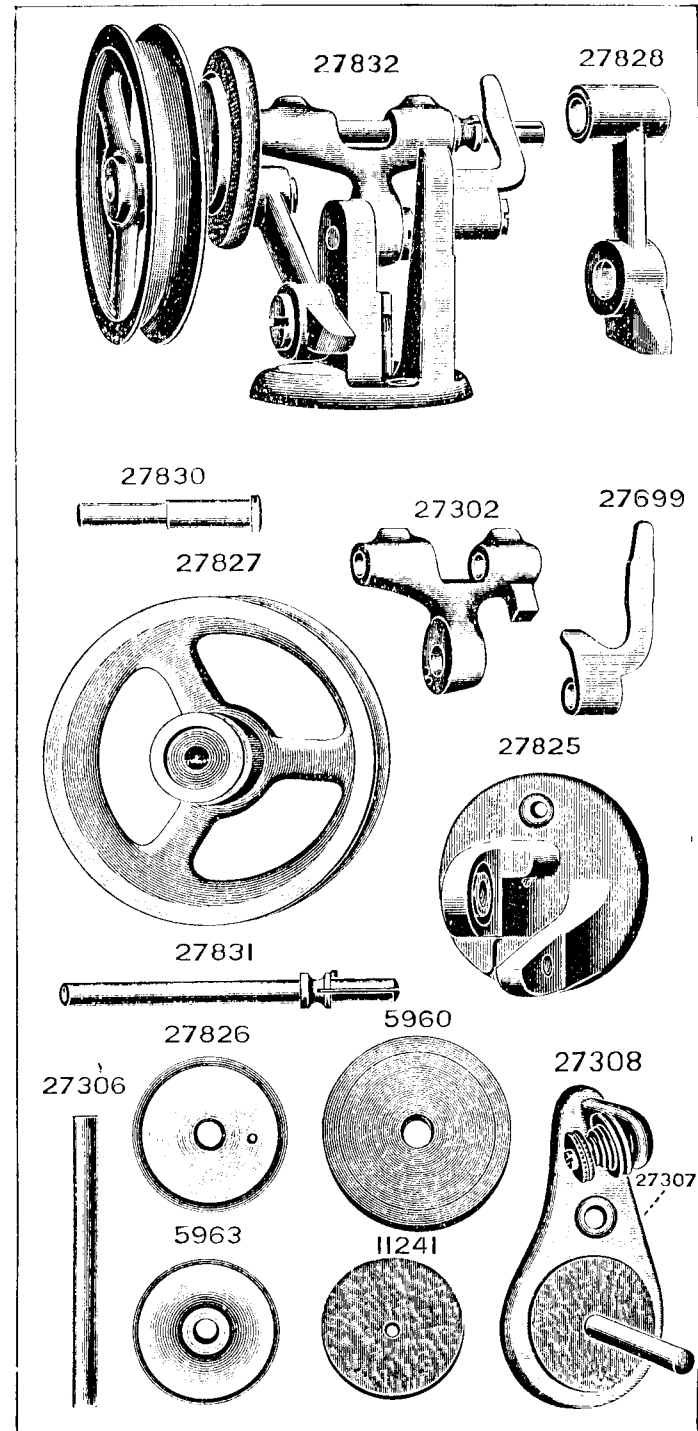


PLATE 3500—ONE-HALF SIZE

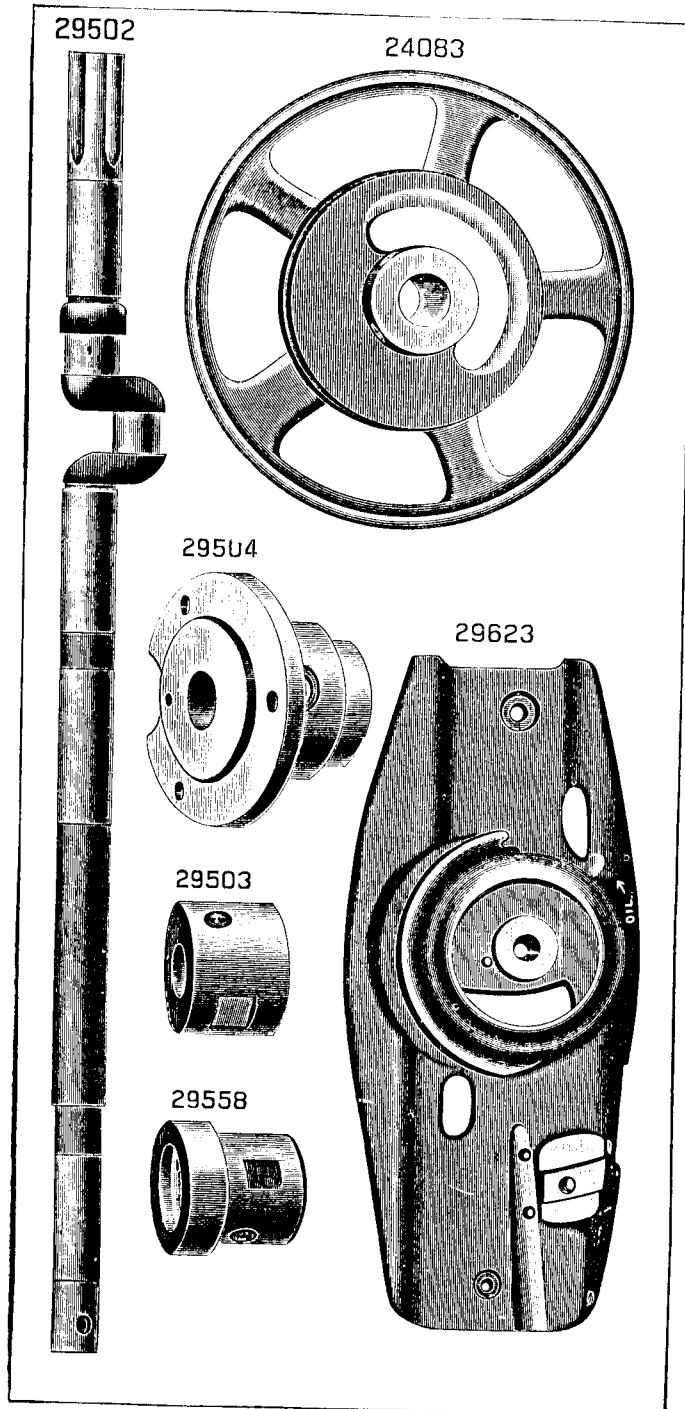


PLATE 3501—ONE-HALF SIZE

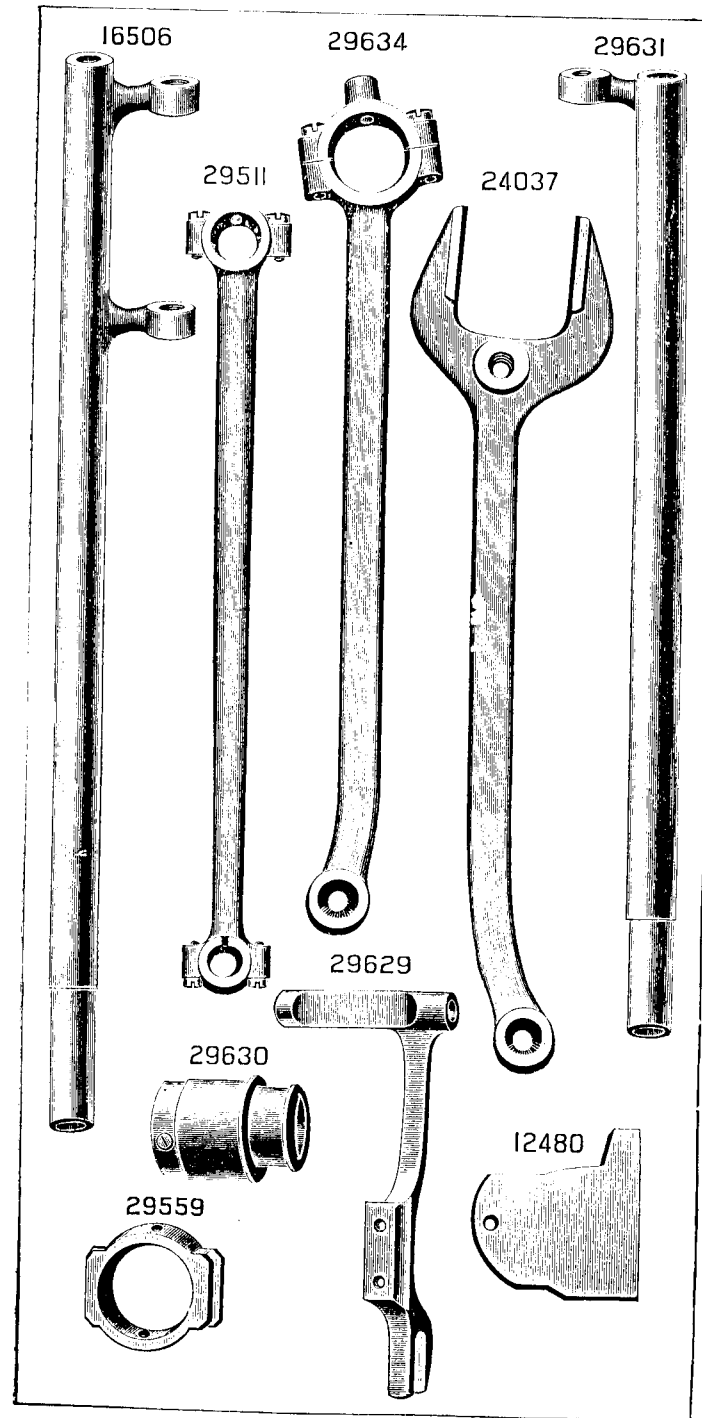


PLATE 3502—ONE-HALF SIZE

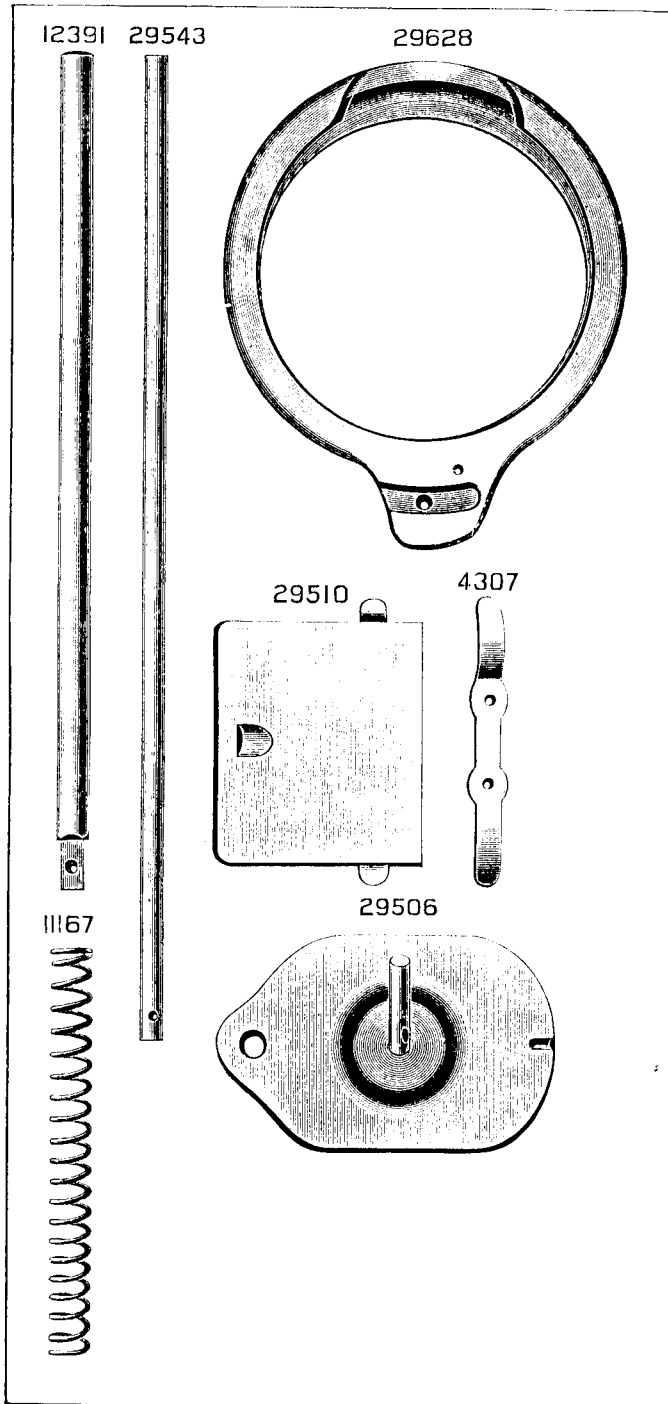


PLATE 3503—FULL SIZE

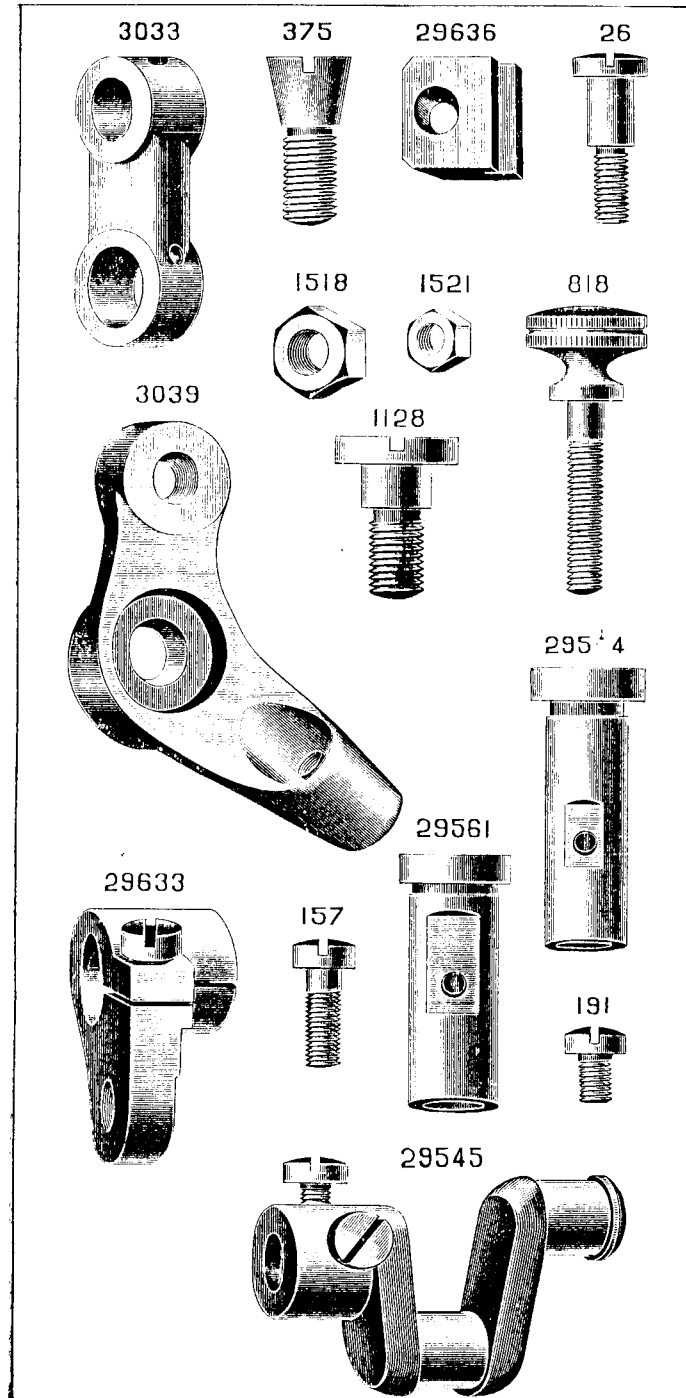


PLATE 3504—FULL SIZE

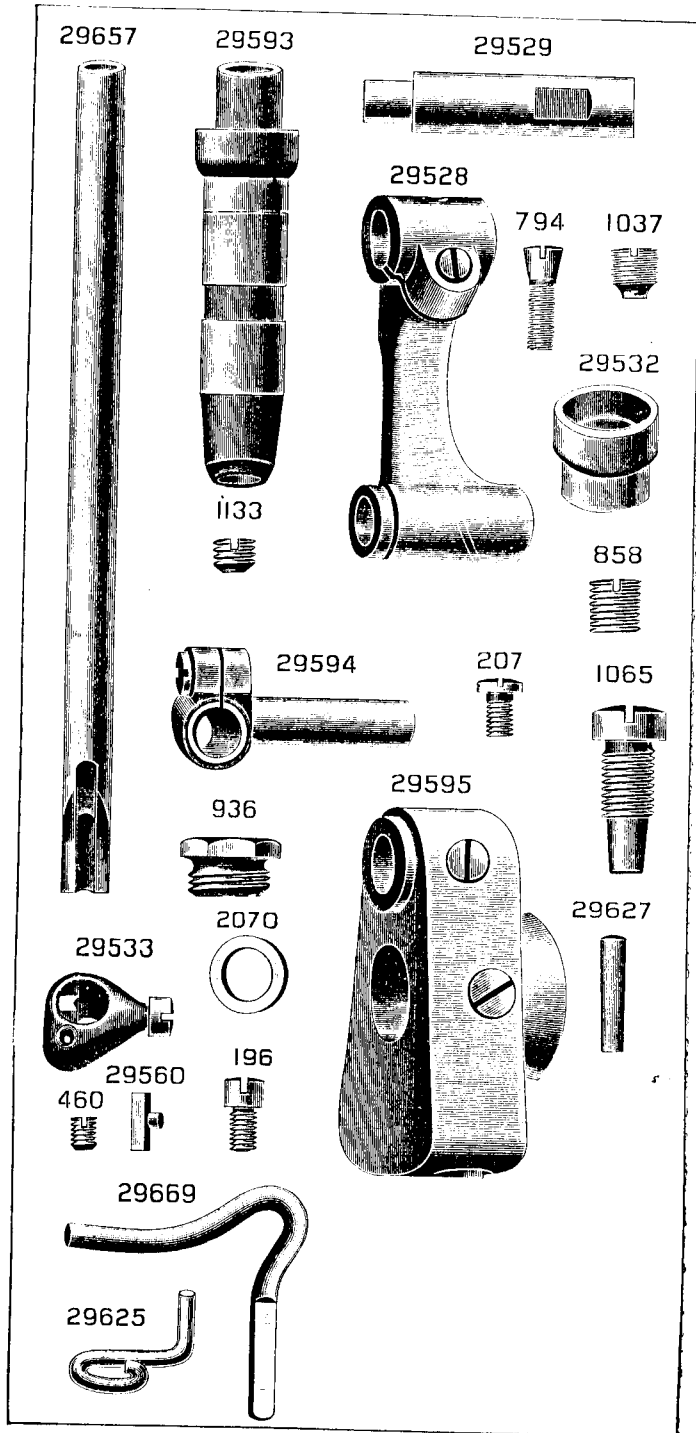


PLATE 3505—FULL SIZE

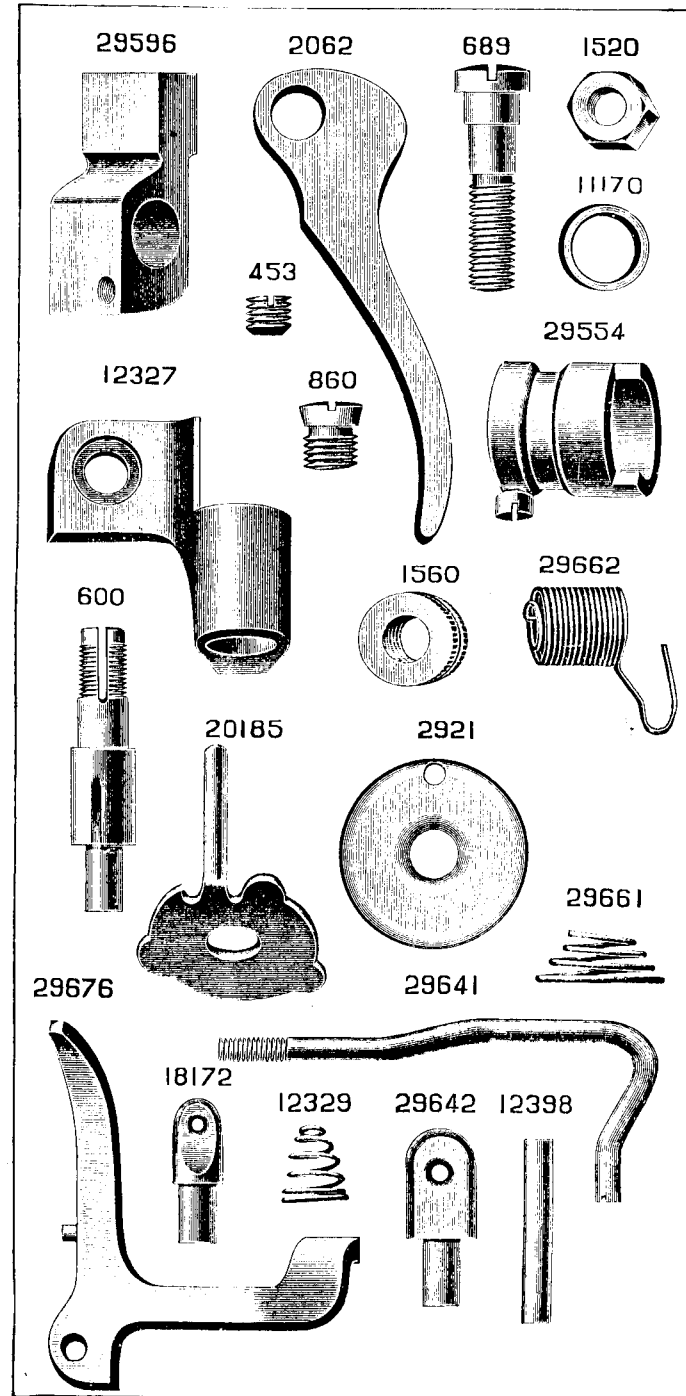


PLATE 3506—FULL SIZE

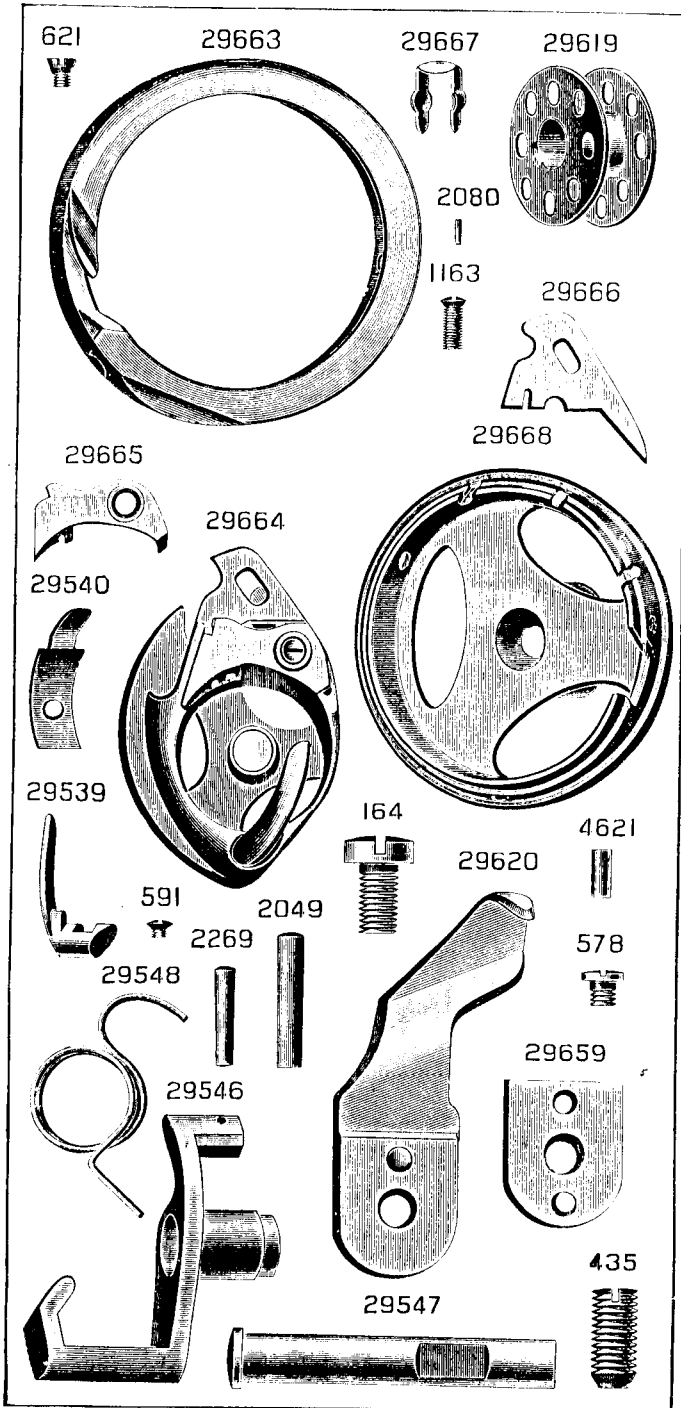


PLATE 3507—FULL SIZE

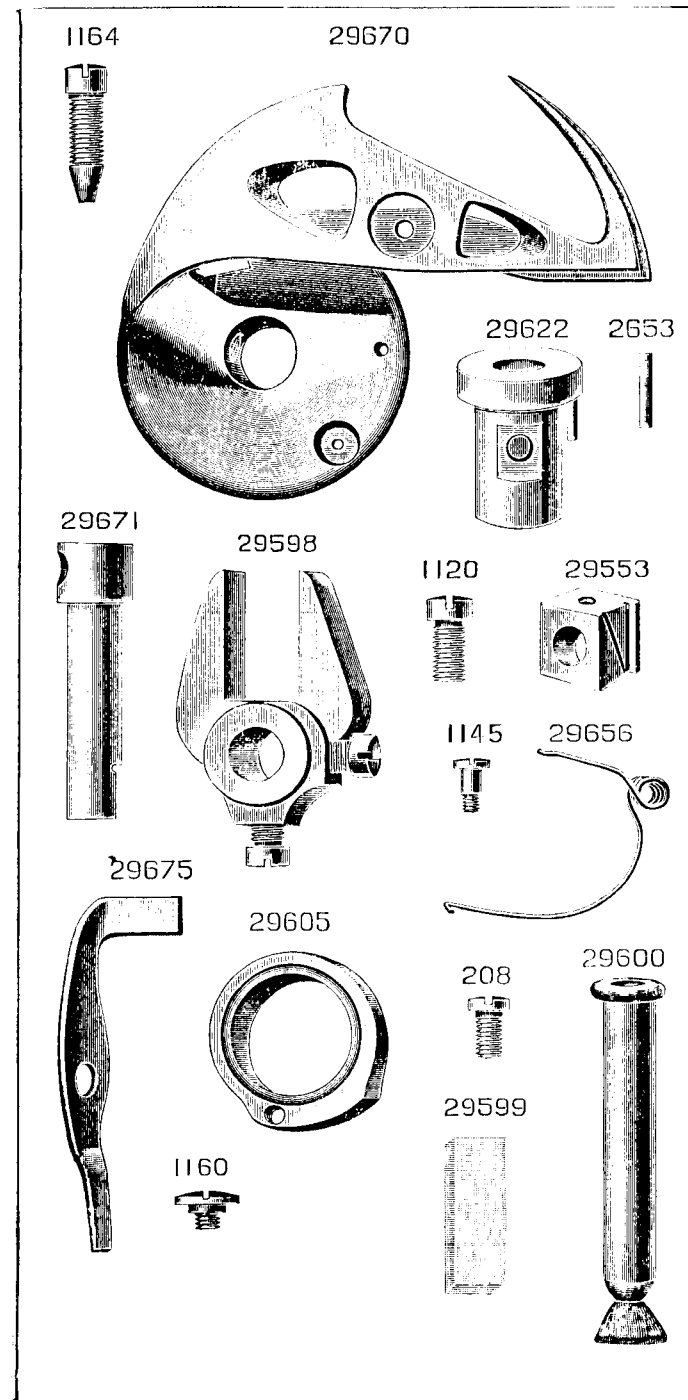


PLATE 3508—FULL SIZE

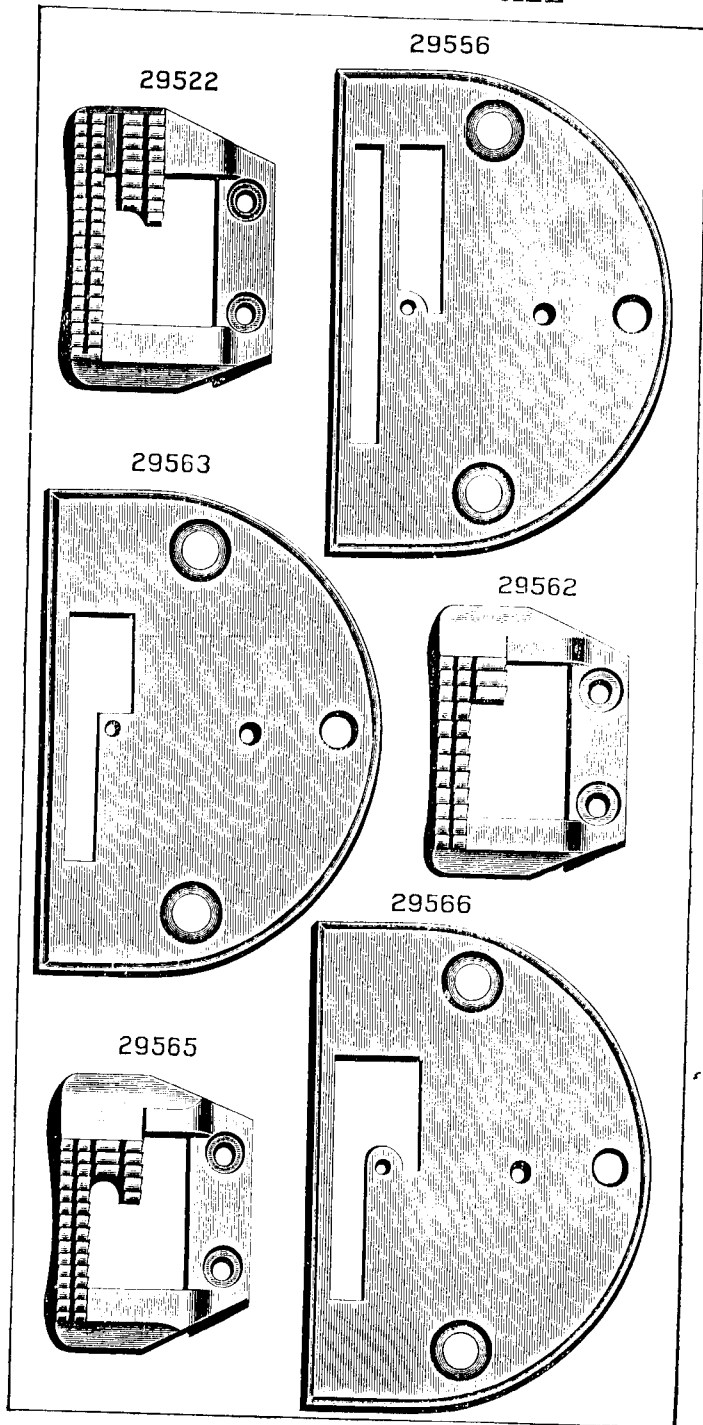


PLATE 3509—FULL SIZE

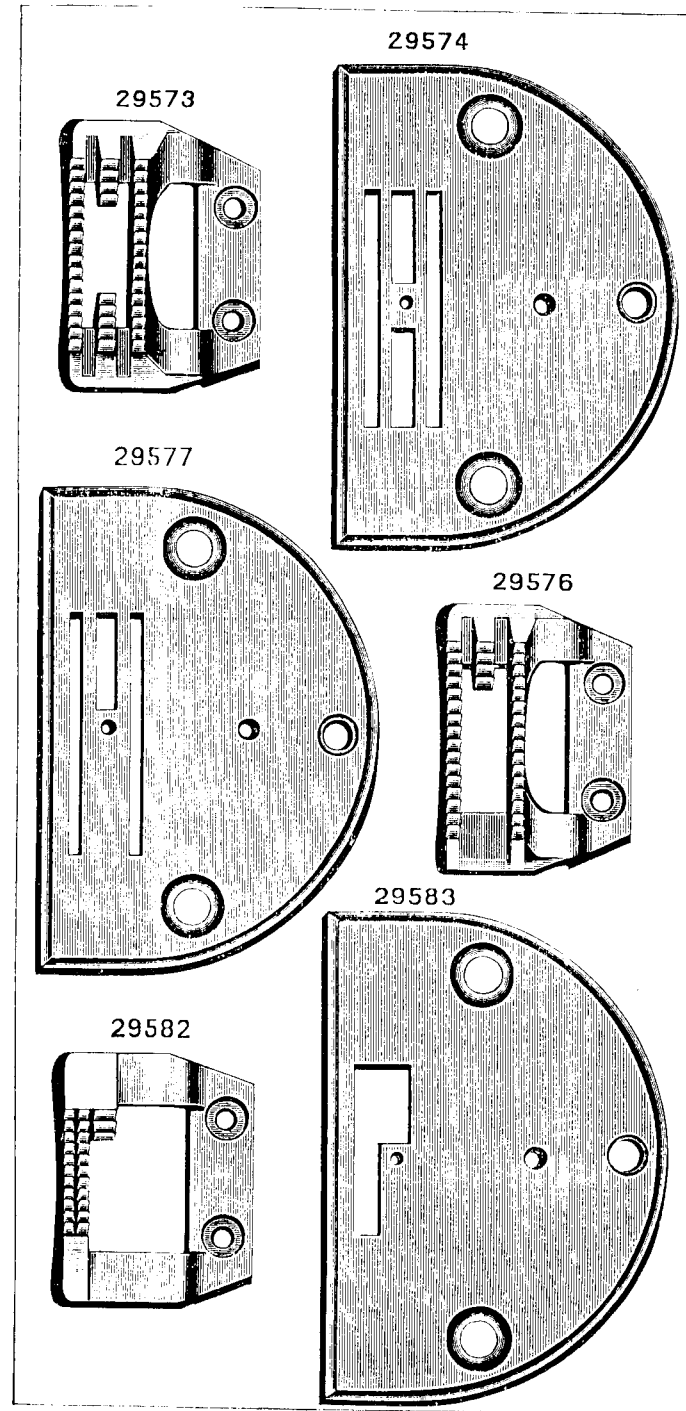
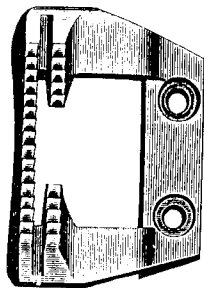
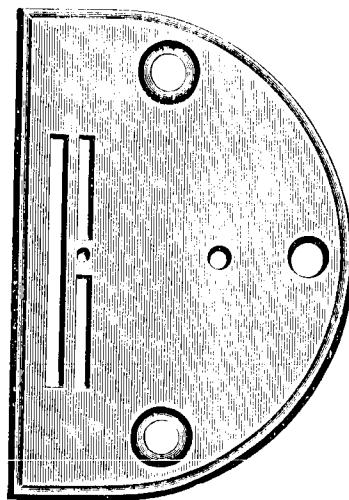


PLATE 3510—FULL SIZE

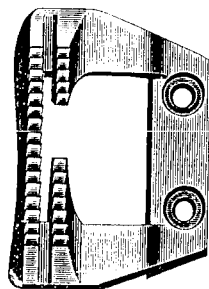
29580



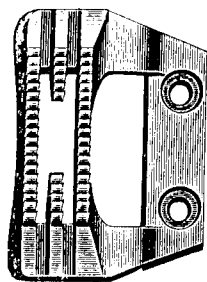
29581



29579



29607



29608

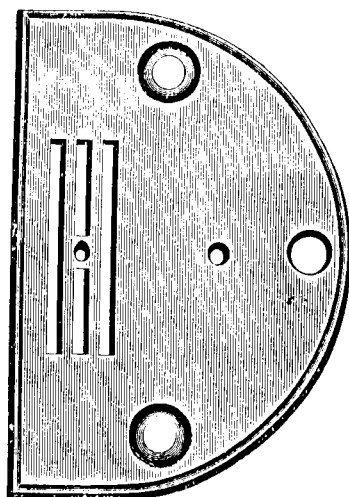
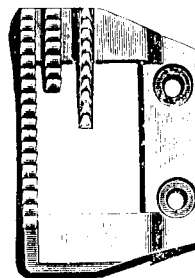
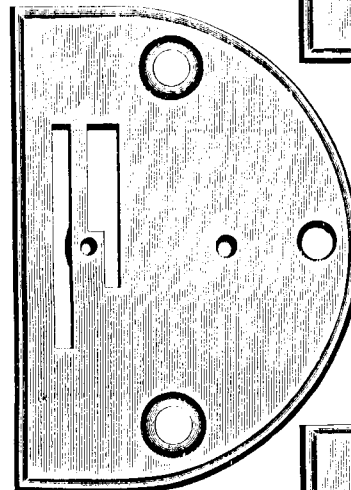


PLATE 3511—FULL SIZE

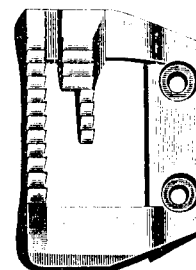
29611



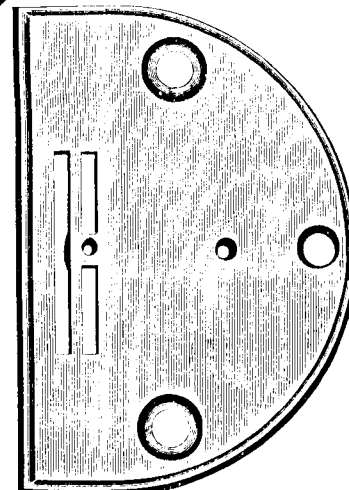
29615



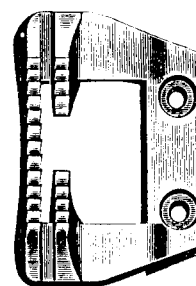
29614



29618



29617



29612

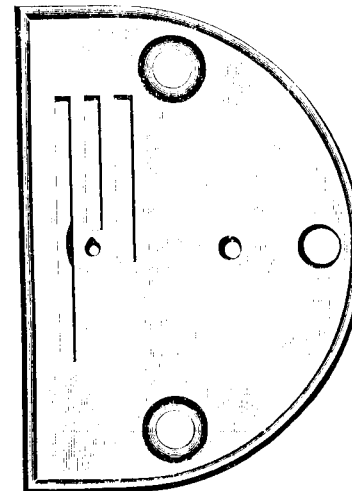
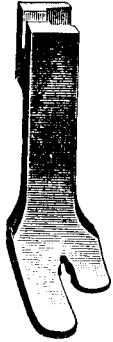


PLATE 3521—FULL SIZE

29534



29658



29638



29610



29660

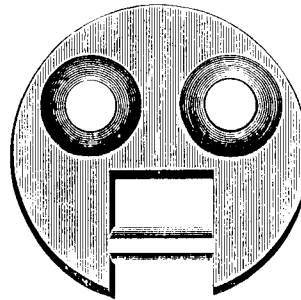


29677



PLATE 3523—FULL SIZE

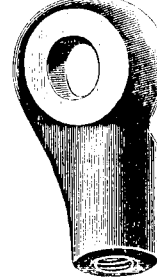
12362



12361



12416



9261



24107



24106



12241



29507



8582



12240



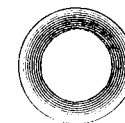
5735



5601



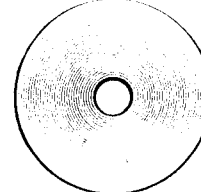
4430



25152



29601



12405

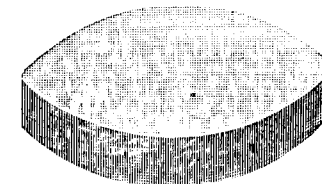


PLATE 3524—ONE-HALF SIZE

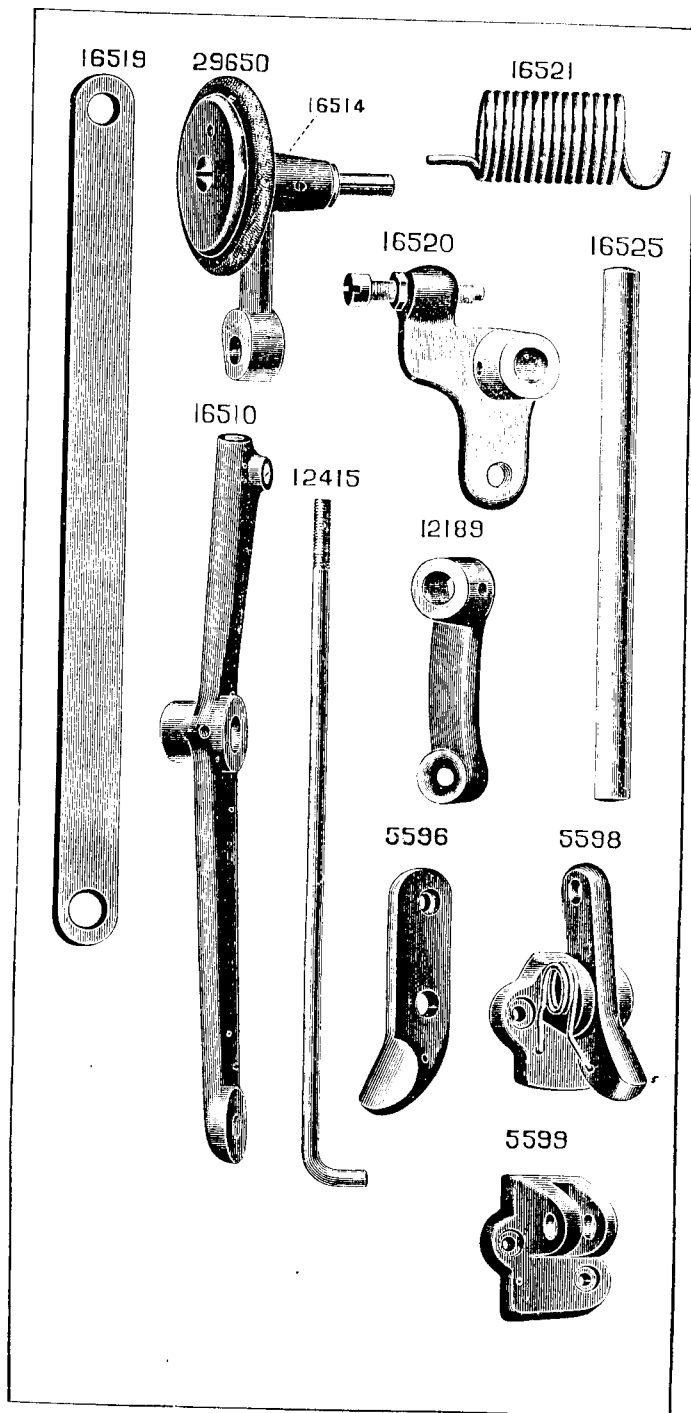


PLATE 3525—FULL SIZE

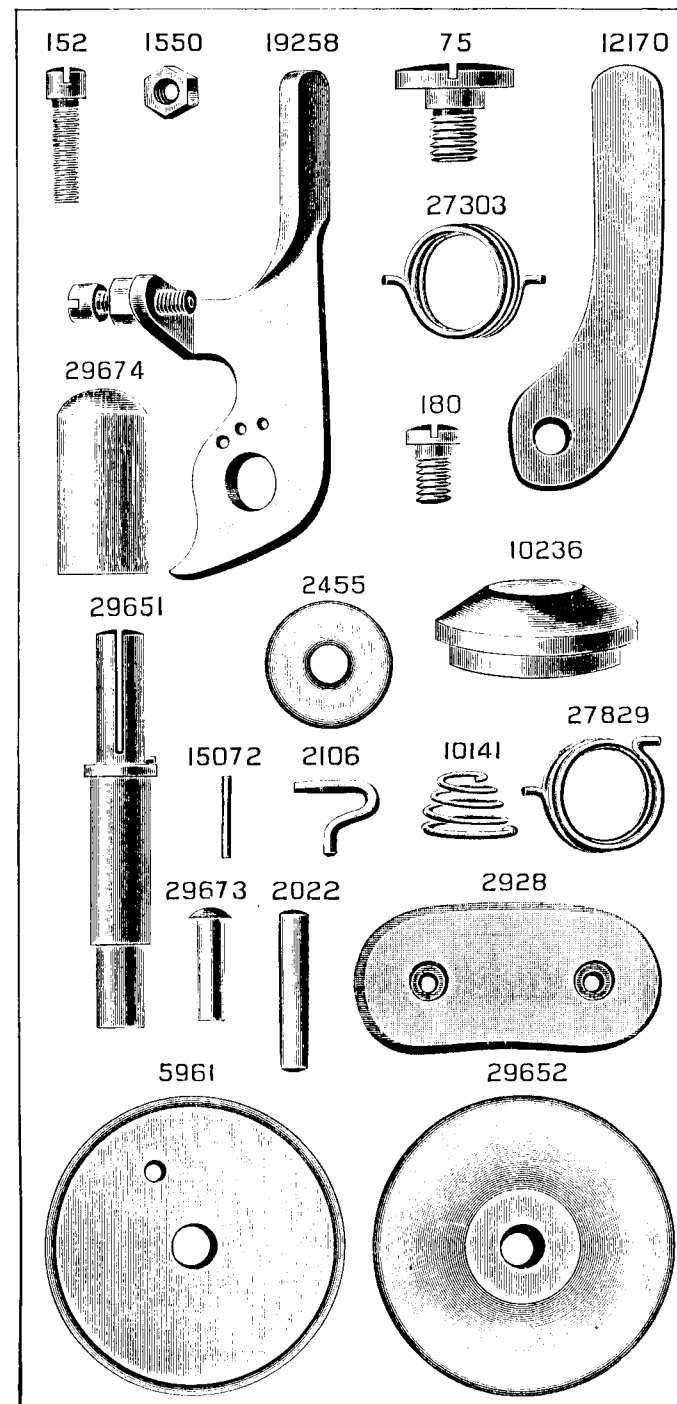


PLATE 3526—FULL SIZE

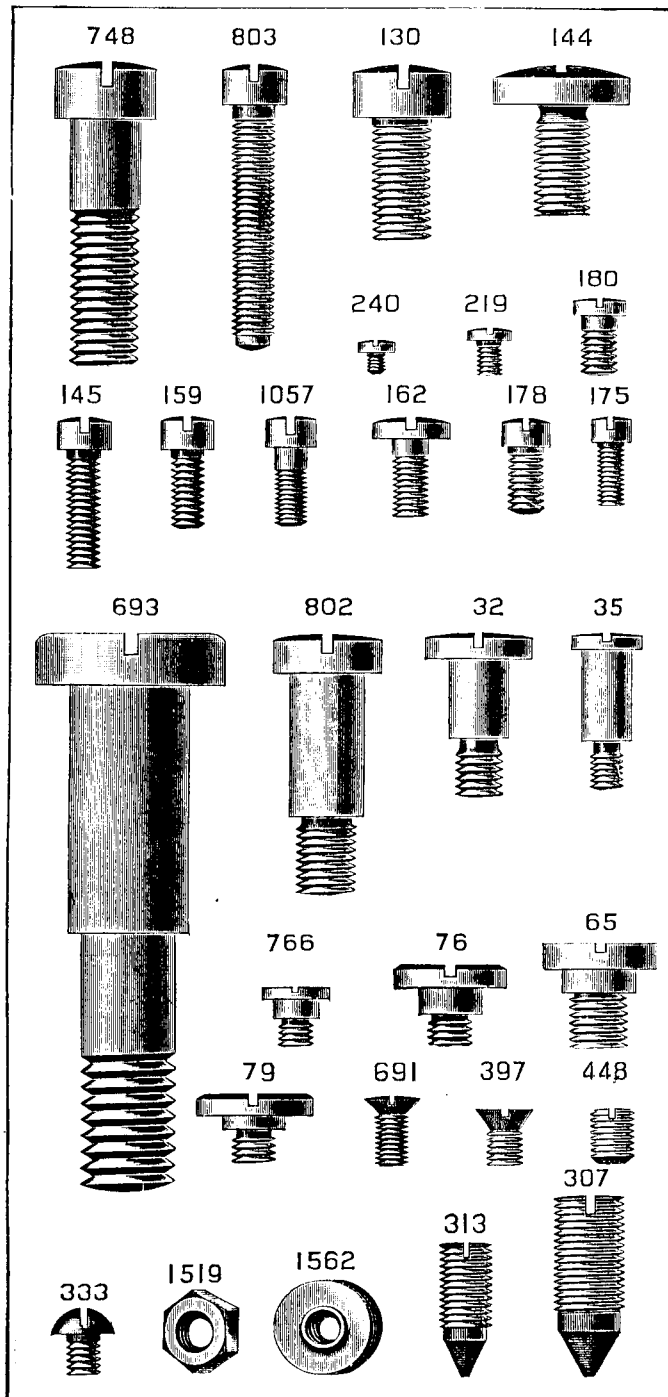


PLATE 3527—FULL SIZE

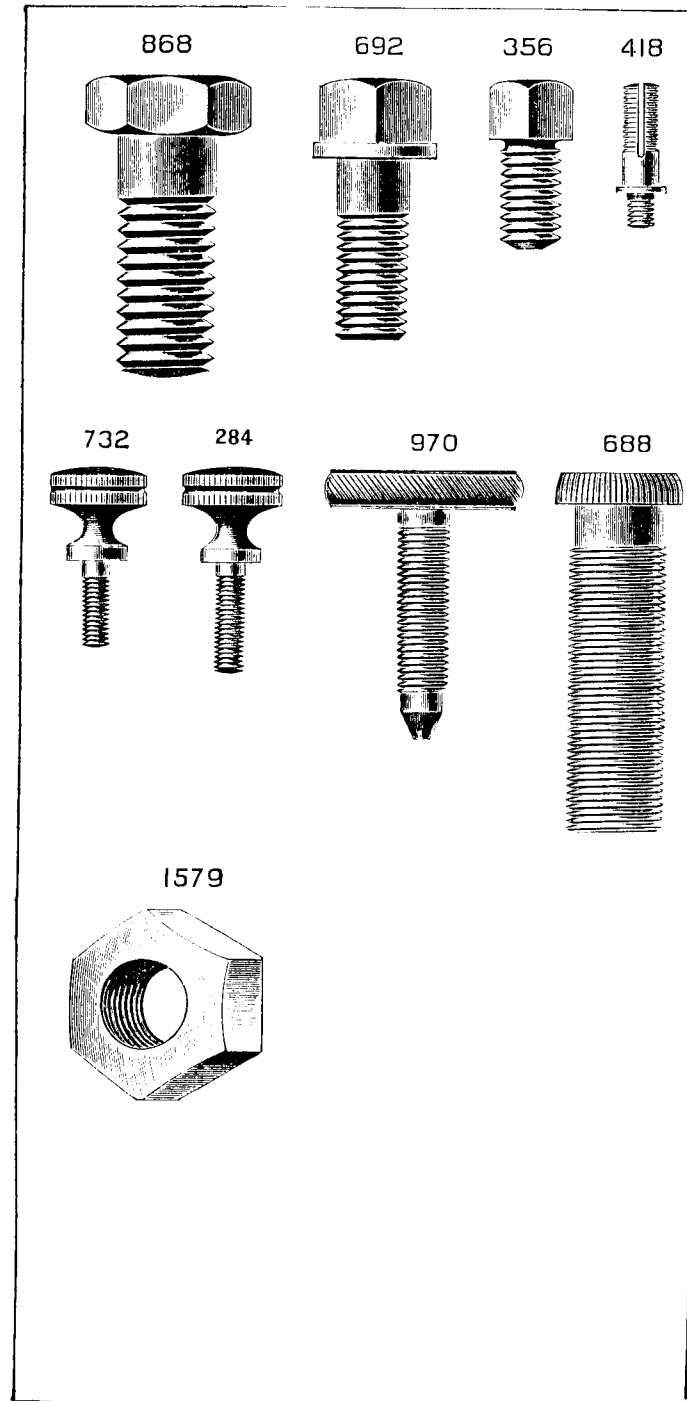


PLATE 3528—FULL SIZE

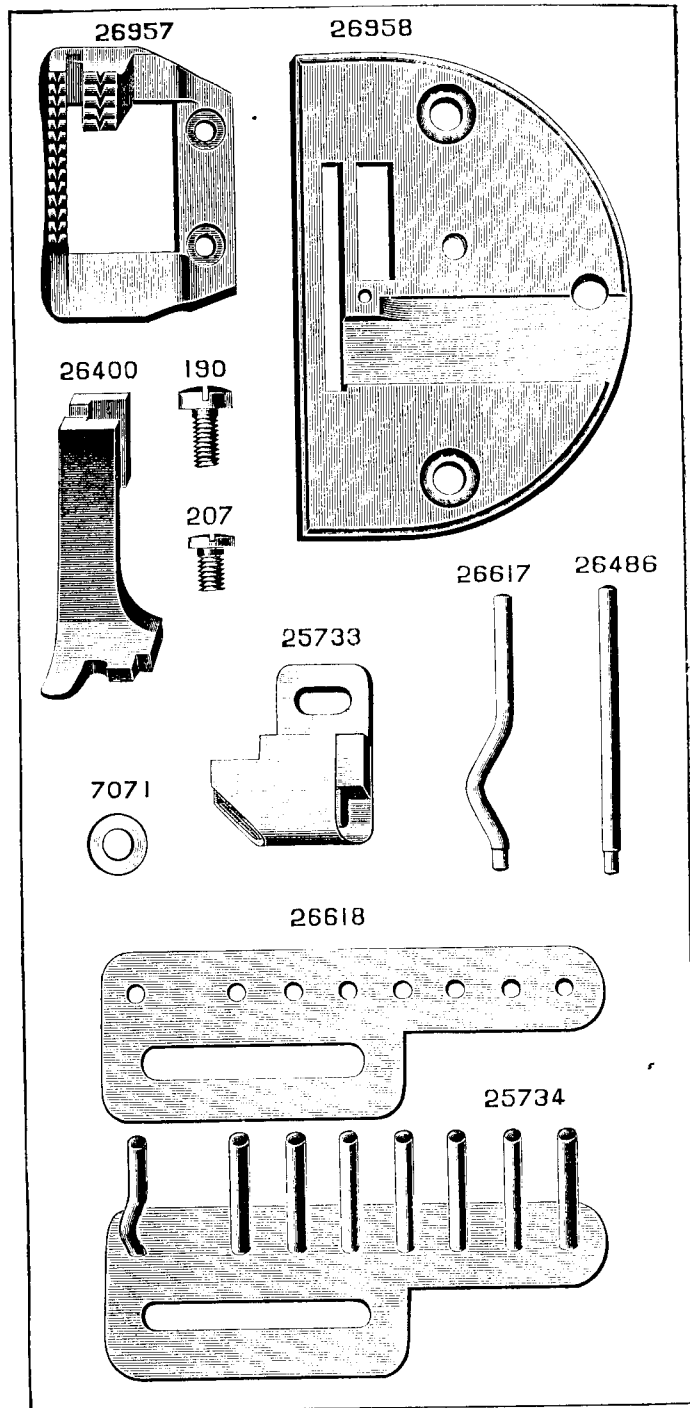


PLATE 3529—FULL SIZE

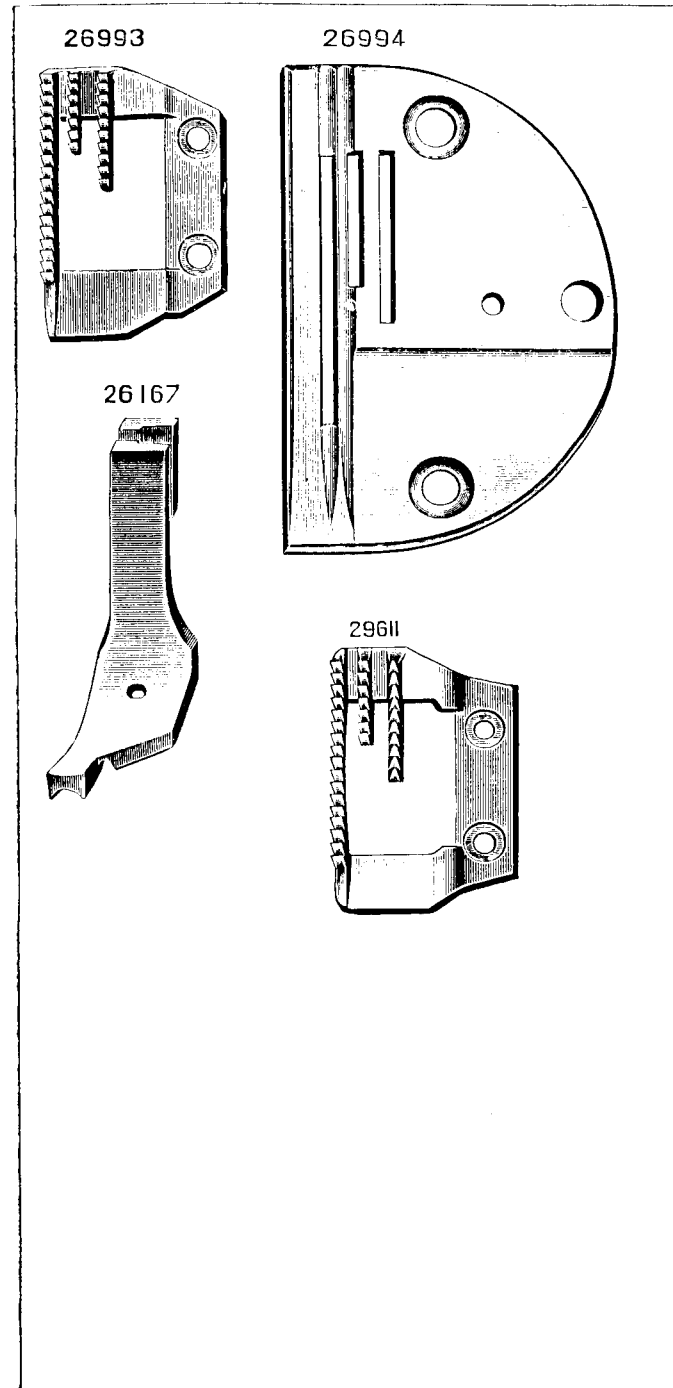


PLATE 3530—FULL SIZE

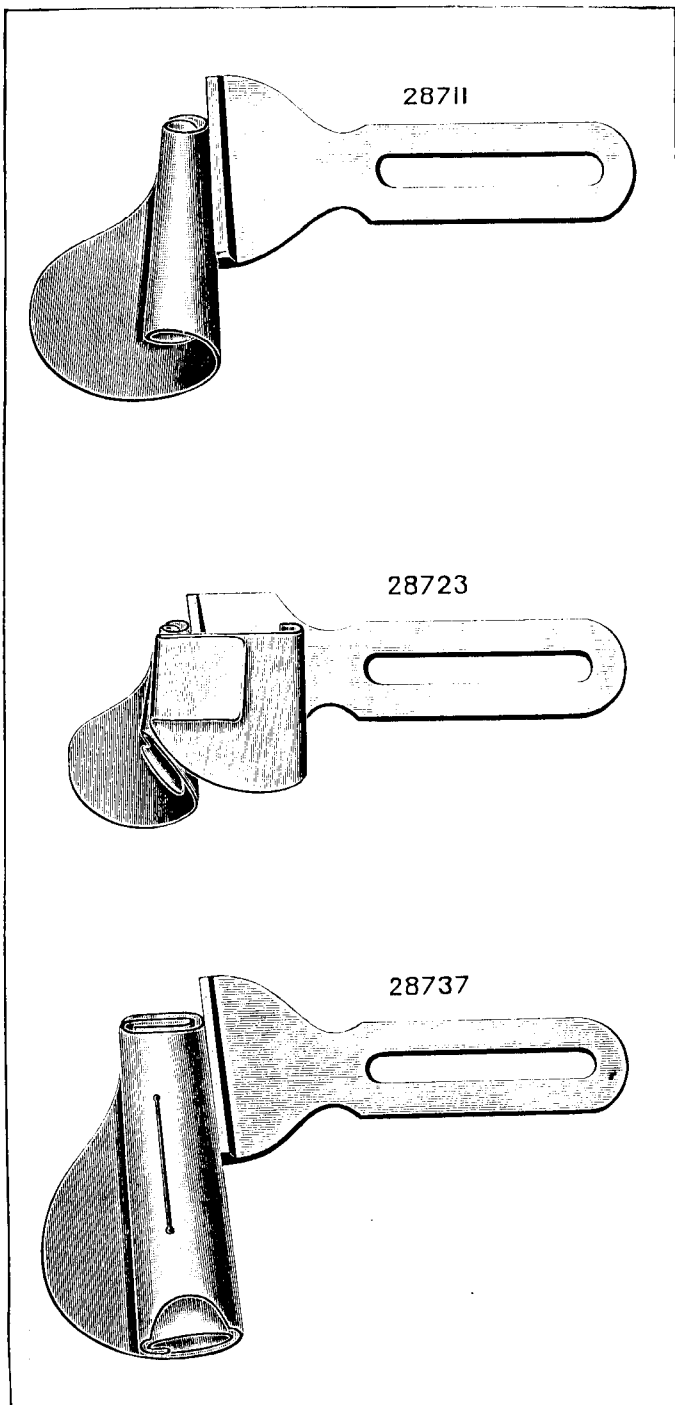


PLATE 3531—FULL SIZE

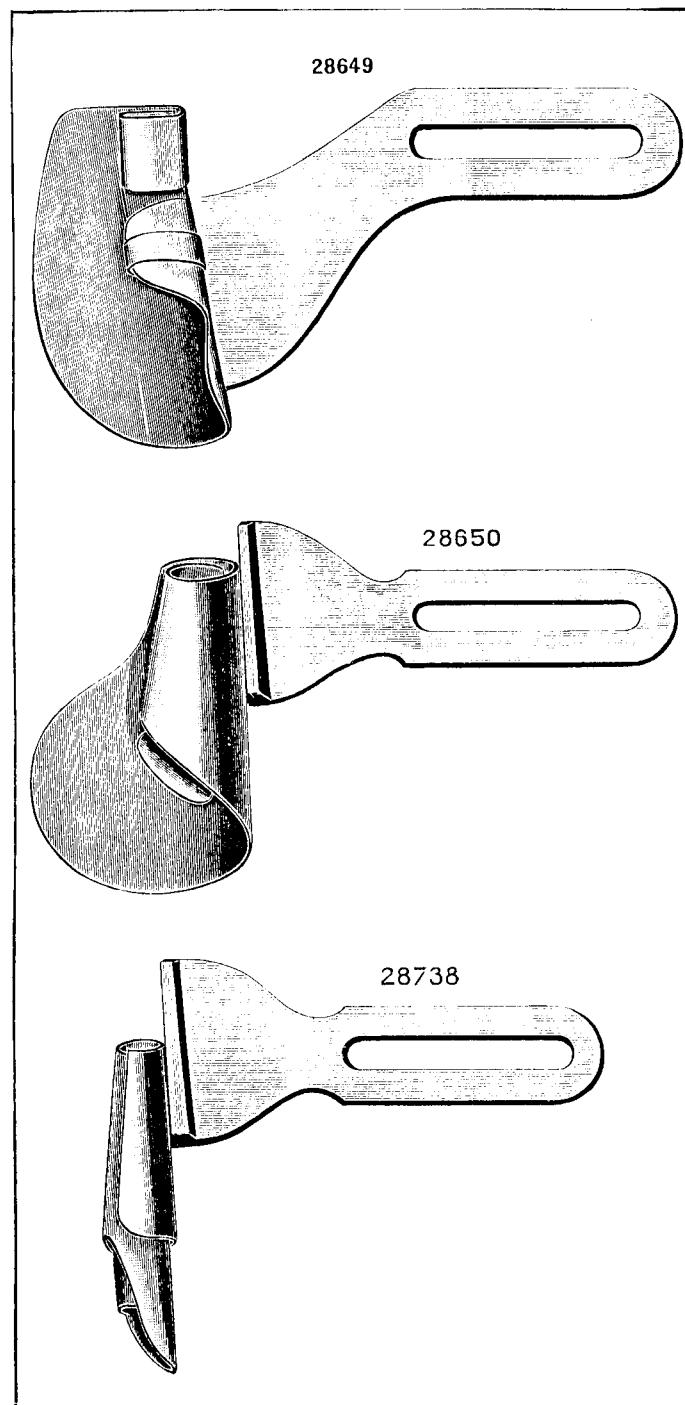


PLATE 3532—FULL SIZE

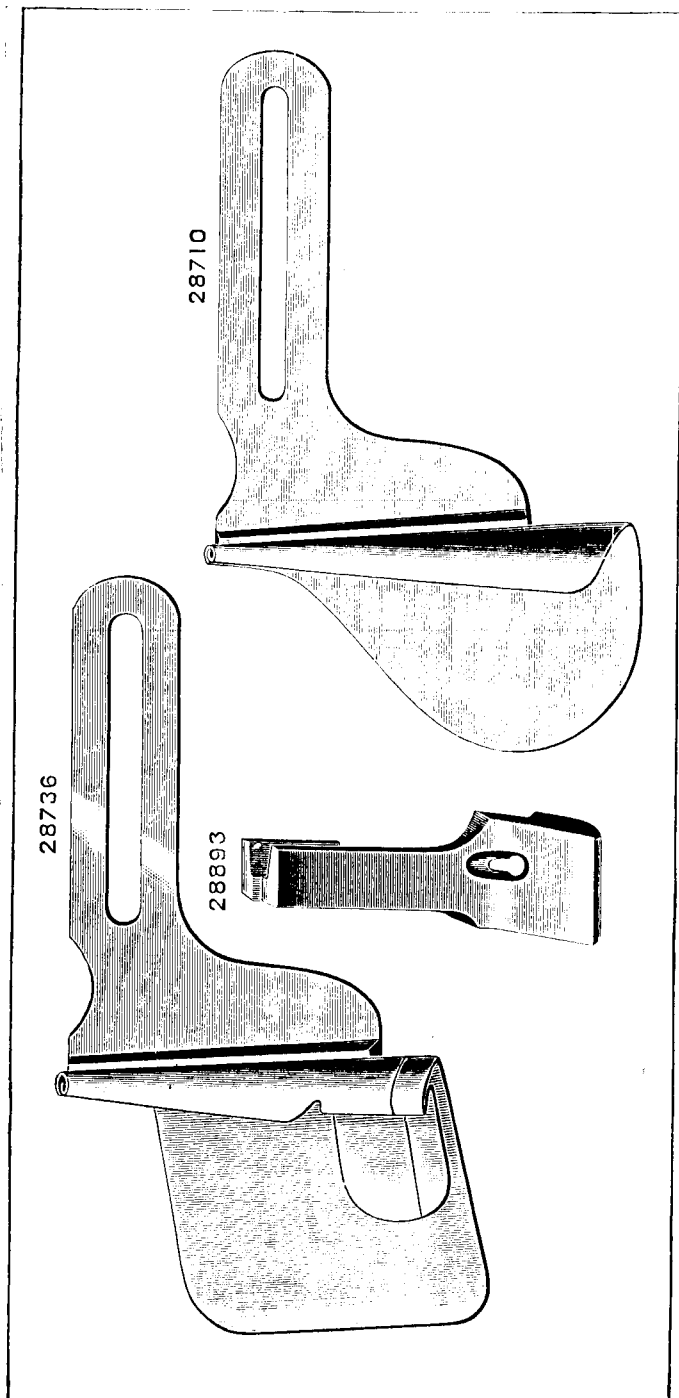


PLATE 3533—FULL SIZE

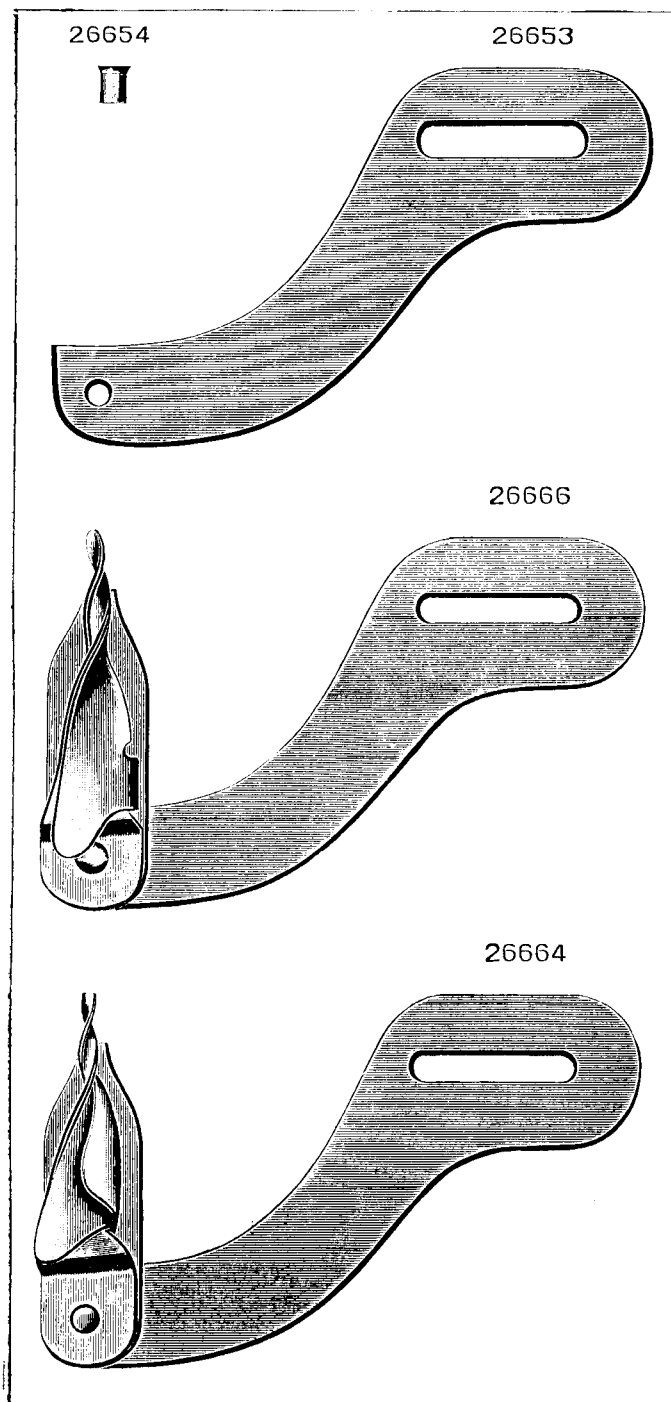


PLATE 3534—FULL SIZE

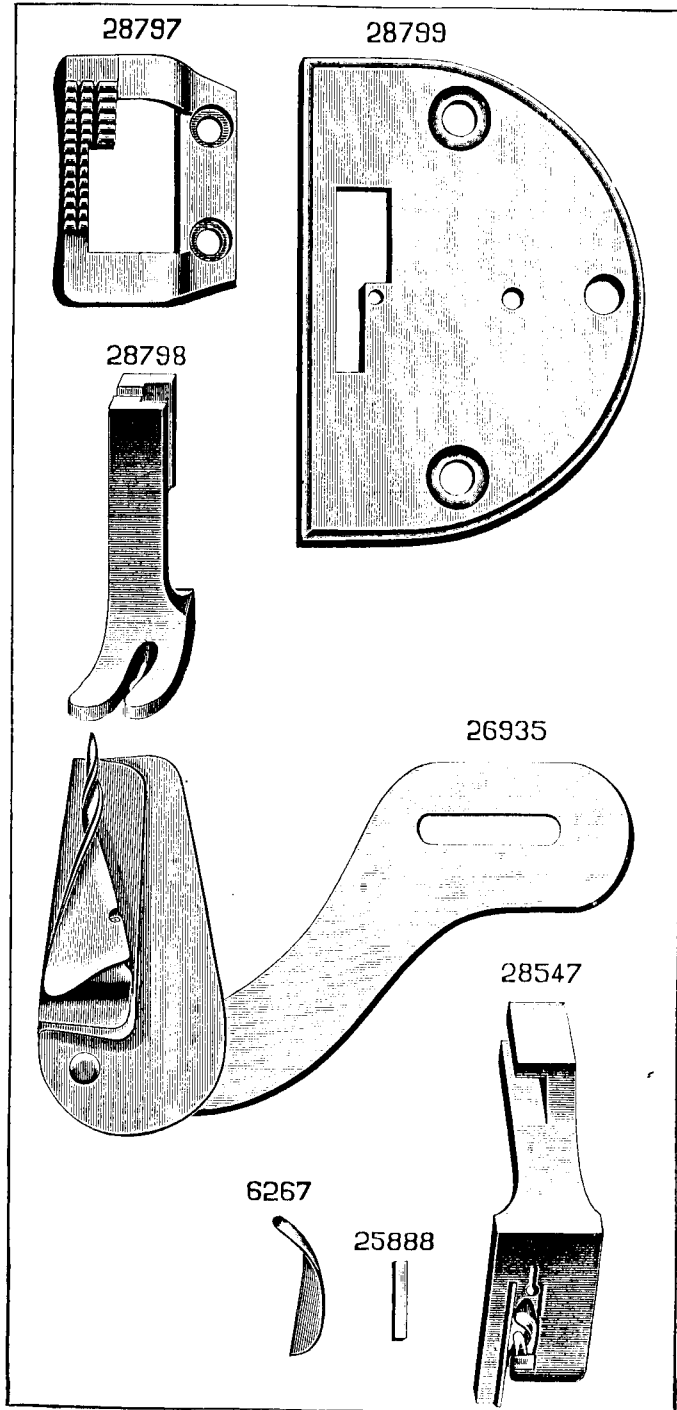


PLATE 3535—FULL SIZE

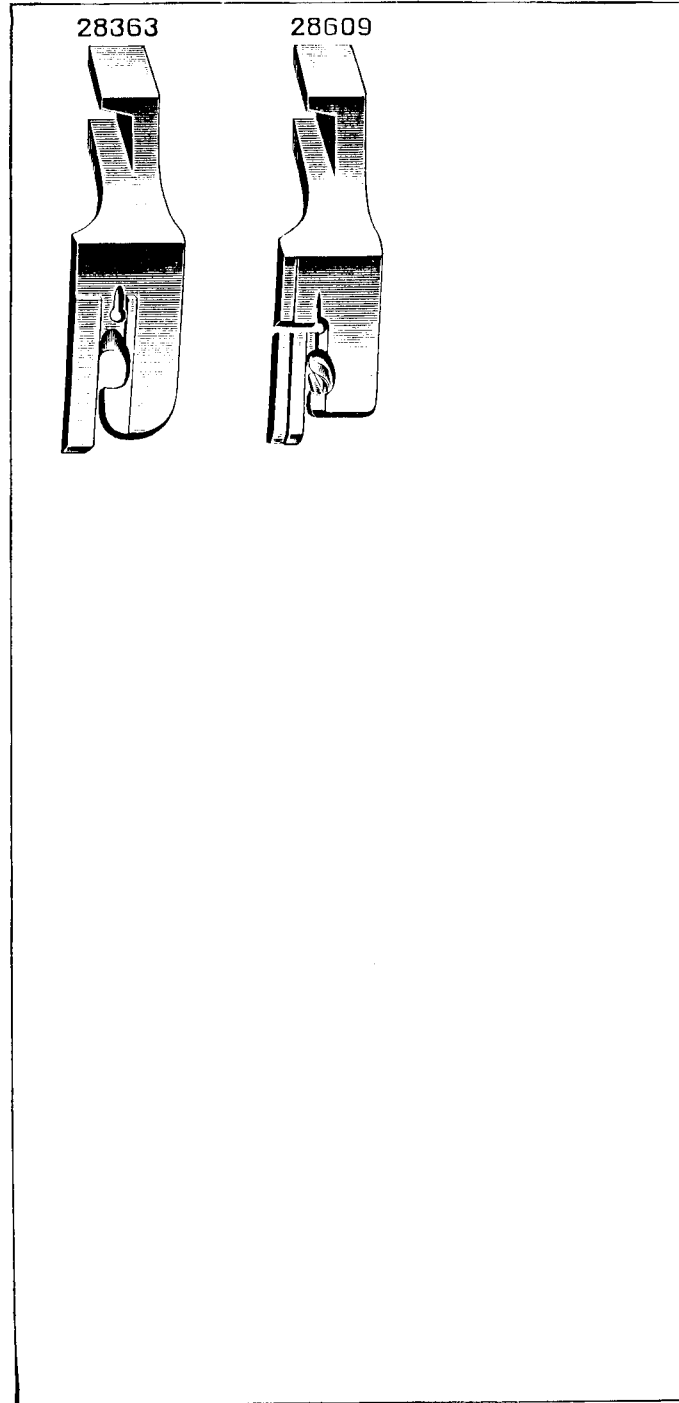


PLATE 3536—ONE-HALF SIZE

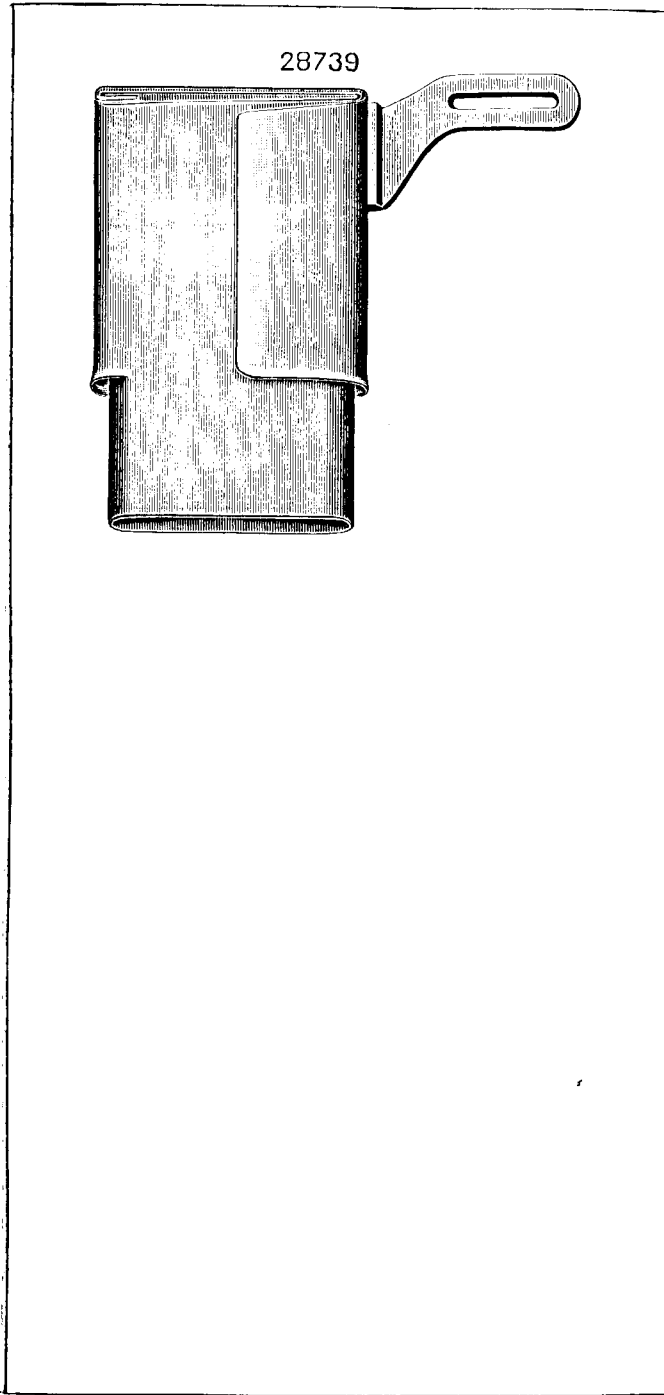


PLATE 3537—ONE-FOURTH SIZE

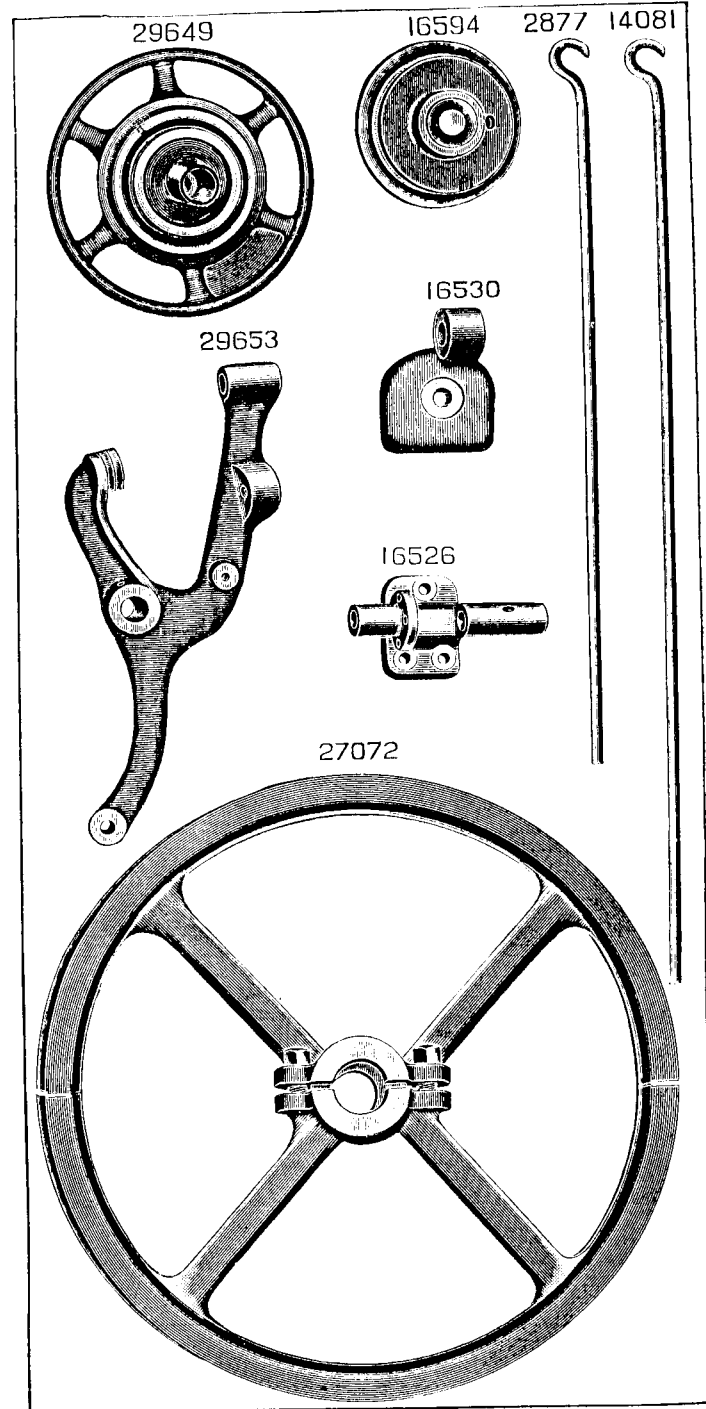


PLATE 3538—ONE-FOURTH SIZE

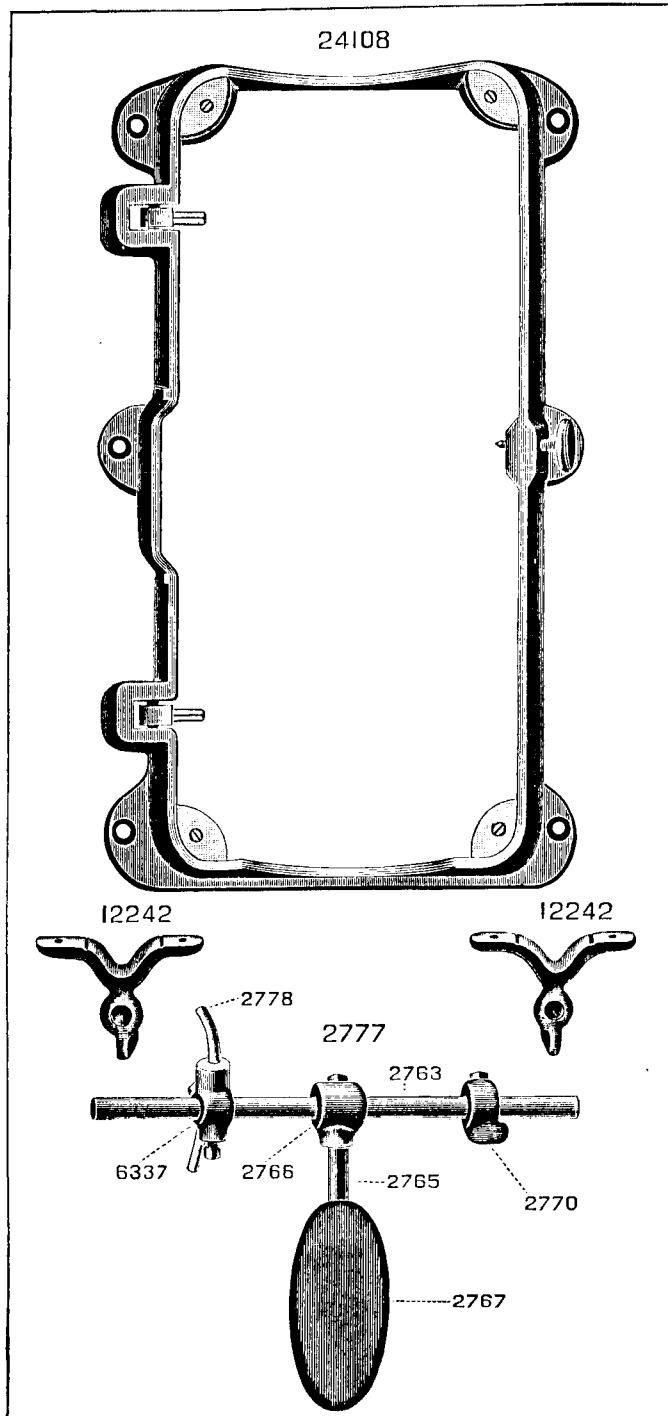


PLATE 3539—ONE-FOURTH SIZE

