

Singer 69-23

Form 19467

(440)

Printed in U. S. A.

LIST OF PARTS



MACHINE No. 69-23

THE SINGER MANUFACTURING COMPANY

INSTRUCTIONS FOR OILING

To insure easy running and prevent unnecessary wear of the machine, the parts which are in movable contact should be regularly oiled. When the machine is in continuous use oil should be applied at least twice each day.

Copyright, U. S. A., 1933, 1939 and 1940
by The Singer Manufacturing Company
All Rights Reserved for all Countries

INDEX

| | Page |
|---|------|
| Attachments and Accessories..... | 15 |
| Bobbin Winder..... | 15 |
| Eye and Finger Guard..... | 16 |
| Machine No. 69-23..... | 5 |
| Numerical List of Parts..... | 19 |
| Starting Lever and Foot Lifter Parts..... | 17 |
| Table Belt Guide..... | 18 |
| Thread Unwinder..... | 18 |

INSTRUCTIONS FOR ORDERING

In ordering from this list, use ONLY the part NUMBER in the FIRST column.

The number stamped on a Sewing Machine Part is in every case the number of the single part only.

Every combination of parts sent out as such has its specific number, which, although not stamped on the parts, must be used when ordering the combination.

Each number always indicates the SAME PART in whatever list it appears, or for whatever machine.

The letters after some of the numbers indicate the style of finish only, as follows:

- A-Hardened, Polished, Nickel Plated and Buffed
- A.A-Buffed and Chromium Plated
- A.B-Hardened, Polished, Buffed and Chromium Plated
- A.C-Brown Baking Enamel Finish
- A.D-Gray Baking Enamel Finish
- A.E-Hardened, Bright Rumbled and Nickel Plated
- A.F-Hardened, Bright Rumbled, Nickel Plated, Bright Rumbled and Chromium Plated
- B-Polished, Nickel Plated and Buffed
- C-Hardened Only
- C.R-Hardened and Merlized
- D-Polished Only
- E-Soft, Not Polished
- F-Hardened and Polished
- F.J-Hardened, Polished and Nickel Plated
- G-Bright Rumbled and Nickel Plated
- H-Blued
- J-Nickel Plated Only
- K-Hardened and Nickel Plated
- L-Brass Plated
- M-Oxidized
- N-Japanned, Dull
- P-Japanned, Bright
- P.P-Wrinkle Finish
- R-Merlized
- S-Cadmium Plated
- T-Copper Plated
- T.A-Hardened, Polished, Copper and Nickel Plated and Buffed
- T.B-Copper and Nickel Plated and Polished
- T.J-Copper and Nickel Plated Only
- T.K-Hardened, Copper and Nickel Plated
- T.L-Copper and Brass Plated
- T.M-Copper Plated and Oxidized
- U-Zinc Plated
- V-Silver Plated
- W-Polished and Nickel Plated
- X-Black Oxide, for Iron and Steel
- X.C-Hardened and Black Oxide, for Iron or Steel
- Y-Black Nickel Plated Only
- Z-Chromium Plated
- Z.A-Hardened, Polished, Nickel Plated, Buffed and Chromium Plated
- Z.B-Polished, Nickel Plated, Buffed and Chromium Plated
- Z.C-Hardened and Chromium Plated
- Z.D-Polished and Chromium Plated
- Z.G-Bright Rumbled, Nickel Plated, Bright Rumbled and Chromium Plated
- Z.J-Nickel and Chromium Plated
- Z.T-Copper and Chromium Plated

These letters MUST BE USED when they appear in the list; and AFTER the number as in the list.

In this series:

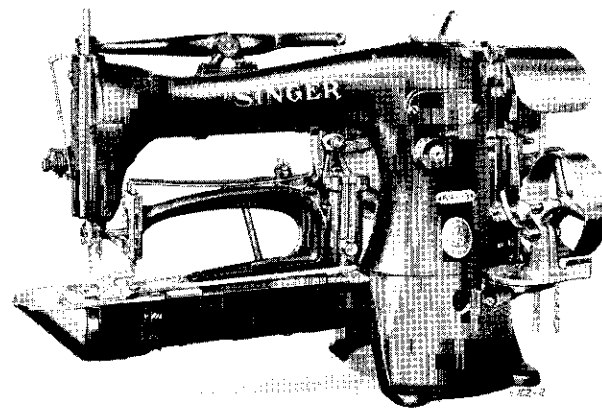
- 1 to 1500, 50001 to 51500 and 140001 to 142000 are Screw Numbers
- 1501 to 1800 and 51501 to 51800 are Nut Numbers
- 1801 to 2000 and 51801 to 52000 are Roller Numbers
- 2001 to 50000 and 52001 to 140000 and 142001 to 190000 are Sewing Machine Parts, 190001 and upward are numbers of Electrical Parts.

The figures in the second column refer only to the plates, illustrating the parts, and are NOT TO BE USED in ordering.

Parts marked with an asterisk (*) are furnished only when repairs are made at factory.

LIST OF PARTS COMPLETE

FOR



MACHINE No. 69-23

For Stitching Tags on Laundry Articles. Small size tag 30/64 inch by 15/64 inch. Makes 21 stitches, 5 stitches on both the upper and lower rows, 4 stitches on each side and 3 tying stitches. Speed 1000 R. P. M.

| No. | Plate | Name |
|-------|-------|---|
| 55390 | 8590 | Arch Clamp Foot (left) for 55391..... |
| 55391 | ---- | " " " " 55390 with 219K and 63731, for 55934..... |
| 55392 | 8590 | Arch Clamp Foot (right) for 55393..... |
| 55393 | ---- | " " " " 55392 with 219K and 63732, for 55394..... |
| 17958 | 8596 | Arch Clamp Foot Lifter with 17866..... |
| 190J | 8596 | " " " " Screw..... |
| 63726 | 8590 | " " " " Lifting Stud..... |
| 18477 | 8590 | " " " " Plate..... |
| 190J | 8590 | " " " " Screw..... |
| 219K | 8590 | " " " " Screw..... |
| 63731 | 8590 | " " " " Shank (left) with 63726. |
| 63732 | 8590 | " " " " (right) with 63726 |
| 63733 | 8590 | " " " " Spring..... |

| No. | Plate | Name |
|--------|-------|--|
| 1221F | 8590 | Feed Plate Carrier Bar Block Screw..... |
| 55300 | 8590 | " " " " " Steady Pin. |
| 17805 | 8590 | " " " " " Pivot Block..... |
| 1194D | 8590 | " " " " " " Screw |
| 18390 | 8590 | " " " " " Plate..... |
| 934J | 8590 | " " " " " " Screw..... |
| 1654C | 8590 | " " " Nut..... |
| 17806 | 8590 | " " " Position Stud..... |
| 1195E | 8590 | " " " Screw Stud..... |
| 8505 | 8590 | " " " " Rivet..... |
| 39361 | 8595 | " Regulator with 1953..... |
| 18469 | 8595 | " " Bracket with 690D and two 160D..... |
| 160D | 8595 | Feed Regulator Bracket Cap Screw..... |
| 8589 | 8595 | " " " Dowel Pin..... |
| 1177E | 8595 | " " " Screw..... |
| 17744 | 8595 | " " Hinge Stud..... |
| 18488 | 8590 | " " Post..... |
| 18489 | 8590 | " " " Guide..... |
| 810D | 8590 | " " " " Cap Screw..... |
| 1953 | 8595 | " " Roller and Screw Stud with 1655C and 14017..... |
| 1655C | 8595 | Feed Regulator Roller and Screw Stud Nut |
| 14017 | 8595 | " " " " " " " " Washer..... |
| 39313 | 8595 | Feed Regulator Swivel..... |
| 1191D | 8595 | " " Thumb Screw..... |
| 55442 | 8597 | Knife (needle thread) for 55323..... |
| 55456 | 8597 | " (shuttle thread) for 55323..... |
| 55321 | 8597 | " (stationary) for 55329..... |
| 50117J | 8597 | " " Screw..... |
| 18370 | 8592 | " Bar with 18373 and two 17822..... |
| 18371 | 8592 | " " Cap..... |
| 217J | 8592 | " " " Screw..... |
| 18372 | 8592 | " " Connection with 17917..... |
| 190J | 8592 | " " " Screw..... |
| 7071 | 8592 | " " " " Washer..... |
| 17915 | 8592 | " " " Slide Block..... |
| 17917 | ---- | " " " " " " 17915 with 17916..... |
| 17916 | 8592 | Knife Bar Connection Slide Block Stud... |
| 39297 | 8592 | " " Driving Lever with 190J,1420E, 17919 and 39298..... |
| 1382F | 8592 | Knife Bar Driving Lever Hinge Screw..... |
| 1681C | 8592 | " " " " " " Nut. |
| 39298 | 8592 | " " " " " Lock Stud..... |
| 17919 | 8592 | " " " " " " Spring |
| 190J | 8592 | " " " " " " " Screw..... |
| 1420E | 8592 | Knife Bar Driving Lever Lock Stud Stop Screw..... |

| No. | Plate | Name |
|--------|-------|---|
| 18373 | 8592 | Knife Bar Rack..... |
| 17822 | 8592 | " " " Rivet..... |
| 39235 | 8592 | " Cam Lever Body..... |
| 39409 | ---- | " " " " 39235 with 39460... |
| 39329 | ---- | Knife Cam Lever complete, Nos. 19793 and 39409..... |
| 18470 | 8592 | Knife Cam Lever Bracket with 1177D..... |
| 8589 | 8592 | " " " " Dowel Pin..... |
| 670E | 8592 | " " " " Screw..... |
| 50029C | 8592 | " " " Hinge Screw..... |
| 18471 | 8592 | " " " " " Bushing..... |
| 18472 | ---- | " " " " " " " 18471 with 50029C..... |
| 1177D | 8592 | Knife Cam Lever Hinge Screw Bushing Clamping Screw..... |
| 1980 | 8592 | Knife Cam Lever Roller and Screw Stud with 1654C..... |
| 1654C | 8592 | Knife Cam Lever Roller and Screw Stud Nut..... |
| 39330 | 8592 | Knife Cam Lever Slide with 1980..... |
| 39460 | ---- | " " " " 39330 with 1255J and 39331..... |
| 1255J | 8592 | Knife Cam Lever Slide Screw..... |
| 39331 | 8592 | " " " " " Washer..... |
| 19793 | 8592 | " " " Steady Pin..... |
| 17825 | 8597 | " Holder with 17830 and two 7298.... |
| 55323 | ---- | " " 17825 with 1196C, 17829, 55442 and 55456..... |
| 7298 | 8597 | Knife Holder Pinion Dowel Pin..... |
| 17827 | 8597 | " " " Stud..... |
| 17828 | 8597 | " " " " Bracket with 17827..... |
| 50018F | 8597 | Knife Holder Pinion Stud Bracket Screw.. |
| 1698C | 8597 | " " " " " " Nut |
| 1198C | 8597 | " Screw..... |
| 17829 | 8597 | " Thread Holder..... |
| 17830 | 8597 | " " " Position Pin..... |
| 17831 | 8596 | Needle Bar with 237F..... |
| 63756 | 8596 | " " Connecting Link with 21629... |
| 377C | 8596 | " " " " Hinge Screw.. |
| 1518E | 8596 | " " " " " Nut |
| 21629 | 8596 | " " " Stud with 155C.... |
| 155C | 8596 | " " " " Set Screw.... |
| 39350 | 8592 | " " Thread Nipper Driving Lever (adjustable) with 39351 and two 335J |
| 39351 | 8592 | Needle Bar Thread Nipper Driving Lever Extension..... |
| 335J | 8592 | Needle Bar Thread Nipper Driving Lever Extension Screw..... |
| 1196C | 8592 | Needle Bar Thread Nipper Driving Lever Hinge Screw..... |

| No. | Plate | Name |
|-------|-------|--|
| 39352 | 8592 | Needle Bar Thread Nipper Driving Lever Spring..... |
| 17834 | 8596 | Needle Bar Thread Nipper Lever with 17835..... |
| 17835 | 8596 | Needle Bar Thread Nipper Lever Bushing.. |
| 1200D | 8596 | " " " " " Hinge Screw..... |
| 39276 | 8596 | Needle Bar Thread Nipper Lever Spring... |
| 1329D | 8596 | " " " " " " Screw..... |
| 17837 | 8592 | Needle Bar Thread Nipper Rod..... |
| 17838 | 8592 | " " " " " Adjusting Stud..... |
| 1651E | 8592 | Needle Bar Thread Nipper Rod Adjusting Stud Lock Nut..... |
| 17839 | 8592 | Needle Bar Thread Nipper Rod Arm with 196F..... |
| 196F | 8592 | Needle Bar Thread Nipper Rod Arm Set Screw..... |
| 17840 | 8592 | Needle Bar Thread Nipper Rod Support.... |
| 190J | 8592 | " " " " " " Screw |
| 237F | 8596 | " Set Screw..... |
| 55278 | 8591 | Oscillating Rock Shaft with 4784 and 55453..... |
| 55452 | 8591 | Oscillating Rock Shaft Hinge Pin..... |
| 55453 | ---- | " " " " " " 55452 with 1513J..... |
| 1513J | 8591 | Oscillating Rock Shaft Hinge Pin Nut.... |
| 4784 | 8591 | " " " Oil Pad..... |
| 18385 | 8591 | " Shaft..... |
| 18386 | 8591 | " Crank..... |
| 18387 | ---- | Oscillating Shaft Crank complete, Nos. 237F, 1519E, 15171 and 18386..... |
| 2049 | 8591 | Oscillating Shaft Crank Pin..... |
| 237F | 8591 | " " " Set Screw..... |
| 15170 | 8591 | " " " Slide Block.... |
| 226E | 8591 | " " " " " Cap Screw..... |
| 12424 | 8591 | Oscillating Shaft Crank Slide Block Cap Screw Washer..... |
| 1035C | 8591 | Oscillating Shaft Crank Slide Block Screw Stud..... |
| 1519E | 8591 | Oscillating Shaft Crank Slide Block Screw Stud Nut..... |
| 15171 | ---- | Oscillating Shaft Crank Slide Block complete, Nos. 226E, 1035C, 12424 and 15170..... |
| 2058 | 8596 | Presser Bar..... |
| 17841 | 8596 | " " Collar with two 196F..... |
| 196F | 8596 | " " " Set Screw..... |

| No. | Plate | Name |
|---------|-------|--|
| 17842 | 8596 | Presser Bar Guide Bracket with 453C..... |
| 453C | 8596 | " " " " Set Screw..... |
| 17843 | 8592 | " " Lifting Lever..... |
| 17844 | 8592 | " " " " Bracket..... |
| 164E | 8592 | " " " " " Screw |
| 1201C | 8592 | " " " " Hinge Screw... |
| 17845 | 8592 | " " " " Rod..... |
| 17846 | 8592 | " " " " " Chain..... |
| 32875 | 8596 | " " Spring..... |
| 68712 | 8591 | Pulley (loose) 2 3/4 in. diam. with 200584D..... |
| 68713 | ---- | Pulley (loose) 68712 with 68714..... |
| 68714 | 8591 | " " Ball Bearing..... |
| 68715 | 8591 | " " Bushing..... |
| 51387R | 8591 | " " Cap Screw..... |
| 200584D | 8591 | " " Oil Plug Screw..... |
| 68716 | 8591 | " (tight) 2 7/8 in. diam..... |
| 68720 | ---- | " " 68716 with 1206C and 17854..... |
| 2022 | 8591 | Pulley (tight) Pin..... |
| 68717 | ---- | Pulleys (ball bearing) complete, Nos. 51387R, 68713, 68715 and 68720..... |
| 2996 | 8597 | Shuttle Bobbin..... |
| 15140 | 8597 | " " Case Latch..... |
| 2973 | 8597 | " " " " Lever..... |
| 2974 | 8597 | " " " " " Fulcrum Pin..... |
| 2975 | 8597 | Shuttle Bobbin Case Latch Spring..... |
| 592E | 8597 | " " " " Stop Screw.... |
| 15141 | 8597 | " " " Hinge, Nos. 2973, 2974 and 15140..... |
| 15277 | 8597 | Shuttle Bobbin Case complete, Nos. 591F, 592E, 2975, 15141 and 15278..... |
| 21562 | 8597 | Shuttle Body..... |
| 591F | 8597 | " Tension Regulating Screw..... |
| 15278 | 8597 | " " Spring..... |
| 21561 | 8597 | Shuttle, 1 11/16 in. diam., Nos. 2996, 15277 and 21562..... |
| 2441 | 8591 | Shuttle Driver with two 462C..... |
| 2049 | 8591 | " " Pin..... |
| 462C | 8591 | " " Set Screw..... |
| 18411 | 8597 | " Race Body..... |
| 21623 | 8597 | " " Cap..... |
| 662D | 8597 | " " " Screw..... |
| 2523 | 8597 | " " " Steady Pin..... |
| 16429 | 8597 | " " Ring..... |
| 55439 | 8597 | " " " Spring..... |
| 1289D | 8597 | " " " " Screw..... |
| 18430 | 8597 | Shuttle Race (flexible) complete, Nos. 662D, 2523, 18411, 18429, 21623 and two each 1289D and 55439..... |

| No. | Plate | Name |
|--------|-------|---|
| 171D | 8597 | Shuttle Race Screw..... |
| 17853 | 8598 | Starting Lever..... |
| 1262C | 8598 | " " Hinge Screw..... |
| 1662C | 8598 | " " " " Nut..... |
| 17886 | 8598 | " " Pitman..... |
| 17854 | 8591 | Stop Cam..... |
| 17855 | 8598 | " " Interlocking Rod..... |
| 55388 | 8598 | " " " " Case..... |
| 55389 | ---- | " " " " " 55388 with 18443 and two 193J..... |
| 55418 | ---- | Stop Cam Interlocking Rod Case 55389 with 63976 and two 1255D..... |
| 55285 | ---- | Stop Cam Interlocking Rod Case 55418 with 1318D,17855,17863,17864,39222 and 68739..... |
| 39346 | 8598 | Stop Cam Interlocking Rod Case Bracket.. |
| 55304 | ---- | Stop Cam Interlocking Rod Case Bracket complete, Nos. 1182E, 1196C, 1204E, 1254C,1262C,1508E,1662C,17853,17859, 17861,17862,17872,17873,39346,55285 and two 898D..... |
| 18493 | 8598 | Stop Cam Interlocking Rod Case Bracket 55304 with 39343,39344 and two 1186D |
| 16532 | 8598 | Stop Cam Interlocking Rod Case Bracket Dowel Pin..... |
| 1343E | 8598 | Stop Cam Interlocking Rod Case Bracket Screw..... |
| 1204E | 8598 | Stop Cam Interlocking Rod Case Hinge Screw..... |
| 17859 | 8598 | Stop Cam Interlocking Rod Case Socket Joint..... |
| 898D | 8598 | Stop Cam Interlocking Rod Case Socket Joint Cap Screw..... |
| 39343 | 8598 | Stop Cam Interlocking Rod Case Spring (flat)..... |
| 50682C | 8598 | Stop Cam Interlocking Rod Case Spring Adjusting Screw..... |
| 1520E | 8598 | Stop Cam Interlocking Rod Case Spring Adjusting Screw Nut..... |
| 39344 | 8598 | Stop Cam Interlocking Rod Case Spring Bracket with 1520E and 50682C..... |
| 1186D | 8598 | Stop Cam Interlocking Rod Case Spring Bracket Screw..... |
| 17861 | 8598 | Stop Cam Interlocking Rod Case Stop Stud |
| 1254C | 8598 | " " " " " " " " |
| 1508E | 8598 | Stop Cam Interlocking Rod Case Stop Stud Screw Bushing Lock Nut..... |
| 17862 | 8598 | Stop Cam Interlocking Rod Case Stop Stud Spring..... |

| No. | Plate | Name |
|-------|-------|--|
| 18443 | 8598 | Stop Cam Interlocking Rod Case Wearing Block..... |
| 193J | 8598 | Stop Cam Interlocking Rod Case Wearing Block Screw..... |
| 17863 | 8598 | Stop Cam Interlocking Rod Spring..... |
| 17864 | 8598 | " " " " Stop..... |
| 1318D | 8598 | " " " " " Screw.... |
| 68739 | 8598 | " " " " " " " Wash- er..... |
| 3012 | 8591 | Stop Cam Pin..... |
| 1206C | 8591 | " " Screw..... |
| 2102 | 8593 | Tension Disc..... |
| 1560C | 8593 | " Regulating Thumb Nut..... |
| 600C | 8593 | " Screw Stud..... |
| 16202 | ---- | " " " 600C with 1560C..... |
| 449C | 8593 | " " " Set Screw..... |
| 2103 | 8593 | " Spring..... |
| 2105 | 8593 | " Thread Guard..... |
| 58791 | 8593 | Tension complete, Nos. 2103, 2124, 16202 and two 2102..... |
| 18392 | 8591 | Thread Take-up Cam with 446C..... |
| 3012 | 8591 | " " " Pin..... |
| 446C | 8591 | " " " Set Screw..... |
| 55283 | 8591 | " " Lever with 79C and 1822.. |
| 79C | 8591 | " " " Hinge Screw..... |
| 1822 | 8591 | " " " Roller and Stud.... |
| 2124 | 8593 | " " Spring..... |
| 2127 | 8593 | " " " Regulator Plate... |
| 233J | 8593 | " " " " " Ad- justing Screw..... |
| 17865 | 8596 | Thread Wiper Body..... |
| 1207D | 8596 | " " " Hinge Screw..... |
| 17866 | 8596 | " " " Hook..... |
| 17867 | 8596 | " " " Support..... |
| 641C | 8596 | " " " " Set Screw.... |
| 17868 | 8596 | " " " Wire..... |
| 337D | 8596 | " " " " Screw..... |
| 17869 | 8596 | " " " " Washer.... |
| 55324 | 8597 | Throat Plate..... |
| 55327 | ---- | " " 55324 with 55325 and two 1208D |
| 55325 | 8597 | Throat Plate Needle Hole Bushing (large needle hole)..... |
| 1208D | 8597 | Throat Plate Needle Hole Bushing Screw.. |
| 55329 | 8597 | Throat Plate complete, Nos. 1698C,17828, 50018F,50117J,55321,55323 and 55327. |
| 691F | 8597 | Throat Plate Screw..... |
| 17872 | 8598 | Trip Lever..... |
| 1196C | 8598 | " " Hinge Screw..... |
| 17873 | 8598 | " " Spring..... |

PARTS FOR MACHINE No. 69-23

| No. | Plate | Name |
|--------|-------|------------------------------|
| 1182E | 8598 | Trip Lever Spring Screw..... |
| 17874 | 8594 | Tripping Point..... |
| 190J | 8594 | " " Screw..... |
| *15404 | ---- | Trade Mark..... |
| 15405 | ---- | " " Rivet..... |

ATTACHMENTS AND ACCESSORIES

| No. | Plate | Name |
|--------|-------|--|
| 18419 | 8599 | Cylinder Base Plate with two 453C..... |
| 18420 | 8599 | " " " Hinge Connection.... |
| 18423 | 8599 | " " " " " Hinge Pin..... |
| 453C | 8599 | Cylinder Base Plate Hinge Connection Hinge Pin Set Screw..... |
| 18424 | 8599 | Cylinder Base Plate (hinged) complete, Nos. 18419, two each 18420, 18423, three wood screws 1 1/4 in. No. 12 and four 134D..... |
| 134D | 8599 | Cylinder Base Plate Screw..... |
| 41400 | 8599 | Machine Rest Pin (wood)..... |
| 120346 | 8599 | Oiler (copper plated) with 120347..... |
| 120347 | 8599 | " Spout, 8 1/2 in. long..... |
| 11831 | 8599 | Screw Driver (large)..... |
| 26026 | 8599 | " " (machine)..... |
| 26485 | 8599 | " " (shuttle tension)..... |
| 10875 | 8599 | Wrench for 1518 and 1520..... |
| 27662 | 8599 | " " 1508..... |
| 17905 | 8599 | " " 1654 and 1676..... |
| 22003 | 8599 | " " 1651..... |

BOBBIN WINDER

(SWINGING AUTOMATIC, LEFT HAND)

| No. | Plate | Name |
|--------|-------|--|
| 41598 | 8600 | Base with 27916 and two 28084..... |
| 1186C | 8600 | " Screw..... |
| 15072 | 8600 | Bobbin Position Pin..... |
| 126391 | 8600 | Bracket for 41716..... |
| 129E | 8600 | " Screw..... |
| 27916 | 8600 | Brako (leather)..... |
| 28084 | 8600 | " Rivet..... |
| 27321 | 8600 | Frame..... |
| 50356D | 8600 | " Hinge Screw..... |
| 1620J | 8600 | " " " Nut..... |
| 41825 | 8600 | " Spring..... |
| 41600 | 8600 | Pulley with 155C..... |
| 155C | 8600 | " Set Screw..... |
| 27538 | 8600 | Spindle with 15072, 27850 and 41828..... |
| 27850 | 8600 | " Collar..... |
| 41828 | 8600 | " " Pin..... |
| 27328 | 8600 | Stop Latch..... |

Genuine Singer Needles should be used
in Singer Machines.
These Needles and their Containers
are marked with the
Company's Trade Mark "SIMANCO." 1

Needles in Containers marked
"For Singer Machines"
are not Singer made needles. 2

BOBBIN WINDER

| No. | Plate | Name |
|-------|-------|---|
| 35D | 8600 | Stop Latch Hinge Screw..... |
| 60769 | 8600 | Tension Bracket..... |
| 60770 | 8600 | Tension Bracket complete, Nos. 419E, 1562J, 8422, 9780, 43808, 60769 and two 2455..... |
| 9780 | 8600 | Tension Bracket Position Stud..... |
| 161J | 8600 | " " Screw..... |
| 2455 | 8600 | " Disc..... |
| 1562J | 8600 | " Regulating Thumb Nut..... |
| 419E | 8600 | " Screw Stud..... |
| 43808 | 8600 | " Spring..... |
| 8422 | 8600 | " Thread Guide..... |
| 41604 | ---- | Bobbin Winder, Nos. 35D, 1620J, 27321, 27328, 27538, 41598, 41600, 41825 and 50356D..... |
| 41716 | 8600 | Bobbin Winder (swinging automatic, left hand) complete for 126391, Nos. 161J, 41604, 60770 and two 1186C..... |

EYE AND FINGER GUARD

| No. | Plate | Name |
|---------|-------|--|
| 121603 | 8601 | Eye and Finger Guard (glass)..... |
| 121604 | 8601 | Carrying Arm..... |
| 1004K | 8601 | " " Hinge Screw (back)..... |
| 1698J | 8601 | " " " " " Nut..... |
| 50222K | 8601 | " " " " (front)..... |
| 1735J | 8601 | " " " " " Nut..... |
| 121605 | 8601 | " " Spring..... |
| 50435K | 8601 | Depressing Screw..... |
| 121606 | 8601 | " " Holder..... |
| 140061J | 8601 | " " " Screw..... |
| 121607 | 8601 | Frame..... |
| 121608 | ---- | " 121607 with 121603..... |
| 50165J | 8601 | " Screw..... |
| 121609 | 8601 | Guiding Rod..... |
| 50435K | 8601 | " " Hinge Screw..... |
| 121611 | 8601 | Holder..... |
| 121612 | 8601 | Supporting Bracket..... |
| 191J | 8601 | " " " Screw..... |
| 121613 | ---- | Eye and Finger Guard complete, Nos. 1004K, 1698J, 1735J, 50222K, 50435K, 121604, 121605, 121608, 121609, 121611, 121612 and two 50165J..... |
| 68740 | ---- | Face Plate..... |
| 68741 | 8601 | " " 68740 with 2105..... |
| 68742 | ---- | Face Plate complete, Nos. 448C, 2107, 2127, 56791, 68741 and two 233J..... |

EYE AND FINGER GUARD

| No. | Plate | Name |
|--------|-------|--|
| 164D | 8601 | Face Plate Screw..... |
| 2107 | 8601 | " " Thread Guard..... |
| 233J | 8601 | " " " " Screw..... |
| 2102 | 8601 | Tension Disc..... |
| 1560C | 8601 | " Regulating Thumb Nut..... |
| 600C | 8601 | " Screw Stud..... |
| 16202 | ---- | " " " 600C with 1560C..... |
| 448C | 8601 | " " " Set Screw..... |
| 2103 | 8601 | " Spring..... |
| 2105 | 8601 | " Thread Guard..... |
| 56791 | 8593 | Tension complete, Nos. 2103, 2124, 16202 and two 2102..... |
| 2124 | 8601 | Thread Take-up Spring..... |
| 2127 | 8601 | " " " Regulator Plate... |
| 233J | 8601 | " " " " " Ad- justing Screw..... |
| 121626 | 8601 | Eye and Finger Guard with Face Plate complete, Nos. 50435K, 68742, 121606, 121613, 140061J and two 191J..... |

STARTING LEVER AND FOOT
LIFTER PARTS

| No. | Plate | Name |
|-------|-------|--|
| 17876 | 8602 | Treadle with 443C..... |
| 17877 | 8602 | " Pitman Rod (lower)..... |
| 17878 | 8602 | " " " (upper)..... |
| 17879 | 8602 | " " " Clamp with two 161E.. |
| 161 E | 8602 | " " " " Screw..... |
| 17880 | 8602 | Treadle Pitman complete, Nos. 17877 to 17879..... |
| 17881 | 8602 | Treadle Shaft..... |
| 443C | 8602 | " " Set Screw..... |
| 17882 | 8602 | " Spring..... |
| 17883 | 8602 | " Stand..... |
| 17884 | 8602 | Treadle complete, Nos. 17876, 17881 to 17883 and two wood screws 1 in. No. 10..... |
| 17885 | ---- | Treadle and Pitman complete, Nos. 17880 and 17884..... |

TABLE BELT GUIDE

| No. | Plate | Name |
|-------|-------|--|
| 39218 | 8602 | Belt Guide with two 168E..... |
| 168E | 8602 | " " Set Screw..... |
| 17892 | 8602 | Bracket with two 153E..... |
| 17893 | 8602 | Pulley..... |
| 39219 | 8602 | " Shaft (long) with 17896 and 63973 |
| 63973 | 8602 | " " " Wick (braided cotton) |
| 39220 | 8602 | " " (short) with 17896 and 63974 |
| 63974 | 8602 | " " " Wick (braided cotton) |
| 17896 | 8602 | " " Plug..... |
| 153E | 8602 | " " Set Screw..... |
| 39221 | 8602 | Table Belt Guide complete, Nos. 17892, 39219,39220,two each 17893,39218 and three wood screws 1 1/4 in. No. 12.. |

THREAD UNWINDER

FOR TWO SPOOLS OR TWO LARGE CONES OF THREAD

| No. | Plate | Name |
|---------|-------|--|
| 225257 | 22248 | Spool Rest with 201018C..... |
| 150203 | 22248 | " " Cushion (felt)..... |
| 225388 | 22248 | " " Rod..... |
| 200383C | 22248 | " " " Set Screw..... |
| 201018C | 22248 | " " Set Screw..... |
| 202490 | 22248 | " Stand with 200383C..... |
| 225391 | 22248 | Thread Guide..... |
| 201696J | 22248 | " " Lock Nut..... |
| 225326 | 22248 | " " Position Cup..... |
| 225324 | 22248 | " " Rod with 208E and 225322... |
| 208E | 22248 | " " " Screw..... |
| 225322 | 22248 | " " " Washer..... |
| 225258 | 22248 | Thread Unwinder complete, Nos. 201696J, 202490,225257,225324,225326,225388, two each 150203, 225391 and three wood screws 7/8 in. No. 12 F.H..... |
| 27739 | 22248 | Thread Cone (wood) for large cones..... |
| 225390 | 22248 | " " Holder, for inverted cones.. |

Note: Nos. 27739 and 225390 are used with, but not included in 225258.

NUMERICAL LIST OF PARTS

| No. | Plate | Name |
|------|-------|--|
| 35D | 8600 | Bobbin Winder Stop Latch Hinge Screw for 41604..... |
| 79C | 8591 | Thread Take-up Lever Hinge Screw for 55283..... |
| 129E | 8600 | Bobbin Winder Bracket Screw..... |
| 134D | 8599 | Cylinder Base Plate Screw for 18424..... |
| 145E | 8591 | Crank Connecting Rod Cap Screw for 4292. |
| 153E | 8602 | Table Belt Guide Pulley Shaft Set Screw for 17892..... |
| 155C | 8600 | Bobbin Winder Pulley Set Screw for 41600 |
| 155C | 8596 | Needle Bar Connecting Stud Set Screw for 21629..... |
| 160E | 8591 | Feed Across Shaft Crank (back) Clamping Screw for 18360..... |
| 160E | 8591 | Feed Across Shaft Crank (front) Clamping Screw for 18362..... |
| 160D | 8595 | Feed Regulator Bracket Cap Screw for 18469..... |
| 161J | 8600 | Bobbin Winder Tension Bracket Screw for 41716..... |
| 161E | 8602 | Starting Lever and Foot Lifter Treadle Pitman Rod Clamp Screw for 17879.... |
| 164D | 8593 | Face Plate Screw..... |
| 164E | 8592 | Presser Bar Lifting Lever Bracket Screw for 55405..... |
| 168E | 8602 | Table Belt Guide Set Screw for 39218.... |
| 171D | 8597 | Shuttle Race Screw..... |
| 181D | 8590 | Arch Clamp Frame Screw for 55394..... |
| 184E | 8591 | Belt Cover Bracket Screw Stud for 39290. |
| 190J | 8596 | Arch Clamp Foot Lifter Screw..... |
| 190J | 8590 | " " " Plate Screw for 55394... |
| 190J | 8591 | Arm Side Cover Screw..... |
| 190J | 8592 | Knife Bar Connection Screw..... |
| 190J | 8592 | " " Driving Lever Lock Stud Spring Screw for 39297..... |
| 190J | 8592 | Needle Bar Thread Nipper Rod Support Screw..... |
| 190J | 8594 | Tripping Point Screw for 55430..... |
| 191J | 8601 | Eye and Finger Guard Supporting Bracket Screw for 121626..... |
| 193J | 8598 | Stop Cam Interlocking Rod Case Wearing Block Screw for 55389..... |
| 196F | 8592 | Needle Bar Thread Nipper Rod Arm Set Screw for 17839..... |
| 196F | 8596 | Presser Bar Collar Set Screw for 17841.. |
| 200F | 8591 | Feed Across Shaft Collar Set Screw for 18359..... |

NUMERICAL LIST OF PARTS

| No. | Plate | Name |
|------|-------|---|
| 200C | 8591 | Feed Across Shaft Crank (back) Ball Stud Set Screw for 18360..... |
| 208E | 22248 | Thread Unwinder Thread Guide Rod Screw for 225324..... |
| 217J | 8591 | Belt Cover Screw..... |
| 217E | 8597 | Cylinder End Cover Spring Screw..... |
| 217J | 8592 | Knife Bar Cap Screw..... |
| 219K | 8590 | Arch Clamp Foot Screw for 55391 and 55393..... |
| 226E | 8591 | Oscillating Shaft Crank Slide Block Cap Screw for 15171..... |
| 233J | 8593 | Face Plate Thread Guard Screw for 17725 and 68742..... |
| 233J | 8593 | Thread Take-up Spring Regulator Plate Adjusting Screw for 17725 and 68742.. |
| 237F | 8596 | Needle Set Screw for 17831..... |
| 237F | 8591 | Oscillating Shaft Crank Set Screw for 18387..... |
| 335J | 8592 | Needle Bar Thread Nipper Driving Lever Extension Screw for 39350..... |
| 337D | 8596 | Thread Wiper Body Wire Screw..... |
| 375C | 8591 | Crank Connecting Rod Hinge Screw..... |
| 377C | 8596 | Needle Bar Connecting Link Hinge Screw.. |
| 419E | 8600 | Bobbin Winder Tension Screw Stud for 60770..... |
| 443C | 8602 | Starting Lever and Foot Lifter Treadle Shaft Set Screw for 17876..... |
| 446C | 8591 | Thread Take-up Cam Set Screw for 18392.. |
| 448C | 8593 | Tension Screw Stud Set Screw for 17725 and 68742..... |
| 453C | 8599 | Cylinder Base Plate Hinge Connection Hinge Pin Set Screw for 18419..... |
| 453C | 8594 | Feed Cam Driving Worm Wheel Set Screw for 17797..... |
| 453C | 8596 | Presser Bar Guide Bracket Set Screw for 17842..... |
| 462C | 8591 | Shuttle Driver Set Screw for 2441..... |
| 591F | 8597 | " Tension Regulating Screw for 15277 |
| 592E | 8597 | " Bobbin Case Latch Stop Screw for 15277..... |
| 600C | 8593 | Tension Screw Stud for 16202..... |
| 641C | 8596 | Thread Wiper Body Support Set Screw.... |
| 662D | 8597 | Shuttle Race Cap Screw for 18430..... |
| 670E | 8592 | Knife Cam Lever Bracket Screw..... |
| 690D | 8595 | Feed Across Regulator Hinge Stud Clamp- ing Screw for 18469..... |
| 691F | 8597 | Throat Plate Screw..... |
| 810D | 8590 | Feed Regulator Post Guide Cap Screw for 18486..... |
| 880E | 8591 | Arm Screw..... |

NUMERICAL LIST OF PARTS

| No. | Plate | Name |
|-------|-------|---|
| 898D | 8598 | Stop Cam Interlocking Rod Case Socket Joint Cap Screw for 55304..... |
| 934J | 8590 | Feed Plate Carrier Bar Plate Screw for 18486..... |
| 1004K | 8601 | Eye and Finger Guard Carrying Arm Hinge Screw (back) for 121613..... |
| 1035C | 8591 | Oscillating Shaft Crank Slide Block Screw Stud for 15171..... |
| 1057E | 8595 | Feed Across Connection Cap (lower) Screw for 55376..... |
| 1057E | 8595 | Feed Across Connection Cap (upper) Screw for 55376..... |
| 1177E | 8595 | Feed Regulator Bracket Screw..... |
| 1177D | 8592 | Knife Cam Lever Hinge Screw Bushing Clamping Screw for 18470..... |
| 1182E | 8598 | Trip Lever Spring Screw for 55304..... |
| 1186C | 8600 | Bobbin Winder Base Screw for 41716..... |
| 1186D | 8598 | Stop Cam Interlocking Rod Case Spring Bracket Screw for 18493..... |
| 1191D | 8595 | Feed Regulator Thumb Screw..... |
| 1192C | 3594 | " Cam Set Screw for 55430..... |
| 1194D | 8590 | " Plate Carrier Bar Pivot Block Screw |
| 1195E | 8590 | " " Screw Stud for 18486..... |
| 1196C | 8592 | Needle Bar Thread Nipper Driving Lever Hinge Screw..... |
| 1196C | 8598 | Trip Lever Hinge Screw for 55304..... |
| 1198C | 8597 | Knife Screw for 55323..... |
| 1200D | 8596 | Needle Bar Thread Nipper Lever Hinge Screw..... |
| 1201C | 8592 | Presser Bar Lifting Lever Hinge Screw... |
| 1204E | 8598 | Stop Cam Interlocking Rod Case Hinge Screw for 55304..... |
| 1206C | 8591 | Stop Cam Screw for 68720..... |
| 1207D | 8596 | Thread Wiper Body Hinge Screw..... |
| 1208D | 8597 | Throat Plate Needle Hole Bushing Screw for 55327..... |
| 1221F | 8590 | Feed Plate Carrier Bar Block Screw for 18486..... |
| 1229F | 8590 | Arch Clamp Foot Spring Adjusting Screw for 55394..... |
| 1254C | 8598 | Stop Cam Interlocking Rod Case Stop Stud Screw Bushing for 55304..... |
| 1255D | 8598 | Belt Shifter Clamp Screw for 55418..... |
| 1255J | 8592 | Knife Cam Lever Slide Screw for 39460... |
| 1262C | 8598 | Starting Lever Hinge Screw for 55304.... |
| 1289D | 8597 | Shuttle Race Ring Spring Screw for 18430 |
| 1300D | 8590 | Cylinder Block Screw..... |
| 1318D | 8598 | Stop Cam Interlocking Rod Stop Screw for 55285..... |
| 1329D | 8596 | Needle Bar Thread Nipper Lever Spring Screw..... |

NUMERICAL LIST OF PARTS

| No. | Plate | Name |
|-------|-------|--|
| 1343E | 8598 | Stop Cam Interlocking Rod Case Bracket Screw..... |
| 1382F | 8592 | Knife Bar Driving Lever Hinge Screw..... |
| 1420E | 8592 | " " " " Lock Stud Stop Screw for 39297..... |
| 1441C | 8591 | Feed Cam Driving Worm Set Screw for 18415..... |
| 1442C | 8591 | Feed Cam Driving Worm Position Screw for 18415..... |
| 1508E | 8598 | Stop Cam Interlocking Rod Case Stop Stud Screw Bushing Lock Nut for 55304.... |
| 1513J | 8591 | Oscillating Rock Shaft Hinge Pin Nut for 55453..... |
| 1518E | 8591 | Crank Connecting Rod Hinge Screw Nut.... |
| 1518E | 8596 | Needle Bar Connecting Link Hinge Screw Nut..... |
| 1519E | 8591 | Oscillating Shaft Crank Slide Block Screw Stud Nut for 18387..... |
| 1520E | 8591 | Arm Shaft Bushing (back) Adjusting Screw Nut..... |
| 1520E | 8598 | Stop Cam Interlocking Rod Case Spring Adjusting Screw Nut for 39344..... |
| 1547J | 8590 | Arch Clamp Foot Spring Adjusting Screw Lock Nut for 55394..... |
| 1560C | 8593 | Tension Regulating Thumb Nut for 16202.. |
| 1562J | 8600 | Bobbin Winder Tension Regulating Thumb Nut for 60770..... |
| 1620J | 8600 | Bobbin Winder Frame Hinge Screw Nut for 41604..... |
| 1651E | 8592 | Needle Bar Thread Nipper Rod Adjusting Stud Lock Nut..... |
| 1653C | 8594 | Feed Cam Shaft Nut..... |
| 1654C | 8590 | " Plate Nut for 55394..... |
| 1654C | 8592 | Knife Cam Lever Roller and Screw Stud Nut for 1980..... |
| 1655C | 8595 | Feed Regulator Roller and Screw Stud Nut for 1953..... |
| 1662C | 8598 | Starting Lever Hinge Screw Nut for 55304 |
| 1676C | 8595 | Feed Across Regulator Ball Screw Stud Nut..... |
| 1681C | 8592 | Knife Bar Driving Lever Hinge Screw Nut.. |
| 1698J | 8601 | Eye and Finger Guard Carrying Arm Hinge Screw (back) Nut for 121613..... |
| 1698C | 8597 | Knife Holder Pinion Stud Bracket Screw Nut for 55329..... |
| 1735J | 8601 | Eye and Finger Guard Carrying Arm Hinge Screw (front) Nut for 121613..... |
| 1822 | 8591 | Thread Take-up Lever Roller and Stud for 55283..... |
| 1952 | 8595 | Feed Across Regulator Roller and Stud for 18356..... |

NUMERICAL LIST OF PARTS

| No. | Plate | Name |
|-------|-------|--|
| 1953 | 8595 | Feed Regulator Roller and Screw Stud with 1655C and 14017, for 39361..... |
| 1980 | 8592 | Knife Cam Lever Roller and Screw Stud with 1654C, for 39330..... |
| 2022 | 8591 | Pulley (tight) Pin..... |
| 2049 | 8591 | Oscillating Shaft Crank Pin..... |
| 2049 | 8591 | Shuttle Driver Pin..... |
| 2058 | 8596 | Presser Bar..... |
| 2102 | 8593 | Tension Disc for 56791..... |
| 2103 | 8593 | " Spring for 56791..... |
| 2105 | 8593 | " Thread Guard for 17725 and 68741 |
| 2107 | 8593 | Face Plate Thread Guard for 17725 and 68742..... |
| 2124 | 8593 | Thread Take-up Spring for 56791..... |
| 2127 | 8593 | " " " Regulator Plate for 17725 and 68742..... |
| 2441 | 8591 | Shuttle Driver with two 462C..... |
| 2455 | 8600 | Bobbin Winder Tension Disc for 60770.... |
| 2523 | 8597 | Shuttle Race Cap Steady Pin for 18430... |
| 2973 | 8597 | " Bobbin Case Latch Lever for 15141 |
| 2974 | 8597 | " " " " Fulcrum Pin for 15141..... |
| 2975 | 8597 | Shuttle Bobbin Case Latch Spring for 15277..... |
| 2996 | 8597 | Shuttle Bobbin for 21561..... |
| 3012 | 8591 | Stop Cam Pin..... |
| 3012 | 8591 | Thread Take-up Cam Pin..... |
| 4292 | 8591 | Crank Connecting Rod with two 145E..... |
| 4389 | 8591 | Arm Dowel Pin..... |
| 4448 | 8591 | " Oil Tube for intermediate bearing... |
| 4604 | 8597 | Cylinder End Cover Bracket Rivet for 18427..... |
| 4784 | 8591 | Oscillating Rock Shaft Oil Pad for 55278 |
| 7071 | 8592 | Knife Bar Connection Screw Washer..... |
| 7298 | 8597 | " Holder Pinion Dowel Pin for 17825.. |
| 8422 | 8600 | Bobbin Winder Tension Thread Guide for 60770..... |
| 8505 | 8590 | Feed Plate Screw Stud Rivet for 16486... |
| 8589 | 8595 | " Regulator Bracket Dowel Pin..... |
| 8589 | 8592 | Knife Cam Lever Bracket Dowel Pin..... |
| 9780 | 8600 | Bobbin Winder Tension Bracket Position Stud for 60770..... |
| 10875 | 8599 | Wrench for 1518 and 1520 (Attachments and Accessories)..... |
| 11831 | 8599 | Screw Driver (large) Attachments and Accessories..... |
| 12424 | 8591 | Oscillating Shaft Crank Slide Block Cap Screw Washer for 15171..... |
| 14017 | 8595 | Feed Regulator Roller and Screw Stud Nut Washer for 1953..... |

NUMERICAL LIST OF PARTS

| No. | Plate | Name |
|--------|-------|---|
| 14079 | 8590 | Arch Clamp Frame Dowel Pin for 55394.... |
| 15072 | 8600 | Bobbin Winder Bobbin Position Pin for 27538..... |
| 15140 | 8597 | Shuttle Bobbin Case Latch for 15141..... |
| 15141 | 8597 | " " " Hinge, Nos. 2973, 2974 and 15140, for 15277..... |
| 15170 | 8591 | Oscillating Shaft Crank Slide Block for 15171..... |
| 15171 | ----- | Oscillating Shaft Crank Slide Block com- plete, for 18387, Nos. 226E, 1035C, 12424 and 15170..... |
| 15277 | 8597 | Shuttle Bobbin Case complete for 21561, Nos. 591F, 592E, 2975, 15141 and 15278. |
| 15278 | 8597 | Shuttle Tension Spring for 15277..... |
| *15404 | ----- | Trade Mark for 55405..... |
| 15405 | ----- | " " Rivet for 55405..... |
| 16202 | ----- | Tension Screw Stud 600C with 1560C, for 56791..... |
| 16532 | 8598 | Stop Cam Interlocking Rod Case Bracket Dowel Pin..... |
| 17702 | 8591 | Arm Shaft..... |
| 17703 | 8591 | " " Bushing (back)..... |
| 17724 | 8593 | Face Plate for 17725..... |
| 17725 | 8593 | Face Plate complete, Nos. 448C, 2105, 2107, 2127, 17724, 56791 and two 233J..... |
| 17738 | 8595 | Feed Across Regulator Ball Screw Stud Nut Washer..... |
| 17741 | 8591 | Belt Cover Bracket Stud for 39290..... |
| 17744 | 8595 | Feed Regulator Hinge Stud..... |
| 17797 | 8594 | " Cam Driving Worm Wheel with 453C... |
| 17805 | 8590 | " Plate Carrier Bar Pivot Block..... |
| 17806 | 8590 | " " Position Stud for 18486..... |
| 17822 | 8592 | Knife Bar Rack Rivet for 18370..... |
| 17825 | 8597 | " Holder with 17830 and two 7298, for 55323..... |
| 17827 | 8597 | Knife Holder Pinion Stud for 17828..... |
| 17828 | 8597 | " " " " Bracket with 17827, for 55329..... |
| 17829 | 8597 | Knife Thread Holder for 55323..... |
| 17830 | 8597 | " " " Position Pin for 17825 |
| 17831 | 8596 | Needle Bar with 237F..... |
| 17834 | 8596 | Needle Bar Thread Nipper Lever with 17835..... |
| 17835 | 8596 | Needle Bar Thread Nipper Lever Bushing for 17834..... |
| 17837 | 8592 | Needle Bar Thread Nipper Rod..... |
| 17838 | 8592 | " " " " " Adjusting Stud..... |
| 17839 | 8592 | Needle Bar Thread Nipper Rod Arm with 196F..... |

NUMERICAL LIST OF PARTS

| No. | Plate | Name |
|-------|-------|--|
| 17840 | 8592 | Needle Bar Thread Nipper Rod Support.... |
| 17841 | 8596 | Presser Bar Collar with two 196F..... |
| 17842 | 8596 | " " Guide Bracket with 453C..... |
| 17843 | 8592 | " " Lifting Lever..... |
| 17844 | 8592 | " " " " Bracket for 55405..... |
| 17845 | 8592 | Presser Bar Lifting Lever Rod..... |
| 17846 | 8592 | " " " " " Chain..... |
| 17853 | 8598 | Starting Lever for 55304..... |
| 17854 | 8591 | Stop Cam for 68720..... |
| 17855 | 8598 | " " Interlocking Rod for 55285..... |
| 17859 | 8598 | " " " " Case Socket Joint for 55304..... |
| 17861 | 8598 | Stop Cam Interlocking Rod Case Stop Stud for 55304..... |
| 17862 | 8598 | Stop Cam Interlocking Rod Case Stop Stud Spring for 55304..... |
| 17863 | 8598 | Stop Cam Interlocking Rod Spring for 55285..... |
| 17864 | 8598 | Stop Cam Interlocking Rod Stop for 55285 |
| 17865 | 8596 | Thread Wiper Body..... |
| 17866 | 8596 | " " " Hook for 17958..... |
| 17867 | 8596 | " " " Support..... |
| 17868 | 8596 | " " " Wire..... |
| 17869 | 8596 | " " " " Screw Washer.... |
| 17872 | 8598 | Trip Lever for 55304..... |
| 17873 | 8598 | " " Spring for 55304..... |
| 17874 | 8594 | Tripping Point for 55430..... |
| 17876 | 8602 | Starting Lever and Foot Lifter Treadle with 443C, for 17884..... |
| 17877 | 8602 | Starting Lever and Foot Lifter Treadle Pitman Rod (lower) for 17880..... |
| 17878 | 8602 | Starting Lever and Foot Lifter Treadle Pitman Rod (upper) for 17880..... |
| 17879 | 8602 | Starting Lever and Foot Lifter Treadle Pitman Rod Clamp with two 161E, for 17880..... |
| 17880 | 8602 | Starting Lever and Foot Lifter Treadle Pitman complete for 17885, Nos. 17877 to 17879..... |
| 17881 | 8602 | Starting Lever and Foot Lifter Treadle Shaft for 17884..... |
| 17882 | 8602 | Starting Lever and Foot Lifter Treadle Spring for 17884..... |
| 17883 | 8602 | Starting Lever and Foot Lifter Treadle Stand for 17884..... |
| 17884 | 8602 | Starting Lever and Foot Lifter Treadle complete for 17885, Nos. 17876, 17881 to 17883 and two wood screws 1 in. No. 10..... |

NUMERICAL LIST OF PARTS

| No. | Plate | Name |
|-------|-------|---|
| 17885 | ----- | Starting Lever and Foot Lifter Treadle and Pitman complete, Nos. 17880 and 17884..... |
| 17886 | 8598 | Starting Lever Pitman..... |
| 17892 | 8602 | Table Belt Guide Bracket with two 153E, for 39221..... |
| 17893 | 8602 | Table Belt Guide Pulley for 39221..... |
| 17896 | 8602 | " " " " Shaft Plug for 39219 and 39220..... |
| 17905 | 8599 | Wrench for 1654 and 1676 (Attachments and Accessories)..... |
| 17915 | 8592 | Knife Bar Connection Slide Block for 17917..... |
| 17916 | 8592 | Knife Bar Connection Slide Block Stud for 17917..... |
| 17917 | ----- | Knife Bar Connection Slide Block 17915 with 17916, for 18372..... |
| 17919 | 8592 | Knife Bar Driving Lever Lock Stud Spring for 39297..... |
| 17958 | 8596 | Arch Clamp Foot Lifter with 17866..... |
| 18356 | 8595 | Feed Across Regulator with 1952..... |
| 18357 | 8595 | " " " Hinge Stud..... |
| 18358 | 8591 | " " Shaft..... |
| 18359 | 8591 | " " Collar with two 200F.. |
| 18360 | 8591 | " " Crank (back) with 160E and 200C..... |
| 18362 | 8591 | Feed Across Shaft Crank (front) with 160E and 18363..... |
| 18363 | 8591 | Feed Across Shaft Crank (front) Stud for 18362..... |
| 18364 | 8590 | Feed Across Shaft Crank (front) Stud Slide Block..... |
| 18366 | 8590 | Feed Plate Carrier Bar Block for 18486.. |
| 18367 | 8590 | " " " " Cover for 55394..... |
| 18370 | 8592 | Knife Bar with 18373 and two 17822..... |
| 18371 | 8592 | " " Cap..... |
| 18372 | 8592 | " " Connection with 17917..... |
| 18373 | 8592 | " " Rack for 18370..... |
| 18379 | 8597 | Cylinder End Cover Spring..... |
| 18384 | 8594 | Feed Cam Driving Worm Wheel Pin..... |
| 18384 | 8594 | " " Pin..... |
| 18385 | 8591 | Oscillating Shaft..... |
| 18386 | 8591 | " " Crank for 18387..... |
| 18387 | ----- | Oscillating Shaft Crank complete, Nos. 237F, 1519E, 15171 and 18386..... |
| 18388 | 8590 | Cylinder Block..... |
| 18390 | 8590 | Feed Plate Carrier Bar Plate for 18486.. |
| 18392 | 8591 | Thread Take-up Cam with 446C..... |
| 18411 | 8597 | Shuttle Race Body for 18430..... |

NUMERICAL LIST OF PARTS

| No. | Plate | Name |
|-------|-------|---|
| 18415 | 8591 | Feed Cam Driving Worm with 1441C and 1442C..... |
| 18419 | 8599 | Cylinder Base Plate with two 453C, for 18424..... |
| 18420 | 8599 | Cylinder Base Plate Hinge Connection for 18424..... |
| 18423 | 8599 | Cylinder Base Plate Hinge Connection Hinge Pin for 18424..... |
| 18424 | 8599 | Cylinder Base Plate (hinged) complete, Nos.18419, two each 18420,18423, three wood screws 1 1/4 in. No. 12 and four 134D (Attachments and Accessories)..... |
| 18427 | 8597 | Cylinder End Cover with 18428, 18444 and three 4604..... |
| 18428 | 8597 | Cylinder End Cover Bracket for 18427.... |
| 18429 | 8597 | Shuttle Race Ring for 18430..... |
| 18430 | 8597 | Shuttle Race (flexible) complete, Nos. 662D,2523,18411,18429,21623 and two each 1289D and 55439..... |
| 18443 | 8598 | Stop Cam Interlocking Rod Case Wearing Block for 55389..... |
| 18444 | 8597 | Cylinder End Cover Bracket Hinge Pin for 18427..... |
| 18469 | 8595 | Feed Regulator Bracket with 690D and two 160D..... |
| 18470 | 8592 | Knife Cam Lever Bracket with 1177D..... |
| 18471 | 8592 | " " " Hinge Screw Bushing for 18472..... |
| 18472 | ----- | Knife Cam Lever Hinge Screw Bushing 18471 with 50029C..... |
| 18477 | 8590 | Arch Clamp Foot Plate for 55394..... |
| 18486 | 8590 | Feed Plate Carrier Bar with 810D, 934J, 1195E,1221F,8505,18366,18390,18488, 18489, two 55300 and four 17806, for 55394..... |
| 18488 | 8590 | Feed Regulator Post for 18486..... |
| 18489 | 8590 | " " " Guide for 18486..... |
| 18493 | 8598 | Stop Cam Interlocking Rod Case Bracket 55304 with 39343,39344 and two 1186D |
| 18498 | 8591 | Belt Cover..... |
| 19793 | 8592 | Knife Cam Lever Steady Pin for 39329.... |
| 21561 | 8597 | Shuttle, 1 11/16 in. diam., Nos. 2996, 15277 and 21562..... |
| 21562 | 8597 | Shuttle Body for 21561..... |
| 21623 | 8597 | " Race Cap for 18430..... |
| 21629 | 8596 | Needle Bar Connecting Stud with 155C,for 63756..... |
| 22003 | 8599 | Wrench for 1651 (Attachments and Accessories)..... |

NUMERICAL LIST OF PARTS

| No. | Plate | Name |
|-------|-------|---|
| 26026 | 8599 | Screw Driver (machine) Attachments and Accessories..... |
| 26485 | 8599 | Screw Driver (shuttle tension) Attachments and Accessories..... |
| 27321 | 8600 | Bobbin Winder Frame for 41604..... |
| 27328 | 8600 | " " Stop Latch for 41604..... |
| 27538 | 8600 | " " Spindle with 15072, 27850 and 41828, for 41604..... |
| 27662 | 8599 | Wrench for 1508 (Attachments and Accessories)..... |
| 27739 | 22248 | Thread Unwinder Thread Cone (wood) for large cones for 225258..... |
| 27850 | 8600 | Bobbin Winder Spindle Collar for 27538.. |
| 27916 | 8600 | " " Brake (leather) for 41598. |
| 28084 | 8600 | " " Rivet for 41598..... |
| 32675 | 8596 | Presser Bar Spring..... |
| 39218 | 8602 | Table Belt Guide with two 168E, for 39221..... |
| 39219 | 8602 | Table Belt Guide Pulley Shaft (long) with 17896 and 63973, for 39221.... |
| 39220 | 8602 | Table Belt Guide Pulley Shaft (short) with 17896 and 63974, for 39221.... |
| 39221 | 8602 | Table Belt Guide complete, Nos. 17892, 39219, 39220, two each 17893, 39218 and three wood screws 1 1/4 in. No. 12.. |
| 39222 | 8598 | Belt Shifter for 55285..... |
| 39235 | 8592 | Knife Cam Lever Body for 39409..... |
| 39276 | 8596 | Needle Bar Thread Nipper Lever Spring.. |
| 39290 | 8591 | Belt Cover Bracket with 184E and 17741.. |
| 39297 | 8592 | Knife Bar Driving Lever with 190J, 1420E, 17919 and 39298..... |
| 39298 | 8592 | Knife Bar Driving Lever Lock Stud for 39297..... |
| 39313 | 8595 | Feed Regulator Swivel..... |
| 39329 | ----- | Knife Cam Lever complete, Nos. 19793 and 39409..... |
| 39330 | 8592 | Knife Cam Lever Slide with 1980, for 39460..... |
| 39331 | 8592 | Knife Cam Lever Slide Screw Washer for 39460..... |
| 39343 | 8598 | Stop Cam Interlocking Rod Case Spring (flat) for 18493..... |
| 39344 | 8598 | Stop Cam Interlocking Rod Case Spring Bracket with 1520E and 50682C, for 18493..... |
| 39346 | 8598 | Stop Cam Interlocking Rod Case Bracket for 55304..... |
| 39350 | 8592 | Needle Bar Thread Nipper Driving Lever (adjustable) with 39351 and two 335J |
| 39351 | 8592 | Needle Bar Thread Nipper Driving Lever Extension for 39350..... |

NUMERICAL LIST OF PARTS

| No. | Plate | Name |
|--------|-------|---|
| 39352 | 8592 | Needle Bar Thread Nipper Driving Lever Spring..... |
| 39361 | 8595 | Feed Regulator with 1953..... |
| 39409 | ----- | Knife Cam Lever Body 39235 with 39460, for 39329..... |
| 39460 | ----- | Knife Cam Lever Slide 39330 with 1255J and 39331, for 39409..... |
| 41400 | 8599 | Machine Rest Pin (wood) Attachments and Accessories..... |
| 41598 | 8600 | Bobbin Winder Base with 27916 and two 28084, for 41604..... |
| 41600 | 8600 | Bobbin Winder Pulley with 155C, for 41604..... |
| 41604 | ----- | Bobbin Winder, Nos. 35D, 1620J, 27321, 27328, 27538, 41598, 41600, 41825 and 50356D, for 41716..... |
| 41716 | 8600 | Bobbin Winder (swinging automatic, left hand) complete for 126391, Nos. 161J, 41604, 60770 and two 1186C..... |
| 41825 | 8600 | Bobbin Winder Frame Spring for 41604.... |
| 41828 | 8600 | Bobbin Winder Spindle Collar Pin for 27538..... |
| 43808 | 8600 | Bobbin Winder Tension Spring for 60770.. |
| 50018F | 8597 | Knife Holder Pinion Stud Bracket Screw for 55329..... |
| 50029C | 8592 | Knife Cam Lever Hinge Screw for 18472.. |
| 50117J | 8597 | " (stationary) Screw for 55329..... |
| 50165J | 8601 | Eye and Finger Guard Frame Screw for 121613..... |
| 50222K | 8601 | Eye and Finger Guard Carrying Arm Hinge Screw (front) for 121613..... |
| 50333C | 8591 | Arm Shaft Bushing (back) Adjusting Screw |
| 50356D | 8600 | Bobbin Winder Frame Hinge Screw for 41604..... |
| 50435K | 8601 | Eye and Finger Guard Depressing Screw for 121626..... |
| 50435K | 8601 | Eye and Finger Guard Guiding Rod Hinge Screw for 121613..... |
| 50598C | 8595 | Feed Across Regulator Ball Screw Stud for 55378..... |
| 50682C | 8598 | Stop Cam Interlocking Rod Case Spring Adjusting Screw for 39344..... |
| 51387R | 8591 | Pulley (loose) Cap Screw for 68717..... |
| 55278 | 8591 | Oscillating Rock Shaft with 4784 and 55453..... |
| 55283 | 8591 | Thread Take-up Lever with 79C and 1822.. |
| 55285 | ----- | Stop Cam Interlocking Rod Case 55418 with 1318D, 17855, 17863, 17864, 39222 and 68739, for 55304..... |
| 55300 | 8590 | Feed Plate Carrier Bar Block Steady Pin for 18486..... |

NUMERICAL LIST OF PARTS

| No. | Plate | Name |
|--------|-------|---|
| 55304 | ----- | Stop Cam Interlocking Rod Case Bracket complete for 18493, Nos. 1182E, 1196C, 1204E, 1254C, 1262C, 1508E, 1662C, 17853, 17859, 17861, 17862, 17872, 17873, 39346, 55285 and two 898D..... |
| 55321 | 8597 | Knife (stationary) for 55329..... |
| 55323 | ----- | " Holder 17825 with 1198C, 17829, 55442 and 55456, for 55329..... |
| 55324 | 8597 | Throat Plate for 55327..... |
| 55325 | 8597 | " " Needle Hole Bushing (large needle hole) for 55327..... |
| 55327 | ----- | Throat Plate 55324 with 55325 and two 1208D, for 55329..... |
| 55329 | 8597 | Throat Plate complete, Nos. 1698C, 17828, 50018F, 50117J, 55321, 55323 and 55327. |
| 55376 | 8595 | Feed Across Connection with four 1057E, for 55378..... |
| 55378 | ----- | Feed Across Connection 55376 with 50598C and 55381..... |
| 55381 | 8595 | Feed Across Shaft Crank (back) Ball Stud for 55378..... |
| 55388 | 8598 | Stop Cam Interlocking Rod Case for 55389 |
| 55389 | ----- | " " " " " 55388 with 18443 and two 193J, for 55418..... |
| 55390 | 8590 | Arch Clamp Foot (left) for 55391..... |
| 55391 | ----- | " " " " 55390 with 219K and 63731, for 55394..... |
| 55392 | 8590 | Arch Clamp Foot (right) for 55393..... |
| 55393 | ----- | " " " " 55392 with 219K and 63732, for 55394..... |
| 55394 | 8590 | Arch Clamp complete, Nos. 1654C, 18367, 18477, 18486, 55391, 55393, 55396, 63734, two each 181D, 1229F, 1547J, 14079, 63733 and four 190J..... |
| 55396 | 8590 | Feed Plate for 55394..... |
| *55405 | ----- | Arm with 15404, 17844 and two each 164E and 15405..... |
| *55407 | ----- | Cylinder..... |
| 55418 | ----- | Stop Cam Interlocking Rod Case 55389 with 63976 and two 1255D, for 55285. |
| 55430 | 8594 | Feed Cam with two each 1192C, 17874 and four 190J..... |
| 55439 | 8597 | Shuttle Race Ring Spring for 18430..... |
| 55442 | 8597 | Knife (needle thread) for 55323..... |
| 55452 | 8591 | Oscillating Rock Shaft Hinge Pin for 55453..... |
| 55453 | ----- | Oscillating Rock Shaft Hinge Pin 55452 with 1513J, for 55278..... |
| 55456 | 8597 | Knife (shuttle thread) for 55323..... |
| 56791 | 8593 | Tension complete for 17725 and 68742, Nos. 2103, 2124, 16202 and two 2102. |

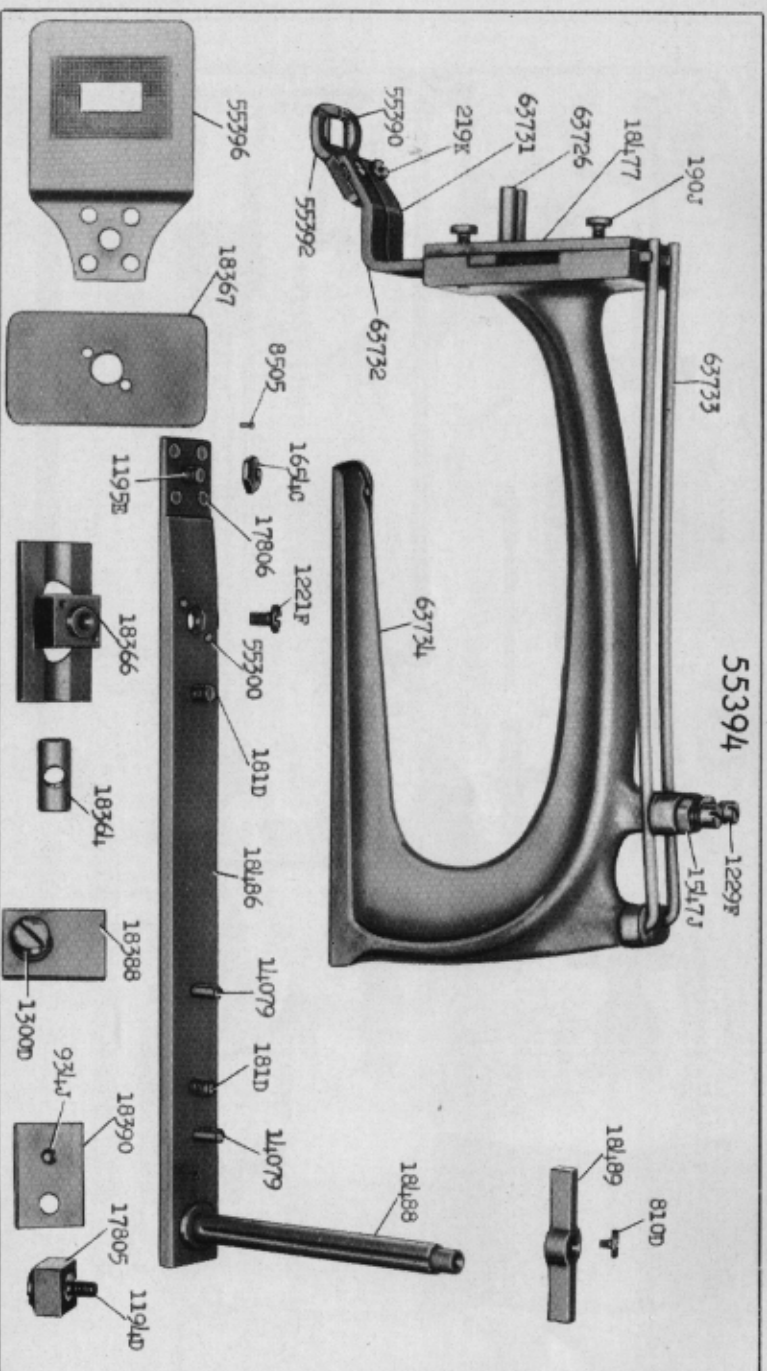
NUMERICAL LIST OF PARTS

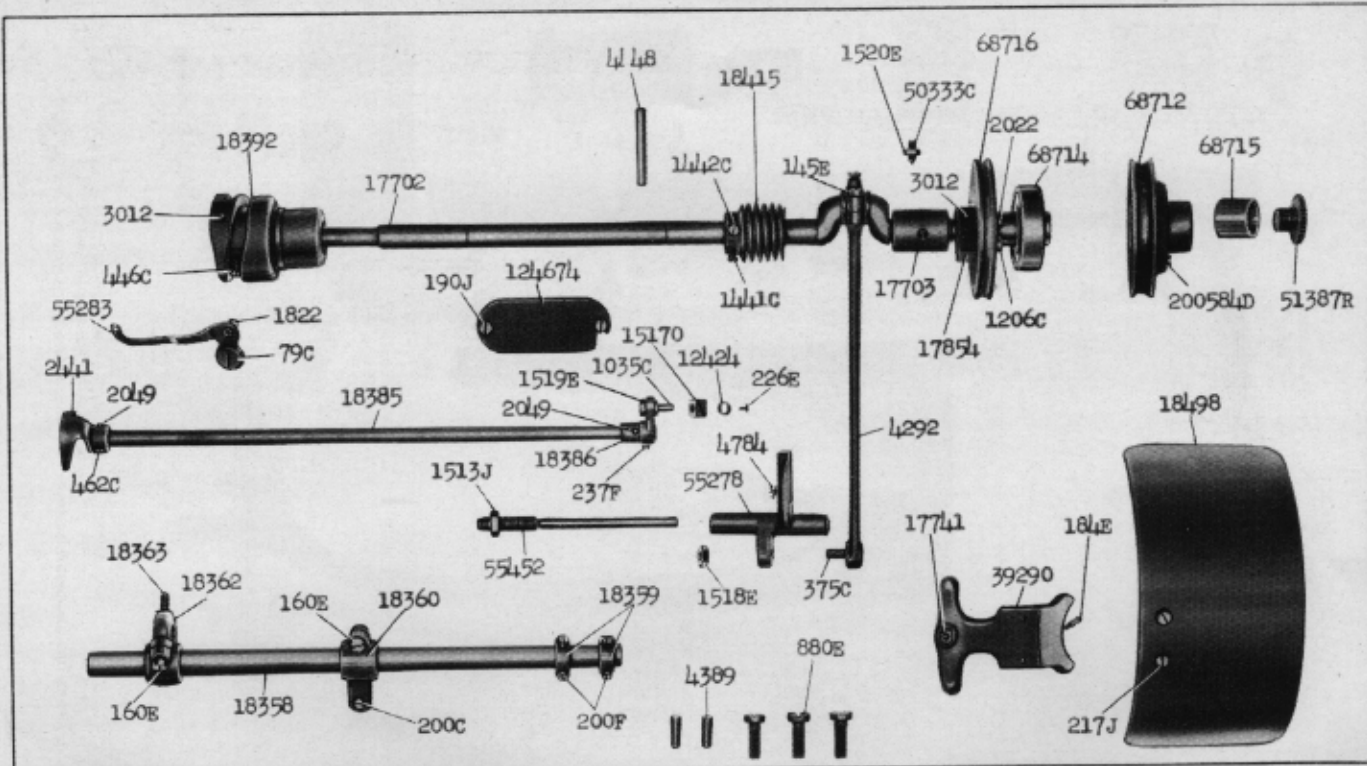
| No. | Plate | Name |
|--------|-------|--|
| 60769 | 8600 | Bobbin Winder Tension Bracket for 60770. |
| 60770 | 8600 | Bobbin Winder Tension Bracket complete for 41716, Nos. 419E, 1562J, 8422, 9780, 43808, 60769 and two 2455..... |
| 62155 | 8594 | Feed Cam Shaft..... |
| 63726 | 8590 | Arch Clamp Foot Lifting Stud for 63731 and 63732..... |
| 63731 | 8590 | Arch Clamp Foot Shank (left) with 63726, for 55391..... |
| 63732 | 8590 | Arch Clamp Foot Shank (right) with 63726, for 55393..... |
| 63733 | 8590 | Arch Clamp Foot Spring for 55394..... |
| 63734 | 8590 | " " Frame for 55394..... |
| 63756 | 8596 | Needle Bar Connecting Link with 21629... |
| 63973 | 8602 | Table Belt Guide Pulley Shaft (long) Wick (braided cotton) for 39219..... |
| 63974 | 8602 | Table Belt Guide Pulley Shaft (short) Wick (braided cotton) for 39220..... |
| 63976 | 8598 | Belt Shifter Clamp for 55418..... |
| 68712 | 8591 | Pulley (loose) 2 3/4 in. diam. with 200584D, for 68713..... |
| 68713 | ----- | Pulley (loose) 68712 with 68714, for 68717..... |
| 68714 | 8591 | Pulley (loose) Ball Bearing for 68713... |
| 68715 | 8591 | " " Bushing for 68717..... |
| 68716 | 8591 | " (tight) 2 7/8 in. diam. for 68720 |
| 68717 | ----- | Pulleys (ball bearing) complete, Nos. 51387R, 68713, 68715 and 68720..... |
| 68720 | ----- | Pulley (tight) 68716 with 1206C and 17854, for 68717..... |
| 68739 | 8598 | Stop Cam Interlocking Rod Stop Screw Washer for 55285..... |
| 68740 | ----- | Eye and Finger Guard Face Plate for 68741..... |
| 68741 | 8601 | Eye and Finger Guard Face Plate 68740 with 2105, for 68742..... |
| 68742 | ----- | Eye and Finger Guard Face Plate complete for 121626, Nos. 448C, 2107, 2127, 56791, 68741 and two 233J..... |
| 120346 | 8599 | Oiler (copper plated) with 120347 (Attachments and Accessories)..... |
| 120347 | 8599 | Oiler Spout, 8 1/2 in. long for 120346.. |
| 121603 | 8601 | Eye and Finger Guard (glass) for 121608. |
| 121604 | 8601 | " " " " Carrying Arm for 121613..... |
| 121605 | 8601 | Eye and Finger Guard Carrying Arm Spring for 121613..... |
| 121606 | 8601 | Eye and Finger Guard Depressing Screw Holder for 121626..... |
| 121607 | 8601 | Eye and Finger Guard Frame for 121608... |

NUMERICAL LIST OF PARTS

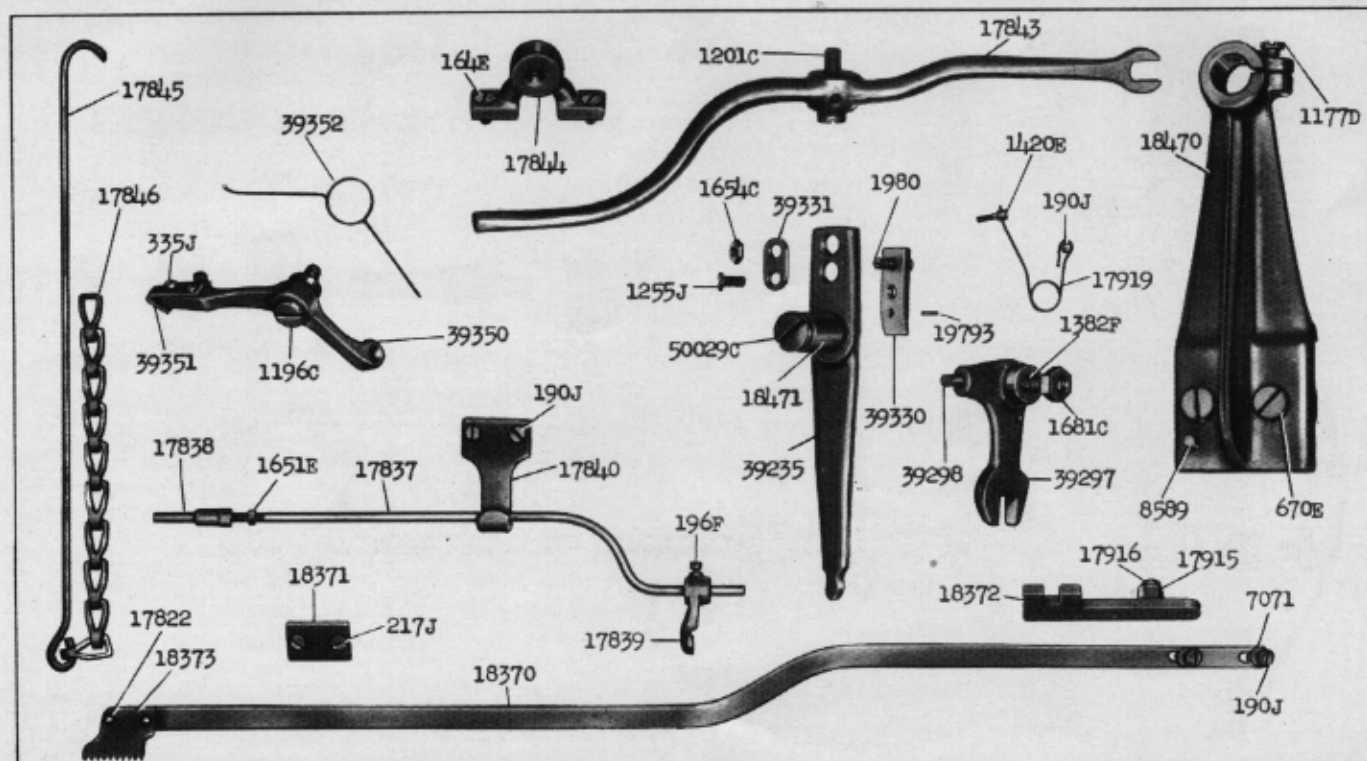
| No. | Plate | Name |
|---------|-------|--|
| 121608 | ----- | Eye and Finger Guard Frame 121607 with 121603, for 121613..... |
| 121609 | 8601 | Eye and Finger Guard Guiding Rod for 121613..... |
| 121611 | 8601 | Eye and Finger Guard Holder for 121613.. |
| 121612 | 8601 | " " " " Supporting Bracket for 121613..... |
| 121613 | ----- | Eye and Finger Guard complete for 121626, Nos. 1004K, 1698J, 1735J, 50222K, 50435K, 121604, 121605, 121608, 121609, 121611, 121612 and two 50165J. |
| 121626 | 8601 | Eye and Finger Guard with Face Plate complete, Nos. 50435K, 68742, 121606, 121613, 140061J and two 191J..... |
| 124674 | 8591 | Arm Side Cover..... |
| 126391 | 8600 | Bobbin Winder Bracket for 41716..... |
| 140061J | 8601 | Eye and Finger Guard Depressing Screw Holder Screw for 121626..... |
| 150203 | 22248 | Thread Unwinder Spool Rest Cushion (felt) for 225258..... |
| 200383C | 22248 | Thread Unwinder Spool Rest Rod Set Screw for 202490..... |
| 200584D | 8591 | Pulley (loose) Oil Plug Screw for 68712. |
| 201018C | 22248 | Thread Unwinder Spool Rest Set Screw for 225257..... |
| 201696J | 22248 | Thread Unwinder Thread Guide Lock Nut for 225258..... |
| 202490 | 22248 | Thread Unwinder Spool Stand with 200383C, for 225258..... |
| 225257 | 22248 | Thread Unwinder Spool Rest with 201018C, for 225258..... |
| 225258 | 22248 | Thread Unwinder complete for two spools or two large cones of thread, Nos. 201696J, 202490, 225257, 225324, 225326, 225388, two each 150203, 225391 and three wood screws 7/8 in. No. 12 F.H..... |
| 225322 | 22248 | Thread Unwinder Thread Guide Rod Washer for 225324..... |
| 225324 | 22248 | Thread Unwinder Thread Guide Rod with 208E and 225322, for 225258..... |
| 225326 | 22248 | Thread Unwinder Thread Guide Position Cup for 225258..... |
| 225388 | 22248 | Thread Unwinder Spool Rest Rod for 225258..... |
| 225390 | 22248 | Thread Unwinder Thread Cone Holder for inverted cones for 225258..... |
| 225391 | 22248 | Thread Unwinder Thread Guide for 225258. |

8590 - 1/2



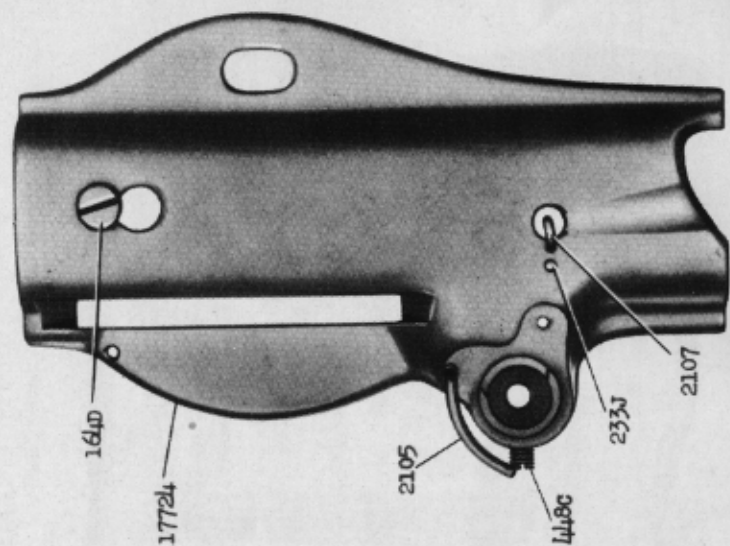


8591 - 1/4



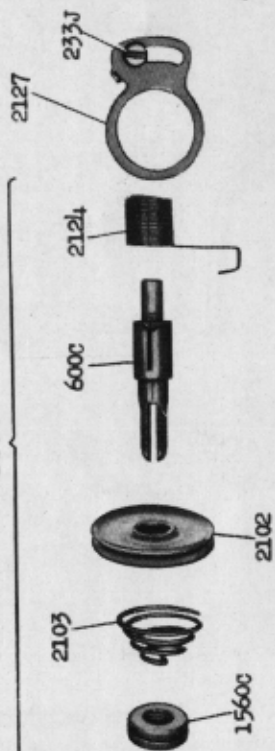
8592 - 1/3

8593 - 2/3

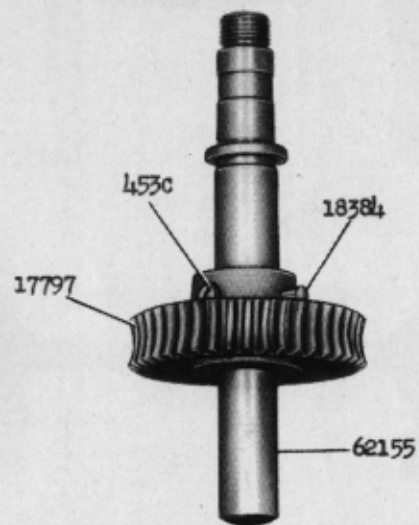
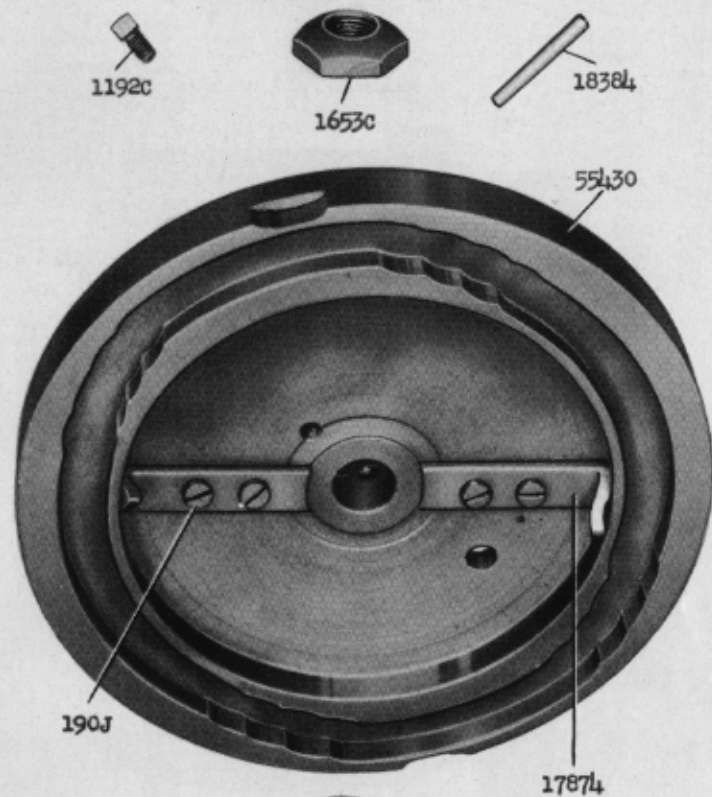


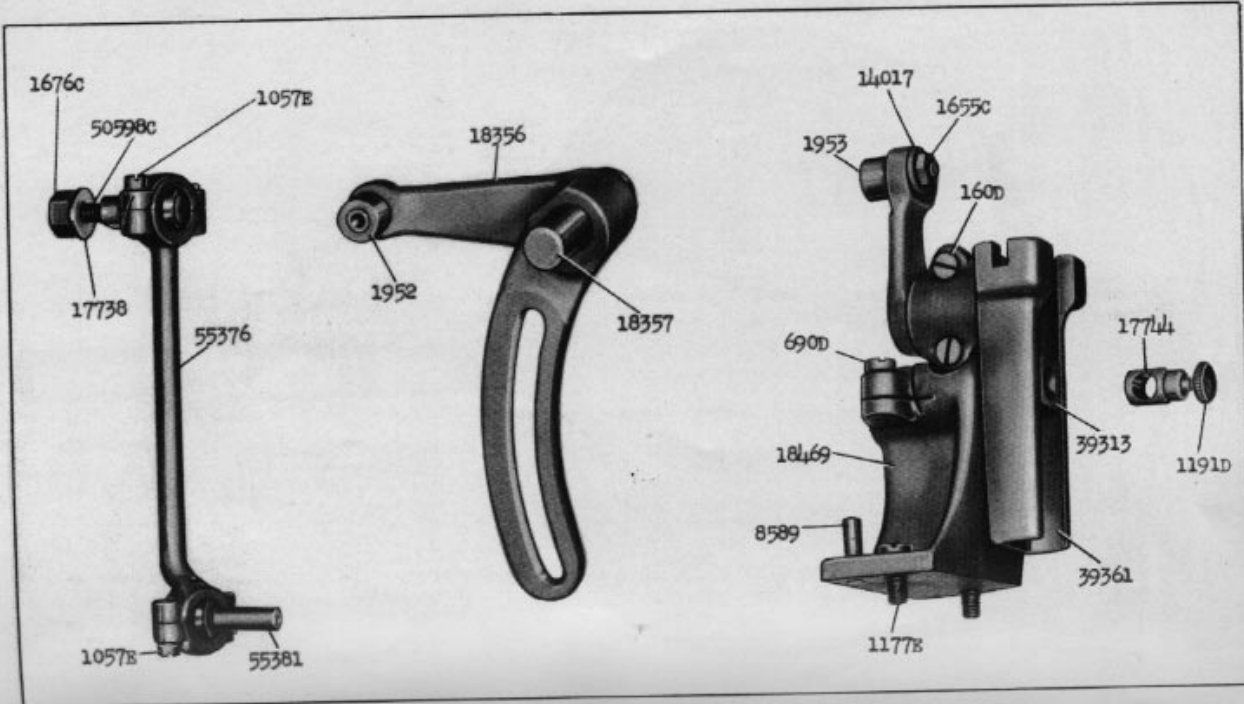
17725

56791

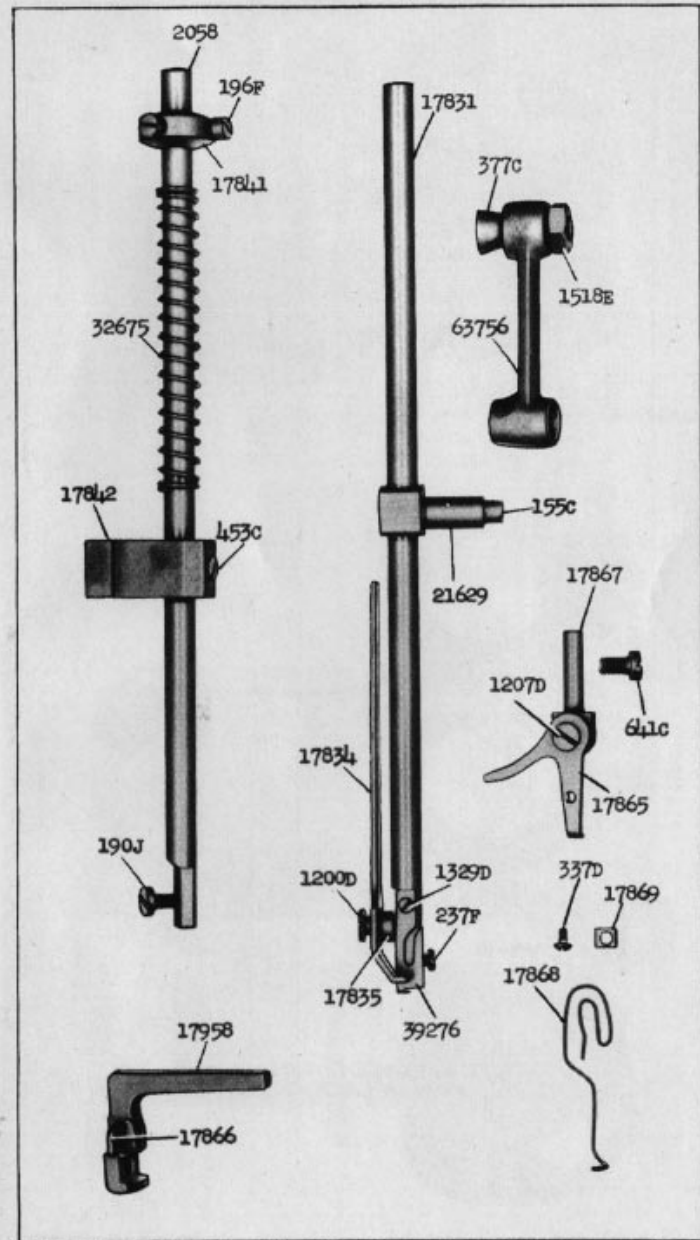


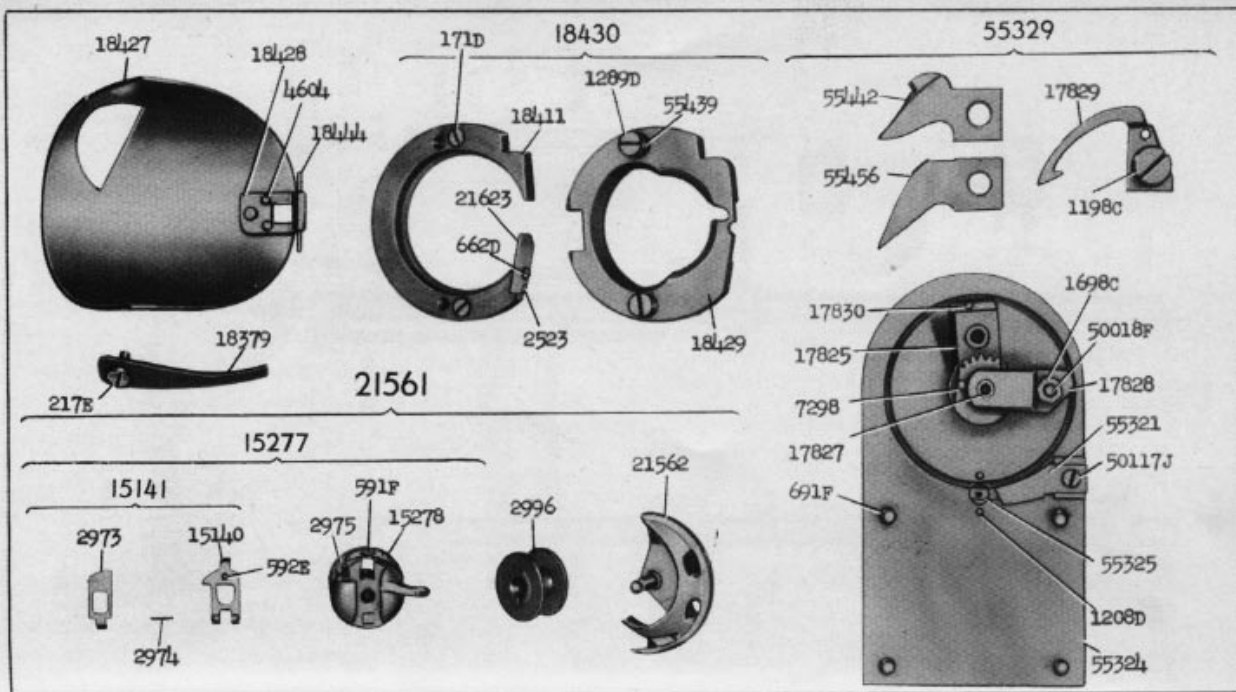
8594 - 1/2



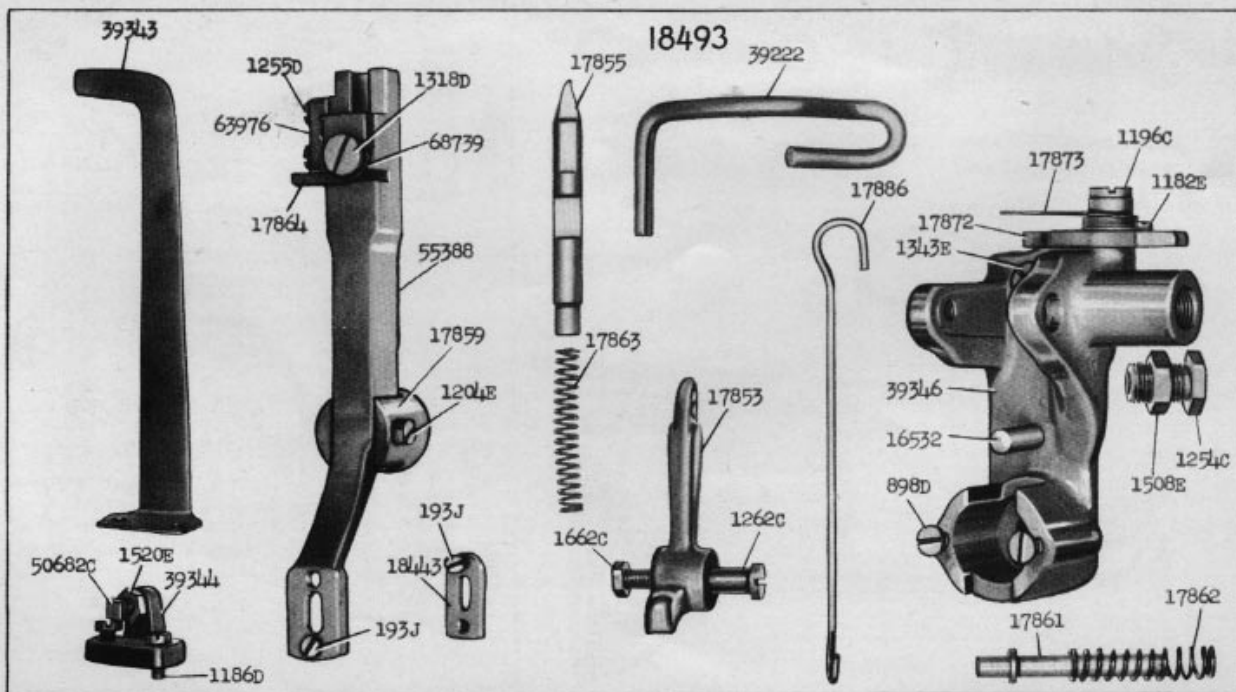


8595 - 2/3



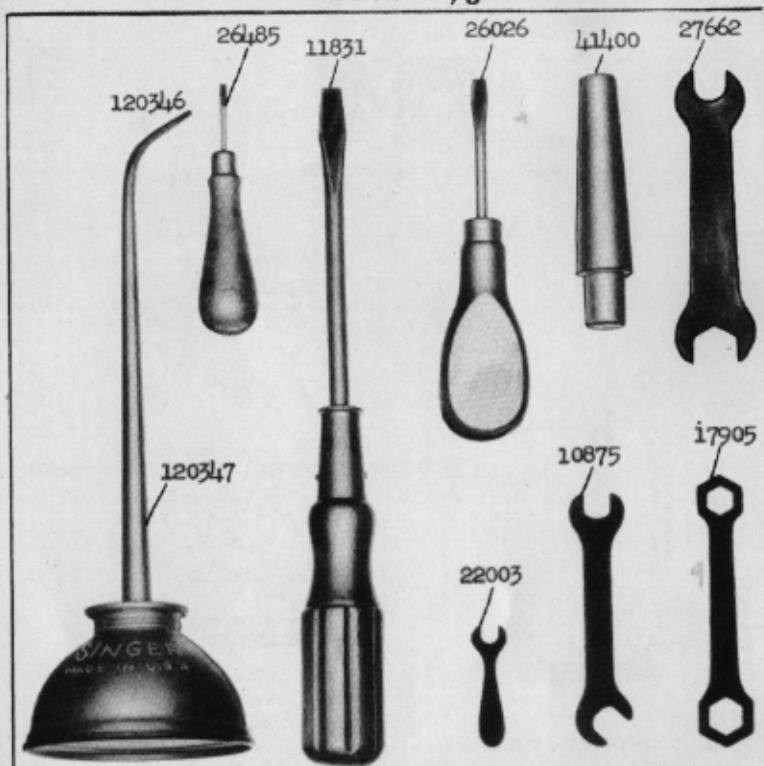


8597 - 1/2

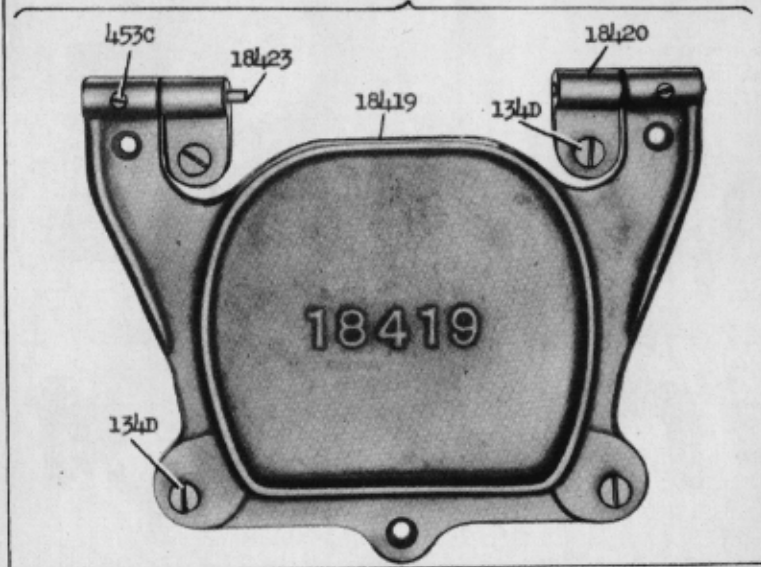


8598 - 2/3

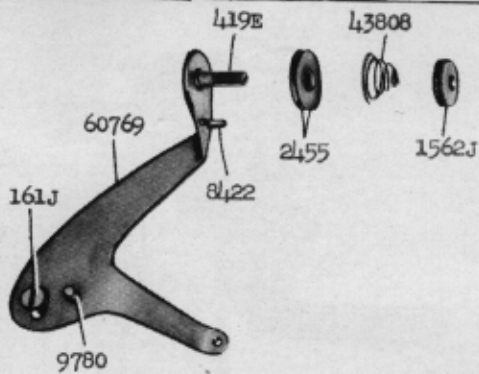
8599 - 1/3



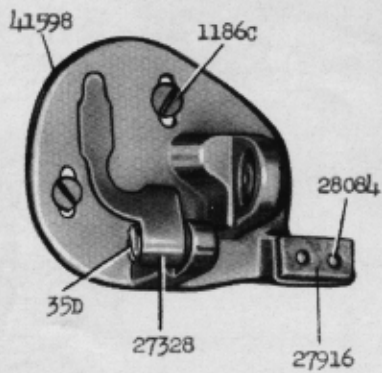
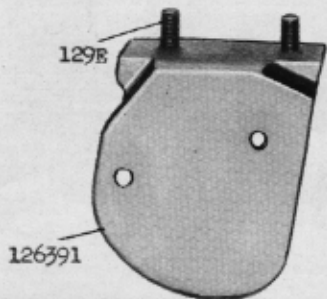
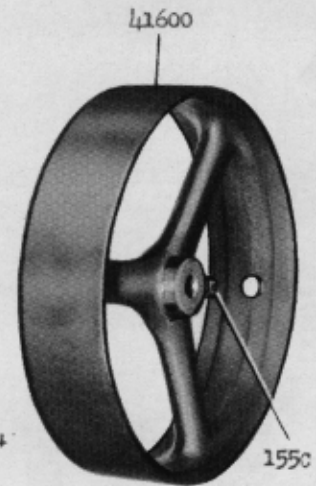
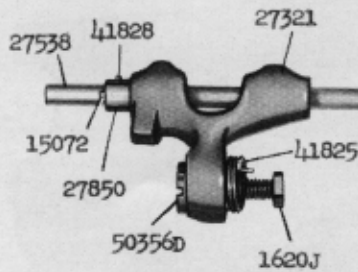
18424



60770

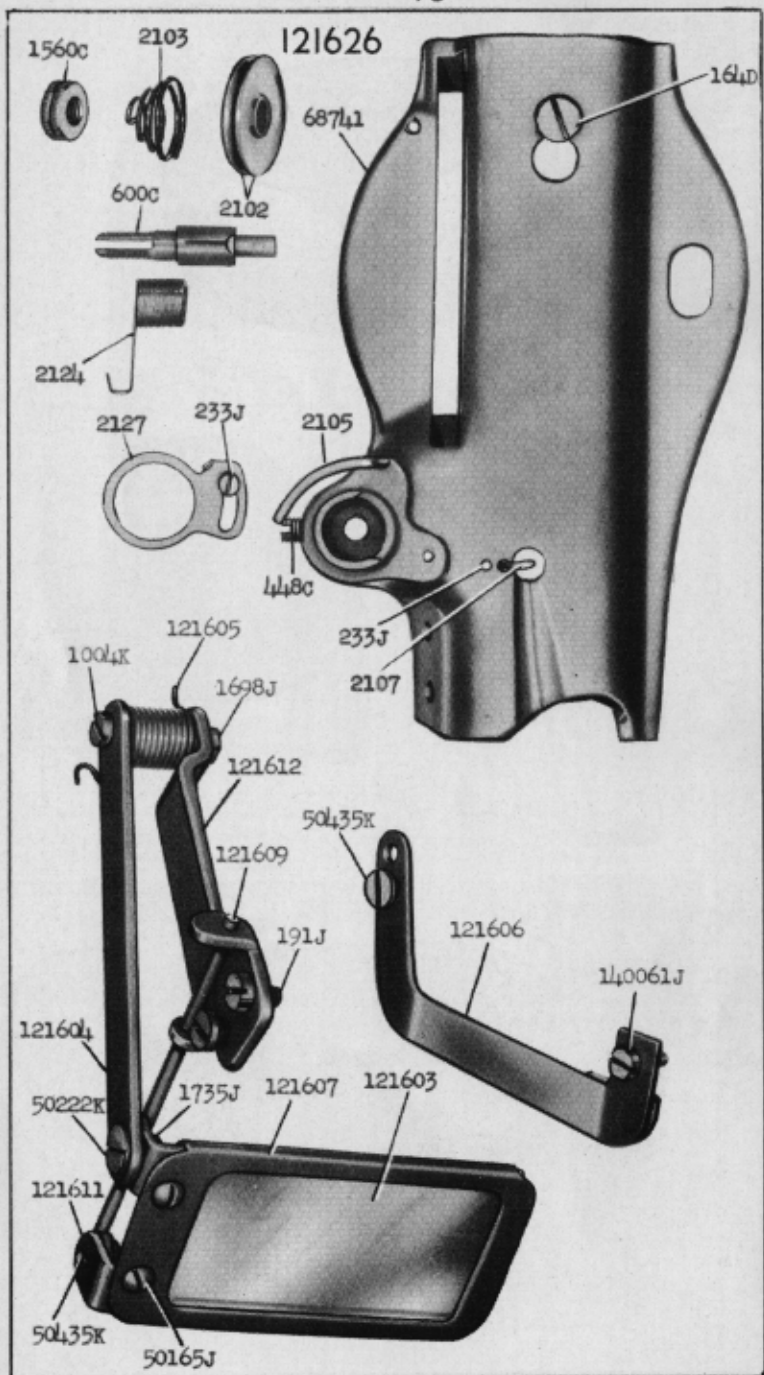


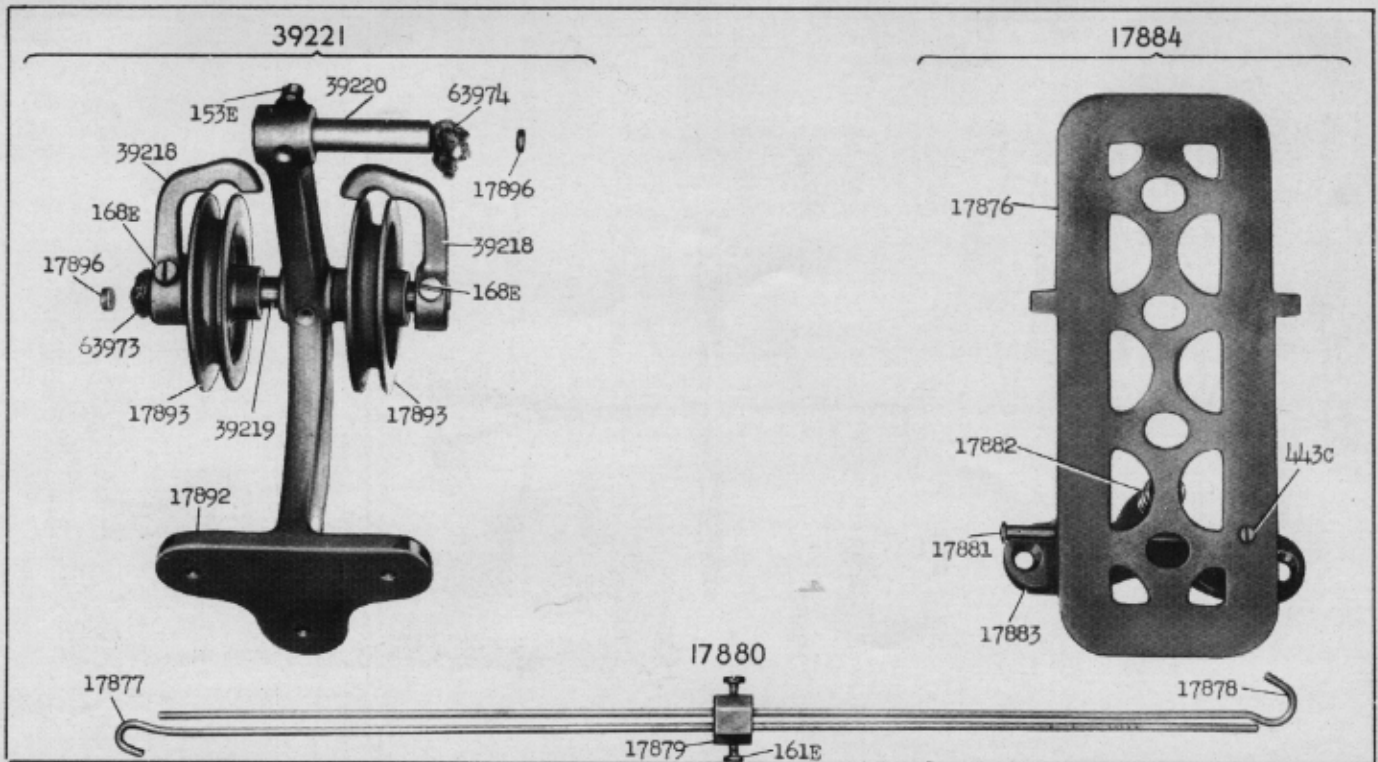
41716



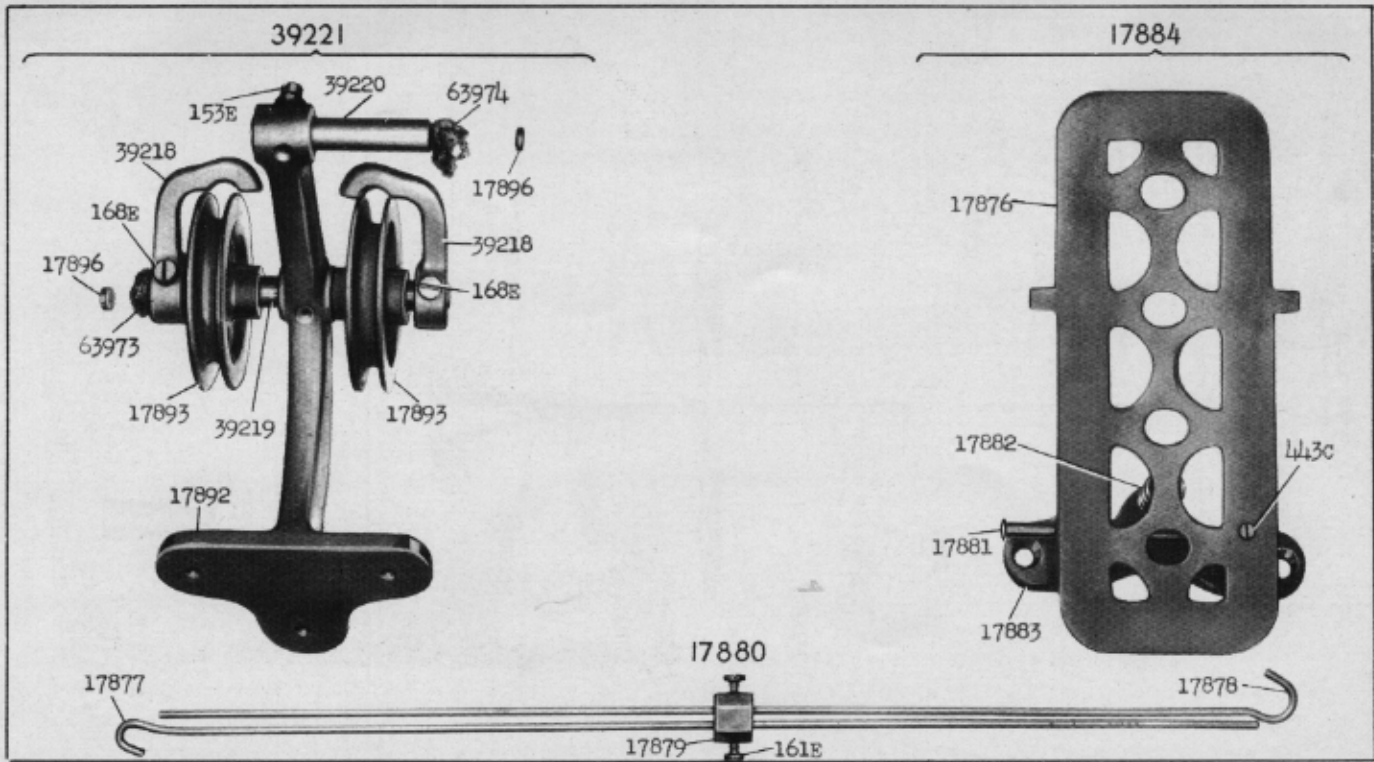
8600 - 1/2

8601 - 2/3





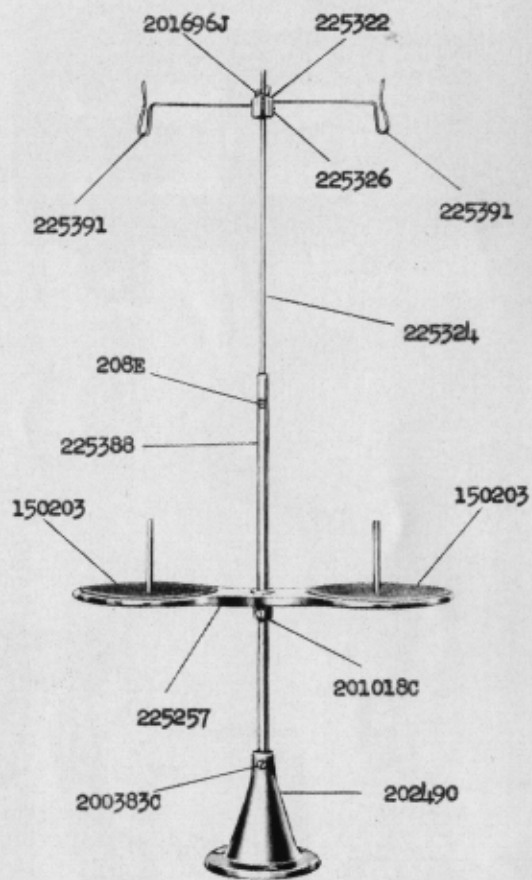
8602 - 1/3



8602 - 1/3

22248 - 1/6

225258



27739



225390

