

Singer 69-8

Form 19584
Rev. 155
Printed in U. S. A.

HISTORICAL COPY
DO NOT REMOVE *M*

SINGER**

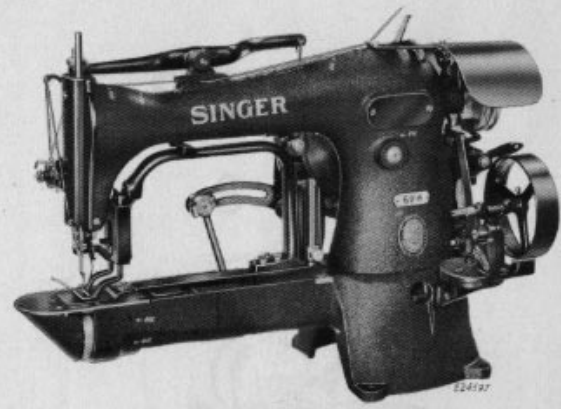
69-8



THE SINGER MANUFACTURING COMPANY

**A Trade Mark of THE SINGER MANUFACTURING COMPANY

HISTORICAL COPY
DO NOT REMOVE

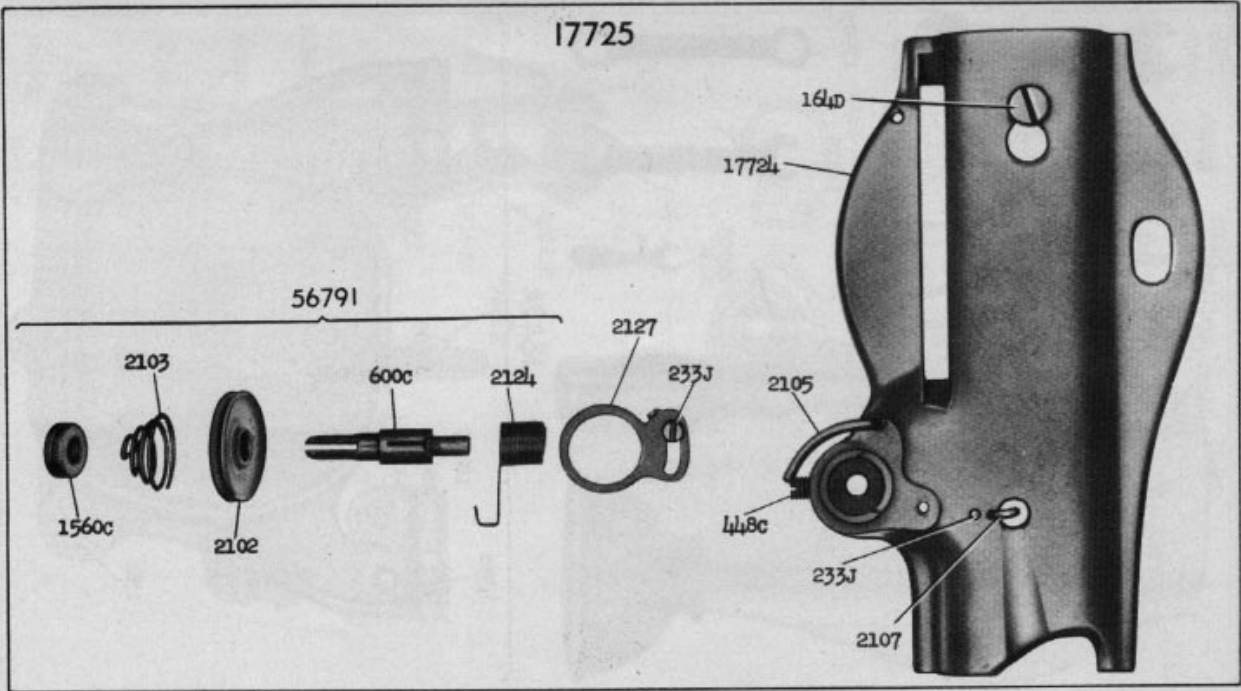


Copyright, U. S. A., 1940, 1947 and 1955
by The Singer Manufacturing Company
All Rights Reserved for all Countries

THE SINGER MANUFACTURING COMPANY

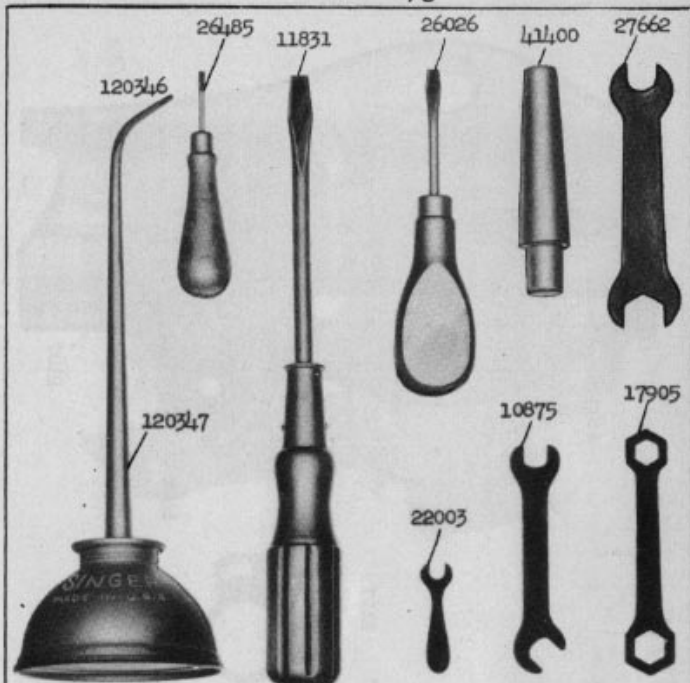
MADE IN U.S.A.

17725

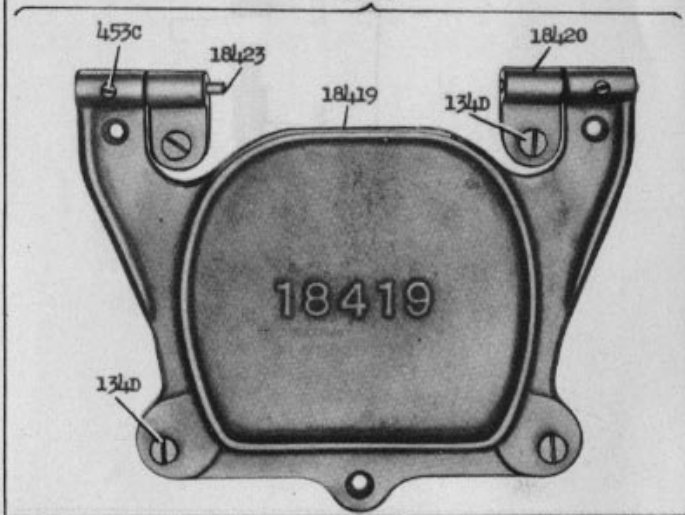


8593 - 2/3

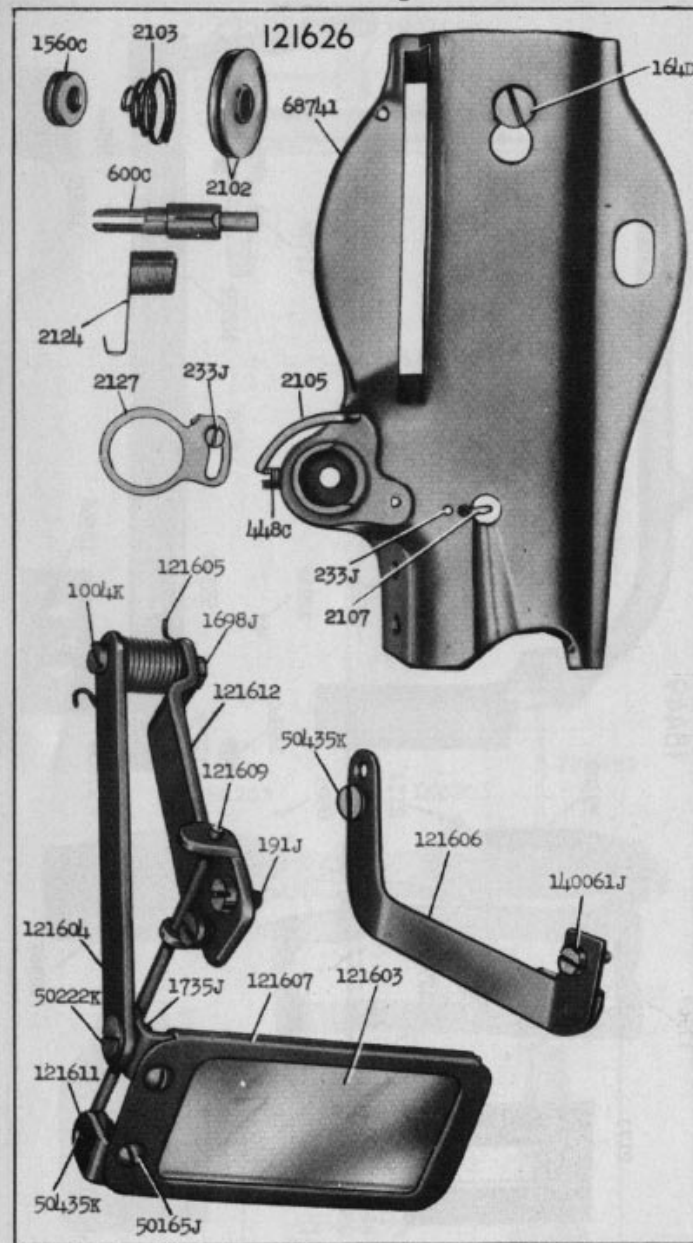
8599 - 1/3

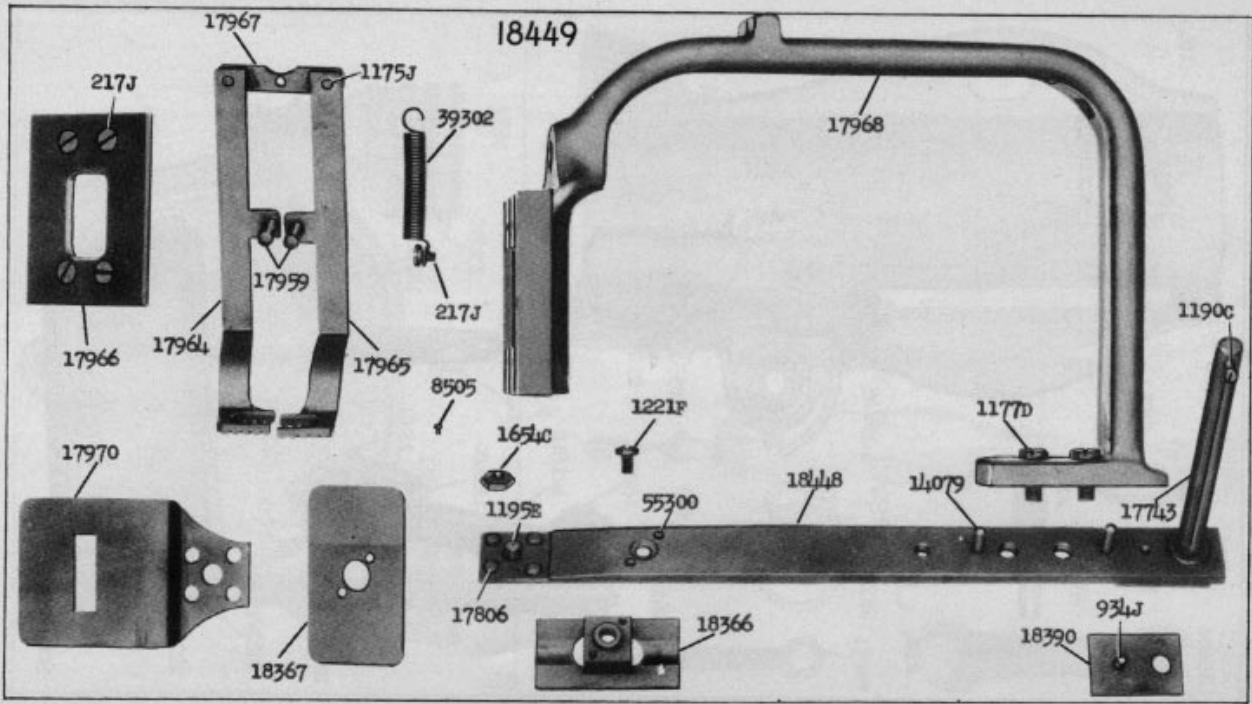


18424



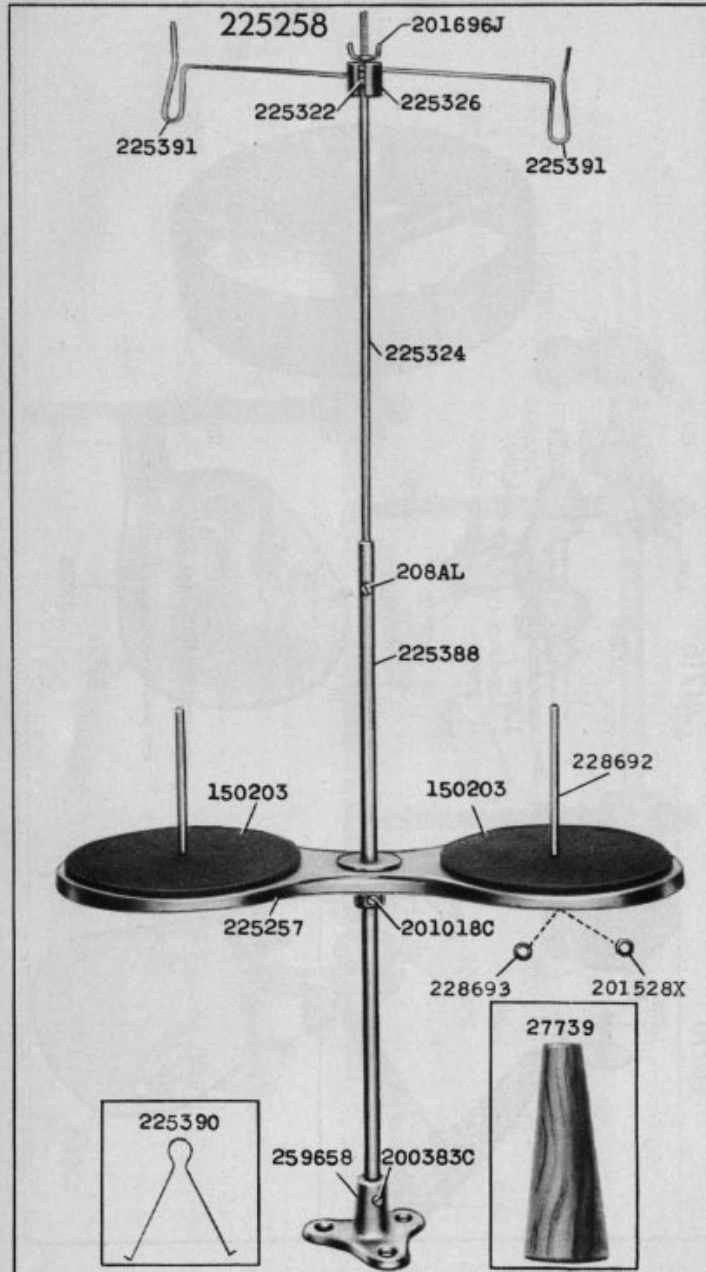
8601 - 2/3

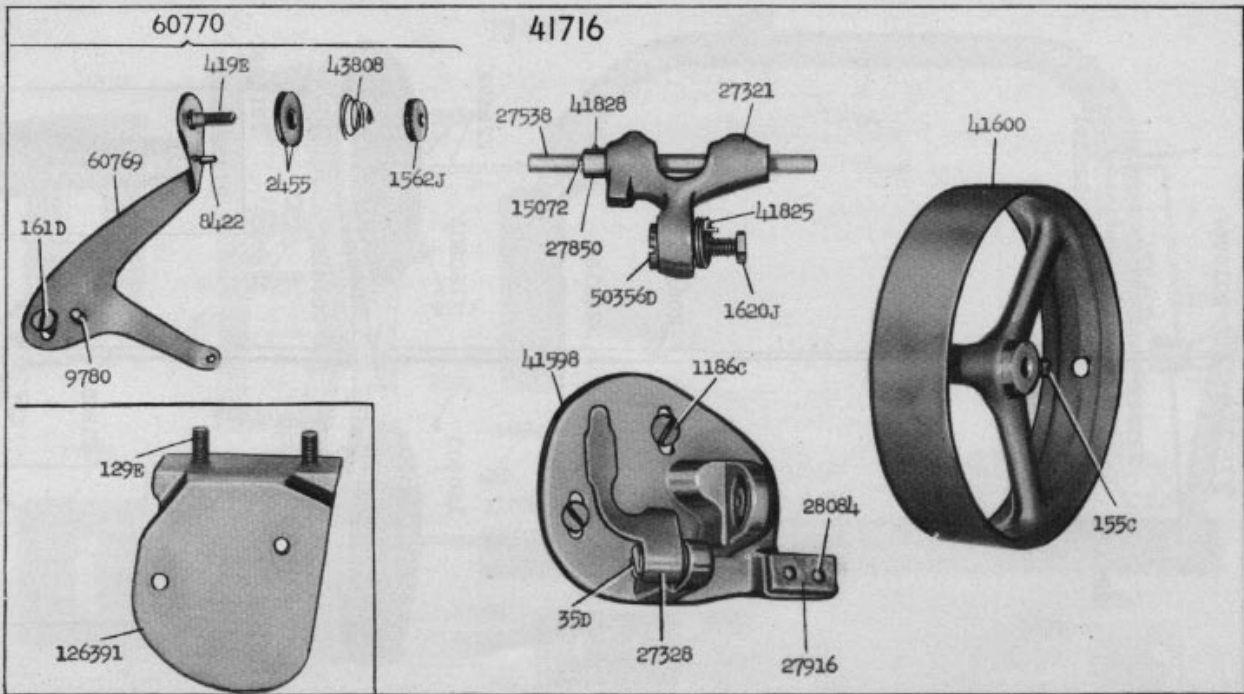




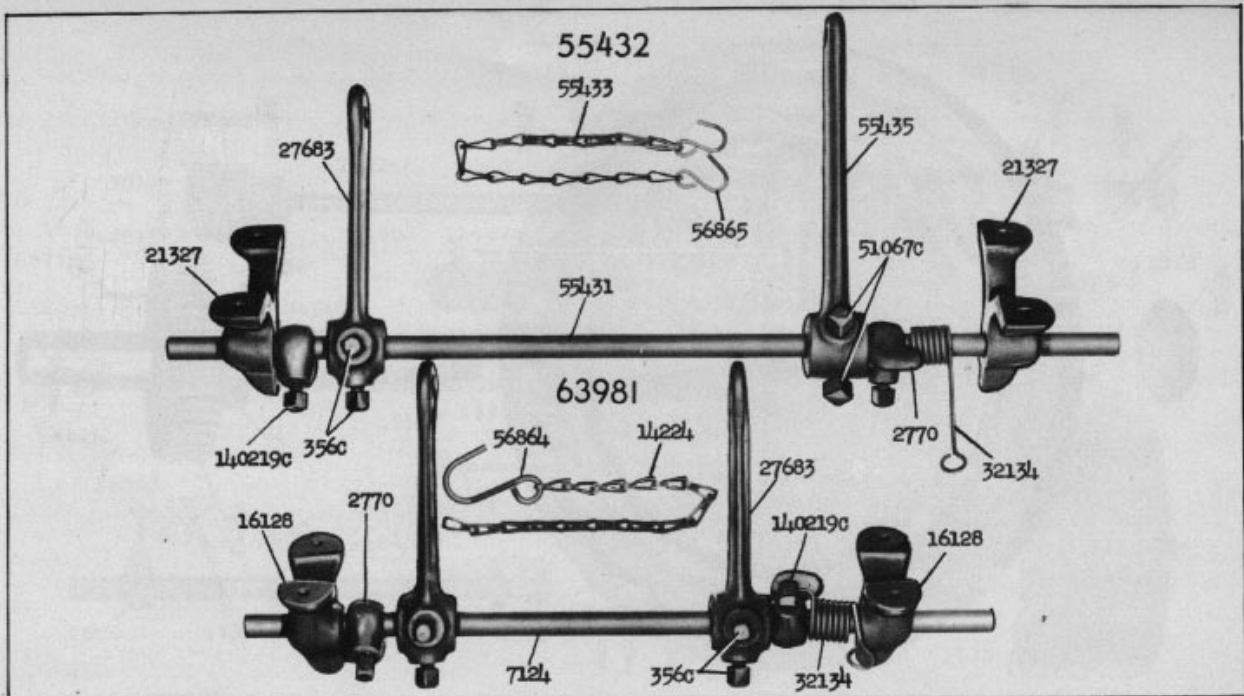
8616 - 1/2

23289 - 1/4



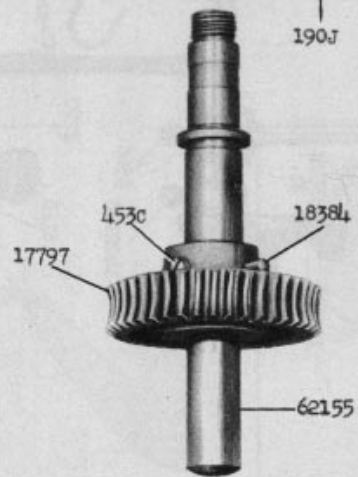
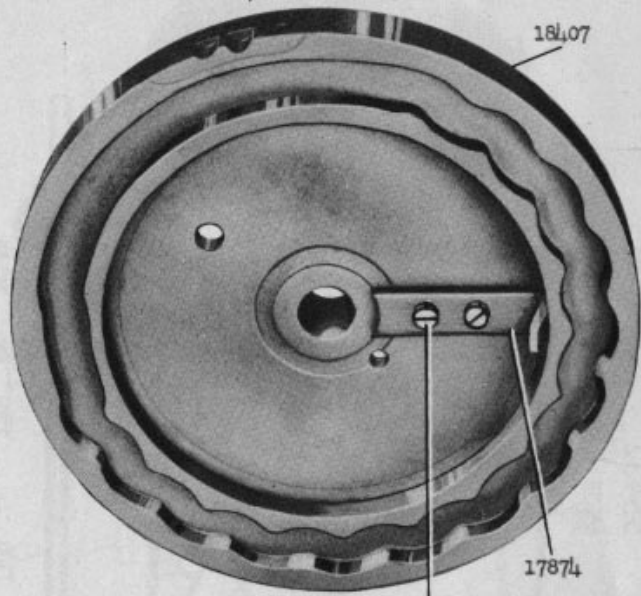


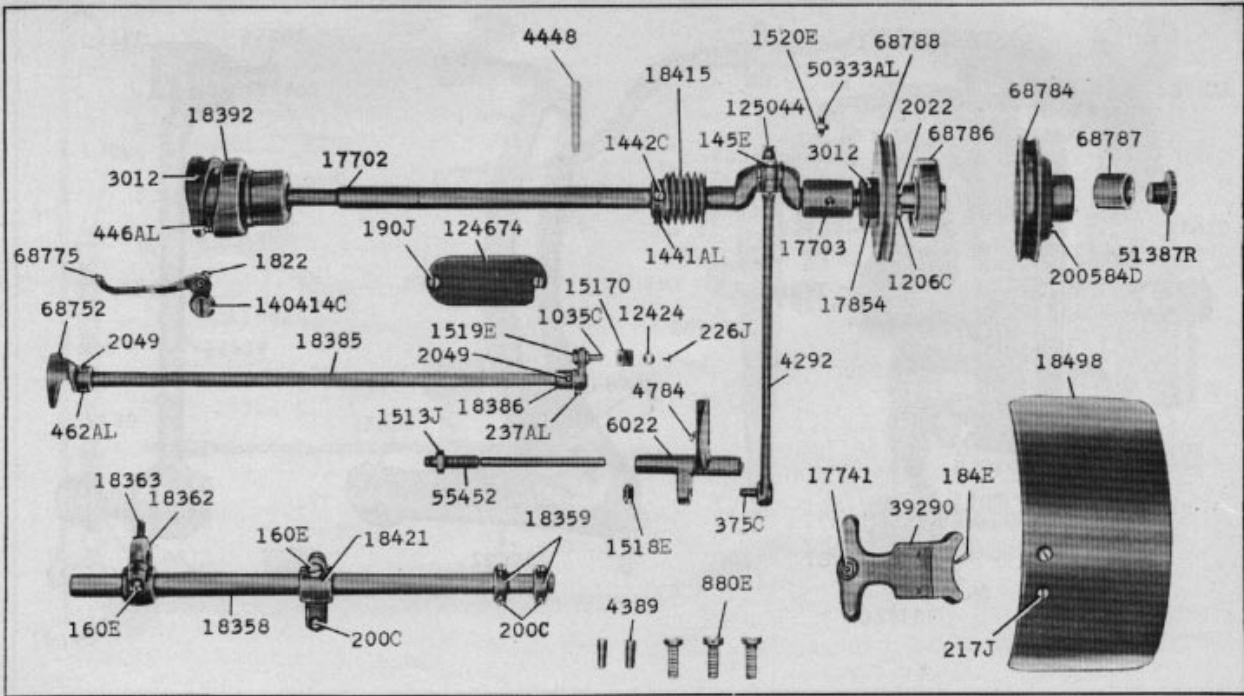
23502 - 1/2



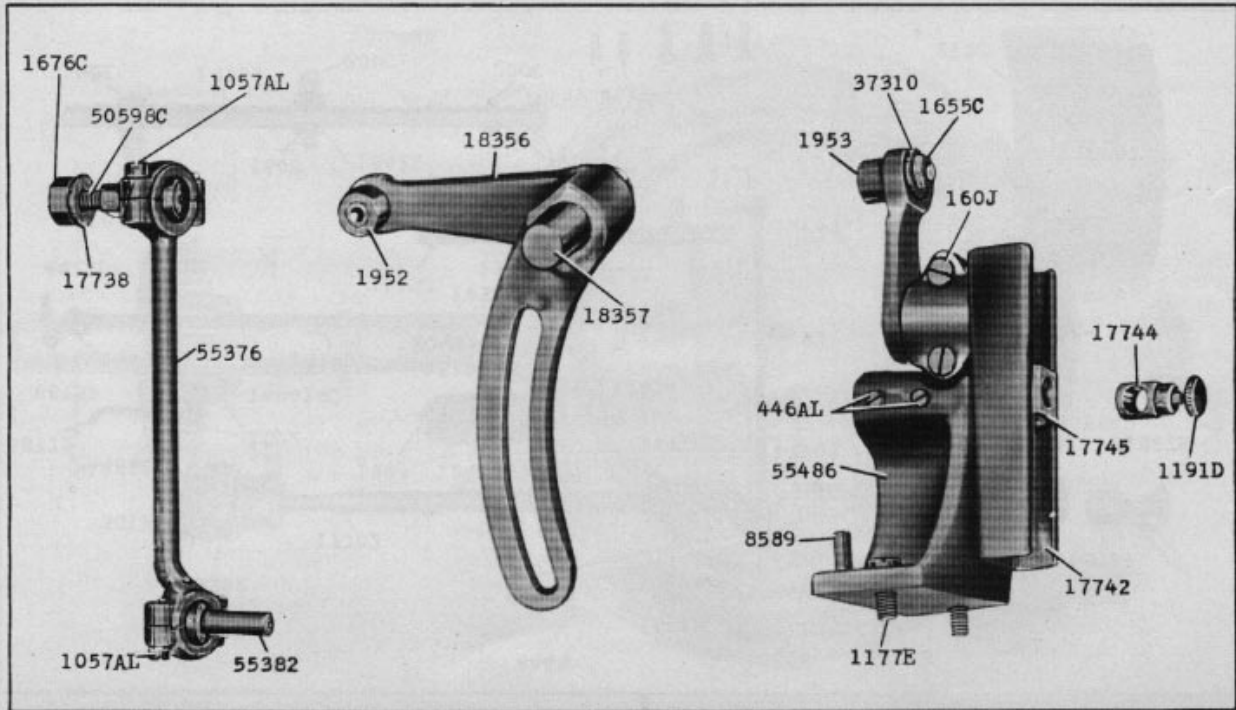
23506 - 1/3

23507 - 1/2

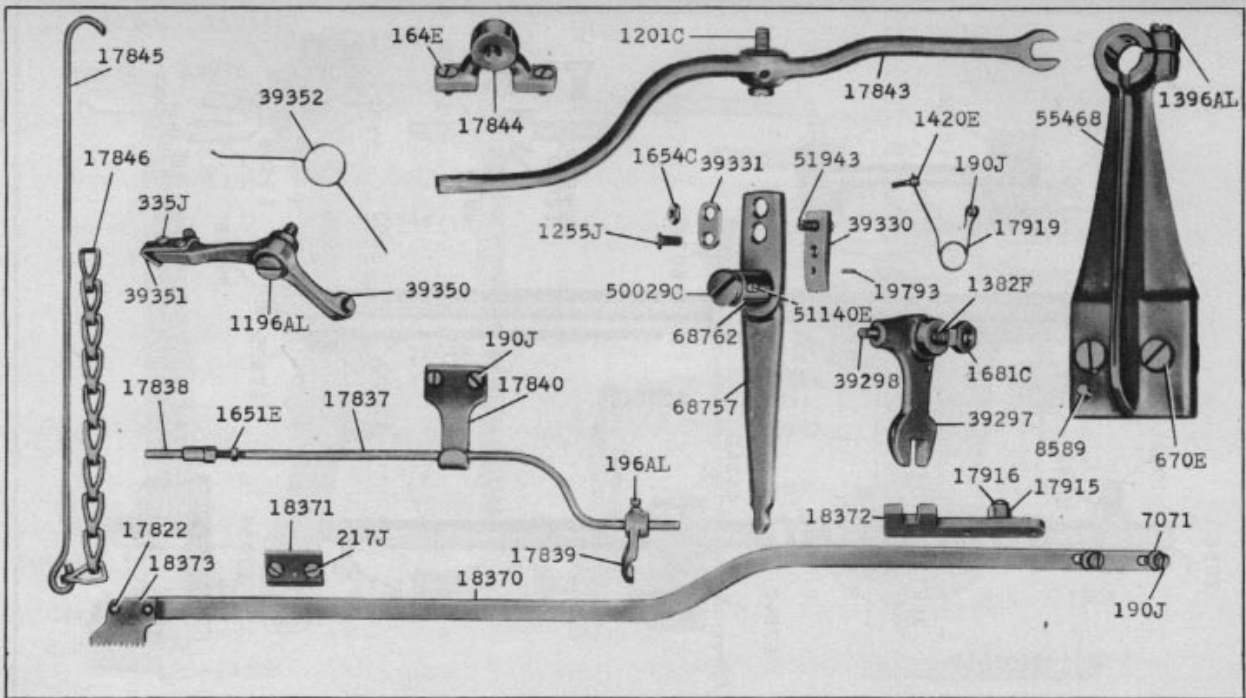




23511-1/4

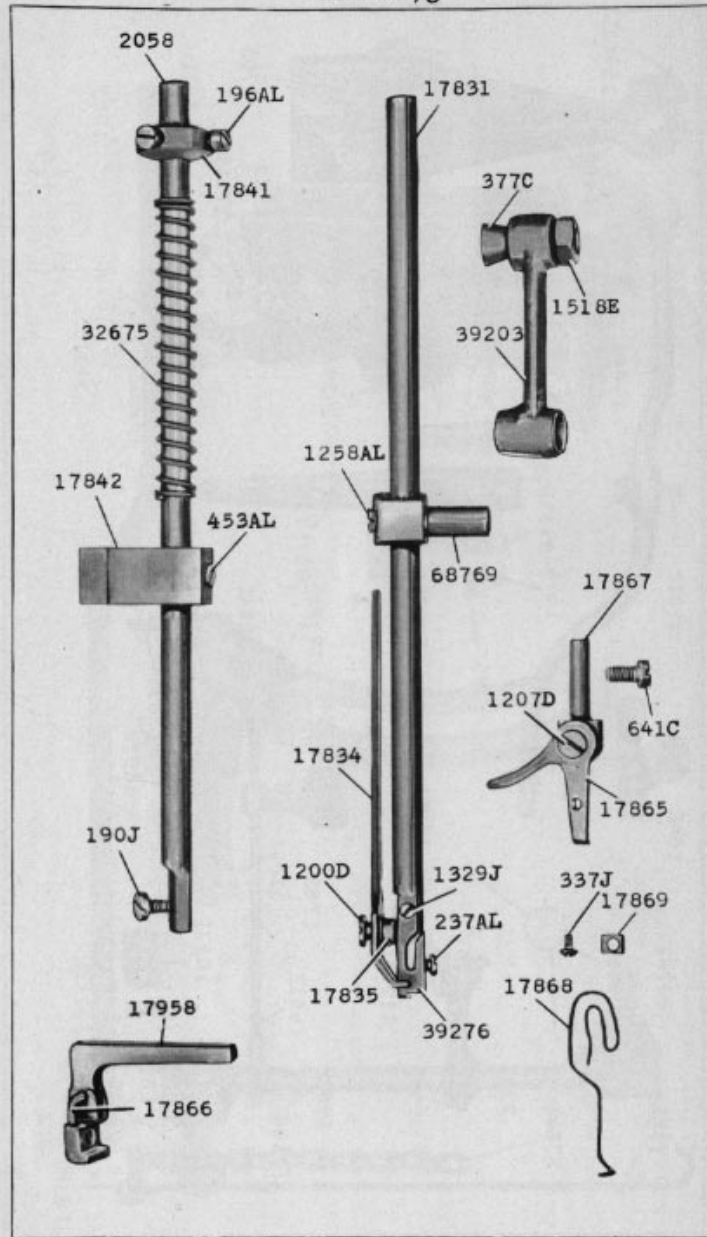


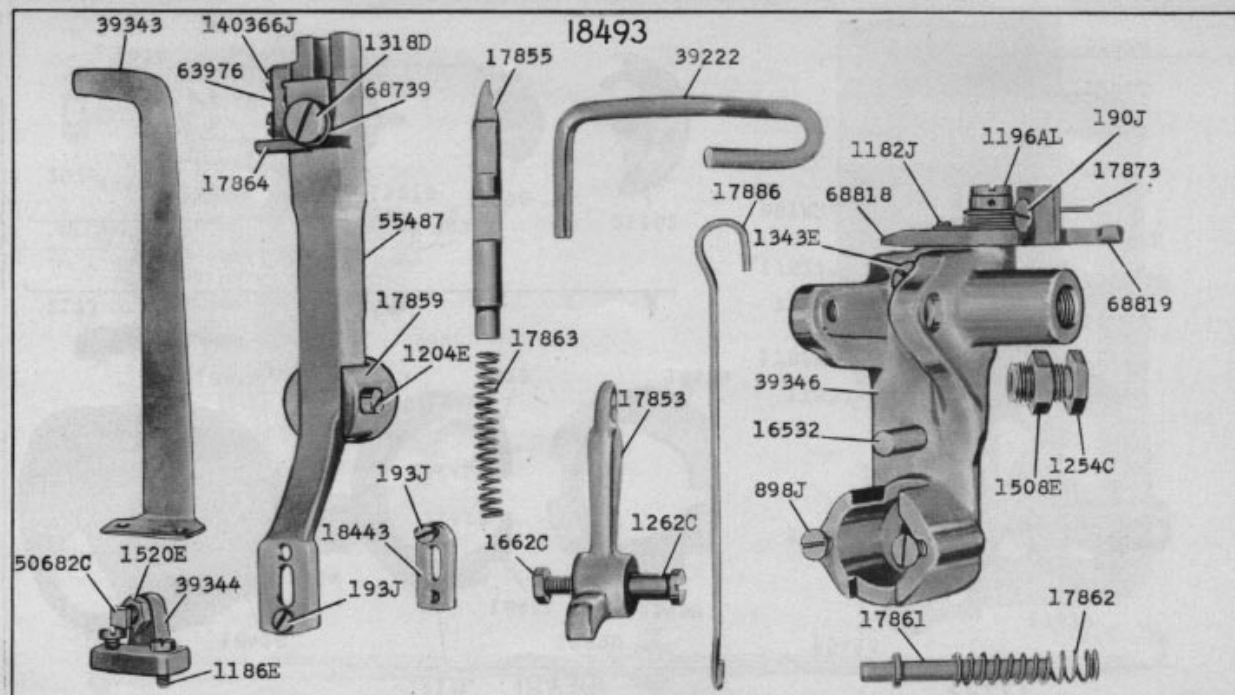
23521-1/2



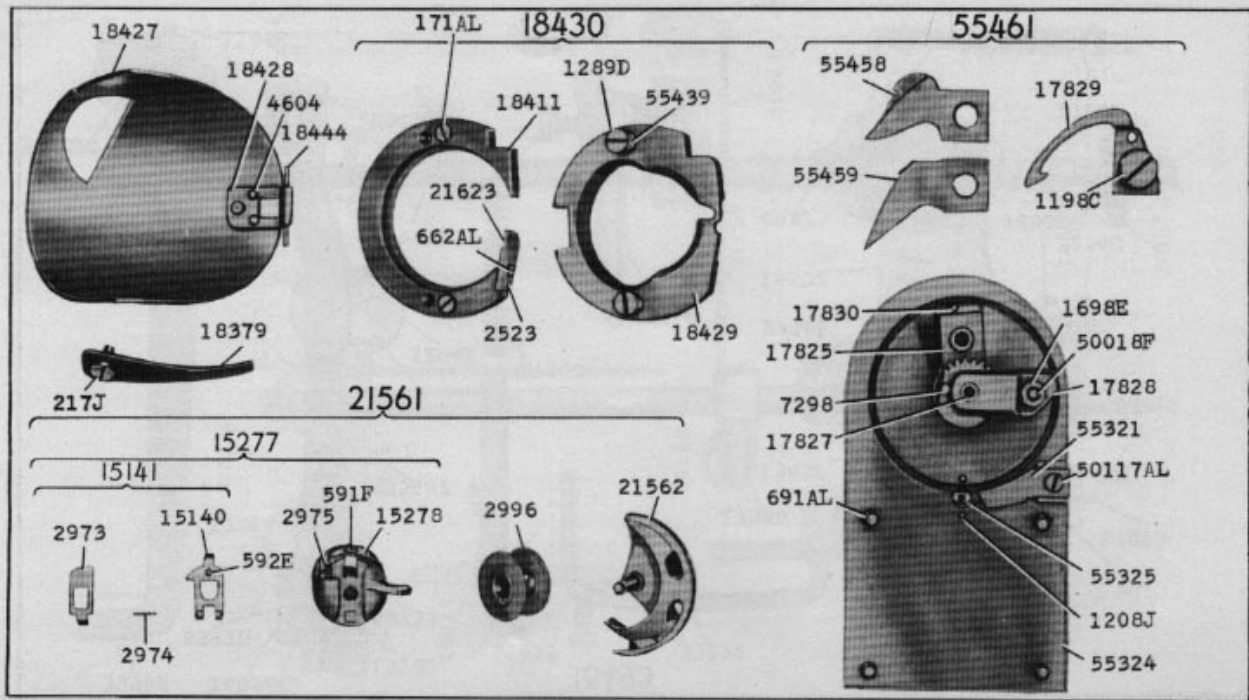
23525-1/3

24309-2/3

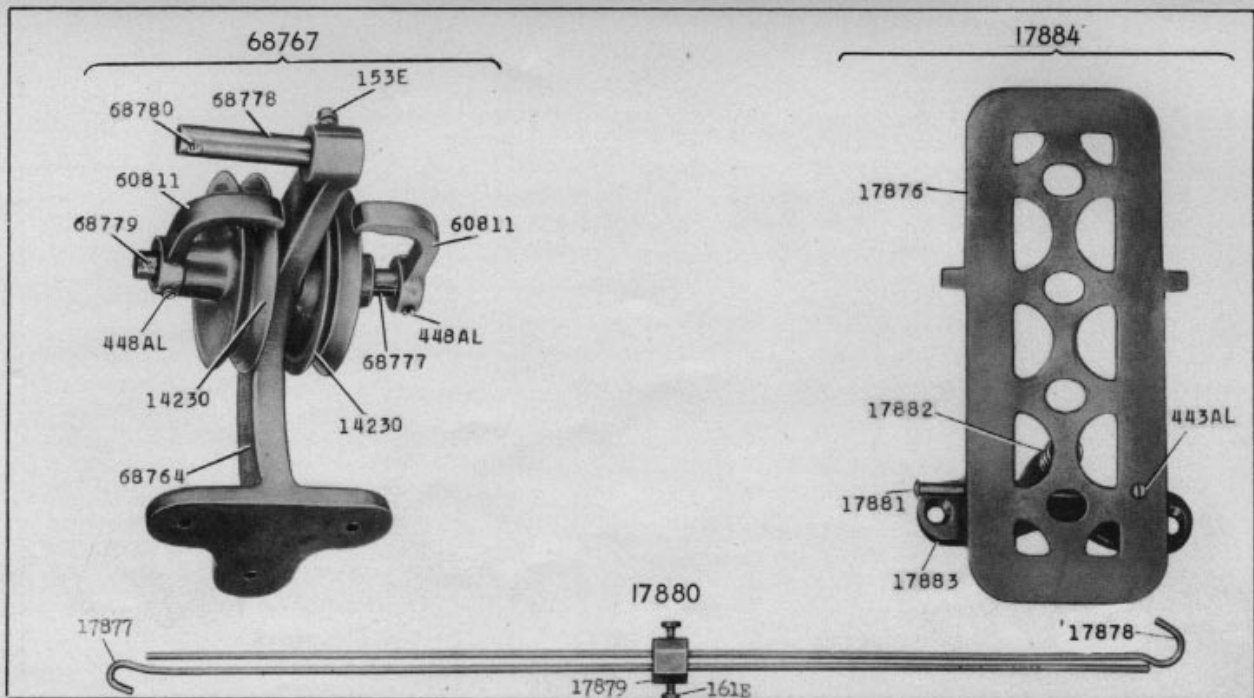




24311-2/3



24312-1/2



24317-1/3