

Singer 7-58

Singer 7-61

Form 21027

(159)

Printed in U. S. A

LIST OF PARTS



SINGER^{**}
MACHINES
Nos. 7-58 and 7-61

THE SINGER MANUFACTURING COMPANY

**A Trade Mark of THE SINGER MANUFACTURING COMPANY

INSTRUCTIONS FOR OILING

To ensure easy running and prevent unnecessary wear of the parts which are in movable contact, the machine requires oiling and when in continuous use, "TYPE B" or "TYPE D" OIL, sold by Singer Sewing Machine Company, should be applied at least twice each day to all oil holes marked "OIL", as instructed in Form 8357.

"TYPE D" OIL should be used when an oil is desired which will produce a minimum of stain on fabrics, even after a long period of storage.

INDEX

	Page
Accessories	29
Bobbin Winder for 7-58 Machine	29
Bobbin Winder for 7-61 Machine	30
Foot Lifter Parts	30
Machine No. 7-58	7
Machine No. 7-61	17
Numerical List of Parts	33
Thread Unwinder	31

INSTRUCTIONS FOR ORDERING

In ordering from this list, use **ONLY** the part NUMBER in the FIRST column.

The number stamped on a Sewing Machine Part is in every case the number of the single part only.

Every combination of parts sent out as such has its specific number, which, although not stamped on the parts, must be used when ordering the combination.

Each number always indicates the **SAME PART** in whatever list it appears, or for whatever machine.

The letters after some of the numbers indicate the style of finish only, as follows:

- A—Hardened, Polished, Nickel Plated and Buffed
- B—Polished, Nickel Plated and Buffed
- C—Hardened Only
- D—Polished Only
- E—Soft, Not Polished
- F—Hardened and Polished
- G—Bright Rumbled and Nickel Plated
- H—Blued
- J—Nickel Plated Only
- K—Hardened and Nickel Plated
- L—Brass Plated
- M—Oxidized
- R—Phosphate Coating Formed on Surface of Iron or Steel
- S—Cadmium Plated
- T—Copper Plated
- U—Zinc Plated
- V—Silver Plated
- W—Polished and Nickel Plated
- X—Black Oxide for Iron and Steel
- Y—Black Nickel Plated Only
- Z—Chromium Plated
- A.A—Buffed and Chromium Plated
- A.B—Hardened, Polished, Buffed and Chromium Plated
- A.E—Hardened, Bright Rumbled and Nickel Plated
- A.F—Hardened, Bright Rumbled, Nickel Plated, Bright Rumbled and Chromium Plated
- A.G—Alumilite (Plain)
- A.H—Alumilite (Dyed) Color Must be Stated
- A.J—Polished, Nickel Plated and Chromium Plated
- A.K—Hardened, Polished, Nickel Plated and Chromium Plated
- A.L—Heat Treated for Toughness
- A.L.D—Heat Treated for Toughness and Polished
- A.L.X—Heat Treated for Toughness and Black Oxide

INSTRUCTIONS FOR ORDERING

- A.S—Black Moulded Phenolic
- A.T—Beige Moulded Phenolic
- A.U—Brown Moulded Phenolic
- A.W—Hardened then Flame Coated with Tungsten Carbide
- B.A—Chrome Nickel Satin Finish
- B.B—Hardened and Chrome Nickel, Satin Finished
- C.R—Hardened and Phosphate Coating Formed on Surface of Steel
- F.J—Hardened, Polished and Nickel Plated
- T.A—Hardened, Polished, Copper and Nickel Plated and Buffed
- T.B—Copper and Nickel Plated and Polished
- T.J—Copper and Nickel Plated Only
- T.K—Hardened, Copper and Nickel Plated
- T.L—Copper and Brass Plated
- T.M—Copper Plated and Oxidized
- X.C—Hardened and Black Oxide for Iron and Steel
- Z.A—Hardened, Polished Nickel Plated, Buffed and Chromium Plated
- Z.B—Polished, Nickel Plated, Buffed and Chromium Plated
- Z.C—Hardened and Chromium Plated
- Z.D—Polished and Chromium Plated
- Z.G—Bright Rumbled, Nickel Plated, Bright Rumbled and Chromium Plated
- Z.J—Nickel and Chromium Plated
- Z.T—Copper and Chromium Plated

These letters **MUST BE USED** when they appear in the list; and **AFTER** the number as in the list.

In this series:

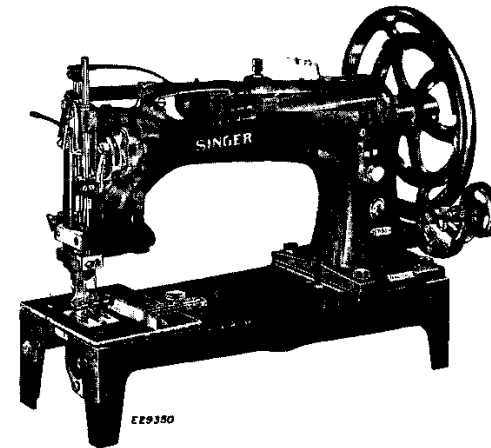
- 1 to 1500, 50001 to 51500 and 140001 to 142,000 are screw numbers
- 1501 to 1800 and 51500 to 51800 are nut numbers
- 1801 to 2000 and 51801 to 52000 are roller numbers
- 2001 to 50000 and 52001 to 140000 and 142001 to 190000 are Sewing Machine Parts, 190001 and upward are numbers of Electrical Parts.

The figures in the second column refer only to the plates, illustrating the parts, and are **NOT TO BE USED** in ordering.

Parts marked with an asterisk (*) are furnished only when repairs are made at the factory.

When ordering parts which differ as to gauge (the distance between seams), the gauge as well as the number must be given on the order.

LIST OF PARTS COMPLETE
FOR



MACHINE NO. 7-58

FOR GENERAL WORK IN CANVAS. TWO NEEDLES.
TWO SHUTTLES. GAUGES 3/4 INCH, 7/8 INCH
AND 1 INCH. LENGTH OF STITCH 2 TO 8 TO
THE INCH. NEEDLE BAR STROKE 2-1/4 INCHES.
CLEARANCE UNDER PRESSER FOOT 9/16 INCH.
INDEPENDENT UPPER AND UNDER FEED.
SPEED UP TO 500, DEPENDING ON MATERIAL
USED AND OPERATIONS PERFORMED.

No.	Plate	Name
*19964	-----	Arm
8702	22809	Arm Dowel Pin (2)
58564	22809	Arm Oil Tube for oiling Arm Shaft Intermediate Bearing
50348E	22809	Arm Screw (4)
58678	22809	Arm Shaft
11354	22809	Arm Shaft Bushing
437AL	22809	Arm Shaft Bushing Set Screw
949D	22809	Arm Shaft Screw
9842	22809	Arm Shaft Screw Washer
19668	22811	Arm Side Cover
65D	22811	Arm Side Cover Hinge Screw
*19556	-----	Bed
58218	22812	Cloth Plate
51464	22812	Cloth Plate Screw (4)

PARTS FOR MACHINE No. 7-58

No.	Plate	Name
11363	22809	Crank Connecting Rod with two 145E
145E	22809	Crank Connecting Rod Cap Screw (2)
565C	22809	Crank Connecting Rod Hinge Screw
1513J	22809	Crank Connecting Rod Hinge Screw Nut
58327	22814	Feed (lower) Bar
307C	22814	Feed (lower) Bar Screw Center (2)
1513J	22814	Feed (lower) Bar Screw Center Nut (2)
56814	-----	Feed (lower) Bar Screw Center 307C with 1513J (2)
11367	22809	Feed (lower) Cam with two 445C
445C	22809	Feed (lower) Cam Set Screw (2)
11368	22809	Feed (lower) Connecting Link
565C	22809	Feed (lower) Connecting Link Hinge Screw (2)
1513J	22809	Feed (lower) Connecting Link Hinge Screw Nut (2)
58328	22816	Feed (lower) Dog, 13 teeth (10 teeth to the inch)
		NOTE: When ordering No. 58328, state gauge required.
381D	22816	Feed (lower) Dog Screw (2)
11370	22809	Feed (lower) Forked Connection
58231	-----	Feed (lower) Forked Connection 11370 with 11368, 11375, 50322D and two each 565C and 1513J
565C	22809	Feed (lower) Forked Connection Hinge Screw
1513J	22809	Feed (lower) Forked Connection Hinge Screw Nut
19970	22814	Feed (lower) Lifting Rock Shaft with 134E, 2022 and 19967
19971	-----	Feed (lower) Lifting Rock Shaft complete, Nos. 19812 and 19970
19812	22814	Feed (lower) Lifting Rock Shaft Crank with 346E and 1861
346E	22814	Feed (lower) Lifting Rock Shaft Crank Clamping Screw
1861	22814	Feed (lower) Lifting Rock Shaft Crank Roller and Stud
564C	22814	Feed (lower) Lifting Rock Shaft Screw Center (2)
58384	-----	Feed (lower) Lifting Rock Shaft Screw Center 564C with 1508E (2)
1508E	22814	Feed (lower) Lifting Rock Shaft Screw Center Nut (2)
19967	22814	Feed (lower) Lifting Rock Shaft Wearing Block
2022	22814	Feed (lower) Lifting Rock Shaft Wearing Block Position Pin
134E	22814	Feed (lower) Lifting Rock Shaft Wearing Block Screw

PARTS FOR MACHINE No. 7-58

No.	Plate	Name
11375	22809	Feed (lower) Regulator
568E	22809	Feed (lower) Regulator Hinge Screw
50322D	22809	Feed (lower) Regulator Thumb Screw
58233	22814	Feed (lower) Rock Shaft
58234	-----	Feed (lower) Rock Shaft complete, Nos. 58233 and 58235
58235	22814	Feed (lower) Rock Shaft Crank with 346E
346E	22814	Feed (lower) Rock Shaft Crank Clamping Screw
564C	22814	Feed (lower) Rock Shaft Screw Center (2)
58384	-----	Feed (lower) Rock Shaft Screw Center 564C with 1508E (2)
1508E	22814	Feed (lower) Rock Shaft Screw Center Nut (2)
19669	22820	Feed (upper) Bar
19670	22822	Feed (upper) Bar Guide Bracket (lower) with 456AL
19671	-----	Feed (upper) Bar Guide Bracket (lower) complete, for 3/4 in. to 1-1/8 in. gauge, Nos. 19670, 19672 and two 190E
19672	22822	Feed (upper) Bar Guide Bracket (lower) Cap
190E	22822	Feed (upper) Bar Guide Bracket (lower) Cap Screw (2)
2117	22822	Feed (upper) Bar Guide Bracket (lower) Pin
456AL	22822	Feed (upper) Bar Guide Bracket (lower) Set Screw
19673	22820	Feed (upper) Bar Guide Bracket (upper) for 3/4 in. to 1-1/8 in. gauge
159D	22820	Feed (upper) Bar Guide Bracket (upper) Screw (back)
134D	22820	Feed (upper) Bar Guide Bracket (upper) Screw (front)
19674	22820	Feed (upper) Bar Hinge Bracket with 145E, 795C and two 445C
145E	22820	Feed (upper) Bar Hinge Bracket Adjusting Screw
19675	22824	Feed (upper) Bar Hinge Bracket Guide Plate
381D	22824	Feed (upper) Bar Hinge Bracket Guide Plate Screw (2)
795C	22820	Feed (upper) Bar Hinge Bracket Set Screw (long)
445C	22820	Feed (upper) Bar Hinge Bracket Set Screw (short) (2)
448AL	22820	Feed (upper) Bar Hinge Bracket Support Screw
1520E	22820	Feed (upper) Bar Hinge Bracket Support Screw Nut
23D	22820	Feed (upper) Bar Hinge Screw

PARTS FOR MACHINE No. 7-58

No.	Plate	Name
58511	22809	Feed (upper) Cam with two 445C
445C	22809	Feed (upper) Cam Set Screw (2)
19527	22825	Feed (upper) Connecting Link
65D	22825	Feed (upper) Connecting Link Hinge Screw
19528	22825	Feed (upper) Regulator with 231C and 453AL
912C	22825	Feed (upper) Regulator Adjusting Screw....
1596D	22825	Feed (upper) Regulator Adjusting Screw Nut
19529	22825	Feed (upper) Regulator Adjusting Screw Sleeve.....
231C	22825	Feed (upper) Regulator Adjusting Screw Stop Screw
3012	22825	Feed (upper) Regulator Pin
453AL	22825	Feed (upper) Regulator Set Screw.....
19677	22825	Feed (upper) Regulator Shaft
11708	22825	Feed (upper) Regulator Shaft Driving Crank with 453AL and 1804
3012	22825	Feed (upper) Regulator Shaft Driving Crank Pin
1804	22825	Feed (upper) Regulator Shaft Driving Crank Roller and Stud
453AL	22825	Feed (upper) Regulator Shaft Driving Crank Set Screw
11698	22825	Feed (upper) Shaft
19678	22825	Feed (upper) Shaft Crank with 453AL, 1518E and 1845
2117	22825	Feed (upper) Shaft Crank Pin
1845	22825	Feed (upper) Shaft Crank Roller and Screw Stud
1518E	22825	Feed (upper) Shaft Crank Roller and Screw Stud Nut
453AL	22825	Feed (upper) Shaft Crank Set Screw
19532	22825	Feed (upper) Shaft Driving Crank with 453AL
2117	22825	Feed (upper) Shaft Driving Crank Pin
453AL	22825	Feed (upper) Shaft Driving Crank Set Screw
19679	22816	Feeding Foot.....
	NOTE:	When ordering No. 19679, state gauge required.
690D	22816	Feeding Foot Screw
1654C	22816	Feeding Foot Screw Nut
26419	23969	Guide (6 in. face)
885D	23969	Guide Thumb Screw
19535	22822	Lifting Presser Bar
19536	-----	Lifting Presser Bar 19535 with 64052
19680	23970	Lifting Presser Bar Bell Crank.....
19681	-----	Lifting Presser Bar Bell Crank complete, Nos. 611C, 19540 and 19680
19539	23970	Lifting Presser Bar Bell Crank Adjusting Link

PARTS FOR MACHINE No. 7-58

No.	Plate	Name
19540	-----	Lifting Presser Bar Bell Crank Adjusting Link complete, Nos. 1518E, 1828, 2718 and 19539.....
1828	23970	Lifting Presser Bar Bell Crank Adjusting Link Roller with 372C
372C	23970	Lifting Presser Bar Bell Crank Adjusting Link Roller Screw
1518E	23970	Lifting Presser Bar Bell Crank Adjusting Link Roller Screw Nut
2718	23970	Lifting Presser Bar Bell Crank Adjusting Link Roller Screw Nut Washer
611C	23970	Lifting Presser Bar Bell Crank Adjusting Link Screw
19682	22822	Lifting Presser Bar Bell Crank Connecting Stud with 445C and 523C
523C	22822	Lifting Presser Bar Bell Crank Connecting Stud Set Screw (large)
445C	22822	Lifting Presser Bar Bell Crank Connecting Stud Set Screw (small)
51260AL	23970	Lifting Presser Bar Bell Crank Hinge Screw
51609E	23970	Lifting Presser Bar Bell Crank Hinge Screw Nut
11909	22820	Lifting Presser Bar Lifter with 8761 and 8763.....
8760	22820	Lifting Presser Bar Lifter Friction Washer
16D	22820	Lifting Presser Bar Lifter Hinge Screw ..
8761	22820	Lifting Presser Bar Lifter Stop Pin
19683	22820	Lifting Presser Bar Lifting Link
8763	22820	Lifting Presser Bar Lifting Link Hinge Stud
8973	22820	Lifting Presser Bar Lifting Link Hinge Stud Pin
43267	22820	Lifting Presser Bar Lifting Link Hinge Stud Washer
257E	22822	Lifting Presser Bar Screw Bushing (lower)
913E	22822	Lifting Presser Bar Screw Bushing(upper)
11031	23971	Lifting Presser Bar Spring (flat)
58252	23971	Lifting Presser Bar Spring Bracket
1177D	23971	Lifting Presser Bar Spring Bracket Screw (2)
11661	23971	Lifting Presser Bar Spring Guide Pin
50323D	23971	Lifting Presser Bar Spring Regulating Thumb Screw
58677	23973	Machine Pulley (10 in. diam.) 1/2 in. "V" Belt Groove, with two 350C
350C	23973	Machine Pulley Set Screw (2)
19732	23974	Needle Bar
19735	-----	Needle Bar complete, with Adjustable Clamps for 3/4 in to 1-1/8 in. gauges, Nos. 19732, 19733, 19734 and two 898D

No.	Plate	Name
566C	23974	Needle Bar Connecting Link Hinge Screw
1513J	23974	Needle Bar Connecting Link Hinge Screw Nut
58203	-----	Needle Bar Connecting Stud with Link and 129E and 445F
129E	23974	Needle Bar Connecting Stud Clamping Screw
445F	23974	Needle Bar Connecting Stud Set Screw
257E	23974	Needle Bar Screw Bushing (2)
19733	23974	Needle Clamp (left) with 191F
19734	23974	Needle Clamp (right) with 191F
898D	23974	Needle Clamp Screw (2)
191F	23974	Needle Set Screw (2)
*58253	-----	Oil Cup
11917	22811	Oil Cup Cover
9084	22811	Oil Cup Cover Hinge Pin
2205	22811	Oil Cup Cover Latch Spring
207F	22811	Oil Cup Cover Latch Spring Screw
8953	22811	Oil or Wax Stripper (felt) (2)
11918	22811	Oil or Wax Stripper Washer (steel) for use with 11917
8482	22811	Oil or Wax Stripper Washer (steel) for use with 58253
207F	22811	Oil or Wax Stripper Washer Screw (2)
58254	22811	Oil Cup complete, Nos. 2205, 8482, 9084, 11917, 11918, 58253, two 8953 and three 207F
134D	22811	Oil Cup Screw
58573	23976	Oscillating Rock Shaft
58566	-----	Oscillating Rock Shaft complete, Nos. 1508J, 11165, 51237C, 58570, 58573 and 58586
58585	23976	Oscillating Rock Shaft Hinge Pin
58586	-----	Oscillating Rock Shaft Hinge Pin 58585 with 1508J
1508J	23976	Oscillating Rock Shaft Hinge Pin Nut
51237C	23976	Oscillating Rock Shaft Hinge Pin Screw Bearing
1508J	23976	Oscillating Rock Shaft Hinge Pin Screw Bearing Nut
11165	23976	Oscillating Rock Shaft Oil Pad
58567	23976	Oscillating Rock Shaft Oil Tube
58570	-----	Oscillating Rock Shaft Oil Tube complete, Nos. 58567, 58568 and 127848
58568	23976	Oscillating Rock Shaft Oil Tube Joint
127848	23976	Oscillating Rock Shaft Oil Tube Oil Cup
19567	23976	Oscillating Shaft
11848	23976	Oscillating Shaft Crank
19696	-----	Oscillating Shaft Crank complete, Nos. 453AL, 1513J, 5868 and 11848
40025	23976	Oscillating Shaft Crank Pin

No.	Plate	Name
453AL	23976	Oscillating Shaft Crank Set Screw
9119	23976	Oscillating Shaft Crank Slide Block
5868	-----	Oscillating Shaft Crank Slide Block complete, Nos. 190E, 1054C, 5968 and 9119
190E	23976	Oscillating Shaft Crank Slide Block Cap Screw
5968	23976	Oscillating Shaft Crank Slide Block Cap Screw Washer
1054C	23976	Oscillating Shaft Crank Slide Block Screw Stud
1513J	23976	Oscillating Shaft Crank Slide Block Screw Stud Nut
11910	23979	Shuttle (inside) Bobbin
58512	23979	Shuttle (inside) Cylinder
58513	-----	Shuttle (inside) Cylinder 58512 with 774F and 58515
58527	23979	Shuttle (inside) Cylinder Hinge Pin
58625	23979	Shuttle (inside) Cylinder Latch
12002	23979	Shuttle (inside) Cylinder Latch Pin
122419	23979	Shuttle (inside) Cylinder Latch Spring
120571	23986	Shuttle (inside) Cylinder Opener
58660	23979	Shuttle (inside) Frame
58661	-----	Shuttle (inside) Frame 58660 with 12002, 58625 and 122419
774F	23979	Shuttle (inside) Tension Regulating Screw
58515	23979	Shuttle (inside) Tension Spring
58662	23979	Shuttle (inside, cylinder) 3 in. diam. complete, Nos. 11910, 58513, 58527, 58661 and 120571
11910	23979	Shuttle (outside) Bobbin
58517	23979	Shuttle (outside) Cylinder
58518	-----	Shuttle (outside) Cylinder 58517 with 774F and 58520
58527	23979	Shuttle (outside) Cylinder Hinge Pin
58626	23979	Shuttle (outside) Cylinder Latch
12002	23979	Shuttle (outside) Cylinder Latch Pin
122419	23979	Shuttle (outside) Cylinder Latch Spring
120571	23986	Shuttle (outside) Cylinder Opener
58663	23979	Shuttle (outside) Frame
58664	-----	Shuttle (outside) Frame 58663 with 12002, 58626 and 122419
774F	23979	Shuttle (outside) Tension Regulating Screw
58520	23979	Shuttle (outside) Tension Spring
58665	23979	Shuttle (outside, cylinder) 3 in. diam. complete, Nos. 11910, 58518, 58527, 58664 and 120571
19572	23976	Shuttle Driver with 445C
		NOTE: When ordering No. 19572, state gauge required.

No.	Plate	Name
8873	23976	Shuttle Driver Pin
445C	23976	Shuttle Driver Set Screw
19575	23982	Shuttle Race Back (inside)
19576	23982	Shuttle Race Back (outside)
11833	23982	Shuttle Race Back Position Pin (4)
19577	23982	Shuttle Race Back Spring (2)
32D	23982	Shuttle Race Back Spring Screw (2)
19578	23982	Shuttle Race Body
		NOTE: When ordering No. 19578, state gauge required
19579	23982	Shuttle Race complete, Nos. 19575, 19576, 19578, two each 32D, 19577 and four 11833
		NOTE: When ordering No. 19579, state gauge required.
58277	23982	Shuttle Race Dowel Pin (2)
123D	23982	Shuttle Race Screw (2)
11241	22824	Tension Friction Washer (cloth) large
8879	22824	Tension Friction Washer (cloth) small (2)
		NOTE: When ordering No. 8879, state color required.
19684	22824	Tension Friction Washer (steel)
1535E	22824	Tension Regulating Thumb Nut
8787	22824	Tension Regulating Thumb Nut Washer
710E	22824	Tension Screw Stud
58599	-----	Tension Screw Stud 710E with 1535E
19685	22824	Tension Screw Stud Flange
19686	22824	Tension Spring
19687	22824	Tension Thread Guard
164D	22824	Tension Thread Guard Screw
41544	22824	Tension Thread Guard Screw Washer
58795	22824	Tension Wheel (2)
19889	22824	Tension (wheel) complete, Nos. 8787, 11241, 19684, 19685, 19686, 58599 and two each 8879 and 58795
19689	23985	Thread Eyelet (double) top of arm
166D	23985	Thread Eyelet Screw
2102	23985	Thread Retaining Disc (4)
1560C	23985	Thread Retaining Regulating Thumb Nut (2)
8905	23985	Thread Retaining Regulating Thumb Nut Washer (2)
408E	23985	Thread Retaining Screw Stud
58600	-----	Thread Retaining Screw Stud 408E with 1560C
686E	23985	Thread Retaining Screw Stud
58590	-----	Thread Retaining Screw Stud 686E with 1560C
2103	23985	Thread Retaining Spring (2)
11425	23985	Thread Retaining Thread Eyelet for use with 11426
11950	23985	Thread Retaining Thread Eyelet for use with 11041

No.	Plate	Name
11426	23985	Thread Retainer (long stud) complete, Nos. 2103, 8905, 58600 and two 2102
11041	23985	Thread Retainer (short stud) complete, Nos. 2103, 8905, 58590 and two 2102
11428	22809	Thread Take-up Cam with two 434C
8873	22809	Thread Take-up Cam Pin
434C	22809	Thread Take-up Cam Set Screw (2)
58301	22809	Thread Take-up Lever
58302	-----	Thread Take-up Lever 58301 with 1995
58316	-----	Thread Take-up Lever 58302 with 50437D
50437D	22809	Thread Take-up Lever Hinge Screw
1995	22809	Thread Take-up Lever Roller and Screw Stud with 1518E
1518E	22809	Thread Take-up Lever Roller and Screw Stud Nut
19690	22824	Thread Take-up Spring
19614	22824	Thread Take-up Spring Hook for 19691
19694	22824	Thread Take-up Spring Hook for 19675
19691	22824	Thread Take-up Spring Lever with 19614 and 19793
19692	22824	Thread Take-up Spring Lever Regulator
164D	22824	Thread Take-up Spring Lever Regulator Screw
41544	22824	Thread Take-up Spring Lever Regulator Screw Washer
19793	22824	Thread Take-up Spring Lever Stop Pin
19693	22824	Thread Take-up Spring Lever Washer
19591	22816	Throat Plate Body
19997	22816	Throat Plate Needle Hole Strip (left) for 3/4 in. to 1 in. gauges, in steps of 1/16 in.
		NOTE: When ordering No. 19997, state gauge required.
19592	22816	Throat Plate Needle Hole Strip (right) for 3/4 in., 13/16 in., 7/8 in., 15/16 in. and 1 in. gauges
		NOTE: When ordering No. 19592, state gauge required.
401D	22816	Throat Plate Needle Hole Strip Screw (4)
19593	22816	Throat Plate complete, Nos. 19591, 19592, 19997 and four 401D, for 3/4 in. individual gauge, and from 13/16 in. to 1 in. gauges.
		NOTE: When ordering No. 19593, state gauge required.
381D	22816	Throat Plate Screw (2)

LIST OF PARTS COMPLETE

FOR

MACHINE NO. 7-61

FOR GENERAL WORK IN CANVAS. TWO NEEDLES.
TWO SHUTTLES. GAUGES 1 INCH TO 1-1/2 INCH.
LENGTH OF STITCH 2 TO 8 TO THE INCH. NEE-
DLE BAR STROKE 2-1/4 INCHES. CLEARANCE
UNDER PRESSER FOOT 1/2 INCH. INDEPENDENT
UPPER AND UNDER FEED. SPEED UP TO 500,
DEPENDING ON MATERIAL USED AND OPERA-
TIONS PERFORMED.

No.	Plate	Name
*58339	-----	Arm
19785	22810	Arm Dowel Pin (2)
50347E	22810	Arm Screw (4)
43263	22810	Arm Screw Washer (4)
58683	22810	Arm Shaft
11354	22810	Arm Shaft Bushing
437AL	22810	Arm Shaft Bushing Set Screw
949D	22810	Arm Shaft Screw
9842	22810	Arm Shaft Screw Washer
19668	22811	Arm Side Cover
65D	22811	Arm Side Cover Hinge Screw
*19756	-----	Bed
58387	22813	Cloth Plate for use with 58438
58413	22813	Cloth Plate for use with 58425, 58429, 58457 and 58584
145D	22813	Cloth Plate Screw (4)
19758	22810	Crank Connecting Rod with two 575E
575E	22810	Crank Connecting Rod Cap Screw (2)
1151C	22810	Crank Connecting Rod Hinge Screw
1646E	22810	Crank Connecting Rod Hinge Screw Nut
58446	22815	Feed (lower) Bar
307C	22815	Feed (lower) Bar Screw Center (2)
1513J	22815	Feed (lower) Bar Screw Center Nut (2)
56814	-----	Feed (lower) Bar Screw Center 307C with 1513J (2)
11367	22810	Feed (lower) Cam with two 445C
445C	22810	Feed (lower) Cam Set Screw (2)
11368	22810	Feed (lower) Connecting Link
565C	22810	Feed (lower) Connecting Link Hinge Screw (2)
1513J	22810	Feed (lower) Connecting Link Hinge Screw Nut (2)
58389	22817	Feed (lower) Dog 13 teeth (10 teeth to the inch) for 1 in. gauge
58414	22818	Feed (lower) Dog 16 teeth (10 teeth to the inch) for 1-1/8 in. and 1-1/4 in. gauges

PARTS FOR MACHINE No. 7-61

No.	Plate	Name
58415	22819	Feed (lower) Dog 16 teeth (10 teeth to the inch) for 1-3/8 in. and 1-1/2 in. gauges ..
		NOTE: When ordering Nos. 58414 and 58415, state gauge required.
177D	22817	Feed (lower) Dog Screw (4)
19762	22810	Feed (lower) Forked Connection
58284	-----	Feed (lower) Forked Connection 19762 with 11368, 11375, 50322D and two each 565C and 1513J
565C	22810	Feed (lower) Forked Connection Hinge Screw
1513J	22810	Feed (lower) Forked Connection Hinge Screw Nut.....
58390	22815	Feed (lower) Lifting Rock Shaft with 134E, 2022 and 19967
58391	-----	Feed (lower) Lifting Rock Shaft complete, Nos. 58390 and two 19819
19819	22815	Feed (lower) Lifting Rock Shaft Crank with 346E and 1861 (2)
346E	22815	Feed (lower) Lifting Rock Shaft Crank Clamping Screw (2)
1861	22815	Feed (lower) Lifting Rock Shaft Crank Roller and Stud (2)
1015C	22815	Feed (lower) Lifting Rock Shaft Screw Center (left)
1503E	22815	Feed (lower) Lifting Rock Shaft Screw Center (left) Nut
294C	22815	Feed (lower) Lifting Rock Shaft Screw Center (right)
1503E	22815	Feed (lower) Lifting Rock Shaft Screw Center (right) Nut
19967	22815	Feed (lower) Lifting Rock Shaft Wearing Block
2022	22815	Feed (lower) Lifting Rock Shaft Wearing Block Position Pin
134E	22815	Feed (lower) Lifting Rock Shaft Wearing Block Screw
11375	22810	Feed (lower) Regulator
568E	22810	Feed (lower) Regulator Hinge Screw
50322D	22810	Feed (lower) Regulator Thumb Screw
58392	22815	Feed (lower) Rock Shaft
58393	-----	Feed (lower) Rock Shaft complete, Nos. 58235 and 58392
58235	22815	Feed (lower) Rock Shaft Crank with 346E
346E	22815	Feed (lower) Rock Shaft Crank Clamping Screw
1015C	22815	Feed (lower) Rock Shaft Screw Center (left)
1503E	22815	Feed (lower) Rock Shaft Screw Center (left) Nut
294C	22815	Feed (lower) Rock Shaft Screw Center (right)

PARTS FOR MACHINE No. 7-61

No.	Plate	Name
1503E	22815	Feed (lower) Rock Shaft Screw Center (right) Nut
19669	22821	Feed (upper) Bar
19670	22822	Feed (upper) Bar Guide Bracket (lower) with 456AL for 19671
58348	22823	Feed (upper) Bar Guide Bracket (lower) with 456AL for 58349
19671	-----	Feed (upper) Bar Guide Bracket (lower) complete for 3/4 in. to 1-1/8 in. gauge, Nos. 19670, 19672 and two 190E
19672	22822	Feed (upper) Bar Guide Bracket (lower) Cap
58349	-----	Feed (upper) Bar Guide Bracket (lower) complete for 1-1/4 in. to 1-1/2 in. gauge Nos. 58348, 58350 and two 190E
58350	22823	Feed (upper) Bar Guide Bracket (lower) Cap
190E	22823	Feed (upper) Bar Guide Bracket (lower) Cap Screw (2)
2117	22823	Feed (upper) Bar Guide Bracket (lower) Pin
456AL	22823	Feed (upper) Bar Guide Bracket (lower) Set Screw
19673	22820	Feed (upper) Bar Guide Bracket (upper) for 3/4 in. to 1-1/8 in. gauge
58351	22821	Feed (upper) Bar Guide Bracket (upper) with 11424 for 1-1/4 in. to 1-1/2 in. gauge
159D	22821	Feed (upper) Bar Guide Bracket (upper) Screw (back)
134D	22821	Feed (upper) Bar Guide Bracket (upper) Screw (front)
19674	22821	Feed (upper) Bar Hinge Bracket with 145E, 795C and two 445C
145E	22821	Feed (upper) Bar Hinge Bracket Adjusting Screw
19675	22824	Feed (upper) Bar Hinge Bracket Guide Plate
381D	22824	Feed (upper) Bar Hinge Bracket Guide Plate Screw (2)
795C	22821	Feed (upper) Bar Hinge Bracket Set Screw (long)
445C	22821	Feed (upper) Bar Hinge Bracket Set Screw (short) (2)
448AL	22821	Feed (upper) Bar Hinge Bracket Support Screw
1520E	22821	Feed (upper) Bar Hinge Bracket Support Screw Nut
23D	22821	Feed (upper) Bar Hinge Screw
58511	22810	Feed (upper) Cam with two 445C
445C	22810	Feed (upper) Cam Set Screw (2)
19527	22825	Feed (upper) Connecting Link
65D	22825	Feed (upper) Connecting Link Hinge Screw

PARTS FOR MACHINE No. 7-61

No.	Plate	Name
19528	22825	Feed (upper) Regulator with 231C and 453AL
912C	22825	Feed (upper) Regulator Adjusting Screw....
1596D	22825	Feed (upper) Regulator Adjusting Screw Nut
19529	22825	Feed (upper) Regulator Adjusting Screw Sleeve
231C	22825	Feed (upper) Regulator Adjusting Screw Stop Screw
3012	22825	Feed (upper) Regulator Pin
453AL	22825	Feed (upper) Regulator Set Screw
19677	22825	Feed (upper) Regulator Shaft
11708	22825	Feed (upper) Regulator Shaft Driving Crank with 453AL and 1804
3012	22825	Feed (upper) Regulator Shaft Driving Crank Pin
1804	22825	Feed (upper) Regulator Shaft Driving Crank Roller and Stud
453AL	22825	Feed (upper) Regulator Shaft Driving Crank Set Screw
11698	22825	Feed (upper) Shaft
19678	22825	Feed (upper) Shaft Crank with 453AL, 1518E and 1845
2117	22825	Feed (upper) Shaft Crank Pin
1845	22825	Feed (upper) Shaft Crank Roller and Screw Stud
1518E	22825	Feed (upper) Shaft Crank Roller and Screw Stud Nut
453AL	22825	Feed (upper) Shaft Crank Set Screw
19532	22825	Feed (upper) Shaft Driving Crank with 453AL
2117	22825	Feed (upper) Shaft Driving Crank Pin
453AL	22825	Feed (upper) Shaft Driving Crank Set Screw
58352	22817	Feeding Foot
		NOTE: When ordering No. 58352, state gauge required.
690D	22817	Feeding Foot Screw
1654C	22817	Feeding Foot Screw Nut
26176	23969	Guide
885D	23969	Guide Thumb Screw
19535	22823	Lifting Presser Bar
19536	-----	Lifting Presser Bar 19535 with 64052
19680	23970	Lifting Presser Bar Bell Crank
19681	-----	Lifting Presser Bar Bell Crank complete, Nos. 611C, 19540 and 19680
19539	23970	Lifting Presser Bar Bell Crank Adjusting Link
19540	-----	Lifting Presser Bar Bell Crank Adjusting Link complete Nos. 1518E, 1828, 2718 and 19539

PARTS FOR MACHINE No. 7-61

No.	Plate	Name
1828	23970	Lifting Presser Bar Bell Crank Adjusting Link Roller with 372C
372C	23970	Lifting Presser Bar Bell Crank Adjusting Link Roller Screw
1518E	23970	Lifting Presser Bar Bell Crank Adjusting Link Roller Screw Nut
2718	23970	Lifting Presser Bar Bell Crank Adjusting Link Screw Nut Washer
611C	23970	Lifting Presser Bar Bell Crank Adjusting Link Screw
19682	22823	Lifting Presser Bar Bell Crank Connecting Stud with 445C and 523C
523C	22823	Lifting Presser Bar Bell Crank Connecting Stud Set Screw (large)
445C	22823	Lifting Presser Bar Bell Crank Connecting Stud Set Screw (small)
51260AL	23970	Lifting Presser Bar Bell Crank Hinge Screw
51609E	23970	Lifting Presser Bar Bell Crank Hinge Screw Nut
11909	22821	Lifting Presser Bar Lifter with 8761 and 8763
8760	22821	Lifting Presser Bar Lifter Friction Washer
16D	22821	Lifting Presser Bar Lifter Hinge Screw ...
8761	22821	Lifting Presser Bar Lifter Stop Pin
19683	22821	Lifting Presser Bar Lifting Link
8763	22821	Lifting Presser Bar Lifting Link Hinge Stud
8973	22821	Lifting Presser Bar Lifting Link Hinge Stud Pin
43267	22821	Lifting Presser Bar Lifting Link Hinge Stud Washer
257E	22823	Lifting Presser Bar Screw Bushing (lower)
913E	22823	Lifting Presser Bar Screw Bushing (upper)
58434	23972	Lifting Presser Bar Spring (flat)
58252	23972	Lifting Presser Bar Spring Bracket
1177D	23972	Lifting Presser Bar Spring Bracket Screw (2)
11661	23972	Lifting Presser Bar Spring Guide Pin
50323D	23972	Lifting Presser Bar Spring Regulating Thumb Screw
58677	23973	Machine Pulley (10 in. diam.) 1/2 in. "V" Belt Groove, with two 350C
350C	23973	Machine Pulley Set Screw (2)
19732	23974	Needle Bar for 19735
58353	23975	Needle Bar for 58354
19735	-----	Needle Bar complete with Adjustable Clamps for 3/4 in. to 1-1/8 in. gauges, Nos. 19732, 19733, 19734 and two 898D ..
		NOTE: When ordering No. 19735, state gauge required.

No.	Plate	Name
58354	-----	Needle Bar complete with adjustable clamps for 1-1/4 in. to 1-1/2 in gauges, Nos. 58353, 58355, 58356 and two 898D....
		NOTE: When ordering No. 58354, state gauge required.
566C	23975	Needle Bar Connecting Link Hinge Screw
1513J	23975	Needle Bar Connecting Link Hinge Screw Nut
129E	23975	Needle Bar Connecting Stud Clamping Screw
58203	-----	Needle Bar Connecting Stud with Link and 129E and 445F
445F	23975	Needle Bar Connecting Stud Set Screw
257E	23975	Needle Bar Screw Bushing (2)
19733	23974	Needle Clamp (left) with 191F, for 19735
58355	23975	Needle Clamp (left) with 191F, for 58354
19734	23974	Needle Clamp (right) with 191F, for 19735
58356	23975	Needle Clamp (right) with 191F, for 58354
898D	23975	Needle Clamp Screw (2)
191F	23975	Needle Set Screw (2)
58253	-----	Oil Cup
11917	22811	Oil Cup Cover
9084	22811	Oil Cup Cover Hinge Pin.....
2205	22811	Oil Cup Cover Latch Spring
207F	22811	Oil Cup Cover Latch Spring Screw
8953	22811	Oil or Wax Stripper (felt) (2)
11918	22811	Oil or Wax Stripper Washer (steel) for use with 11917
8482	22811	Oil or Wax Stripper Washer (steel) for use with 58253
207F	22811	Oil or Wax Stripper Washer Screw (2).....
58254	22811	Oil Cup complete Nos. 2205, 9084, 11917, 11918, 58253, two 8953 and three 207F.....
134D	22811	Oil Cup Screw.....
58550	23977	Oscillating Rock Shaft
58551	-----	Oscillating Rock Shaft complete, Nos. 1593J, 11165, 51227C, 58550, 58555 and 58595
58552	23977	Oscillating Rock Shaft Hinge Pin
58595	-----	Oscillating Rock Shaft Hinge Pin 58552 with 1503J
1503J	23977	Oscillating Rock Shaft Hinge Pin Nut
51227C	23977	Oscillating Rock Shaft Hinge Pin Screw Bearing
1503J	23977	Oscillating Rock Shaft Hinge Pin Screw Bearing Nut
11165	23977	Oscillating Rock Shaft Oil Pad
58553	23977	Oscillating Rock Shaft Oil Tube
58555	-----	Oscillating Rock Shaft Oil Tube Complete Nos. 58553, 58554 and 68350

No.	Plate	Name
58554	23977	Oscillating Rock Shaft Oil Tube Joint
68350	23977	Oscillating Rock Shaft Oil Tube Oil Cup ..
19769	23977	Oscillating Shaft
19770	23977	Oscillating Shaft Crank with 445C
19789	-----	Oscillating Shaft Crank complete, Nos. 1508E, 19770 and 19773
9216	23977	Oscillating Shaft Crank Pin
445C	23977	Oscillating Shaft Crank Set Screw
19771	23977	Oscillating Shaft Crank Slide Block
19773	-----	Oscillating Shaft Crank Slide Block complete, Nos. 164D, 1156C, 19771 and 19772
164D	23977	Oscillating Shaft Crank Slide Block Cap Screw
19772	23977	Oscillating Shaft Crank Slide Block Cap Screw Washer
1156C	23977	Oscillating Shaft Crank Slide Block Screw Stud
1508E	23977	Oscillating Shaft Crank Slide Block Screw Stud Nut
16901	23980	Shuttle (inside) Bobbin
43274	23980	Shuttle (inside) Cylinder
43286	-----	Shuttle (inside) Cylinder 43274 with 1323F and 8895
8777	23980	Shuttle (inside) Cylinder Hinge Pin
43239	23980	Shuttle (inside) Cylinder Latch
43236	23980	Shuttle (inside) Cylinder Latch Hinge Pin
19869	23980	Shuttle (inside) Cylinder Latch Spring
2057	23986	Shuttle (inside) Cylinder Opener
43240	23980	Shuttle (inside) Frame
43255	-----	Shuttle (inside) Frame 43240 with 19869, 43236 and 43239
1323F	23980	Shuttle (inside) Tension Regulating Screw
8895	23980	Shuttle (inside) Tension Spring
43275	23980	Shuttle (inside cylinder) 4 in. diam. complete for 1 in and 1-1/8 in. gauges, Nos. 8777, 16901, 43255 and 43286
16901	23981	Shuttle (inside) Bobbin
58357	23981	Shuttle (inside) Cylinder
58405	-----	Shuttle (inside) Cylinder 58357 with 1323F and 8895
8777	23981	Shuttle (inside) Cylinder Hinge Pin
8893	23981	Shuttle (inside) Cylinder Latch Spring
330J	23981	Shuttle (inside) Cylinder Latch Spring Screw
8894	23981	Shuttle (inside) Frame
43250	-----	Shuttle (inside) Frame 8894 with 330J and 8893
1323F	23981	Shuttle (inside) Tension Regulating Screw
8895	23981	Shuttle (inside) Tension Spring
58358	23981	Shuttle (inside cylinder) complete for 1-1/4 in. to 1-1/2 in. gauges, Nos. 8777, 16901, 43250 and 58405

PARTS FOR MACHINE No. 7-61

No.	Plate	Name
16901	23980	Shuttle (outside) Bobbin
43282	23980	Shuttle (outside) Cylinder
43287	-----	Shuttle (outside) Cylinder 43282 with 1323F and 8900
8777	23980	Shuttle (outside) Cylinder Hinge Pin
43235	23980	Shuttle (outside) Cylinder Latch
43236	23980	Shuttle (outside) Cylinder Latch Hinge Pin
19869	23980	Shuttle (outside) Cylinder Latch Spring
120571	23986	Shuttle (outside) Cylinder Opener
43242	23980	Shuttle (outside) Frame
43256	-----	Shuttle (outside) Frame 43242 with 19869, 43235 and 43236
1323F	23980	Shuttle (outside) Tension Regulating Screw
8900	23980	Shuttle (outside) Tension Spring
43283	23980	Shuttle (outside cylinder) 4 in. diam., complete for 1 in. and 1-1/8 in. gauges, Nos. 8777, 16901, 43256 and 43287
16901	23981	Shuttle (outside) Bobbin
58359	23981	Shuttle (outside) Cylinder
58403	-----	Shuttle (outside) Cylinder 58359 with 1323F and 8780
8777	23981	Shuttle (outside) Cylinder Hinge Pin
8778	23981	Shuttle (outside) Cylinder Latch Spring
330J	23981	Shuttle (outside) Cylinder Latch Spring Screw
8779	23981	Shuttle (outside) Frame
1323F	23981	Shuttle (outside) Tension Regulating Screw
8780	23981	Shuttle (outside) Tension Spring
58360	23981	Shuttle (outside, cylinder) complete for 1-1/4 in. to 1-1/2 in. gauges, Nos. 8777, 16901, 43249 and 58403
19774	23977	Shuttle Driver with 445C for 1 in. to 1-1/8 in. gauges
		NOTE: When ordering No. 19774 state gauge required.
58361	23978	Shuttle Driver with 445C for 1-1/4 in. to 1-1/2 in. gauges.
		NOTE: When ordering No. 58361 state gauge required.
8055	23977	Shuttle Driver Pin
445C	23977	Shuttle Driver Set Screw
19775	23983	Shuttle Race Body, for 1 in. to 1-1/8 in. gauges
		NOTE: When ordering No. 19775, state gauge required.
19776	23983	Shuttle Race Ring (inside)
19777	23983	Shuttle Race Ring (outside)
134E	23983	Shuttle Race Ring Screw (6)

PARTS FOR MACHINE No. 7-61

No.	Plate	Name
19778	23983	Shuttle Race complete for 1 in. to 1-1/8 in. gauges, Nos. 19775, 19776, 19777 and six 134E
		NOTE: When ordering No. 19778 state gauge required.
58362	23984	Shuttle Race Body for 1-1/4 in. to 1-1/2 in. gauges
		NOTE: When ordering No. 58362 state gauge required.
58363	23984	Shuttle Race Ring (inside)
58364	23984	Shuttle Race Ring (outside)
134E	23984	Shuttle Race Ring Screw (6)
58365	23984	Shuttle Race complete for 1-1/4 in. to 1-1/2 in. gauges, Nos. 58362, 58363, 58364 and six 134E
		NOTE: When ordering No. 58365 state gauge required.
58277	23983	Shuttle Race Dowel Pin (2)
123D	23983	Shuttle Race Screw (2)
11241	22824	Tension Friction Washer (cloth) large
8879	22824	Tension Friction Washer (cloth) small (2) NOTE: When ordering No. 8879, state color required.
19684	22824	Tension Friction Washer (steel)
1535E	22824	Tension Regulating Thumb Nut
8787	22824	Tension Regulating Thumb Nut Washer
710E	22824	Tension Screw Stud
58599	-----	Tension Screw Stud 710E with 1535E
19685	22824	Tension Screw Stud Flange
19686	22824	Tension Spring
19687	22824	Tension Thread Guard
164D	22824	Tension Thread Guard Screw
41544	22824	Tension Thread Guard Screw Washer
58795	22824	Tension Wheel (2)
19889	22824	Tension (wheel) complete, Nos. 8787, 11241, 19684, 19685, 19686, 58599 and two each 8879 and 58795
11424	22821	Thread Eyelet for 58351
19689	23985	Thread Eyelet (double) top of arm
166D	23985	Thread Eyelet Screw
2102	23985	Thread Retaining Disc (4)
1560C	23985	Thread Retaining Regulating Thumb Nut (2)
8905	23985	Thread Retaining Regulating Thumb Nut Washer (2)
408E	23985	Thread Retaining Screw Stud
58600	-----	Thread Retaining Screw Stud 408E with 1560C
686E	23985	Thread Retaining Screw Stud
58590	-----	Thread Retaining Screw Stud 686E with 1560C

No.	Plate	Name
2103	23985	Thread Regulating Spring (2)
11425	23985	Thread Retaining Thread Eyelet for use with 11426
11950	23985	Thread Retaining Thread Eyelet for use with 11041
11426	23985	Thread Retainer (long stud) complete, Nos. 2103, 8905, 58600 and two 2102
11041	23985	Thread Retainer (short stud) complete, Nos. 2103, 8905, 58590 and two 2102
58412	22810	Thread Take-up Cam (steel) with two 434C
8873	22810	Thread Take-up Cam Pin
434C	22810	Thread Take-up Cam Set Screw (2)
58680	22810	Thread Take-up Lever
58681	-----	Thread Take-up Lever 58680 with 1995
58682	-----	Thread Take-up Lever 58681 with 50437D
50437D	22810	Thread Take-up Lever Hinge Screw
1995	22810	Thread Take-up Lever Roller and Screw Stud with 1518E
1518E	22810	Thread Take-up Lever Roller and Screw Stud Nut
19690	22824	Thread Take-up Spring
19614	22824	Thread Take-up Spring Hook for 19691
19694	22824	Thread Take-up Spring Hook for 19675
19691	22824	Thread Take-up Spring Lever with 19614 and 19793
19692	22824	Thread Take-up Spring Lever Regulator ..
164D	22824	Thread Take-up Spring Lever Regulator Screw
41544	22824	Thread Take-up Spring Lever Regulator Screw Washer
19793	22824	Thread Take-up Spring Lever Stop Pin
19693	22824	Thread Take-up Spring Lever Washer
58435	22817	Throat Plate Body for 58438
58454	22818	Throat Plate Body for 58457 and 58584
58422	22819	Throat Plate Body for 58425
58426	22819	Throat Plate Body for 58429
58583	22818	Throat Plate Needle Hole Strip for 58584 (2)
58436	22817	Throat Plate Needle Hole Strip (left) for 58438
58455	22818	Throat Plate Needle Hole Strip (left) for 58457
58423	22819	Throat Plate Needle Hole Strip (left) for 58425
58427	22819	Throat Plate Needle Hole Strip (left) for 58429
58437	22817	Throat Plate Needle Hole Strip (right) for 58438
58456	22818	Throat Plate Needle Hole Strip (right) for 58457

No.	Plate	Name
58424	22819	Throat Plate Needle Hole Strip (right) for 58425
58428	22819	Throat Plate Needle Hole Strip (right) for 58429
742F	22817	Throat Plate Needle Hole Strip Screw for 58438, 58457 and 58584 (4)
691AL	22819	Throat Plate Needle Hole Strip Screw for 58425 and 58429 (4)
58438	22817	Throat Plate complete for 1 in. gauge, for use with 58389, Nos. 58435, 58436, 58437 and four 742F
58457	22818	Throat Plate complete for 1-1/8 in. gauge, for use with 58414, Nos. 58454, 58455, 58456 and four 742F
58584	22818	Throat Plate complete for 1-1/4 in. gauge, for use with 58414, Nos. 58454, two 58583 and four 742F
58425	22819	Throat Plate complete for 1-3/8 in. gauge, for use with 58415, Nos. 58422, 58423, 58424 and four 691AL
58429	22819	Throat Plate complete for 1-1/2 in. gauge, for use with 58415, Nos. 58426, 58427, 58428 and four 691AL
51062D	22817	Throat Plate Screw (2)

ACCESSORIES

No.	Plate	Name
11361	23986	Bed Bracket (left) with wood screw 1 in. No. 16 (2)
11360	23986	Bed Bracket (right) with wood screw 1 in. No. 16 (2)
51074E	23986	Bed Bracket Bolt with 51581E (4)
51581E	23986	Bed Bracket Bolt Nut (4)
120344	23986	Oiler (copper plated) with 120345
120345	23986	Oiler Spout.....
11831	23986	Screw Driver (large)
26026	23986	Screw Driver (small)
8908	23986	Wrench for 1520
8909	23986	Wrench for 1513, 1518 and 50323
8910	23986	Wrench for 1508
8911	23986	Wrench for 1503
23535	23986	Wrench for 346

BOBBIN WINDER

(swinging automatic, left hand)

For No. 7-58 Machine

No.	Plate	Name
41894	23987	Base with 449AL
894E	23987	Base Screw (3)
41895	23987	Bobbin Carrier Key
151114	23973	Bracket
140370D	23973	Bracket Screw
9842	23973	Bracket Screw Washer
41896	23987	Frame
41441	23987	Frame Hinge Pin
449AL	23987	Frame Hinge Pin Set Screw
4784	23987	Frame Oil Pad (felt) (2)
41897	23987	Frame Spring
43270	23987	Friction Pulley with 43271, two 448AL and ten 5604
43271	23987	Friction Pulley Ring (leather)
5604	23987	Friction Pulley Ring Rivet (10)
448AL	23987	Friction Pulley Set Screw (2)
41898	23987	Spindle with 41895
41557	23987	Stop Latch
151147	-----	Stop Latch 41557 with 2269 and 41446
41446	23987	Stop Latch Hinge Pin
2269	23987	Stop Latch Pin
41899	23987	Tripping Arm with 176E
176E	23987	Tripping Arm Clamping Screw
41900	23987	Bobbin Winder, Nos. 41441, 41894, 41896, 41897, 41898, 41899, 43270, 151147 and two 4784.....

BOBBIN WINDER
(Automatic left hand)
for No. 7-61 Machine

No.	Plate	Name
41894	23988	Base with 449AL
894E	23988	Base Screw (3)
60213	23988	Bobbin Position Pin
151114	23973	Bracket
140370D	23973	Bracket Screw
9842	23973	Bracket Screw Washer
41896	23988	Frame
41441	23988	Frame Hinge Pin
449AL	23988	Frame Hinge Pin Set Screw
4784	23988	Frame Oil Pad (felt) (2)
41897	23988	Frame Spring
43270	23988	Friction Pulley with 43271, two 448AL and ten 5604
43271	23988	Friction Pulley Ring (leather)
5604	23988	Friction Pulley Ring Rivet (10)
448AL	23988	Friction Pulley Set Screw (2)
60214	23988	Spindle
454AL	23988	Spindle Set Screw
60215	23988	Spindle Shaft with 454AL and 60213
60216	23988	Stop Latch
11107	23988	Stop Latch Hinge Pin
2269	23988	Stop Latch Pin
41899	23988	Tripping Arm with 176E
176E	23988	Tripping Arm Clamping Screw
60217	23988	Bobbin Winder, Nos. 2269, 11107, 41441, 41894, 41896, 41897, 41899, 43270, 60214, 60215, 60216 and two 4784

FOOT LIFTER PARTS

No.	Plate	Name
13351	23989	Chain, length 46 in. to 55 in., with 56864 and 56865
		NOTE: When ordering No. 13351 give length required.
4879	23989	Chain Connecting Link
56864	23989	Chain Hook (large)
56865	23989	Chain Hook (small)
64052	22822	Lifting Collar with 1149AL
1149AL	22822	Lifting Collar Set Screw
58311	23971	Lifting Lever
8055	23971	Lifting Lever Hinge Pin
19520	23971	Lifting Lever Spring
32D	23971	Lifting Lever Spring Screw
4881	23989	Treadle

FOOT LIFTER PARTS
(Continued)

No.	Plate	Name
4882	23989	Treadle Shaft
4883	23989	Treadle Spring
4884	23989	Treadle Stand
4885	23989	Treadle complete, Nos. 4879, 4881, 4882, 4883, 4884 and two wood screws 1 in. No. 16

THREAD UNWINDER PARTS

No.	Plate	Name
27306	23990	Spool Pin (3)
27777	23990	Spool Rest
27778	-----	Spool Rest 27777 with 168J and three 27306
168J	23990	Spool Rest Set Screw
259658	23990	Spool Stand with 200383C
2102	23990	Tension Disc (2)
1560C	23990	Tension Regulating Thumb Nut
828C	23990	Tension Screw Stud
42418	-----	Tension Screw Stud 828C with 1560C
2103	23990	Tension Spring
5769	23990	Tension Thread Eyelet
17547	23990	Tension Thread Guard
60610	23990	Thread Guard
27560	23990	Thread Guard Rod, 26 in. long
200383C	23990	Thread Guard Rod, Set Screw
330E	23990	Thread Guard Set Screw
60611	-----	Thread Guard complete, Nos. 330E, 2103, 5769, 17547, 42418, 60610 and two 2102
60612	23990	Thread Unwinder complete for three spools Nos. 27560, 27778, 60611, 259658 and three wood screws 1-1/4 in. No. 12

NUMERICAL LIST OF PARTS

No.	Plate	Name
16D	22820	Lifting Presser Bar Lifter Hinge Screw
23D	22820	Feed (upper) Bar Hinge Screw
32D	23982	Shuttle Race Back Spring Screw for 19579
32D	23971	Foot Lifter Lifting Lever Spring Screw
65D	22811	Arm Side Cover Hinge Screw
65D	22825	Feed (upper) Connecting Link Hinge Screw
123D	23982	Shuttle Race Screw
129E	23974	Needle Bar Connecting Stud Clamping Screw for 58203
134E	22814	Feed (lower) Lifting Rock Shaft Wearing Block Screw for 19970 and 58390
134D	22820	Feed (upper) Bar Guide Bracket (upper) Screw (front)
134D	22811	Oil Cup Screw
134E	23983	Shuttle Race Ring Screw for 19778 and 58365
145D	22813	Cloth Plate Screw for No. 7-61 Machine ..
145E	22809	Crank Connecting Rod Cap Screw for 11363
145E	22820	Feed (upper) Bar Hinge Bracket Adjusting Screw for 19674
159D	22820	Feed (upper) Bar Guide Bracket (upper) Screw (back)
164D	23977	Oscillating Shaft Crank Slide Block Cap Screw for 19773
164D	22824	Tension Thread Guard Screw
164D	22824	Thread Take-up Spring Lever Regulator Screw
166D	23985	Thread Eyelet Screw
168J	23990	Thread Unwinder Spool Rest Set Screw for 27778
176E	23987	Bobbin Winder Tripping Arm Clamping Screw for 41899
177D	22817	Feed (lower) Dog Screw for No. 7-61 Machine
190E	22822	Feed (upper) Bar Guide Bracket (lower) Cap Screw for 19671 and 58349
190E	23976	Oscillating Shaft Crank Slide Block Cap Screw for 5868
191F	23974	Needle Set Screw for 19733, 19734, 58355 and 58356
207F	22811	Oil Cup Cover Latch Spring Screw for 58254
207F	22811	Oil or Wax Stripper Washer Screw for 58254
231C	22825	Feed (upper) Regulator Adjusting Screw Stop Screw for 19528
257E	22822	Lifting Presser Bar Screw Bushing (lower)
257E	23974	Needle Bar Screw Bushing
294C	22815	Feed (lower) Lifting Rock Shaft Screw Center (right) for 7-61 Machine

No.	Plate	Name
294C	22815	Feed (lower) Rock Shaft Screw Center (right) for No. 7-61 Machine
307C	22814	Feed (lower) Bar Screw Center for 56814
330J	23981	Shuttle (inside) Cylinder Latch Spring Screw for 43250
330J	23981	Shuttle (outside) Cylinder Latch Spring Screw for 43249
330J	23990	Thread Unwinder Thread Guard Set Screw for 60611
346E	22814	Feed (lower) Lifting Rock Shaft Crank Clamping Screw for 19812 and 19819
346E	22814	Feed (lower) Rock Shaft Crank Clamping Screw for 58235
350C	23973	Machine Pulley Set Screw for 58677
372C	23970	Lifting Presser Bar Bell Crank Adjusting Link Roller Screw for 1828
381D	22816	Feed (lower) Dog Screw for No. 7-58 Machine
381D	22824	Feed (upper) Bar Hinge Bracket Guide Plate Screw
381D	22816	Throat Plate Screw for No. 7-58 Machine
401D	22816	Throat Plate Needle Hole Strip Screw for 19593
408E	23985	Thread Retaining Screw Stud for 58600
434C	22809	Thread Take-up Cam Set Screw for 11429 and 58412
437AL	22809	Arm Shaft Bushing Set Screw
445C	22809	Feed (lower) Cam Set Screw for 11367
445C	22820	Feed (upper) Bar Hinge Bracket Set Screw (short) for 19674
445C	22809	Feed (upper) Cam Set Screw for 58511
445C	22822	Lifting Presser Bar Bell Crank Connecting Stud Set Screw (small) for 19682
445F	23974	Needle Bar Connecting Stud Set Screw for 58203
445C	23977	Oscillating Shaft Crank Set Screw for 19770
445C	23976	Shuttle Driver Set Screw for 19572, 19774 and 58361
448AL	22820	Feed (upper) Bar Hinge Bracket Support Screw
448AL	23987	Bobbin Winder Friction Pulley Set Screw for 43270
449AL	23987	Bobbin Winder Frame Hinge Pin Set Screw for 41894
453AL	22825	Feed (upper) Regulator Set Screw for 19528
453AL	22825	Feed (upper) Regulator Shaft Driving Crank Set Screw for 11708
453AL	22825	Feed (upper) Shaft Crank Set Screw for 19678

No.	Plate	Name
453AL	22825	Feed (upper) Shaft Driving Crank Set Screw for 19532
453AL	23976	Oscillating Shaft Crank Set Screw for 19696
454AL	23988	Spindle Set Screw for 60215
456AL	22822	Feed (upper) Bar Guide Bracket (lower) Set Screw for 19670 and 58348
523C	22822	Lifting Presser Bar Bell Crank Connecting Stud Set Screw (large) for 19682
564C	22814	Feed (lower) Lifting Rock Shaft Screw Center for 58384
564C	22814	Feed (lower) Rock Shaft Screw Center for 58384
565C	22809	Crank Connecting Rod Hinge Screw for No. 7-58 Machine
565C	22809	Feed (lower) Connecting Link Hinge Screw for 58231 and 58284
565C	22809	Feed (lower) Forked Connection Hinge Screw
566C	23974	Needle Bar Connecting Link Hinge Screw
568E	22809	Feed (lower) Regulator Hinge Screw
575E	22810	Crank Connecting Rod Cap Screw for 19758
611C	23970	Lifting Presser Bar Bell Crank Adjusting Link Screw for 19681
686E	23985	Thread Retaining Screw Stud for 58590
690D	22816	Feeding Foot Screw
691AL	22819	Throat Plate Needle Hole Strip Screw for 58425 and 58429
710E	22824	Tension Screw Stud for 58599
742F	22817	Throat Plate Needle Hole Strip Screw for 58438, 58457 and 58584
774F	23979	Shuttle (inside) Tension Regulating Screw for 58513
774F	23979	Shuttle (outside) Tension Regulating Screw for 58518
795C	22820	Feed (upper) Bar Hinge Bracket Set Screw (long) for 19674
828C	23990	Thread Unwinder Tension Screw Stud for 42418
885D	23969	Guide Thumb Screw
894E	23987	Bobbin Winder Base Screw
898D	23974	Needle Clamp Screw for 19735 and 58354
912C	22825	Feed (upper) Regulator Adjusting Screw ..
913E	22822	Lifting Presser Bar Screw Bushing (upper)
949D	22809	Arm Shaft Screw
1015C	22815	Feed (lower) Lifting Rock Shaft Screw Center (left) for No. 7-61 Machine
1015C	22815	Feed (lower) Rock Shaft Screw Center (left) for No. 7-61 Machine

NUMERICAL LIST OF PARTS

No.	Plate	Name
1054C	23976	Oscillating Shaft Crank Slide Block Screw Stud for 5868
1149AL	22822	Foot Lifter Lifting Collar Set Screw for 64052
1151C	22810	Crank Connecting Rod Hinge Screw for No. 7-61 Machine
1156C	23977	Oscillating Shaft Crank Slide Block Screw Stud for 19773
1177D	23971	Lifting Presser Bar Spring Bracket Screw
1323F	23980	Shuttle (inside) Tension Regulating Screw for 43286 and 58405
1323F	23980	Shuttle (outside) Tension Regulating Screw for 43287 and 58403
1503E	22815	Feed (lower) Lifting Rock Shaft Screw Center (left) Nut for No. 7-61 Machine
1503E	22815	Feed (lower) Lifting Rock Shaft Screw Center (right) Nut for No. 7-61 Machine
1503E	22815	Feed (lower) Rock Shaft Screw Center (left) Nut for No. 7-61 Machine
1503E	22815	Feed (lower) Rock Shaft Screw Center (right) Nut for No. 7-61 Machine
1503J	23977	Oscillating Rock Shaft Hinge Pin Nut for 58595
1503J	23977	Oscillating Rock Shaft Hinge Pin Screw Bearing Nut for 58551
1508E	22814	Feed (lower) Lifting Rock Shaft Screw Center Nut for 58384
1508E	22814	Feed (lower) Rock Shaft Screw Center Nut for 58384.....
1508J	23976	Oscillating Rock Shaft Hinge Pin Nut for 58586
1508J	23976	Oscillating Rock Shaft Hinge Pin Screw Bearing Nut for 58566
1508E	23977	Oscillating Shaft Crank Slide Block Screw Stud Nut for 19789
1513J	22809	Crank Connecting Rod Hinge Screw Nut for No. 7-58 Machine
1513J	22814	Feed (lower) Bar Screw Center Nut for 56814
1513J	22809	Feed (lower) Connecting Link Hinge Screw Nut for 58231 and 58284
1513J	22809	Feed (lower) Forked Connection Hinge Screw Nut
1513J	23974	Needle Bar Connecting Link Hinge Screw Nut
1513J	23976	Oscillating Shaft Crank Slide Block Screw Stud Nut for 19696
1518E	22825	Feed (upper) Shaft Crank Roller and Screw Stud Nut for 19678
1518E	23970	Lifting Presser Bar Bell Crank Adjusting Link Roller Screw Nut for 19540

NUMERICAL LIST OF PARTS

No.	Plate	Name
1518E	22809	Thread Take-up Lever Roller and Screw Stud Nut for 1995
1520E	22820	Feed (upper) Bar Hinge Bracket Support Screw Nut
1535E	22824	Tension Regulating Thumb Nut for 58599
1560C	23985	Thread Retaining Regulating Thumb Nut for 58590 and 58600
1560C	23990	Thread Unwinder Tension Regulating Thumb Nut for 42418
1596D	22825	Feed (upper) Regulator Adjusting Screw Nut
1646E	22810	Crank Connecting Rod Hinge Screw Nut for No 7-61 Machine
1654C	22816	Feeding Foot Screw Nut
1804	22825	Feed (upper) Regulator Shaft Driving Crank Roller and Stud for 11708
1828	23970	Lifting Presser Bar Bell Crank Adjusting Link Roller with 372C, for 19540
1845	22825	Feed (upper) Shaft Crank Roller and Screw Stud for 19678
1861	22814	Feed (lower) Lifting Rock Shaft Crank Roller and Stud for 19812 and 19819
1995	22809	Thread Take-up Lever Roller and Screw Stud with 1518E, for 58302 and 58681
2022	22814	Feed (lower) Lifting Rock Shaft Wearing Block Position Pin for 19970 and 58390
2102	23985	Thread Retaining Disc for 11041 and 11426
2102	23990	Thread Unwinder Tension Disc for 60611
2103	23985	Thread Retaining Spring for 11041 and 11426
2103	23990	Thread Unwinder Tension Spring for 60611
2117	22822	Feed (upper) Bar Guide Bracket (lower) Pin
2117	22825	Feed (upper) Shaft Crank Pin
2117	22825	Feed (upper) Shaft Driving Crank Pin
2205	22811	Oil Cup Cover Latch Spring for 58254
2269	23987	Bobbin Winder Stop Latch Pin for 60217 and 151147
2718	23970	Lifting Presser Bar Bell Crank Adjusting Link Roller Screw Nut Washer for 19540
3012	22825	Feed (upper) Regulator Pin
3012	22825	Feed (upper) Regulator Shaft Driving Crank Pin
4784	23987	Bobbin Winder Frame Oil Pad (felt) for 41900 and 60217
4879	23989	Foot Lifter Chain Connecting Link for 4885
4881	23989	Foot Lifter Treadle for 4885
4882	23989	Foot Lifter Treadle Shaft for 4885

NUMERICAL LIST OF PARTS

No.	Plate	Name
4883	23989	Foot Lifter Treadle Spring for 4885
4884	23989	Foot Lifter Treadle Stand for 4885
4885	23989	Foot Lifter Treadle complete Nos. 4879, 4881, 4882, 4883, 4884 and two wood screws 1 in. No. 16
5604	23987	Bobbin Winder Friction Pulley Ring Rivet for 43270
5769	23990	Thread Unwinder Tension Thread Eyelet for 60611
5868	-----	Oscillating Shaft Crank Slide Block complete, for 19696, Nos. 190E, 1054C, 5968 and 9119
5968	23976	Oscillating Shaft Crank Slide Block Cap Screw Washer for 5868
8055	23977	Shuttle Driver Pin for No. 7-61 Machine ..
8055	23971	Foot Lifter Lifting Lever Hinge Pin
8482	22811	Oil or Wax Stripper Washer (steel) for use with 58253, for 58254
8702	22809	Arm Dowel Pin for No. 7-58 Machine
8760	22820	Lifting Presser Bar Lifter Friction Washer
8761	22820	Lifting Presser Bar Lifter Stop Pin for 11909
8763	22820	Lifting Presser Bar Lifting Link Hinge Stud for 11909
8777	23980	Shuttle (inside) Cylinder Hinge Pin for 43275 and 58358
8777	23980	Shuttle (outside) Cylinder Hinge Pin for 43283 and 58360
8778	23981	Shuttle (outside) Cylinder Latch Spring for 43249
8779	23981	Shuttle (outside) Frame for 43249
8780	23981	Shuttle (outside) Tension Spring for 58403
8787	22824	Tension Regulating Thumb Nut Washer for 19889
8873	23976	Shuttle Driver Pin for No. 7-58 Machine ..
8873	22809	Thread Take-up Cam Pin
8879	22824	Tension Friction Washer (cloth) small for 19889
		NOTE: When ordering No. 8879, state color required.
8893	23981	Shuttle (inside) Cylinder Latch Spring for 43250
8894	23981	Shuttle (inside) Frame for 43250
8895	23980	Shuttle (inside) Tension Spring for 43286 and 58405
8900	23980	Shuttle (outside) Tension Spring for 43287
8905	23985	Thread Retaining Regulating Thumb Nut Washer for 11041 and 11426

NUMERICAL LIST OF PARTS

No.	Plate	Name
8908	23986	Wrench for 1520 (Accessories)
8909	23986	Wrench for 1513, 1518 and 50323 (Accessories)
8910	23986	Wrench for 1508 (Accessories)
8911	23986	Wrench for 1503, for No. 7-61 Machine (Accessories)
8953	22811	Oil or Wax Stripper (felt) for 58254
8973	22820	Lifting Presser Bar Lifting Link Hinge Stud Pin
9084	22811	Oil Cup Cover Hinge Pin for 58254
9119	23976	Oscillating Shaft Crank Slide Block for 5868
9216	23977	Oscillating Shaft Crank Pin for No. 7-61 Machine
9842	22809	Arm Shaft Screw Washer
9842	23973	Bobbin Winder Bracket Screw Washer
11031	23971	Lifting Presser Bar Spring (flat) for No. 7-58 Machine
11041	23985	Thread Retainer (short stud) complete, Nos. 2103, 8905, 58590 and two 2102.....
11107	23988	Bobbin Winder Stop Latch Hinge Pin for 60217
11165	23976	Oscillating Rock Shaft Oil Pad for 58551 and 58566
11241	22824	Tension Friction Washer (cloth) large for 19889
11354	22809	Arm Shaft Bushing
11360	23986	Bed Bracket (right) with wood screw 1 in. No. 16 (Accessories)
11361	23986	Bed Bracket (left) with wood screw 1 in. No. 16 (Accessories)
11363	22809	Crank Connecting Rod with two 145E, for No. 7-58 Machine
11367	22809	Feed (lower) Cam with two 445C
11368	22809	Feed (lower) Connecting Link for 58231 and 58284
11370	22809	Feed (lower) Forked Connection for 58231
11375	22809	Feed (lower) Regulator for 58231 and 58284
11424	22821	Thread Eyelet for 58351
11425	23985	Thread Retaining Thread Eyelet for use with 11426
11426	23985	Thread Retainer (long stud) complete, Nos. 2103, 8905, 58600 and two 2102
11428	22809	Thread Take-up Cam with two 434C, for No. 7-58 Machine
11661	23971	Lifting Presser Bar Spring Guide Pin
11698	22825	Feed (upper) Shaft
11708	22825	Feed (upper) Regulator Shaft Driving Crank with 453AL and 1804

NUMERICAL LIST OF PARTS

No.	Plate	Name
11831	23986	Screw Driver (large) Accessories
11833	23982	Shuttle Race Back Position Pin for 19579
11848	23976	Oscillating Shaft Crank for 19696
11909	22820	Lifting Presser Bar Lifter with 8761 and 8763
11910	23979	Shuttle (inside) Bobbin for 58662
11910	23979	Shuttle (outside) Bobbin for 58665
11917	22811	Oil Cup Cover for 58254
11918	22811	Oil or Wax Stripper Washer (steel) for use with 11917, for 58254
11950	23985	Thread Retaining Thread Eyelet for use with 11041
12002	23979	Shuttle (inside) Cylinder Latch Pin for 58661
12002	23979	Shuttle (outside) Cylinder Latch Pin for 58664
13351	23989	Foot Latch Chain, length 46 in. to 55 in., with 56864 and 56865
		NOTE: When ordering No. 13351, give length required.
16901	23980	Shuttle (inside) Bobbin for 43275 and 58358
16901	23980	Shuttle (outside) Bobbin for 43283 and 58360
17547	23990	Thread Unwinder Tension Thread Guard for 60611
19520	23971	Foot Lifter Lifting Lever Spring
19527	22825	Feed (upper) Connecting Link
19528	22825	Feed (upper) Regulator with 231C and 453AL
19529	22825	Feed (upper) Regulator Adjusting Screw Sleeve
19532	22825	Feed (upper) Shaft Driving Crank with 453AL
19535	22822	Lifting Presser Bar for 19536
19536	-----	Lifting Presser Bar 19535 with 64052
19539	23970	Lifting Presser Bar Bell Crank Adjusting Link for 19540
19540	-----	Lifting Presser Bar Bell Crank Adjusting Link complete for 19681, Nos. 1518E, 1828, 2718 and 19539
*19556	-----	Bed for No. 7-58 Machine
19567	23976	Oscillating Shaft for No. 7-58 Machine
19572	23976	Shuttle Driver with 445C, for No. 7-58 Machine
		NOTE: When ordering No. 19572, state gauge required.
19575	23982	Shuttle Race Back (inside) for 19579
19576	23982	Shuttle Race Back (outside) for 19579
19577	23982	Shuttle Race Back Spring for 19579

NUMERICAL LIST OF PARTS

No.	Plate	Name
19578	23982	Shuttle Race Body for 19579
		NOTE: When ordering No. 19578, state gauge required.
19579	23982	Shuttle Race complete, for No. 7-58 Machine, Nos. 19575, 19576, 19578, two each 32D, 19577 and four 11833
		NOTE: When ordering No. 19579, state gauge required.
19591	22816	Throat Plate Body for 19593
19592	22816	Throat Plate Needle Hole Strip (right) for 3/4 in., 13/16 in., 7/8 in., 15/16 in. and 1 in. gauges, for 19593
		NOTE: When ordering No. 19592, state gauge required.
19593	22816	Throat Plate complete, for No. 7-58 Machine, Nos. 19591, 19592, 19997 and four 401D, for 3/4 in. individual gauge and from 13/16 in. to 1 in. gauges
		NOTE: When ordering No. 19593, state gauge required.
19614	22824	Thread Take-up Spring Hook for 19691
19668	22811	Arm Side Cover
19669	22820	Feed (upper) Bar
19670	22822	Feed (upper) Bar Guide Bracket (lower) with 456AL, for 19671
19671	-----	Feed (upper) Bar Guide Bracket (lower) complete, for 3/4 in. to 1-1/8 in. gauges, Nos. 19670, 19672 and two 190E
19672	22822	Feed (upper) Bar Guide Bracket (lower) Cap for 19671
19673	22820	Feed (upper) Bar Guide Bracket (upper) for 3/4 in. to 1-1/8 in. gauges
19674	22820	Feed (upper) Bar Hinge Bracket with 145E, 795C and two 445C
19675	22824	Feed (upper) Bar Hinge Bracket Guide Plate
19677	22825	Feed (upper) Regulator Shaft
19678	22825	Feed (upper) Shaft Crank with 453AL, 1518E and 1845
19679	22816	Feeding Foot for No. 7-58 Machine
		NOTE: When ordering No. 19679, state gauge required.
19680	23970	Lifting Presser Bar Bell Crank for 19681
19681	-----	Lifting Presser Bar Bell Crank complete, Nos. 611C, 19540 and 19680
19682	22822	Lifting Presser Bar Bell Crank Connecting Stud with 445C and 523C
19683	22820	Lifting Presser Bar Lifting Link
19684	22824	Tension Friction Washer (steel) for 19889
19685	22824	Tension Screw Stud Flange for 19889

NUMERICAL LIST OF PARTS

No.	Plate	Name
19686	22824	Tension Spring for 19889
19687	22824	Tension Thread Guard
19689	23985	Thread Eyelet (double) top of arm
19690	22824	Thread Take-up Spring
19691	22824	Thread Take-up Spring Lever with 19614 and 19793
19692	22824	Thread Take-up Spring Lever Regulator ..
19693	22824	Thread Take-up Spring Lever Washer
19694	22824	Thread Take-up Spring Hook for 19675
19696	-----	Oscillating Shaft Crank complete, for No. 7-58 Machine, Nos. 453AL, 1513J, 5868 and 11848
19732	23974	Needle Bar for 19735
19733	23974	Needle Clamp (left) with 191F, for 19735 ..
19734	23974	Needle Clamp (right) with 191F, for 19735 ..
19735	-----	Needle Bar complete, with adjustable clamps for 3/4 in. to 1-1/8 in. gauges, Nos. 19732, 19733, 19734 and two 898D ..
		NOTE: When ordering No. 19735, state gauge required.
*19756	-----	Bed for No. 7-61 Machine
19758	22810	Crank Connecting Rod with two 575E, for No. 7-61 Machine
19762	22810	Feed (lower) Forked Connection for 58284 ..
19769	23977	Oscillating Shaft for No. 7-61 Machine
19770	23977	Oscillating Shaft Crank with 445C, for 19789
19771	23977	Oscillating Shaft Crank Slide Block for 19773
19772	23977	Oscillating Shaft Crank Slide Block Cap Screw Washer for 19773
19773	-----	Oscillating Shaft Crank Slide Block complete, for 19789, Nos. 164D, 1156C, 19771 and 19772
19774	23977	Shuttle Driver with 445C for 1 in. to 1-1/8 in. gauges for No 7-61 Machine
		NOTE: When ordering No. 19774, state gauge required.
19775	23983	Shuttle Race Body for 1 in to 1-1/8 in. gauges, for 19778
		NOTE: When ordering No. 19775, state gauge required.
19776	23983	Shuttle Driver Ring (inside) for 19778
19777	23983	Shuttle Race Ring (outside) for 19778 ..
19778	23983	Shuttle Race complete, for 1 in. to 1-1/8 in. gauges, for No. 7-61 Machine, Nos. 19775, 19776, 19777 and six 134E
		NOTE: When ordering No. 19778, state gauge required.
19785	22810	Arm Dowel Pin for No. 7-61 Machine

NUMERICAL LIST OF PARTS

No.	Plate	Name
19789	-----	Oscillating Shaft Crank complete, for No. 7-61 Machine, Nos. 1508E, 19770 and 19773
19793	22824	Thread Take-up Spring Lever Stop Pin for 19691
19812	22814	Feed (lower) Lifting Rock Shaft Crank with 346E and 1861, for 19971
19819	22815	Feed (lower) Lifting Rock Shaft Crank with 346E and 1861, for 58391
19869	23980	Shuttle (inside) Cylinder Latch Spring for 43255
19869	23980	Shuttle (outside) Cylinder Latch Spring for 43256
19889	22824	Tension (wheel) complete, Nos. 8787, 11241, 19684, 19685, 19686, 58599 and two each 8879 and 58795
*19964	-----	Arm for No. 7-58 Machine
19967	22814	Feed (lower) Lifting Rock Shaft Wearing Block for 19970 and 58390
19970	22814	Feed (lower) Lifting Rock Shaft with 134E 2022 and 19967, for 19971
19971	-----	Feed (lower) Lifting Rock Shaft complete, for No. 7-58 Machine, Nos. 19812 and 19970
19997	22816	Throat Plate Needle Hole Strip (left) for 3/4 in. to 1 in. gauges, in steps of 1/16 in., for 19593
		NOTE: When ordering No. 19997, state gauge required.
23535	23986	Wrench for 346 (Accessories)
26026	23986	Screw Driver (small) Accessories
26176	23969	Guide for No. 7-61 Machine
26419	23969	Guide (6 in. face) for No. 7-58 Machine ..
27306	23990	Thread Unwinder Spool Pin for 27778
27560	23990	Thread Unwinder Thread Guard Rod, 26 in. long for 60612
27777	23990	Thread Unwinder Spool Rest for 27778
27778	-----	Thread Unwinder Spool Rest 27777 with 168J and three 27306, for 60612
40025	23976	Oscillating Shaft Crank Pin for No. 7-58 Machine
41441	23987	Bobbin Winder Frame Hinge Pin for 41900 and 60217
41446	23987	Bobbin Winder Stop Latch Hinge Pin for 151147
41544	22824	Tension Thread Guard Screw Washer
41544	22824	Thread Take-up Spring Lever Regulator Screw Washer
41557	23987	Bobbin Winder Stop Latch for 151147
41894	23987	Bobbin Winder Base with 449AL, for 41900 and 60217.....

NUMERICAL LIST OF PARTS

No.	Plate	Name
41895	23987	Bobbin Winder Bobbin Carrier Key for 41898
41896	23987	Bobbin Winder Frame for 41900 and 60217
41897	23987	Bobbin Winder Frame Spring for 41900 and 60217
41898	23987	Bobbin Winder Spindle with 41895, for 41900
41899	23987	Bobbin Winder Tripping Arm with 176E, for 41900 and 60217
41900	23987	Bobbin Winder, Nos. 41441, 41894, 41896, 41897, 41898, 41899, 43270, 151147 and two 4784, for No. 7-58 Machine
42418	-----	Thread Unwinder Tension Screw Stud 828C with 1560C, for 60611
43235	23980	Shuttle (outside) Cylinder Latch for 43256
43236	23980	Shuttle (inside) Cylinder Latch Pin for 43255
43236	23980	Shuttle (outside) Cylinder Latch Hinge Pin for 43256
43239	23980	Shuttle (inside) Cylinder Latch for 43255
43240	23980	Shuttle (inside) Frame for 43255
43242	23980	Shuttle (outside) Frame for 43256
43249	-----	Shuttle (outside) Frame 8779 with 330J and 8778, for 58360
43250	-----	Shuttle (inside) Frame 8894 with 330J and 8893, for 58358
43255	-----	Shuttle (inside) Frame 43240 with 19869, 43236 and 43239, for 43275
43256	-----	Shuttle (outside) Frame 43242 with 19869, 43235 and 43236, for 43283
43263	22810	Arm Screw Washer for No. 7-61 Machine ..
43267	22820	Lifting Presser Bar Lifting Link Hinge Stud Washer
43270	23987	Bobbin Winder Friction Pulley with 43271, two 448AL and ten 5604, for 41900 and 60217
43271	23987	Bobbin Winder Friction Pulley Ring (leather) for 43270
43274	23980	Shuttle (inside) Cylinder for 43286
43275	23980	Shuttle (inside cylinder) 4 in. diam. complete, for 1 in. to 1-1/8 in. gauges, for No. 7-61 Machine, Nos. 8877, 16901, 43255 and 43286
43282	23980	Shuttle (outside) Cylinder for 43287
43283	23980	Shuttle (outside cylinder) 4 in. diam. complete for 1 in. to 1-1/8 in. gauges, for No. 7-61 Machine, Nos. 8777, 16901, 43256 and 43287
43286	-----	Shuttle (inside) Cylinder 43274 with 1323F and 8895, for 43275

NUMERICAL LIST OF PARTS

No.	Plate	Name
43287	-----	Shuttle (outside) Cylinder 43282 with 1323F and 8900, for 43283
50322D	22809	Feed (lower) Regulator Thumb Screw for 58231 and 58284
50323D	23971	Lifting Presser Bar Spring Regulating Thumb Screw
50347E	22810	Arm Screw for No. 7-61 Machines
50348E	22809	Arm Screw for No. 7-58 Machine
50437D	22809	Thread Take-up Lever Hinge Screw for 58316 and 58682
51062D	22817	Throat Plate Screw for No. 7-61 Machine
51074E	23986	Bed Bracket Bolt with 51581E (Accessories)
51227C	23977	Oscillating Rock Shaft Hinge Pin Screw Bearing for 58551
51237C	23976	Oscillating Rock Shaft Hinge Pin Screw Bearing for 58566
51260AL	23970	Lifting Presser Bar Bell Crank Hinge Screw
51464F	22812	Cloth Plate Screw for No. 7-58 Machine....
51581E	23986	Bed Bracket Bolt Nut for 51074E
51609E	23970	Lifting Presser Bar Bell Crank Hinge Screw Nut
56814	-----	Feed (lower) Bar Screw Center 307C with 1513J
56864	23989	Foot Lifter Chain Hook (Large) for 13351
56865	23989	Foot Lifter Chain Hook (small) for 13351
58203	-----	Needle Bar Connecting Stud with Link and 129E and 445F
58218	22812	Cloth Plate for No. 7-58 Machine
58231	-----	Feed (lower) Forked Connection 11370 with 11368, 11375, 50322D and two each 565C and 1513J, for No. 7-58 Machine ..
58233	22814	Feed (lower) Rock Shaft for 58234
58234	-----	Feed (lower) Rock Shaft complete, for No. 7-58 Machine Nos. 58233 and 58235 ..
58235	22814	Feed (lower) Rock Shaft Crank with 346E, for 58234 and 58393
58252	23971	Lifting Presser Bar Spring Bracket
*58253	-----	Oil Cup for 58254
58254	22811	Oil Cup complete, Nos. 2205, 8482, 9084, 11917, 11918, 58253, two 8953 and three 207F
58277	23982	Shuttle Race Dowel Pin
58284	-----	Feed (lower) Forked Connection 19762 with 11368, 11375, 50322D and two each 565C and 1513J, for No. 7-61 Machine
58301	22809	Thread Take-up Lever for 58302
58302	-----	Thread Take-up Lever 58301 with 1995, for 58316

NUMERICAL LIST OF PARTS

No.	Plate	Name
58311	23971	Foot Lifter Lifting Lever
58316	-----	Thread Take-up Lever 58302 with 50437D, for No. 7-58 Machine
58327	22814	Feed (lower) Bar for No. 7-58 Machine
58328	22816	Feed (lower) Dog, 13 teeth (10 teeth to the inch) for No. 7-58 Machine
		NOTE: When ordering No. 58328, state gauge required.
*58339	-----	Arm for No. 7-61 Machine
58348	22823	Feed (upper) Bar Guide Bracket (lower) with 456AL, for 58349
58349	-----	Feed (upper) Bar Guide Bracket (lower) complete, for 1-1/4 in. to 1-1/2 in. gauges for No. 7-61 Machines, Nos. 58348, 58350 and two 190E
58350	22823	Feed (upper) Bar Guide Bracket (lower) Cap for 58349
58351	22821	Feed (upper) Bar Guide Bracket (upper) with 11424, for 1-1/4 in. to 1-1/2 in. gauges, for No. 7-61 Machine
58352	22817	Feeding Foot for No. 7-61 Machine
		NOTE: When ordering No. 58352, state gauge required.
58353	23975	Needle Bar for 58354.....
58354	-----	Needle Bar complete with adjustable clamps for 1-1/4 in. to 1-1/2 in. gauges, for 7-61 Machine, Nos. 58353, 58355, 58356 and two 898D
		NOTE: When ordering No. 58354, state gauge required.
58355	23975	Needle Clamp (left) with 191F, for 58354
58356	23975	Needle Clamp (right) with 191F, for 58354
58357	23981	Shuttle (inside) Cylinder for 58405
58358	23981	Shuttle (inside cylinder) complete for 1-1/4 in. to 1-1/2 in. gauges, for No. 7-61 Machine, Nos. 8777, 16901, 43250 and 58405
58359	23981	Shuttle (outside) Cylinder for 58403
58360	23981	Shuttle (outside, cylinder) complete for 1-1/4 in. to 1-1/2 in. gauges, for No. 7-61 Machine, Nos. 8777, 16901, 43249 and 58403
58361	23978	Shuttle Driver with 445C for 1-1/4 in. to 1-1/2 in. gauges, for No. 7-61 Machine
		NOTE: When ordering No. 58361, state gauge required.
58362	23984	Shuttle Race Body for 1-1/4 in. to 1-1/2 in. gauges, for 58365
		NOTE: When ordering No. 58362, state gauge required.

NUMERICAL LIST OF PARTS

No.	Plate	Name
58363	23984	Shuttle Race Ring (inside) for 58365
58364	23984	Shuttle Race Ring (outside) for 58365
58365	23984	Shuttle Race complete, for 1-1/4 in. to 1-1/2 in. gauges, for No. 7-61 Machine, Nos. 58362, 58363, 58364 and six 134E ..
		NOTE: When ordering No. 58365, state gauge required.
58384	-----	Feed (lower) Lifting Rock Shaft Screw Center 564C with 1508E, for No. 7-58 Machine
58384	-----	Feed (lower) Rock Shaft Screw Center 564C with 1508E, for No. 7-58 Machine ..
58387	22813	Cloth Plate for use with 58438, for No. 7-61 Machine
58389	22817	Feed (lower) Dog, 13 teeth (10 teeth to the inch) for 1 in. gauge, for No. 7-61 Machine
58390	22815	Feed (lower) Lifting Rock Shaft with 134E, 2022 and 19967, for 58391
58391	-----	Feed (lower) Lifting Rock Shaft complete for No. 7-61 Machine, Nos. 58390 and two 19819
58392	22815	Feed (lower) Rock Shaft for 58393
58393	-----	Feed (lower) Rock Shaft complete, for No. 7-61 Machine, Nos. 58235 and 58392
58403	-----	Shuttle (outside) Cylinder 58359 with 1323F and 8780, for 58360
58405	-----	Shuttle (inside) Cylinder 58357 with 1323F and 8895, for 58358
58412	22810	Thread Take-up Cam (steel) with two 434C, for No. 7-61 Machine
58413	22813	Cloth Plate for use with 58425, 58429, 58457 and 58584, for No. 7-61 Machine
58414	22818	Feed (lower) Dog, 16 teeth (10 teeth to the inch) for 1-1/8 in. and 1-1/4 in. gauges for No. 7-61 Machine
		NOTE: When ordering No. 58414, state gauge required.
58415	22819	Feed (lower) Dog, 16 teeth (10 teeth to the inch) for 1-3/8 in. and 1-1/2 in. gauges for No. 7-61 Machine
		NOTE: When ordering No. 58415, state gauge required.
58422	22819	Throat Plate Body for 58425
58423	22819	Throat Plate Needle Hole Strip (left) for 58425
58424	22819	Throat Plate Needle Hole Strip (right) for 58425
58425	22819	Throat Plate complete, for 1-3/8 in. gauge for use with 58415, for No. 7-61 Machine Nos. 58422, 58423, 58424 and four 691AL
58426	22819	Throat Plate Body for 58429

NUMERICAL LIST OF PARTS

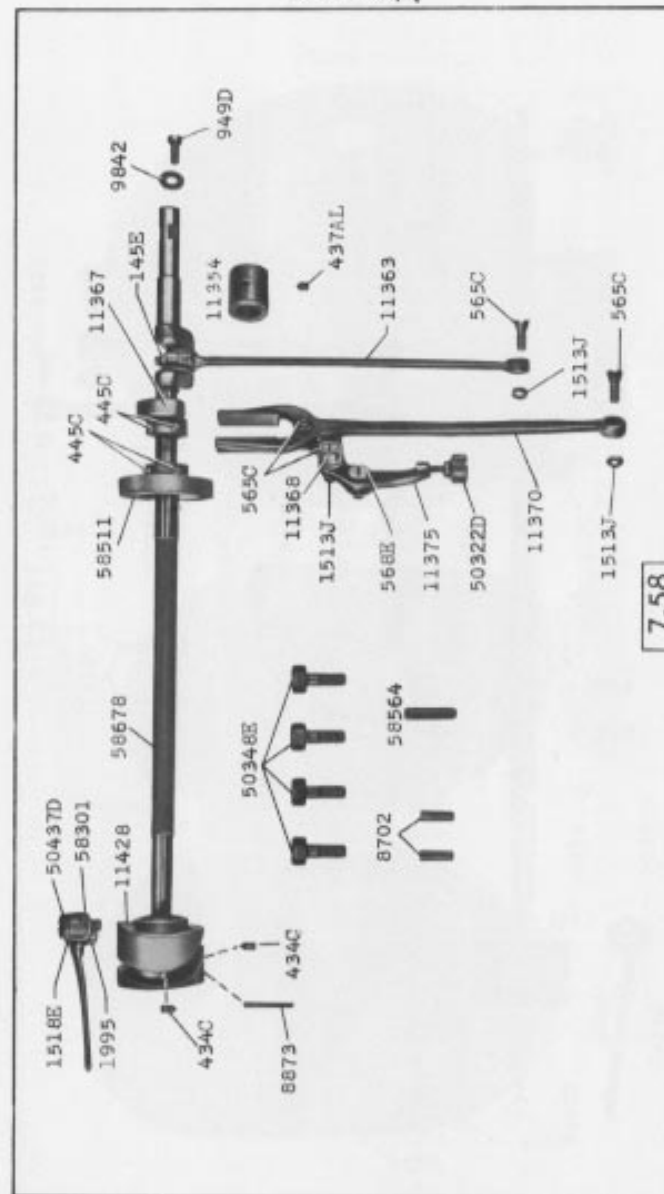
No.	Plate	Name
58427	22819	Throat Plate Needle Hole Strip (left) for 58429
58428	22819	Throat Plate Needle Hole Strip (right) for 58429
58429	22819	Throat Plate complete for 1-1/2 in. gauge for use with 58415, for No. 7-61 Machine, Nos. 58426, 58427, 58428 and four 691AL
58434	23972	Lifting Presser Bar Spring (flat) for No. 7-61 Machine
58435	22817	Throat Plate Body for 58438
58436	22817	Throat Plate Needle Hole Strip (left) for 58438
58437	22817	Throat Plate Needle Hole Strip (right) for 58438
58438	22817	Throat Plate complete, for 1 in. gauge, for use with 58389, for No. 7-61 Machine, No. 58435, 58436, 58437 and four 742F
58446	22815	Feed (lower) Bar for No. 7-61 Machine
58454	22818	Throat Plate Body for 58457 and 58584
58455	22818	Throat Plate Needle Hole Strip (left) for 58457
58456	22818	Throat Plate Needle Hole Strip (right) for 58457
58457	22818	Throat Plate complete, for 1-1/8 in. gauge for use with 58414, for No. 7-61 Machine, Nos. 58454, 58455, 58456 and four 742F
58511	22809	Feed (upper) Cam with two 445C
58512	23979	Shuttle (inside) Cylinder for 58513
58513	-----	Shuttle (inside) Cylinder 58512 with 774F and 58515, for 58662
58515	23979	Shuttle (inside) Tension Spring for 58513
58517	23979	Shuttle (outside) Cylinder for 58518
58518	-----	Shuttle (outside) Cylinder 58517 with 774F and 58520, for 58665
58520	23979	Shuttle (outside) Tension Spring for 58518
58527	23979	Shuttle (inside) Cylinder Hinge Pin for 58662
58527	23979	Shuttle (outside) Cylinder Hinge Pin for 58665
58550	23977	Oscillating Rock Shaft for 58551
58551	-----	Oscillating Rock Shaft complete, for No. 7-61 Machine, Nos. 1503J, 11165, 51227C, 58550, 58555 and 58595.....
58552	23977	Oscillating Rock Shaft Hinge Pin for 58595
58553	23977	Oscillating Rock Shaft Oil Tube for 58555
58554	23977	Oscillating Rock Shaft Oil Tube Joint for 58555
58555	-----	Oscillating Rock Shaft Oil Tube complete for 58551, Nos. 58553, 58554 and 68350 ..

NUMERICAL LIST OF PARTS

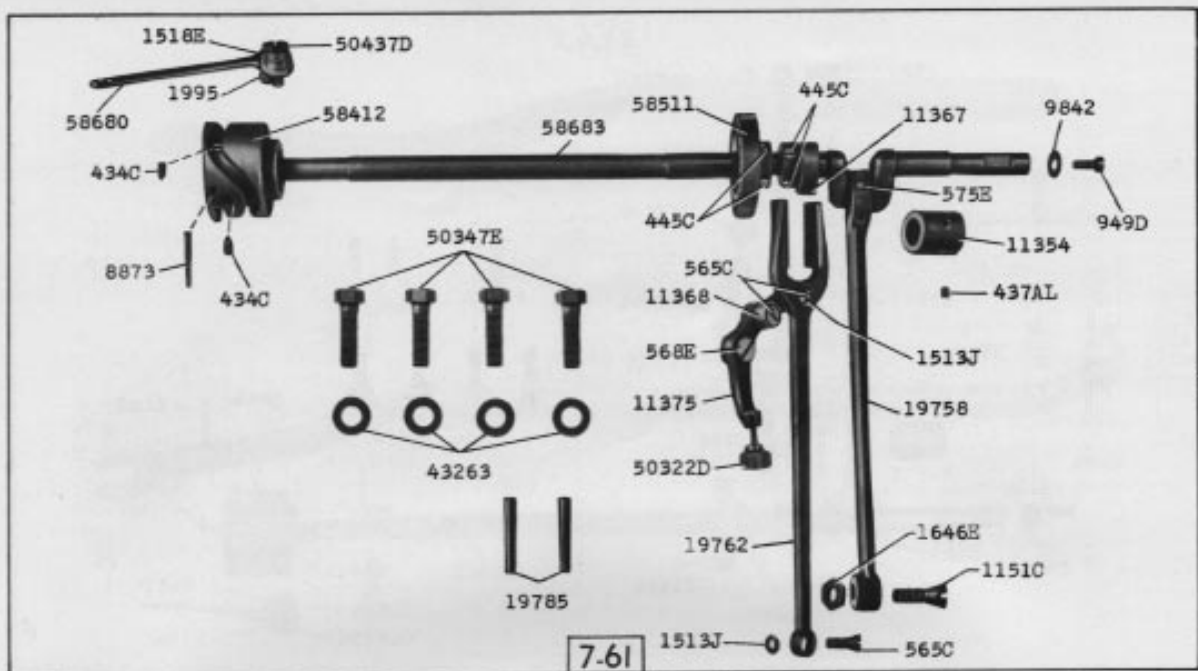
No.	Plate	Name
58564	22809	Arm Oil Tube for oiling Arm Shaft Intermediate Bearing for No. 7-58 Machine.....
58566	-----	Oscillating Rock Shaft complete, for No. 7-58 Machine, Nos. 1508J, 11165, 51237C, 58570, 58573 and 58586
58567	23976	Oscillating Rock Shaft Oil Tube for 58570
58568	23976	Oscillating Rock Shaft Oil Tube Joint for 58570
58570	-----	Oscillating Rock Shaft Oil Tube complete for 58566, Nos. 58567, 58568 and 127848
58573	23976	Oscillating Rock Shaft for 58566
58583	22818	Throat Plate Needle Hole Strip for 58584
58584	22818	Throat Plate complete, for 1-1/4 in. gauge for use with 58414, for No. 7-61 Machine, Nos. 58454, two 58583 and four 742F
58585	23976	Oscillating Rock Shaft Hinge Pin for 58586
58586	-----	Oscillating Rock Shaft Hinge Pin 58585 with 1508J, for 58566
58590	-----	Thread Retaining Screw Stud 686E with 1560C, for 11041
58595	-----	Oscillating Rock Shaft Hinge Pin 58552 with 1503J, for 58551
58599	-----	Tension Screw Stud 710E with 1535E, for 19889
58600	-----	Thread Retaining Screw Stud 408E with 1560C, for 11426
58625	23979	Shuttle (inside) Cylinder Latch for 58661
58626	23979	Shuttle (outside) Cylinder Latch for 58664
58660	23979	Shuttle (inside) Frame for 58661
58661	-----	Shuttle (inside) Frame 58660 with 12002, 58625 and 122419, for 58662
58662	23979	Shuttle (inside, cylinder) 3 in. diam. complete, for No. 7-58 Machine, Nos. 11910, 58513, 58527, 58661 and 120571
58663	23979	Shuttle (outside) Frame for 58664
58664	-----	Shuttle (outside) Frame 58663 with 12002, 58626 and 122419, for 58665
58665	23979	Shuttle (outside, cylinder) 3 in. diam. complete, for No. 7-58 Machine, Nos. 11910, 58518, 58527, 58664 and 120571
58677	23973	Machine Pulley (10 in. diam.) 1/2 in. "V" Belt groove, with two 350C
58678	22809	Arm Shaft for No. 7-58 Machine
58680	22810	Thread Take-up Lever for 58681
58681	-----	Thread Take-up Lever 58680 with 1995, for 58682
58682	-----	Thread Take-up Lever 58681 with 50437D, for No. 7-61 Machine

No.	Plate	Name
58683	22810	Arm Shaft for No. 7-61 Machine
58795	22824	Tension Wheel for 19889
60213	23988	Bobbin Winder Bobbin Position Pin for 60215
60214	23988	Bobbin Winder Spindle for 60217
60215	23988	Bobbin Winder Spindle Shaft with 454AL and 60213, for 60217
60216	23988	Bobbin Winder Stop Latch for 60217
60217	23988	Bobbin Winder, Nos. 2269, 11107, 41441, 41894, 41896, 41897, 41898, 43270, 60214, 60215, 60216 and two 4784, for No. 7-61 Machine
60610	23990	Thread Unwinder Thread Guard for 60611
60611	-----	Thread Unwinder Thread Guard complete, for 60612, Nos. 330E, 2103, 5769, 17547, 42418, 60610 and two 2102
60612	23990	Thread Unwinder complete, for three spools Nos. 27560, 27778, 60611, 259658 and three wood screws 1-1/4 in. No. 12
64052	22822	Foot Lifter Lifting Collar with 1149AL ..
68350	23977	Oscillating Rock Shaft Oil Tube Oil Cup for 58555
120344	23986	Oiler (copper plated) with 120345 (Accessories)
120345	23986	Oiler Spout, 4-1/2 in. long for 120344 ..
120571	23986	Shuttle (inside) Cylinder Opener for 58662 and for No. 7-61 Machine
120571	23986	Shuttle (outside) Cylinder Opener for 58665 and for No. 7-61 Machine.....
122419	23979	Shuttle (inside) Cylinder Latch Spring for 58661
122419	23979	Shuttle (outside) Cylinder Latch Spring for 58664
127848	23976	Oscillating Rock Shaft Oil Tube Oil Cup for 58570
140370D	23973	Bobbin Winder Bracket Screw
151114	23973	Bobbin Winder Bracket
151147	-----	Bobbin Winder Stop Latch 41557 with 2269 and 41446, for 41900
200383C	23990	Thread Unwinder Thread Guard Rod Set Screw for 259658
259658	23990	Thread Unwinder Spool Stand with 200383C, for 60612

22809-1/4

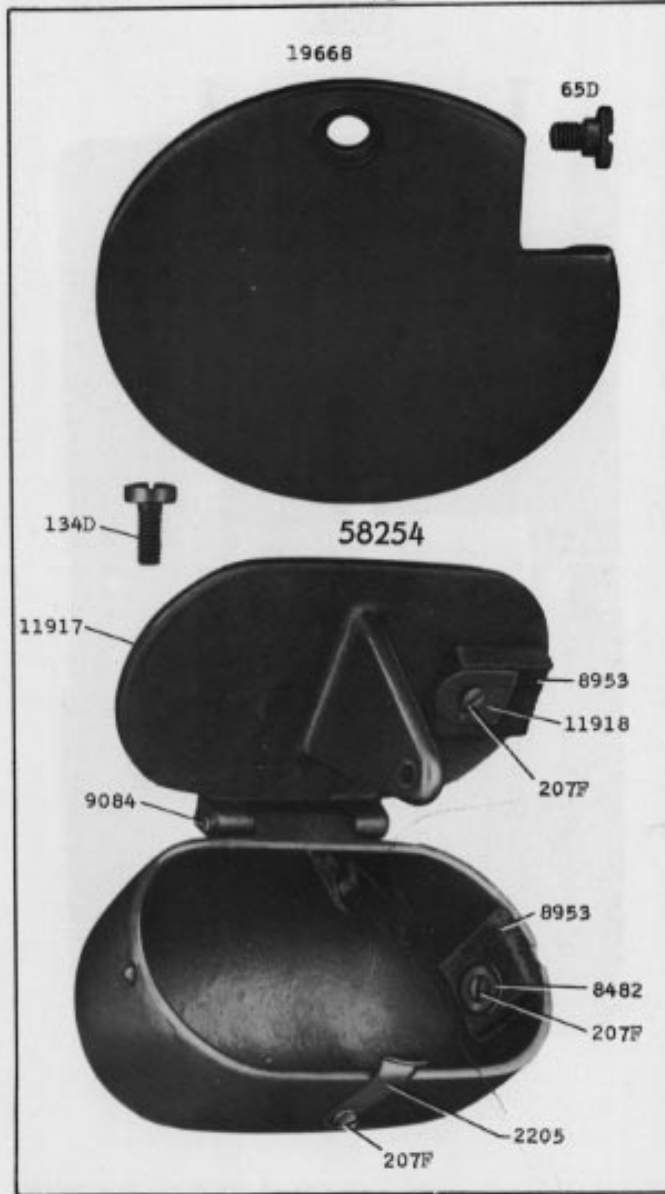


7-58



22810-1/4

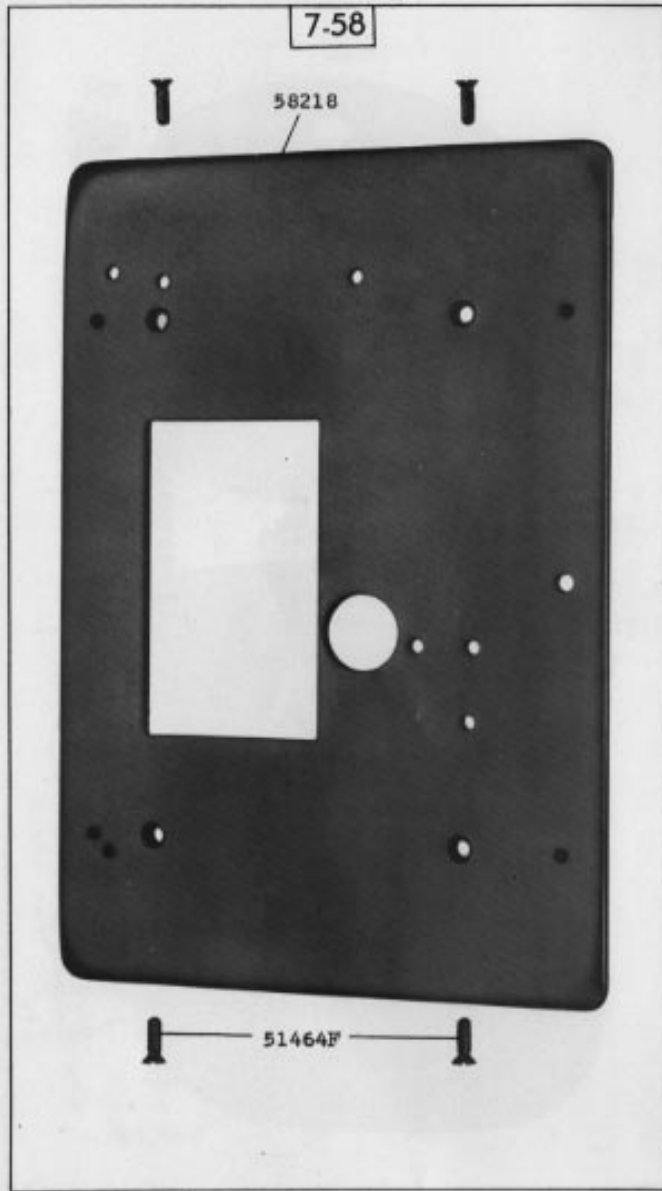
22811.2/3



22812.1/2

7-58

58218

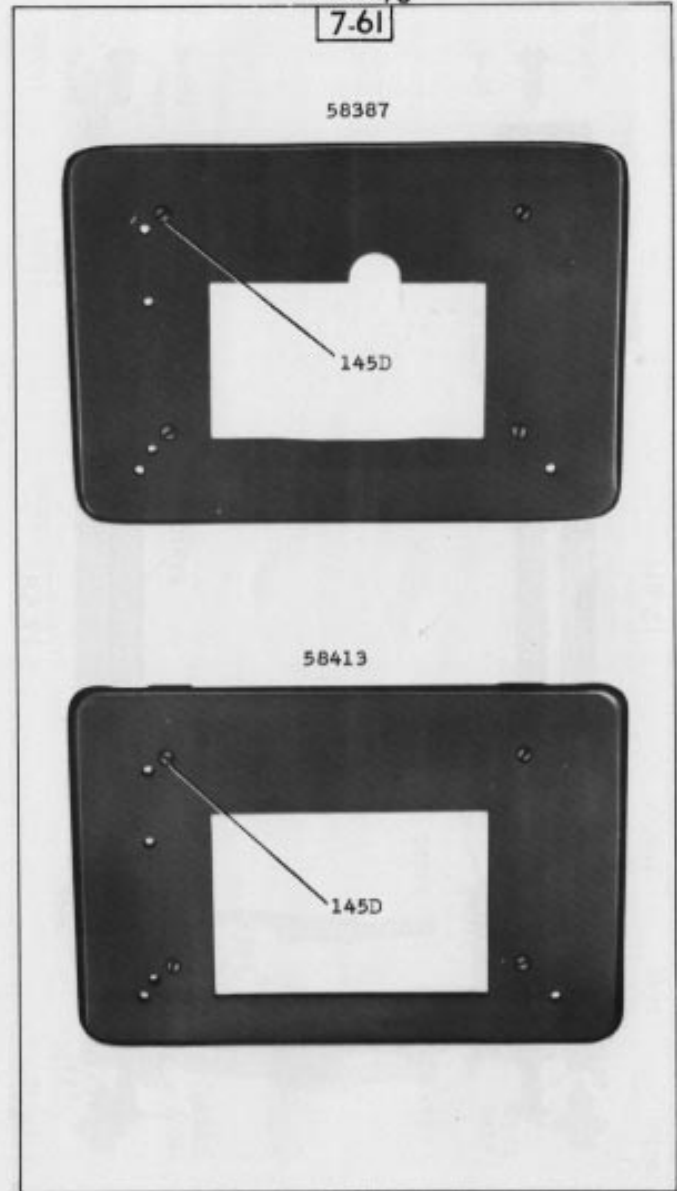


51464F

22813.1/3

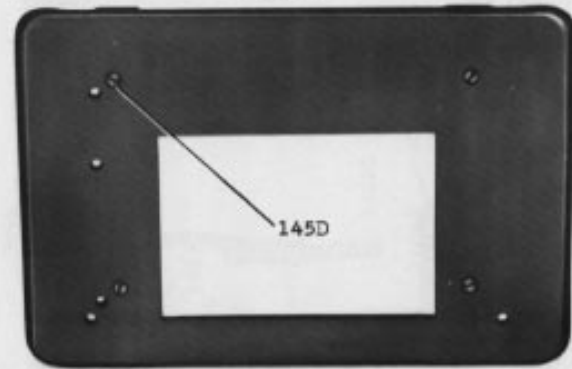
7-61

58387



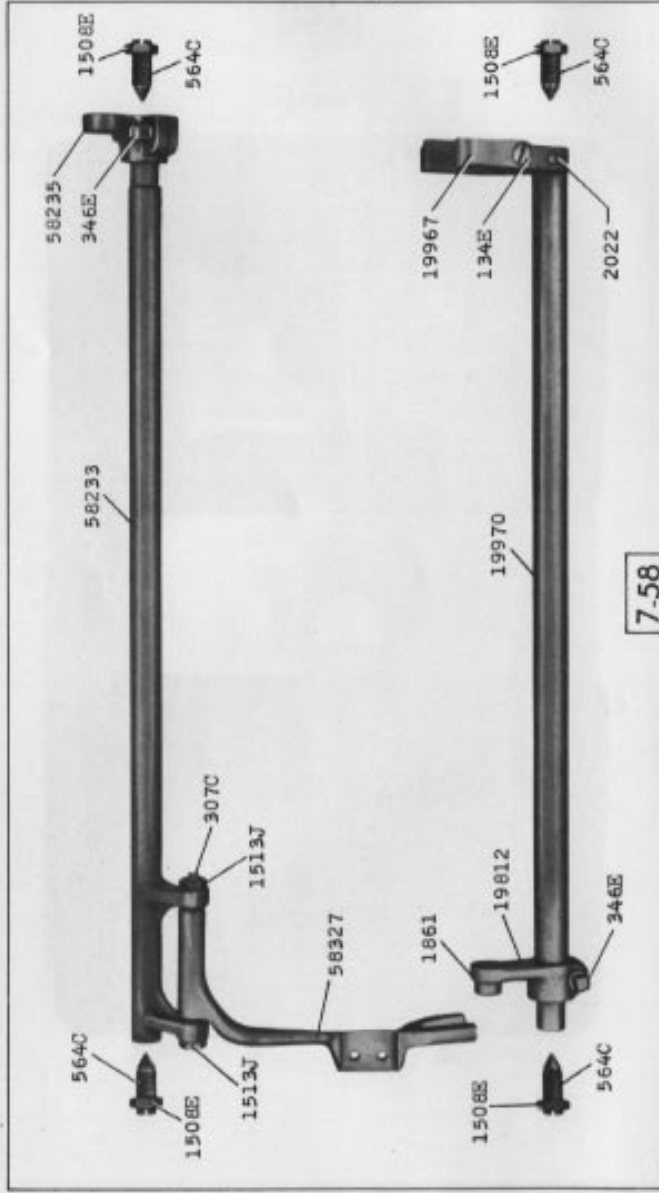
145D

58413



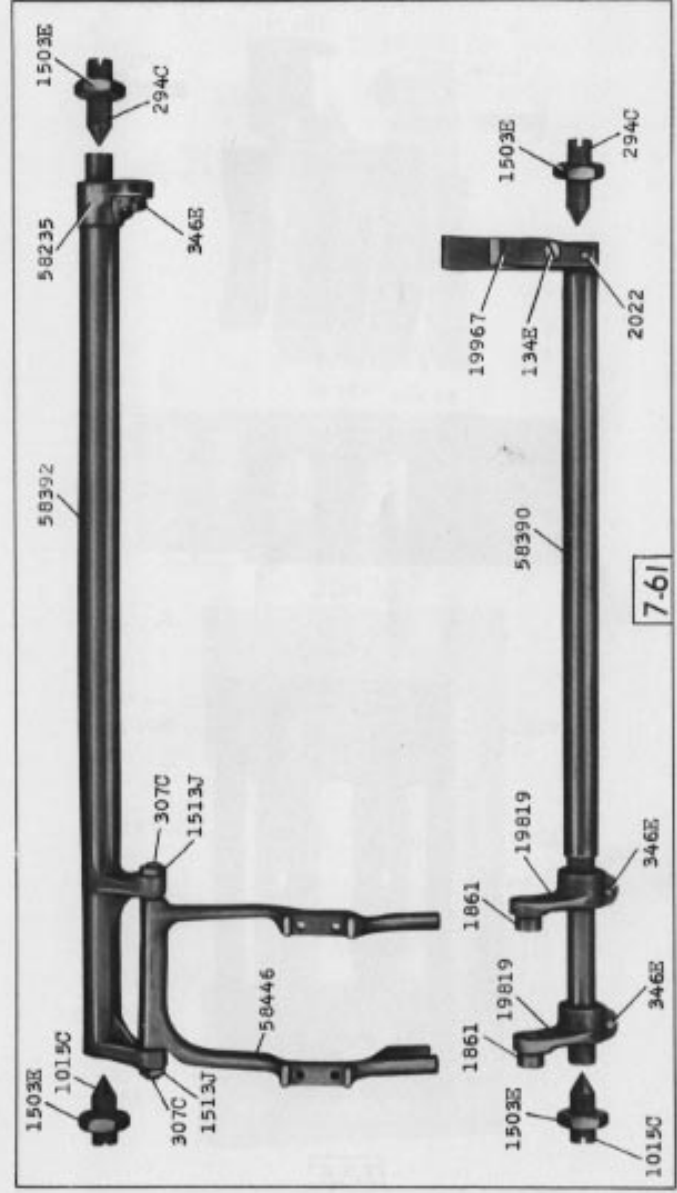
145D

22814.1/4



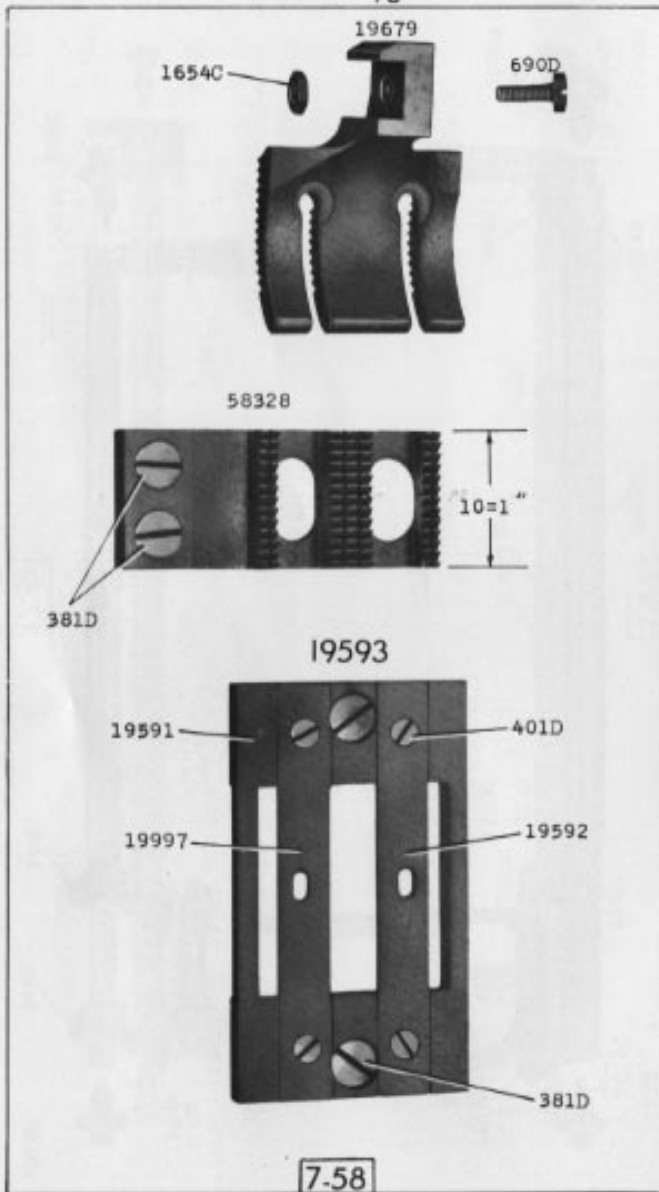
7-58

22815.1/4

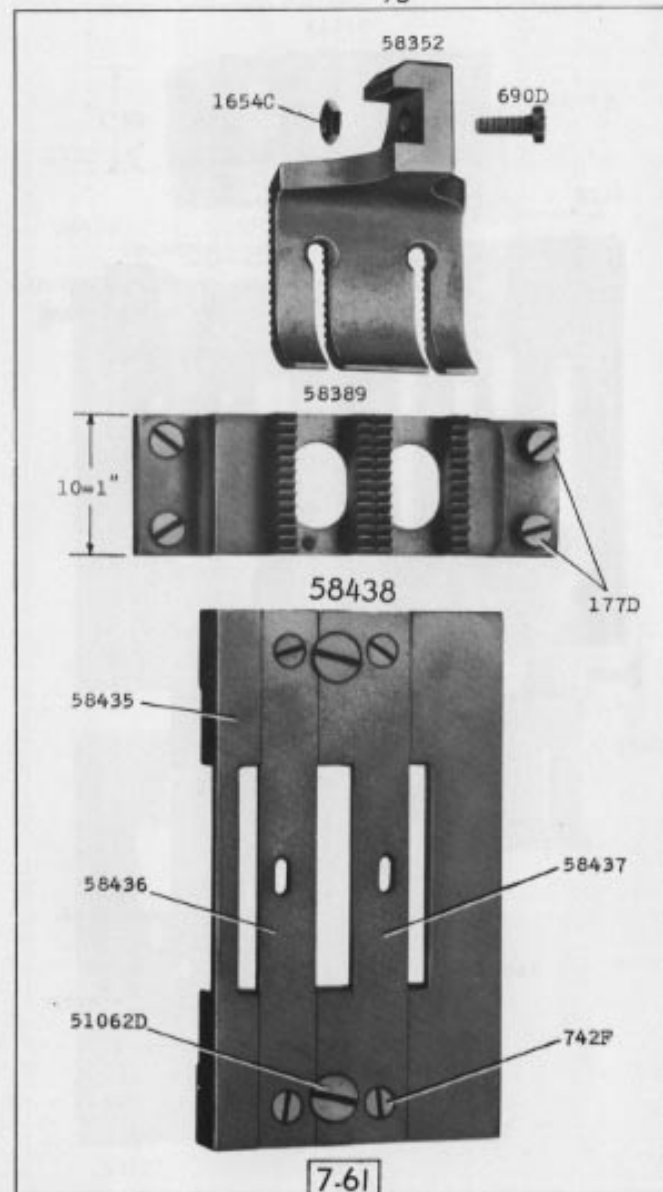


7-61

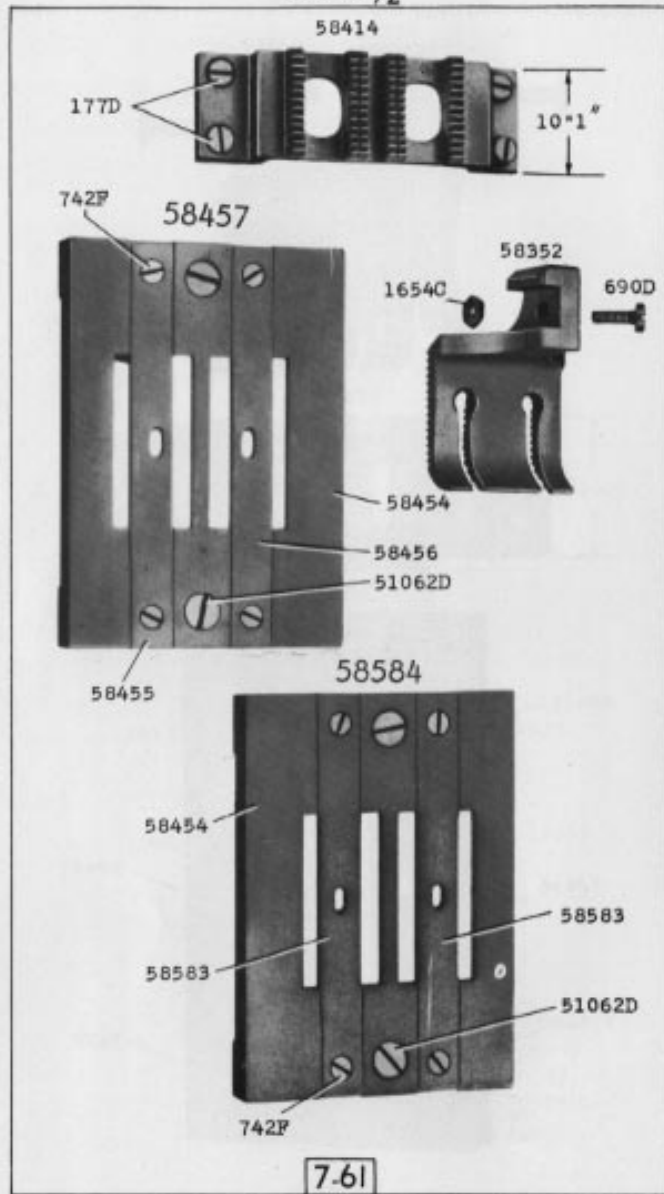
22816-2/3



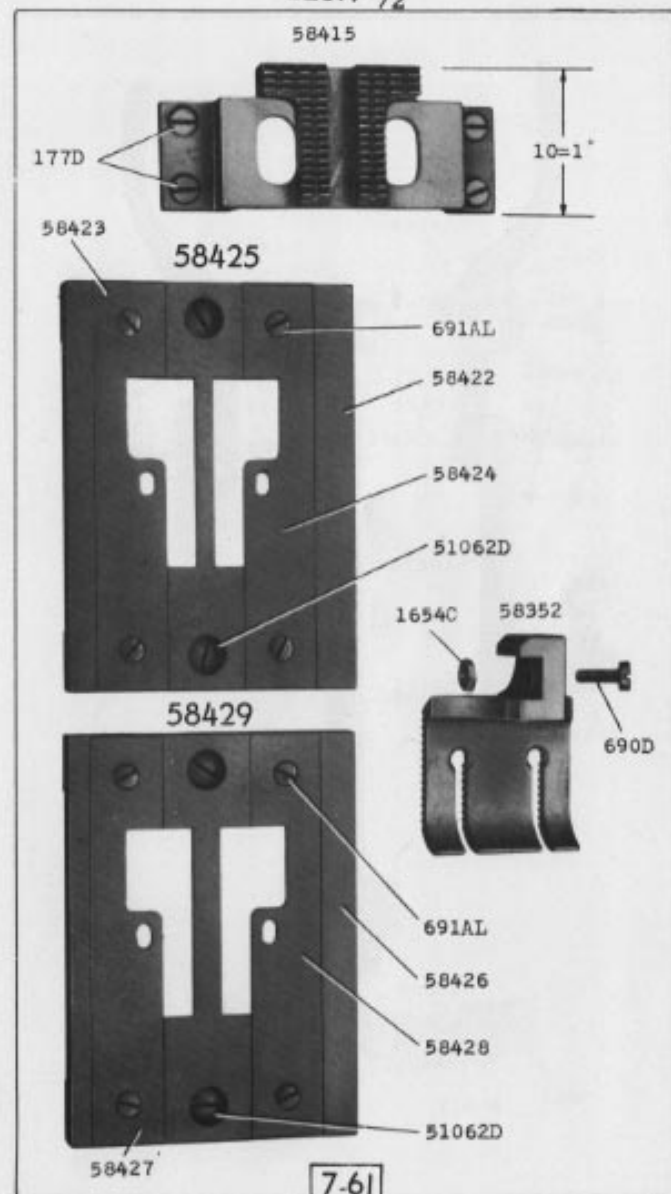
22817-2/3



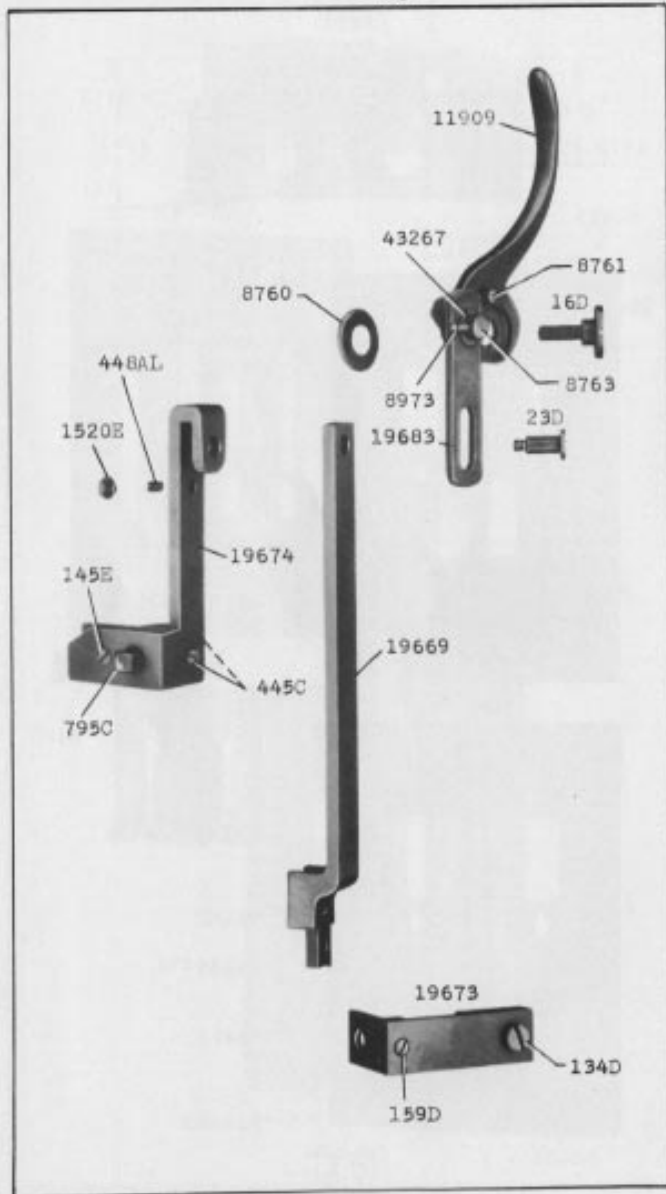
22818-1/2



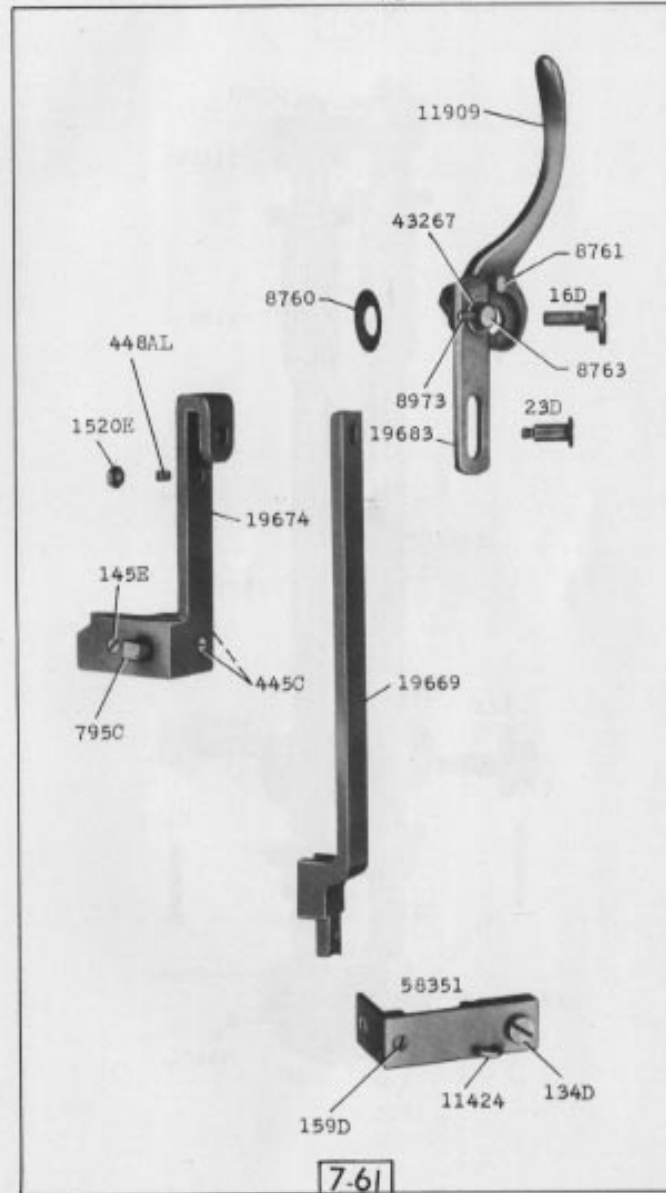
22819-1/2



22820-1/3

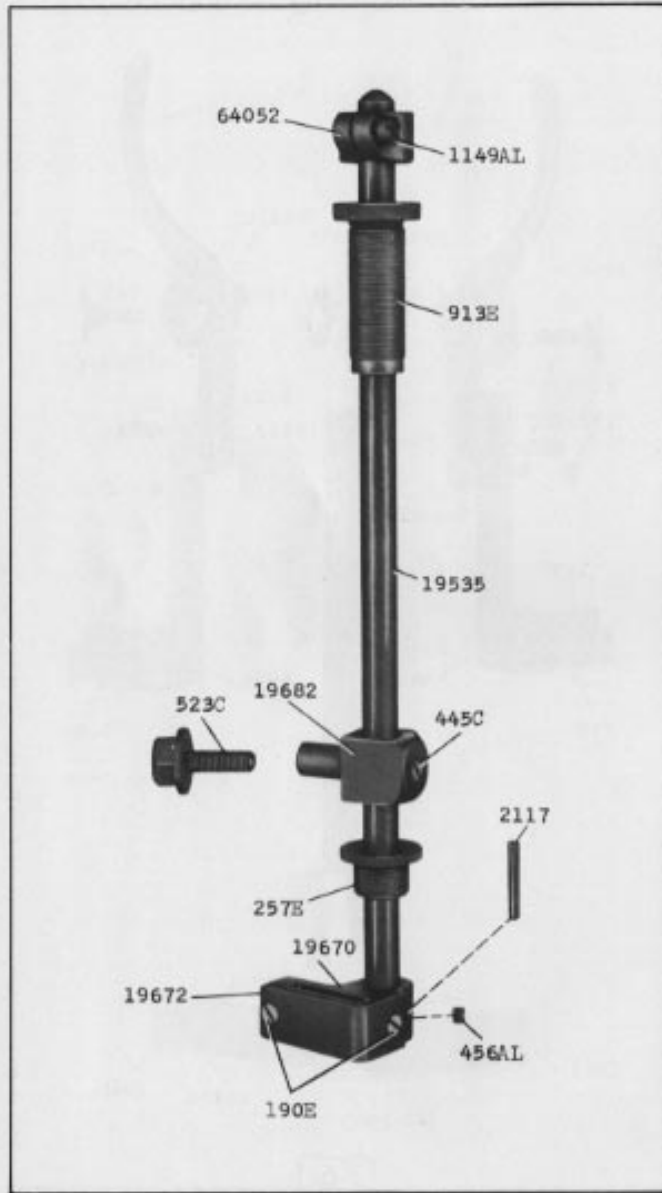


22821-1/3



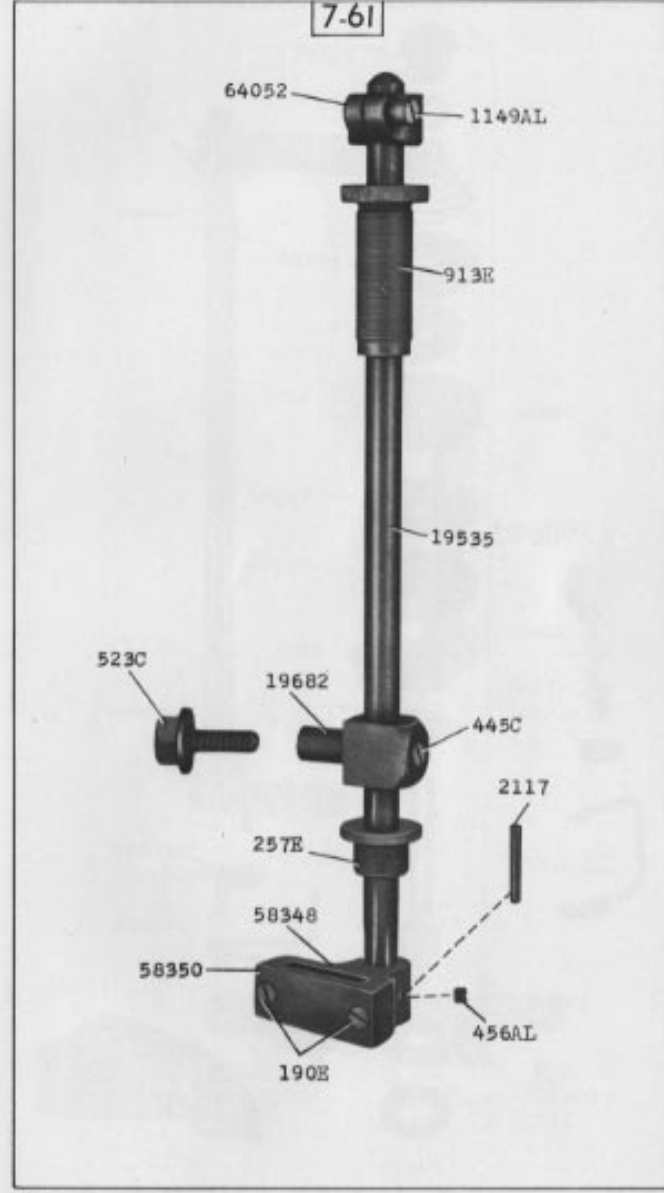
7-61

22822-1/2

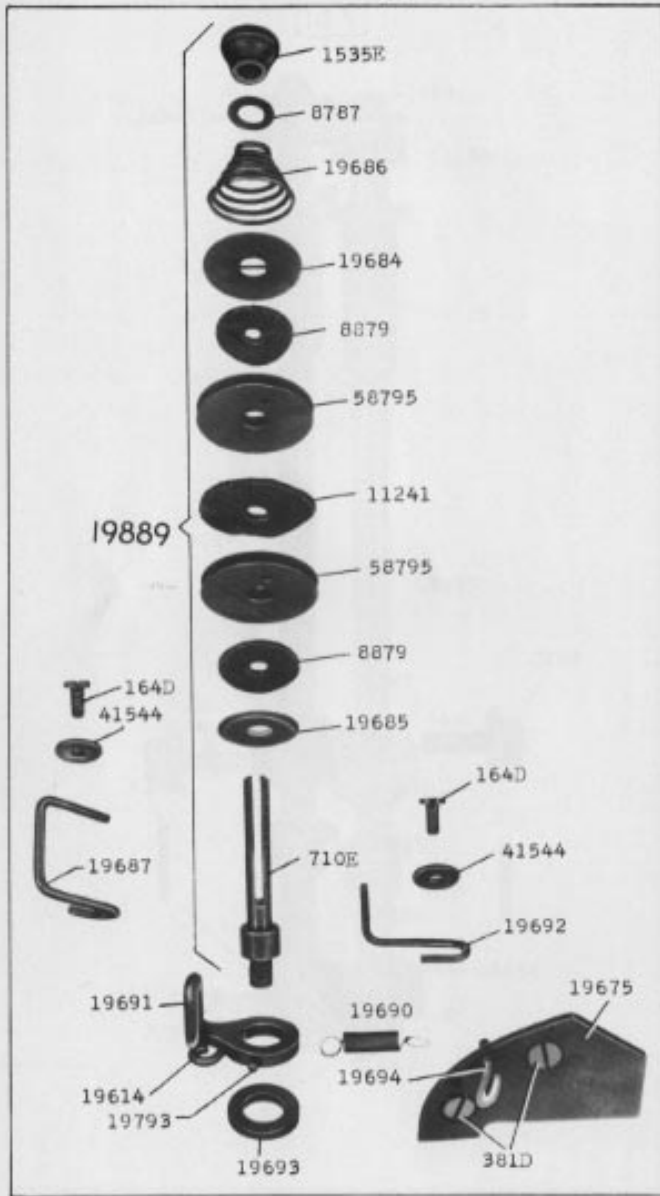


22823-1/2

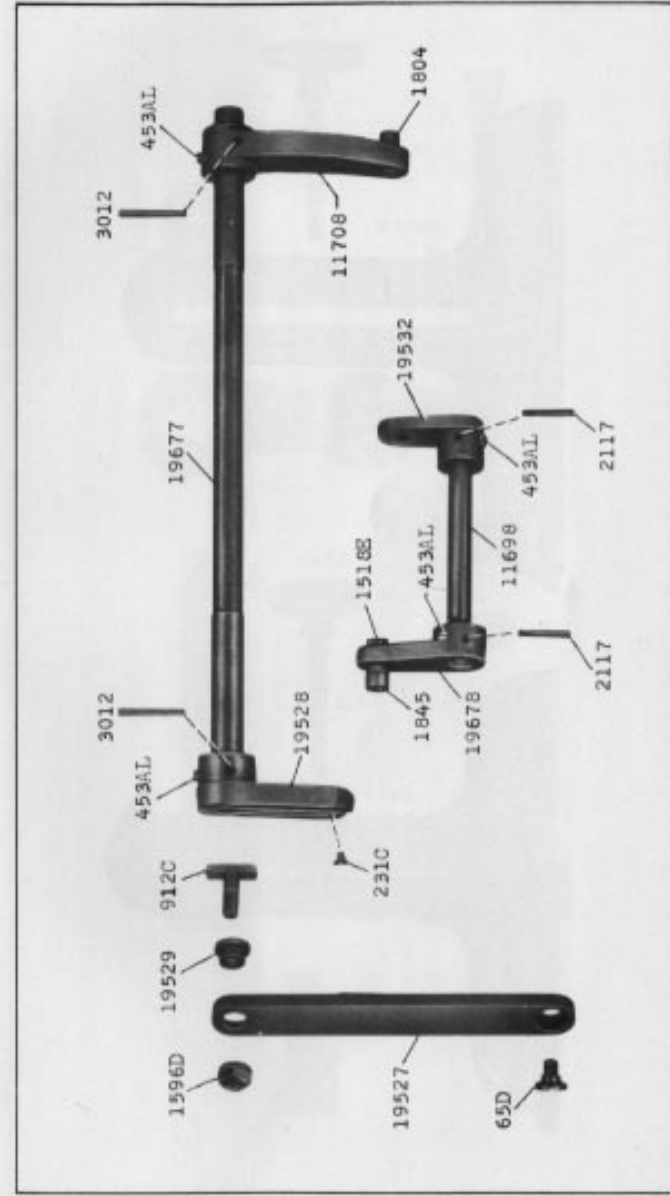
7-61



22824-1/2



22825.1/3

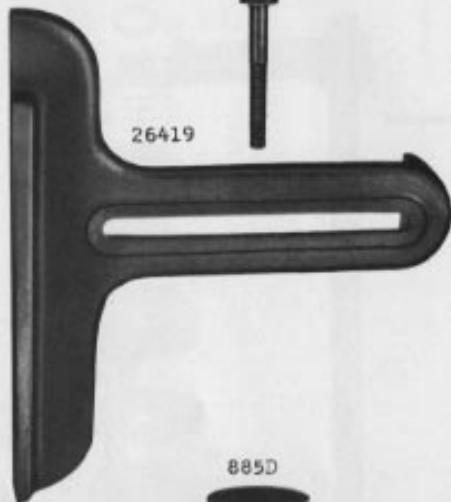


23969-1/2

885D



26419

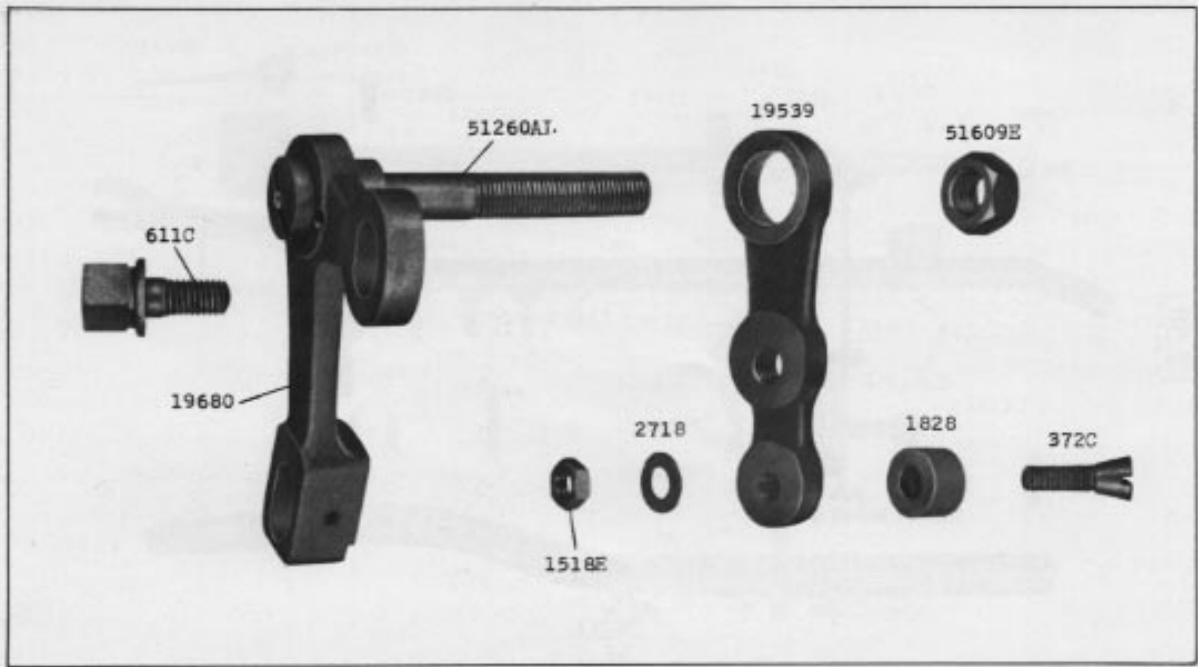


885D



26176

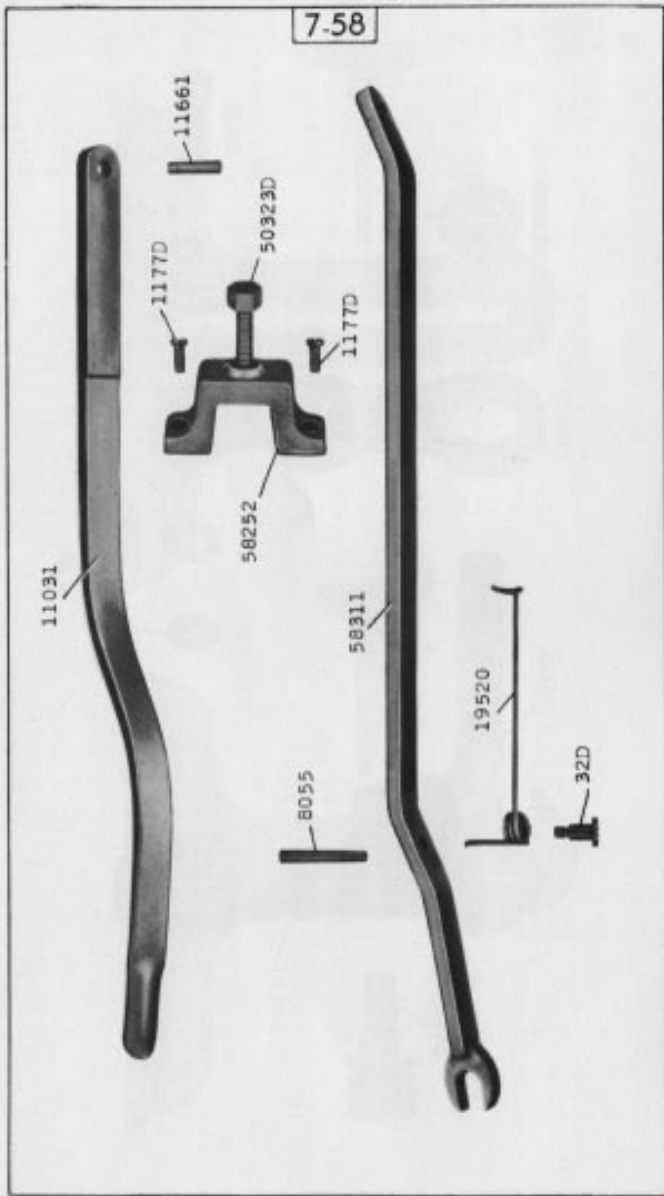




23970-2/3

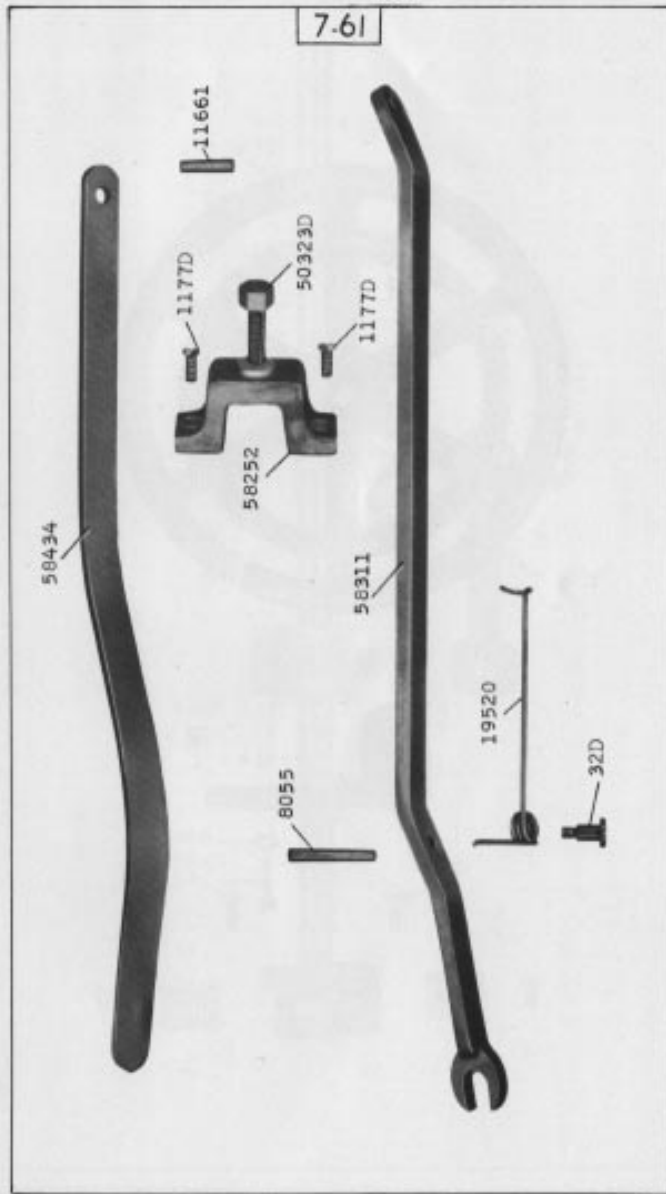
23971-1/3

7-58

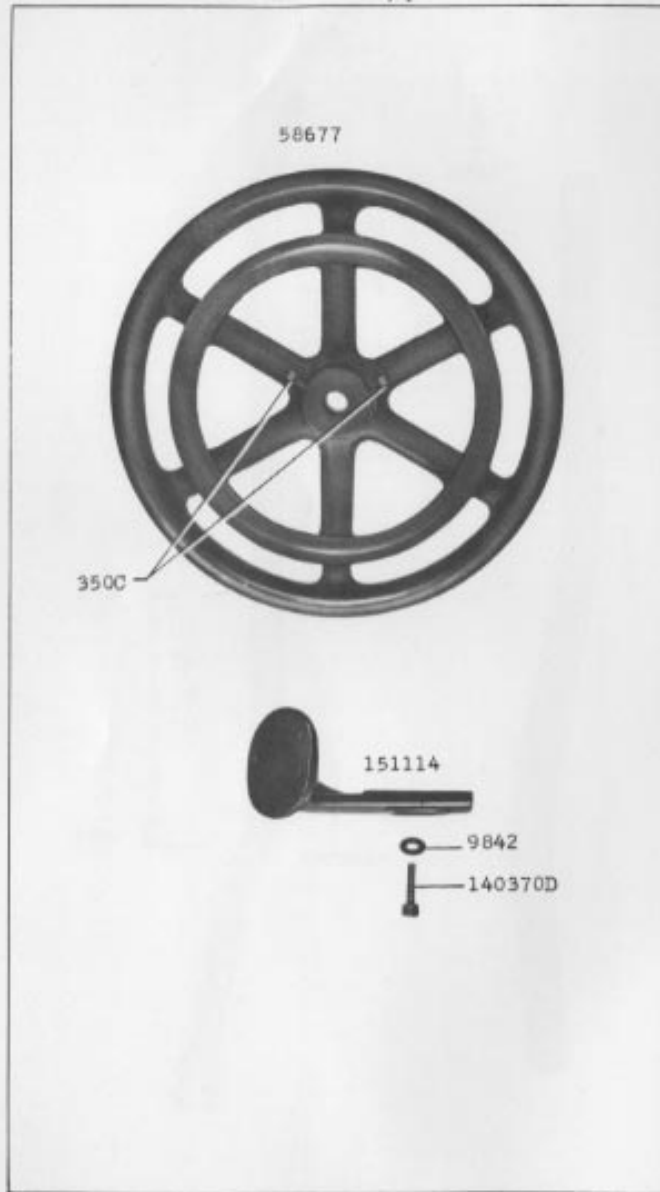


23972-1/3

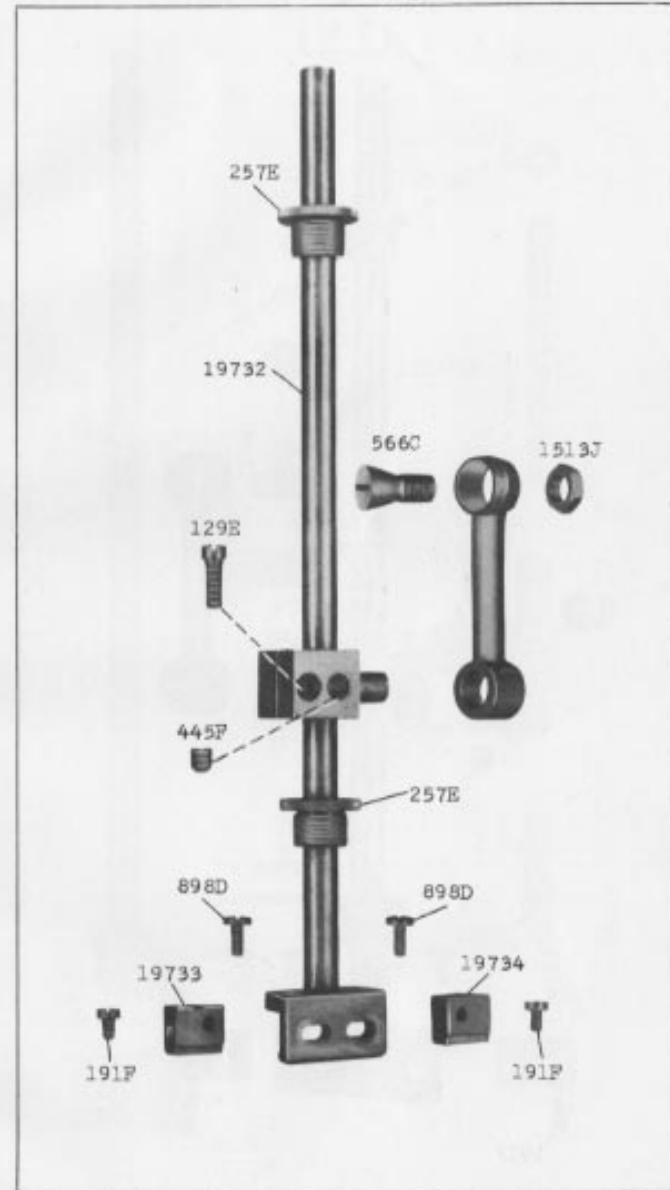
7-61



23973-1/4

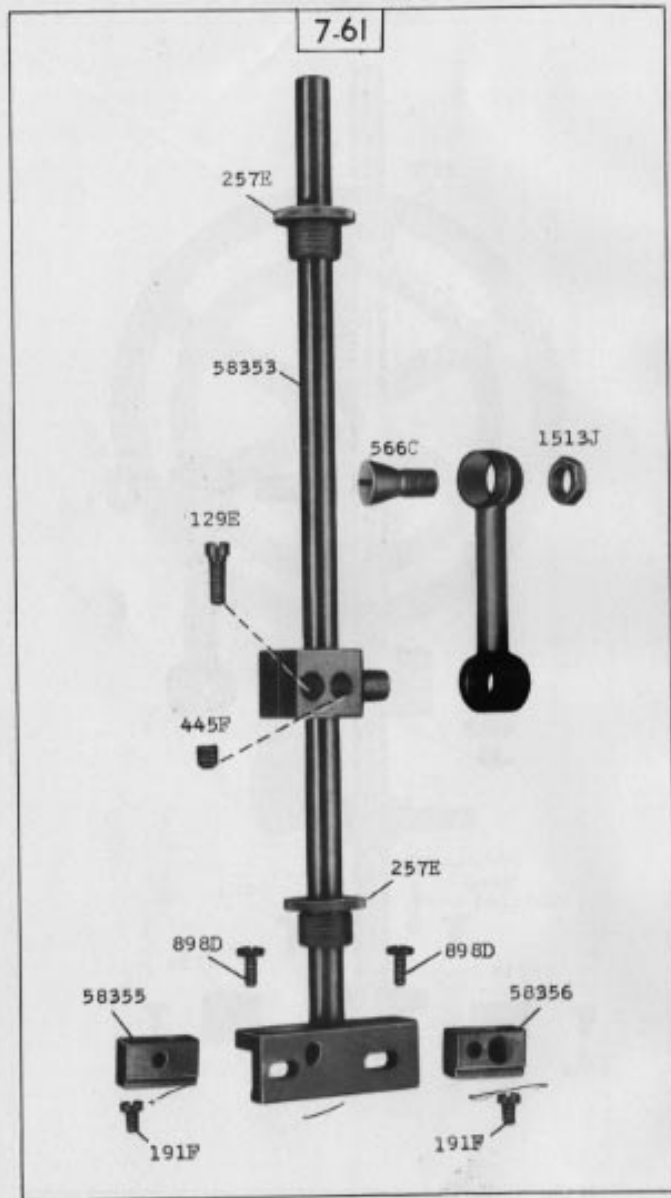


23974.1/2

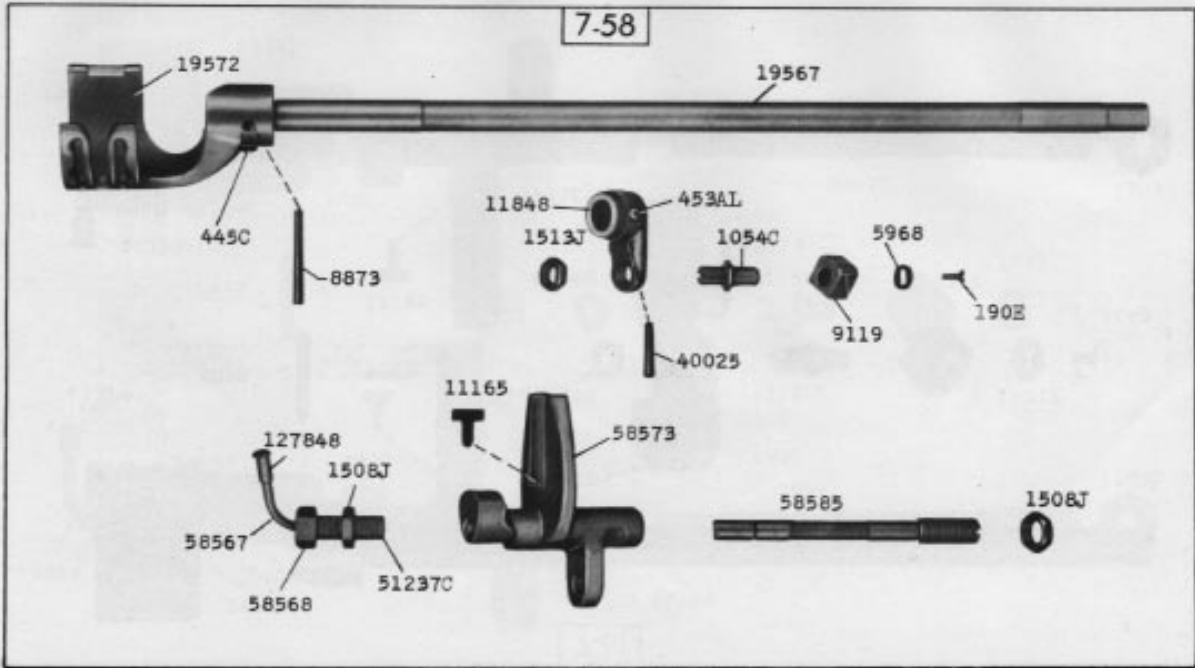


23975-1/2

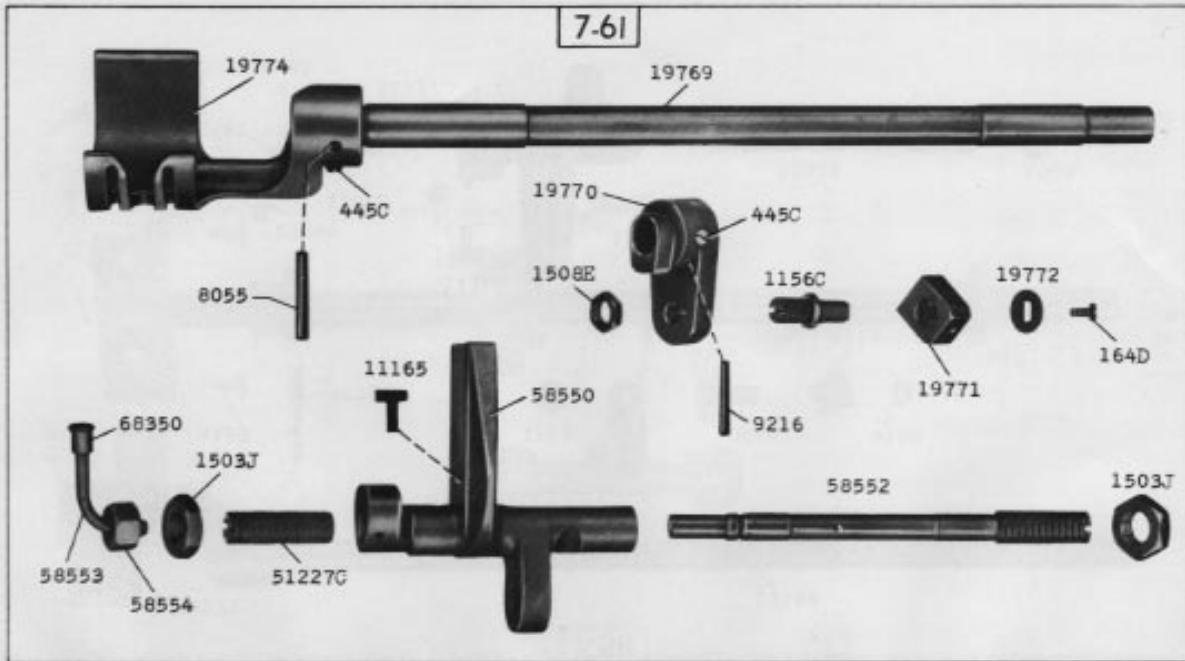
7.6l



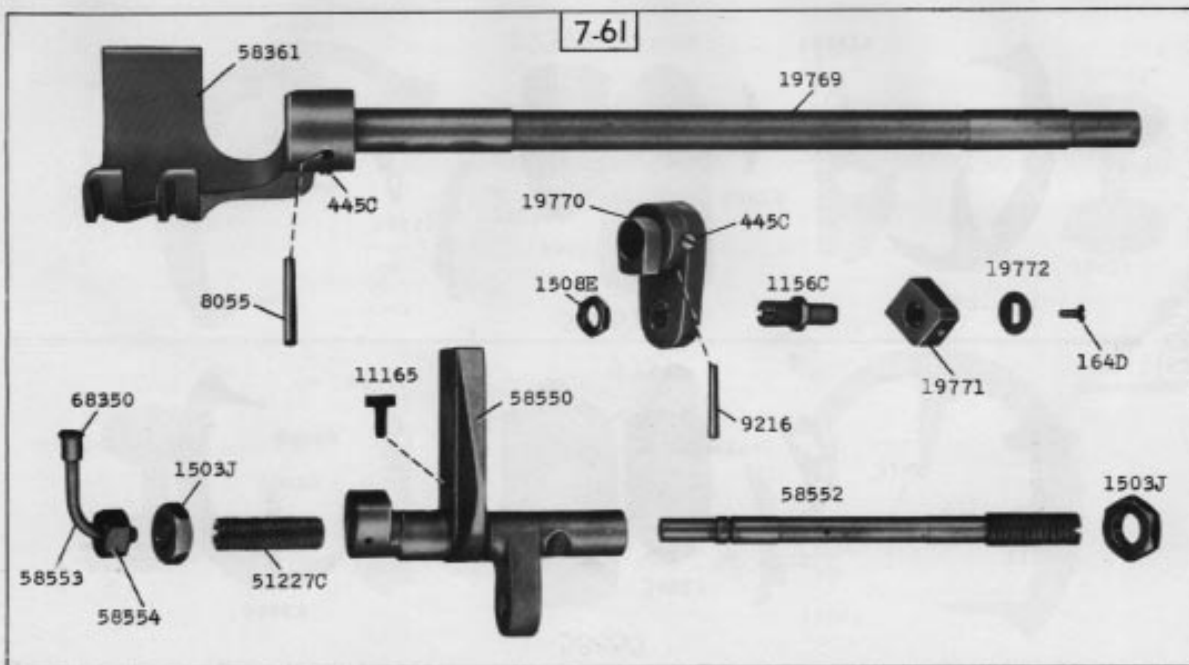
7-58



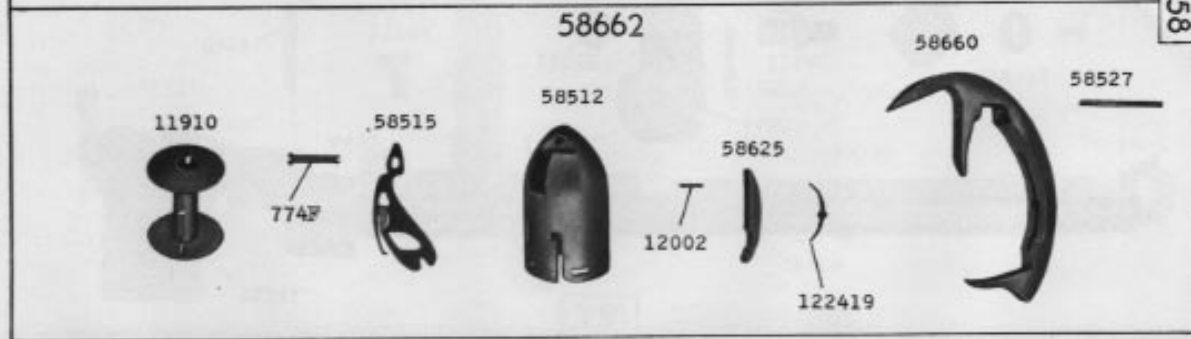
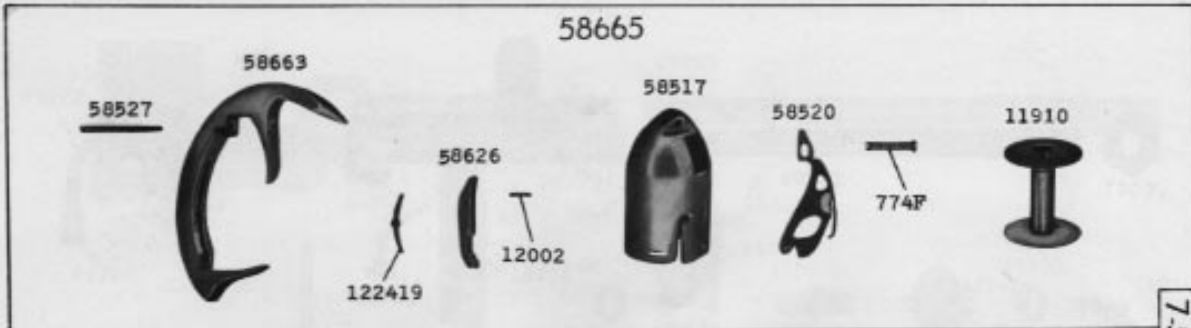
23976-1/3



23977-1/3



23978-1/3



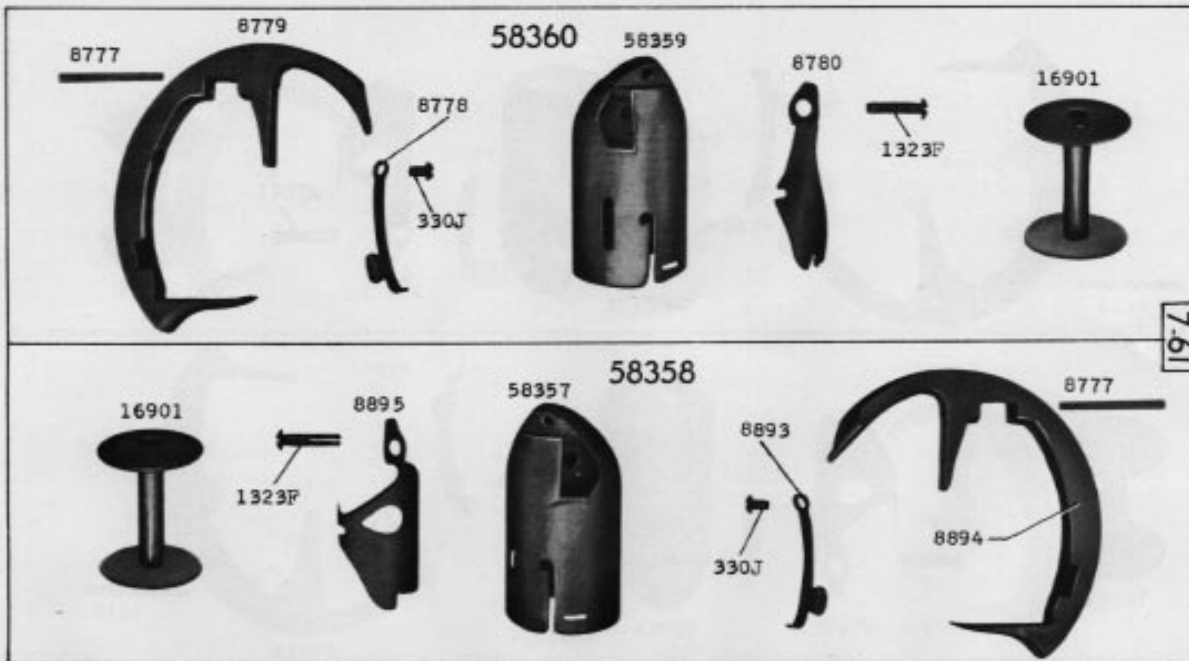
7-58

23979-1/2



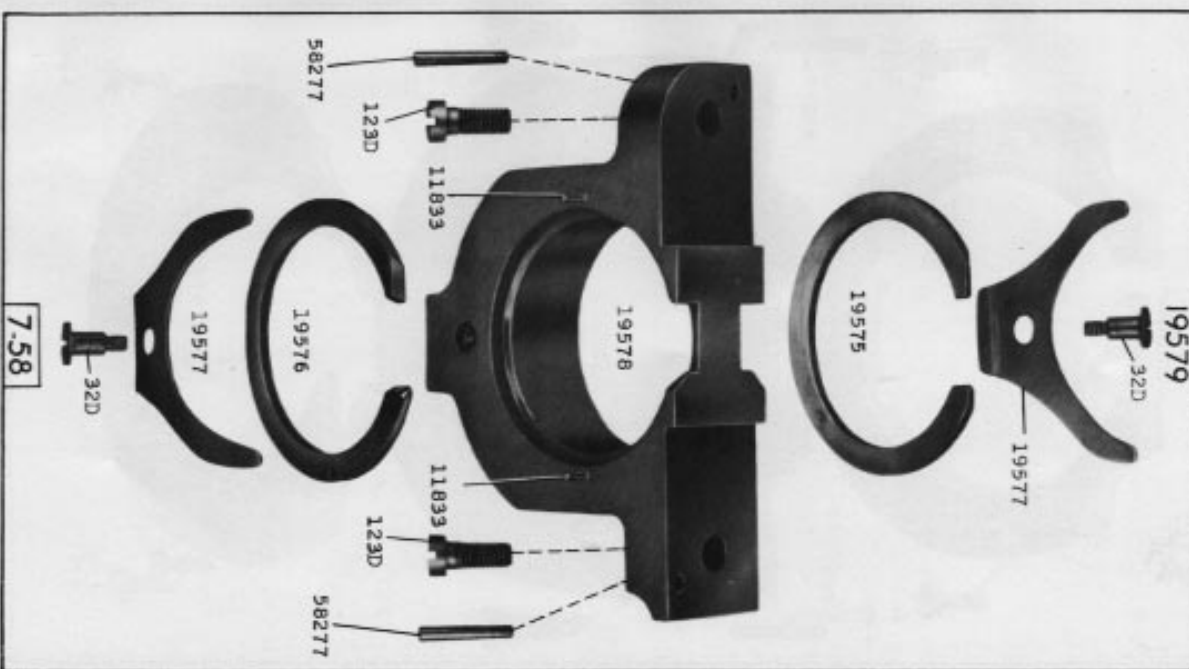
7-61

23980-1/2



7-61

23981.1/2



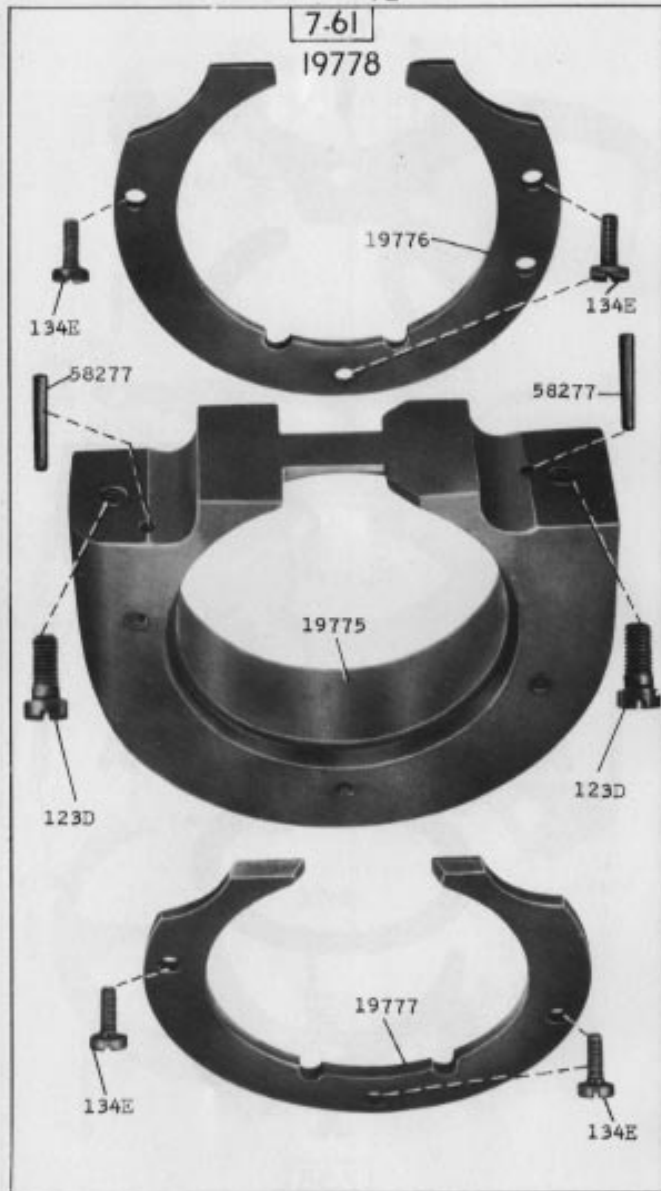
7-58

23982.1/2

23983.1/2

7-61

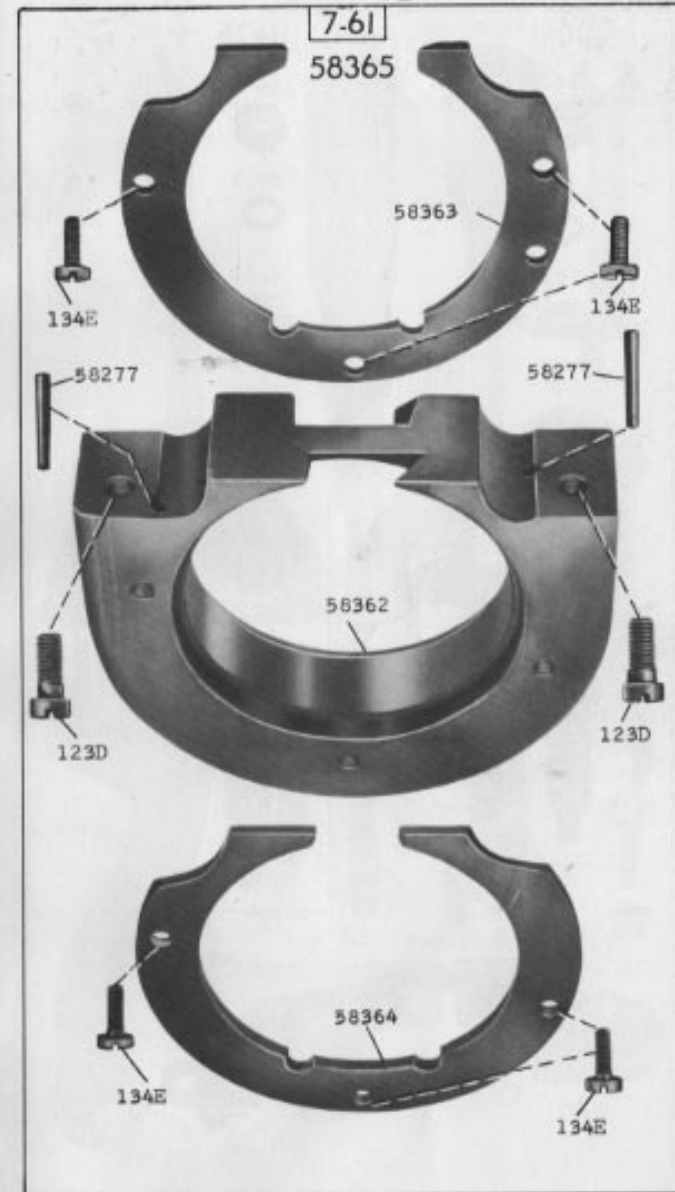
19778



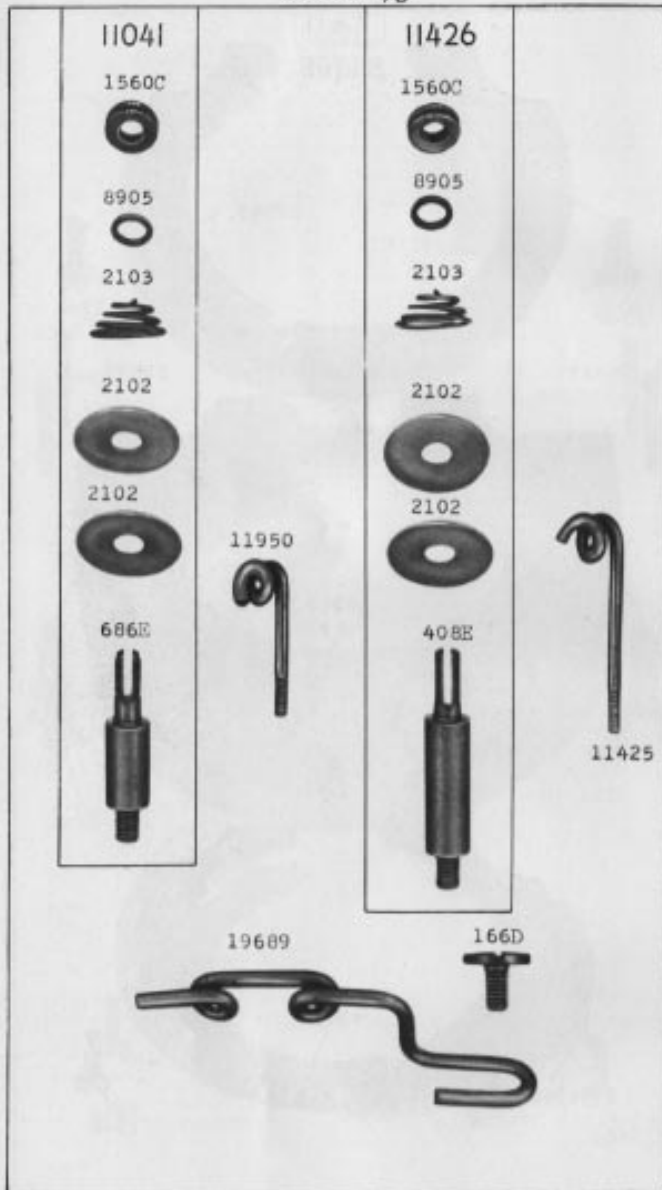
23984.1/2

7-61

58365



23985-2/3



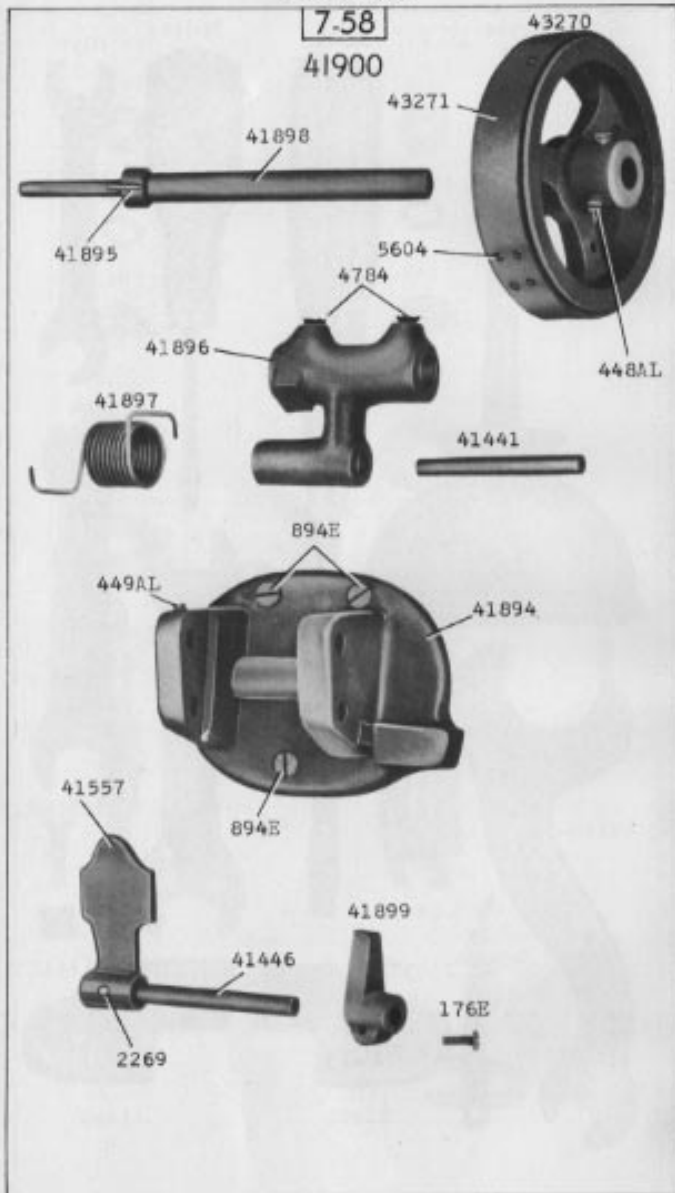
23986-1/2



23987-1/2

7-58

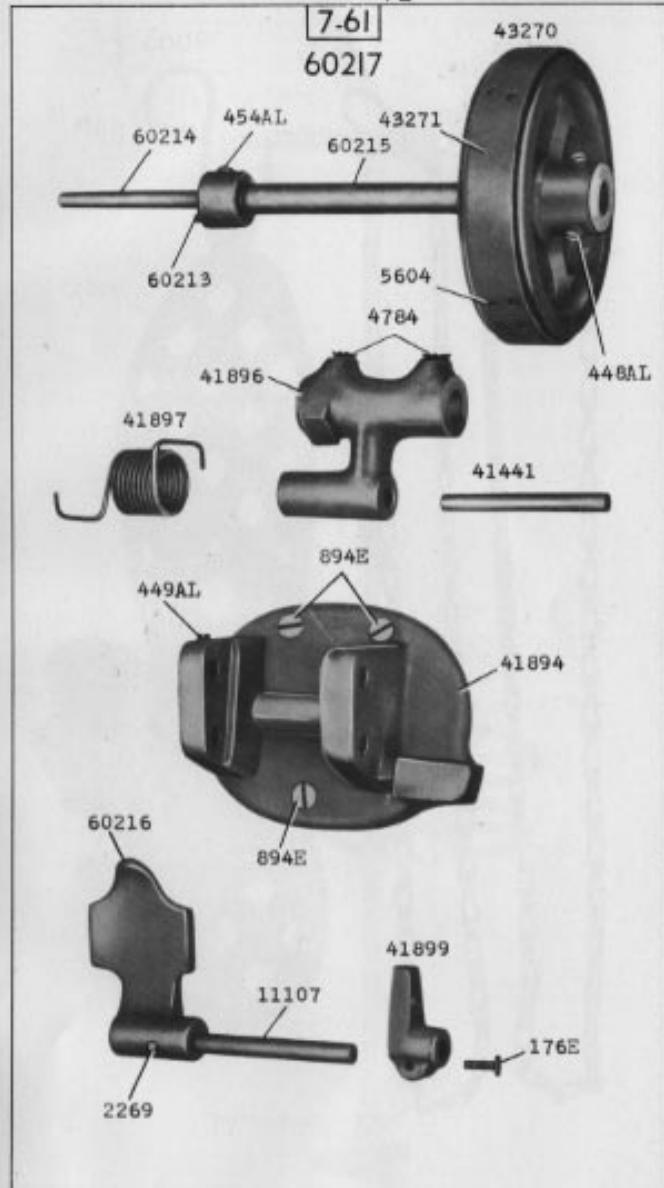
41900



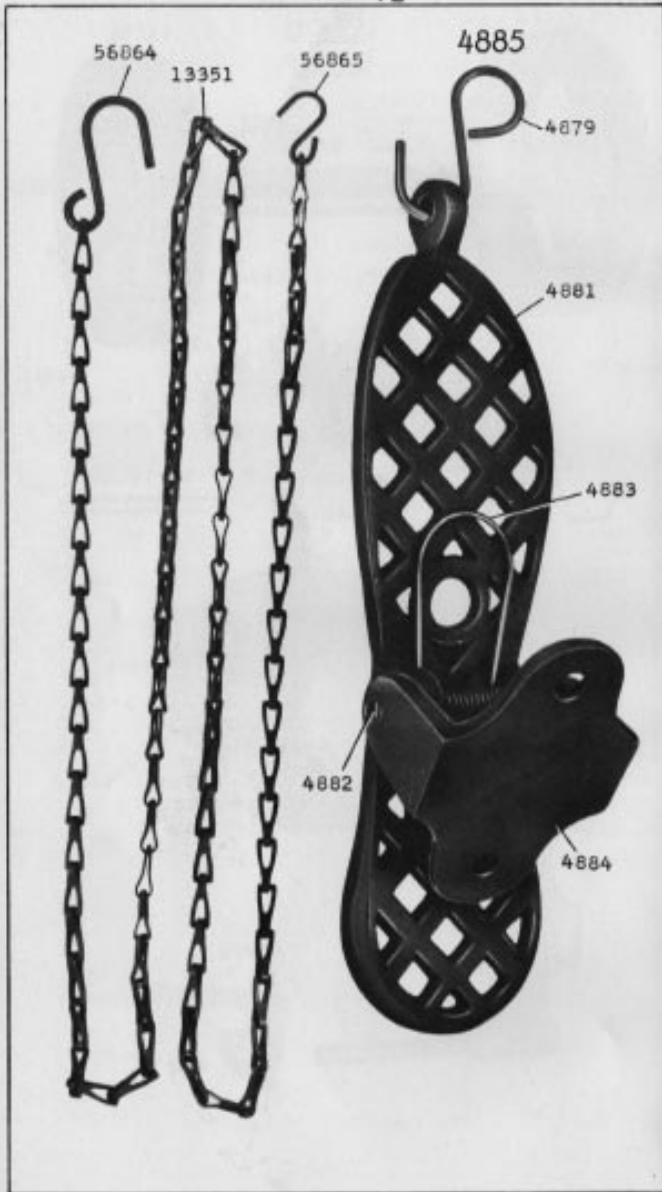
23988-1/2

7-61

60217



23989-1/2



23990-1/6

