

Singer 71-112

Form 2382w Revised  
(847)

Printed in U. S. A.

**HISTORICAL COPY**  
**DO NOT REMOVE**

# LIST OF PARTS



**MACHINE No. 71-112**

---

**THE SINGER MANUFACTURING COMPANY**

## INDEX

---

	Page
Accessories.....	26
Bobbin Winder.....	26
Driving Equipment.....	27
"          " for Machines when set in pairs.....	30
Iron Base.....	29
Knife Grinder.....	33
Machine No.71-112.....	5
Miscellaneous Parts.....	34
Numerical List of Parts.....	35
Thread Unwinder.....	30

Copyright, U. S. A., 1934, 1938, 1939, 1940, 1945 and 1947  
by The Singer Manufacturing Co.  
All Rights Reserved for all Countries

## INSTRUCTIONS FOR ORDERING

In ordering from this list, use **ONLY** the **PART** number in the **FIRST** column.

The number stamped on a Sewing Machine Part is the number of the **Single Part** only, except when the part includes **Set Screws, Clamping Screws, Studs and Rollers Spun on, Small Wires riveted, or Parts soldered together, etc.,** which it is necessary to furnish in combination.

Every combination of parts sent out has its specific number which, although not stamped on Parts (except in above case), must be used when ordering the combination.

Each number always indicates the **SAME PART** in whatever list it appears, or for whatever Machine.

The letters after some of the numbers indicate the style of finish only, as follows:

- A. Hardened, Polished, Nickel Plated and Buffed.
- B. Polished, Nickel Plated and Buffed.
- C. Hardened only.
- D. Polished only.
- E. Soft, not polished.
- F. Hardened and Polished.
- H. Blued.
- J. Nickel Plated only.
- R. Merlized.
- X. Black Oxide, for Iron and Steel.
- XC. Hardened and Black Oxide, for Iron or Steel.
- Y. Black Nickel Plated only.

These letters **MUST BE USED** when they appear in the list and **AFTER** the number, as in the list.

In this series

1 to 1500, 200001 to 201500 and 350001 to 351500 are Screw Numbers.  
1501 to 1800, 201501 to 201800 and 351501 to 351800 are Nut Numbers.  
1801 to 2000, 201801 to 202000 and 351801 to 352000 are Roller Numbers.  
2001 to 50000 and 202001 to 350000 are Numbers of Machine Parts.

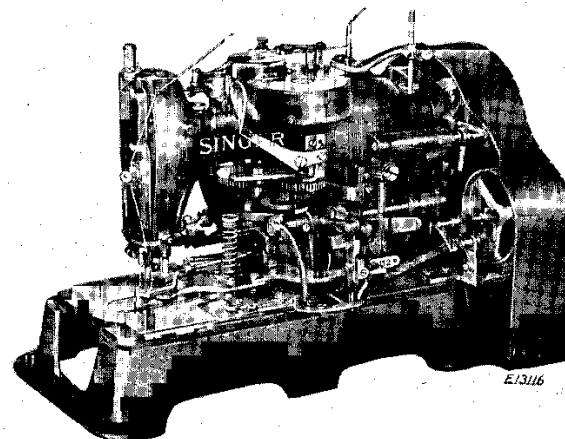
The figures in the second column refer only to the plate in which the illustration of the part is shown and are **NOT TO BE USED** in ordering.

Two or more numbers over a cut indicate that the difference between such parts is not visible in an illustration.

Parts marked with an asterisk (\*) are furnished only when repairs are made at the factory.

## LIST OF PARTS COMPLETE

FOR



## MACHINE No. 71-112

MAKES TOP CORDED BUTTONHOLES, WHIP STITCH, SQUARE BAR AT FIRST END AND TAPER BAR AT FINISHING END. LAYS A CORD ON THE TOP SIDE UNDER THE OVERSEAMING STITCHES. KNIVES FROM  $\frac{3}{8}$  TO  $\frac{3}{4}$  INCH LONG. CUTS BOTH THREADS, THE CORD AND THE HOLE AUTOMATICALLY AFTER STITCHING.

No.	Plate	Name
*262001	-----	Arm with 24081
8582	17952	" Dowel Pin (2)
241206	18220	" Oil Cup (2)
748E	17952	" Screw (back) (2)
868E	17952	" " (front) (2)
249602	18220	" Shaft
*24081	-----	" " Bushing (front)
202260	18220	" " " Oil Packing (wick) (2)
249622	18220	" " Flanged Bushing (back)
435AL	18220	" " " " Set
		Screw
1069D	18220	Arm Shaft Screw
39620	18232	" Side Cover
190D	18232	" " " Screw

## PARTS FOR MACHINE No. 71-112

No.	Plate	Name
249604	18232	Arm Top Cover (left)
249605	18232	" " " (right)
190D	18232	" " " Screw (4)
249606	17953	Barring Lever
350476C	17953	" " " Hinge Screw
249607	17953	" " " Spring
1330C	17953	" " " Screw Stud
249804	17960	" " " Plate (2)
350229E	17960	" " " Screw (2)
206482	17960	" " " Washer (2)
249610	17953	" " " Point
191C	17953	" " " Screw
249611	17922	" " " Shaft with 452C
201713C	17922	" " " Adjusting Lock Nut (2)
249612	18232	" " " Guard
208AL	18232	" " " Screw (2)
249613	17922	" " " Slide
249740	17922	" " " Operating Plate (adjustable)
223D	17922	Barring Slide Operating Plate (adjustable) Screw (2)
350253C	17922	Barring Slide Operating Plate Adjusting Screw
1607E	17922	Barring Slide Operating Plate Adjusting Screw Nut
249614	17922	Barring Slide Operating Plate (stationary)
228D	17922	Barring Slide Operating Plate (stationary) Screw (2)
249615	17922	Barring Slide Operating Rod
249616	17953	" " " " " Stud
249619	17922	" " " Stop
704E	17922	" " " Attaching Screw
898C	17922	" " " Screw (adjustable)
452C	17922	" " " " " Set Screw
*249620	-----	Bed
262002	17952	" " " Oil Guard with 249883
249883	17952	" " " Oil Tube (brass)
1235F	17952	" " " Screw
249853	17962	Belt Shifter with 350287C
249854	17962	" " " Operating Collar with 350329C
350329C	17962	Belt Shifter Operating Collar Set Screw
249855	18229	" " " " " Rod
350287C	18229	" " " " " Set Screw
350287C	17962	" " " -Set Screw
249856	17962	" " " Shaft
249857	17962	" " " " Bracket
350288C	17962	" " " " " Hinge Screw
249858	17962	" " " " " Extension
		with 51047E
51047E	17962	Belt Shifter Shaft Bracket Extension Pinch Screw
158E	17962	Belt Shifter Shaft Bracket Extension Screw

## PARTS FOR MACHINE No. 71-112

No.	Plate	Name
23554	17957	Belt Shifter Shaft Bracket Spring
350338E	17957	" " " " " Screw
		Stud (lower)
350339E	17962	Belt Shifter Shaft Bracket Spring Screw Stud (upper)
249860	17962	Belt Shifter Shaft Bracket Stop
191D	17962	" " " " " Screw
249861	17962	" " " Guide Collar with 237X
2269	17962	Belt Shifter Shaft Guide Collar Position Pin
237X	17962	Belt Shifter Shaft Guide Collar Set Screw
249862	17962	Belt Shifter Shaft Spring
39882	17962	" " " Stop Washer (rawhide)
249863	17960	" " " Trip Point
756E	17960	" " " " " Screw
249864	17962	" " " " " Stud
161D	18236	Bobbin Winder Base Screw (2)
135D	18236	" " " Tension Bracket Screw
39539	17954	Clamp Arm
625F	18246	" " " Adjusting Screw (2)
1547J	18246	" " " " " Nut (2)
249955	18246	" " " Bracket with 196F
40003	18246	" " " " " Guide (left)
219F	18246	" " " " " " Screw
40004	18246	" " " " " (right)
207F	18246	" " " " " " Screw
		(2)
191C	18246	Clamp Arm Bracket Screw (3)
39541	18246	" " " " " Washer (3)
249956	18246	" " " Hinge Block
23380	18246	" " " " " Pin
196F	18246	" " " " " " Set Screw
402D	18246	" " " Screw (3)
249957	17955	" " " Carrier
40006	17956	" " " " " Block with 40007 and four 404D
40007	17956	Clamp Carrier Block Plate
404D	17956	" " " " " " Screw
23384	17956	" " " " " Connecting Rod
52C	17956	" " " " " " Hinge Screw
249958	18246	Clamp Carrier Guard
244D	18246	" " " " " " Screw
39591	17955	" " " " " Guide (left)
756D	17955	" " " " " " Screw (long)
1345D	17955	" " " " " " (short)
39845	17955	" " " " " (right)
1230F	17955	" " " " " " Screw (2)
249959	18246	" " " " " Plate
1231F	18246	" " " " " " Screw (back) (2)
404D	18246	" " " " " " (front) (2)
249960	17956	" " " " " Regulator with 240D, 1960 and 39583

## PARTS FOR MACHINE No. 71-112

No.	Plate	Name
1232C	17956	Clamp Carrier Regulator Hinge Screw
1960	17956	" " " " Roller and Screw Stud with 1520J
1520J	17956	Clamp Carrier Regulator Roller and Screw Stud Nut
249895	17952	Clamp Carrier Regulator Slide
350076C	17956	" " " " Stud (to regulate length of buttonhole)
1671C	17956	Clamp Carrier Regulator Stud Nut
39532	17956	" " " " Sleeve
39583	17956	" " " " Stop
240D	17956	" " " " " Screw
39720	17955	" " " " Slide with 1345D, 39591 and two 756D
23392	17955	Clamp Carrier Slide Guide (left)
23393	17955	" " " " (right)
914F	17955	" " " " Screw (4)
249625	17956	" " " " Lever with 1960
23395	17956	" " " " Regulator
23396	17956	" " " " " Cap
223D	17956	" " " " " "
67D	17956	Screw (4) Clamp Carrier Slide Lever Regulator Screw
1960	17956	Clamp Carrier Slide Lever Roller and Screw Stud with 1520J
1520J	17956	Clamp Carrier Slide Lever Roller and Screw Stud Nut
7278	17956	Clamp Carrier Slide Lever Socket Joint
1234C	17956	" " " " Regulating Stud
23397	17956	" " " " " "
1658C	17956	Bushing Clamp Carrier Slide Regulating Stud Thumb Nut
1256D	17955	Clamp Carrier Slide Screw (2)
39914	17954	" Check with 39915, 50354E and two 237X
1237F	17954	Clamp Check Screw (2)
39915	17954	" " " Section and Cutting Plate
237X	17954	" " " " " " "
50354E	17954	Screw Clamp Check Section and Cutting Plate Support Stud (short)
39916	17954	Clamp Check complete, for 3/8 to 3/4 in. buttonhole, Nos. 219F, 2269, 39858, 39866, 39867, 39914 and 40050
39724	17954	Clamp Lifting Arm
249759	17957	" " " " Connection (lower section)
249865	17957	Clamp Lifting Arm Connection (upper section)
249866	17957	Clamp Lifting Arm Connection complete, Nos. 704C, 23390, 249759 and 249865
262003	17962	Clamp Lifting Arm Connection Guide Plate

## PARTS FOR MACHINE No. 71-112

No.	Plate	Name
690E	17962	Clamp Lifting Arm Connection Guide - Plate Screw
41C	17957	Clamp Lifting Arm Connection Hinge Screw
1520J	17957	Clamp Lifting Arm Connection Hinge Screw Nut
249867	17962	Clamp Lifting Arm Connection Lock
940F	17962	" " " " " "
232065	17962	Hinge Screw Clamp Lifting Arm Connection Lock Spring
201295E	17962	Clamp Lifting Arm Connection Lock Spring Screw Stud
249963	17962	Clamp Lifting Arm Connection Lock Stop Plate
194C	17962	Clamp Lifting Arm Connection Lock Stop Plate Support Stud
249760	17957	Clamp Lifting Arm Connection Lock Trip Lever with 690D
690D	17957	Clamp Lifting Arm Connection Lock Trip Lever Pinch Screw
1901	17957	Clamp Lifting Arm Connection Roller and Screw Stud with 229D and 12424
40016	17957	Clamp Lifting Arm Connection Roller and Screw Stud Bracket
157F	17957	Clamp Lifting Arm Connection Roller and Screw Stud Bracket Screw
39541	17957	Clamp Lifting Arm Connection Roller and Screw Stud Bracket Screw Washer
229D	17957	Clamp Lifting Arm Connection Roller Cap Screw
12424	17957	Clamp Lifting Arm Connection Roller Cap Screw Washer
704C	17957	Clamp Lifting Arm Connection Screw
23390	17957	" " " " " "
199D	17954	Washer Clamp Lifting Arm Screw (2)
40020	18246	" Plate
1235F	17955	" " Screw (4)
249964	18246	" " Support
402D	18246	" " " Screw (2)
23574	18246	" Post
1659C	18246	" Pressure Regulating Thumb Nut
39514	18246	" Spring
23693	18246	" " Bushing
1294C	18246	" " " Position Stud
1550J	18246	" " " " " Nut
18859	17952	Cord Guide
39899	17961	" Leading Bracket
39768	17961	" " " Dowel Pin
389F	17961	" " " Screw
39770	17952	" " " Eye (double)
236F	17952	" " " Screw
39852	17961	" " " Finger (lower)
350067E	17961	" " " " " Screw
39853	17961	" " " " " "
		Washer

## PARTS FOR MACHINE No. 71-112

No.	Plate	Name
39854	17961	Cord Leading Finger (upper)
230P	17961	" " " " Screw
39905	17961	Cord Leading Finger complete, Nos. 39852 to 39854 and 350067E
39855	17961	Cord Rotating Gear
39773	17961	" " " " Gib (back)
39772	17961	" " " " (front)
1329D	17961	" " " " Screw (4)
39780	17961	" " " " Slide
39781	17961	" " " " Block
39788	17961	" " " " Connecting Spring
262004	17961	Cord Rotating Gear Slide Connecting Spring Plate
1241E	17961	Cord Rotating Gear Slide Connecting Spring Screw Eye (front)
262005	17961	Cord Rotating Gear Slide Extension
185F	17961	" " " " " Screw (2)
262006	17961	Cord Rotating Gear Slide Sleeve
262007	17961	" " " " " Slide Rod
262008	17961	Cord Rotating Gear Slide Sleeve Slide Rod Connection
871C	17961	Cord Rotating Gear Slide Sleeve Slide Rod Connection Handle Screw
1200C	17961	Cord Rotating Gear Slide Sleeve Slide Rod Connection Hinge Screw
1521E	17961	Cord Rotating Gear Slide Sleeve Slide Rod Nut
39784	17961	Cord Rotating Gear Slide Sleeve Spring
39856	17961	" " " " Sector with 7071, 39832 and 201321C
39832	17961	Cord Rotating Sector Adjustable Catch Notch Gib
201321C	17961	Cord Rotating Sector Adjustable Catch Notch Gib Screw
7071	17961	Cord Rotating Sector Adjustable Catch Notch Gib Screw Washer
39775	17959	Cord Rotating Sector Catch
39776	17959	" " " " " Connection
39777	17959	" " " " " Collar with two 219F
219F	17959	Cord Rotating Sector Catch Connection Collar Set Screw
240D	17959	Cord Rotating Sector Catch Screw (2)
39778	17959	" " " " " Spring
219F	17959	" " " " " Screw
440AL	17959	Cord Rotating Sector Catch Stop Screw
1547J	17959	" " " " " " Nut
350342D	17961	Cord Rotating Sector Hinge Screw (eccentric)
1520E	17961	Cord Rotating Sector Hinge Screw Nut

## PARTS FOR MACHINE No. 71-112

No.	Plate	Name
213949	17961	Cord Rotating Sector Hinge Screw Washer
262009	17960	Cord Rotating Tripping Cam with two 458C
458C	17960	Cord Rotating Tripping Cam Set Screw
39790	17952	" Take-up Spring
2455	17952	" Tension Disc (2)
50167D	17952	" " Screw Stud
39789	17952	" " Spring
1562J	17952	" " Thumb Nut
24028	18220	Crank Connecting Rod with 24085 and two 896E
*24085	-----	Crank Connecting Rod Cap
896E	18220	" " " " " Screw
908C	18220	" " " " " Hinge Screw
249933	18220	" " " " " Oil Tube (brass)
202423	18220	Crank Connecting Rod Hinge Screw Oiling Wick
1619E	18220	Crank Connecting Rod Hinge Screw Nut
262010	17952	Face Plate
217F	17952	" " " " " Screw (lower)
190D	17952	" " " " " (upper)
249846	17960	Feed Driving Gear with two 448AL
249965	17960	" " " " (intermediate) with two 457E
40141	17960	Feed Driving Gear (intermediate) (large) for Stud
249967	17960	Feed Driving Gear (intermediate) (small) for Stud
249968	17960	Feed Driving Gear (intermediate) for Swing Bracket
350430D	17960	Feed Driving Gear (intermediate) for Swing Bracket Screw
40133	17960	Feed Driving Gear (intermediate) for Swing Bracket Screw Washer
249969	17960	Feed Driving Gear (intermediate) Bracket
40142	17962	Feed Driving Gear (intermediate) Bracket Position Lever
350500C	17960	Feed Driving Gear (intermediate) Bracket Position Lever Clamping Screw
249970	17960	Feed Driving Gear (intermediate) Pinion Shaft
249995	17960	Feed Driving Gear (intermediate) Pinion Shaft Collar with two 350462E
350462E	17960	Feed Driving Gear (intermediate) Pinion Shaft Collar Set Screw
249849	17960	Feed Driving Gear (intermediate) Pinion Shaft Eccentric Bushing
249844	17960	Feed Driving Gear (intermediate) Pinion Shaft Eccentric Bushing Position Plate





No.	Plate	Name
250397	17922	Needle Bar Frame Driving Gear (intermediate) Bracket Position Pin
129E	17922	Needle Bar Frame Driving Gear (intermediate) Bracket Screw (2)
201715C	17922	Needle Bar Frame Driving Gear (intermediate) Clamping Nut
235356	17922	Needle Bar Frame Driving Gear (intermediate) Pin
249670	17922	Needle Bar Frame Driving Gear (intermediate) Stud
1149AL	17922	Needle Bar Frame Driving Gear (intermediate) Stud Set Screw
200068H	17922	Needle Bar Frame Driving Gear Screw (2)
23610	17958	Needle Bar Frame Pitman (hinge screw end)
23609	17958	Needle Bar Frame Pitman (regulator end)
190C	17958	Needle Bar Frame Pitman Adjusting Screw
7071	17958	Needle Bar Frame Pitman Adjusting Screw Washer
23611	17958	Needle Bar Frame Pitman (adjustable) complete, Nos. 23609, 23610, two each 190C and 7071
1042C	17958	Needle Bar Frame Pitman Hinge Screw
1547J	17958	" " " " " "
		Nut
249673	17958	Needle Bar Frame Regulator
1038C	17958	" " " " Adjusting Screw
1698C	17958	Needle Bar Frame Regulator Adjusting Screw Nut
7070	17958	Needle Bar Frame Regulator Adjusting Screw Sleeve
39504	17958	Needle Bar Frame Regulator Adjusting Screw Washer
249668	17958	Needle Bar Frame Regulator Hinge Stud
446C	17958	Needle Bar Frame Regulator Hinge Stud Set Screw
673F	17958	Needle Bar Frame Screw Center
1517J	17958	" " " " " Nut
262013	17955	" Plate
404D	17955	" " Screw (2)
904F	17958	" Set Screw
*249674	17922	" Vibrating Gear with two 350249E
12546	17922	Needle Vibrating Gear Position Pin
350249E	17922	" " " " Screw
39653	18220	Oscillating Rock Shaft
23494	18220	" " " Hinge Pin with 23421
23421	18220	Oscillating Rock Shaft Hinge Pin Oil Hole Plug (leather)

No.	Plate	Name
448AL	18220	Oscillating Rock Shaft Hinge Pin Set Screw
4784	18220	Oscillating Rock Shaft Oil Pad
39654	18220	Oscillating Rock Shaft complete, Nos. 4784, 23494 and 39653
39655	18220	Oscillating Shaft
39656	18220	" " Bushing (back)
24047	18220	" " " (front)
249931	18220	" " " "
		Oil Tube (brass)
250451	18220	Oscillating Shaft Bushing (front)
		Oil Tube Plate
190D	18220	Oscillating Shaft Bushing (front)
		Oil Tube Plate Screw
249932	18220	Oscillating Shaft Bushing (front)
		Oil Tube Support Plate
39657	18220	Oscillating Shaft Crank
1253C	18220	" " " Set Screw
39658	18220	Oscillating Shaft Crank complete, Nos. 1636E, 24050, 39657 and two 1253C
19448	18220	Oscillating Shaft Crank Slide Block
226J	18220	" " " "
		Cap Screw
12424	18220	Oscillating Shaft Crank Slide Block
		Cap Screw Washer
1035C	18220	Oscillating Shaft Crank Slide Block Screw Stud
1636E	18220	Oscillating Shaft Crank Slide Block Screw Stud Nut
24050	18220	Oscillating Shaft Crank Slide Block complete, Nos. 226J, 1035C, 12424 and 19448
*249890	-----	Pulley (loose) with 200584D
249891	18220	" " Ball Bearing
249892	18220	" " Bushing
200584D	18220	" " Grease Retaining Screw
249893	18220	Pulley (loose) (ball bearing) complete, Nos. 249890 to 249892
249702	18220	Pulley (tight) with 454C
40025	18220	" " Pin (2)
454C	18220	" " Set Screw
262014	17962	Sewing Safety Lock
59D	17962	" " " Hinge Screw
249947	17962	" " " Pitman (front section)
249948	17962	Sewing Safety Lock Pitman (rear section)
350235D	17962	Sewing Safety Lock Pitman Hinge Screw (back)
766D	17962	Sewing Safety Lock Pitman Hinge Screw (front)
914F	17962	Sewing Safety Lock Pitman Screw
39541	17962	" " " " Washer

23924-2

## PARTS FOR MACHINE No. 71-112

No.	Plate	Name
249949	17962	Sewing Safety Lock Pitman complete, Nos. 249947, 249948 two each 914F and 39541
23500	18200	Shuttle Bobbin
15140	18200	" " Case Latch
2973	18200	" " " " Lever
2974	18200	" " " " "
		Fulcrum Pin
15141	18200	Shuttle Bobbin Case Hinge, Nos. 2973, 2974 and 15140
2975	18200	Shuttle Bobbin Case Latch Spring
592E	18200	" " " " Stop Screw
39623	18200	" " " " Position Finger
2523	18200	" " " " "
		Rivet
249546	18200	Shuttle Bobbin Case Position Plate
399D	18200	" " " " "
		Screw
40112	18200	Shuttle Bobbin Case complete, Nos. 591F, 592E, 2523, 2975, 15141, 15278 and 39623
40028	18200	Shuttle Body
40029	18200	" " 1-11/16 in. diam., Nos. 23500, 40112 and 40028
23505	18220	Shuttle Driver with 462AL
462AL	18220	" " Set Screw
2269	18220	" " Pin
249924	18200	" Race
39969	18200	" " Back
2532	18200	" " " Position Pin
2533	18200	" " " Spring
907E	18200	" " " Screw
7326	18200	" " Cap
662D	18200	" " " Screw
249928	18200	" " Oil Packing (felt)
249926	18200	" " Plate
203E	18200	" " " Screw
249927	18200	" " Position Pin
249929	18200	Shuttle Race complete, Nos. 907E, 2533, 7326, 39969, 249546, 249924, 249926, two each 399D, 662D, 2532, 249927, 249928 and three 203E
145F	18200	Shuttle Race Screw (2)
591F	18200	" Tension Regulating Screw
15278	18200	" " Spring
249703	18229	Starting Lever
717C	18229	" " Adjusting Screw
1520J	18229	" " " " Nut
249704	18229	" " Bracket
8582	18229	" " " Dowel Pin (2)
123E	18229	" " " Screw
23511	18229	" " Rod
61C	18229	" " " Hinge Screw
249998	17953	" " Safety
564C	18229	" " Screw Center
58384	18229	" " " " 564C with

1508R (2)

## PARTS FOR MACHINE No. 71-112

No.	Plate	Name
1508R	18229	Starting Lever Screw Center Nut
222616	18229	" " " Spring
39675	18229	" " " Collar with
		two 191C
191C	18229	Starting Lever Spring Collar Set Screw
202005	18229	Starting Lever Spring Washer
124F	18229	" " Stop Screw
1518J	18229	" " " " Nut
249675	17922	Stitch Regulating Gear, 18 teeth
249677	17922	" " " 20 teeth
249679	17922	" " " 24 teeth
249682	17922	" " " 30 teeth
249725	17922	" " " 36 teeth
249727	17922	" " " 40 teeth
		Note: No. 249727 is furnished with Machines unless otherwise specified on order.
249744	17922	Stitch Regulating Gear, 45 teeth
249923	17962	" " " Disengaging
		Lever
350337C	17962	Stitch Regulating Gear Disengaging Lever Hinge Screw
40144	17962	Stitch Regulating Gear Disengaging Slide
40145	17962	Stitch Regulating Gear Disengaging Slide Bracket
158E	17962	Stitch Regulating Gear Disengaging Slide Bracket Screw
95C	17962	Stitch Regulating Gear Disengaging Slide Operating Screw
99C	17962	Stitch Regulating Gear Disengaging Slide Screw
40146	17960	Stitch Regulating Gear Guard
201721C	17922	" " " Guide and
		Lock Nut
249739	17922	Stitch Regulating Gear Pin
249912	17922	" " " Spring
249705	18229	Stop Cam with two 202330
249706	18229	" " " Gear
249707	18229	" " " Guard
164D	18229	" " " Screw (2)
249708	18229	" " " Stud
200522C	18229	" " " Set Screw
249741	18229	" " Interlocking Rod
249709	18229	" " " " Guide
		with 1070C
249950	-----	Stop Cam Interlocking Rod Guide
		249709 with 1959
1070C	18229	Stop Cam Interlocking Rod Guide Set Screw
39988	18229	Stop Cam Interlocking Rod Guide Washer (rawhide)
21651	18229	Stop Cam Interlocking Rod Spring
913C	18229	" " " " "
		Regulating Thumb Screw

## PARTS FOR MACHINE No. 71-112

No.	Plate	Name
1638E	18229	Stop Cam Interlocking Rod Spring
		Regulating Thumb Screw Nut
202330	18229	Stop Cam Oil Packing (wick)
249742	18229	" " " Spring
249943	18229	" " " Cover
200083D	18229	" " " Screw (3)
871C	18229	" " " Stop Screw
249713	18229	" " " " Block with
		457AL
457AL	18229	Stop Cam Spring Stop Screw Block Set
		Screw
249922	17956	Stop Lever
50416C	17956	" " Hinge Screw
2102	17959	Tension (side of arm) Disc (2)
1560C	17959	" " " " Regulating Thumb
		Nut
23519	17959	Tension (side of arm) Releaser with
		200F
40033	17957	Tension (side of arm) Releaser Arm
		with 50128E
12538	17957	Tension (side of arm) Releaser Arm
		Pin
50128E	17957	Tension (side of arm) Releaser Arm
		Set Screw
40051	17957	Tension (side of arm) Releaser Lever
		with 641C
40052	17957	Tension (side of arm) Releaser Lever
		Lock Pin
1352C	17957	Tension (side of arm) Releaser Lever
		Lock Pin Screw Bushing
40053	17957	Tension (side of arm) Releaser Lever
		Lock Pin Spring
2117C	17957	Tension (side of arm) Releaser Lever
		Pin
641C	17957	Tension (side of arm) Releaser Lever
		Set Screw
249880	17957	Tension (side of arm) Releaser Lever
		Shaft
40067	17957	Tension (side of arm) Releaser Lever
		Shaft Bracket
966D	17957	Tension (side of arm) Releaser Lever
		Shaft Bracket Screw (3)
249843	17957	Tension (side of arm) Releaser Lever
		Spring
1241E	17957	Tension (side of arm) Releaser Lever
		Spring Screw Stud (2)
717C	17957	Tension (side of arm) Releaser Lever
		Stop Screw
1520J	17957	Tension (side of arm) Releaser Lever
		Stop Screw Nut
1469C	18229	Tension (side of arm) Releaser Lever
		Stop Screw Stud
200F	17959	Tension (side of arm) Releaser Set
		Screw
39797	17959	Tension (side of arm) Releaser Shaft
39798	17959	" " " " " " "
		Crank

## PARTS FOR MACHINE No. 71-112

No.	Plate	Name
679C	17959	Tension (side of arm) Releaser Shaft
		Crank Ball Screw Stud
1520J	17959	Tension (side of arm) Releaser Shaft
		Crank Ball Screw Stud Nut
2269	17959	Tension (side of arm) Releaser Shaft
		Crank Pin
1043C	17959	Tension (side of arm) Screw Stud
350060C	17959	" " " " " "
		Set Screw
8238	17959	Tension (side of arm) Spring
249999	17959	Tension (side of arm) complete, Nos.
		1043C, 1560C, 8238, 39652, 39950 and
		two 2102
32012	18232	Tension (top cover) Disc (2)
1560C	18232	" " " " Regulating Thumb
		Nut
249685	18232	Tension (top cover) Releaser
1387C	18232	" " " " Guide
		Screw Stud
1521E	18232	Tension (top cover) Releaser Guide
		Screw Stud Nut
249686	18232	Tension (top cover) Releaser Holder
		with 201F
999F	18232	Tension (top cover) Releaser Holder
		Hinge Screw
249687	17953	Tension (top cover) Releaser Rod
40043	17953	" " " " " "
		Collar with 209AL (2)
209AL	17953	Tension (top cover) Releaser Rod
		Collar Set Screw
249800	17953	Tension (top cover) Releaser Rod
		Spring
201F	18232	Tension (top cover) Releaser Set
		Screw
32572	18232	Tension (top cover) Releasing Disc
39633	18232	" " " " " Lever
249688	18232	" " " " " "
		Connection
974F	18232	Tension (top cover) Releasing Lever
		Connection Screw (back)
940F	18232	Tension (top cover) Releasing Lever
		Connection Screw (front)
90C	18232	Tension (top cover) Releasing Lever
		Hinge Screw
39635	18232	Tension (top cover) Releasing Pin
1388C	18232	" " " " Screw Stud
1664E	18232	" " " " " Nut
2103	18232	" " " " Spring
39636	18232	" " " " Thread Eyelet
		(double)
217F	18232	Tension (top cover) Thread Eyelet
		Screw
262022	17961	Thread and Cord Cutter Actuating
		Slide
262023	17961	Thread and Cord Cutter Actuating
		Slide Block

No.	Plate	Name
350310E	17961	Thread and Cord Cutter Actuating Slide Block Screw
232131	17961	Thread and Cord Cutter Actuating Slide Block Screw Washer
39869	17960	Thread and Cord Cutter Actuating Slide Operating Disc with 450C and 453AL
262024	17960	Thread and Cord Cutter Actuating Slide Operating Disc Adjusting Sleeve with 1550J and 350343C
249785	17960	Thread and Cord Cutter Actuating Slide Operating Disc Adjusting Sleeve Spring
450C	17960	Thread and Cord Cutter Actuating Slide Operating Disc Position Screw
453AL	17960	Thread and Cord Cutter Actuating Slide Operating Disc Set Screw
350343C	17960	Thread and Cord Cutter Actuating Slide Operating Disc Stud
1550J	17960	Thread and Cord Cutter Actuating Slide Operating Disc Stud Nut
39880	17961	Thread and Cord Cutter Actuating Slide Spring
1241E	17961	Thread and Cord Cutter Actuating Slide Spring Screw Stud (2)
7071	17961	Thread and Cord Cutter Actuating Slide Spring Screw Stud Washer
39985	17961	Thread and Cord Cutter Actuating Slide Support
203E	17961	Thread and Cord Cutter Actuating Slide Support Screw
39882	17961	Thread and Cord Cutter Actuating Slide Support Washer (rawhide)
262025	17961	Thread and Cord Cutter Actuating Slide Stud
129E	17961	Thread and Cord Cutter Actuating Slide Stud Set Screw
39867	17954	Thread and Cord (upper) Clamping Blade
39858	17954	" " " " Cutting Blade
39917	17954	" " " " " "
		Connecting Rod
40044	17954	Thread and Cord (upper) Cutting Blade Connecting Rod Collar with 237X
2273	17954	Thread and Cord (upper) Cutting Blade Connecting Rod Collar Pin
237X	17954	Thread and Cord (upper) Cutting Blade Connecting Rod Collar Set Screw
40045	17954	Thread and Cord (upper) Cutting Blade Connecting Rod Collar Washer (rawhide)
106C	17954	Thread and Cord (upper) Cutting Blade Connecting Rod Hinge Screw
262017	17954	Thread and Cord (upper) Cutting Blade Connecting Rod Latch
39861	17954	Thread and Cord (upper) Cutting Blade Connecting Rod Latch Hinge Bracket

No.	Plate	Name
201296D	17954	Thread and Cord (upper) Cutting Blade Connecting Rod Latch Hinge Bracket Screw
7071	17954	Thread and Cord (upper) Cutting Blade Connecting Rod Latch Hinge Bracket Screw Washer
201289C	17954	Thread and Cord (upper) Cutting Blade Connecting Rod Latch Hinge Screw
249930	17957	Thread and Cord (upper) Cutting Blade Connecting Rod Latch Lifting Lever
262028	17957	Thread and Cord (upper) Cutting Blade Connecting Rod Latch Lifting Lever Adjusting Plate
206F	17957	Thread and Cord (upper) Cutting Blade Connecting Rod Latch Lifting Lever Adjusting Plate Screw
250491	17957	Thread and Cord (upper) Cutting Blade Connecting Rod Latch Lifting Lever Adjusting Plate Screw Washer
350287C	17957	Thread and Cord (upper) Cutting Blade Connecting Rod Latch Lifting Lever Screw
39541	17957	Thread and Cord (upper) Cutting Blade Connecting Rod Latch Lifting Lever Screw Washer
39862	17954	Thread and Cord (upper) Cutting Blade Connecting Rod Latch Spring
233D	17954	Thread and Cord (upper) Cutting Blade Connecting Rod Latch Spring Screw
262020	17957	Thread and Cord (upper) Cutting Blade Connecting Rod Latch Stud
1521E	17957	Thread and Cord (upper) Cutting Blade Connecting Rod Latch Stud Nut
262021	17957	Thread and Cord (upper) Cutting Blade Connecting Rod Latch Stud Support
262030	17957	Thread and Cord (upper) Cutting Blade Connecting Rod Latch Stud Support Spring
39863	17954	Thread and Cord (upper) Cutting Blade Connecting Rod Spring
39903	17954	Thread and Cord (upper) Cutting Blade Connecting Rod Spring Bracket
39864	17954	Thread and Cord (upper) Cutting Blade Connecting Rod Spring Bracket Plate
201291B	17954	Thread and Cord (upper) Cutting Blade Connecting Rod Spring Bracket Screw
39865	17954	Thread and Cord (upper) Cutting Blade Connecting Rod Spring Collar with 201288D
201288D	17954	Thread and Cord (upper) Cutting Blade Connecting Rod Spring Collar Set Screw
219F	17954	Thread and Cord (upper) Cutting Blade Screw
39866	17954	Thread and Cord (upper) Cutting Blade Shaft

No.	Plate	Name
40050	17954	Thread and Cord (upper) Cutting Blade Shaft Crank with 906C
2269	17954	Thread and Cord (upper) Cutting Blade Shaft Crank Pin
906C	17954	Thread and Cord (upper) Cutting Blade Shaft Crank Set Screw
40035	17955	Thread (lower) Cutting Blade
40036	17955	" " " " Carrier with 40038
40037	17957	Thread (lower) Cutting Blade Carrier Lever
320	17957	Thread (lower) Cutting Blade Carrier Lever Hinge Screw
249534	17957	Thread (lower) Cutting Blade Carrier Lever Spring
1241E	17957	Thread (lower) Cutting Blade Carrier Lever Spring Screw Stud (2)
435AL	17957	Thread (lower) Cutting Blade Carrier Lever Stop Screw
1520J	17957	Thread (lower) Cutting Blade Carrier Lever Stop Screw Nut
40038	17955	Thread (lower) Cutting Blade Carrier Stud
262015	17955	Thread (lower) Cutting Blade Friction Plate
228F	17955	Thread (lower) Cutting Blade Friction Plate Screw (2)
240D	17955	Thread (lower) Cutting Blade Screw (2)
249831	17957	Thread (lower) Cutting Lever
1351C	17957	" " " " Ball Screw
1520J	17957	Thread (lower) Cutting Lever Ball Screw Nut
249871	17957	Thread (lower) Cutting Lever Extension
350246C	17957	" " " " Hinge Screw
1521E	17957	Thread (lower) Cutting Lever Extension Hinge Screw Nut
249916	17957	Thread (lower) Cutting Lever Extension Spring
996E	17957	Thread (lower) Cutting Lever Extension Spring Screw Stud
249845	17955	Thread (lower) Pull-off Finger
106C	17955	" " " " Guide Screw
1350C	17955	Thread (lower) Pull-off Finger Hinge Screw
249979	17957	Thread (upper) Cutting Lock (lower section)
249980	17957	Thread (upper) Cutting Lock (upper section)
90C	17957	Thread (upper) Cutting Lock Hinge Screw
203E	17957	Thread (upper) Cutting Lock Screw

No.	Plate	Name
249981	17957	Thread (upper) Cutting Lock complete, - Nos.249979,249980 and two 203E
23669	17959	Thread Guide (side of arm) (lower)
1019C	17959	" " " " " " Set Screw
39711	17959	Thread Guiding Stud (side of arm)
460AL	17959	" " " " " " Set Screw
39712	18232	Thread Retainer Holder with 462AL
1664E	18232	" " " Nut
12400	18232	" " Sleeve
39713	18232	" " Spring
12402	18232	" " Stud
462AL	18232	" " " Set Screw
39714	18232	Thread Retainer complete, Nos.1664E, 12400,12402,39712 and 39713
23523	17958	Thread Take-up Crank
1036AL	18220	" " " Position Screw
1258AL	18220	" " " Set Screw
23524	17958	" " Lever
12166	17958	" " " Hinge Pin
23543	17958	" " " Link
249915	17958	" " " " Hinge Pin with 222598
222598	17958	Thread Take-up Lever Link Hinge Pin Oil Packing (wick)
435AL	17958	Thread Take-up Lever Link Hinge Pin Set Screw
4784	17958	Thread Take-up Lever Oil Pad
23525	17958	Thread Take-up Lever complete, Nos. 12166,23524 and 23543
39652	17959	Thread Take-up Spring
39950	17959	" " " Regulator with 350060C
446C	17959	Thread Take-up Spring Regulator Set Screw

## ACCESSORIES

No.	Plate	Name
262026	17951	Gauge, for 3/8 to 1-1/4 in., for setting length of buttonhole, with 200137H and 249789
249789	17951	Gauge Chain and Ring
200137H	17951	" " " " Screw
40013	17951	Guide
1238F	17951	" Screw
39799	17953	Knife, 3/8 inch
39800	17953	" 1/2 inch
39801	17953	" 5/8 inch
23500	-----	Shuttle Bobbin (5)
249682	17922	Stitch Regulating Gear, 30 teeth
249725	17922	" " " 36 teeth
249744	17922	" " " 45 teeth
40035	-----	Thread (lower) Cutting Blade
39867	17954	" and Cord (upper) Clamping Blade
39858	17954	" " " " Cutting Blade
71 X 1	-----	Needles, three each, sizes 14 and 16
23527	18234	Drip Pan with two wood screws 1/2 in., No. 5, R.H.B.
120346	17951	Oiler (copper plated) with 120347
120347	17951	" Spout, 8-1/2 in. long
11851	17951	Screw Driver (5 in. blade) (machine, large)
259477	17951	Screw Driver
250522	17951	" " (for needle set screw)
249746	17951	" " ,for Needle Bar Connecting Stud Set Screw
255513	17951	Tweezers
255541	17951	Wrench
255540	17951	"
21654	17951	"
23535	17951	"
249820	17951	"
249945	17951	"

## BOBBIN WINDER

249714	18236	Base with 27916 and two 28084
15072	18236	Bobbin Position Pin
27916	18236	Brake (leather)
28084	18236	" Rivet

## ACCESSORIES

No.	Plate	Name
249715	18236	Frame
50356D	18236	" Hinge Screw
1620J	18236	" " " Nut
249716	18236	" Spring
27918	18236	Pulley
*27849	18236	Spindle
27538	18236	Spindle 27849 with 15072, 27850 and 41828
*27850	18236	Spindle Collar
41828	18236	" " Pin
249938	18236	Stop Latch
35D	18236	" " Hinge Screw
10249	18236	" " Spring
203E	18236	" " " Screw
7071	18236	" " " Washer
249696	18236	Tension Bracket with 452C
249697	18236	Tension Bracket complete, Nos. 1620J, 5989, 10145, 27922, 249693 and 249696
2455	18236	Tension Disc
1562J	18236	" Regulating Thumb Nut
418D	18236	" Screw Stud
10141	18236	" Spring
10145	18236	" Thread Guide
5989	18236	Tension complete, Nos. 418D, 1562J, 10141, and two 2455
27922	18236	Thread Eyelet Rod
452C	18236	" " " Set Screw
249693	18236	" Leader
1620J	18236	" Lock Nut
249939	18236	Bobbin Winder complete, Nos. 35D, 203E, 1620J, 7071, 10249, 27538, 27918, 50356D, 249714 to 249716 and 249938

## DRIVING EQUIPMENT

228320	18235	Bed Frame Cushion (felt)
228321	18235	Belt Idler Belt Guide with 361C
361C	18235	" " " " Set Screw
228423	18235	" " Pulley
228323	18235	" " " Bracket with three 355C
355C	18235	Belt Idler Pulley Bracket Set Screw
126910	18235	" " " " Shaft
228324	18235	" " " " Hanger with two 355C and three wood screws 1 in., No. 12
355C	18235	Belt Idler Pulley Bracket Shaft Set Screw
228326	18235	Belt Idler Pulley Shaft with 858AL and 203100

## ACCESSORIES

No.	Plate	Name
203100	18235	Belt Idler Pulley Shaft Oil Packing (wick)
858AL	18235	Belt Idler Pulley Shaft Oil Stop Screw
355C	18235	Belt Idler Pulley Shaft Set Screw
228327	18235	" " " Washer (rawhide)
228328	18235	Belt Idler complete, Nos. 126910, 228324, two each 228321, 228323, 228326, 228423, four 228327 and Form All27
228330	18235	Clamp Lifting Chain, 46 in. long, with 39575 and 39576 (for right hand machine)
39571	18235	Clamp Lifting Chain Guide Pulley
236849	18235	" " " " " " Bracket
1064D	18235	Clamp Lifting Chain Guide Pulley Hinge Screw
236850	18235	Clamp Lifting Chain Guide Pulley Bracket complete, Nos. 1064D, 39571, 236849 and two wood screws 1-1/4 in., No. 12, R.H.B.
39575	18235	Clamp Lifting Chain Hook (large)
39576	18235	" " " " (small)
23551	18235	" " " " Screw Eye
234344	18235	Front Plank Extension (front) with two wood screws 2-1/4 in., No. 12 and three wood screws 1-3/4 in., No. 12
250408	18235	Machine Rest (high) with 232982 and two wood screws 1 in., No. 12
232982	18235	Machine Rest Cushion (leather)
228333	18235	Starting Chain Cushion Spring
39575	18235	" " " Hook (large)
39576	18235	" " " (small)
228347	18235	" " " (lower), 10-1/2 in. long
228348	18235	Starting Chain (upper), 22 in. long
228349	18235	Starting Chain complete, Nos. 228333, 228347, 228348, two each 39575 and 39576
14372	18235	Treadle
14373	18235	" Extension
50581R	18235	" " " Screw
2718R	18235	" " " " Washer
17881	18235	" Shaft
14374	18235	" Spring
14375	18235	" Stand
14376	18235	Treadle complete, Nos. 2718R, 14372 to 14375, 17881, 50581R and two wood screws, 1-1/4 in., No. 12 F.H.
228354	18235	Driving Equipment less shaft pulley, complete, Nos. 228328, 228330, 228349, 234344, 250408, two each 14376, 23551, four each 228320 and 236850

## IRON BASE

No.	Plate	Name
249993	18234	Bed Frame with two each 16555, 19398, four each 84E, 24106, six 14010 and four wood screws 1-1/4 in., No. 12
24106	18234	Bed Frame Cushion (felt)
84E	18234	" " " " Screw
19226	18234	" " " Hinge Connection
19398	18234	" " " " 19226 with 211E and 19397
19397	18234	Bed Frame Hinge Connection Cap
211E	18234	" " " " " " Screw
16555	18234	" " " " " " Plate
14010	18234	" " " " " " Rivet
150481	18234	Idler Pulley
249991	18234	" " " Bracket with 2003630, 201007C and 350453C
350453C	18234	Idler Pulley Bracket Position Screw
2003630	18234	" " " " Set Screw
249992	18234	Idler Pulley Bracket complete, Nos. 150496 and 249991
150482	18234	Idler Pulley Shaft
150483	18234	" " " " Ball Bearing
150484	18234	" " " " " " Cover
150485	18234	" " " " " " " " Gasket (cork)
330R	18234	Idler Pulley Shaft Ball Bearing Cover Screw
144D	18234	Idler Pulley Shaft Screw
201007C	18234	" " " " Set Screw
150496	18234	Idler Pulley and Shaft complete, Nos. 144D, 150481 to 150485 and four 330R
249722	18234	Splash Guard with 201655H
39912	18234	" " " Hinge
200574E	18234	" " " " Screw
201655H	18234	" " " Locking Screw Wing Nut
249723	18234	Bed Frame and Splash Guard complete, Nos. 249722, 249993 two 39912 and eight 200574E

## THREAD UNWINDER

## FOR THREE SPOOLS

No.	Plate	Name
259370	13599	Spool Pin
259371	13599	" " Cap (bakelite)
1010F	13599	" " Hinge Screw
259372	13599	" " Washer
259373	13599	Spool Pin complete, Nos. 1010F and 259370 to 259372
259374	13599	Spool Rest (for one spool) (flat) with 201018C
259375	13599	Spool Rest (for two spools) (flat) with 201018C
150203	13599	Spool Rest Cushion (felt)
225388	13599	" " Rod
200383C	13599	" " Set Screw
201018C	13599	" " Set Screw
259658	13599	" Stand with 200383C
225391	13599	Thread Guide
201696H	13599	" " Lock Nut
225326	13599	" " Position Cup
225324	13599	" " Rod with 208AL and 225322
208AL	13599	" " Screw
225322	13599	" " Washer
259377	13599	Thread Unwinder (for three spools) complete, Nos. 201696H, 225324, 225326, 225388, 259374, 259375, 259658, three each 150203, 225391, 259373 and wood screws 7/8 in., No. 12

## DRIVING EQUIPMENT

## FOR MACHINES WHEN SET IN PAIRS

228320	17903	Bed Frame Cushion (felt)
228321	17903	Belt Idler Belt Guide with 361C
361C	17903	" " " " Set Screw
228423	17903	" " Pulley
228323	17903	" " Bracket with three 355C
355C	17903	Belt Idler Pulley Bracket Set Screw
126910	17903	" " " " Shaft
228324	17903	" " " " Hanger with two 355C and three wood screws 1 in., No. 12
355C	17903	Belt Idler Pulley Bracket Shaft Set Screw

No.	Plate	Name
228326	17903	Belt Idler Pulley Shaft with 858AL and 203100
203100	17903	Belt Idler Pulley Shaft Oil Packing (wick)
858AL	17903	Belt Idler Pulley Shaft Oil Stop Screw
355C	17903	" " " " Set Screw
228327	17903	" " " Washer (rawhide)
228328	17903	Belt Idler complete, Nos. 126910, 228324, two each 228321, 228323, 228326, 228423, four 228327 and Form All27
228330	17903	Clamp Lifting Chain, 46 in. long, with 39575 and 39576 (for right hand machine)
228329	17903	Clamp Lifting Chain, 34 in. long, with 39575 and 39576 (for left hand machine)
39571	17903	Clamp Lifting Chain Guide Pulley
236849	17903	" " " " " Bracket
1064D	17903	" " " " " Hinge Screw
236850	17903	Clamp Lifting Chain Guide Pulley Bracket complete, Nos. 1064D, 39571, 236849 and two wood screws 1-1/4 in., No. 12, R.H.B.
39575	17903	Clamp Lifting Chain Hook (large)
39576	17903	" " " " (small)
23551	17903	" " " Screw Eye
228331	17903	Front Plank Extension with two wood screws 2-1/2 in., No. 14
39810	17903	Knee Starting Rock Shaft
228332	17903	" " " " Connecting Rod
6337	17903	" " " " " "
356C	17903	Bracket with two 356C
356C	17903	Knee Starting Rock Shaft Connecting Rod Bracket Set Screw
228333	17903	Knee Starting Rock Shaft Connecting Rod Set Screw
39575	17903	Knee Starting Rock Shaft Connection Cushion Spring
39576	17903	Knee Starting Rock Shaft Connection Hook (large)
228334	17903	Knee Starting Rock Shaft Connection Hook (small)
228335	17903	Knee Starting Rock Shaft Connection Spring
21327	17903	Knee Starting Rock Shaft Hanger with two wood screws 1 in., No. 10
6335	17903	Knee Starting Rock Shaft Knee Arm
6336	17903	" " " " " "
2766	17903	6335 with 2766 and 2767
		Knee Starting Rock Shaft Knee Arm Hub with 356C



## DRIVING EQUIPMENT

No.	Plate	Name
356C	17903	Knee Starting Rock Shaft Knee Arm Hub Set Screw
1507R	17903	Knee Starting Rock Shaft Knee Arm Lock Nut
2767	17903	Knee Starting Rock Shaft Knee Plate with 356C
150668	17903	Knee Starting Rock Shaft Knee Plate Pad (rubber)
356C	17903	Knee Starting Rock Shaft Knee Plate Set Screw
228337	17903	Knee Starting Rock Shaft Position Spring
228338	17903	Knee Starting Rock Shaft Position Spring Adjusting Collar with 454C
454C	17903	Knee Starting Rock Shaft Position Spring Adjusting Collar Set Screw
2770	17903	Knee Starting Rock Shaft Stop Dog with 140219C
140219C	17903	Knee Starting Rock Shaft Stop Dog Set Screw
228339	17903	Knee Starting Rock Shaft complete, Nos. 1507R, 2770, 6336, 6337, 39810, 150668, 228332, 228335, 228337, 228338 and two 21327
250408	17903	Machine Rest (high) with 232982 and two wood screws 1 in., No. 12
232982	17903	Machine Rest Cushion (leather)
14372	17903	Treadle
14373	17903	" Extension
50581R	17903	" " Screw
2718R	17903	" " Washer
17881	17903	" Shaft
14374	17903	" Spring
14375	17903	" Stand
14376	17903	Treadle complete, Nos. 2718R, 14372 to 14375, 17881, 50581R and two wood screws 1-1/4 in., No. 12, F.H.
228355	17903	Driving Equipment less shaft pulley, (for machines set in pairs) complete, Nos. 228329 to 228331, 250408, two each 14376, 23551, 228328, 228339, 236850, eight 228320 and two blue prints.

## KNIFE GRINDER

No.	Plate	Name
39886	17904	Emery Wheel, 4 in. diameter
39887	17904	" " Driving Shaft
201510D	17904	" " " " Nut
204101	17904	" " " " Washer
39888	17904	" " " " Oil Hole Cover
350068E	17904	" " " " " " " " Screw
206963	17904	Emery Wheel Driving Shaft Pulley with two 200403C
200403C	17904	Emery Wheel Driving Shaft Pulley Set Screw
206969	17904	Emery Wheel Washer (paper)
39889	17904	Knife Grinder Frame
39890	17904	" Holder (adjustable)
57C	17904	" " Hinge Screw
39891	17904	" " Indicator
203094	17904	" " " Position Pin
200165H	17904	" " " Screw
39892	17904	" " Slide Bracket with 200386C
201298C	17904	" " " Adjusting Screw
39893	17904	Knife Holder Slide Bracket Adjusting Screw Slide Plate
200577AL	17904	Knife Holder Slide Bracket Adjusting Screw Slide Plate Screw
10249	17904	Knife Holder Slide Bracket Adjusting Screw Tension Spring
219F	17904	Knife Holder Slide Bracket Adjusting Screw Tension Spring Screw
200386C	17904	Knife Holder Slide Bracket Set Screw
39894	17904	" " " " Shaft
206232	17904	" " " " " Collar with 201052C
201052C	17904	Knife Holder Slide Bracket Shaft Collar Set Screw
771X	17904	Knife Holder Thumb Screw
9525	17904	" " " " Washer
39895	17904	" Holding Spring
39896	17904	" " " Bracket
204264	17904	" " " " Position Pin
176D	17904	" " " " Screw
204264	17904	" " " " Position Pin
793D	17904	" " " " Thumb Screw
39897	17904	" Stop (adjustable)
208AL	17904	" " Screw

## KNIFE GRINDER

No.	Plate	Name
39898	17904	Knife Grinder complete, Nos. 57C, 176D, 208AL, 219F, 771X, 793D, 9525, 10249, 39886 to 39897, 200165H, 201298C, 201510D, 203094, 204101, 206963, 350068E, two each 200577AL, 204264, 206232, 206969 and three wood screws 1-1/4 in., No. 12

## MISCELLANEOUS PARTS

For Buttonholes up to 1-1/4 in. long

39922	13598	Clamp Check with 39915, 50354E and two 237X
39923	13598	Clamp Check complete, for 13/16 to 1-1/4 in. buttonholes, Nos. 219F, 2269, 39858, 39866, 39867, 39922 and 40050
39842	17953	Knife, 13/16 inch
39795	17953	" 7/8 inch
39839	17953	" 15/16 inch
39830	17953	" 1 inch
39843	17953	" 1-1/16 inch
39826	17953	" 1-1/8 inch
39907	17953	" 1-1/4 inch
39859	13598	Thread and Cord (upper) Cutting Blade Connecting Rod

Used in conjunction with Thread Unwinder

60913	13599	Spool Weight with 60914
60914	13599	" " Center Pin
225377	13599	" Wire, for small spools
27739	13599	Thread Cone (wood)
225390	13599	" " Holder

## NUMERICAL LIST OF PARTS

No.	Plate	Name
32C	17957	Thread (lower) Cutting Blade Carrier Lever Hinge Screw
35D	18236	Bobbin Winder Stop Latch Hinge Screw, for 249939
41C	17957	Clamp Lifting Arm Connection Hinge Screw
52C	17956	Clamp Carrier Connecting Rod Hinge Screw
54C	17953	Knife Bar Driving Lever (intermediate) Connecting Link Hinge Screw
57C	17904	Knife Grinder Knife Holder Hinge Screw, for 39898
59D	17962	Sewing Safety Lock Hinge Screw
61C	18229	Starting Lever Rod Hinge Screw
67D	17956	Clamp Carrier Slide Lever Regulator Screw
84E	18234	Bed Frame Cushion Screw, for 249993
90D	17962	Feed Hand Ratchet Lever Pawl Hinge Screw, for 249914
90C	17953	Knife Bar Disengaging Lever Hinge Screw
90C	18232	Tension (top cover) Releasing Lever Hinge Screw
90C	17957	Thread (upper) Cutting Lock Hinge Screw
95C	17962	Stitch Regulating Gear Disengaging Slide Operating Screw, for 249913
99C	17962	Stitch Regulating Gear Disengaging Slide Screw, for 249913
106C	17955	Thread (lower) Pull-off Finger Guide Screw
106C	17954	Thread and Cord (upper) Cutting Blade Connecting Rod Hinge Screw
123E	18229	Starting Lever Bracket Screw
124F	18229	" " Stop Screw
129E	17922	Needle Bar Frame Driving Gear (intermediate) Bracket Screw
129E	17961	Thread and Cord Cutter Actuating Slide Stud Set Screw
135D	18236	Bobbin Winder Tension Bracket Screw
144D	18234	Idler Pulley Shaft Screw, for 150496
144D	17953	Knife Bar Driving Lever (intermediate) Cap Screw
145F	18200	Shuttle Race Screw
157F	17957	Clamp Lifting Arm Connection Roller and Screw Stud Bracket Screw
157C	17953	Knife Holder Screw
158E	17962	Belt Shifter Shaft Bracket Extension Screw

## NUMERICAL LIST OF PARTS

No.	Plate	Name
158E	17962	Stitch Regulating Gear Disengaging Slide Bracket Screw, for 249913
160H	17962	Feed Hand Ratchet Lever Extension Handle Screw, for 249914
161D	18236	Bobbin Winder Base Screw
161D	17960	Feed Driving Gear (intermediate) Pinion Shaft Eccentric Bushing Position Plate Screw
164D	18229	Stop Cam Gear Guard Screw
168D	17953	Knife Bar Stop Retainer Plate Screw
175E	17960	" " Disengaging Lever Catch Tripping Point Screw, for 249869
176D	17904	Knife Grinder Knife Holding Spring Bracket Screw, for 39898
184E	17956	Feed Wheel Tripping Lever Stop Screw
185F	17961	Cord Rotating Gear Slide Extension Screw
190D	18232	Arm Side Cover Screw
190D	18232	" Top Cover Screw
190D	17952	Face Plate Screw (upper)
190D	17956	Feed Wheel Tripping Lever Spring Screw
190C	17958	Needle Bar Frame Pitman Adjusting Screw, for 23611
190D	18220	Oscillating Shaft Bushing (front) Oil Tube Plate Screw
191C	17953	Barring Point Screw
191D	17962	Belt Shifter Shaft Bracket Stop Screw
191C	18246	Clamp Arm Bracket Screw
191C	18229	Starting Lever Spring Collar Set Screw, for 39675
194C	17962	Clamp Lifting Arm Connection Lock Stop Plate Support Stud
196F	18246	Clamp Arm Hinge Block Pin Set Screw, for 249955
199D	17954	Clamp Lifting Arm Screw
200F	17959	Tension (side of arm) Releaser Set Screw, for 23519
201F	18232	Tension (top cover) Releaser Set Screw, for 249686
203E	18236	Bobbin Winder Stop Latch Spring Screw, for 249939
203C	17956	Feed Wheel Tripping Lever Point Screw
203E	18200	Shuttle Race Plate Screw, for 249929
203E	17957	Thread (upper) Cutting Lock Screw, for 249981
203E	17961	Thread and Cord Cutter Actuating Slide Support Screw
206F	17957	Thread and Cord (upper) Cutting Blade Connecting Rod Latch Lifting Lever Adjusting Plate Screw
207F	18246	Clamp Arm Bracket Guide, (right) Screw
208AL	18232	Barring Shaft Guard Screw
208AL	17904	Knife Grinder Knife Stop Screw, for 39898

## NUMERICAL LIST OF PARTS

No.	Plate	Name
208AL	13599	Thread Unwinder Thread Guide Rod Screw, for 225324
209AL	17953	Tension (top cover) Releaser Rod Collar Set Screw, for 40043
211E	18234	Bed Frame Hinge Connection Cap Screw, for 19398
217F	17952	Face Plate Screw (lower)
217F	18232	Tension (top cover) Thread Eyelet Screw
219F	18246	Clamp Arm Bracket Guide (left) Screw, for 39916 and 39923
219F	17959	Cord Rotating Sector Catch Connection Collar Set Screw, for 39777
219F	17959	Cord Rotating Sector Catch Spring Screw
219F	17904	Knife Grinder Knife Holder Slide Bracket Adjusting Screw Tension Spring Screw, for 39898
219F	17954	Thread and Cord (upper) Cutting Blade Screw
220D	17956	Feed Wheel Tripping Point Screw, for 262011
223D	17922	Barring Slide Operating Plate (adjustable) Screw
223D	17956	Clamp Carrier Slide Lever Regulator Cap Screw
226J	18220	Oscillating Shaft Crank Slide Block Cap Screw, for 24050
228D	17922	Barring Slide Operating Plate (stationary) Screw
228F	17955	Thread (lower) Cutting Blade Friction Plate Screw
229D	17957	Clamp Lifting Arm Connection Roller Cap Screw, for 1901
229D	17922	Intermittent Feed Wheel Driving Roller Cap Screw, for 351872
229D	17953	Knife Bar Driving Lever (intermediate) Roller Cap Screw, for 1959
230F	17961	Cord Leading Finger (upper) Screw
233D	17954	Thread and Cord (upper) Cutting Blade Connecting Rod Latch Spring Screw
236F	17952	Cord Leading Eye Screw
237X	17962	Belt Shifter Shaft Guide Collar Set Screw, for 249861
237X	17954	Clamp Check Section and Cutting Plate Screw, for 39914 and 39922
237X	17954	Thread and Cord (upper) Cutting Blade Connecting Rod Collar Set Screw, for 40044
240D	17956	Clamp Carrier Regulator Stud Stop Screw, for 249960
240D	17959	Cord Rotating Sector Catch Screw
240D	17955	Thread (lower) Cutting Blade Screw
244D	18246	Clamp Carrier Guard Screw
330R	18234	Idler Pulley Shaft Ball Bearing Cover Screw, for 150496

## NUMERICAL LIST OF PARTS

No.	Plate	Name
355C	18235	Belt Idler Pulley Bracket Set Screw, for 228323
355C	18235	Belt Idler Pulley Bracket Shaft Set Screw, for 228324
355C	18235	Belt Idler Pulley Shaft Set Screw, for 228324
356C	17903	Knee Starting Rock Shaft Connecting Rod Bracket Set Screw, for 6337
356C	17903	Knee Starting Rock Shaft Connecting Rod Set Screw
356C	17903	Knee Starting Rock Shaft Knee Arm Hub Set Screw, for 2766
356C	17903	Knee Starting Rock Shaft Knee Plate Set Screw, for 2767
361C	18235	Belt Idler Belt Guide Set Screw, for 228321
389F	17961	Cord Leading Bracket Screw
399D	18200	Shuttle Bobbin Case Position Plate Screw, for 249929
402D	18246	Clamp Arm Screw
402D	18246	" Plate Support Screw
404D	17956	" Carrier Block Plate Screw, for 40006
404D	18246	Clamp Carrier Plate Screw (front)
404D	17955	Needle Plate Screw
418D	18236	Bobbin Winder Tension Screw Stud, for 5989
435AL	18220	Arm Shaft Flanged Bushing (back) Set Screw
435AL	17957	Thread (lower) Cutting Blade Carrier Lever Stop Screw
435AL	17958	Thread Take-up Lever Link Hinge Pin Set Screw
440AL	17959	Cord Rotating Sector Catch Stop Screw
446C	17958	Needle Bar Frame Regulator Hinge Stud Set Screw
446C	17959	Thread Take-up Spring Regulator Set Screw
448AL	17960	Feed Driving Gear Set Screw, for 249846
448AL	17960	Knife Bar Disengaging Lever Catch Tripping Point Collar Set Screw, for 249869
448AL	18220	Oscillating Rock Shaft Hinge Pin Set Screw
450C	17960	Thread and Cord Cutter Actuating Slide Operating Disc Position Screw, for 39869
452C	17922	Barring Slide Stop Screw (adjustable) Set Screw, for 249611
452C	18236	Bobbin Winder Thread Eyelet Rod Set Screw, for 249696
453AL	18220	Intermittent Feed Wheel Driving Bevel Pinion Set Screw, for 249645
453AL	17960	Thread and Cord Cutter Actuating Slide Operating Disc Set Screw, for 39869

## NUMERICAL LIST OF PARTS

No.	Plate	Name
454C	17903	Knee Starting Rock Shaft Position Spring Adjusting Collar Set Screw, for 228338
454C	18220	Pulley (tight) Set Screw, for 249702
457E	17960	Feed Driving Gear (intermediate) Set Screw, for 249965
457AL	18229	Stop Cam Spring Stop Screw Block Set Screw, for 249713
458C	17960	Cord Rotating Tripping Cam Set Screw, for 262009
460AL	17960	Feed Hand Ratchet Wheel Set Screw, for 39924
460AL	17959	Thread Guiding Stud (side of arm) Set Screw
462AL	18220	Shuttle Driver Set Screw, for 23505
462AL	18232	Thread Retainer Stud Set Screw, for 39712
564C	18229	Starting Lever Screw Center, for 58384
591F	18200	Shuttle Tension Regulating Screw, for 40112
592E	18200	Shuttle Bobbin Case Latch Stop Screw, for 40112
625F	18246	Clamp Arm Adjusting Screw
641C	17957	Tension (side of arm) Releaser Lever Set Screw, for 40051
646F	17956	Feed Wheel Tripping Lever Screw Stud, for 249913
662D	18200	Shuttle Race Cap Screw, for 249929
673F	17958	Needle Bar Frame Screw Center
679C	17959	Tension (side of arm) Releaser Shaft Crank Ball Screw Stud
690E	17962	Clamp Lifting Arm Connection Guide Plate Screw
690D	17957	Clamp Lifting Arm Connection Lock Trip Lever Pinch Screw, for 249760
704E	17922	Barring Slide Stop Attaching Screw
704C	17957	Clamp Lifting Arm Connection Screw, for 249866
717C	18229	Starting Lever Adjusting Screw
717C	17957	Tension (side of arm) Releaser Lever Stop Screw
748E	17952	Arm Screw (back)
756E	17960	Belt Shifter Trip Point Screw, for 249869
756D	17955	Clamp Carrier Guide (left) Screw (long), for 39720
766D	17962	Sewing Safety Lock Pitman Hinge Screw (front)
771X	17904	Knife Grinder Knife Holder Thumb Screw, for 39898
793D	17904	Knife Grinder Knife Holding Spring Thumb Screw, for 39898
794E	17958	Needle Bar Connecting Link Adjusting Screw, for 23476
805C	17953	Knife Bar Driving Lever Spring Screw

## NUMERICAL LIST OF PARTS

No.	Plate	Name
858AL	18235	Belt Idler Pulley Shaft Oil Stop Screw, for 228326
858AL	18220	Needle Bar Crank Set Screw, for 23477
868E	17952	Arm Screw (front)
871C	17961	Cord Rotating Gear Slide Sleeve Slide Rod Connection Handle Screw
871C	18229	Stop Cam Spring Stop Screw
896E	18220	Crank Connecting Rod Cap Screw, for 24028
898C	17922	Barring Slide Stop Screw (adjustable)
904F	17958	Needle Set Screw, for 39857
906C	17954	Thread and Cord (upper) Cutting Blade Shaft Crank Set Screw, for 40050
907E	18200	Shuttle Race Back Spring Screw, for 249929
908C	18220	Crank Connecting Rod Hinge Screw
913C	18229	Stop Cam Interlocking Rod Spring Regulating Thumb Screw
914F	17955	Clamp Carrier Slide Guide Screw
914F	17962	Sewing Safety Lock Pitman Screw, for 249949
940F	17962	Clamp Lifting Arm Connection Lock Hinge Screw
940F	18232	Tension (top cover) Releasing Lever Connection Screw (front)
966D	17957	Tension (side of arm) Releaser Lever Shaft Bracket Screw
974F	18232	Tension (top cover) Releasing Lever Connection Screw (back)
996E	17957	Thread (lower) Cutting Lever Extension Spring Screw Stud
999F	18232	Tension (top cover) Releaser Holder Hinge Screw
1010F	13599	Thread Unwinder Spool Pin Cap Hinge Screw, for 259373
1019C	17959	Thread Guide (side of arm) (lower) Set Screw
1021E	17958	Needle Bar Connecting Link Cap Screw
1034F	18232	Intermittent Feed Wheel Driving Roller Oiling Felt Holder Screw
1035C	18220	Oscillating Shaft Crank Slide Block Screw Stud, for 24050
1036AL	18220	Thread Take-up Crank Position Screw, for 23477
1038C	17958	Needle Bar Frame Regulator Adjusting Screw
1042C	17958	Needle Bar Frame Pitman Hinge Screw
1043C	17959	Tension (side of arm) Screw Stud, for 249999
1064D	18235	Clamp Lifting Chain Guide Pulley Hinge Screw, for 236850
1065AL	18220	Needle Bar Crank Position Screw, for 23477
1069D	18220	Arm Shaft Screw
1070C	18229	Stop Cam Interlocking Rod Guide Set Screw, for 249709

## NUMERICAL LIST OF PARTS

No.	Plate	Name
1094F	17953	Knife Screw
1149AL	17922	Needle Bar Frame Driving Gear (intermediate) Stud Set Screw, for 249669
1200C	17961	Cord Rotating Gear Slide Sleeve Slide Rod Connection Hinge Screw
1230F	17955	Clamp Carrier Guide (right) Screw
1231F	18246	" " Plate Screw (back)
1232C	17956	" " Regulator Hinge Screw
1234C	17956	" " Slide Regulating Stud
1235F	17952	Bed Oil Guard Screw
1235F	17955	Clamp Plate Screw
1238F	17951	Guide Screw
1239D	17953	Knife Bar Connecting Link Hinge Cap Screw
1240C	17953	Knife Bar Connecting Link Hinge Screw
1241E	17961	Cord Rotating Gear Slide Connecting Spring Screw Eye (front)
1241E	17953	Knife Bar Disengaging Lever Catch Spring Screw Stud
1241E	17957	Tension (side of arm) Releaser Lever Spring Screw Stud
1241E	17961	Thread and Cord Cutter Actuating Slide Spring Screw Stud
1241E	17957	Thread (lower) Cutting Blade Carrier Lever Spring Screw Stud
1242E	17953	Knife Bar Disengaging Lever Screw Stud, for 249656
1242E	17953	Knife Bar Disengaging Lever Spring Screw, for 249658
1243C	17958	Knife Holder Guide Stud
1253C	18220	Oscillating Shaft Crank Set Screw, for 39658
1256D	17955	Clamp Carrier Slide Screw
1258AL	18220	Thread Take-up Crank Set Screw, for 23477
1294C	18246	Clamp Spring Bushing Position Stud
1297F	17954	" Check Screw
1319F	17953	Knife Bar Connecting Stud Clamping Screw, for 23462
1329D	17961	Cord Rotating Gear Gib Screw
1330C	17953	Barring Lever Spring Screw Stud
1341C	17958	Needle Bar Connecting Stud Set Screw, for 39601
1345D	17955	Clamp Carrier Guide (left) Screw (short), for 39720
1350C	17955	Thread (lower) Pull-off Finger Hinge Screw
1351C	17957	Thread (lower) Cutting Lever Ball Screw
1352C	17957	Tension (side of arm) Releaser Lever Lock Pin Screw Bushing
1387C	18232	Tension (top cover) Releaser Guide Screw Stud
1388C	18232	Tension (top cover) Screw Stud
1396E	17922	Intermittent Feed Wheel Driving Bevel Gear Bracket Screw

## NUMERICAL LIST OF PARTS

No.	Plate	Name
1428C	17953	Knife Bar Driving Lever Screw Stud
1449H	17962	Feed Hand Ratchet Lever Pawl Spring Screw, for 249914
1469J	18229	Tension (side of arm) Releaser Lever Stop Screw Stud
1507R	17903	Knee Starting Rock Shaft Knee Arm Lock Nut, for 228339
1508R	18229	Starting Lever Screw Center Nut, for 58384
1517J	17958	Needle Bar Frame Screw Center Nut
1518J	18229	Starting Lever Stop Screw Nut
1520J	17956	Clamp Carrier Regulator Roller and Screw Stud Nut, for 1960
1520J	17956	Clamp Carrier Slide Lever Roller and Screw Stud Nut, for 1960
1520J	17957	Clamp Lifting Arm Connection Hinge Screw Nut
1520E	17961	Cord Rotating Sector Hinge Screw Nut
1520J	18229	Starting Lever Adjusting Screw Nut
1520J	17957	Tension (side of arm) Releaser Lever Stop Screw Nut
1520J	17959	Tension (side of arm) Releaser Shaft Crank Ball Screw Stud Nut
1520J	17957	Thread (lower) Cutting Blade Carrier Lever Stop Screw Nut
1520J	17957	Thread (lower) Cutting Lever Ball Screw Nut
1521E	17961	Cord Rotating Gear Slide Sleeve Slide Rod Nut
1521E	18232	Tension (top cover) Releaser Guide Screw Stud Nut
1521E	17957	Thread (lower) Cutting Lever Extension Hinge Screw Nut
1521E	17957	Thread and Cord (upper) Cutting Blade Connecting Rod Latch Stud Nut
1547J	18246	Clamp Arm Adjusting Screw Nut
1547J	17959	Cord Rotating Sector Catch Stop Screw Nut
1547J	17953	Knife Bar Disengaging Lever Catch Hinge Screw Nut
1547J	17953	Knife Holder Screw Nut
1547J	17958	Needle Bar Frame Pitman Hinge Screw Nut
1550J	18246	Clamp Spring Bushing Position Stud Nut
1550J	17960	Thread and Cord Cutter Actuating Slide Operating Disc Stud Nut, for 262024
1560C	17959	Tension (side of arm) Regulating Thumb Nut, for 249999
1560C	18232	Tension (top cover) Regulating Thumb Nut
1562J	18236	Bobbin Winder Tension Regulating Thumb Nut, for 5989
1562J	17952	Cord Tension Thumb Nut
1607E	17922	Barring Slide Operating Plate Adjusting Screw Nut
1608C	17958	Knife Holder Guide Stud Nut

## NUMERICAL LIST OF PARTS

No.	Plate	Name
1619E	18220	Crank Connecting Rod Hinge Screw Nut
1620J	18236	Bobbin Winder Frame Hinge Screw Nut, for 249939
1620J	18236	Bobbin Winder Thread Leader Lock Nut, for 249697
1620E	17956	Feed Wheel Tripping Lever Hinge Screw Nut
1636E	18220	Oscillating Shaft Crank Slide Block Screw Stud Nut, for 39658
1638E	18229	Stop Cam Interlocking Rod Spring Regulating Thumb Screw Nut
1651J	17958	Needle Bar Frame Connection Hinge Screw Lock Nut
1658C	17956	Clamp Carrier Slide Regulating Stud Thumb Nut
1659C	18246	Clamp Pressure Regulating Thumb Nut
1664E	18232	Tension (top cover) Screw Stud Nut
1664E	18232	Thread Retainer Holder Nut, for 39714
1671C	17956	Clamp Carrier Regulator Stud Nut
1698C	17958	Needle Bar Frame Regulator Adjusting Screw Nut
1901	17957	Clamp Lifting Arm Connection Roller and Screw Stud with 229D and 12424
1959	17953	Knife Bar Driving Lever (intermediate) Roller and Screw Stud with 229D and 12424, for 249950
1960	17956	Clamp Carrier Regulator Roller and Screw Stud with 1520J, for 249960
1960	17956	Clamp Carrier Slide Lever Roller and Screw Stud with 1520J, for 249625
1963	17953	Knife Bar Disengaging Lever Catch Roller and Stud, for 249657
2102	17959	Tension (side of arm) Disc, for 249999
2103	18232	" (top cover) Spring
2117C	17957	" (side of arm) Releaser Lever Pin
2269	17962	Belt Shifter Shaft Guide Collar Position Pin
2269	18220	Shuttle Driver Pin
2269	17959	Tension (side of arm) Releaser Shaft, Crank Pin
2269	17954	Thread and Cord (upper) Cutting Blade Shaft Crank Pin, for 39916 and 39923
2273	17954	Thread and Cord (upper) Cutting Blade Connecting Rod Collar Pin
2455	18236	Bobbin Winder Tension Disc, for 5989
2455	17952	Cord Tension Disc
2523	18200	Shuttle Bobbin Case Position Finger Rivet, for 40112
2532	18200	Shuttle Race Back Position Pin, for 249929
2533	18200	Shuttle Race Back Spring, for 249929
2718R	18235	Treadle Extension Screw Washer, for 14376
2766	17903	Knee Starting Rock Shaft Knee Arm Hub with 356C, for 6336

## NUMERICAL LIST OF PARTS

No.	Plate	Name
2767	17903	Knee Starting Rock Shaft Knee Plate with 356C, for 6336
2770	17903	Knee Starting Rock Shaft Stop Dog with 140219C, for 228339
2973	18200	Shuttle Bobbin Case Latch Lever, for 15141
2974	18200	Shuttle Bobbin Case Latch Lever Fulcrum Pin, for 15141
2975	18200	Shuttle Bobbin Case Latch Spring, for 40112
3012	17960	Feed Hand Ratchet Wheel Pin
4784	18220	Oscillating Rock Shaft Oil Pad, for 39854
4784	17958	Thread Take-up Lever Oil Pad, for 39794
5989	18236	Bobbin Winder Tension complete, Nos. 418D, 1562J, 10141 and two 2455, for 249697
6335	17903	Knee Starting Rock Shaft Knee Arm, for 6336
6336	17903	Knee Starting Rock Shaft Knee Arm 6335 with 2766 and 2767, for 228339
6337	17903	Knee Starting Rock Shaft Connecting Rod Bracket with two 356C, for 228339
7070	17958	Needle Bar Frame Regulator Adjusting Screw Sleeve
7071	18236	Bobbin Winder Stop Latch Spring Screw Washer, for 249939
7071	17961	Cord Rotating Sector Adjustable Catch Notch Gib Screw Washer, for 39856
7071	17958	Needle Bar Frame Pitman Adjusting Screw Washer, for 23611
7071	17961	Thread and Cord Cutter Actuating Slide Spring Screw Stud Washer
7071	17954	Thread and Cord (upper) Cutting Blade Connecting Rod Latch Hinge Bracket Screw Washer
7278	17956	Clamp Carrier Slide Lever Socket Joint
7326	18200	Shuttle Race Cap, for 249929
8238	17959	Tension (side of arm) Spring, for 249999
8582	17952	Arm Dowel Pin
8582	18229	Starting Lever Bracket Dowel Pin
9525	17904	Knife Grinder Knife Holder Thumb Screw Washer, for 39898
10141	18236	Bobbin Winder Tension Spring, for 5989
10145	18236	" " " Thread Guide, for 249697
10249	18236	Bobbin Winder Stop Latch Spring, for 249939
10249	17904	Knife Grinder Knife Holder Slide Bracket Adjusting Screw Tension Spring, for 39898
11831	17951	Screw Driver (5 in. blade) (machine, large)
12166	17958	Thread Take-up Lever Hinge Pin, for 23525

## NUMERICAL LIST OF PARTS

No.	Plate	Name
12400	18232	Thread Retainer Sleeve, for 39714
12402	18232	" " Stud, for 39714
12424	17957	Clamp Lifting Arm Connection Roller Cap Screw Washer, for 1901
12424	17953	Knife Bar Driving Lever (intermediate) Roller Cap Screw Washer, for 1959
12424	18220	Oscillating Shaft Crank Slide Block Cap Screw Washer, for 24050
12538	17957	Tension (side of arm) Releaser Arm Pin
12546	17922	Intermittent Feed Wheel Position Pin, for 249946
12546	17922	Needle Vibrating Gear Position Pin
14010	18234	Bed Frame Hinge Plate Rivet, for 249993
		Nos. 14372 to 14375, for 14376
14372	18235	Treadle
14373	18235	" Extension
14374	18235	" Spring
14375	18235	" Stand
14376	18235	Treadle complete, Nos. 2718R, 14372 to 14375, 17881, 50581R and two wood screws 1-1/4 in., No. 12, F.H., for 228354 and 228355
15072	18236	Bobbin Winder Bobbin Position Pin, for 27538
15140	18200	Shuttle Bobbin Case Latch, for 15141
15141	18200	" " " Hinge, Nos. 2973, 2974 and 15140, for 40112
15278	18200	Shuttle Tension Spring, for 40112
16555	18234	Bed Frame Hinge Plate, for 249993
17881	18235	Treadle Shaft, for 14376
18859	17952	Cord Guide
19226	18234	Bed Frame Hinge Connection, for 19398
19397	18234	" " " " Cap, for 19398
19398	18234	Bed Frame Hinge Connection 19226 with 211E and 19397, for 249993
19448	18220	Oscillating Shaft Crank Slide Block, for 24050
21327	17903	Knee Starting Rock Shaft Hanger with two wood screws 1 in., No. 10, for 228339
21651	18229	Stop Cam Interlocking Rod Spring
21654	17951	Wrench
23580	18246	Clamp Arm Hinge Block Pin
23384	17956	" Carrier Connecting Rod
23389	17922	Intermittent Feed Wheel Driving Roller Cap Screw Washer, for 351872
23390	17957	Clamp Lifting Arm Connection Screw Washer, for 249866
23392	17955	Clamp Carrier Slide Guide (left)
23393	17955	" " " " (right)
23395	17956	" " " Lever Regulator
23396	17956	" " " " " Cap
23397	17956	" " " Regulating Stud
		Bushing

## NUMERICAL LIST OF PARTS

No.	Plate	Name
23421	18220	Oscillating Rock Shaft Hinge Pin Oil Hole Plug (leather), for 23494
23435	17956	Feed Wheel Tripping Lever Spring
23460	17953	Knife Bar
23461	17953	" " Connecting Link
23462	17953	" " Stud with 1319F
23466	17960	" " Disengaging Lever Catch Tripping Point, for 249869
23471	17953	Knife Bar Driving Lever (intermediate) Connecting Link
23476	17958	Needle Bar Connecting Link with 794E
23477	18220	" " Crank with 858AL, 1036AL, 1065AL and 1258AL
23494	18220	Oscillating Rock Shaft Hinge Pin with 2342L, for 39654
23500	18200	Shuttle Bobbin, for 40029
23505	18220	" Driver with 462AL
23511	18229	Starting Lever Rod
23519	17959	Tension (side of arm) Releaser with 200F
23523	17958	Thread Take-up Crank
23524	17958	" " Lever, for 23525
23525	17958	Thread Take-up Lever complete, Nos. 12166 23524 and 23543
23527	18234	Drip Pan with two wood screws 1/2 in., No. 5, R.H.B.
23535	17951	Wrench
23543	17958	Thread Take-up Lever Link, for 23525
23551	18235	Clamp Lifting Chain Screw Eye, for 228354 and 228355
23554	17957	Belt Shifter Shaft Bracket Spring
23574	18246	Clamp Post
23609	17958	Needle Bar Frame Pitman (regulator end), for 23611
23610	17958	Needle Bar Frame Pitman (hinge screw end), for 23611
23611	17958	Needle Bar Frame Pitman (adjustable) complete, Nos. 23609, 23610, two each 190C and 7071
23669	17959	Thread Guide (side of arm) (lower)
23681	17953	Knife Bar Driving Lever Spring
23693	18246	Clamp Spring Bushing
24028	18220	Crank Connecting Rod with 24085 and two 896E
24047	18220	Oscillating Shaft Bushing (front)
24050	18220	Oscillating Shaft Crank Slide Block complete, Nos. 226J, 1035C, 12424 and 19448, for 39658
*24081	-----	Arm Shaft Bushing (front), for 282001
*24085	-----	Crank Connecting Rod Cap, for 24028
24106	18234	Bed Frame Cushion (felt), for 249993
27538	18236	Bobbin Winder Spindle 27849 with 15072, 27850 and 41828, for 249939
27739	13599	Thread Cone (wood)
*27849	18236	Bobbin Winder Spindle, for 27538
*27850	18236	" " Collar, for 27538

## NUMERICAL LIST OF PARTS

No.	Plate	Name
27916	18236	Bobbin Winder Brake (leather), for 249714
27918	18236	Bobbin Winder Pulley, for 249939
27922	18236	" " Thread Eyelet Rod, for 249697
28084	18236	Bobbin Winder Brake Rivet, for 249714
32012	18232	Tension (top cover) Disc
32572	18232	" " Releasing Disc
39504	17958	Needle Bar Frame Regulator Adjusting Screw Washer
39514	18246	Clamp Spring
39532	17956	" Carrier Regulator Stud Sleeve
39539	17954	" Arm
39541	18246	" " Bracket Screw Washer
39541	17957	" Lifting Arm Connection Roller and Screw Stud Bracket Screw Washer
39541	17953	Knife Screw Washer
39541	17962	Sewing Safety Lock Pitman Screw Washer, for 249949
39541	17957	Thread and Cord (upper) Cutting Blade Connecting Rod Latch Lifting Lever Screw Washer
39571	18235	Clamp Lifting Chain Guide Pulley, for 236850
39575	18235	Clamp Lifting Chain Hook (large), for 228329 and 228330
39575	17903	Knee Starting Rock Shaft Connection Hook (large), for 228335
39575	18235	Starting Chain Hook (large), for 228349
39576	18235	Clamp Lifting Chain Hook (small), for 228329 and 228330
39576	17903	Knee Starting Rock Shaft Connection Hook (small), for 228335
39576	18235	Starting Chain Hook (small), for 228349
39583	17956	Clamp Carrier Regulator Stud Stop, for 249960
39591	17955	Clamp Carrier Guide (left), for 39720
39601	17958	Needle Bar Connecting Stud with 1341C
39620	18232	Arm Side Cover
39623	18200	Shuttle Bobbin Case Position Finger, for 40112
39633	18232	Tension (top cover) Releasing Lever
39635	18232	" " " " Pin
39636	18232	" " " " Thread Eyelet (double)
39645	17955	Clamp Carrier Guide (right)
39652	17959	Thread Take-up Spring, for 249999
39653	18220	Oscillating Rock Shaft, for 39654
39654	18220	Oscillating Rock Shaft complete, Nos. 4784, 23494 and 39653
39655	18220	Oscillating Shaft
39656	18220	" " Bushing (back)
39657	18220	" " Crank, for 39658
39658	18220	Oscillating Shaft Crank complete, Nos. 1636E, 24050, 39657 and two 1253C



## KNIFE GRINDER

No.	Plate	Name
39886	17904	Emery Wheel, 4 in. diameter
39887	17904	" " Driving Shaft
201510D	17904	" " " " Nut
204101	17904	" " " " Washer
39888	17904	" " " " Oil Hole Cover
350068E	17904	" " " " " " " "
		Screw
206963	17904	Emery Wheel Driving Shaft Pulley with two 200403C
200403C	17904	Emery Wheel Driving Shaft Pulley Set Screw
206969	17904	Emery Wheel Washer (paper)
39889	17904	Knife Grinder Frame
39890	17904	" Holder (adjustable)
57C	17904	" " Hinge Screw
39891	17904	" " Indicator
203094	17904	" " Position Pin
200165H	17904	" " " Screw
39892	17904	" " Slide Bracket with 200386C
2012980	17904	" " " Adjusting
		Screw
39893	17904	Knife Holder Slide Bracket Adjusting Screw Slide Plate
200577AL	17904	Knife Holder Slide Bracket Adjusting Screw Slide Plate Screw
10249	17904	Knife Holder Slide Bracket Adjusting Screw Tension Spring
219F	17904	Knife Holder Slide Bracket Adjusting Screw Tension Spring Screw
200386C	17904	Knife Holder Slide Bracket Set Screw
39894	17904	" " " " Shaft
206232	17904	" " " " " Collar with 201052C
201052C	17904	Knife Holder Slide Bracket Shaft Collar Set Screw
771X	17904	Knife Holder Thumb Screw
9525	17904	" " " " Washer
39895	17904	" Holding Spring
39896	17904	" " " Bracket
204264	17904	" " " " Position Pin
176D	17904	" " " " Screw
204264	17904	" " " " Position Pin
793D	17904	" " " " Thumb Screw
39897	17904	" Stop (adjustable)
208AL	17904	" " Screw

## NUMERICAL LIST OF PARTS

No.	Plate	Name
39857	17958	Needle Bar with 904F
39858	17954	Thread and Cord (upper) Cutting Blade, for 39916 and 39923
39859	13598	Thread and Cord (upper) Cutting Blade Connecting Rod
39861	17954	Thread and Cord (upper) Cutting Blade Connecting Rod Latch Hinge Bracket
39862	17954	Thread and Cord (upper) Cutting Blade Connecting Rod Latch Spring
39863	17954	Thread and Cord (upper) Cutting Blade Connecting Rod Spring
39864	17954	Thread and Cord (upper) Cutting Blade Connecting Rod Spring Bracket Plate
39865	17954	Thread and Cord (upper) Cutting Blade Connecting Rod Spring Collar with 201288D
39866	17954	Thread and Cord (upper) Cutting Blade Shaft, for 39916 and 39923
39867	17954	Thread and Cord (upper) Clamping Blade, for 39916 and 39923
39869	17960	Thread and Cord Cutter Actuating Slide Operating Disc with 450C and 453AL
39880	17961	Thread and Cord Cutter Actuating Slide Spring
39882	17962	Belt Shifter Stop Washer (rawhide)
39882	17961	Thread and Cord Cutter Actuating Slide Support Washer (rawhide)
		Nos. 39886 to 39897, for 39898
39886	17904	Knife Grinder Emery Wheel, 4 in. diameter
39887	17904	Knife Grinder Emery Wheel Driving Shaft
39888	17904	Knife Grinder Emery Wheel Driving Shaft Oil Hole Cover
39889	17904	Knife Grinder Frame
39890	17904	" " Knife Holder (adjustable)
39891	17904	Knife Grinder Knife Holder Indicator
39892	17904	" " " " Slide Bracket with 200386C
39893	17904	Knife Grinder Knife Holder Slide Bracket Adjusting Screw Slide Plate
39894	17904	Knife Grinder Knife Holder Slide Bracket Shaft
39895	17904	Knife Grinder Knife Holding Spring
39896	17904	" " " " " "
		Bracket
39897	17904	Knife Grinder Knife Stop (adjustable)
39898	17904	Knife Grinder complete, Nos. 57C, 176D, 208AL, 219F, 771X, 793D, 9525, 10249, 39886 to 39897, 200165H, 201298C, 201510D, 203094, 204101, 206963, 350068E, two each 200577AL, 204264, 206232, 206969 and three wood screws 1-1/4 in., No. 12

23324-4

## NUMERICAL LIST OF PARTS

No.	Plate	Name
39899	17961	Cord Leading Bracket
39903	17954	Thread and Cord (upper) Cutting Blade Connecting Rod Spring Bracket
39905	17961	Cord Leading Finger complete, Nos. 39852 to 39854 and 350067E
39907	17953	Knife, 1-1/4 inch
39912	18234	Splash Guard Hinge, for 249723
39914	17954	Clamp Check with 39915, 50354E and two 237X, for 39916
39915	17954	Clamp Check Section and Cutting Plate, for 39914 and 39922
39916	17954	Clamp Check complete, for 3/8 to 3/4 in. buttonhole, Nos. 219F, 2269, 39858, 39866, 39867, 39914 and 40050
39917	17954	Thread and Cord (upper) Cutting Blade Connecting Rod
39922	13598	Clamp Check with 39915, 50354E and two 237X, for 39923
39923	13598	Clamp Check complete, for 13/16 to 1-1/4 in. buttonholes, Nos. 219F, 2269, 39858, 39866, 39867, 39922 and 40050
39924	17960	Feed Hand Ratchet Wheel with 460AL
39950	17959	Thread Take-up Spring Regulator with 350060C, for 249999
39969	18200	Shuttle Race Back, for 249929
39985	17961	Thread and Cord Cutter Actuating Slide Support
39988	18229	Stop Cam Interlocking Rod Guide Washer (rawhide)
40003	18246	Clamp Arm Bracket Guide (left)
40004	18246	" " " " (right)
40006	17956	" Carrier Block with 40007 and four 404D
40007	17956	Clamp Carrier Block Plate, for 40006
40013	17951	Guide
40016	17957	Clamp Lifting Arm Connection Roller and Screw Stud Bracket
40020	18246	Clamp Plate
40025	17960	Feed Driving Gear Position Pin
40025	18220	Intermittent Feed Wheel Driving Bevel Pinion Position Pin
40025	18220	Pulley (tight) Pin
40028	18200	Shuttle Body, for 40029
40029	18200	" 1-11/16 in. diam., Nos. 23500, 40112 and 40028
40033	17957	Tension (side of arm) Releaser Arm with 50128E
40035	17955	Thread (lower) Cutting Blade
40036	17955	" " " " Carrier with 40038
40037	17957	Thread (lower) Cutting Blade Carrier Lever
40038	17955	Thread (lower) Cutting Blade Carrier Stud, for 40036

## NUMERICAL LIST OF PARTS

No.	Plate	Name
40043	17953	Tension (top cover) Releaser Rod " Collar with 209AL
40044	17954	Thread and Cord (upper) Cutting Blade Connecting Rod Collar with 237X
40045	17954	Thread and Cord (upper) Cutting Blade Connecting Rod Collar Washer (raw- hide)
40050	17954	Thread and Cord (upper) Cutting Blade Shaft Crank with 906C, for 39916 and 39923
40051	17957	Tension (side of arm) Releaser Lever with 641C
40052	17957	Tension (side of arm) Releaser Lever Lock Pin
40053	17957	Tension (side of arm) Releaser Lever Lock Pin Spring
40067	17957	Tension (side of arm) Releaser Lever Shaft Bracket
40112	18200	Shuttle Bobbin Case complete, Nos. 591F, 592E, 2523, 2975, 15141, 15278 and 39623, for 40029
40133	17960	Feed Driving Gear (intermediate) for swing bracket Screw Washer
40141	17960	Feed Driving Gear (intermediate) (large) for stud
40142	17962	Feed Driving Gear (intermediate) Bracket Position Lever, for 249913
40144	17962	Stitch Regulating Gear Disengaging Slide, for 249913
40145	17962	Stitch Regulating Gear Disengaging Slide Bracket, for 249913
40146	17960	Stitch Regulating Gear Guard
41828	18236	Bobbin Winder Spindle Collar Pin, for 27538
50128E	17957	Tension (side of arm) Releaser Arm Set Screw, for 40033
50167D	17952	Cord Tension Screw Stud
50354E	17954	Clamp Check Section and Cutting Plate Support Stud (short), for 39914 and 39922
50356D	18236	Bobbin Winder Frame Hinge Screw, for 249939
50416C	17953	Knife Bar Disengaging Lever Catch Hinge Screw
50416C	17956	Stop Lever Hinge Screw, for 249913
50581R	18235	Treadle Extension Screw, for 14376
50615D	17953	Knife Bar Stop Retainer Plate Screw
51047E	17962	Belt Shifter Shaft Bracket Extension Pinch Screw, for 249858
58384	18229	Starting Lever Screw Center 564C with 1508R
60913	13599	Spool Weight with 60914
60914	13599	" " Center Pin, for 60913
120346	17951	Oiler (copper plated) with 120347
120347	17951	" Spout, 8-1/2 in. long, for 120346
126910	18235	Belt Idler Pulley Bracket Shaft, for 228328

## NUMERICAL LIST OF PARTS

No.	Plate	Name
140219C	17903	Knee Starting Rock Shaft Stop Dog Set Screw, for 2770
150203	13599	Thread Unwinder Spool Rest Cushion (felt), for 259377 Nos. 150481 to 150485, for 150496
150481	18234	Idler Pulley
150482	18234	" " Shaft
150483	18234	" " " Ball Bearing
150484	18234	" " " " Cover
150485	18234	" " " " " "
		Gasket (cork)
150496	18234	Idler Pulley and Shaft complete, Nos. 144D, 150481 to 150485 and four 330R, for 249992
150668	17903	Knee Starting Rock Shaft Knee Plate Pad (rubber), for 228339
200068H	17922	Needle Bar Frame Driving Gear Screw
200083D	18229	Stop Cam Spring Cover Screw
200137H	17951	Gauge Chain and Ring Screw, for 262026
200165H	17904	Knife Grinder Knife Holder Indicator Screw, for 39898
200363C	18234	Idler Pulley Bracket Set Screw, for 249991
200383C	13599	Thread Unwinder Spool Rest Rod Set Screw, for 259658
200386C	17904	Knife Grinder Knife Holder Slide Bracket Set Screw, for 39892
200403C	17904	Knife Grinder Emery Wheel Driving Shaft Pulley Set Screw, for 206963
200522C	18229	Stop Cam Gear Stud Set Screw
200574E	18234	Splash Guard Hinge Screw, for 249723
200577AL	17904	Knife Grinder Knife Holder Slide Bracket Adjusting Screw Slide Plate Screw, for 39898
200584D	18220	Pulley (loose) Grease Retaining Screw, for 249890
201007C	18234	Idler Pulley Shaft Set Screw, for 249991
201018C	13599	Thread Unwinder Spool Rest Set Screw, for 259374 and 259375
201052C	17904	Knife Grinder Knife Holder Slide Bracket Shaft Collar Set Screw, for 206232
201288D	17954	Thread and Cord (upper) Cutting Blade Connecting Rod Spring Collar Set Screw, for 39865
201289C	17954	Thread and Cord (upper) Cutting Blade Connecting Rod Latch Hinge Screw
201291B	17954	Thread and Cord (upper) Cutting Blade Connecting Rod Spring Bracket Screw
201295E	17962	Clamp Lifting Arm Connection Lock Spring Screw Stud
201296D	17954	Thread and Cord (upper) Cutting Blade Connecting Rod Latch Hinge Bracket Screw

## NUMERICAL LIST OF PARTS

No.	Plate	Name
201298C	17904	Knife Grinder Knife Holder Slide -Bracket Adjusting Screw, for 39898
201321C	17961	Cord Rotating Sector Adjustable Catch Notch Gib Screw, for 39856
201510E	17953	Knife Bar Driving Lever (intermediate) Hinge Screw Stud Nut
201510D	17904	Knife Grinder Emery Wheel Driving Shaft Nut, for 39898
201655H	18234	Splash Guard Locking Screw Wing Nut, for 249722
201668E	17960	Feed Wheel Clamping Nut
201696H	13599	Thread Unwinder Thread Guide Lock Nut, for 259377
201713C	17922	Barring Shaft Adjusting Lock Nut
201715C	17922	Needle Bar Frame Driving Gear (intermediate) Clamping Nut
201721C	17922	Stitch Regulating Gear Guide and Lock Nut, for 249913
201732C	17953	Knife Bar Driving Lever Screw Stud Nut
201891	17922	Intermittent Feed Wheel Driving Roller, for 351872
202005	18229	Starting Lever Spring Washer
202260	18220	Arm Shaft Bushing Oil Packing (wick)
202330	18229	Stop Cam Oil Packing (wick), for 249705
202423	18220	Crank Connecting Rod Hinge Screw Oiling Wick
203094	17904	Knife Grinder Knife Holder Indicator Position Pin, for 39898
203100	18235	Belt Idler Pulley Shaft Oil Packing (wick), for 228326
204101	17904	Knife Grinder Emery Wheel Driving Shaft Nut Washer, for 39898
204264	17904	Knife Grinder Knife Holding Spring Bracket Position Pin, for 39898
204264	17904	Knife Grinder Knife Holding Spring Position Pin, for 39898
205634	17953	Knife Bar Driving Lever (intermediate) Hinge Screw Stud Washer
206232	17904	Knife Grinder Knife Holder Slide Bracket Shaft Collar with 201052C, for 39898
206482	17960	Barring Plate Screw Washer
206963	17904	Knife Grinder Emery Wheel Driving Shaft Pulley with two 200403C, for 39898
206969	17904	Knife Grinder Emery Wheel Washer (paper), for 39898
213949	17961	Cord Rotating Sector Hinge Screw Washer
222598	17958	Thread Take-up Lever Link Hinge Pin Oil Packing (wick), for 249915
222616	18229	Starting Lever Spring
225322	13599	Thread Unwinder Thread Guide Rod Washer, for 225324

## NUMERICAL LIST OF PARTS

No.	Plate	Name
225324	13599	Thread Unwinder Thread Guide Rod with 208AL and 225322, for 259377
225326	13599	Thread Unwinder Thread Guide Position Cup, for 259377
225377	13599	Spool Wire, for small spools
225388	13599	Thread Unwinder Spool Rest Rod, for 259377
225390	13599	Thread Cone Holder
225391	13599	" Unwinder Thread Guide, for 259377
228320	18235	Bed Frame Cushion (felt), for 228354 and 228355
228321	18235	Belt Idler Belt Guide with 361C, for 228328
228323	18235	Belt Idler Pulley Bracket with three 355C, for 228328
228324	18235	Belt Idler Pulley Bracket Shaft Hanger with two 355C and three wood screws 1 in., No.12, for 228328
228326	18235	Belt Idler Pulley Shaft with 858AL and 203100, for 228328
228327	18235	Belt Idler Pulley Washer (rawhide), for 228328
228328	18235	Belt Idler complete, Nos.126910, 228324, two each 228321, 228323, 228326, 228423, four 228327 and Form All27, for 228354 and 228355
228329	17903	Nos. 228329 to 228331, for 228355 Clamp Lifting Chain, 34 in. long, with 39575 and 39576 (for left hand machine)
228330	18235	Clamp Lifting Chain, 46 in. long with 39575 and 39576 (for right hand machine), also for 228354
228331	17903	Front Plank Extension with two wood screws 2-1/2 in. No.14
228332	17903	Knee Starting Rock Shaft Connecting Rod, for 228339
228333	17903	Knee Starting Rock Shaft Connection Cushion Spring, for 228335
228333	18235	Starting Chain Cushion Spring, for 228349
228334	17903	Knee Starting Rock Shaft Connection Spring, for 228335
228335	17903	Knee Starting Rock Shaft Connection complete, Nos. 39575, 39576, 228333 and 228334, for 228339
228337	17903	Knee Starting Rock Shaft Position Spring, for 228339
228338	17903	Knee Starting Rock Shaft Position Spring Adjusting Collar with 454C, for 228339
228339	17903	Knee Starting Rock Shaft complete, Nos. 1507R, 2770, 6336, 6337, 39810, 150668, 228332, 228335, 228337, 228338 and two 21327, for 228355

## NUMERICAL LIST OF PARTS

No.	Plate	Name
228347	18235	Starting Chain (lower), 10-1/2 in. long, for 228349
228348	18235	Starting Chain (upper), 22 in. long, for 228349
228349	18235	Starting Chain complete, Nos. 228333, 228347, 228348, two each 39575 and 39576, for 228354
228354	18235	Driving Equipment less shaft pulley complete, Nos. 228328, 228330, 228349, 234344, 250408, two each 14376, 23551, four each 228320 and 236850
228355	17903	Driving Equipment less shaft pulley, for machines set in pairs, complete, Nos. 228329 to 228331, 250408, two each 14376, 23551, 228328, 228339, 236850, eight 228320 and two blue prints
228423	18235	Belt Idler Pulley, for 228328
232065	17962	Clamp Lifting Arm Connection Lock Spring
232131	17960	Feed Driving Gear (intermediate) Swing Bracket Sore Washer
232131	17961	Thread and Cord Cutter Actuating Slide Block Screw Washer
232382	17962	Feed Hand Ratchet Lever Pawl Spring Pin, for 249907
232719	17960	Feed Driving Gear (intermediate) Position Pin
232982	18235	Machine Rest Cushion (leather), for 250408
234344	18235	Front Plank Extension (front) with two wood screws 2-1/4 in., No.12 and three wood screws 1-3/4 in., No.12, for 228354
235356	17922	Needle Bar Frame Driving Gear (intermediate) Pin, for 249671
236849	18235	Clamp Lifting Chain Guide Pulley Bracket, for 236850
236850	18235	Clamp Lifting Chain Guide Pulley Bracket complete, Nos. 1064D, 39571, 236849 and two wood screws 1-1/4 in., No.12, R.H.B., for 228354 and 228355
238089	17953	Knife Bar Disengaging Lever Catch Bracket Position Pin, for 249658
241206	18220	Arm Oil Cup
249534	17957	Thread (lower) Cutting Blade Carrier Lever Spring
249544	17953	Knife Bar Stop
249545	17953	" " " Retainer Plate
249546	18200	Shuttle Bobbin Case Position Plate, for 249929
249602	18220	Arm Shaft
249604	18232	" Top Cover (left)
249605	18232	" " " (right)
249606	17953	Barring Lever

## NUMERICAL LIST OF PARTS

No.	Plate	Name
249607	17953	Barring Lever Spring
249610	17953	" " Point
249611	17922	" " Shaft with 452C
249612	18232	" " Guard
249613	17922	" " Slide
249614	17922	" " Operating Plate (stationary)
249615	17922	Barring Slide Operating Rod
249616	17953	" " " " Stud
249619	17922	" " Stop
*249620	-----	Bed
249622	18220	Arm Shaft Flanged Bushing (back)
249625	17956	Clamp Carrier Slide Lever with 1960
249640	17956	Feed Wheel Tripping Lever
249641	17956	" " Point, for 262011
*249642	17922	Intermittent Feed Wheel with two 350249E, for 249946
*249644	17922	Intermittent Feed Wheel Driving Bevel Gear Bracket, for 249944
249645	18220	Intermittent Feed Wheel Driving Bevel Pinion with two 453AL
*249646	17922	Intermittent Feed Wheel Shaft, for 249946
249656	17953	Knife Bar Disengaging Lever with 1242E
249657	17953	Knife Bar Disengaging Lever Catch with 1963
249658	17953	Knife Bar Disengaging Lever Catch Bracket with 1242E and 238089
249659	17953	Knife Bar Disengaging Lever Catch Spring
249660	17953	Knife Bar Disengaging Lever Spring
249661	17953	" " Driving Lever
249662	17953	" " " " (intermediate)
249666	17958	Needle Bar Frame Connection
249667	17922	" " " Driving Gear
249668	17958	" " " Regulator Hinge Stud
249669	17922	" " " Driving Gear (intermediate) Bracket with 1149AL
249670	17922	Needle Bar Frame Driving Gear (intermediate) Stud
249671	17922	Needle Bar Frame Driving Gear (intermediate) (large) with 235356
249672	17922	Needle Bar Frame Driving Gear (intermediate) (small)
249673	17958	Needle Bar Frame Regulator
*249674	17922	" Vibrating Gear with two 350249E, for 249946
249675	17922	Stitch Regulating Gear, 18 teeth
249677	17922	" " " 20 teeth
249679	17922	" " " 24 teeth
249682	17922	" " " 30 teeth
249685	18232	Tension (top cover) Releaser
249686	18232	" " " " Holder with 201F
249687	17953	Tension (top cover) Releaser Rod

## NUMERICAL LIST OF PARTS

No.	Plate	Name
249688	18232	Tension (top cover) Releasing Lever Connection
249693	18236	Bobbin Winder Thread Leader, for 249697
249696	18236	Bobbin Winder Tension Bracket with 452C, for 249697
249697	18236	Bobbin Winder Tension Bracket complete, Nos. 1620J, 5989, 10145, 27922, 249693 and 249696
249702	18220	Pulley (tight) with 454C
249703	18229	Starting Lever
249704	18229	" " Bracket
249705	18229	Stop Cam with two 202330
249706	18229	" " Gear
249707	18229	" " " Guard
249708	18229	" " " Stud
249709	18229	" " Interlocking Rod Guide with 1070C, for 249950
249713	18229	Stop Cam Spring Stop Screw Block with 457AL
249714	18236	Nos. 249714 to 249716, for 249939 Bobbin Winder Base with 27916 and two 28084
249715	18236	Bobbin Winder Frame
249716	18236	" " " Spring
249722	18234	Splash Guard with 201655E, for 249723
249723	18234	Bed Frame and Splash Guard complete, Nos. 249722, 249993, two 39912 and eight 200574E
249725	17922	Stitch Regulating Gear, 36 teeth
249727	17922	" " " 40 teeth
249737	17953	Knife Bar Spring
249739	17922	Stitch Regulating Gear Pin
249740	17922	Barring Slide Operating Plate (adjustable)
249741	18229	Stop Cam Interlocking Rod
249742	18229	" " Spring
249744	17922	Stitch Regulating Gear, 45 teeth
249746	17951	Screw Driver, for Needle Bar Connecting Stud Set Screw
249759	17957	Clamp Lifting Arm Connection (lower section), for 249866
249760	17957	Clamp Lifting Arm Connection Lock Trip Lever with 690D
249785	17960	Thread and Cord Cutter Actuating Slide Operating Disc Adjusting Sleeve Spring
249789	17951	Gauge Chain and Ring, for 262026
249800	17953	Tension (top cover) Releaser Rod Spring
249804	17960	Barring Plate
249820	17951	Wrench
249831	17957	Thread (lower) Cutting Lever
249845	17957	Tension (side of arm) Releaser Lever Spring

## NUMERICAL LIST OF PARTS

No.	Plate	Name
249844	17960	Feed Driving Gear (intermediate) Pinion Shaft Eccentric Bushing Position Plate
249845	17955	Thread (lower) Pull-off Finger
249846	17960	Feed Driving Gear with two 448AL
249849	17960	" " " (intermediate) Pinion Shaft Eccentric Bushing
249853	17962	Belt Shifter with 350287C
249854	17962	" " Operating Collar with 350329C
249855	18229	Belt Shifter Operating Rod
249856	17962	" " Shaft
249857	17962	" " " Bracket
249858	17962	" " " Extension with 51047E
249860	17962	Belt Shifter Shaft Bracket Stop
249861	17962	" " " Guide Collar with 237X
249862	17962	Belt Shifter Shaft Spring
249863	17960	" " Trip Point, for 249869
249864	17962	" " Stud
249865	17957	Clamp Lifting Arm Connection (upper section), for 249866
249866	17957	Clamp Lifting Arm Connection complete, Nos. 704C, 23390, 249759 and 249865
249867	17962	Clamp Lifting Arm Connection Lock
249868	17956	Feed Wheel Tripping Lever Point
249869	17960	Knife Bar Disengaging Lever Catch Tripping Point Collar with 175E, 756E, 23466, 249863 and two 448AL
249871	17957	Thread (lower) Cutting Lever Extension
249880	17957	Tension (side of arm) Releaser Lever Shaft
249883	17952	Bed Oil Guard Oil Tube (brass), for 252002 Nos. 249890 to 249892, for 249893
*249890	-----	Pulley (loose) with 200584D
249891	18220	" " Ball Bearing
249892	18220	" " Bushing
249893	18220	Pulley (loose) (ball bearing) complete, Nos. 249890 to 249892
249895	17952	Clamp Carrier Regulator Slide Nos. 249905 to 249907, for 249914
249905	17962	Feed Hand Ratchet Lever
249906	17962	" " " Extension Handle
249907	17962	Feed Hand Ratchet Lever Pawl with 252382
249912	17922	Stitch Regulating Gear Spring, for 249913
249913	-----	Feed Hand Ratchet Device complete, Nos. 95C, 158E, 646F, 40142, 40144, 40145, 50416C, 201721C, 249912, 249914, 249922, 249923, 250444, 350329C, 350337C and two 99C

## NUMERICAL LIST OF PARTS

No.	Plate	Name
249914	17962	Feed Hand Ratchet Lever complete, Nos. 90D, 160H, 1449H, 249905 to 249907 and 250058, for 249913
249915	17958	Thread Take-up Lever Link Hinge Pin with 222598
249916	17957	Thread (lower) Cutting Lever Extension Spring
249922	17956	Stop Lever, for 249913
249923	17962	Stitch Regulating Gear Disengaging Lever, for 249913
249924	18200	Shuttle Race, for 249929
249926	18200	Nos. 249926 to 249928, for 249929 Shuttle Race Plate
249927	18200	" " Position Pin
249928	18200	" " Oil Packing (felt)
249929	18200	Shuttle Race complete, Nos. 907E, 2533, 7326, 39969, 249546, 249924, 249926, two each 399D, 662D, 2532, 249927, 249928 and three 203E
249930	17957	Thread and Cord (upper) Cutting Blade Connecting Rod Latch Lifting Lever
249931	18220	Oscillating Shaft Bushing (front) Oil Tube (brass)
249932	18220	Oscillating Shaft Bushing (front) Oil Tube Support Plate
249933	18220	Crank Connecting Rod Hinge Screw Oil Tube (brass)
249934	18232	Intermittent Feed Wheel Driving Roller Oiling Felt
249935	18232	Intermittent Feed Wheel Driving Roller Oiling Felt Holder
*249936	17922	Intermittent Feed Wheel Driving Bevel Gear with two 351872, for 249944
249937	17922	Intermittent Feed Wheel Driving Roller Stud, for 351872
249938	18236	Bobbin Winder Stop Latch, for 249939
249939	18236	Bobbin Winder complete, Nos. 35D, 203E, 1620J, 7071, 10249, 27538, 27918, 50356D, 249714 to 249716 and 249938
249943	18229	Stop Cam Spring Cover
249944	17922	Intermittent Feed Wheel Driving Bevel Gear Bracket 249644 with 249936 and 350230C
249945	17951	Wrench
249946	17922	Intermittent Feed Wheel Shaft 249646 with 249642, 249674 and two 12546
249947	17962	Sewing Safety Lock Pitman (front section), for 249949
249948	17962	Sewing Safety Lock Pitman (rear section), for 249949
249949	17962	Sewing Safety Lock Pitman complete, Nos. 249947, 249948, two each 914F and 39541
249950	-----	Stop Cam Interlocking Rod Guide 249709 with 1959

## NUMERICAL LIST OF PARTS

No.	Plate	Name
249955	18246	Clamp Arm Bracket with 196F
249956	18246	" " Hinge Block
249957	17955	" " Carrier
249958	18246	" " Guard
249959	18246	" " Plate
249960	17956	" " Regulator with 240D, 1960 and 39583
249963	17962	Clamp Lifting Arm Connection Lock Stop Plate
249964	18246	Clamp Plate Support
249965	17960	Feed Driving Gear (intermediate) with two 457E
249967	17960	Feed Driving Gear (intermediate) (small) for stud
249968	17960	Feed Driving Gear (intermediate) for swing bracket
249969	17960	Feed Driving Gear (intermediate) Bracket
249970	17960	Feed Driving Gear (intermediate) Pinion Shaft
249971	17960	Feed Driving Gear (intermediate) Stud
249972	17960	Feed Driving Gear (intermediate) Swing Bracket
249979	17957	Thread (upper) Cutting Lock (lower section), for 249981
249980	17957	Thread (upper) Cutting Lock (upper section), for 249981
249981	17957	Thread (upper) Cutting Lock comp- lete, Nos. 249979, 249980 and two 203E
249991	18234	Idler Pulley Bracket with 200363C, 201007C and 350453C, for 249992
249992	18234	Idler Pulley Bracket complete, Nos. 150496 and 249991
249993	18234	Bed Frame with two each 16555, 19398, four each 84E, 24106, six 14010, and four wood screws 1-1/4 in., No. 12, for 249723
249995	17960	Feed Driving Gear (intermediate) Pinion Shaft Collar with two 350462E
249998	17953	Starting Lever Safety
249999	17959	Tension (side of arm) complete, Nos. 1043C, 1560C, 823B, 39652, 39950 and two 2102
250058	17962	Feed Hand Ratchet Lever Pawl Spring, for 249914
250397	17922	Needle Bar Frame Driving Gear (inter- mediate) Bracket Position Pin
250408	18235	Machine Rest (high) with 232982 and two wood screws 1 in., No. 12, for 228354 and 228355
250444	17956	Feed Wheel Tripping Lever Screw Stud Washer, for 249913

## NUMERICAL LIST OF PARTS

No.	Plate	Name
250451	18220	Oscillating Shaft Bushing (front) Oil Tube Plate
250491	17957	Thread and Cord (upper) Cutting Blade Connecting Rod Latch Lifting Lever Adjusting Plate Screw Washer
250522	17951	Screw Driver (for needle set screw)
255513	17951	Tweezers
255540	17951	Wrench
255541	17951	"
		Nos. 259370 to 259372, for 259373
259370	13599	Thread Unwinder Spool Pin
259371	13599	" " " " Cap (Bake- lite)
259372	13599	Thread Unwinder Spool Pin Washer
259373	13599	Thread Unwinder Spool Pin complete, Nos. 1010F and 259370 to 259372, for 259377
259374	13599	Thread Unwinder Spool Rest (for one spool) (flat) with 201018C, for 259377
259375	13599	Thread Unwinder Spool Rest (for two spools) (flat) with 201018C, for 259377
259377	13599	Thread Unwinder (for three spools) complete, Nos. 201696H, 225324, 225326, 225388, 259374, 259375, 259658, three each 150203, 225391, 259373 and wood screws 7/8 in., No. 12
259477	17951	Screw Driver
259658	13599	Thread Unwinder Spool Stand with 200383C, for 259377
*262001	-----	Arm with 24081
262002	17952	Bed Oil Guard with 249883
262003	17962	Clamp Lifting Arm Connection Guide Plate
262004	17961	Cord Rotating Gear Slide Connecting Spring Plate
262005	17961	Cord Rotating Gear Slide Extension
262006	17961	" " " " Sleeve
262007	17961	" " " " " Slide Rod
262008	17961	Cord Rotating Gear Slide Sleeve Slide Rod Connection
262009	17960	Cord Rotating Tripping Cam with two 456C
262010	17952	Face Plate
262011	17956	Feed Wheel with 249641 and two 220D
262013	17955	Needle Plate
262014	17962	Sewing Safety Lock
262015	17955	Thread (lower) Cutting Blade Friction Plate
262017	17954	Thread and Cord (upper) Cutting Blade Connecting Rod Latch

## NUMERICAL LIST OF PARTS

No.	Plate	Name
262020	17957	Thread and Cord (upper) Cutting Blade Connecting Rod Latch Stud
262021	17957	Thread and Cord (upper) Cutting Blade Connecting Rod Latch Stud Support
262022	17961	Thread and Cord Cutter Actuating Slide
262023	17961	Thread and Cord Cutter Actuating Slide Block
262024	17960	Thread and Cord Cutter Actuating Slide Operating Disc Adjusting Sleeve with 1550J and 350343C
262025	17961	Thread and Cord Cutter Actuating Slide Stud
262026	17951	Gauge, for 3/8 to 1-1/4 in., for setting length of buttonhole, with 200137H and 249789
262028	17957	Thread and Cord (upper) Cutting Blade Connecting Rod Latch Lifting Lever Adjusting Plate
262029	17960	Feed Wheel Shaft
262030	17957	Thread and Cord (upper) Cutting Blade Connecting Rod Latch Stud Support Spring
3500600	17959	Tension (side of arm) Screw Stud Set Screw, for 39950
350067E	17961	Cord Leading Finger (lower) Screw, for 39905
350068E	17904	Knife Grinder Emery Wheel Driving Shaft Oil Hole Cover Screw, for 39898
350076C	17956	Clamp Carrier Regulator Stud (to regulate length of buttonhole)
350229E	17960	Barring Plate Screw
350230C	17922	Intermittent Feed Wheel Driving Bevel Gear Cap Screw, for 249944
350235D	17962	Sewing Safety Lock Pitman Hinge Screw (back)
350237C	17956	Feed Wheel Tripping Lever Hinge Screw
350243C	17953	Knife Bar Driving Lever (intermediate) Hinge Screw Stud
350246	17957	Thread (lower) Cutting Lever Extension Hinge Screw
350249E	17922	Intermittent Feed Wheel Position Screw, for 249642
350249E	17922	Needle Vibrating Gear Position Screw, for 249674
350251C	17958	Needle Bar Frame Connection Hinge Screw
350253C	17922	Barring Slide Operating Plate Adjusting Screw
350254F	17958	Needle Bar Frame Connection Cap Screw
350281C	17953	Knife Bar Driving Lever Hinge Screw
350287C	18229	Belt Shifter Operating Rod Set Screw, for 249853
350287C	17962	Belt Shifter Set Screw

## NUMERICAL LIST OF PARTS

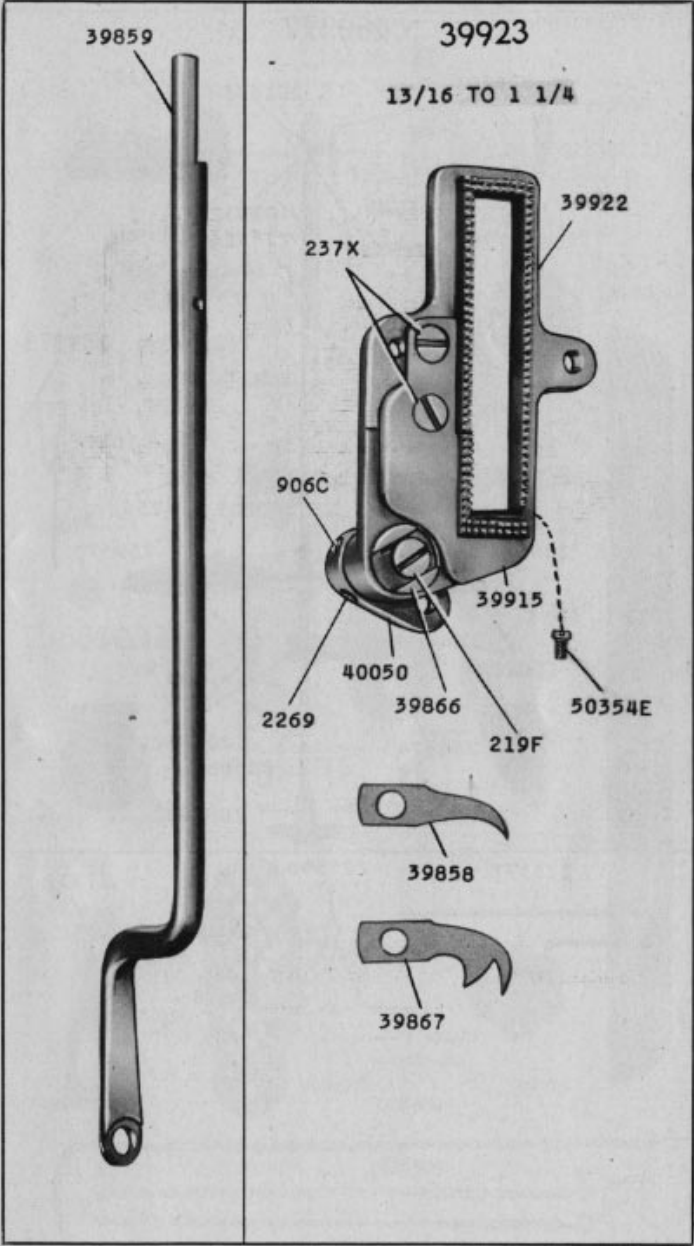
No.	Plate	Name
350287C	17957	Thread and Cord (upper) Cutting Blade Connecting Rod Latch Lifting Lever Screw
350288C	17962	Belt Shifter Shaft Bracket Hinge Screw
350310D	17960	Feed Driving Gear (intermediate) Swing Bracket Screw
350310E	17961	Thread and Cord Cutter Actuating Slide Block Screw
350329C	17962	Belt Shifter Operating Collar Set Screw, for 249854 and 249913
350337C	17962	Stitch Regulating Gear Disengaging Lever Hinge Screw, for 249913
350338E	17957	Belt Shifter Shaft Bracket Spring Screw Stud (lower)
350339E	17962	Belt Shifter Shaft Bracket Spring Screw Stud (upper)
350342D	17961	Cord Rotating Sector Hinge Screw (eccentric)
350343C	17960	Thread and Cord Cutter Actuating Slide Operating Disc Stud, for 262024
350430D	17960	Feed Driving Gear (intermediate) for Swing Bracket Screw
350453C	18234	Idler Pulley Bracket Position Screw, for 249991
350462E	17960	Feed Driving Gear (intermediate) Pinion Shaft Collar Set Screw, for 249995
350476C	17953	Barring Lever Hinge Screw
350500C	17960	Feed Driving Gear (intermediate) Bracket Position Lever Clamping Screw
351872	17922	Intermittent Feed Wheel Driving Roller 201891 with 229D, 23389 and 249937, for 249936



Genuine "SINGER" Needles should be used in "SINGER" Machines. These Needles and their Containers are marked with the Company's Trade Mark "SIMANCO." 1

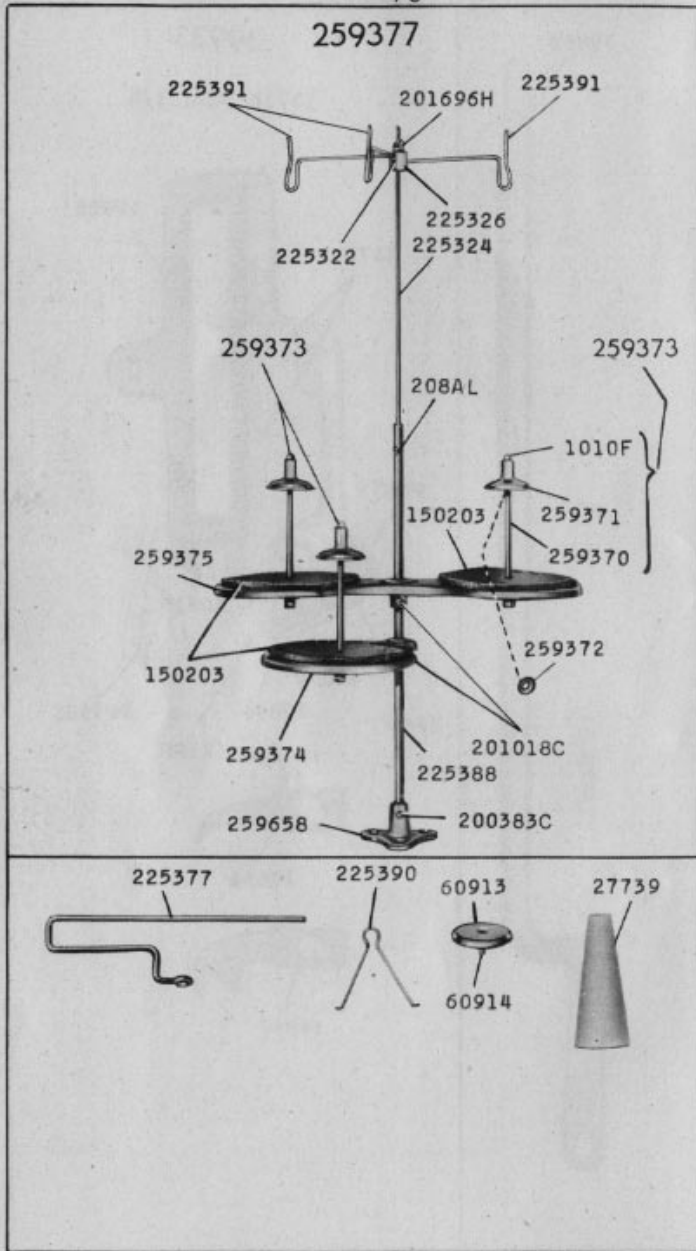
Needles in Containers marked "FOR SINGER MACHINES" are NOT "SINGER" made needles. 2

13598



13599-1/6

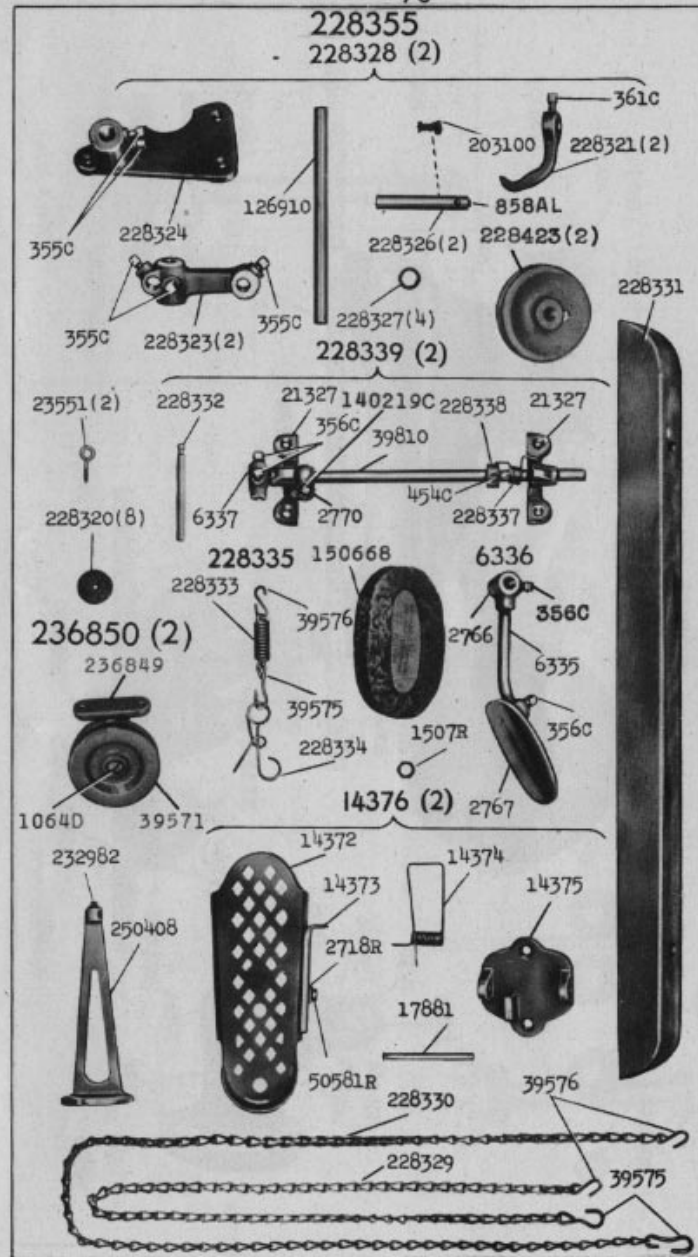
259377

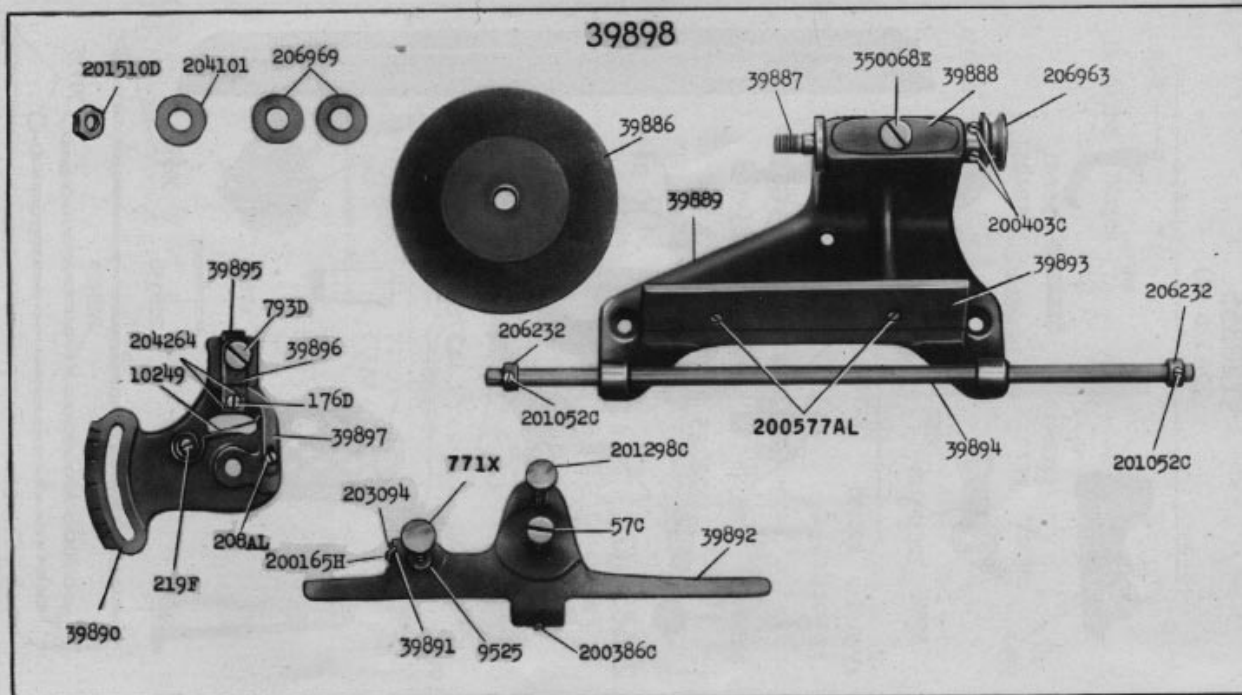


17903 - 1/6

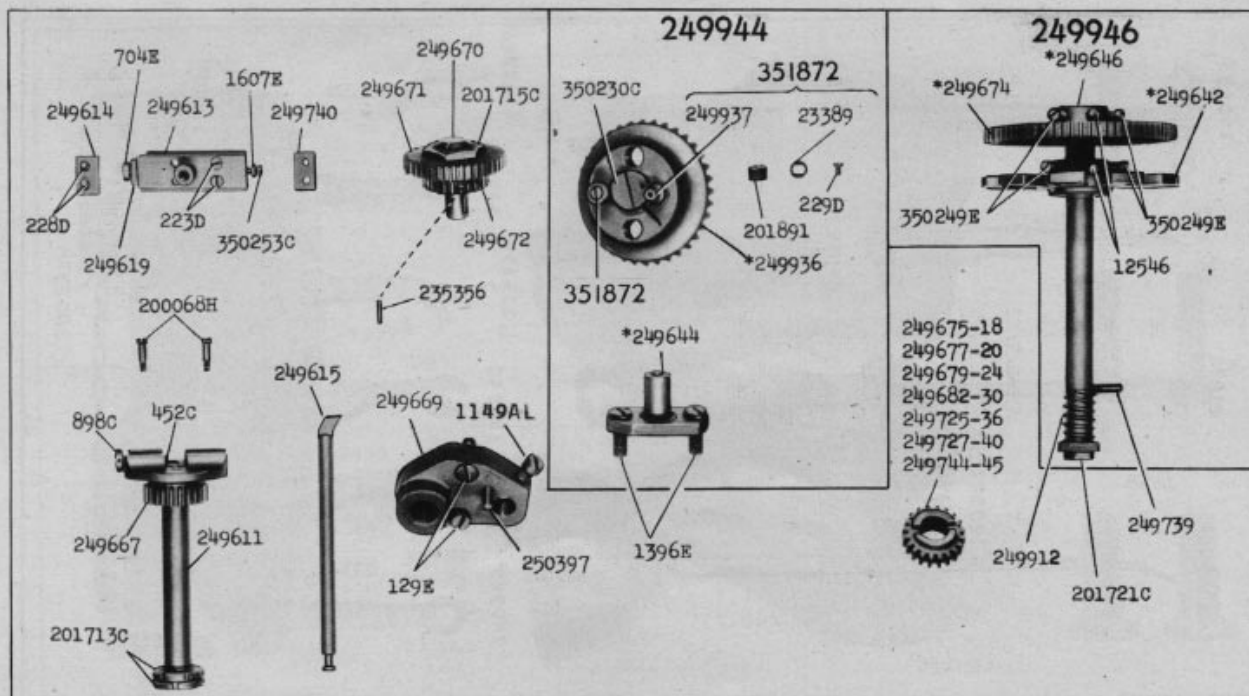
228355

228328 (2)



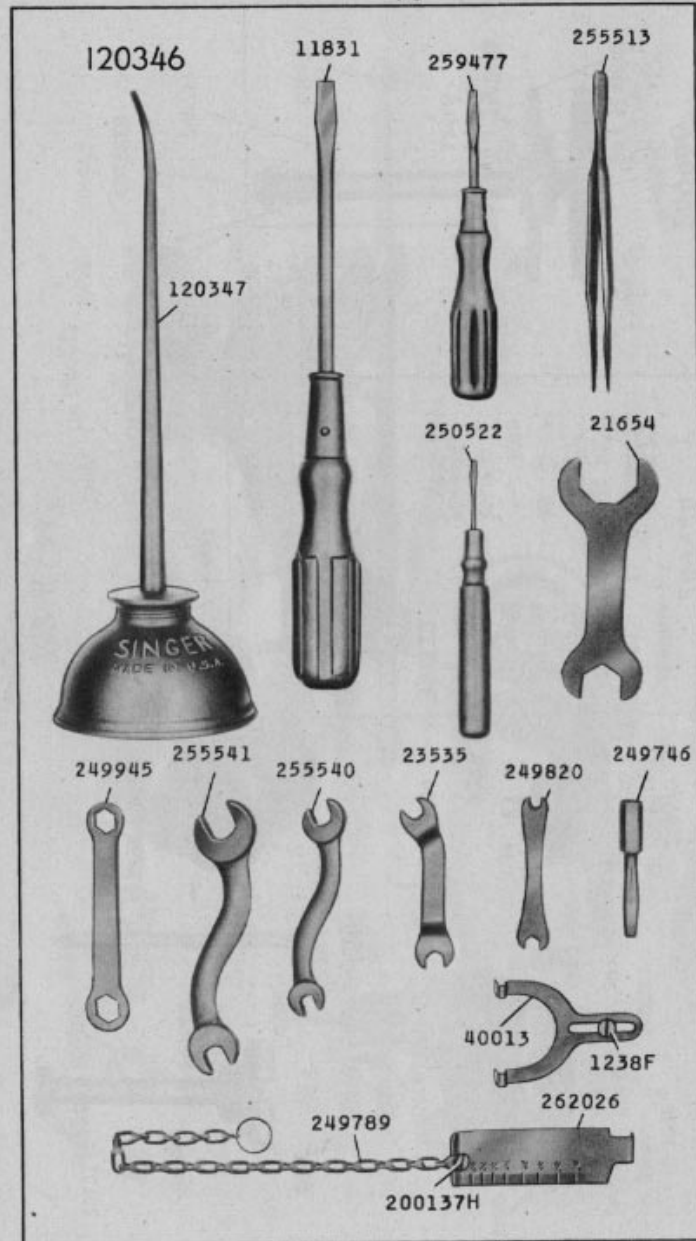


17904 - 1/3

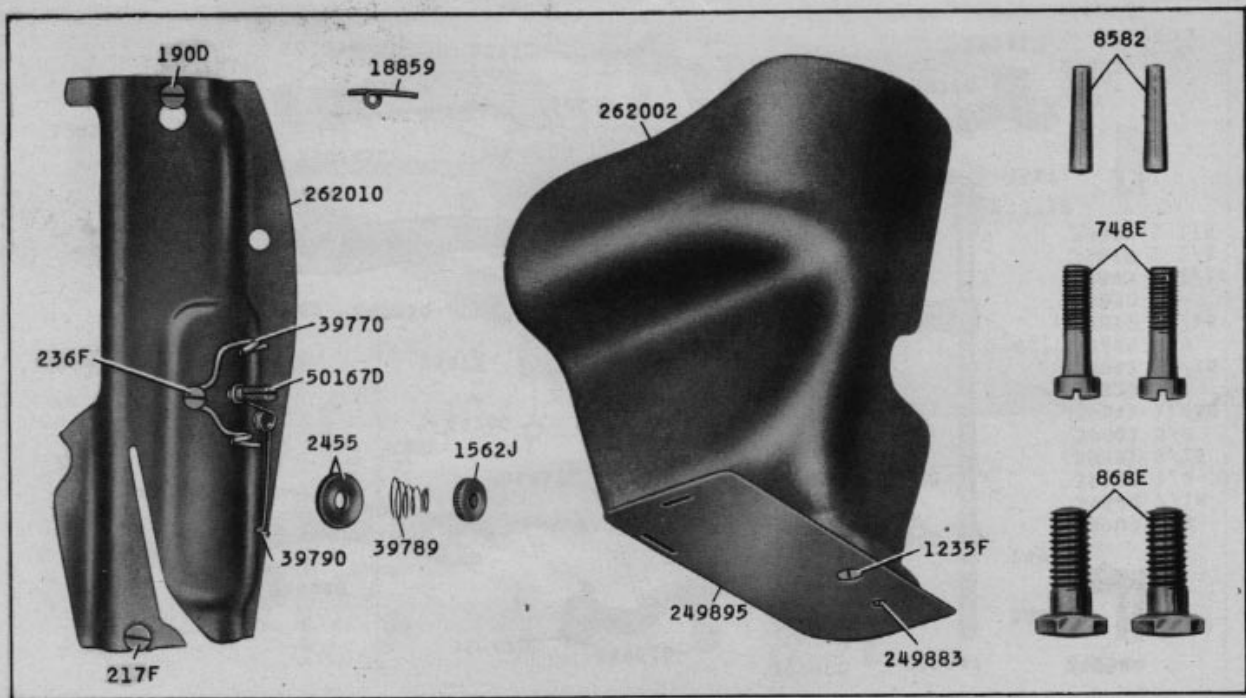


17922 - 3/8

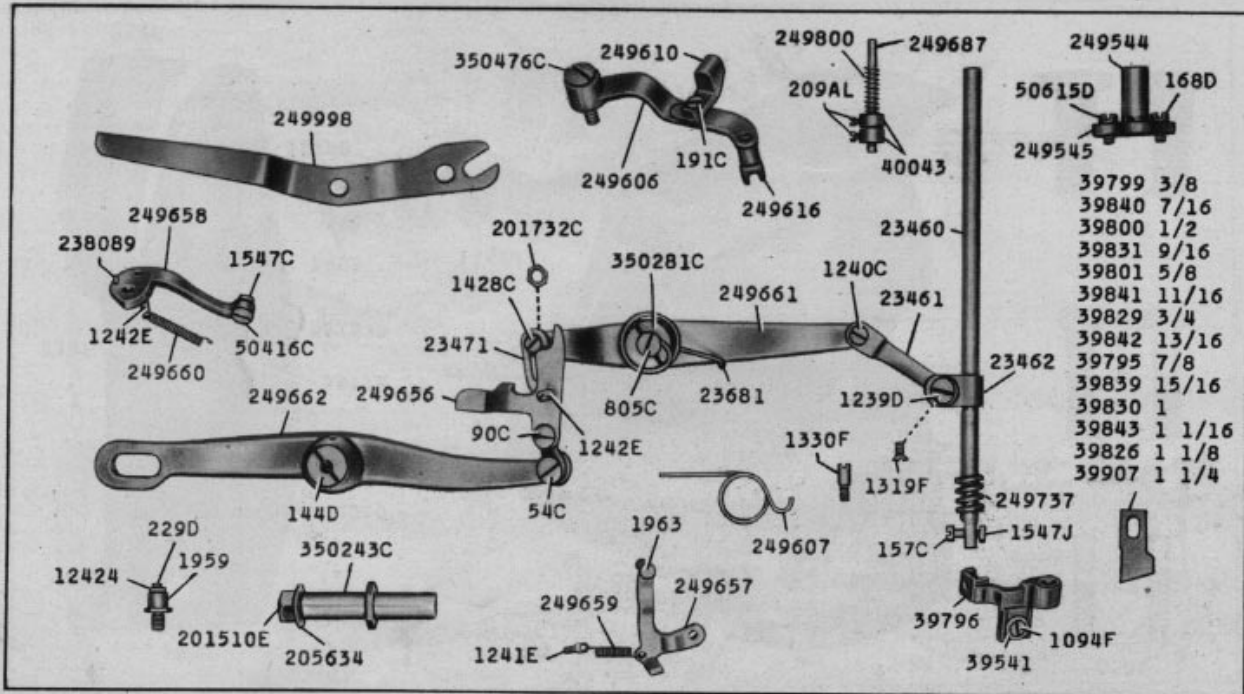
17951 - 1/3



262002-23023-6



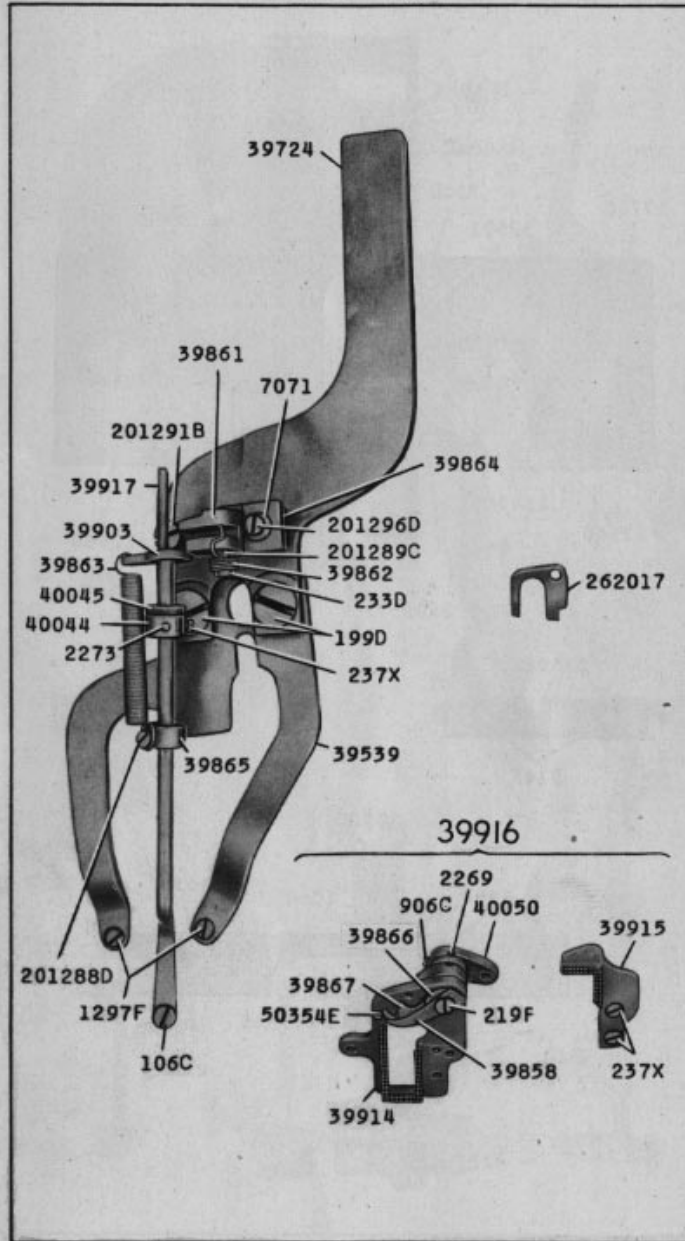
17952 - 1/2



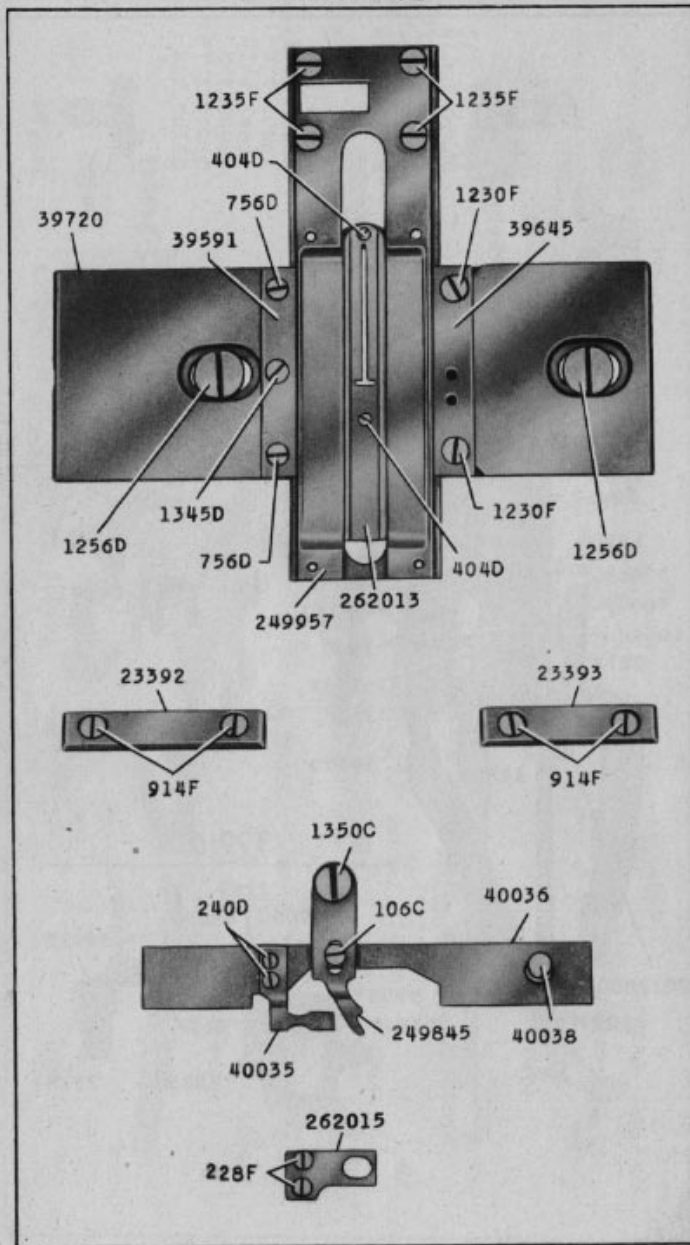
17953 - 1/3



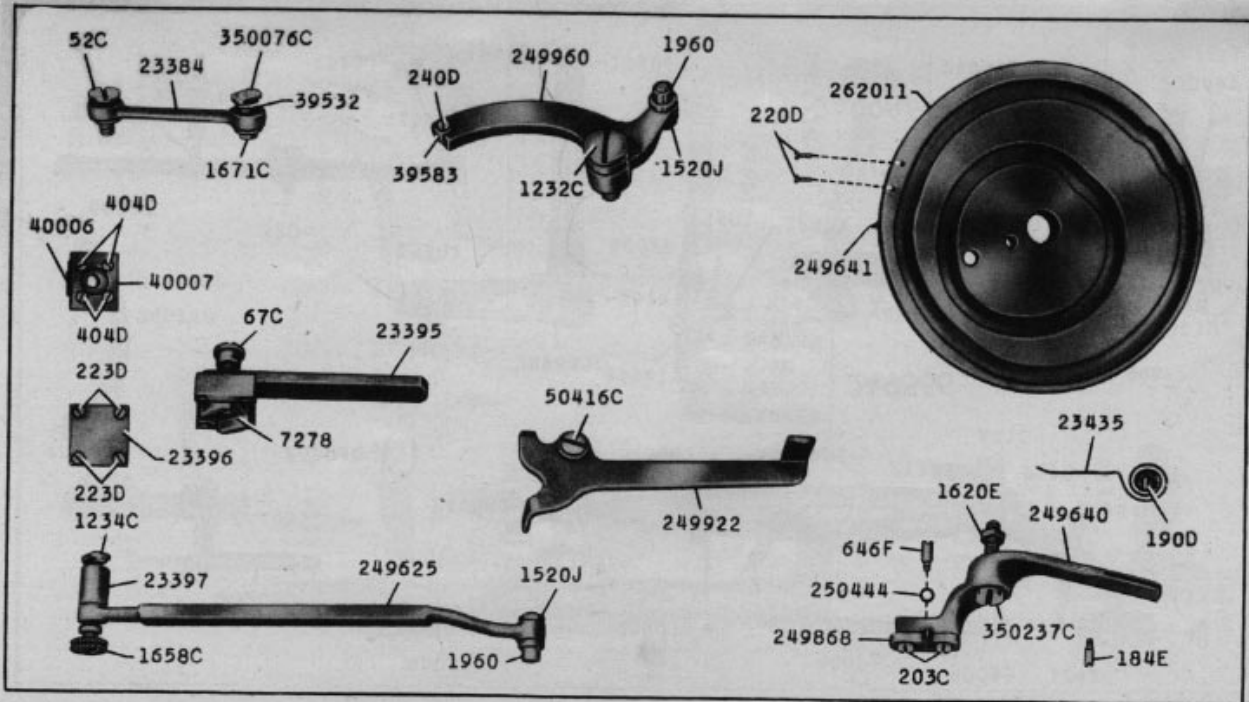
17954 - 1/2



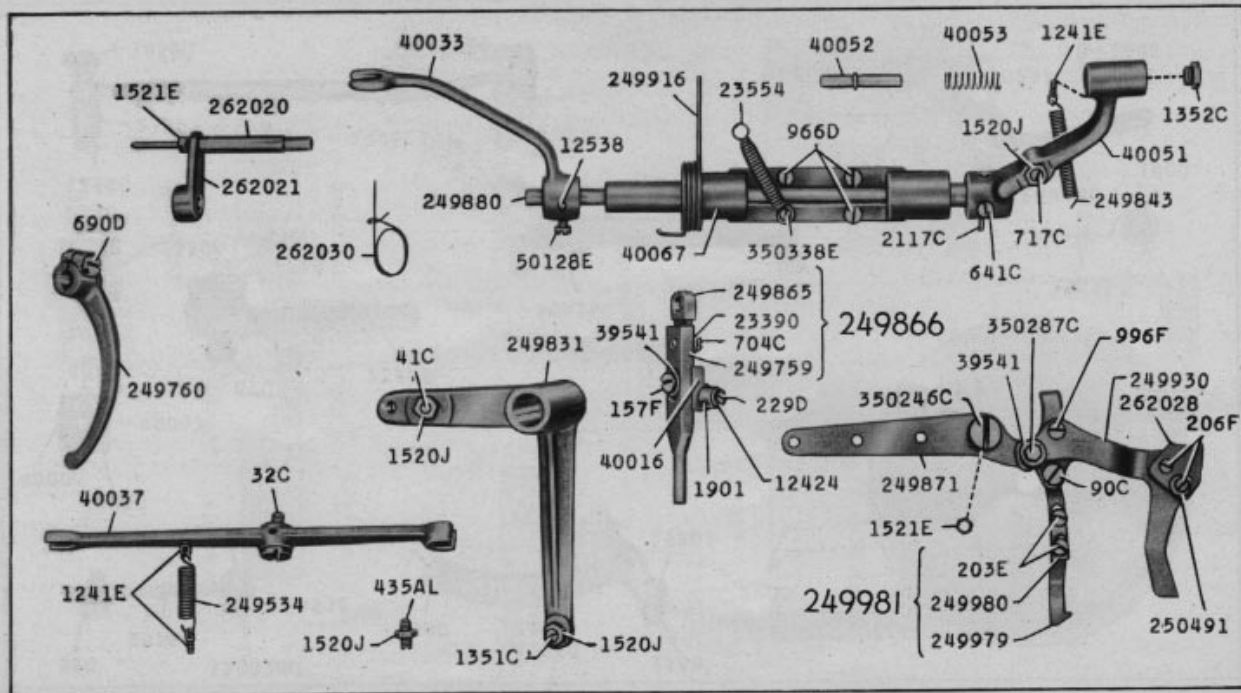
17955 - 1/2





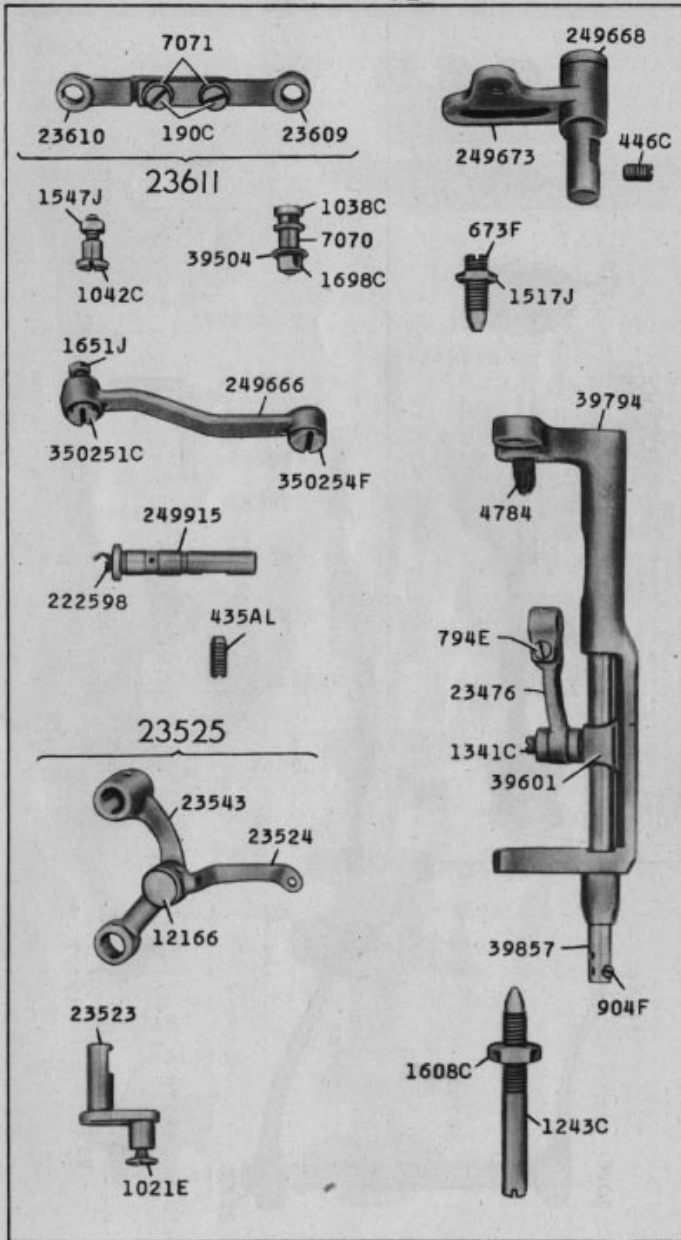


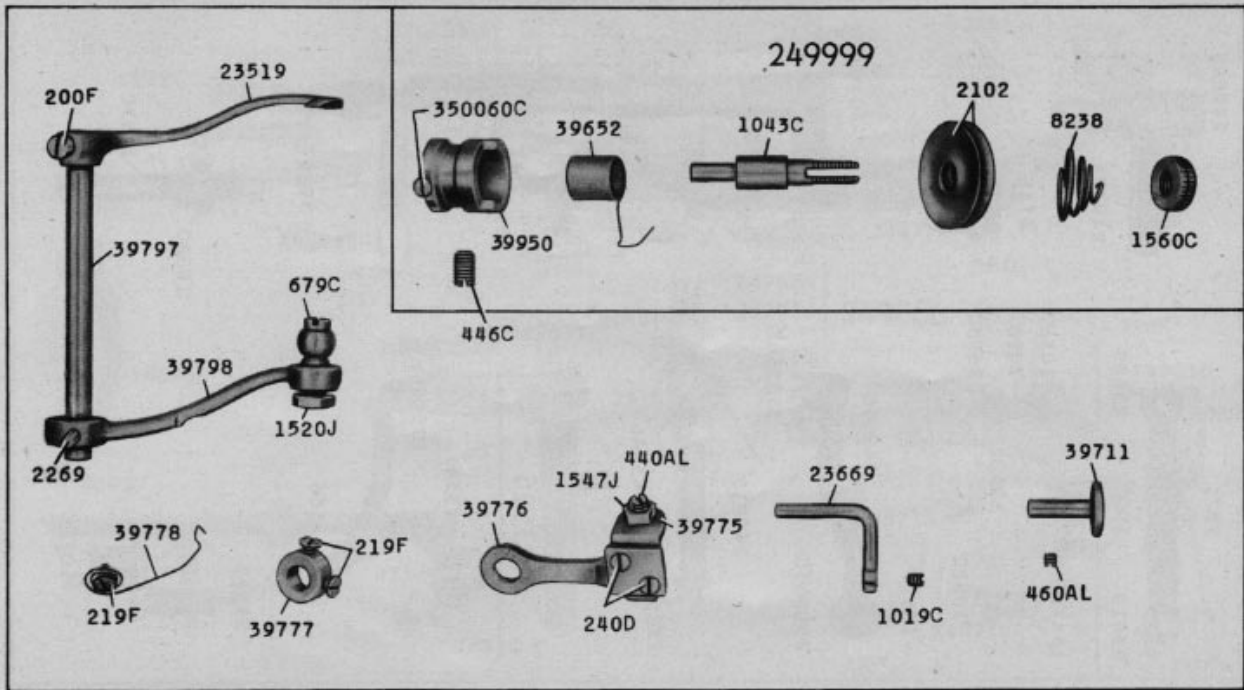
17956 - 3/8



17957 - 1/3

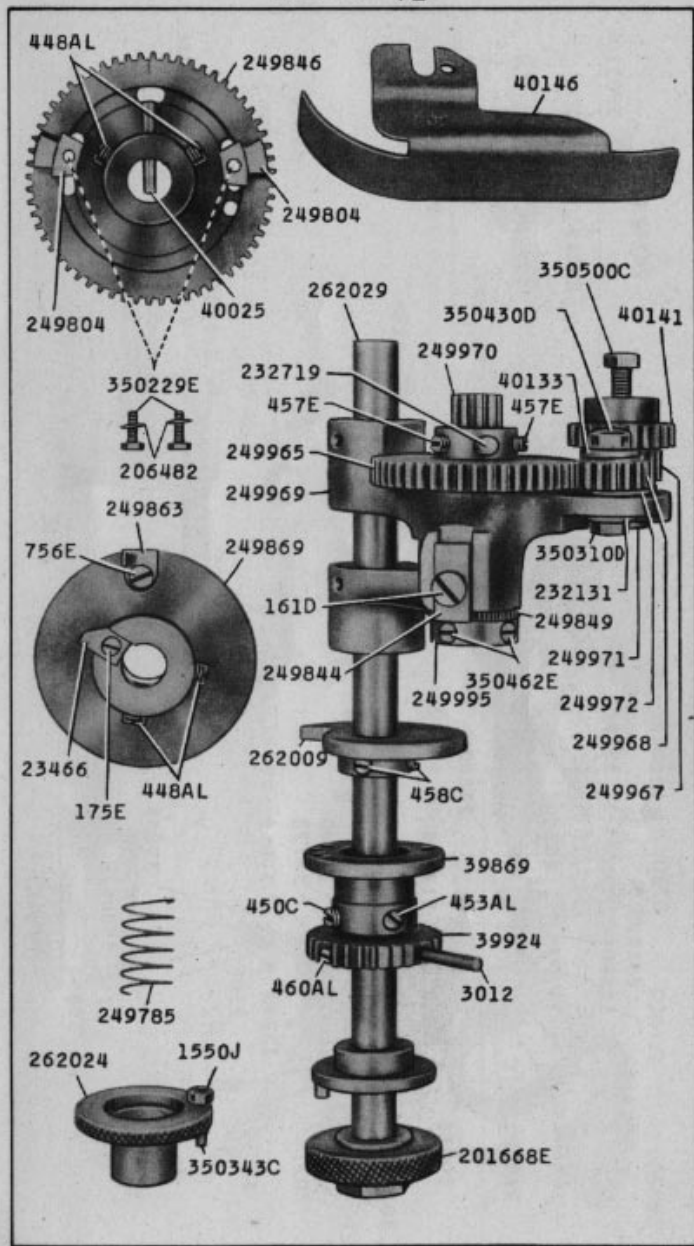
17958 - 1/2

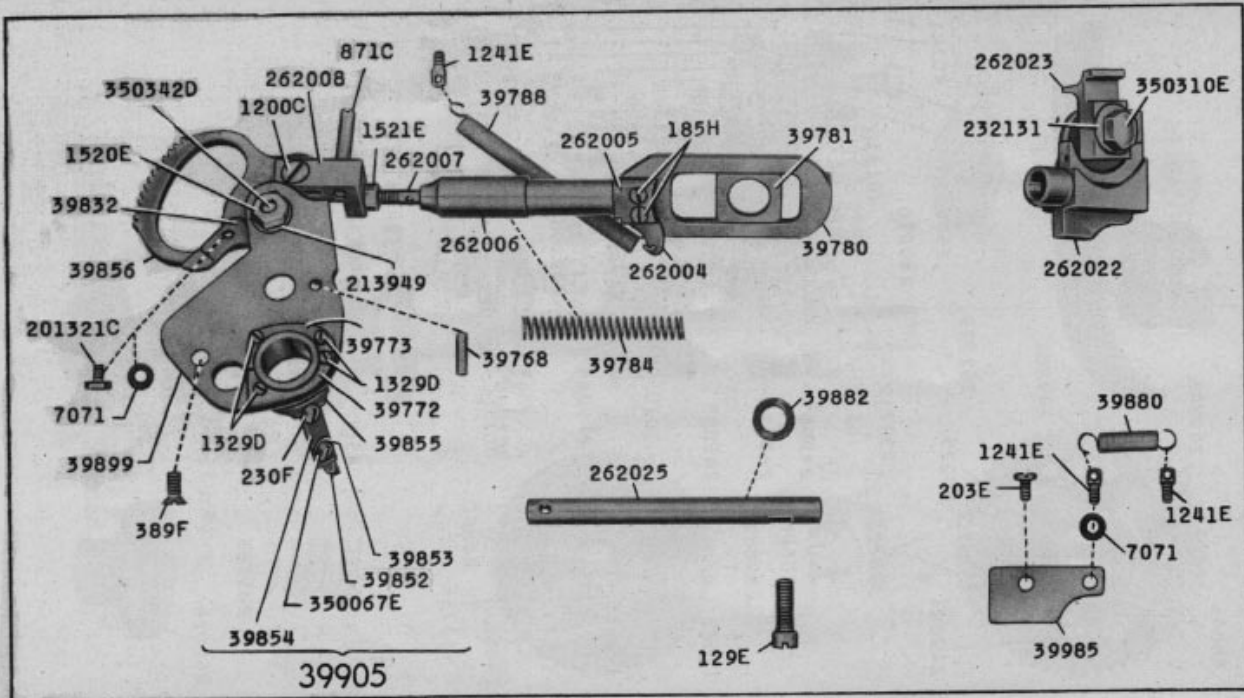




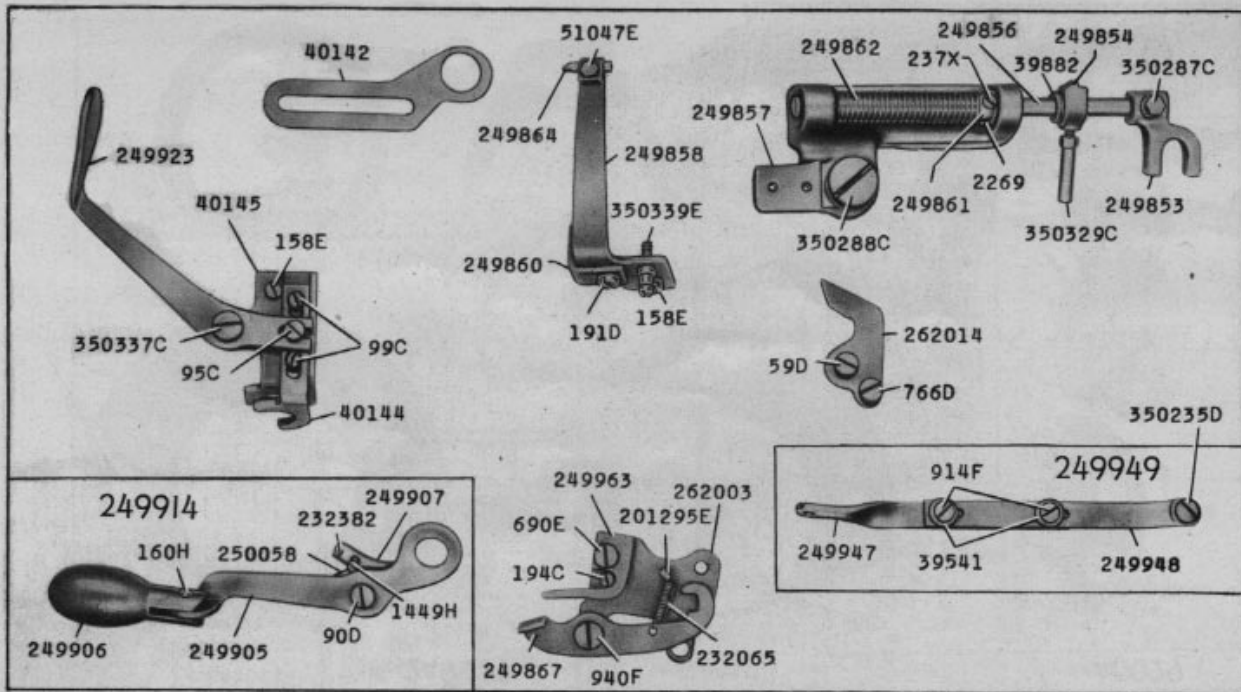
17959 - 5/8

17960 - 1/2



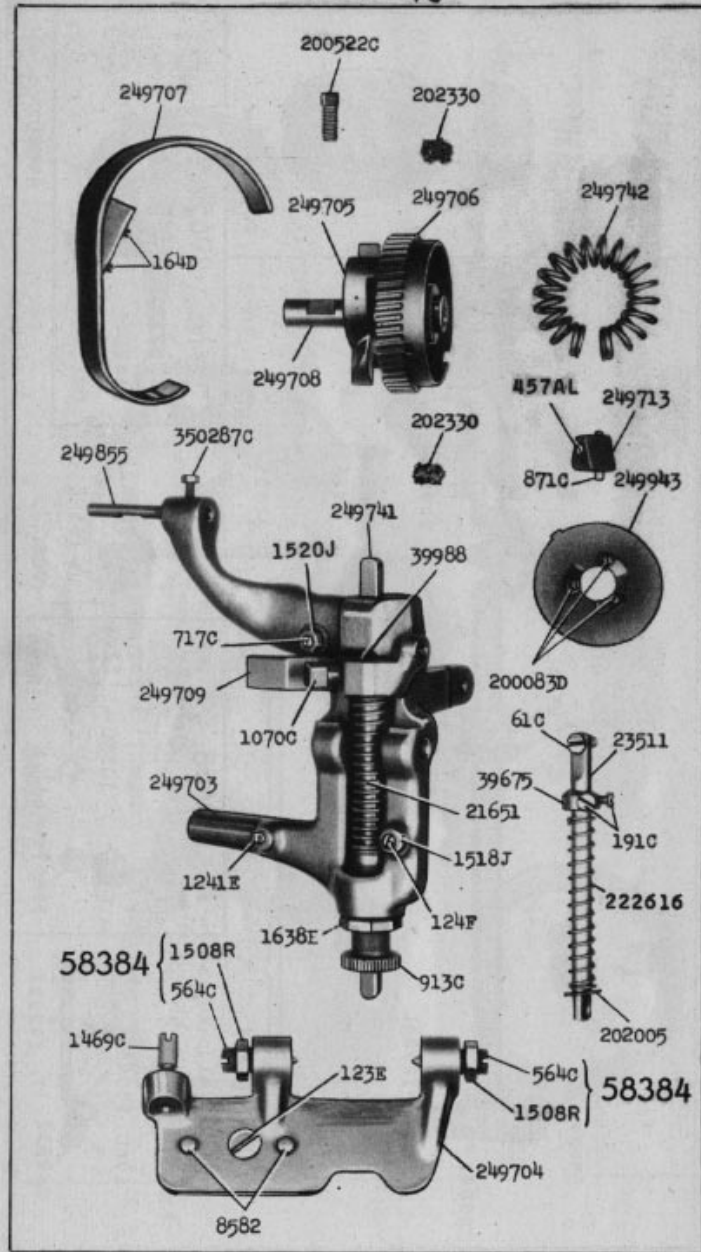


17961 - 1/2

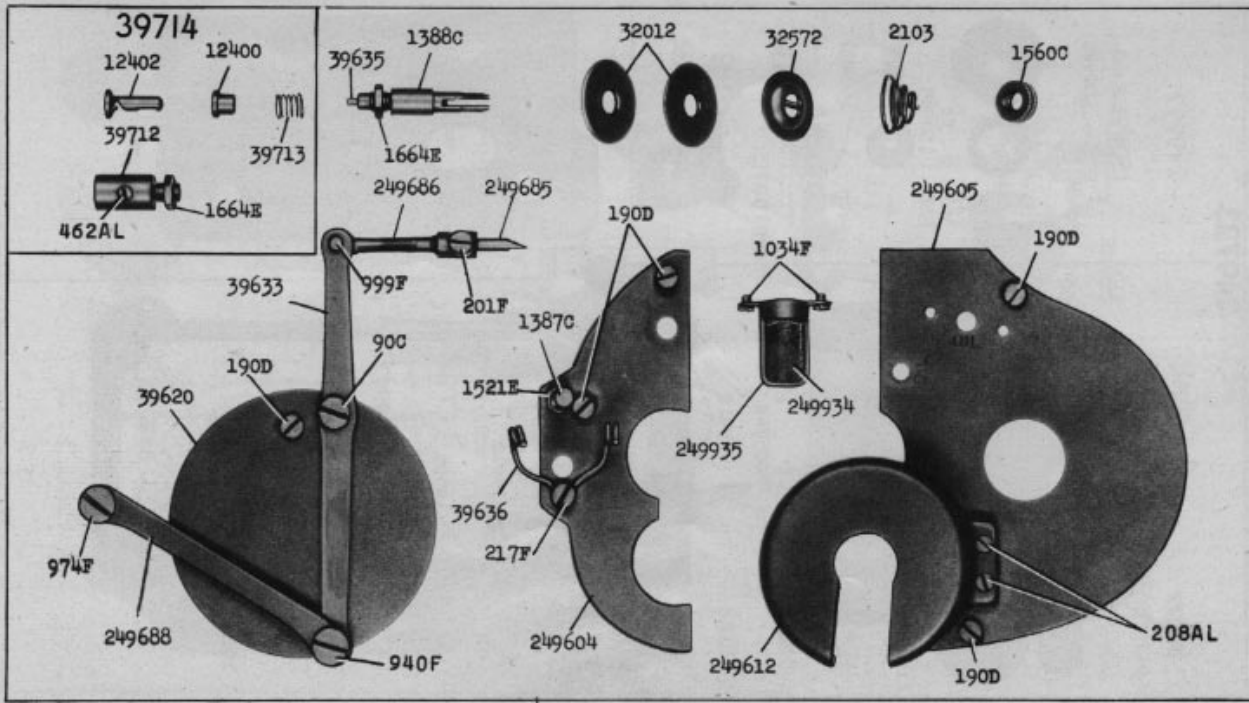


17962 - 3/8

18229 - 1/3





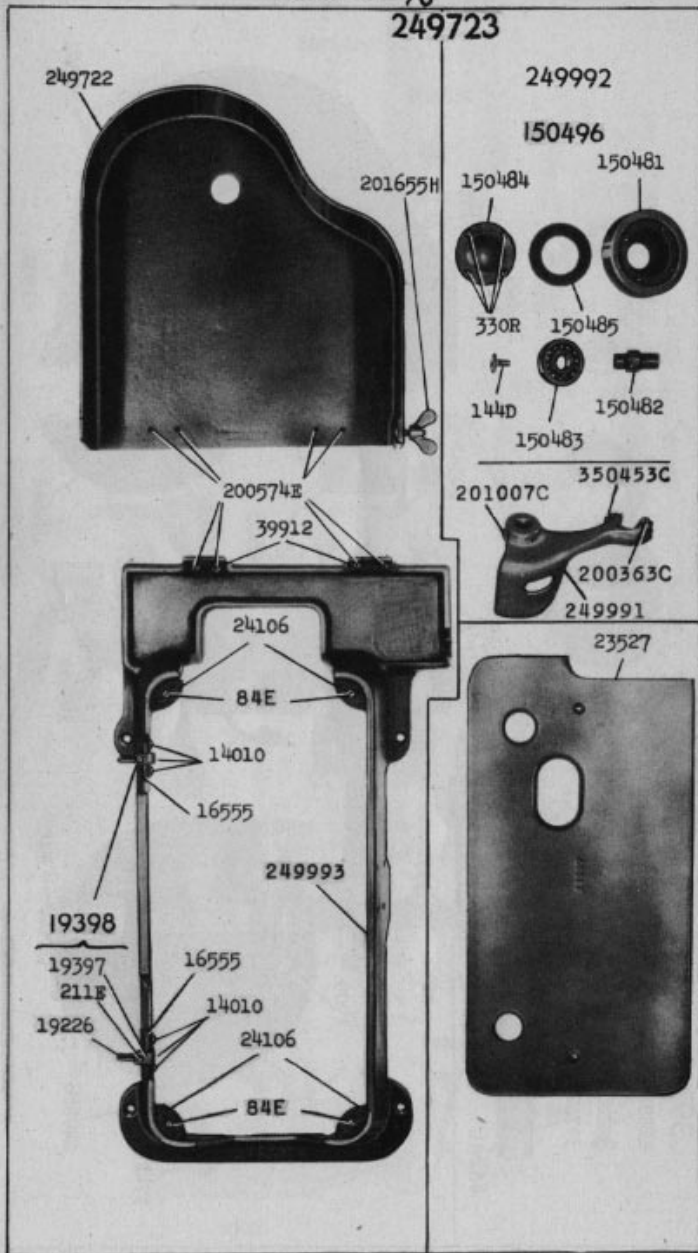


18232 - 1/2



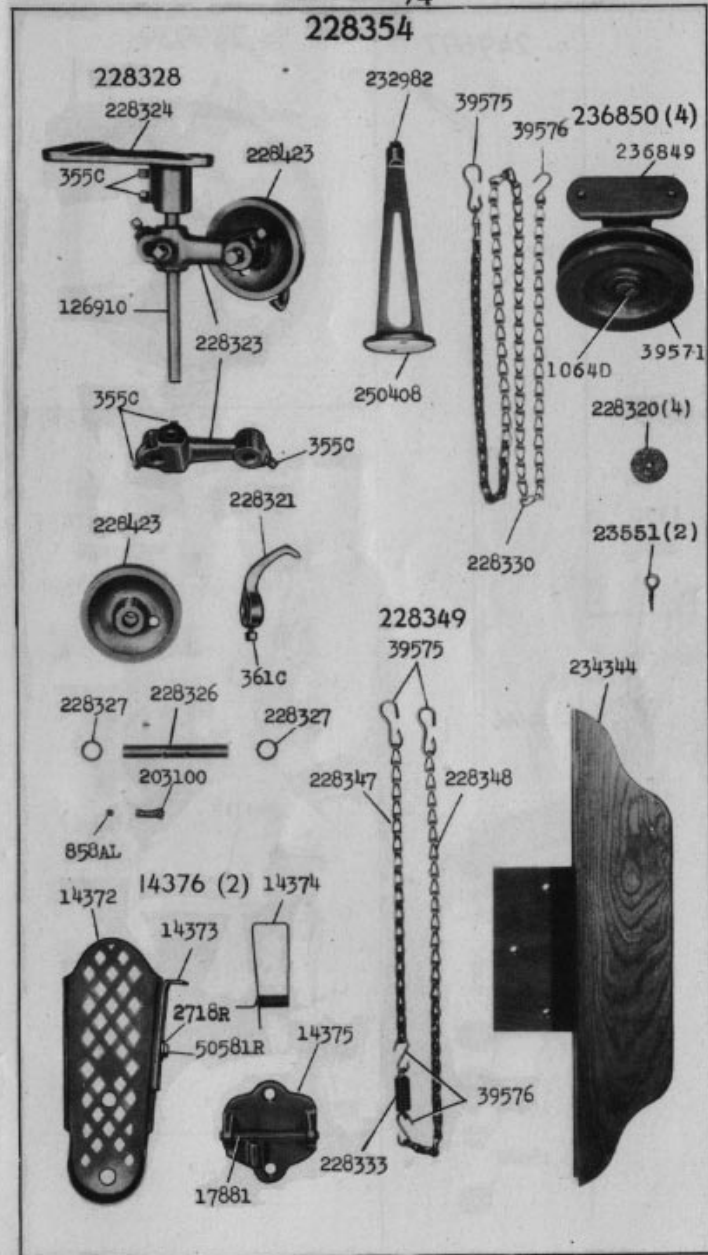
18234 - 1/6

249723

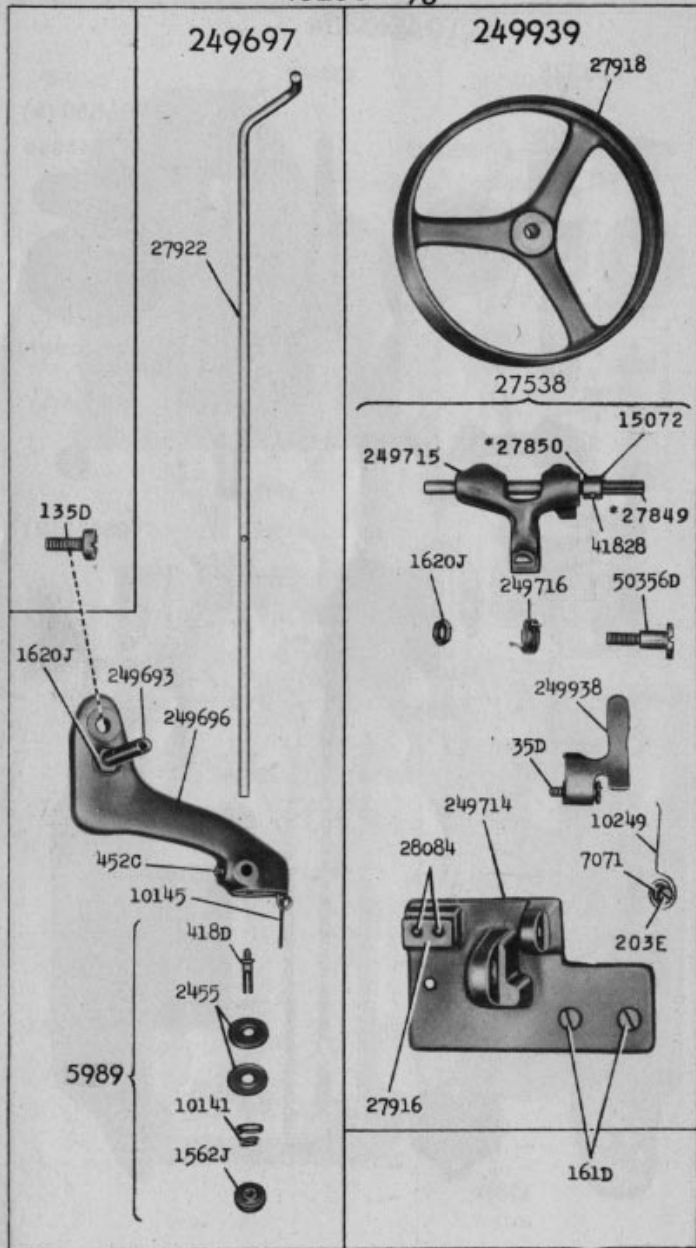


18235 - 1/4

228354



18236 - 3/8



18246 - 1/2

