

Form 2595w  
(440)

Printed in U. S. A.

HISTORICAL COPY  
DO NOT REMOVE

LIST  
OF  
PARTS



MACHINE No. 79-102

---

THE SINGER MANUFACTURING COMPANY

Copyright, U. S. A., 1938, 1939 and 1940  
by The Singer Manufacturing Co.  
All Rights Reserved for all Countries

## INDEX

---

	Page
Accessories .....	20
Bed Extension .....	20
Bobbin Winder .....	21
Clamp Checks .....	25
Driving Equipment .....	23
Iron Base .....	22
Machine No.79-102 .....	5
Miscellaneous Parts .....	26
Numerical List of Parts .....	27
Thread Unwinder .....	23

# INSTRUCTIONS FOR ORDERING

In ordering from this list, use ONLY the PART number in the FIRST column.

The number stamped on a Sewing Machine Part is the number of the Single Part only, except when the part includes Set Screws, Clamping Screws, Studs and Rollers Spun on, Small Wires riveted, or Parts soldered together, etc., which it is necessary to furnish in combination.

Every combination of parts sent out has its specific number which, although not stamped on Parts (except in above case), must be used when ordering the combination.

Each number always indicates the SAME PART in whatever list it appears, or for whatever Machine.

The letters after some of the numbers indicate the style of finish only, as follows:

- A-Hardened, Polished, Nickel Plated and Buffed
- B-Polished, Nickel Plated and Buffed
- C-Hardened Only
- D-Polished Only
- E-Soft, Not Polished
- F-Hardened and Polished
- H-Blued
- J-Nickel Plated Only
- R-Merlized
- X-Black Oxide, for Iron and Steel
- X.C-Hardened and Black Oxide, for Iron or Steel
- Y-Black Nickel Plated Only

These letters MUST BE USED when they appear in the list and AFTER the number, as in the list.

### In this series

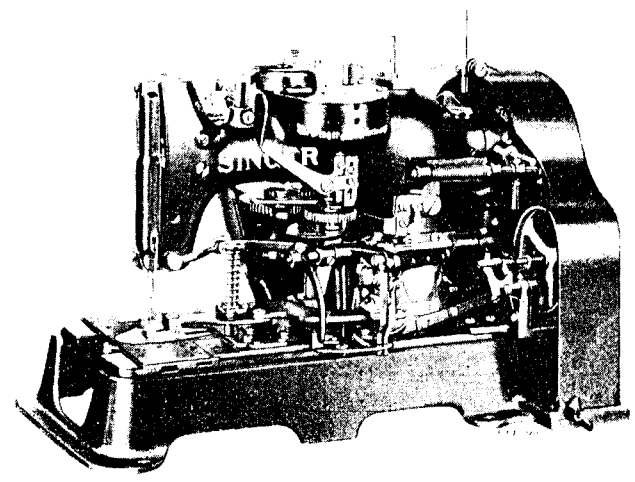
- 1 to 1500, 200001 to 201500 and 350001 to 351500 are Screw Numbers
- 1501 to 1800, 201501 to 201800 and 351501 to 351800 are Nut Numbers
- 1801 to 2000, 201801 to 202000 and 351801 to 352000 are Roller Numbers
- 2001 to 50000 and 202001 to 350000 are Numbers of Machine Parts

The Figures in the second column refer only to the plate in which the illustration of the part is shown and are NOT TO BE USED in ordering.

Two or more numbers over a cut indicate that the difference between such parts is not visible in an illustration.

Parts marked with an asterisk (\*) are furnished only when repairs are made at the factory.

# LIST OF PARTS COMPLETE FOR



## MACHINE No. 79-102

**HIGH SPEED. POSITIVE FEED.**  
 For Stitching Buckles on Garters and Similar Articles.  
 Makes whip stitch tack from 1/4 inch to 1 1/8 inches long  
 and 1/16 inch to 3/16 inch wide.  
 Automatically cuts the UNDER thread.

No.	Plate	Name
*249601	-----	Arm with 24081
8582	18222	" Dowel Pin (2)
748E	18222	" Screw (back) (2)
868E	18222	" " (front) (2)
249602	18220	" Shaft
*24081	-----	" " Bushing (front)
202260	18220	" " " Oil Packing (wick) (2)
200502B	18220	" " " " " Thumb Screw (2)
249622	18220	" " Flanged Bushing (back)
435C	18220	" " " " " Set Screw
1069D	18220	" " Screw
39620	18232	" Side Cover
190D	18232	" " " Screw
249604	18232	" Top Cover (left)
249605	18232	" " " (right)
190D	18232	" " " Screw (4)
*249620	-----	Bed

No.	Plate	Name
262002	18222	Bed Oil Guard with 249883
249883	18222	" " " Oil Tube (brass)
1235F	18222	" " " Screw
249853	18239	Belt Shifter with 350287C
249854	18239	" " Operating Collar with 350329C
350329C	18239	" " " " Set Screw
249855	18229	" " " Rod
350287C	18229	" " " " Set Screw
350287C	18239	" " Set Screw
249856	18239	" " Shaft
249857	18239	" " Bracket
350288C	18239	" " " " Hinge Screw
249858	18239	" " " " Extension with 51047E
51047E	18239	Belt Shifter Shaft Bracket Extension Pinch Screw
158E	18239	Belt Shifter Shaft Bracket Extension Screw
23554	18241	Belt Shifter Shaft Bracket Spring
350338E	18241	" " " " " Screw Stud (lower)
350339E	18239	Belt Shifter Shaft Bracket Spring Screw Stud (upper)
249860	18239	Belt Shifter Shaft Bracket Stop
191D	18239	" " " " " Screw
249861	18239	" " " Guide Collar with 237F
2269	18239	" " " " " Position Pin
237F	18239	" " " " " Set Screw
249862	18239	" " " Spring
39882	18239	" " Stop Washer (rawhide)
249863	18240	" " Trip Point
249869	-----	" " " " Collar with 175E, 756E, 23466, 249863 and two 448C
40139	18240	Belt Shifter Trip Point Collar 249869 less 23466 and 175E
448C	18240	Belt Shifter Trip Point Collar Set Screw
756E	18240	" " " " " Screw
249864	18239	" " " Stud
161D	18236	Bobbin Winder Base Screw (2)
39647	18238	Clamp Arm
625F	18208	" " Adjusting Screw (2)
1547J	18208	" " " " Nut (2)
39684	18208	" " Bracket with 196F
40003	18208	" " " Guide (left)
219F	18208	" " " " " Screw (2)
40004	18208	" " " " (right)
207F	18208	" " " " " Screw (2)
191C	18208	" " " Screw (3)
39541	18208	" " " Washer (3)
23379	18208	" " Hinge Block

No.	Plate	Name
23380	18208	Clamp Arm Hinge Block Pin
196F	18208	" " " " " Set Screw
402D	18208	" " " Screw (3)
40005	18244	" Carrier
40006	18245	" " Block with 40007 and four 404D
40007	18245	" " " Plate
404D	18245	" " " " Screw
23384	18245	" " Connecting Rod
52C	18245	" " " " Hinge Screw
39591	18244	" " Guide (left)
756D	18244	" " " " Screw (long)
1345D	18244	" " " " " (short)
39645	18244	" " " (right)
1230F	18244	" " " " Screw (2)
40075	18208	" " Plate
1231F	18208	" " " " Screw (back) (2)
404D	18208	" " " " " (front) (2)
249623	18245	" " Regulator with 240D, 1960 and 39583
1232C	18245	Clamp Carrier Regulator Hinge Screw
1960	18245	" " " " Roller and Screw Stud with 1520J
1520J	18245	Clamp Carrier Regulator Roller and Screw Stud Nut
249895	18222	Clamp Carrier Regulator Slide
350076C	18245	" " " " Stud (to regulate length of tack)
1671C	18245	Clamp Carrier Regulator Stud Nut
39532	18245	" " " " Sleeve
39583	18245	" " " " Stop
240D	18245	" " " " " Screw
39605	18244	" " Slide with 1345D, 39591 and two 756D
23392	18244	Clamp Carrier Slide Guide (left)
23393	18244	" " " " (right)
914F	18244	" " " " " Screw (4)
1346D	18244	" " " " " Screw (2)
40109	18238	" Check with 1348E
40080	18238	" " Buckle Locating Spring
201258E	18238	" " " " " Screw
40081	18238	" " " " Position Plate
40110	18238	" " " " " Position Spring
228D	18238	Clamp Check Buckle Position Plate Posi- tion Spring Screw
1348E	18238	Clamp Check Buckle Position Plate Stop Screw
39707	18238	Clamp Check Holder
337B	18238	" " " " Adjusting Screw

## PARTS FOR MACHINE No. 79-102

No.	Plate	Name
249749	18238	Clamp Check Holder Adjusting Screw Friction Plate
212D	18238	Clamp Check Holder Hinge Cap Screw
39715	18238	" " " Stop Plate
237F	18238	" " " " " Screw
1296C	18238	" " Screw (2)
40073	18238	" " Shaft Lever with 906C
2269	18238	" " " " Pin
906C	18238	" " " " Set Screw
1296C	18238	" " Stop Screw
40093	18238	Clamp Check complete, Nos. 228D, 2269, 40073, 40080, 40081, 40109, 40110 and two 201258E
39724	18238	Clamp Lifting Arm
249759	18241	" " " Connection (lower section)
249865	18241	Clamp Lifting Arm Connection (upper section)
249866	18241	Clamp Lifting Arm Connection complete, Nos. 704C, 23390, 249759 and 249865
41C	18241	Clamp Lifting Arm Connection Hinge Screw
1520J	18241	" " " " " " Nut
249867	18239	Clamp Lifting Arm Connection Lock
249781	18239	" " " " " Bracket
690E	18239	" " " " " " Screw
940F	18239	Clamp Lifting Arm Connection Lock Hinge Screw
232065	18239	Clamp Lifting Arm Connection Lock Spring
201295E	18239	" " " " " " Screw Stud
249805	18239	Clamp Lifting Arm Connection Lock Stop Plate
194C	18239	Clamp Lifting Arm Connection Lock Stop Plate Support End
249760	18241	Clamp Lifting Arm Connection Lock Trip Lever with 690D
690D	18241	Clamp Lifting Arm Connection Lock Trip Lever Pinch Screw
1901	18241	Clamp Lifting Arm Connection Roller and Screw Stud with 229D and 12424
40016	18241	Clamp Lifting Arm Connection Roller and Screw Stud Bracket
157F	18241	Clamp Lifting Arm Connection Roller and Screw Stud Bracket Screw
39541	18241	Clamp Lifting Arm Connection Roller and Screw Stud Bracket Screw Washer
229D	18241	Clamp Lifting Arm Connection Roller Cap Screw

## PARTS FOR MACHINE No. 79-102

No.	Plate	Name
12424	18241	Clamp Lifting Arm Connection Roller Cap Screw Washer
704C	18241	Clamp Lifting Arm Connection Screw
23390	18241	" " " " " Washer
199D	18238	" " " Screw (2)
40020	18208	" Plate
1235F	18244	" " Screw (4)
23573	18208	" " Support
402D	18208	" " " Screw (2)
23574	18208	" Post
1659C	18208	" Pressure Regulating Thumb Nut
23404	18208	" Spring
23693	18208	" " Bushing
1294C	18208	" " " Position Stud
1550J	18208	" " " " " Nut
24028	18220	Crank Connecting Rod with 24085 and two 896E
*24085	-----	Crank Connecting Rod Cap
896E	18220	" " " " Screw
908C	18220	" " " Hinge Screw
1619E	18220	" " " " " Nut
249933	18220	" " " " " Oil Tube (brass)
249631	18222	Face Plate
217D	18222	" " Screw (lower)
190D	18222	" " " (upper)
40118	18240	Feed Driving Gear with two 448C
249847	18240	" " " (intermediate) with two 457E
249850	18240	Feed Driving Gear (intermediate) Bracket
249904	18239	" " " " " " Position Lever
1178C	18240	Feed Driving Gear (intermediate) Bracket Position Lever Clamping Screw
232131	18240	Feed Driving Gear (intermediate) Bracket Position Lever Clamping Screw Washer
40119	18240	Feed Driving Gear (intermediate) Pinion Shaft
249745	18240	Feed Driving Gear (intermediate) Pinion Shaft Collar with two 458C
458C	18240	Feed Driving Gear (intermediate) Pinion Shaft Collar Set Screw
249849	18240	Feed Driving Gear (intermediate) Pinion Shaft Eccentric Bushing
249844	18240	Feed Driving Gear (intermediate) Pinion Shaft Eccentric Bushing Position Plate
161D	18240	Feed Driving Gear (intermediate) Pinion Shaft Eccentric Bushing Position Plate Screw

No.	Plate	Name
232719	18240	Feed Driving Gear (intermediate) Position Pin
457E	18240	Feed Driving Gear (intermediate) Set Screw
40025	18240	Feed Driving Gear Position Pin
448C	18240	" " " " Set Screw
249905	18239	" Hand Ratchet Lever
232600	18240	" " " " Collar with two 453C
453C	18240	Feed Hand Ratchet Lever Collar Set Screw
249906	18239	" " " " Extension Handle
160H	18239	" " " " " " Screw
249907	18239	Feed Hand Ratchet Lever Pawl with 232382
90D	18239	" " " " " Hinge Screw
250058	18239	" " " " " Spring
232382	18239	" " " " " Pin
1449H	18239	" " " " " Screw
249914	18239	Feed Hand Ratchet Lever complete, Nos. 90D, 160H, 1449H, 249905 to 249907 and 250058
39924	18240	Feed Hand Ratchet Wheel with 460C
3012	18240	" " " " Pin
460C	18240	" " " " Set Screw
40120	18245	" Wheel with 249641 and two 220D
201668E	18240	" Clamping Nut
249639	18240	" Shaft
249640	18245	" Tripping Lever
350237C	18245	" " " " Hinge Screw
1620E	18245	" " " " " Nut
249868	18245	" " " " Point
203C	18245	" " " " " Screw (2)
646F	18245	" " " " Screw Stud
250444	18245	" " " " " Washer
23435	18245	" " " " Spring
190D	18245	" " " " " Screw
184E	18245	" " " " Stop Screw
249641	18245	" " " Point
220D	18245	" " " " Screw
*249642	18225	Intermittent Feed Wheel with two 350249E
*249936	18225	" " " Driving Bevel Gear with two 351872
*249644	18225	Intermittent Feed Wheel Driving Bevel Gear Bracket
249944	18225	Intermittent Feed Wheel Driving Bevel Gear Bracket 249644 with 249936 and 350230C
1396E	18225	Intermittent Feed Wheel Driving Bevel Gear Bracket Screw (2)
350230C	18225	Intermittent Feed Wheel Driving Bevel Gear Cap Screw

No.	Plate	Name
249645	18220	Intermittent Feed Wheel Driving Bevel Pinion with two 453C
40025	18220	Intermittent Feed Wheel Driving Bevel Pinion Position Pin
453C	18220	Intermittent Feed Wheel Driving Bevel Pinion Set Screw
201891	18225	Intermittent Feed Wheel Driving Roller
351872	18225	" " " " " " 201891 with 229D, 23389 and 249937
229D	18225	Intermittent Feed Wheel Driving Roller Cap Screw
23389	18225	Intermittent Feed Wheel Driving Roller Cap Screw Washer
249934	18232	Intermittent Feed Wheel Driving Roller Oiling Felt
249935	18232	Intermittent Feed Wheel Driving Roller Oiling Felt Holder
1034F	18232	Intermittent Feed Wheel Driving Roller Oiling Felt Holder Screw (2)
249937	18225	Intermittent Feed Wheel Driving Roller Stud
12546	18225	Intermittent Feed Wheel Position Pin
350249E	18225	" " " " Screw
*249646	18225	" " " Shaft
249946	18225	" " " " 249646 with 249642, 249674 and two 12546
39857	18230	Needle Bar with 904F
23476	18230	" " Connecting Link with 794E
794E	18230	" " " " Adjusting Screw
1021E	18230	" " " " Cap Screw
39601	18230	" " " Stud with 1341C
1341C	18230	" " " " Set Screw
23477	18220	" " Crank with 858C, 1036C, 1065C and 1258C
1065C	18220	Needle Bar Crank Position Screw
858C	18220	" " " Set Screw
23478	18230	" " Frame with 4784
249666	18230	" " " Connection
350254F	18230	" " " " Cap Screw
350251C	18230	" " " " Hinge Screw
249667	18225	" " " Driving Gear
249671	18225	" " " " (intermediate) (large) with 235356
249672	18225	Needle Bar Frame Driving Gear (intermediate) (small)
249669	18225	Needle Bar Frame Driving Gear (intermediate) Bracket with 1149C
250397	18225	Needle Bar Frame Driving Gear (intermediate) Bracket Position Pin

No.	Plate	Name
129E	18225	Needle Bar Frame Driving Gear (intermediate) Bracket Screw (2)
201715C	18225	Needle Bar Frame Driving Gear (intermediate) Clamping Nut
235356	18225	Needle Bar Frame Driving Gear (intermediate) Pin
249670	18225	Needle Bar Frame Driving Gear (intermediate) Stud
1149C	18225	Needle Bar Frame Driving Gear (intermediate) Stud Set Screw
200068H	18225	Needle Bar Frame Driving Gear Screw (2)
23610	18230	" " " Pitman (hinge screw end)
23609	18230	" " " " (regulator end)
190C	18230	" " " " Adjusting Screw
7071	18230	" " " " Washer
23611	18230	Needle Bar Frame Pitman (adjustable) complete, Nos. 23609, 23610 two each 190C and 7071
1042C	18230	Needle Bar Frame Pitman Hinge Screw
1547J	18230	" " " " " " Nut
249673	18230	" " " " Regulator
1038C	18230	" " " " Adjusting Screw
1698C	18230	" " " " " " Nut
7070	18230	" " " " " " "
		Sleeve
39504	18230	Needle Bar Frame Regulator Adjusting Screw Washer
249668	18230	Needle Bar Frame Regulator Hinge Stud
446C	18230	" " " " " " Set Screw
303C	18230	Needle Bar Frame Screw Center (lower)
1608C	18230	" " " " " " Nut
673F	18230	" " " " " (upper)
1517J	18230	" " " " " " Nut
40131	18244	" Plate
404D	18244	" " Screw (2)
904F	18230	" Set Screw
40122	18225	" Vibrating Controlling Block
161D	18225	" " " " Screw
8800	18225	" " " " " Washer
*249674	18225	" " Gear with two 350249E
12546	18225	" " " Position Pin
350249E	18225	" " " " Screw
249611	18225	" " Shaft with 452C
201713C	18225	" " " Adjusting Lock Nut (2)
249612	18232	" " " Guard
208D	18232	" " " " Screw (2)
249613	18225	" " Slide
249740	18225	" " " Operating Plate (adjustable)

No.	Plate	Name
223D	18225	Needle Vibrating Slide Operating Plate (adjustable) Screw (2)
350253C	18225	Needle Vibrating Slide Operating Plate Adjusting Screw
1607E	18225	Needle Vibrating Slide Operating Plate Adjusting Screw Nut
249614	18225	Needle Vibrating Slide Operating Plate (stationary)
228D	18225	Needle Vibrating Slide Operating Plate (stationary) Screw (2)
249615	18225	Needle Vibrating Slide Operating Rod
249616	18225	" " " " " Stud
898C	18225	" " " " Stop Screw (adjustable)
452C	18225	Needle Vibrating Slide Stop Screw (adjustable) Set Screw
39653	18220	Oscillating Rock Shaft
23494	18220	" " " Hinge Pin with 23421
23421	18220	Oscillating Rock Shaft Hinge Pin Oil Hole Plug (leather)
448C	18220	Oscillating Rock Shaft Hinge Pin Set Screw
39654	18220	Oscillating Rock Shaft complete, Nos. 4784, 23494 and 39653
4784	18220	Oscillating Rock Shaft Oil Pad
39655	18220	" Shaft
39656	18220	" " Bushing (back)
24047	18220	" " " (front)
249931	18220	" " " " Oil Tube (brass)
250451	18220	Oscillating Shaft Bushing (front) Oil Tube Plate
190D	18220	Oscillating Shaft Bushing (front) Oil Tube Plate Screw
249932	18220	Oscillating Shaft Bushing (front) Oil Tube Support Plate
39657	18220	Oscillating Shaft Crank
1253C	18220	" " " Set Screw
39658	18220	Oscillating Shaft Crank complete, Nos. 1636E, 24050, 39657 and two 1253C
19448	18220	Oscillating Shaft Crank Slide Block
226J	18220	" " " " " Cap Screw
12424	18220	Oscillating Shaft Crank Slide Block Cap Screw Washer
1035C	18220	Oscillating Shaft Crank Slide Block Screw Stud
1636E	18220	Oscillating Shaft Crank Slide Block Screw Stud Nut

No.	Plate	Name
24050	18220	Oscillating Shaft Crank Slide Block complete, Nos. 226J, 1035C, 12424 and 19448
*249890	-----	Pulley (loose) with 200584D
249891	18220	" " Ball Bearing
249892	18220	" " Bushing
200584D	18220	" " Grease Retaining Screw
249893	18220	Pulley (loose) (ball bearing) complete, Nos. 249890 to 249892
249702	18220	Pulley (tight) with 454C
40025	18220	" " Pin (2)
454C	18220	" " Set Screw
262014	18239	Sewing Safety Lock
59D	18239	" " " Hinge Screw
249947	18239	" " " Pitman (front section)
249948	18239	" " " " (rear section)
914F	18239	" " " " Screw
39541	18239	" " " " Washer
249949	18239	Sewing Safety Lock Pitman complete, Nos. 249947, 249948, two each 914F and 39541
350235D	18239	Sewing Safety Lock Pitman Hinge Screw (back)
766D	18239	Sewing Safety Lock Pitman Hinge Screw (front)
23500	18200	Shuttle Bobbin
15141	18200	" " Case Hinge, Nos. 2973, 2974 and 15140
15140	18200	Shuttle Bobbin Case Latch
2973	18200	" " " " Lever
2974	18200	" " " " Fulcrum Pin
2975	18200	" " " " Spring
592E	18200	" " " " Stop Screw
39623	18200	" " " " Position Finger
2523	18200	" " " " Rivet
249546	18200	" " " " Plate
399D	18200	" " " " Screw
40112	18200	Shuttle Bobbin Case complete, Nos. 591F, 592E, 2523, 2975, 15141, 15278 and 39623
40028	18200	Shuttle Body
40029	18200	" 1-11/16 in. diam., Nos. 23500, 40112 and 40028
23505	18220	Shuttle Driver with 462C
2269	18220	" " Pin
462C	18220	" " Set Screw
249924	18200	" Race
39969	18200	" " Back
2532	18200	" " " Position Pin
2533	18200	" " " Spring
907E	18200	" " " Screw
7326	18200	" " Cap

No.	Plate	Name
662D	18200	Shuttle Race Cap Screw
249928	18200	" " Oil Packing (felt)
249926	18200	" " Plate
203E	18200	" " Screw
249927	18200	" " Position Pin
249929	18200	Shuttle Race complete, Nos. 907E, 2533, 7326, 39969, 249546, 249924, 249926, two each 399D, 662D, 2532, 249927, 249928 and three 203E
145F	18200	Shuttle Race Screw
591F	18200	" Tension Regulating Screw
15278	18200	" " Spring
249703	18229	Starting Lever
717C	18229	" " Adjusting Screw
1520J	18229	" " " " Nut
249704	18229	" " Bracket
8582	18229	" " Dowel Pin (2)
123E	18229	" " Screw
23511	18229	" " Rod
61C	18229	" " Hinge Screw
564C	18229	" " Screw Center
58384	18229	" " " " 564C with 1508E (2)
1508E	18229	Starting Lever Screw Center Nut
23624	18229	" " Spring
39675	18229	" " " Collar with two 191C
191C	18229	" " " " Set Screw
202005	18229	" " " Washer
124F	18229	" " Stop Screw
1516J	18229	" " " Nut
249675	18225	Stitch Regulating Gear, 18 teeth
249677	18225	" " " 20 teeth
249679	18225	" " " 24 teeth
249951	18225	" " " 27 teeth
249682	18225	" " " 30 teeth
Note: No. 249682 is furnished with Machine unless another Stitch Regulating Gear is specified on order.		
249725	18225	Stitch Regulating Gear, 36 teeth
249727	18225	" " " 40 teeth
249744	18225	" " " 45 teeth
249952	18225	" " " 54 teeth
249953	18225	" " " 60 teeth
249923	18239	" " " Disengaging Lever
350337C	18239	" " " " "
Hinge Screw		
249909	18239	Stitch Regulating Gear Disengaging Slide
249910	18239	" " " " "
Bracket		



No.	Plate	Name
158E	18239	Stitch Regulating Gear Disengaging Slide Bracket Screw
95C	18239	Stitch Regulating Gear Disengaging Slide Operating Screw
99C	18239	Stitch Regulating Gear Disengaging Slide Screw
201721C	18225	Stitch Regulating Gear Guide and Lock Nut
249739	18225	" " " Pin
249912	18225	" " " Spring
249705	18229	Stop Cam with two 202330
249706	18229	" " Gear
249707	18229	" " " Guard
164D	18229	" " " " Screw (2)
249708	18229	" " " Stud
200522C	18229	" " " " Set Screw
249741	18229	" " Interlocking Rod
249709	18229	" " " " Guide with 1070C
1070C	18229	" " " " Set Screw
39988	18229	" " " " Washer
		(rawhide)
21651	18229	Stop Cam Interlocking Rod Spring
913C	18229	" " " " " Regulating Thumb Screw
1638E	18229	Stop Cam Interlocking Rod Spring Regulating Thumb Screw Nut
202330	18229	Stop Cam Oil Packing (wick)
249742	18229	" " Spring
249943	18229	" " " Cover
200083D	18229	" " " " Screw (3)
871C	18229	" " " Stop Screw
249713	18229	" " " " Block with 457C
457C	18229	" " " " " Set Screw
249922	18245	" Lever
50416C	18245	" " Hinge Screw
2102	18231	Tension (side of arm) Disc (2)
1560C	18231	" " " " Regulating Thumb N.
23519	18231	" " " " Releaser with 200F
40033	18241	" " " " " Arm with 50128E
12538	18241	Tension (side of arm) Releaser Arm Pin
50128E	18241	" " " " " " Set Screw
40051	18241	Tension (side of arm) Releaser Lever with 641C
40052	18241	Tension (side of arm) Releaser Lever Lock Pin
1352C	18241	Tension (side of arm) Releaser Lever Lock Pin Screw Bushing
40053	18241	Tension (side of arm) Releaser Lever Lock Pin Spring

No.	Plate	Name
2117C	18241	Tension (side of arm) Releaser Lever Pin
641C	18241	" " " " " " Set Screw
249880	18241	Tension (side of arm) Releaser Lever Shaft
40067	18241	Tension (side of arm) Releaser Lever Shaft Bracket
966D	18241	Tension (side of arm) Releaser Lever Shaft Bracket Screw (3)
249843	18241	Tension (side of arm) Releaser Lever Spring
1241E	18241	Tension (side of arm) Releaser Lever Spring Screw Stud (2)
717C	18241	Tension (side of arm) Releaser Lever Stop Screw
1520J	18241	Tension (side of arm) Releaser Lever Stop Screw Nut
1469C	18229	Tension (side of arm) Releaser Lever Stop Screw Stud
200F	18231	Tension (side of arm) Releaser Set Screw
23520	18231	" " " " " Shaft
40034	18231	" " " " " " Crank
679C	18231	" " " " " " " Ball Screw Stud
1520J	18231	Tension (side of arm) Releaser Shaft Crank Ball Screw Stud Nut
2269	18231	Tension (side of arm) Releaser Shaft Crank Pin
1043C	18231	Tension (side of arm) Screw Stud
350060C	18231	" " " " " " Set Screw
8238	18231	" " " " " Spring
32012	18232	" (top cover) Disc (2)
1560C	18232	" " " Regulating Thumb Nut
249685	18232	" " " Releaser
1387C	18232	" " " " Guide Screw Stud
1521E	18232	" " " " " " Nut
249686	18232	" " " " " Holder with 201F
999F	18232	" " " " " Hinge Screw
201F	18232	" " " " " Set Screw
32572	18232	" " " " Releasing Disc
39633	18232	" " " " " Lever
249688	18232	" " " " " Connection
974F	18232	" " " " " " Screw
		(back)
940F	18232	Tension (top cover) Releasing Lever Connection Screw (front)
90C	18232	Tension (top cover) Releasing Lever Hinge Screw
39635	18232	Tension (top cover) Releasing Pin
1388C	18232	" " " " " Screw Stud

No.	Plate	Name
1664E	18232	Tension (top cover) Screw Stud Nut
2103	18232	" " " Spring
39636	18232	" " " Thread Eyelet (double)
217F	18232	" " " " Screw
40035	18244	Thread (lower) Cutting Blade
40036	18244	" " " " Carrier with 40038
40037	18241	Thread (lower) Cutting Blade Carrier Lever
32C	18241	Thread (lower) Cutting Blade Carrier Lever Hinge Screw
249534	18241	Thread (lower) Cutting Blade Carrier Lever Spring
1241E	18241	Thread (lower) Cutting Blade Carrier Lever Spring Screw Stud (2)
435C	18241	Thread (lower) Cutting Blade Carrier Lever Stop Screw
1520J	18241	Thread (lower) Cutting Blade Carrier Lever Stop Screw Nut
40038	18244	Thread (lower) Cutting Blade Carrier Stud
39646	18244	" " " " Friction Plate
228F	18244	Thread (lower) Cutting Blade Friction Plate Screw (2)
240D	18244	Thread (lower) Cutting Blade Screw (2)
249831	18241	" " " " Lever
1351C	18241	" " " " Ball Screw
1520J	18241	" " " " " Nut
39921	18241	" " " " Extension
966D	18241	" " " " " Screw
1671C	18241	Thread (lower) Cutting Lever Extension Screw Nut
249845	18244	Thread (lower) Pull-off Finger
106C	18244	" " " " Guide Screw
1350C	18244	" " " " Hinge Screw
249692	18231	" (upper) Guide
228D	18231	" " " Screw (2)
23669	18231	" Guide (side of arm) (lower)
460C	18231	" " " " " Set Screw
39711	18231	" Guiding Stud (side of arm)
460C	18231	" " " " " Set Screw
39712	18232	" Retainer Holder with 462C
1664E	18232	" " " Nut
12400	18232	" " Sleeve
39713	18232	" " Spring
12402	18232	" " Stud
462C	18232	" " " Set Screw
39714	18232	Thread Retainer complete, Nos. 1664E, 12400, 12402, 39712 and 39713

No.	Plate	Name
23523	18230	Thread Take-up Crank
1036C	18220	" " " Position Screw
1258C	18220	" " " Set Screw
23524	18230	" " Lever
12166	18230	" " " Hinge Pin
23543	18230	" " " Link
249915	18230	" " " Hinge Pin with 222598
222598	18230	Thread Take-up Lever Link Hinge Pin Oil Packing (wick)
435C	18230	Thread Take-up Lever Link Hinge Pin Set Screw
4784	18230	Thread Take-up Lever Oil Pad
23525	18230	Thread Take-up Lever complete, Nos. 12166, 23524 and 23543
39652	18231	Thread Take-up Spring
39950	18231	" " " Regulator with 350060C
446C	18231	Thread Take-up Spring Regulator Set Screw

**Genuine Singer Needles should be used  
in Singer Machines.  
These Needles and their Containers  
are marked with the  
Company's Trade Mark "SIMANCO." 1**

**Needles in Containers marked  
"For Singer Machines"  
are not Singer made needles. 2**

## ACCESSORIES

No.	Plate	Name
71 x 1	18230	Needles, three each, sizes 16 and 18
23500	18200	Shuttle Bobbin (5)
249679	18225	Stitch Regulating Gear, 24 teeth
249725	18225	" " " 36 teeth
249727	18225	" " " 40 teeth
40035	18244	Thread (lower) Cutting Blade
23527	18234	Drip Pan with two wood screws 1/2 in. No. 5, R.H.B.
120346	18242	Oiler (copper plated) with 120347
120347	18242	" Spout, 8-1/2 in. long
11831	18242	Screw Driver (5 in. blade) (machine, large)
*120088	-----	" " Blade
*120090	-----	" " Handle
26026	18242	" " (machine, small) Nos. 120088 and 120090
*250521	-----	Screw Driver Blade
*225483	-----	" " Handle
250522	18242	Screw Driver (for needle set screw) com- plete, Nos. 225483 and 250521
249746	18242	Screw Driver, for Needle Bar Connecting Stud Set Screw
255513	18242	Tweezers
255540	18242	Wrench
255541	18242	"
21654	18242	"
23535	18242	"
249820	18242	"
249945	18242	"

## BED EXTENSION

40062	18243	Plate with 436C
436C	18243	Set Screw
40063	18243	Shaft
436C	18243	" Set Screw
40064	18243	Stand with 436C
40065	18243	Bed Extension complete, Nos. 40062 to 40064 and three wood screws 1-1/4 in., No. 12, R.H.B. (2)

BOBBIN WINDER  
(SWINGING AUTOMATIC, RIGHT HAND)

No.	Plate	Name
249714	18236	Base with 27916 and two 28084
15072	18236	Bobbin Position Pin
27916	18236	Brake (leather)
28084	18236	" Rivet
249715	18236	Frame
50356D	18236	" Hinge Screw
1620J	18236	" " " Nut
249716	18236	" Spring
27918	18236	Pulley
*27849	-----	Spindle
27538	18236	" 27849 with 15072, 27850 and 41828
*27850	-----	" Collar
41828	18236	" " Pin
249938	18236	Stop Latch
35D	18236	" " Hinge Screw
10249	18236	" " Spring
203E	18236	" " " Screw
7071	18236	" " " " Washer
249696	18236	Tension Bracket with 452C
249697	18236	Tension Bracket complete, Nos. 1620J, 5989 10145, 27922, 249693 and 249696
2455	18236	Tension Disc
1562J	18236	" Regulating Thumb Nut
418D	18236	" Screw Stud
10141	18236	" Spring
10145	18236	" Thread Guide
5989	18236	Tension complete, Nos. 418D, 1562J, 10141 and two 2455
27922	18236	Thread Eyelet Rod
452C	18236	" " " Set Screw
249693	18236	" Leader
1620J	18236	" " Lock Nut
249939	18236	Bobbin Winder complete, Nos. 35D, 203E, 1620J 7071, 10249, 27538, 27918, 50356D, 249714 to 249716 and 249938

## IRON BASE

No.	Plate	Name
249721	18234	Bed Frame with two each 16555,19398, four each 158E,24106,six 14010 and four wood screws 1-1/4 in.,No.12
24106	18234	Bed Frame Cushion (felt)
158E	18234	" " " Screw
19226	18234	" " Hinge Connection
19398	18234	" " " " 19226 with 211E and 19397
19397	18234	Bed Frame Hinge Connection Cap
211E	18234	" " " " " Screw
16555	18234	" " " Plate
14010	18234	" " " Rivet
150481	18234	Idler Pulley
249940	18234	" " Bracket with 443C
949E	18234	" " " Screw
126150	18234	" " " Lock Washer
249941	18234	Idler Pulley Bracket complete,Nos.150496 and 249940
150482	18234	Idler Pulley Shaft
150483	18234	" " " Ball Bearing
150484	18234	" " " " Cover
150485	18234	" " " " Gasket (cork)
330R	18234	Idler Pulley Shaft Ball Bearing Cover Screw
144D	18234	Idler Pulley Shaft Screw
443C	18234	" " " Set Screw
150496	18234	Idler Pulley and Shaft complete,Nos.144D, 150481 to 150485 and four 330R
249722	18234	Splash Guard with 201655J
39912	18234	" " Hinge
200574E	18234	" " " Screw
201655J	18234	" " Locking Screw Wing Nut
249723	18234	Bed Frame and Splash Guard complete,Nos. 949E,126150,249721,249722,249941,two 39912 and eight 200574E

## THREAD UNWINDER

No.	Plate	Name
225257	17900	Spool Rest (for two spools) (flat) with 201018C
150203	17900	Spool Rest Cushion (felt)
225388	17900	" " Rod
200383C	17900	" " " Set Screw
201018C	17900	" " Set Screw
202490	17900	" Stand with 200383C
225391	17900	Thread Guide
201696J	17900	" " Lock Nut
225326	17900	" " Position Cup
225324	17900	" " Rod with 208E and 225322
208E	17900	" " " Screw
225322	17900	" " " Washer
225258	17900	Thread Unwinder (for two spools) complete Nos.201696J,202490,225257,225324, 225326,225388,two each 150203,225391 and three wood screws 7/8 in.,No.12

## DRIVING EQUIPMENT

228320	18235	Bed Frame Cushion (felt)
228321	18235	Belt Idler Belt Guide with 361C
361C	18235	" " " " Set Screw
228322	18235	" " Pulley with 228325
228323	18235	" " " Bracket with three 355C
355C	18235	" " " " Set Screw
126910	18235	" " " " Shaft
228324	18235	" " " " Hanger with two 355C and three wood screws 1 in.,No.12
355C	18235	Belt Idler Pulley Bracket Shaft Set Screw
228325	18235	" " " Bushing
228326	18235	" " " Shaft with 858C and 203100
203100	18235	Belt Idler Pulley Shaft Oil Packing (wick)
858C	18235	Belt Idler Pulley Shaft Oil Stop Screw
355C	18235	" " " " Set Screw
228327	18235	" " " Washer (rawhide)
228328	18235	Belt Idler complete,Nos.126910,228324,two each 228321 to 228323,228326,four 228327 and Form A1127

## ACCESSORIES

No.	Plate	Name
228330	18235	Clamp Lifting Chain, 46 in. long with 39575 and 39576
39571	18235	Clamp Lifting Chain Guide Pulley
236789	18235	" " " " " Bracket
1064D	18235	" " " " " Hinge Screw
236790	18235	Clamp Lifting Chain Guide Pulley Bracket complete, Nos. 1064D, 39571, 236789 and two wood screws 1-1/4 in., No. 12, R.H.B.
39575	18235	Clamp Lifting Chain Hook (large)
39576	18235	" " " " (small)
23551	18235	" " " Screw Eye
234344	18235	Front Plank Extension (front) with two wood screws 2-1/4 in., No. 12 and three wood screws 1-3/4 in., No. 12
250408	18235	Machine Rest (high) with 232982 and two wood screws 1 in., No. 12
232982	18235	Machine Rest Cushion (leather)
228333	18235	Starting Chain Cushion Spring
39575	18235	" " Hook (large)
39576	18235	" " " (small)
23551	18235	" " Screw Eye
228347	18235	" " (lower) 10-1/2 in. long
228348	18235	" " (upper) 15-1/2 in. long
228349	18235	Starting Chain complete, Nos. 228333, 228347, 228348, two each 39575 and 39576, for 228354
14372	18235	Treadle
14373	18235	" Extension
50581R	18235	" " Screw
2718R	18235	" " Washer
17881	18235	" Shaft
14374	18235	" Spring
14375	18235	" Stand
14376	18235	Treadle complete, Nos. 2718R, 14372 to 14375 17881, 50581R and two wood screws 1-1/4 in., No. 12, F.H.
228354	18235	Driving Equipment less shaft pulley complete, Nos. 228328, 228330, 228349, 234344, 250408, two each 14376, 23551, four each 228320 and 236790

## CLAMP CHECKS

No.	Plate	Name
40109	18211	Clamp Check with 1348E
40111	18211	" " " with 1348E
40077	18211	" " " Buckle Locating Spring
40078	18211	" " " " " "
40080	18238	" " " " " "
40082	18211	" " " " " "
40084	18211	" " " " " "
40088	18211	" " " (flat) Locating Spring
40090	18211	" " " (hook) Locating Spring
201258E	18211	" " " Locating Spring Screw
40076	18211	" " " Position Plate
40079	18211	" " " " " "
40081	18238	" " " " " "
40083	18211	" " " " " "
40085	18211	" " " " " "
40087	18211	" " " (flat) Position Plate
40089	18211	" " " (hook) Position Plate
40110	18211	" " " Position Plate Position Spring
228D	18211	Clamp Check Buckle Position Plate Position Spring Screw
1348E	18211	Clamp Check Buckle Position Plate Stop Screw
40073	18211	Clamp Check Shaft Lever with 906C
2269	18211	" " " " Pin
906C	18211	" " " " Set Screw
40091	18211	Clamp Check complete, Nos. 228D, 2269, 40073 40076, 40077, 40109, 40110 and two 201258E
40092	18211	Clamp Check complete, Nos. 228D, 2269, 40073 40078, 40079, 40109, 40110 and two 201258E
40093	18238	Clamp Check complete, Nos. 228D, 2269, 40073 40080, 40081, 40109, 40110 and two 201258E
40094	18211	Clamp Check complete, Nos. 228D, 2269, 40073 40082, 40083, 40109, 40110 and two 201258E
40095	18211	Clamp Check complete, Nos. 228D, 2269, 40073 40084, 40085, 40109, 40110 and two 201258E
40096	18211	Clamp Check complete, Nos. 228D, 2269, 40073 40087, 40088, 40110, 40111 and two 201258E

## CLAMP CHECKS

No.	Plate	Name
40097	18211	Clamp Check complete, Nos. 228D, 2269, 40073 40089, 40090, 40110, 40111 and two 201258E

## MISCELLANEOUS PARTS

USED IN CONJUNCTION WITH THREAD UNWINDER

60913	17900	Spool Weight with 60914
60914	17900	" " Center Pin
225377	17900	" Wire (for small spools)
27739	17900	Thread Cone (wood)
225390	17900	" " Holder

# NUMERICAL LIST OF PARTS

Genuine Singer Needles should be used  
in Singer Machines.  
These Needles and their Containers  
are marked with the  
Company's Trade Mark "SIMANCO." 1

Needles in Containers marked  
"For Singer Machines"  
are not Singer made needles. 2

## NUMERICAL LIST OF PARTS

---

No.	Plate	Name
32C	18241	Thread (lower) Cutting Blade Carrier Lever Hinge Screw
35D	18236	Bobbin Winder Stop Latch Hinge Screw, for 249939
41C	18241	Clamp Lifting Arm Connection Hinge Screw
52C	18245	" Carrier Connecting Rod Hinge Screw
59D	18239	Sewing Safety Lock Hinge Screw
61C	18229	Starting Lever Rod Hinge Screw
90D	18239	Feed Hand Ratchet Lever Pawl Hinge Screw for 249914
90C	18232	Tension (top cover) Releasing Lever Hinge Screw
95C	18239	Stitch Regulating Gear Disengaging Slide Operating Screw
99C	18239	Stitch Regulating Gear Disengaging Slide Screw
106C	18244	Thread (lower) Pull-off Finger Guide Screw
123E	18229	Starting Lever Bracket Screw
124F	18229	" " Stop Screw
129E	18225	Needle Bar Frame Driving Gear (intermed- iate) Bracket Screw
144D	18234	Idler Pulley Shaft Screw, for 150496
145F	18200	Shuttle Race Screw
157F	18241	Clamp Lifting Arm Connection Roller and Screw Stud Bracket Screw
158E	18234	Bed Frame Cushion Screw, for 249721
158E	18239	Belt Shifter Shaft Bracket Extension Screw
158E	18239	Stitch Regulating Gear Disengaging Slide Bracket Screw
160H	18239	Feed Hand Ratchet Lever Extension Handle Screw, for 249914
161D	18236	Bobbin Winder Base Screw
161D	18240	Feed Driving Gear (intermediate) Pinion Shaft Eccentric Bushing Position Plate Screw
161D	18225	Needle Vibrating Controlling Block Screw
164D	18229	Stop Cam Gear Guard Screw
184E	18245	Feed Wheel Tripping Lever Stop Screw
190D	18232	Arm Side Cover Screw
190D	18232	" Top Cover Screw
190D	18222	Face Plate Screw (upper)
190D	18245	Feed Wheel Tripping Lever Spring Screw

## NUMERICAL LIST OF PARTS

No.	Plate	Name
190C	18230	Needle Bar Frame Pitman Adjusting Screw, for 23611
190D	18220	Oscillating Shaft Bushing (front) Oil Tube Plate Screw
191D	18239	Belt Shifter Shaft Bracket Stop Screw
191C	18208	Clamp Arm Bracket Screw
191C	18229	Starting Lever Spring Collar Set Screw, for 39675
194C	18239	Clamp Lifting Arm Connection Lock Stop Plate Support End
196F	18208	Clamp Arm Hinge Block Pin Set Screw, for 39584
199D	18238	Clamp Lifting Arm Screw
200F	18231	Tension (side of arm) Releaser Set Screw, for 23519
201F	18232	Tension (top cover) Releaser Set Screw, for 249686
203E	18236	Bobbin Winder Stop Latch Spring Screw, for 249939
203C	18245	Feed Wheel Tripping Lever Point Screw
203E	18200	Shuttle Race Plate Screw, for 249929
207F	18208	Clamp Arm Bracket Guide (right) Screw
208D	18232	Needle Vibrating Shaft Guard Screw
208E	17900	Thread Unwinder Thread Guide Rod Screw, for 225324
211E	18234	Bed Frame Hinge Connection Cap Screw, for 19398
212D	18238	Clamp Check Holder Hinge Cap Screw
217D	18222	Face Plate Screw (lower)
217F	18232	Tension (top cover) Thread Eyelet Screw
219F	18208	Clamp Arm Bracket Guide (left) Screw
220D	18245	Feed Wheel Tripping Point Screw, for 40120
223D	18225	Needle Vibrating Slide Operating Plate (adjustable) Screw
226J	18220	Oscillating Shaft Crank Slide Block Cap Screw, for 24050
228D	18238	Clamp Check Buckle Position Plate Position Spring Screw, for 40091 to 40097
228D	18225	Needle Vibrating Slide Operating Plate (stationary) Screw
228F	18244	Thread (lower) Cutting Blade Friction Plate Screw
228D	18231	Thread (upper) Guide Screw
229D	18241	Clamp Lifting Arm Connection Roller Cap Screw, for 1901
229D	18225	Intermittent Feed Wheel Driving Roller Cap Screw, for 351872
237F	18239	Belt Shifter Shaft Guide Collar Set Screw for 249861

## NUMERICAL LIST OF PARTS

No.	Plate	Name
237F	18238	Clamp Check Holder Stop Plate Screw
240D	18245	" Carrier Regulator Stud Stop Screw, for 249623
240D	18244	Thread (lower) Cutting Blade Screw
303C	18230	Needle Bar Frame Screw Center (lower)
330R	18234	Idler Pulley Shaft Ball Bearing Cover Screw, for 150496
337B	18238	Clamp Check Holder Adjusting Screw
355C	18235	Belt Idler Pulley Bracket Set Screw, for 228323
355C	18235	Belt Idler Pulley Bracket Shaft Set Screw for 228324
355C	18235	Belt Idler Pulley Shaft Set Screw, for 228323
361C	18235	Belt Idler Belt Guide Set Screw, for 228321
399D	18200	Shuttle Bobbin Case Position Plate Screw for 249929
402D	18208	Clamp Arm Screw
402D	18208	" Plate Support Screw
404D	18245	" Carrier Block Plate Screw, for 40006
404D	18208	" " Plate Screw (front)
404D	18244	Needle Plate Screw
418D	18236	Bobbin Winder Tension Screw Stud, for 5989
435C	18220	Arm Shaft Flanged Bushing (back) Set Screw
435C	18241	Thread (lower) Cutting Blade Carrier Lever Stop Screw
435C	18230	Thread Take-up Lever Link Hinge Pin Set Screw
436C	18243	Bed Extension Set Screw, for 40062
436C	18243	" " Shaft Set Screw, for 40064
443C	18234	Idler Pulley Shaft Set Screw, for 249940
446C	18230	Needle Bar Frame Regulator Hinge Stud Set Screw
446C	18231	Thread Take-up Spring Regulator Set Screw
448C	18240	Belt Shifter Trip Point Collar Set Screw, for 249869
448C	18240	Feed Driving Gear Set Screw, for 40118
448C	18220	Oscillating Rock Shaft Hinge Pin Set Screw
452C	18236	Bobbin Winder Thread Eyelet Rod Set Screw, for 249696
452C	18225	Needle Vibrating Slide Stop Screw (adjustable) Set Screw, for 249611
453C	18240	Feed Hand Ratchet Lever Collar Set Screw, for 232600
453C	18220	Intermittent Feed Wheel Driving Bevel Pinion Set Screw, for 249645
454C	18220	Pulley (tight) Set Screw, for 249702



## NUMERICAL LIST OF PARTS

No.	Plate	Name
457E	18240	Feed Driving Gear (intermediate) Set Screw, for 249847
457C	18229	Stop Cam Spring Stop Screw Block Set Screw, for 249713
458C	18240	Feed Driving Gear (intermediate) Pinion Shaft Collar Set Screw, for 249745
460C	18240	Feed Hand Ratchet Wheel Set Screw, for 39924
460C	18231	Thread Guide (side of arm) Set Screw
460C	18231	" Guiding Stud (side of arm) Set Screw
462C	18220	Shuttle Driver Set Screw, for 23505
462C	18232	Thread Retainer Stud Set Screw, for 39712
564C	18229	Starting Lever Screw Center, for 58384
591F	18200	Shuttle Tension Regulating Screw, for 40112
592E	18200	Shuttle Bobbin Case Latch Stop Screw, for 40112
625F	18208	Clamp Arm Adjusting Screw
641C	18241	Tension (side of arm) Releaser Lever Set Screw, for 40051
646F	18245	Feed Wheel Tripping Lever Screw Stud
662D	18200	Shuttle Race Cap Screw, for 249929
673F	18230	Needle Bar Frame Screw Center (upper)
679C	18231	Tension (side of arm) Releaser Shaft Crank Ball Screw Stud
690E	18239	Clamp Lifting Arm Connection Lock Bracket Screw
690D	18241	Clamp Lifting Arm Connection Lock Trip Lever Pinch Screw, for 249760
704C	18241	Clamp Lifting Arm Connection Screw, for 249866
717C	18229	Starting Lever Adjusting Screw
717C	18241	Tension (side of arm) Releaser Lever Stop Screw
748E	18222	Arm Screw (back)
756E	18240	Belt Shifter Trip Point Screw, for 249869
756D	18244	Clamp Carrier Guide (left) Screw (long), for 39605
766D	18239	Sewing Safety Lock Pitman Hinge Screw (front)
794E	18230	Needle Bar Connecting Link Adjusting Screw, for 23476
858C	18235	Belt Idler Pulley Shaft Oil Stop Screw, for 228326
858C	18220	Needle Bar Crank Set Screw, for 23477
868E	18222	Arm Screw (front)
871C	18229	Stop Cam Spring Stop Screw
896E	18220	Crank Connecting Rod Cap Screw, for 24028
898C	18225	Needle Vibrating Slide Stop Screw (adjustable)

## NUMERICAL LIST OF PARTS

No.	Plate	Name
904F	18230	Needle Set Screw, for 39857
906C	18238	Clamp Check Shaft Lever Set Screw, for 40073
907E	18200	Shuttle Race Back Spring Screw, for 249929
908C	18220	Crank Connecting Rod Hinge Screw
913C	18229	Stop Cam Interlocking Rod Spring Regulating Thumb Screw
914F	18244	Clamp Carrier Slide Guide Screw
914F	18239	Sewing Safety Lock Pitman Screw, for 249949
940F	18239	Clamp Lifting Arm Connection Lock Hinge Screw
940F	18232	Tension (top cover) Releasing Lever Connection Screw (front)
949E	18234	Idler Pulley Bracket Screw, for 249723
966D	18241	Tension (side of arm) Releaser Lever Shaft Bracket Screw
966D	18241	Thread (lower) Cutting Lever Extension Hinge Screw
974F	18232	Tension (top cover) Releasing Lever Connection Screw (back)
999F	18232	Tension (top cover) Releaser Holder Hinge Screw
1021E	18230	Needle Bar Connecting Link Cap Screw
1034F	18232	Intermittent Feed Wheel Driving Roller Oiling Felt Holder Screw
1035C	18220	Oscillating Shaft Crank Slide Block Screw Stud, for 24050
1036C	18220	Thread Take-up Crank Position Screw, for 23477
1038C	18230	Needle Bar Frame Regulator Adjusting Screw
1042C	18230	Needle Bar Frame Pitman Hinge Screw
1043C	18231	Tension (side of arm) Screw Stud
1064D	18235	Clamp Lifting Chain Guide Pulley Hinge Screw, for 236790
1065C	18220	Needle Bar Crank Position Screw, for 23477
1069D	18220	Arm Shaft Screw
1070C	18229	Stop Cam Interlocking Rod Guide Set Screw for 249709
1149C	18225	Needle Bar Frame Driving Gear (intermediate) Stud Set Screw, for 249669
1178C	18240	Feed Driving Gear (intermediate) Bracket Position Lever Clamping Screw
1230F	18244	Clamp Carrier Guide (right) Screw
1231F	18208	" " Plate Screw (back)
1232C	18245	" " Regulator Hinge Screw
1235F	18222	Bed Oil Guard Screw
1235F	18244	Clamp Plate Screw

## NUMERICAL LIST OF PARTS

No.	Plate	Name
1241E	18241	Tension (side of arm) Releaser Lever Spring Screw Stud
1241E	18241	Thread (lower) Cutting Blade Carrier Lever Spring Screw Stud
1253C	18220	Oscillating Shaft Crank Set Screw, for 39658
1258C	18220	Thread Take-up Crank Set Screw, for 23477
1294C	18208	Clamp Spring Bushing Position Stud
1296C	18238	" Check Screw
1296C	18238	" " Stop Screw
1341C	18230	Needle Bar Connecting Stud Set Screw, for 39601
1345D	18244	Clamp Carrier Guide (left) Screw (short), for 39605
1346D	18244	Clamp Carrier Slide Screw
1348E	18238	" Check Buckle Position Plate Stop Screw, for 40109 and 40111
1350C	18244	Thread (lower) Pull-off Finger Hinge Screw
1351C	18241	Thread (lower) Cutting Lever Ball Screw
1352C	18241	Tension (side of arm) Releaser Lever Lock Pin Screw Bushing
1387C	18232	Tension (top cover) Releaser Guide Screw Stud
1388C	18232	Tension (top cover) Screw Stud
1396E	18225	Intermittent Feed Wheel Driving Bevel Gear Bracket Screw
1449H	18239	Feed Hand Ratchet Lever Pawl Spring Screw for 249914
1469C	18229	Tension (side of arm) Releaser Lever Stop Screw Stud
1508E	18229	Starting Lever Screw Center Nut, for 58384
1517J	18230	Needle Bar Frame Screw Center (upper) Nut
1518J	18229	Starting Lever Stop Screw Nut
1520J	18245	Clamp Carrier Regulator Roller and Screw Stud Nut, for 1960
1520J	18241	Clamp Lifting Arm Connection Hinge Screw Nut
1520J	18229	Starting Lever Adjusting Screw Nut
1520J	18241	Tension (side of arm) Releaser Lever Stop Screw Nut
1520J	18231	Tension (side of arm) Releaser Shaft Crank Ball Screw Stud Nut
1520J	18241	Thread (lower) Cutting Blade Carrier Lever Stop Screw Nut
1520J	18241	Thread (lower) Cutting Lever Ball Screw Nut
1521E	18232	Tension (top cover) Releaser Guide Screw Stud Nut
1547J	18208	Clamp Arm Adjusting Screw Nut

## NUMERICAL LIST OF PARTS

No.	Plate	Name
1547J	18230	Needle Bar Frame Pitman Hinge Screw Nut
1550J	18208	Clamp Spring Bushing Position Stud Nut
1560C	18231	Tension (side of arm) Regulating Thumb Nut
1560C	18232	Tension (top cover) Regulating Thumb Nut
1562J	18236	Bobbin Winder Tension Regulating Thumb Nut, for 5989
1607E	18225	Needle Vibrating Slide Operating Plate Adjusting Screw Nut
1608C	18230	Needle Bar Frame Screw Center (lower) Nut
1619E	18220	Crank Connecting Rod Hinge Screw Nut
1620J	18236	Bobbin Winder Frame Hinge Screw Nut, for 249697
1620J	18236	Bobbin Winder Thread Leader Lock Nut, for 249939
1620E	18245	Feed Wheel Tripping Lever Hinge Screw Nut
1636E	18220	Oscillating Shaft Crank Slide Block Screw Stud Nut, for 39658
1638E	18229	Stop Cam Interlocking Rod Spring Regulating Thumb Screw Nut
1659C	18208	Clamp Pressure Regulating Thumb Nut
1664E	18232	Tension (top cover) Screw Stud Nut
1664E	18232	Thread Retainer Holder Nut, for 29714
1671C	18245	Clamp Carrier Regulator Stud Nut
1671C	18241	Thread (lower) Cutting Lever Extension Hinge Screw Nut
1698C	18230	Needle Bar Frame Regulator Adjusting Screw Nut
1901	18241	Clamp Lifting Arm Connection Roller and Screw Stud with 229D and 12424
1960	18245	Clamp Carrier Regulator Roller and Screw Stud with 1520J, for 249623
2102	18231	Tension (side of arm) Disc
2103	18232	" (top cover) Spring
2117C	18241	" (side of arm) Releaser Lever Pin
2269	18239	Belt Shifter Shaft Guide Collar Position Pin
2269	18238	Clamp Check Shaft Lever Pin, for 40091 to 40097
2269	18220	Shuttle Driver Pin
2269	18231	Tension (side of arm) Releaser Shaft Crank Pin
2455	18236	Bobbin Winder Tension Disc, for 5989
2523	18200	Shuttle Bobbin Case Position Finger Rivet for 40112
2532	18200	Shuttle Race Back Position Pin, for 249929
2533	18200	" " " Spring, for 249929
2718R	18235	Treadle Extension Washer, for 14376
2973	18200	Shuttle Bobbin Case Latch Lever, for 15141

## NUMERICAL LIST OF PARTS

No.	Plate	Name
2974	18200	Shuttle Bobbin Case Latch Lever Fulcrum Pin, for 15141
2975	18200	Shuttle Bobbin Case Latch Spring, for 40112
3012	18240	Feed Hand Ratchet Wheel Pin
4784	18220	Oscillating Rock Shaft Oil Pad, for 39654
4784	18230	Thread Take-up Lever Oil Pad, for 23478
5989	18236	Bobbin Winder Tension complete, Nos. 418D, 1562J, 10141 and two 2455, for 249697
7070	18230	Needle Bar Frame Regulator Adjusting Screw Sleeve
7071	18236	Bobbin Winder Stop Latch Spring Screw Washer, for 249939
7071	18230	Needle Bar Frame Pitman Adjusting Screw Washer, for 23611
7326	18200	Shuttle Race Cap, for 249929
8238	18231	Tension (side of arm) Spring
8582	18222	Arm Dowel Pin
8582	18229	Starting Lever Bracket Dowel Pin
8800	18225	Needle Vibrating Controlling Block Screw Washer
10141	18236	Bobbin Winder Tension Spring, for 5989
10145	18236	" " " Thread Guide, for 249697
10249	18236	Bobbin Winder Stop Latch Spring, for 249939
11831	18242	Screw Driver (5 in. blade) (machine, large)
12166	18230	Thread Take-up Lever Hinge Pin, for 23525
12400	18232	" Retainer Sleeve, for 39714
12402	18232	" Stud, for 39714
12424	18241	Clamp Lifting Arm Connection Roller Cap Screw Washer, for 1901
12424	18220	Oscillating Shaft Crank Slide Block Cap Screw Washer, for 24050
12538	18241	Tension (side of arm) Releaser Arm Pin
12546	18225	Intermittent Feed Wheel Position Pin, for 249946
12546	18225	Needle Vibrating Gear Position Pin, for 249946
14010	18234	Bed Frame Hinge Plate Rivet, for 249721 Nos. 14372 to 14375, for 14376
14372	18235	Treadle
14373	18235	" Extension
14374	18235	" Spring
14375	18235	" Stand
14376	18235	Treadle complete, Nos. 2718R, 14372 to 14375 17881, 50581R and two wood screws 1-1/4 in., No. 12, F.H., for 228354
15072	18236	Bobbin Winder Bobbin Position Pin, for 27538

## NUMERICAL LIST OF PARTS

No.	Plate	Name
15140	18200	Shuttle Bobbin Case Latch, for 15141
15141	18200	" " " Hinge, Nos. 2973, 2974 and 15140, for 40112
15278	18200	Shuttle Tension Spring, for 40112
16555	18234	Bed Frame Hinge Plate, for 249721
17881	18235	Treadle Shaft, for 14376
19226	18234	Bed Frame Hinge Connection, for 19398
19397	18234	" " " " Cap, for 19398
19398	18234	" " " " 19226 with 211E and 19397, for 249721
19448	18220	Oscillating Shaft Crank Slide Block, for 24050
21651	18229	Stop Cam Interlocking Rod Spring
21654	18242	Wrench
23379	18208	Clamp Arm Hinge Block
23380	18208	" " " " Pin
23384	18245	" Carrier Connecting Rod
23389	18225	Intermittent Feed Wheel Driving Roller Cap Screw Washer, for 351872
23390	18241	Clamp Lifting Arm Connection Screw Washer, for 249866
23392	18244	Clamp Carrier Slide Guide (left)
23393	18244	" " " " (right)
23404	18208	" Spring
23421	18220	Oscillating Rock Shaft Hinge Pin Oil Hole Plug (leather), for 23494
23435	18245	Feed Wheel Tripping Lever Spring
23476	18230	Needle Bar Connecting Link with 794E
23477	18220	" " Crank with 858C, 1036C, 1065C and 1258C
23478	18230	Needle Bar Frame with 4784
23494	18220	Oscillating Rock Shaft Hinge Pin with 23421, for 39654
23500	18200	Shuttle Bobbin, for 40029
23505	18220	" Driver with 462C
23511	18229	Starting Lever Rod
23519	18231	Tension (side of arm) Releaser with 200F
23520	18231	" " " " Shaft
23523	18230	Thread Take-up Crank
23524	18230	" " Lever, for 23525
23525	18230	Thread Take-up Lever complete, Nos. 12166, 23524 and 23543
23527	18234	Drip Pan with two wood screws 1/2 in., No. 5, R.H.B.
23535	18242	Wrench
23543	18230	Thread Take-up Lever Link, for 23525
23551	18235	Clamp Lifting Chain Screw Eye, for 228354
23551	18235	Starting Chain Screw Eye, for 228354
23554	18241	Belt Shifter Shaft Bracket Spring
23573	18208	Clamp Plate Support

## NUMERICAL LIST OF PARTS

No.	Plate	Name
40006	18245	Clamp Carrier Block with 40007 and four 404D
40007	18245	Clamp Carrier Block Plate, for 40006
40016	18241	" Lifting Arm Connection Roller and Screw Stud Bracket
40020	18208	Clamp Plate
40025	18240	Feed Driving Gear Position Pin
40025	18220	Intermittent Feed Wheel Driving Bevel Pinion Position Pin
40025	18220	Pulley (tight) Pin
40028	18200	Shuttle Body, for 40029
40029	18200	" 1-11/16 in. diam., Nos. 23500, 40112 and 40028
40033	18241	Tension (side of arm) Releaser Arm with 50128E
40034	18231	Tension (side of arm) Releaser Shaft Crank
40035	18244	Thread (lower) Cutting Blade
40036	18244	" " " " Carrier with 40038
40037	18241	Thread (lower) Cutting Blade Carrier Lever
40038	18244	Thread (lower) Cutting Blade Carrier Stud, for 40036
40051	18241	Tension (side of arm) Releaser Lever with 641C
40052	18241	Tension (side of arm) Releaser Lever Lock Pin
40053	18241	Tension (side of arm) Releaser Lever Lock Pin Spring
		Nos. 40062 to 40064, for 40065
40062	18243	Bed Extension Plate with 436C
40063	18243	" " Shaft
40064	18243	" " Stand with 436C
40065	18243	Bed Extension complete, Nos. 40062 to 40064 and three wood screws 1-1/4 in., No. 12, R.H.B.
40067	18241	Tension (side of arm) Releaser Lever Shaft Bracket
40073	18238	Clamp Check Shaft Lever with 906C, for 40091 to 40097
40075	18208	Clamp Carrier Plate
40076	18211	" Check Buckle Position Plate, for 40091
40077	18211	Clamp Check Buckle Locating Spring, for 40091
40078	18211	Clamp Check Buckle Locating Spring, for 40092
40079	18211	Clamp Check Buckle Position Plate, for 40092

## NUMERICAL LIST OF PARTS

No.	Plate	Name
40080	18238	Clamp Check Buckle Locating Spring, for 40093
40081	18238	Clamp Check Buckle Position Plate, for 40093
40082	18211	Clamp Check Buckle Locating Spring, for 40094
40083	18211	Clamp Check Buckle Position Plate, for 40094
40084	18211	Clamp Check Buckle Locating Spring, for 40095
40085	18211	Clamp Check Buckle Position Plate, for 40095
40087	18211	Clamp Check Buckle (flat) Position Plate, for 40096
40088	18211	Clamp Check Buckle (flat) Locating Spring for 40096
40089	18211	Clamp Check Buckle (hook) Position Plate, for 40097
40090	18211	Clamp Check Buckle (hook) Locating Spring for 40097
40091	18211	Clamp Check complete, Nos. 228D, 2269, 40073, 40076, 40077, 40109, 40110 and two 201258E
40092	18211	Clamp Check complete, Nos. 228D, 2269, 40073, 40078, 40079, 40109, 40110 and two 201258E
40093	18238	Clamp Check complete, Nos. 228D, 2269, 40073, 40080, 40081, 40109, 40110 and two 201258E
40094	18211	Clamp Check complete, Nos. 228D, 2269, 40073, 40082, 40083, 40109, 40110 and two 201258E
40095	18211	Clamp Check complete, Nos. 228D, 2269, 40073, 40084, 40085, 40109, 40110 and two 201258E
40096	18211	Clamp Check complete, Nos. 228D, 2269, 40073, 40087, 40088, 40110, 40111 and two 201258E
40097	18211	Clamp Check complete, Nos. 228D, 2269, 40073, 40089, 40090, 40110, 40111 and two 201258E
40109	18238	Clamp Check with 1348E, for 40091 to 40095
40110	18238	" " Buckle Position Plate Position Spring, for 40091 to 40097
40111	18211	Clamp Check with 1348E, for 40096 and 40097
40112	18200	Shuttle Bobbin Case complete, Nos. 591F, 592E, 2523, 2975, 15141, 15278 and 39623, for 40029
40118	18240	Feed Driving Gear with two 448C

## NUMERICAL LIST OF PARTS

No.	Plate	Name
40119	18240	Feed Driving Gear (intermediate) Pinion Shaft
40120	18245	Feed Wheel with 249641 and two 220D
40122	18225	Needle Vibrating Controlling Block
40131	18244	" Plate
40139	18240	Belt Shifter Trip Point Collar 249869 less 23466 and 175E
41828	18236	Bobbin Winder Spindle Collar Pin, for 27538
50128E	18241	Tension (side of arm) Releaser Arm Set Screw, for 40033
50356D	18236	Bobbin Winder Frame Hinge Screw, for 249939
50416C	18245	Stop Lever Hinge Screw
50581R	18235	Treadle Extension Screw, for 14376
51047E	18239	Belt Shifter Shaft Bracket Extension Pinch Screw, for 249858
58384	18229	Starting Lever Screw Center 564C with 1508E
60913	17900	Thread Unwinder Spool Weight with 60914
60914	17900	" " " " Center Pin, for 60913
*120088	-----	Screw Driver Blade, for 26026
*120090	-----	" " Handle, for 26026
120346	18242	Oiler (copper plated) with 120347
120347	18242	" Spout, 8-1/2 in. long, for 120346
126150	18234	Idler Pulley Bracket Screw Lock Washer, for 249723
126910	18235	Belt Idler Pulley Bracket Shaft, for 228328
150203	17900	Thread Unwinder Spool Rest Cushion (felt) for 225258
		Nos. 150481 to 150485, for 150496
150481	18234	Idler Pulley
150482	18234	" " Shaft
150483	18234	" " " Ball Bearing
150484	18234	" " " " " Cover
150485	18234	" " " " " " Gasket (cork)
150496	18234	Idler Pulley and Shaft complete, Nos. 144D, 150481 to 150485 and four 330R, for 249941
200068H	18225	Needle Bar Frame Driving Gear Screw
200083D	18229	Stop Cam Spring Cover Screw
200383C	17900	Thread Unwinder Spool Rest Rod Set Screw, for 202490
200502B	18220	Arm Shaft Bushing Oil Packing Thumb Screw
200522C	18229	Stop Cam Gear Stud Set Screw
200574E	18234	Splash Guard Hinge Screw, for 249723

## NUMERICAL LIST OF PARTS

No.	Plate	Name
200584D	18220	Pulley (loose) Grease Retaining Screw, for 249890
201018C	17900	Thread Unwinder Spool Rest Set Screw, for 225257
201258E	18238	Clamp Check Buckle Locating Spring Screw, for 40091 to 40097
201295E	18239	Clamp Lifting Arm Connection Lock Spring Screw Stud
201655J	18234	Splash Guard Locking Screw Wing Nut, for 249722
201668E	18240	Feed Wheel Clamping Nut
201696J	17900	Thread Unwinder Thread Guide Lock Nut, for 225258
201713C	18225	Needle Vibrating Shaft Adjusting Lock Nut
201715C	18225	" Bar Frame Driving Gear (intermediate) Clamping Nut
201721C	18225	Stitch Regulating Gear Guide and Lock Nut
201891	18225	Intermittent Feed Wheel Driving Roller, for 351872
202005	18229	Starting Lever Spring Washer
202260	18220	Arm Shaft Bushing Oil Packing (wick)
202330	18229	Stop Cam Oil Packing (wick), for 249705
202490	17900	Thread Unwinder Spool Stand with 200383C, for 225258
203100	18235	Belt Idler Pulley Shaft Oil Packing (wick), for 228326
222598	18230	Thread Take-up Lever Link Hinge Pin Oil Packing (wick), for 249915
225257	17900	Thread Unwinder Spool Rest (for two spools) (flat) with 201018C, for 225258
225258	17900	Thread Unwinder (for two spools) complete Nos. 201696J, 202490, 225257, 225324, 225326, 225388, two each 150203, 225391 and three wood screws 7/8 in., No. 12
225322	17900	Thread Unwinder Thread Guide Rod Washer, for 225324
225324	17900	Thread Unwinder Thread Guide Rod with 208E and 225322, for 225258
225326	17900	Thread Unwinder Thread Guide Position Cup for 225258
225377	17900	Thread Unwinder Spool Wire, (for small spools)
225388	17900	Thread Unwinder Spool Rest Rod, for 225258
225390	17900	" " Thread Cone Holder
225391	17900	" " " Guide, for 225258
*225483	-----	Screw Driver Handle, for 250522
228320	18235	Bed Frame Cushion (felt), for 228354
		Nos. 228321 to 228323, for 228328
228321	18235	Belt Idler Belt Guide with 361C
228322	18235	" " Pulley with 228325

## NUMERICAL LIST OF PARTS

No.	Plate	Name
228323	18235	Belt Idler Pulley Bracket with three 355C
228324	18235	" " " " Shaft Hanger with two 355C and three wood screws 1 in., No.12, for 228328
228325	18235	Belt Idler Pulley Bushing, for 228322
228326	18235	" " " " Shaft with 858C and 203100, for 228328
228327	18235	Belt Idler Pulley Washer (rawhide), for 228328
228328	18235	Belt Idler complete, Nos. 126910, 228324 two each 228321 to 228323, 228326, four 228327 and Form A1127, for 228354
228330	18235	Clamp Lifting Chain, 46 in. long with 39575 and 39576, for 228354
228333	18235	Starting Chain Cushion Spring, for 228349
228347	18235	" " (lower) 10-1/2 in. long, for 228349
228348	18235	Starting Chain (upper) 15-1/2 in. long, for 228349
228349	18235	Starting Chain complete, Nos. 228333, 228347 228348, two each 39575 and 39576, for 228354
228354	18235	Driving Equipment less shaft pulley com- plete, Nos. 228328, 228330, 228349, 234344, 250408, two each 14376, 23551, four each 228320 and 236790
232065	18239	Clamp Lifting Arm Connection Lock Spring
232131	18240	Feed Driving Gear (intermediate) Bracket Position Lever Clamping Screw Washer
232382	18239	Feed Hand Ratchet Lever Pawl Spring Pin, for 249907
232600	18240	Feed Hand Ratchet Lever Collar with two 453C
232719	18240	Feed Driving Gear (intermediate) Position Pin
232982	18235	Machine Rest Cushion (leather), for 250408
234344	18235	Front Plank Extension (front) with two wood screws 2-1/4 in., No.12 and three wood screws 1-3/4 in., No.12, for 228354
235356	18225	Needle Bar Frame Driving Gear (intermed- iate) Pin, for 249671
236789	18235	Clamp Lifting Chain Guide Pulley Bracket, for 236790
236790	18235	Clamp Lifting Chain Guide Pulley Bracket complete, Nos. 1064D, 39571, 236789 and two wood screws 1-1/4 in., No.12, R.H.B. for 228354
249534	18241	Thread (lower) Cutting Blade Carrier Lever Spring
249546	18200	Shuttle Bobbin Case Position Plate, for 249929

## NUMERICAL LIST OF PARTS

No.	Plate	Name
*249601	-----	Arm with 24081
249602	18220	" Shaft
249604	18232	" Top Cover (left)
249605	18232	" " " (right)
249611	18225	Needle Vibrating Shaft with 452C
249612	18232	" " " " Guard
249613	18225	" " " Slide
249614	18225	" " " Operating Plate (sta- tionary)
249615	18225	Needle Vibrating Slide Operating Rod
249616	18225	" " " " " Stud
*249620	-----	Bed
249622	18220	Arm Shaft Flanged Bushing (back)
249623	18245	Clamp Carrier Regulator with 240D, 1960 and 39583
249631	18222	Face Plate
249639	18240	Feed Wheel Shaft
249640	18245	" " Tripping Lever
249641	18245	" " " Point, for 40120
*249642	-----	Intermittent Feed Wheel with two 350249E, for 249946
*249644	18225	Intermittent Feed Wheel Driving Bevel Gear Bracket, for 249944
249645	18220	Intermittent Feed Wheel Driving Bevel Pinion with two 453C
*249646	-----	Intermittent Feed Wheel Shaft, for 249946
249666	18230	Needle Bar Frame Connection
249667	18225	" " " Driving Gear
249668	18230	" " " Regulator Hinge Stud
249669	18225	" " " Driving Gear (intermed- iate) Bracket with 1149C
249670	18225	Needle Bar Frame Driving Gear (intermed- iate) Stud
249671	18225	Needle Bar Frame Driving Gear (intermed- iate) (large) with 235356
249672	18225	Needle Bar Frame Driving Gear (intermed- iate) (small)
249673	18230	Needle Bar Frame Regulator
*249674	-----	" Vibrating Gear with two 350249E, for 249946
249675	18225	Stitch Regulating Gear, 18 teeth
249677	18225	" " " 20 teeth
249679	18225	" " " 24 teeth
249682	18225	" " " 30 teeth
249685	18232	Tension (top cover) Releaser
249686	18232	" " " " Holder with 201F
249688	18232	" " " Releasing Lever Con- nection
249692	18231	Thread (upper) Guide
249693	18236	Bobbin Winder Thread Leader, for 249697

## NUMERICAL LIST OF PARTS

No.	Plate	Name
249696	18236	Bobbin Winder Tension Bracket with 452C, for 249697
249697	18236	Bobbin Winder Tension Bracket complete, Nos. 1620J, 5989, 10145, 27922, 249693 and 249696
249702	18220	Pulley (tight) with 454C
249703	18229	Starting Lever
249704	18229	" " Bracket
249705	18229	Stop Cam with two 202330
249706	18229	" " Gear
249707	18229	" " Guard
249708	18229	" " Stud
249709	18229	" " Interlocking Rod Guide with 1070C
249713	18229	Stop Cam Spring Stop Screw Block with 457C
		Nos. 249714 to 249716, for 249939
249714	18236	Bobbin Winder Base with 27916 and two 28084
249715	18236	Bobbin Winder Frame
249716	18236	" " Spring
249721	18234	Bed Frame with two each 16555, 19398, four each 158E, 24106, six 14010 and four wood screws 1-1/4 in., No. 12, for 249723
249722	18234	Splash Guard with 201655J, for 249723
249723	18234	Bed Frame and Splash Guard complete, Nos. 949E, 126150, 249721, 249722, 249941, two 39912 and eight 200574E
249725	18225	Stitch Regulating Gear, 36 teeth
249727	18225	" " " 40 teeth
249739	18225	" " " Pin
249740	18225	Needle Vibrating Slide Operating Plate (adjustable)
249741	18229	Stop Cam Interlocking Rod
249742	18229	" " Spring
249744	18225	Stitch Regulating Gear, 45 teeth
249745	18240	Feed Driving Gear (intermediate) Pinion Shaft Collar with two 458C
249746	18242	Screw Driver, for Needle Bar Connecting Stud Set Screw
249749	18238	Clamp Check Holder Adjusting Screw Friction Plate
249759	18241	Clamp Lifting Arm Connection (lower section), for 249866
249760	18241	Clamp Lifting Arm Connection Lock Trip Lever with 690D
249781	18239	Clamp Lifting Arm Connection Lock Bracket
249805	18239	" " " " " Stop Plate
249820	18242	Wrench

No.	Plate	Name
249831	18241	Thread (lower) Cutting Lever
249843	18241	Tension (side of arm) Releaser Lever Spring
249844	18240	Feed Driving Gear (intermediate) Pinion Shaft Eccentric Bushing Position Plate
249845	18244	Thread (lower) Pull-off Finger
249847	18240	Feed Driving Gear (intermediate) with two 457E
249849	18240	Feed Driving Gear (intermediate) Pinion Shaft Eccentric Bushing
249850	18240	Feed Driving Gear (intermediate) Bracket
249853	18239	Belt Shifter with 350287C
249854	18239	" " Operating Collar with 350329C
249855	18229	" " " Rod
249856	18239	" " Shaft
249857	18239	" " " Bracket
249858	18239	" " " " Extension with 51047E
249860	18239	Belt Shifter Shaft Bracket Stop
249861	18239	" " " Guide Collar with 237F
249862	18239	" " " Spring
249863	18240	" " Trip Point, for 249869
249864	18239	" " " Stud
249865	18241	Clamp Lifting Arm Connection (upper section), for 249866
249866	18241	Clamp Lifting Arm Connection complete, Nos. 704C, 23390, 249759 and 249865
249867	18239	Clamp Lifting Arm Connection Lock
249868	18245	Feed Wheel Tripping Lever Point
249869	-----	Belt Shifter Trip Point Collar with 175E, 756E, 23466, 249863 and two 448C, for 40139
249880	18241	Tension (side of arm) Releaser Lever Shaft
249883	18222	Bed Oil Guard Oil Tube (brass), for 262002
		Nos. 249890 to 249892, for 249893
*249890	-----	Pulley (loose) with 200584D
249891	18220	" " Ball Bearing
249892	18220	" " Bushing
249893	18220	Pulley (loose) (ball bearing) complete, Nos. 249890 to 249892
249895	18222	Clamp Carrier Regulator Slide
249904	18239	Feed Driving Gear (intermediate) Bracket Position Lever
		Nos. 249905 to 249907, for 249914
249905	18239	Feed Hand Ratchet Lever
249906	18239	" " " " Extension Handle
249907	18239	" " " " Pawl with 232382
249909	18239	Stitch Regulating Gear Disengaging Slide

## NUMERICAL LIST OF PARTS

No.	Plate	Name
249910	18239	Stitch Regulating Gear Disengaging Slide Bracket
249912	18225	Stitch Regulating Gear Spring
249914	18239	Feed Hand Ratchet Lever complete, Nos. 90D, 160H, 1449H, 249905 to 249907 and 250058
249915	18230	Thread Take-up Lever Link Hinge Pin with 222598
249922	18245	Stop Lever
249923	18239	Stitch Regulating Gear Disengaging Lever
249924	18200	Shuttle Race, for 249929 Nos. 249926 to 249928, for 249929
249926	18200	Shuttle Race Plate
249927	18200	" " Position Pin
249928	18200	" " Oil Packing (felt)
249929	18200	Shuttle Race complete, Nos. 907E, 2533, 7326, 39969, 249546, 249924, 249926 two each 399D, 662D, 2532, 249927, 249928 and three 203E
249931	18220	Oscillating Shaft Bushing (front) Oil Tube (brass)
249932	18220	Oscillating Shaft Bushing (front) Oil Tube Support Plate
249933	18220	Crank Connecting Rod Hinge Screw Oil Tube (brass)
249934	18232	Intermittent Feed Wheel Driving Roller Oiling Felt
249935	18232	Intermittent Feed Wheel Driving Roller Oiling Felt Holder
*249936	18225	Intermittent Feed Wheel Driving Bevel Gear with two 351872, for 249944
249937	18225	Intermittent Feed Wheel Driving Roller Stud, for 351872
249938	18236	Bobbin Winder Stop Latch, for 249939
249939	18236	Bobbin Winder complete, Nos. 35D, 203E, 1620J 7071, 10249, 27538, 27918, 50356D, 249714 to 249716 and 249938
249940	18234	Idler Pulley Bracket with 443C, for 249941
249941	18234	Idler Pulley Bracket complete, Nos. 150496 and 249940, for 249723
249943	18229	Stop Cam Spring Cover
249944	18225	Intermittent Feed Wheel Driving Bevel Gear Bracket 249644 with 249936 and 350230C
249945	18242	Wrench
249946	18225	Intermittent Feed Wheel Shaft 249646 with 249642, 249674 and two 12546
249947	18239	Sewing Safety Lock Pitman (front section) for 249949
249948	18239	Sewing Safety Lock Pitman (rear section), for 249949

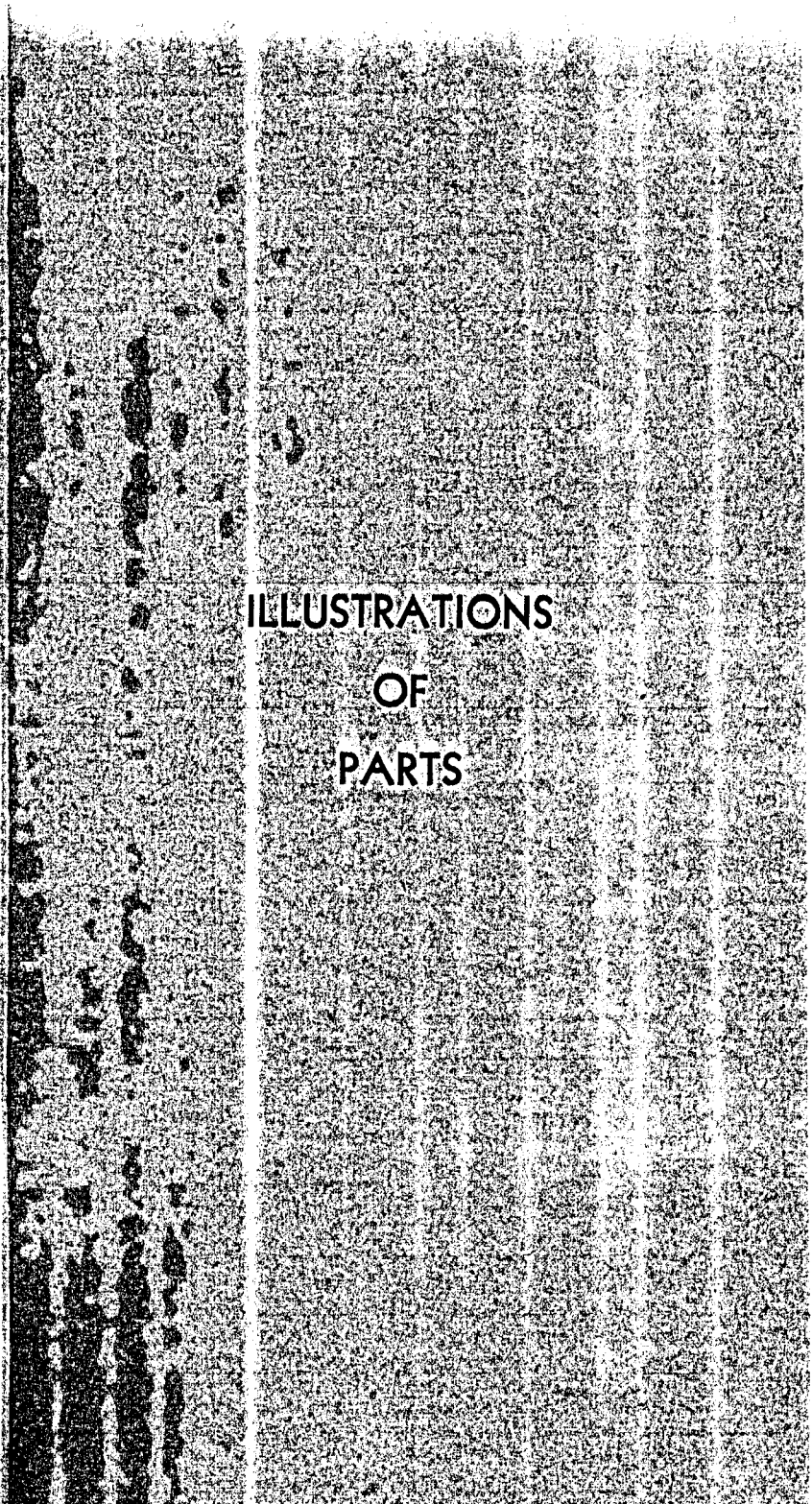
## NUMERICAL LIST OF PARTS

No.	Plate	Name
249949	18239	Sewing Safety Lock Pitman complete, Nos. 249947, 249948 and two each 914F and 39541
249951	18225	Stitch Regulating Gear, 27 teeth
249952	18225	" " " 54 teeth
249953	18225	" " " 60 teeth
250058	18239	Feed Hand Ratchet Lever Pawl Spring, for 249914
250397	18225	Needle Bar Frame Driving Gear (intermediate) Bracket Position Pin
250408	18235	Machine Rest (high) with 232982 and two wood screws 1 in., No. 12, for 228354
250444	18245	Feed Wheel Tripping Lever Screw Stud Washer
250451	18220	Oscillating Shaft Bushing (front) Oil Tube Plate
*250521	-----	Screw Driver Blade, for 250522
250522	18242	Screw Driver (for needle set screw) complete, Nos. 225483 and 250521
255513	18242	Tweezers
255540	18242	Wrench
255541	18242	"
262002	18222	Bed Oil Guard with 249883
262014	18239	Sewing Safety Lock
350060C	18231	Tension (side of arm) Screw Stud Set Screw, for 39950
350076C	18245	Clamp Carrier Regulator Stud (to regulate length of tack)
350230C	18225	Intermittent Feed Wheel Driving Bevel Gear Cap Screw, for 249944
350235D	18239	Sewing Safety Lock Pitman Hinge Screw (back)
350237C	18245	Feed Wheel Tripping Lever Hinge Screw
350249E	18225	Intermittent Feed Wheel Position Screw, for 249642
350249E	18225	Needle Vibrating Gear Position Screw, for 249674
350251C	18230	Needle Bar Frame Connection Hinge Screw
350253C	18225	" Vibrating Slide Operating Plate Adjusting Screw
350254F	18230	Needle Bar Frame Connection Cap Screw
350287C	18229	Belt Shifter Operating Rod Set Screw
350287C	18239	" " Set Screw, for 249853
350288C	18239	" " Shaft Bracket Hinge Screw
350329C	18239	" " Operating Collar Set Screw, for 249854
350337C	18239	Stitch Regulating Gear Disengaging Lever Hinge Screw
350338E	18241	Belt Shifter Shaft Bracket Spring Screw Stud (lower)



## NUMERICAL LIST OF PARTS

No.	Plate	Name
350339E	18239	Belt Shifter Shaft Bracket Spring Screw Stud (upper)
351872	18225	Intermittent Feed Wheel Driving Roller 201891 with 229D, 23389 and 249937



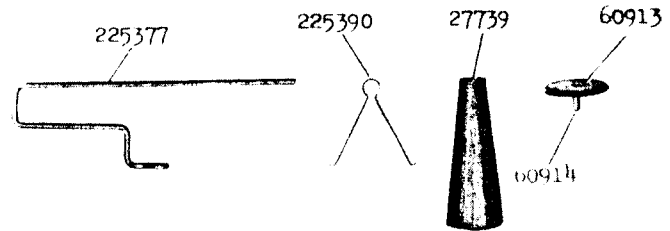
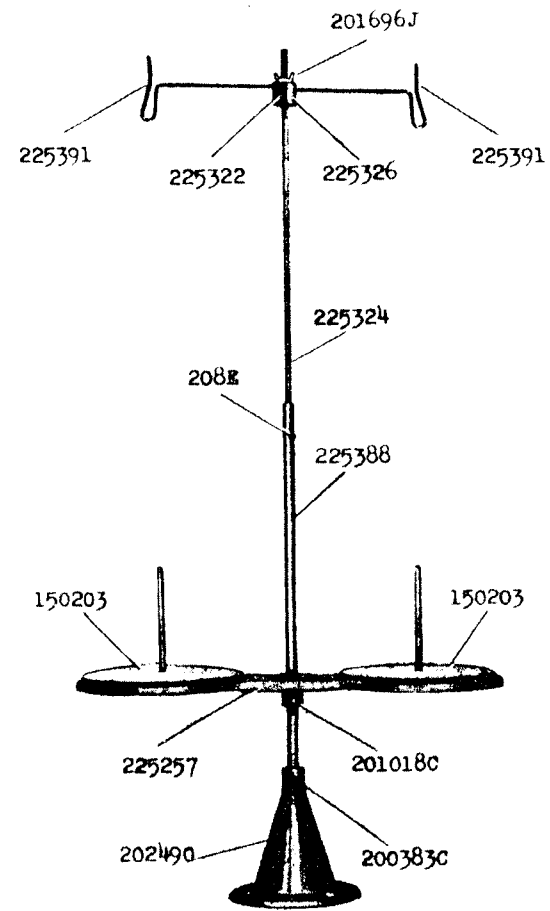
ILLUSTRATIONS  
OF  
PARTS

Genuine Singer Needles should be used  
in Singer Machines.  
These Needles and their Containers  
are marked with the  
Company's Trade Mark "SIMANCO." 1

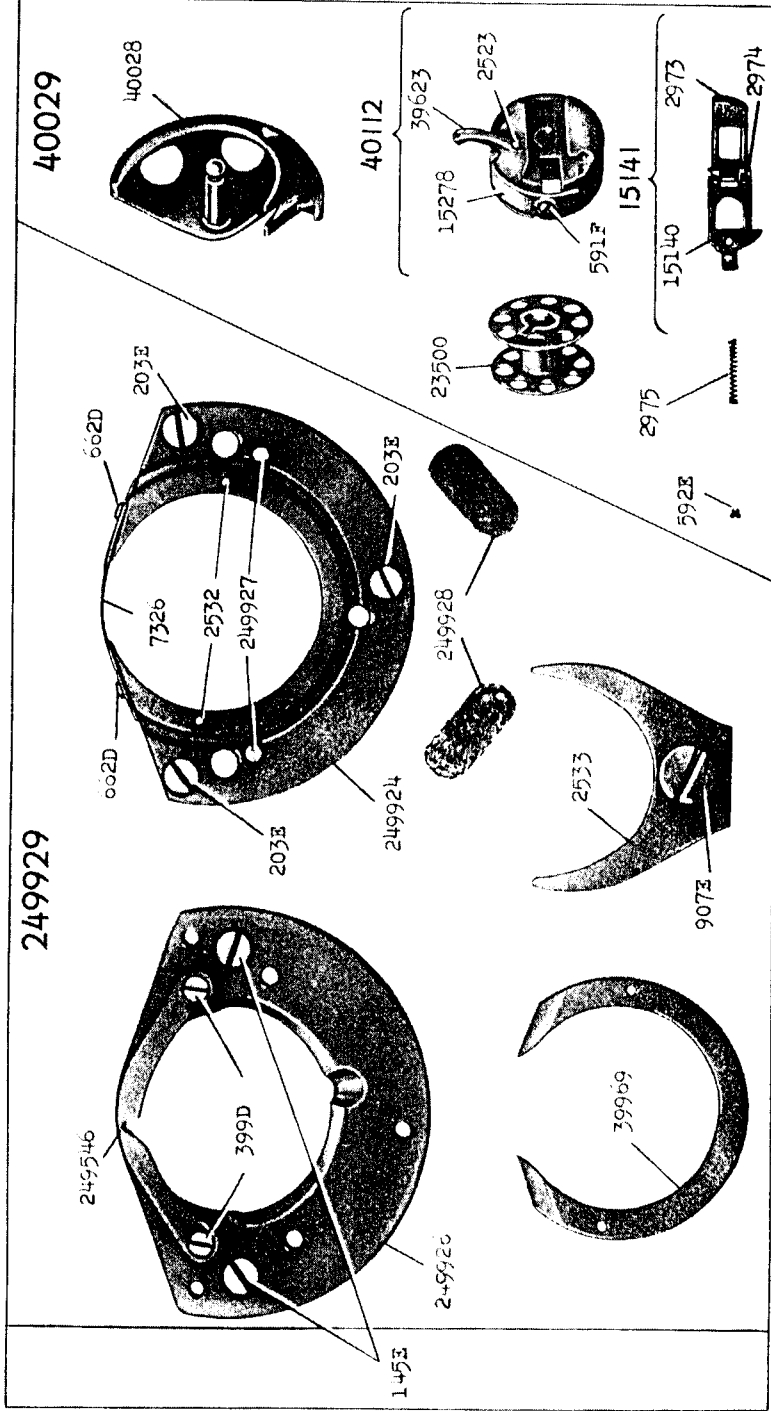
Needles in Containers marked  
"For Singer Machines"  
are not Singer made needles. 2

17900 - 1/6

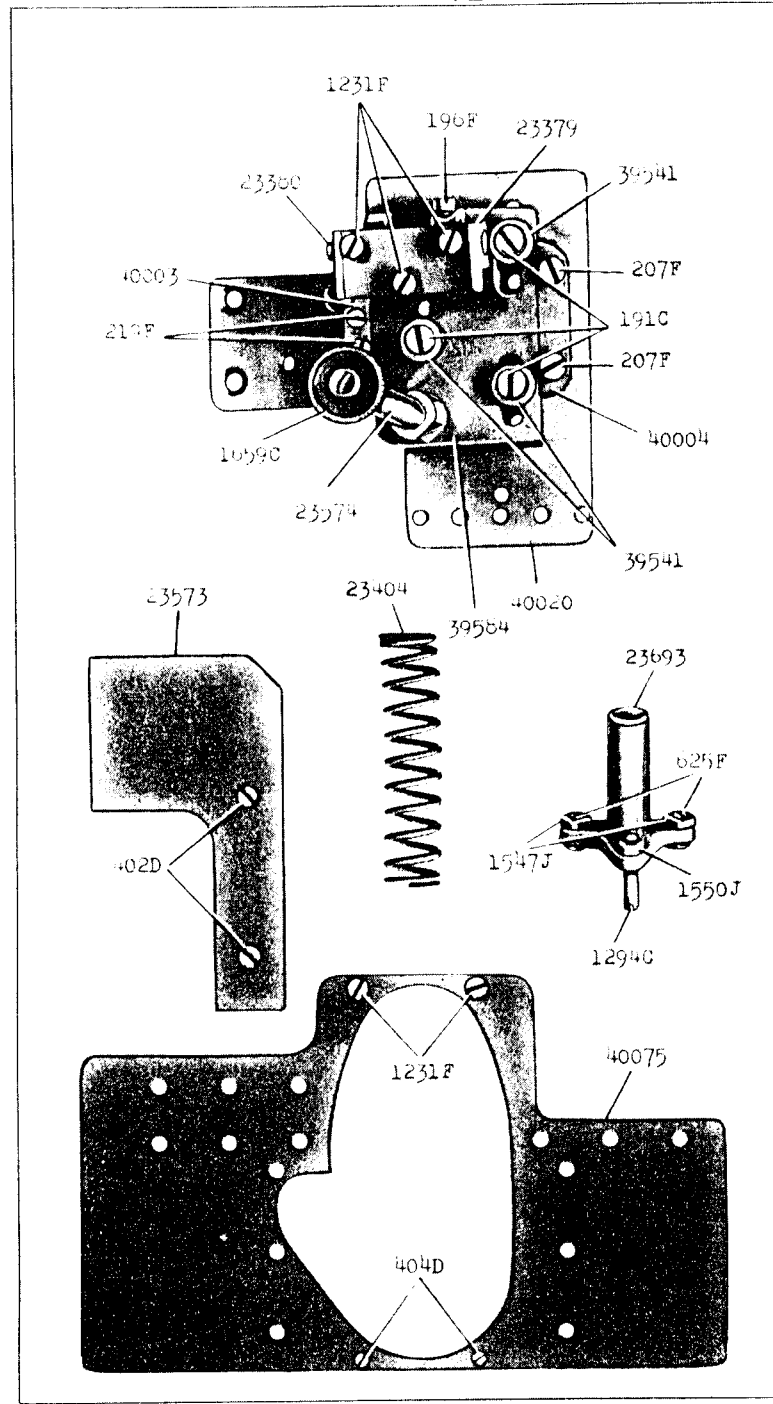
225258



18200 - 2/3



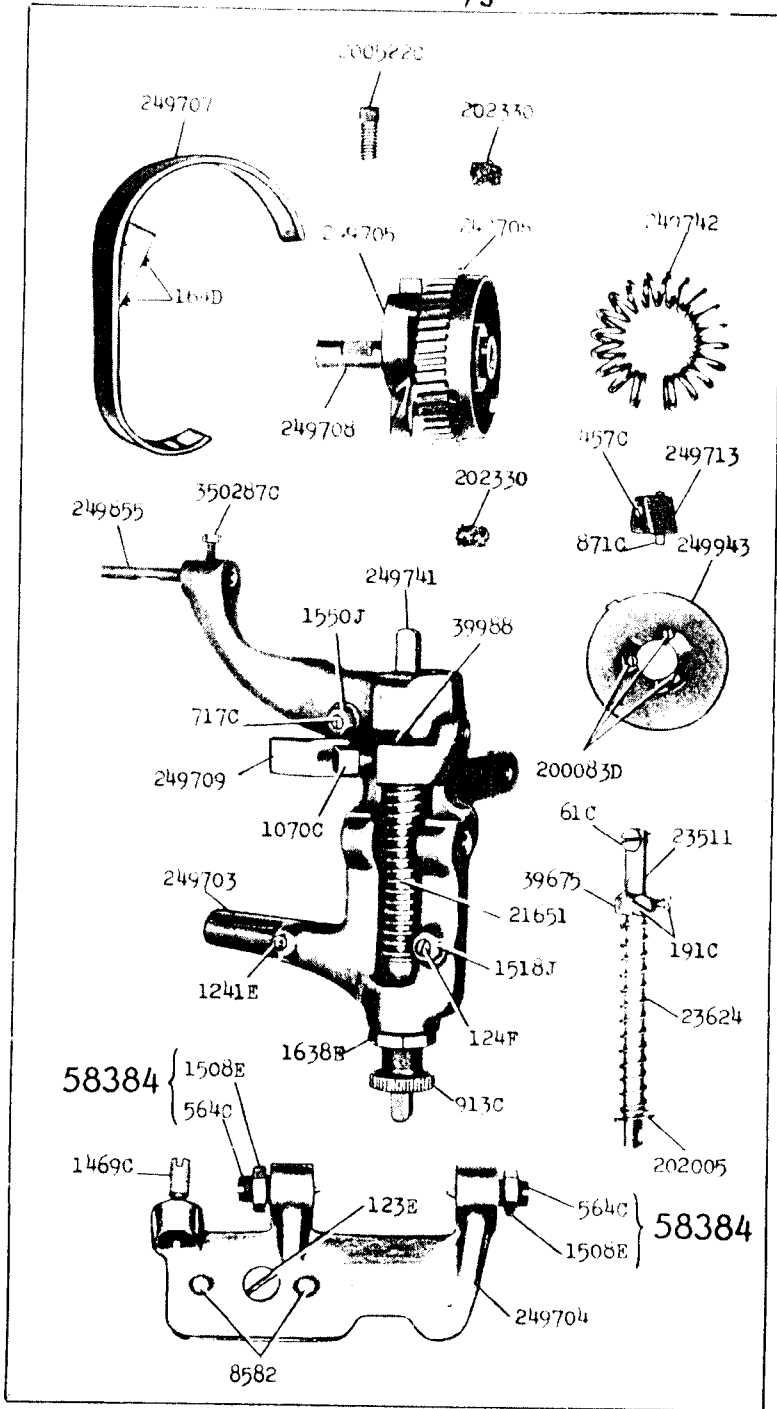
18208 - 1/2



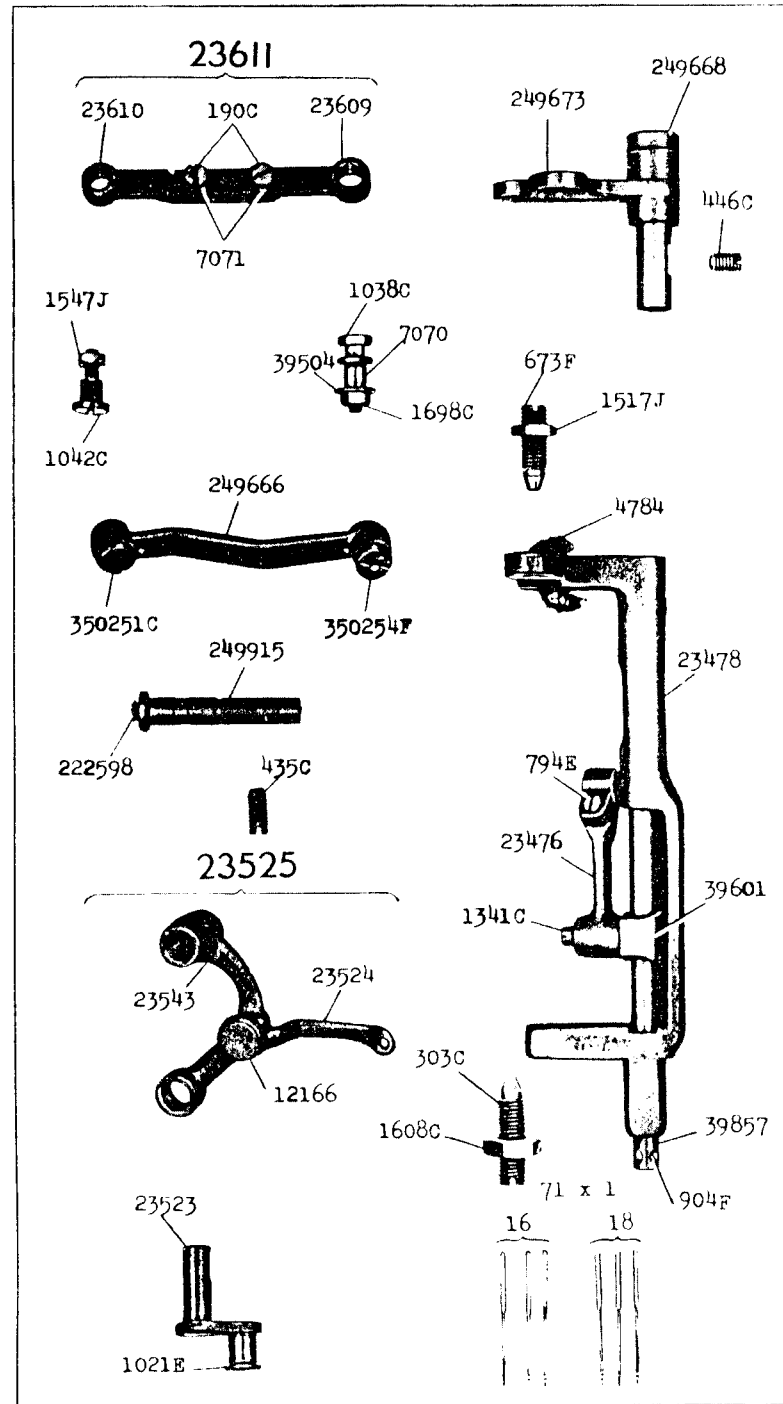




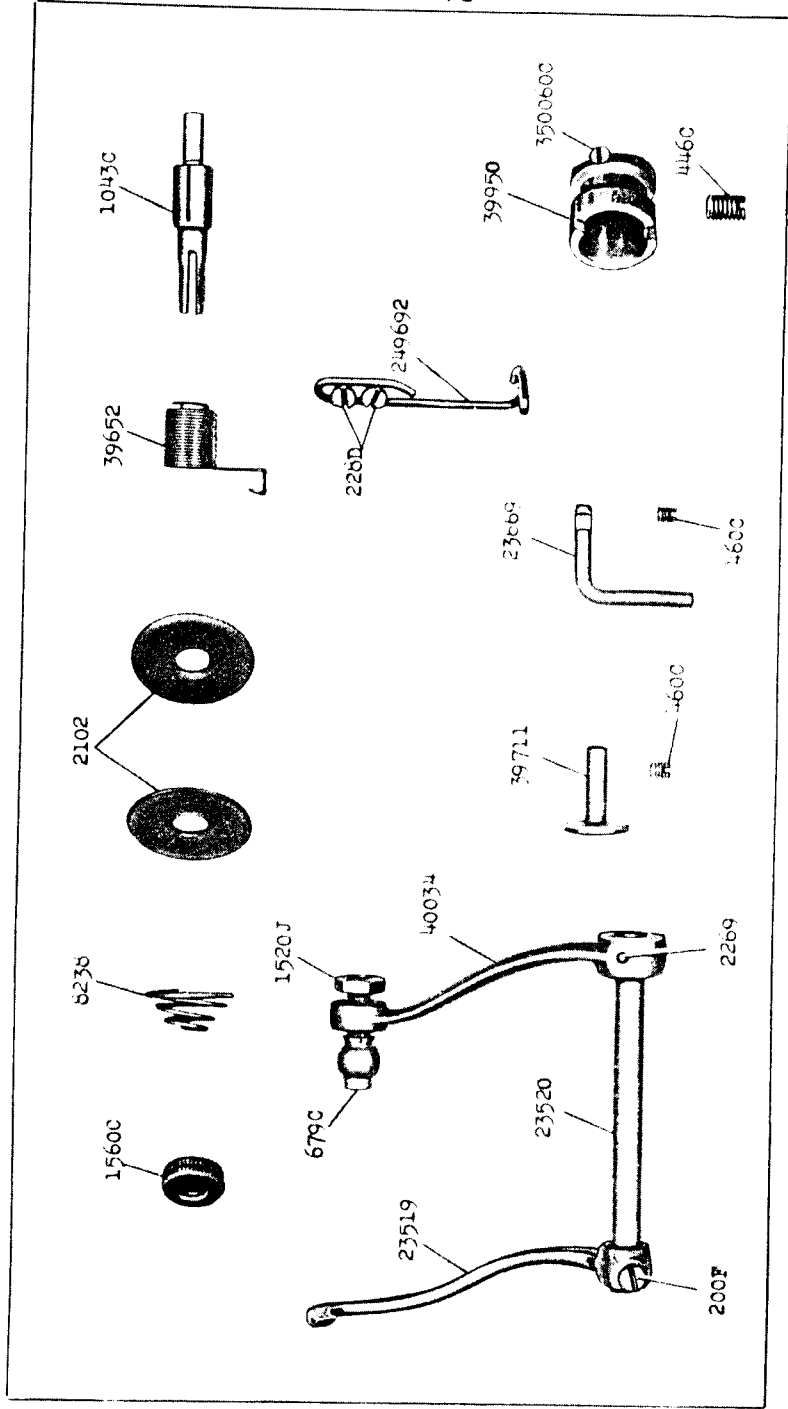
18229 - 1/3



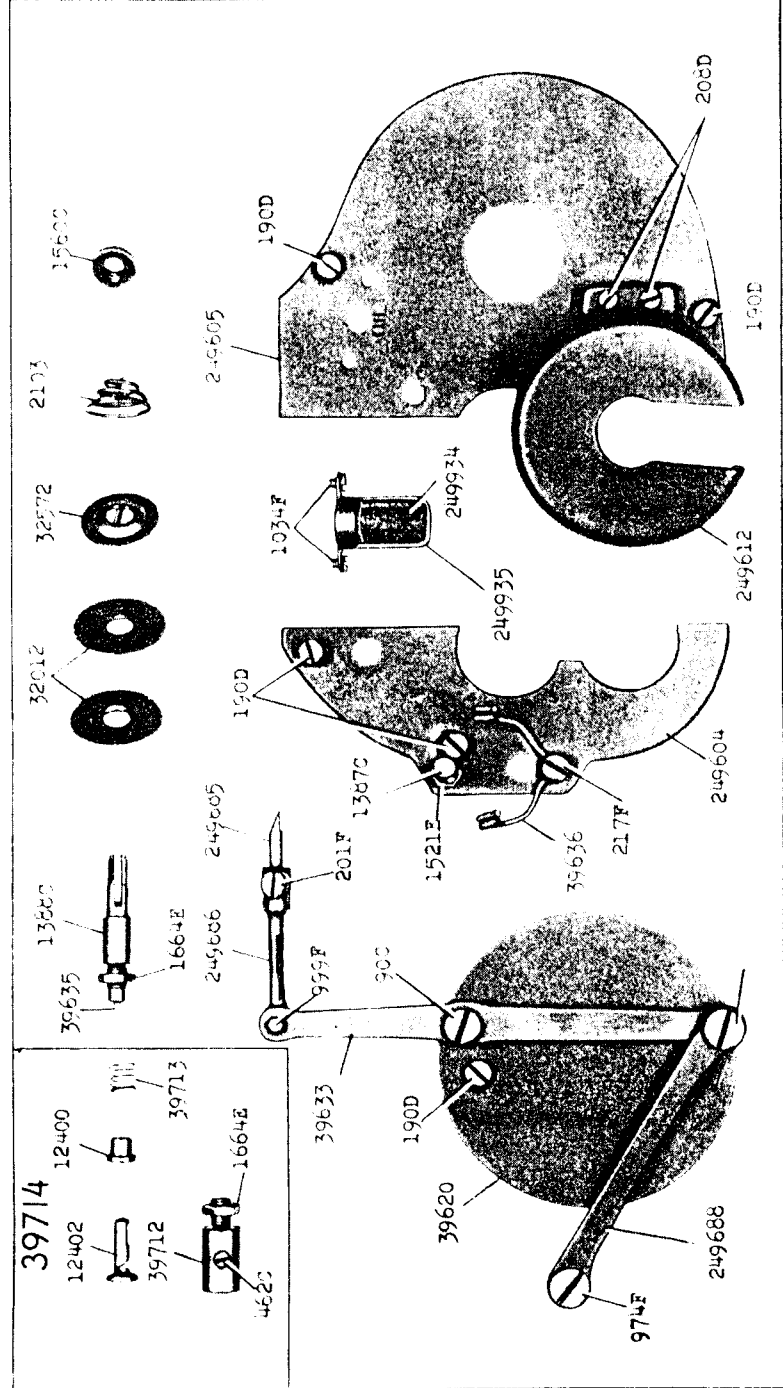
18230 - 1/2



18231 - 2/3



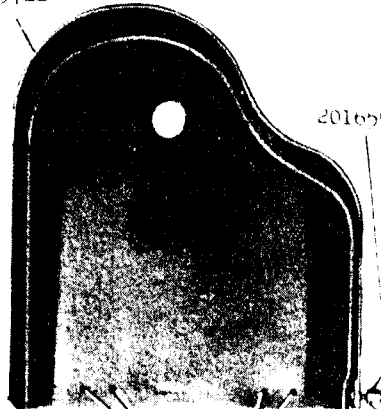
18232 - 1/2



18234 - 1/6

249723

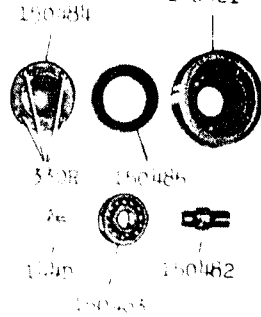
249722



201695

249941

150496



150481

150484



150485

150482

150483

150482

150483

150482

150483

150482

150483

150482

150483

150482

150483

150482

150483

150482

150483

150482

150483

150482

150483

150482

150483

150482

150483

150482

150483

150482

150483

150482

150483

150482

150483

150482

150483

150482

150483

150482

150483

150482

150483

150482

150483

150482

150483

150482

150483

150482

150483

150482

150483

150482

150483

150482

150483

150482

150483

150482

150483

150482

150483

150482

150483

150482

150483

150482

150483

150482

150483

150482

150483

150482

150483

150482

150483

150482

150483

150482

150483

150482

150483

150482

150483

150482

150483

150482

150483

150482

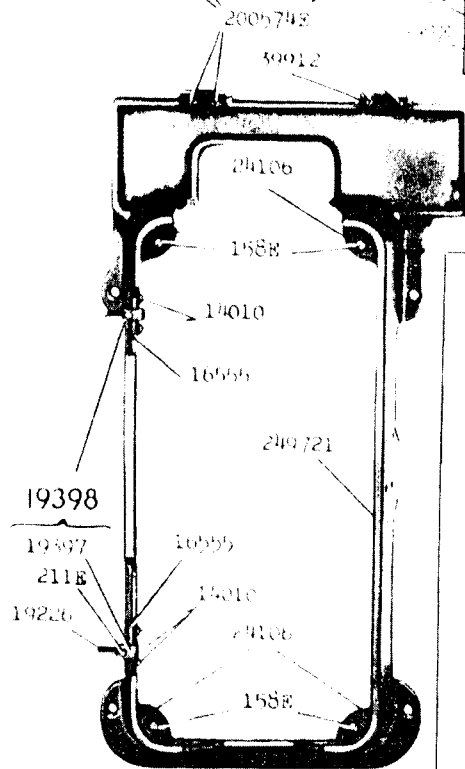
150483

150482

150483

150482

150483



2005743

39912

24106

1588

14010

16559

249721

19398

19397

211E

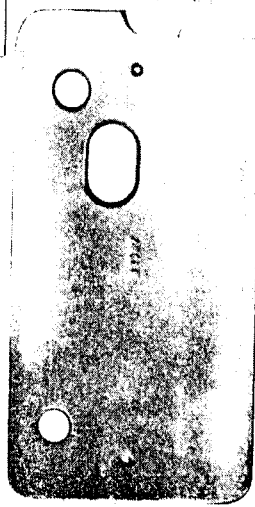
19226

10559

15010

24106

1588

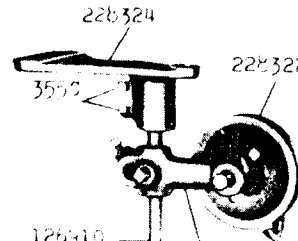


249723

18235 - 1/4

228354

228328



228324

228322

126910

228323

3550



228321

228322



228325

228327

228326

228327

3610

203100

5580

14372

14376 (2)

14374

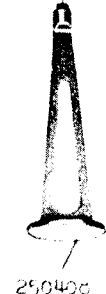
14373



2710R

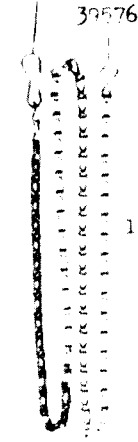
17801

232082



250400

39575



228330

236790 (2)

236789



1064D

39571

228320 (4)



23551

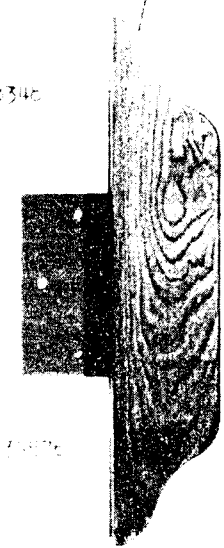
228349

39575

228347

228348

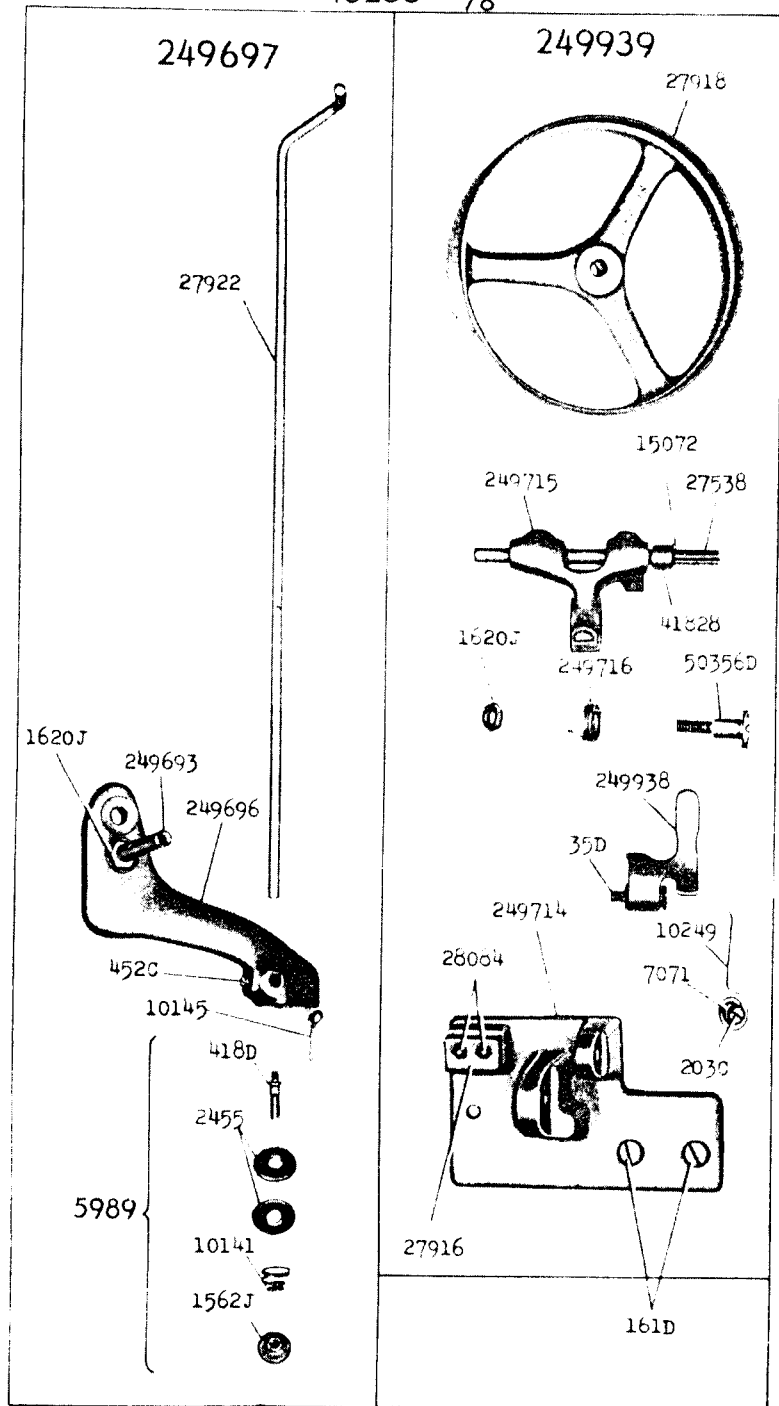
234344



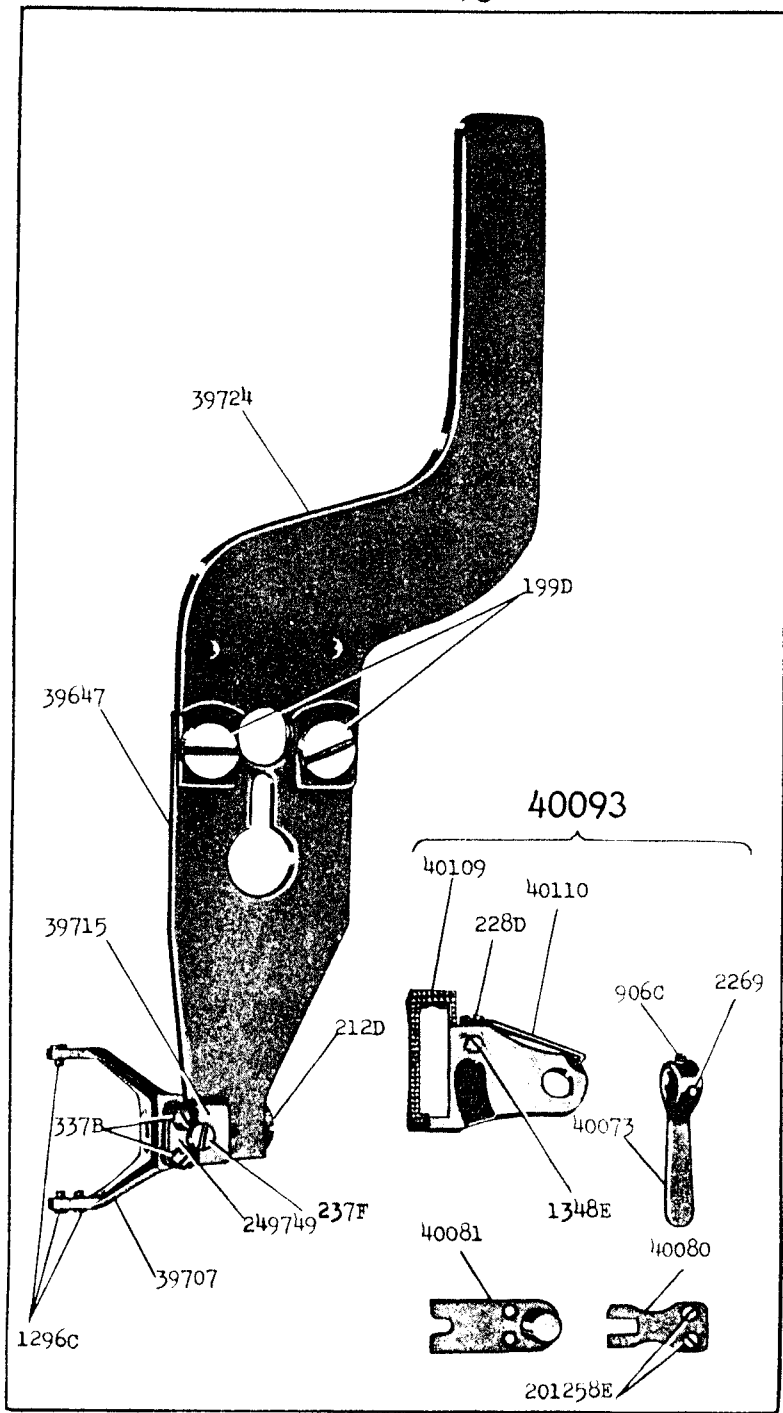
228333



18236 - 3/8

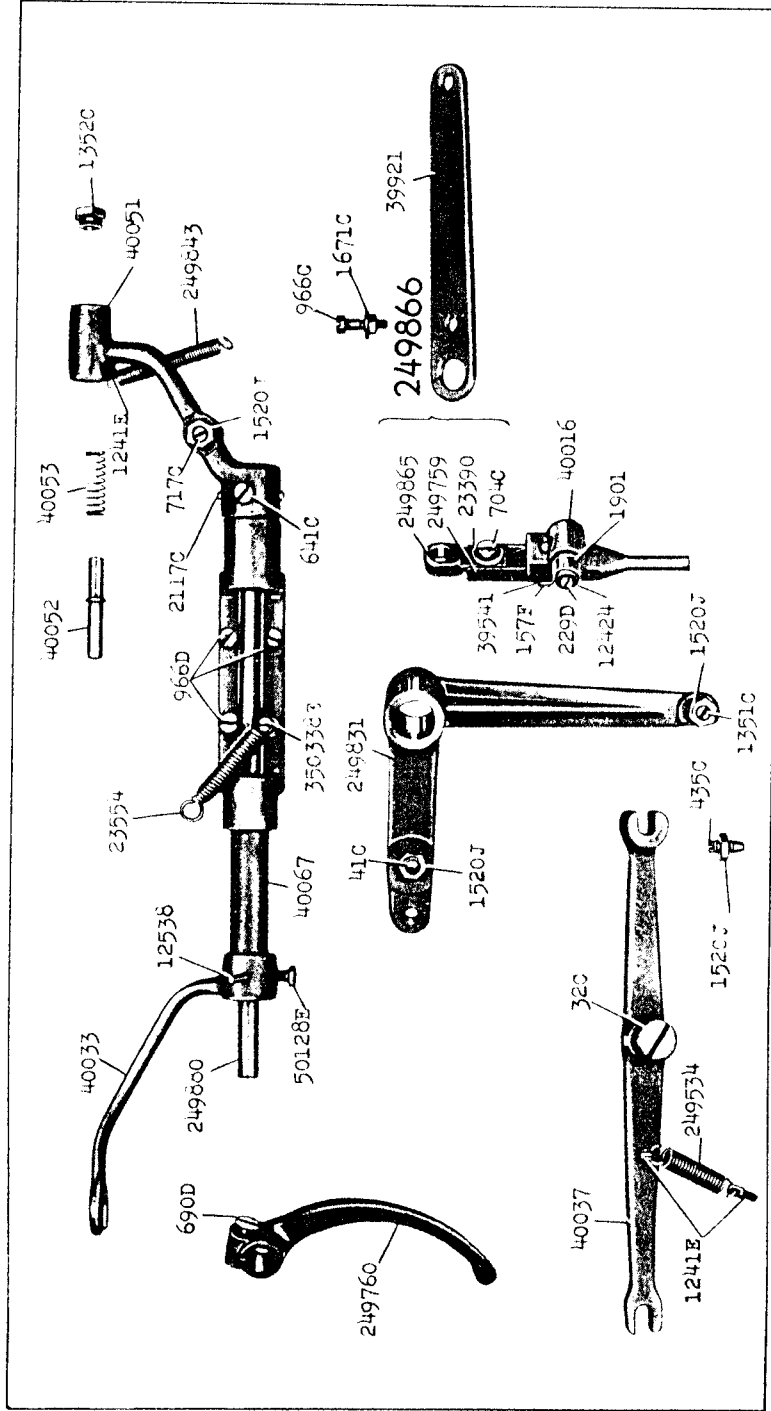


18238 - 5/8

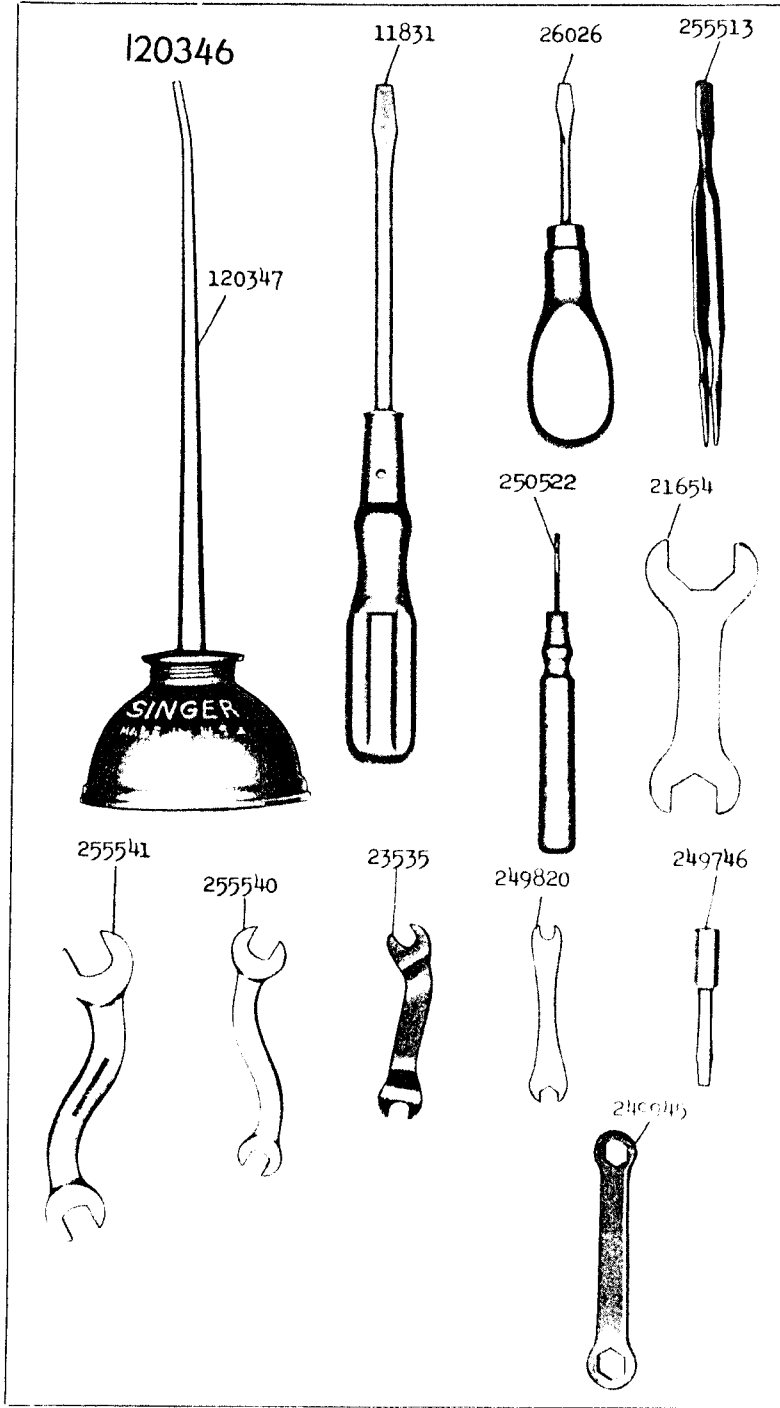




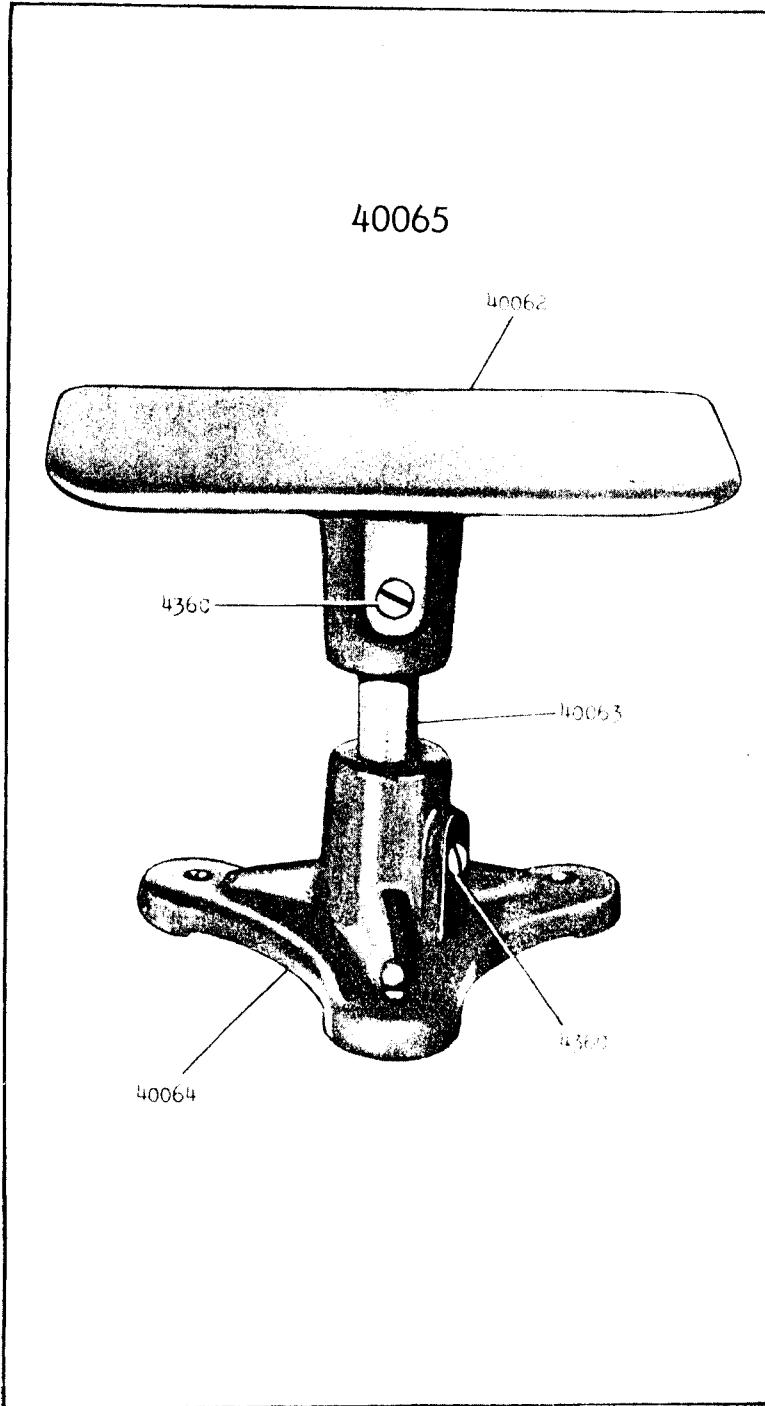
18241 - 3/8



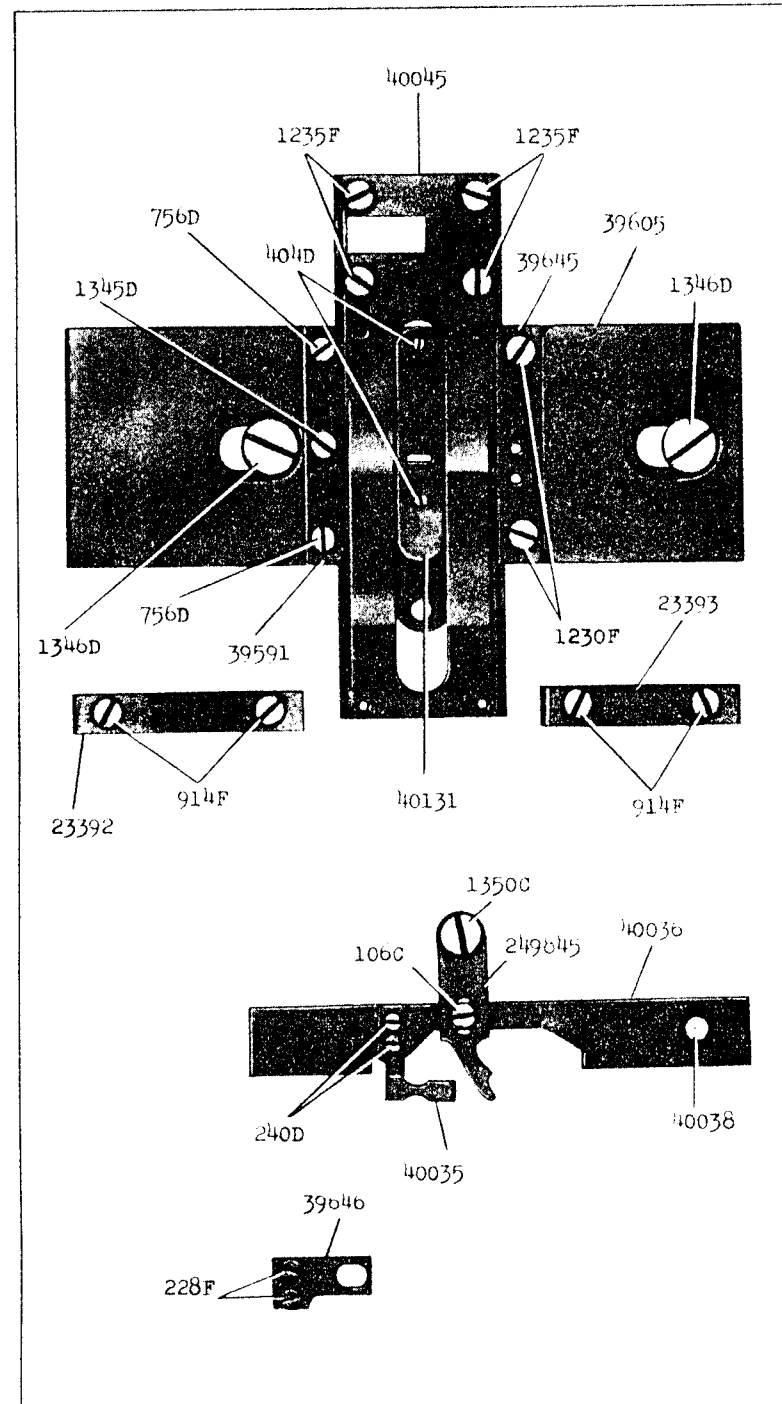
18242 - 1/3



18243 - 5/8



18244 - 1/2



18245 - 1/2

