

SINGER
861A,862A,872A

SINGER

PARTS LIST

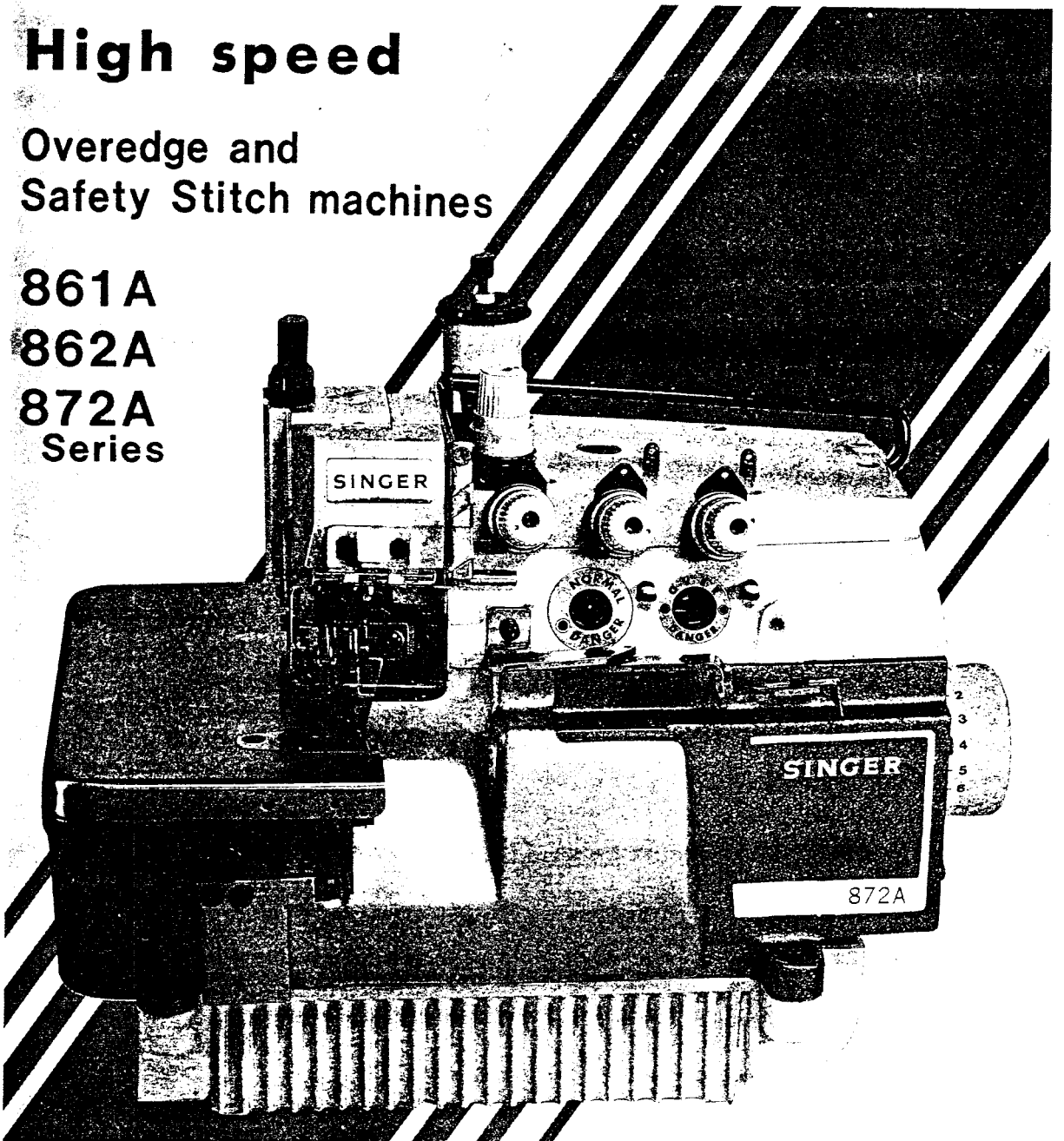
High speed

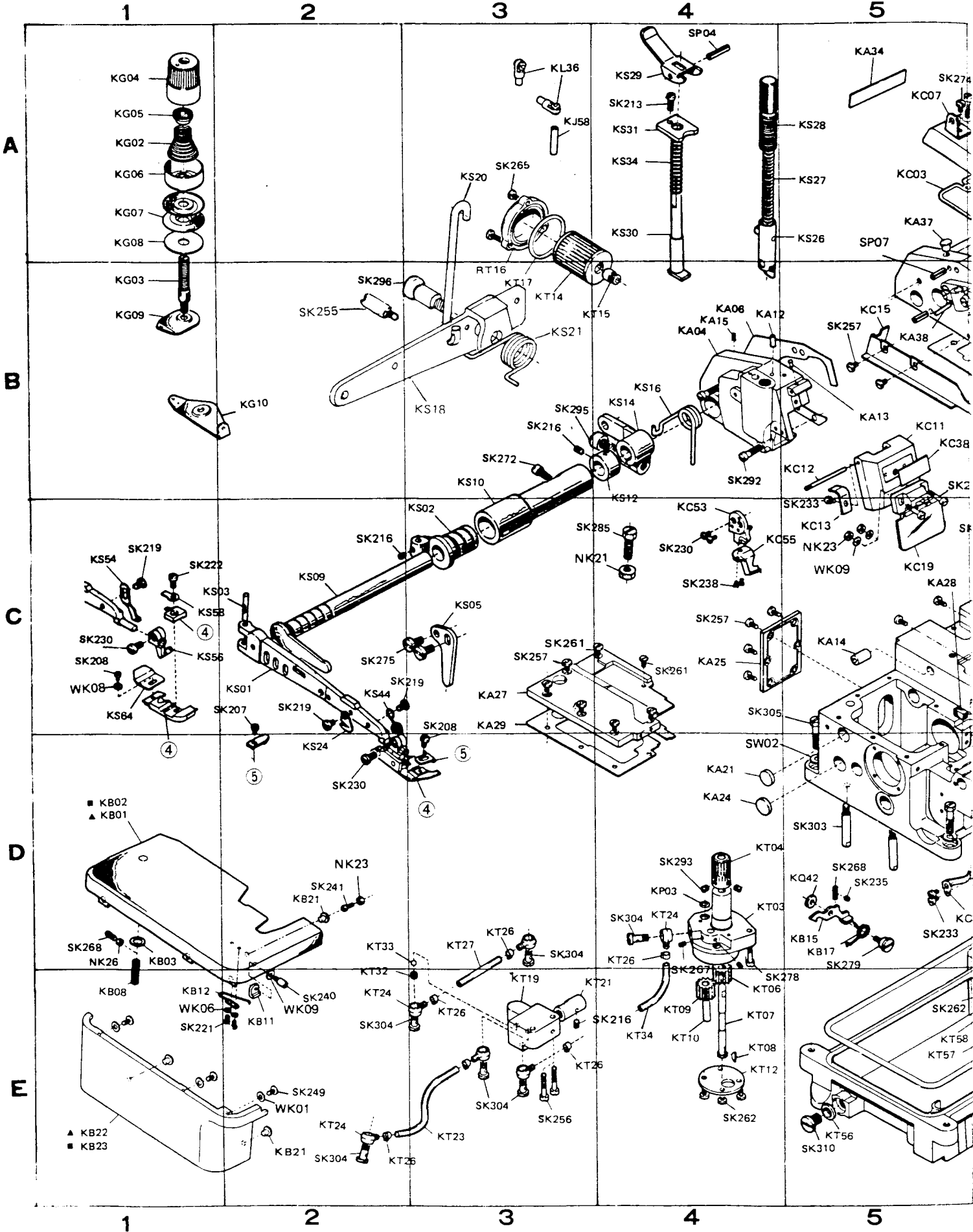
**Overedge and
Safety Stitch machines**

861A

862A

**872A
Series**





6

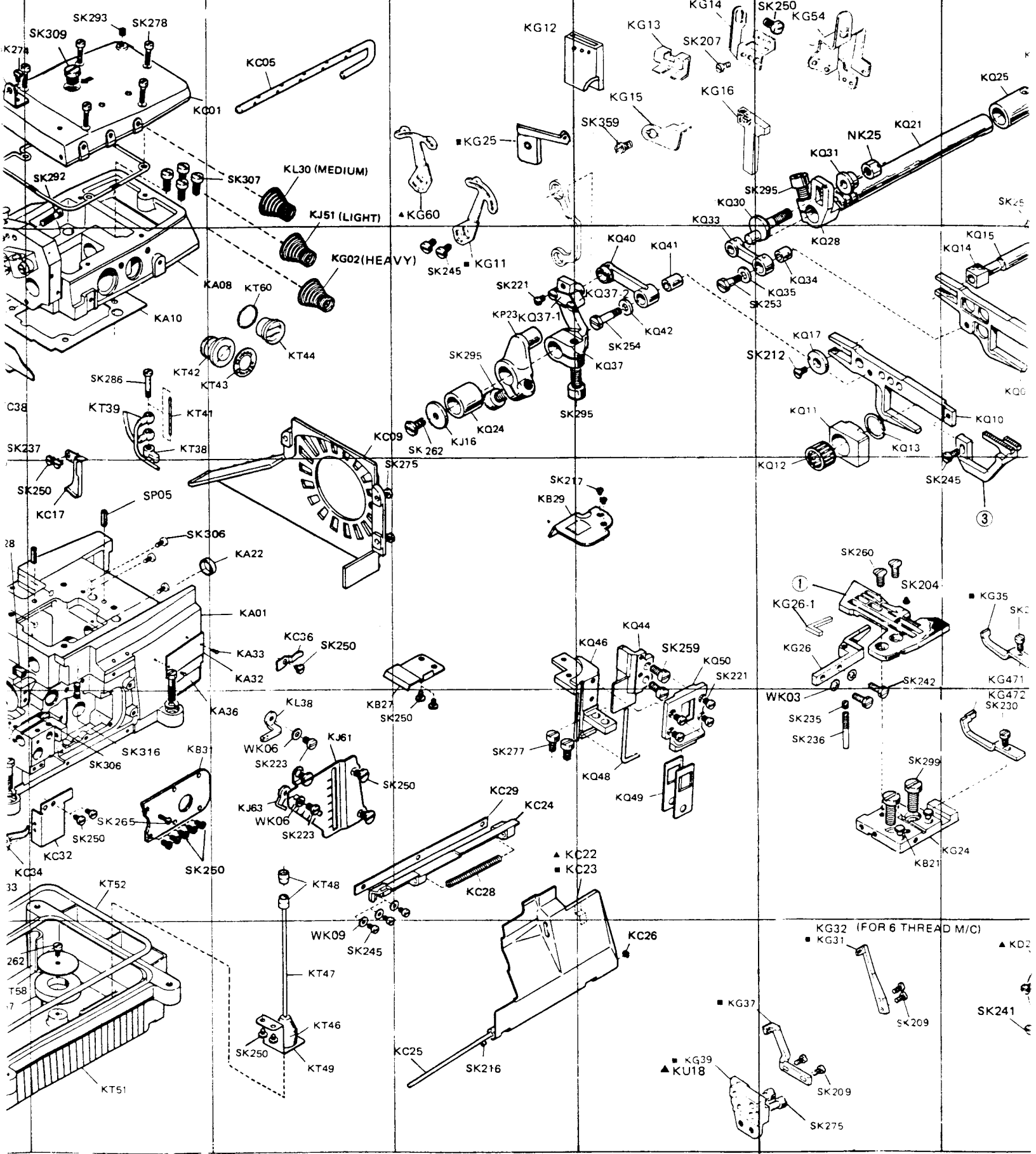
7

8

9

10

1



6

7

8

9

10

1

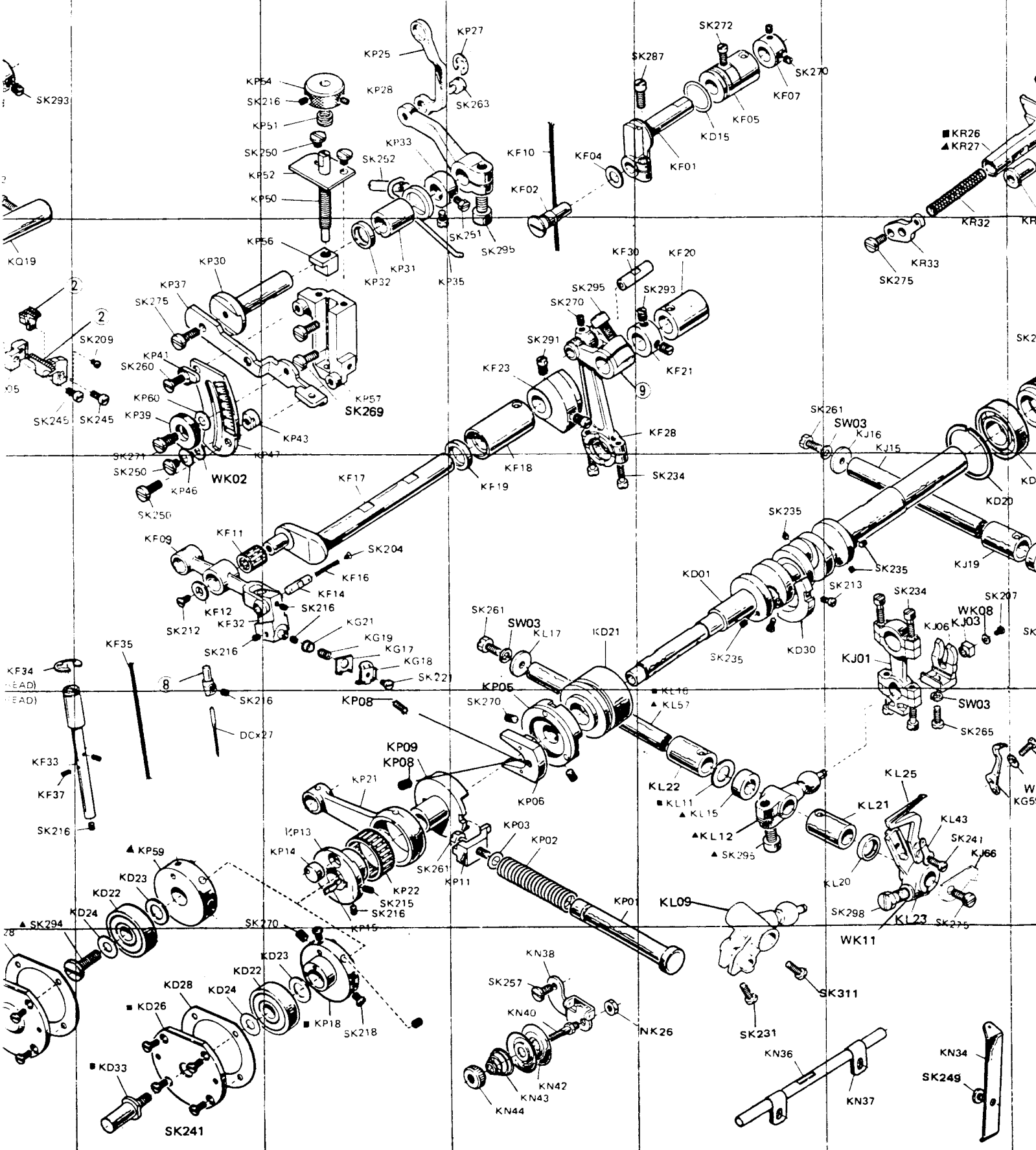
12

13

14

15

16



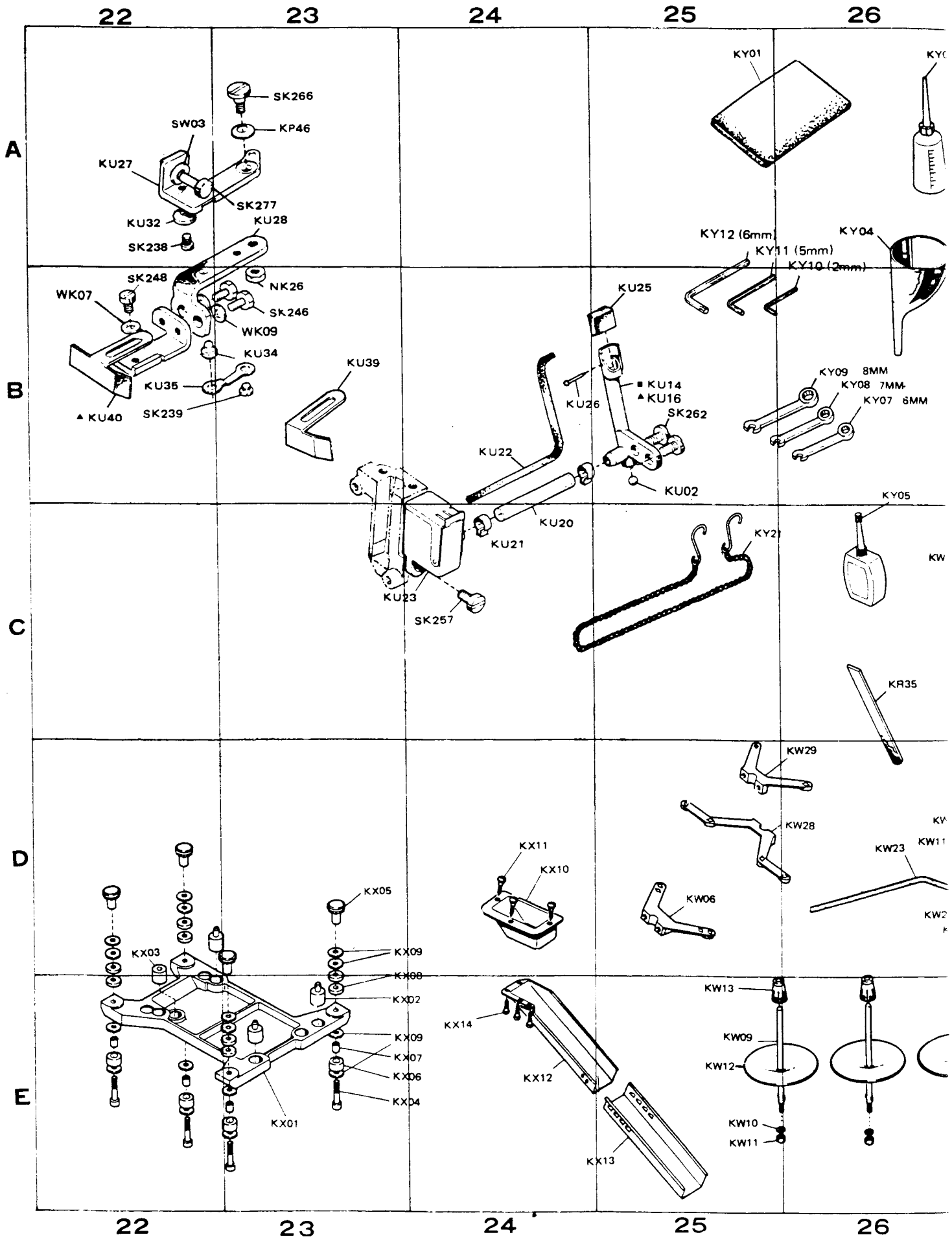
12

13

14

15

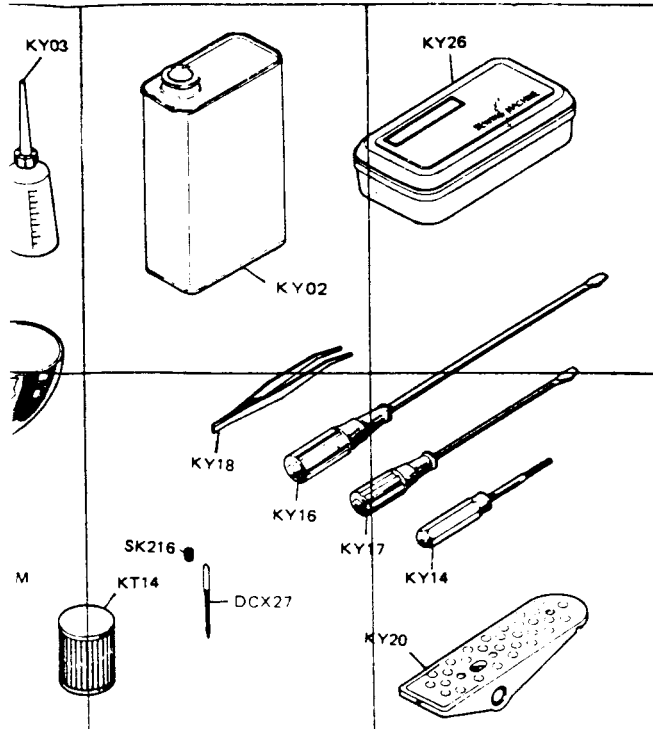
16



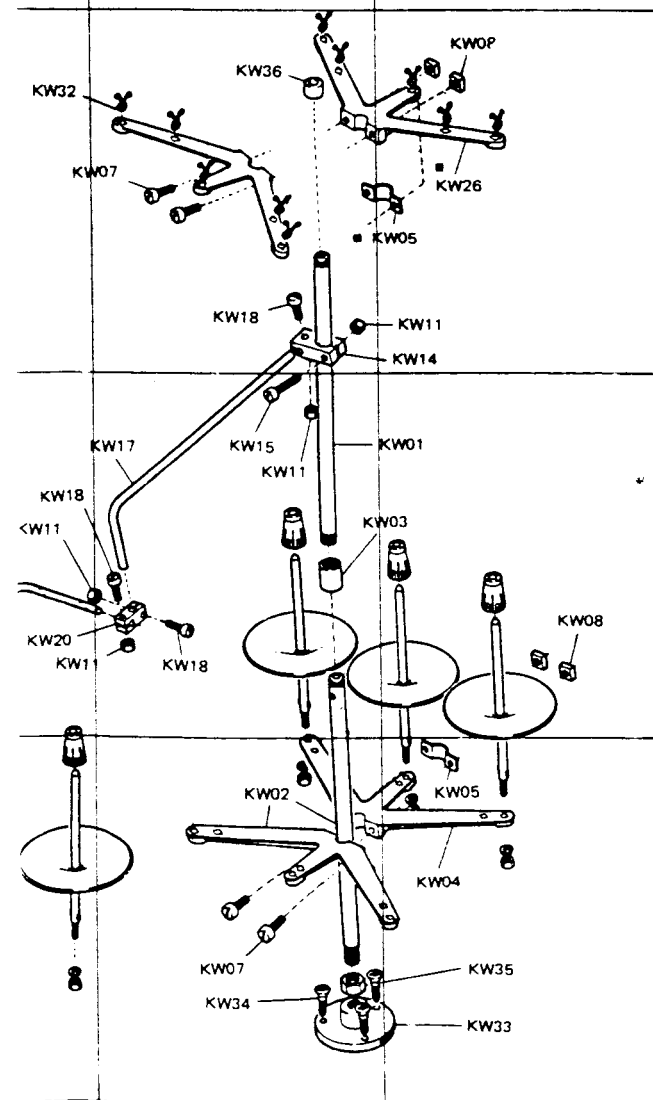
* PARTS FOR SEWING TYPE 505F1 ONLY

27

28



A
B



C
D
E

27

28

MODEL	GAUGE NG SM	NEEDLE PLATE ①	FEED COMP. MAIN + AUX. ②	DIFF. FEED DOG ③	SHAPE	PITCH	PRESS FOOT ④
861A-001-1	1.5	E934	(D290) D438 + D912	H442		1.6	P152E F5
861A-001-4	4	E800	(D574) D440 + D674	H445		1.6	P23 F3
861A-001-5	5	E797	(D574) D440 + D674	H445		1.6	P230C F3
861A-006-4BK	4	E589	(D390) D675 + D969	H974		1.6	AP9
861A-003-4	4	E784	(D569) D438 + D674	H442		1.6	P152E F1
862A-023-5	2 5	E810	(D575) D440 + D095	H445		1.6	P253 F3
862A-021-4 5	2 4 2 5	E809 E810	(D575) D440 + D095	H445		1.6	P253 P253
862A-022-3BK	2 3	E591	(D390) D675 + D969	H974		1.6	AP9
862A-033-4	2 4	E809	(D996) D958 + D095	H959		1.6	P10
872A-061-4 063-5	2 4 3 5	E834 E839	(D579) D487 + D060	H492		1.6	P5
872A-083-5	5 5	E851	(D581) D489 + D502	H494		1.6	P5
872A-065-5	5 5	E851	(D582) D490 + D502	H495		2.5	P5
872A-069-5	3 5	E982	(D002) D008 + D502	H957		1.6	P5
872A-071-5	5 5	E986	(D003) D490 + D502	H957		1.6	P5
872A-092-6	5 6	E854	(D582) D490 + D502	H495		2.5	P9

- KA -	1E WK06 5D KB15	8D KC28 8D KC29 7E WK09	12E SK241 15C KD30 16C SK213	13C SK204	17D KG59 17D SK243 17D WK05
7C KA01 6D SK306 6C SK135 4B KA04 4B SK292 4B KA06	5D SK279 5D KB17 5D SK268 5D SK235 10D KB21	7E SK245 6D KC32 6D SK250 5D KC34 5D SK233	12E KD33	- KF -	8A KG60 1A KG25 3A KG12 9A KG13 9A KG15 9A SK359 9A KG16 9A KG14 9A SK207 2B KG10 10A KG54 10A SK250
5A KA07 6B KA08 7A SK307 6B KA10 6C KA11	1E KB22 1E KB23 2E SK249 2E WK01 2E KB26	7C KC36 7C SK250 5B KC38 4C KC53 4C SK230 4C KC55 5C SK238	15A KF01 14A KF02 15A SK287 14A KF04 15A KF05	1A KG06 1A KG07 1A KG08 1B KG09 2B KG10	8B KG11 8B SK245 12C SK216 12D DCX27 27B DCX27
4B KA12 5B KA13 5C KA14 4B KA15 5D SK303	7D KB27 8D SK250 8C KB29 9C SK217 6D KB31	4C SK230 4C KC55 5C SK238	15A SK272 15A SK272 15A KF07 18D KF07 15A SK270	1A KG08 1A KG09 1A KG10	10A KG54 10A SK250
4D KA21 7C KA22 4D KA24 4C KA25 4C SK257	6D SK265 10D SK240	15C KD01 15C SK235 19A SK302 19A KD04 19A KD05	12C KF09 14A KF10 12C KF11 12C KF12 12C SK212	12C SK216 13C KG17 13C KG18 13C KG19 13C SK221	17B KJ01 17B SK234 16C KJ03 18B WK08 18B SK207
3C KA27 3C KA28 3C KA29 3C SK257 4C SK261	6A KC01 6A SK278 5A KC03 6A SK309 7A KC05	18B KD09 18A KD10 17B KD12 18B SK274 17B KD13	13C KF14 13C SK216 13C KF16 13C KF17 14B KF18	13C KG21 10C SK260 11D KG24 10D SK299 10C KG26	18B KJ06 16C KJ06 18C SK265 18C SW03 17C KJ09
7C KA32 7C KA33 5A KA34 7D KA36 5A KA37	6A SK293 5A KC07 5A SK274 6B KC09 7C SK275	17B KD14 17B KD15 15A KD15 17B KD16 17B KD17	20A KF19 14C KF19 15B KF20 15B KF21 21A KF21	10C KG26-1 10C SK242 10C WK03 10D SK236 10D SK235	17C KJ10 17C KJ11 17C KJ12 17C SK295 16B KJ15
5B KA38	5B KC11 5B KC12 5C KC13 5C SK233 5B CK15	17B SK270 17B KD19 16C KD20 14C KD21 12E KD22	11A KF21 15B SK293 14B KF23 14B SK291 14B KF25	10C KG31 10E SK209 10E KG33 10E SK209 11C KG35	16B KJ16 8B KJ16 16B SK261 16B SW03 16C KJ19
1D KB01 1D KB02 1D KB03 2D SK241 2D NK23	5B SK257 6C KC17 6C SK250 5C KC19 5B SK237	12D KD22 13E KD23 12D KD23 12E KD24 12D KD24	14B KF26 14B SK295 15B KF28 15B SK234 14B KF30	10E SK209 10E SK209 10E SK209 10E SK209 10E SK275	17C KJ20 18C KJ21 17C KJ22 17C SK298 20D SK228 20E KJ26 20E KJ27
1D SK268 1D NK26 1E KD06 2E SK240 2E WK09	5C NK23 5C WK09 9D KC23 8D KC24 8E KC25	19A KD24 11D SK204 12E KD26 11E KD27 11D KD28	14B SK270 12C KF32 11D KF33 11C KF34 12C KF35	8A KG41 8A SK250 11C KG47 11C SK230	17C SK216 20E KJ29 20D KJ30
2E KB11 1E KB12 1E SK221	9E KC26 8E SK216	12E KD28 11E SK241	11D SK216 11D KF37	20D KJ31 20D KJ32	

