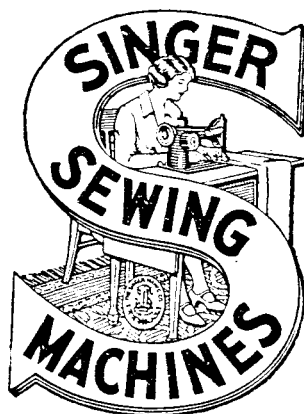


SINGER
99W

LIST OF PARTS



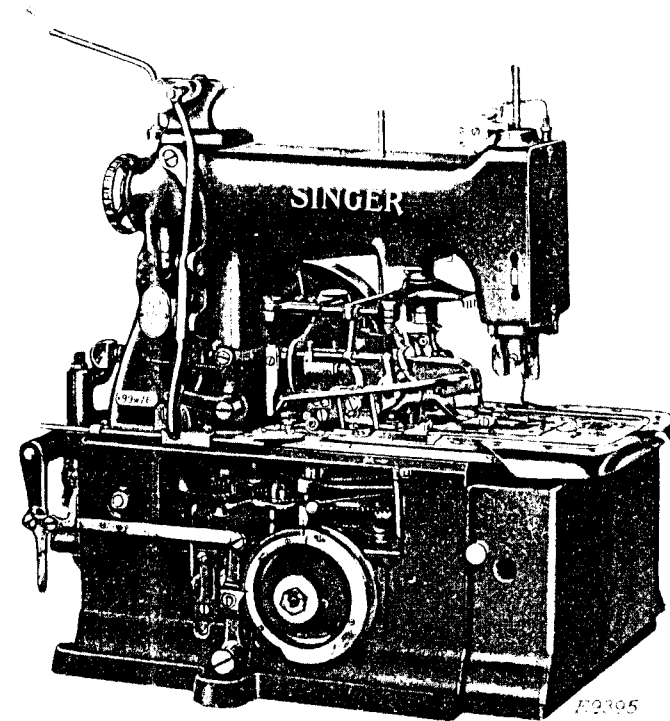
MACHINES
Nos. 99w76, 99w77,
99w79, 99w80 and
99w95

THE SINGER MANUFACTURING COMPANY

LIST OF PARTS COMPLETE
FOR

INDEX

	PAGE
ACCESSORIES	118
BUTTONHOLE CUTTING BLOCKS	128
" " KNIVES	127
DRIVING EQUIPMENT	120
KNIFE TRUING FIXTURE	142
MACHINE No. 99w76	7
" " 99w77	42
" " 99w79	44
" " 99w80	47
" " 99w95	83
NUMERICAL LIST OF PARTS	151
OBSOLETE PARTS	147
PATTERN WHEEL CABINET	142
" WHEELS	130
SHAFT PULLEYS	144
THREAD LUBRICATING CUP	143
" UNWINDER	119
THROAT PLATES	143
TRANSMITTER PULLEYS	146



MACHINE No. 99w76

No.	Plate	Name
*250001	---	Arm
204235	13811	" Position Pin (2)
200020e	13811	" Screw (4)
232488	13858	" Shaft
232489	13858	" " Bevel Gear (order Position Screw or Set Screw as required)
232244	13811	Arm Shaft Bevel Gear Position Pin
350223e	13972	" " " " " Screw
453e	13851	" " " " " Set Screw ..
232002	13812	" " Bushing (back) with 202260

No.	Plate	Name
232490	13812	Arm Shaft Bushing (front) with 202260
202260	—	Arm Shaft Bushing Oil Packing (wick)
200100E	13811	Arm Shaft Bushing Screw (4)
232003	13858	" " Hand Wheel with two 200341c
200341c	13858	Arm Shaft Hand Wheel Set Screw
150D	13858	" " Screw
250002	13812	" Side Cover
200110D	13811	" " " Screw (2)
*250003	—	Bed with 250078, 255509 to 255512, two each 127D, 40025 and eight 1094E
250009	—	Bed End Cover
232025	13811	" " " Catch (2)
232026	13811	" " " " Position Pin (2)
250010	13811	" " " " Releaser (2) ..
204264	13811	" " " " " Stop Pin (2)
200047D	13811	Bed End Cover Catch Screw (2) ..
201531E	13972	" " " " " Nut (2)
250011	13811	" " " Support (left)
250012	13811	" " " " (right)
457C	13811	" " " " Set Screw ..
250013	—	" Extension
250397	13811	" " Position Pin (2)
134D	13811	" " Screw (4)
250014	13858	" Shaft
255521	13932	" " Bevel Gear with two 453c
232719	13853	" " " " Position Pin (2)
453c	13851	Bed Shaft Bevel Gear Set Screw ..
232030	13812	" " Bushing (back) with 202260
202260	—	Bed Shaft Bushing (back) Oil Packing (wick)
232821	13811	Bed Shaft Bushing (back) Oil Tube (brass)
230795	13811	Bed Shaft Bushing (back) Oil Tube Pin
200100E	13811	Bed Shaft Bushing (back) Screw (2)
250015	13812	Bed Shaft Bushing (front)
255527	13932	" " " " Oil Tube (brass)
250451	13972	Bed Shaft Bushing (front) Oil Tube Bracket
330D	13972	Bed Shaft Bushing (front) Oil Tube Bracket Screw

No.	Plate	Name
232244	13811	Bed Shaft Bushing (front) Position Pin
200100E	13811	Bed Shaft Bushing (front) Screw (2)
250017	13858	Bed Shaft Collar with two 1258E (2)
1258E	13858	Bed Shaft Collar Set Screw
232725	13811	Belt Guard
9D	13811	" " Screw
255318	15411	Buttonhole Cutting Block (steel), 3/4 in. Eye or Taper Bar
350111c	13883	Buttonhole Cutting Block Pinch Screw
250468	13883	Buttonhole Cutting Block Pinch Screw Washer
1281D	13883	Buttonhole Cutting Block Stop Screw
250020	13818	Buttonhole Cutting Carrier Cam with 200364c
40025	13834	Buttonhole Cutting Carrier Cam Position Pin
200364c	13972	Buttonhole Cutting Carrier Cam Set Screw
250021	13818	Buttonhole Cutting Carrier Lever with 990D, 201366c, 201524E and 201892
50031c	13883	Buttonhole Cutting Carrier Lever Adjusting Screw Stud
1698c	13817	Buttonhole Cutting Carrier Lever Adjusting Screw Stud Nut
39541	13864	Buttonhole Cutting Carrier Lever Adjusting Screw Stud Nut Wash- er
250022	13883	Buttonhole Cutting Carrier Lever Adjusting Screw Stud Sleeve ..
201892	13883	Buttonhole Cutting Carrier Lever Roller
990D	13883	Buttonhole Cutting Carrier Lever Roller Cap Screw
201366c	13883	Buttonhole Cutting Carrier Lever Roller Screw Stud
201524E	13883	Buttonhole Cutting Carrier Lever Roller Screw Stud Nut
232038	13972	Buttonhole Cutting Carrier Lever Slide Block
250023	13972	Buttonhole Cutting Disengaging Lever
350233c	13972	Buttonhole Cutting Disengaging Lever Hinge Screw

No.	Plate	Name
203213	13936	Buttonhole Cutting Disengaging Lever Spring
250592	13972	Buttonhole Cutting Disengaging Push Rod
2273	13972	Buttonhole Cutting Disengaging Push Rod Pin
250290	13818	Buttonhole Cutting Driving Wheel with 446E
232043	13883	Buttonhole Cutting Driving Wheel Lock
232044	13883	Buttonhole Cutting Driving Wheel Lock Spring
200051E	13883	Buttonhole Cutting Driving Wheel Lock Spring Screw
228026	13859	Buttonhole Cutting Driving Wheel Lock Spring Screw Washer
232724	13883	Buttonhole Cutting Driving Wheel Lock Stop Plate
1094E	13883	Buttonhole Cutting Driving Wheel Lock Stop Plate Screw (2)
232150	13972	Buttonhole Cutting Driving Wheel Position Pin
446E	13972	Buttonhole Cutting Driving Wheel Set Screw
250664	—	Buttonhole Cutting Knife (.126 x .180 eye)
250027	13883	Buttonhole Cutting Knife Adjusting Block
1100D	13883	Buttonhole Cutting Knife Adjusting Block Screw
250474	13883	Buttonhole Cutting Knife Base Plate
201474E	13883	Buttonhole Cutting Knife Base Plate Adjusting Screw (2)
1454E	13883	Buttonhole Cutting Knife Base Plate Screw
250475	13883	Buttonhole Cutting Knife Clamping Lever
350114c	13883	Buttonhole Cutting Knife Clamping Lever Hinge Screw
250030	13885	Buttonhole Cutting Knife Clamping Plate
250031	—	Buttonhole Cutting Lever (lower)
251267	13957	" " " " 250031 with 251269 and 251270
250032	13973	Buttonhole Cutting Lever (lower) Cam with 453c
40025	13834	Buttonhole Cutting Lever (lower) Cam Position Pin

No.	Plate	Name
453c	13851	Buttonhole Cutting Lever (lower) Cam Set Screw
250033	13957	Buttonhole Cutting Lever (upper) with 232482, 250468, 350111c and two 232483
251271	13973	Buttonhole Cutting Lever (upper) Cam with 453c
40025	13834	Buttonhole Cutting Lever (upper) Cam Position Pin
453c	13851	Buttonhole Cutting Lever (upper) Cam Set Screw
250464	13957	Buttonhole Cutting Lever Bracket with 200089b
250465	13957	Buttonhole Cutting Lever Bracket Arm
50027E	13885	Buttonhole Cutting Lever Bracket Arm Screw
250530	—	Buttonhole Cutting Lever Bracket complete, Nos. 250464, 250465 and two 50027E
250036	13885	Buttonhole Cutting Lever Bracket Gib (left)
250037	13885	Buttonhole Cutting Lever Bracket Gib (right)
232380	13885	Buttonhole Cutting Lever Bracket Gib Adjusting Plate (2)
219E	13856	Buttonhole Cutting Lever Bracket Gib Adjusting Plate Screw (4) ..
206482	13885	Buttonhole Cutting Lever Bracket Gib Adjusting Plate Screw Wash-er (4)
201176E	13885	Buttonhole Cutting Lever Bracket Gib Screw (6)
250038	13885	Buttonhole Cutting Lever Hinge Stud
200089b	13885	Buttonhole Cutting Lever Hinge Stud Set Screw
251268	13885	Buttonhole Cutting Lever Spring
251269	13885	" " " " Bracket (lower)
251270	13885	Buttonhole Cutting Lever Spring Bracket (lower) Pin
232482	13885	Buttonhole Cutting Lever Spring Bracket (upper)
232483	13885	Buttonhole Cutting Lever Spring Bracket (upper) Pin
250039	13816	Buttonhole Cutting Pressure Wedge with 232056
*201155D	13816	Buttonhole Cutting Pressure Wedge Adjusting Screw

No.	Plate	Name
250538	—	Buttonhole Cutting Pressure Wedge Adjusting Screw 201155d with 2273, 201672E, 232054 and 232055
232054	13816	Buttonhole Cutting Pressure Wedge Adjusting Screw Collar.....
232055	13816	Buttonhole Cutting Pressure Wedge Adjusting Screw Collar Position Pin
232466	13816	Buttonhole Cutting Pressure Wedge Adjusting Screw Lock Spring ..
662D	13816	Buttonhole Cutting Pressure Wedge Adjusting Screw Lock Spring Screw
201672E	13816	Buttonhole Cutting Pressure Wedge Adjusting Screw Nut
2273	13972	Buttonhole Cutting Pressure Wedge Adjusting Screw Nut Pin
232056	13816	Buttonhole Cutting Pressure Wedge Boss
232057	13816	Buttonhole Cutting Pressure Wedge Post with 662D and 232466
200122H	13816	Buttonhole Cutting Pressure Wedge Post Screw
250040	13957	Buttonhole Cutting Shaft
232383	13957	“ “ “ Hand Crank with 201484c
201468H	13816	Buttonhole Cutting Shaft Hand Crank Cap Screw
201484c	13816	Buttonhole Cutting Shaft Hand Crank Position Screw
203172	13972	Buttonhole Cutting Shaft Hand Crank Washer
255019	-	Buttonhole Cutting Shaft Pulley (loose) with 255021, two each 172D, 210750 and eight 232817 ..
232513	13816	Buttonhole Cutting Shaft Pulley Bushing
232817	13816	Buttonhole Cutting Shaft Pulley Stud
255020	13933	Buttonhole Cutting Shaft Pulley complete, Nos. 255019, two each 255022, 255023 and 350198E
250042	13974	Buttonhole Cutting Starting Lever with 201085c
232718	13973	Buttonhole Cutting Starting Lever Hinge Stud
200530E	13816	Buttonhole Cutting Starting Lever Hinge Stud Set Screw
232064	13816	Buttonhole Cutting Starting Lever Latch

No.	Plate	Name
350148D	13972	Buttonhole Cutting Starting Lever Latch Hinge Screw
201531E	13972	Buttonhole Cutting Starting Lever Latch Hinge Screw Nut
232065	13816	Buttonhole Cutting Starting Lever Latch Spring
201218E	13816	Buttonhole Cutting Starting Lever Latch Spring Screw Stud (2) ..
200E	13816	Buttonhole Cutting Starting Lever Latch Stop Screw
250043	13817	Buttonhole Cutting Starting Lever Plate
200577H	13817	Buttonhole Cutting Starting Lever Plate Screw (2)
201085c	13817	Buttonhole Cutting Starting Lever Restoring Screw Stud
250456	13817	Buttonhole Cutting Starting Lever Safety Plate
208E	13817	Buttonhole Cutting Starting Lever Safety Plate Screw (2)
250044	13817	Buttonhole Cutting Starting Lever Spring
350105E	13816	Buttonhole Cutting Starting Lever Spring Screw Stud
250045	13817	Buttonhole Cutting Trip Lever with 460c
250046	13817	Buttonhole Cutting Trip Lever Bracket
232154	13817	Buttonhole Cutting Trip Lever Bracket Position Pin (2)
161D	13817	Buttonhole Cutting Trip Lever Bracket Screw (2)
2049	13817	Buttonhole Cutting Trip Lever Position Pin
250047	13817	Buttonhole Cutting Trip Lever Safety Lever with 237E
232343	13847	Buttonhole Cutting Trip Lever Safety Lever Position Pin
237E	13817	Buttonhole Cutting Trip Lever Safety Lever Set Screw
460c	13817	Buttonhole Cutting Trip Lever Set Screw
250048	13817	Buttonhole Cutting Trip Lever Shaft
250049	13817	Buttonhole Cutting Trip Lever Spring
201432c	13817	Buttonhole Cutting Trip Screw Stud
1521r	13817	Buttonhole Cutting Trip Screw Stud Nut

No.	Plate	Name
255062	13972	Buttonhole Cutting Trip Screw Stud Shim (.010 in. thick)
255063	13972	Buttonhole Cutting Trip Screw Stud Shim (.025 in. thick)
250050	13834	Driving Wheel (loose)
232110	—	" " with 200395c and two 232113
232112	13834	Driving Wheel Friction Gib
232113	13853	" " " " Position Pin
8873	13972	Driving Wheel Position Pin
200395c	13972	" " Set Screw
251024	13932	" " Stop Cam
251025	13932	" " " " Position Collar with 1036c
1036c	13972	Driving Wheel Stop Cam Position Collar Set Screw
250417	13864	Driving Wheel Stop Cam Spring
200096D	13864	" " " " " Position Screw
350073E	13972	Driving Wheel Stop Cam Stop Screw
232520	13812	Face Plate
641D	13853	" " Screw (2)
232521	13898	Feed Adjusting Gear
250052	13898	" " " Bracket
250053	13898	" " " " Clamping Post
690D	13862	Feed Adjusting Gear Bracket Clamping Post Screw (2)
350113c	13899	Feed Adjusting Gear Bracket Clamping Screw
250473	13972	Feed Adjusting Gear Bracket Clamping Screw Washer
201428c	13899	Feed Adjusting Gear Screw Stud
1518J	13899	" " " " " Nut
250704	13973	Feed Driving Gear (intermediate) with 457c
232721	13899	Feed Driving Gear (intermediate) Position Pin
457c	13811	Feed Driving Gear (intermediate) Set Screw
250055	13899	Feed Driving Gear (intermediate) Shaft
250657	-	Feed Wheel with three 232382
250057	13825	" " Driving Pawl (3)
201385c	13825	" " " " Hinge Screw (3)

No.	Plate	Name
250058	13825	Feed Wheel Driving Pawl Spring (3)
232382	13825	Feed Wheel Driving Pawl Spring Pin
1449H	13825	Feed Wheel Driving Pawl Spring Screw (3)
350071E	13825	Feed Wheel Friction Ring Adjusting Screw
201522E	13825	Feed Wheel Friction Ring Adjusting Screw Lock Nut
232131	13825	Feed Wheel Friction Ring Adjusting Screw Washer (2)
250059	13826	Feed Wheel Friction Ring Bracket
200070c	13825	" " " " " Screw (2)
250060	13826	Feed Wheel Friction Ring Section (long)
250061	13826	Feed Wheel Friction Ring Section (short)
232135	13825	Feed Wheel Friction Ring Spring
232532	13957	" " Ring
250062	13825	" " " Gib (3)
209F	13825	" " " " Screw (6)
201362c	13825	" " Screw Stud
250418	13859	Finger Starting Lever with 250435 and 250436
250419	13859	Finger Starting Lever Hinge Block
350080D	13859	" " " " " Hinge Screw
250420	13859	Finger Starting Lever (intermediate)
255080	—	Finger Starting Lever (intermediate) Bracket with 208E and 991c
208E	13817	Finger Starting Lever (intermediate) Bracket Pinch Screw
158E	13859	Finger Starting Lever (intermediate) Bracket Screw
72D	13856	Finger Starting Lever (intermediate) Hinge Screw
646E	13859	Finger Starting Lever (intermediate) Operating Stud
251292	13975	Finger Starting Lever (intermediate) Operating Stud Collar with 646E
2273	13972	Finger Starting Lever (intermediate) Operating Stud Collar Position Pin

No.	Plate	Name
200097c	13859	Finger Starting Lever Screw
228026	13859	" " " " Washer
251518	15401	" " " Spring
250435	13859	" " " Stud (back)..
250436	13859	" " " " (front)..
232539	13899	Intermittent Feed Driving Wheel with two 465c
*250395	13898	Intermittent Feed Driving Wheel Bracket
232244	13811	Intermittent Feed Driving Wheel Bracket Position Pin (2)
129E	13899	Intermittent Feed Driving Wheel Bracket Screw (4)
250589	13975	Intermittent Feed Driving Wheel Driving Stud
204648	13899	Intermittent Feed Driving Wheel Driving Stud Position Pin
232541	13899	Intermittent Feed Driving Wheel Position Pin
465c	13899	Intermittent Feed Driving Wheel Set Screw
232542	13899	Intermittent Feed Driving Wheel Shaft
250705	13975	Intermittent Feed Driving Wheel Shaft Gear with 465c
232721	13899	Intermittent Feed Driving Wheel Shaft Gear Position Pin
465c	13899	Intermittent Feed Driving Wheel Shaft Gear Set Screw
250064	13900	Loop Retainer (left)
250065	13900	" " " Carrier
251153	13900	" " (right)
250067	13900	" " " Carrier
250068	13900	" " " Adjusting Block (2)..
255055	15402	" " " Cam with 350223c ...
40025	13834	" " " Position Pin
350223E	13972	" " " Set Screw
250070	13900	" " " Carrier Link (2)
201431c	13900	" " " " Screw (4)
250071	13900	" " " Shaft
735E	13900	" " " " Set Screw
250073	13900	" " " Driving Bar
250410	13900	" " " " Collar with 200130c
200130c	13900	Loop Retainer Driving Bar Collar Pinch Screw

No.	Plate	Name
185D	13900	Loop Retainer Screw (2)
250491	13975	" " " Washer (2) ..
250074	13900	" " " Shim (.005 in. thick)..
250449	13900	" " " (.010 in. thick)..
250450	13900	" " " (.020 in. thick)..
250537	13900	" " " (.030 in. thick)..
250075	13842	" " " Slide with 201943
250076	13900	" " " Gib (lower) (2)..
250077	13900	" " " " (upper) (2)..
190D	13900	" " " " Screw (6)..
*250078	13900	" " " Guide Extension
40025	13834	" " " " " "
		Position Pin (2)
127D	13900	Loop Retainer Slide Guide Exten- sion Screw (2)
201896	13900	Loop Retainer Slide Roller
201943	" " " " 201896 with 250429
250429	13900	Loop Retainer Slide Roller Stud ..
253472	13901	Looper (non-threaded)
250080	13901	" (threaded)
250081	13842	" Bracket with 735E
201658c	13901	" " Adjusting Nut
201659c	13901	" " " " Locking Nut
23421	Looper Bracket Dogging Hole Plug (leather)
250082	13842	Looper Bracket Frame Chip Guard
401D	13901	" " " " " "
		Screw (2)
232555	13862	Looper Bracket Rotating Gear with 906E
250084	13862	Looper Bracket Rotating Gear Posi- tion Pin
906E	13862	Looper Bracket Rotating Gear Set Screw
250085	13901	Looper Carrier
201433c	13901	" " Hinge Screw
250086	13901	" " Link
201099c	13901	" " " Hinge Screw (2)
250087	13901	" Driving Bar
250088	13901	" " Connection with 1120c, 250471 and two 233D
250471	13901	Looper Driving Connection Plate
233D	13901	" " " " "
		Screw
1120c	13901	Looper Driving Connection Set Screw
250089	13901	Looper Driving Connection Slide Rod

No.	Plate	Name
250090	13901	Looper Driving Connection Slide Rod Bushing (lower)
250091	13901	Looper Driving Connection Slide Rod Bushing (upper)
250092	13901	Looper Driving Crank
250446	13901	" " " Bushing
201176E	13885	" " " " Screw (2)
250094	13901	Looper Driving Crank Gear with 735E
250095	13901	Looper Driving Crank Gear Position Pin
	735E 13900	Looper Driving Crank Gear Set Screw
250096	13901	Looper Driving Crank Link
	199c 13901	" " " " Cap Screw
350278c	13975	Looper Driving Crank Link Hinge Screw
250097	13839	Looper Driving Disc
255035	-----	" " " 250097 with 201435c and 201704E
201435c	13839	Looper Driving Disc Screw Stud
201704E	13839	" " " " " Nut
250098	13839	Looper Driving Gear
	176D 13839	" " " Screw (3)
201898	13839	" " Roller
201953	-----	" " " 201898 with 201144E and 250099 (2)
201144E	13839	Looper Driving Roller Cap Screw
250099	13839	" " " Stud
*250100	13839	" Frame
250462	13840	" " Chip Guard
232866	13840	" " Position Pin (2)
201082E	13840	" " Screw (3)
	190E 13900	" Screw (2)
250101	13840	" " Washer (2)
232270	13840	" Thread and Cord Clamping Spring (long)
232271	13840	Looper Thread and Cord Clamping Spring (short)
200186B	13840	Looper Thread and Cord Clamping Spring Screw
232272	13840	Looper Thread and Cord Cutter
200186B	13840	" " " " " Screw
250425	13840	Looper Thread Controlling Cam
	236D 13840	" " " " " Screw (2)

No.	Plate	Name
250426	13840	Looper Thread Controlling Lever with 201979
250427	13840	Looper Thread Controlling Lever Bracket
	183E 13840	Looper Thread Controlling Lever Bracket Screw (2)
	50061c 13840	Looper Thread Controlling Lever Hinge Screw
201979	13975	Looper Thread Controlling Lever Roller and Stud
250428	13840	Looper Thread Controlling Lever Spring
	1120c 13901	Looper Thread Controlling Lever Spring Screw
253513	15401	Looper Thread Controlling Spring
253488	15401	" " " " Stop
	219E 13856	Looper Thread Controlling Spring Stop Screw
	18859 13840	Looper Thread Guide
250102	13840	" " Leader
	1423F 13840	" " " Screw
	32012 13902	" " Tension Disc (2)
253530	15401	" " " Releaser
253531	13932	" " " " Lever
350224E	13934	" " " " " Hinge Screw
253532	13933	Looper Thread Tension Releaser Lever Rod
253535	13932	Looper Thread Tension Releaser Lever Rod Collar with 237F (2)
	237F 13817	Looper Thread Tension Releaser Lever Rod Collar Set Screw
	1550J 15401	Looper Thread Tension Releaser Nut
	7071 13856	Looper Thread Tension Releaser Nut Washer
253534	13932	Looper Thread Tension Releaser Operating Cam Block with 219F
	219F 13856	Looper Thread Tension Releaser Operating Cam Block Set Screw
253533	13932	Looper Thread Tension Releaser Operating Lever with 237F
	237F 13817	Looper Thread Tension Releaser Operating Lever Set Screw
232515	13902	Looper Thread Tension Spring
	1043c 13902	" " " Stud
	171D 13902	" " " " " Set Screw

No.	Plate	Name
252082	13934	Needle Thread Retainer Tension Disc
252083	13932	Needle Thread Tension Bracket
159D	13934	" " " "
		Screw (2)
32012	13902	Needle Thread Tension Disc (2) ..
154C	13936	" " " Releasing Adjusting Screw
1550J	15401	Needle Thread Tension Releasing Adjusting Screw Nut
255008	15401	Needle Thread Tension Releasing Block with 200E
200E	13816	Needle Thread Tension Releasing Block Set Screw
240D	13936	Needle Thread Tension Releasing Block Stop Screw
32572	13846	Needle Thread Tension Releasing Disc
255009	13933	Needle Thread Tension Releasing Lever
255010	13933	Needle Thread Tension Releasing Lever Bracket
200346C	13936	Needle Thread Tension Releasing Lever Bracket Adjusting Screw
145E	13853	Needle Thread Tension Releasing Lever Bracket Screw (lower) ..
200062H	13936	Needle Thread Tension Releasing Lever Bracket Screw (upper) ..
35D	15401	Needle Thread Tension Releasing Lever Hinge Screw
255011	13936	Needle Thread Tension Releasing Lever Spring
39635	13846	Needle Thread Tension Releasing Pin
255013	13935	Needle Thread Tension Releasing Rod
255014	13936	Needle Thread Tension Releasing Rod Bracket
190D	13900	Needle Thread Tension Releasing Rod Bracket Screw (2)
255015	13936	Needle Thread Tension Releasing Rod Plate
792E	13936	Needle Thread Tension Releasing Rod Plate Screw (2)
208E	13817	Needle Thread Tension Releasing Rod Screw

No.	Plate	Name
13710	13846	Needle Thread Tension Spring ...
1388C	13846	" " " Stud
1560C	13846	" " " Thumb Nut
250140	13848	" Vibrating Adjusting Link
741C	13847	" " " "
		Hinge Screw
350076C	13847	Needle Vibrating Adjusting Stud
1671C	13847	" " " "
		Nut
39532	13847	Needle Vibrating Adjusting Stud Sleeve
250141	13848	Needle Vibrating Bell Crank
250142	13848	" " " " Connection
*38444	---	Needle Vibrating Bell Crank Connection End Bearing (back)
38446	13847	Needle Vibrating Bell Crank Connection End Bearing 38444 with 42524, 50016C and two 175E
50016C	13847	Needle Vibrating Bell Crank Connection End Bearing (back) Ball Screw Stud
1636E	13847	Needle Vibrating Bell Crank Connection End Bearing (back) Ball Screw Stud Nut
*42524	---	Needle Vibrating Bell Crank Connection End Bearing (back) Cap
175E	13936	Needle Vibrating Bell Crank Connection End Bearing (back) Cap Screw
1698C	13847	Needle Vibrating Bell Crank Connection End Bearing (back) Check Nut
*38443	---	Needle Vibrating Bell Crank Connection End Bearing (front)
250143	13847	Needle Vibrating Bell Crank Connection End Bearing 38443 with 42525, 201449C and two 175E
201449C	13847	Needle Vibrating Bell Crank Connection End Bearing (front) Ball Screw
*42525	---	Needle Vibrating Bell Crank Connection End Bearing (front) Cap
175E	13936	Needle Vibrating Bell Crank Connection End Bearing (front) Cap Screw
1697C	13847	Needle Vibrating Bell Crank Connection End Bearing (front) Check Nut

No.	Plate	Name
45c	13847	Needle Vibrating Bell Crank Hinge Screw
250144	13848	Needle Vibrating Lever
255034	13936	" " " Hinge Stud
443c	13936	" " " " " "
		Set Screw
232420	13848	Needle Vibrating Ring with 462c...
232421	13847	" " " Guide Stud
200083E	13847	" " " " " "
		Set Screw
232343	13847	Needle Vibrating Ring Position Pin
462c	13847	" " " Set Screw ..
250145	13848	" " Rod
250146	13848	" " " Guide with 1230E
232343	13847	" " " Position Pin
1230E	13851	" " " Set Screw...
250147	13847	" " Switch
200308E	13847	" " " Hinge Screw.
255303		Pattern Wheel, for $\frac{3}{4}$ in. Taper Bar (large eye) Buttonhole, bar adjustable from $\frac{1}{4}$ to $\frac{3}{4}$ inch
250732	15402	Pattern Wheel Cam Block
175E	13936	" " " " Screw ..
201668E	13904	" " Clamping Nut
250148	13904	Pattern Wheel Position Stud
250372	13904	" " Rapid Feed Trip Point
203E	13860	Pattern Wheel Rapid Feed Trip Point Screw
251496	13974	Pattern Wheel Ring (adjustable) ..
251428	----	" " " 251496 with 252662, 252663, two each 211E and 250444
252662	15401	Pattern Wheel Ring Adjusting Segment (curved rise)
252663	15401	Pattern Wheel Ring Adjusting Segment (straight drop)
211E	13904	Pattern Wheel Ring Adjusting Segment Screw
250444	13904	Pattern Wheel Ring Adjusting Segment Screw Washer
391D	13904	Pattern Wheel Ring Screw
255304	---	" " for $\frac{3}{4}$ in. Taper Bar (large eye) Buttonhole, bar adjustable from $\frac{1}{4}$ to $\frac{3}{4}$ in., complete, Nos. 250732, 251428, 255303, two each 175E, 203E, 250372 and three 391D

No.	Plate	Name
250149	13974	Pattern Wheel Shaft with 250148...
250150	13906	" " " Bevel Gear with 168D
40025	13834	Pattern Wheel Shaft Bevel Gear Position Pin
168D	13904	Pattern Wheel Shaft Bevel Gear Set Screw
250151	13906	Pattern Wheel Shaft Bushing (left)
145E	13853	" " " " " "
		Screw (2)
250152	13906	Pattern Wheel Shaft Bushing (right)
647E	13853	Pattern Wheel Shaft Bushing (right) Screw (2)
232600	13851	Pattern Wheel Shaft Collar with two 453c
453c	13851	Pattern Wheel Shaft Collar Set Screw
250154	13851	Rapid Feed Clutch Disengaging Lever (3)
253481	13935	Rapid Feed Clutch Disengaging Sleeve
250156	13851	Rapid Feed Clutch Driving Disc
1230E	13851	" " " " " "
		Screw (4)
201897	13851	Rapid Feed Clutch Roller (3)
255095	13932	" " " " " Carrier with 624E
40025	13834	Rapid Feed Clutch Roller Carrier Position Pin
624E	13851	Rapid Feed Clutch Roller Carrier Set Screw
250153	13851	Rapid Feed Clutch Roller Retainer (3)
208E	13817	Rapid Feed Clutch Roller Retainer Screw (3)
255096	13936	Rapid Feed Clutch Roller Spring (3)
255097	13936	Rapid Feed Clutch Roller Spring Guide Pin (3)
250158	13851	Rapid Feed Crank Shaft
250159	13851	" " " " " Bushing (back)
250160	13851	Rapid Feed Crank Shaft Bushing (back) Oil Tube (lower) (brass)
250495	13851	Rapid Feed Crank Shaft Bushing (back) Oil Tube (upper) (brass)
250161	13851	Rapid Feed Crank Shaft Bushing (front)

No.	Plate	Name
436c	13851	Rapid Feed Crank Shaft Bushing Set Screw (2)
232600	13851	Rapid Feed Crank Shaft Collar with two 453c
453c	13851	Rapid Feed Crank Shaft Collar Set Screw
250452	13852	Rapid Feed Crank Shaft Gear with 458c
232719	13853	Rapid Feed Crank Shaft Gear Position Pin
458c	13853	Rapid Feed Crank Shaft Gear Set Screw
202260	----	Rapid Feed Crank Shaft Oil Packing (wick) (2)
250163	13852	Rapid Feed Driving Gear
250398	15403	" " " " Key
250164	13852	" " Gear Guard
641D	13853	" " " " Screw (2)...
250534	13852	" " Intermediate Gear (bronze)
201447c	13853	Rapid Feed Intermediate Gear Screw Stud
1510E	13853	Rapid Feed Intermediate Gear Screw Stud Nut
250167	13852	Rapid Feed Intermediate Gear Screw Stud Nut Washer
250405	13853	Rapid Feed Intermediate Gear Screw Stud Washer
253536	13935	Rapid Feed Pawl Bell Crank with 202299
11c	13853	Rapid Feed Pawl Bell Crank Hinge Screw
202299	----	Rapid Feed Pawl Bell Crank Oil Packing (wick)
250171	13853	Rapid Feed Pawl Bell Crank Slide Block Section (2)
250172	13853	Rapid Feed Pawl Guide
181D	13853	" " " " Screw (2)
350260c	13936	" " " " Hinge Screw ...
1655E	15403	" " " " " Nut
252266	13935	" " Slide Bar
250174	13852	" " " " Bushing (left)
145E	13853	Rapid Feed Slide Bar Bushing (left) Screw (2)
250175	13852	Rapid Feed Slide Bar Bushing (right)
647E	13853	Rapid Feed Slide Bar Bushing (right) Screw (2)

No.	Plate	Name
252269	13936	Rapid Feed Slide Bar Collar with 448c
49025	13834	Rapid Feed Slide Bar Collar Position Pin
448c	13862	Rapid Feed Slide Bar Collar Set Screw
252267	13935	Rapid Feed Slide Bar Fork Connection with 889c
253538	15403	Rapid Feed Slide Bar Fork Connection Extension Plate
176D	13839	Rapid Feed Slide Bar Fork Connection Extension Plate Screw (2)...
200603F	13853	Rapid Feed Slide Bar Fork Connection Position Screw
201448c	15403	Rapid Feed Slide Bar Fork Connection Screw Stud
889c	13853	Rapid Feed Slide Bar Fork Connection Set Screw
252306	13935	Rapid Feed Slide Bar Lock
252271	13936	" " " " " Block
232055	13816	" " " " " " " Position Pin
704E	15403	Rapid Feed Slide Bar Lock Block Screw (2)
350262E	13936	Rapid Feed Slide Bar Lock Hinge Screw
250409	15403	Rapid Feed Slide Bar Lock Spring
1241E	13895	" " " " " " " Screw Eye
250194	13856	Rapid Feed Slide Bar Lock Trip
56c	13856	" " " " " " " Hinge Screw
252273	13936	Rapid Feed Slide Bar Spring
350293E	13936	" " " " " " Cap Screw
252274	13936	Rapid Feed Slide Bar Spring Washer
250180	15403	Rapid Feed Starting Latch
199c	13901	" " " " " Cap Screw
201446c	13856	Rapid Feed Starting Latch Hinge Screw Stud
250181	15402	Rapid Feed Starting Lever with 1454E
255053	13935	Rapid Feed Starting Lever (operated by stop motion) with 704c, 1454E, 203213 and 255054
255064	15403	Rapid Feed Starting Lever Latch
350256c	15403	" " " " " " Hinge Screw

No.	Plate	Name
255092	15403	Rapid Feed Starting Lever Latch Spring
217E	13864	Rapid Feed Starting Lever Latch Spring Screw
253512	15403	Rapid Feed Starting Lever Latch Stop Washer
193D	13862	Rapid Feed Starting Lever Latch Stop Washer Screw
1330c	15403	Rapid Feed Starting Lever Operating Screw Stud
201445E	15403	Rapid Feed Starting Lever Position Screw (2)
1454E	13883	Rapid Feed Starting Lever Set Screw
250185	13855	Rapid Feed Starting Lever Shaft
250186	15403	Collar (left) with 200113c
204197	15403	Rapid Feed Starting Lever Shaft Collar (right) with 200113c
200113F	15403	Rapid Feed Starting Lever Shaft Collar Set Screw
250409	15403	Rapid Feed Starting Lever Spring
1241E	13895	Screw Eye
255054	13936	Rapid Feed Starting Lever Stud ..
704c	15403	Set Screw
203213	13936	Rapid Feed Starting Lever Stud Spring
253537	13935	Rapid Feed Starting Pawl
250188	15403	Spring
201454E	15403	Screw Eye
250189	13855	Rapid Feed Starting Trip Lever with 1454E
201445E	15403	Rapid Feed Starting Trip Lever Position Screw
201437c	15403	Rapid Feed Starting Trip Lever Screw Stud
1454c	13883	Rapid Feed Starting Trip Lever Set Screw
251168	13856	Rapid Feed Tripping Pawl
350109c	13856	Hinge Screw
251169	13856	Rapid Feed Tripping Pawl Lever
250432	13856	Bracket
232154	13817	Rapid Feed Tripping Pawl Lever Bracket Position Pin (2)

No.	Plate	Name
350110c	13856	Rapid Feed Tripping Pawl Lever Bracket Screw
14017	13856	Rapid Feed Tripping Pawl Lever Bracket Screw Washer
72c	13856	Rapid Feed Tripping Pawl Lever Hinge Screw
232083	13937	Rapid Feed Tripping Pawl Spring
1241E	13895	Screw Eye
1242E	13937	Rapid Feed Tripping Pawl Spring Screw Stud
250195	13855	Rapid Feed Worm with 453c
25362		Ball
250196	13855	Bearing Cup
225007	13856	Retainer with eight 25362
232244	13814	Rapid Feed Worm Position Pin ..
453c	13851	Set Screw
250197	13855	Wheel
250198	13855	Collar with two 453c
453c	13851	Rapid Feed Worm Wheel Collar Set Screw
202244		Rapid Feed Worm Wheel Oil Packing (wick)
250199	13860	Starting Bell Crank
3c	13860	Hinge Screw ..
250200	13860	Latch
648D	13860	Hinge Screw
250201	13860	Spring
203E	13860	Screw
250202	13860	Rod
250203	13860	Block with 203E
2273	13972	Position Pin
203E	13860	Set Screw
40043	13860	Collar with 209c (2) ..
209c	13825	Set Screw
250204	13860	Lock
946D	13860	Hinge Screw
250205	13860	Spring
213D	13860	Screw
250206	13860	Washer
250207	13857	Safety Lock
38D	13857	Hinge Screw
226467	13857	Washer
250423	13859	Starting Rod Spring
201160E	13860	Screw Eye ...

No.	Plate	Name
250210	—	Stitch Regulating Gear, 22 teeth ..
250211	—	“ “ “ 26 teeth ..
250212	13899	“ “ “ 28 teeth ..
Note: No. 250212 is furnished with this Machine unless another Stitch Regulating Gear is specified on order.		
250598	—	Stitch Regulating Gear, 30 teeth ..
250213	13899	“ “ “ 33 teeth ..
250214	13899	“ “ “ 34 teeth ..
250415	13899	“ “ “ 38 teeth ..
250478	—	“ “ “ 42 teeth ..
201660c	13899	“ “ “ Lock Nut.
250215	13861	“ Rotating Lever (lower) with 458c ..
201442E	13862	Stitch Rotating Lever (lower) Position Screw ..
201871	13862	Stitch Rotating Lever (lower) Roller ..
350066c	13862	Stitch Rotating Lever (lower) Roller Screw Stud ..
201666E	13862	Stitch Rotating Lever (lower) Roller Screw Stud Nut ..
458c	13853	Stitch Rotating Lever (lower) Set Screw ..
232591	13861	Stitch Rotating Lever (upper) with 448c ..
40025	13834	Stitch Rotating Lever (upper) Position Pin ..
448c	13862	Stitch Rotating Lever (upper) Set Screw ..
232807	13862	Stitch Rotating Lever Connection (front section) (lower) ..
232593	13862	Stitch Rotating Lever Connection (front section) (upper) ..
232808	13862	Stitch Rotating Lever Connection (rear section) (lower) ..
232592	13862	Stitch Rotating Lever Connection (rear section) (upper) ..
58F	13862	Stitch Rotating Lever Connection Hinge Screw (4) ..
172D	13862	Stitch Rotating Lever Connection Screw (lower) ..
193D	13862	Stitch Rotating Lever Connection Screw (upper) ..
39504	13862	Stitch Rotating Lever Connection Screw Washer (lower) ..
232717	13862	Stitch Rotating Lever Connection Screw Washer (upper) ..

No.	Plate	Name
232764	—	Stitch Rotating Lever Connection (lower) complete, Nos. 232807, 232808, two each 172D and 39504
250490	—	Stitch Rotating Lever Connection (upper) complete, Nos. 232592, 232593, 232717 and two 193D ..
250394	13861	Stitch Rotating Lever Rock Shaft
250216	13861	“ “ Sector (lower) ..
232597	13861	“ “ “ “ Bracket 690D 13862
226163	13862	“ “ “ “ “ Screw ..
350087c	13862	Stitch Rotating Sector (lower) Bracket Screw Washer ..
250217	13861	Stitch Rotating Sector (lower) Hinge Screw ..
232599	13861	Stitch Rotating Sector (upper) “ “ “ “ Bracket ..
201395D	13862	Stitch Rotating Sector (upper) Bracket Screw (2) ..
23414	13862	Stitch Rotating Sector (upper) Position Collar with two 453c ..
453c	13851	Stitch Rotating Sector (upper) Position Collar Set Screw ..
251926	13933	Stop Lever with 200352c ..
232262	13777	“ “ Bracket ..
350263E	15403	“ “ “ Screw ..
250218	13777	“ “ Crank with 453c ..
40025	13834	“ “ “ Position Pin ..
453c	13851	“ “ “ Set Screw ..
232263	13864	“ “ Friction Pad (rawhide)
200110D	13811	“ “ “ “ Screw (2)
255523	15403	“ “ Interlocking Slide ..
201084c	13864	“ “ “ “ Adjusting Screw ..
201628E	13864	Stop Lever Interlocking Slide Adjusting Screw Nut ..
1178D	13864	Stop Lever Interlocking Slide Screw
232265	13864	“ “ “ “ “ Washer ..
250416	13864	Stop Lever Interlocking Slide Spring ..
250219	13777	Stop Lever Link ..
250220	13777	“ “ “ Connection ..
250221	13864	“ “ “ “ Locking Pin ..
250222	13864	Stop Lever Link Connection Locking Pin Spring ..
217D	13864	Stop Lever Link Connection Locking Pin Spring Screw (2) ..

No.	Plate	Name
350225D	13937	Stop Lever Link Connection Screw (back)
807D	13895	Stop Lever Link Connection Screw (front)
64c	13901	Stop Lever Link Hinge Screw
250223	13777	" " Operating Lever
11c	13853	" " " " Hinge Screw
250224	13864	Stop Lever Operating Plate
157c	13864	" " " " Screw
39541	13864	" " " " Washer
40025	13834	Stop Lever Position Pin
200352c	13864	" " Set Screw
250225	13777	" " Shaft
250404	13864	" " Spring
201110b	13864	" " " Screw
250448	15403	Throat Plate, for flat puri
250447	13902	" " Adjusting Block
176b	13839	" " Screw
250560	13937	" " Washer
250590	13777	Vertical Shaft with two each 201648 and 250589
255522	13935	Vertical Shaft Bevel Gear (lower) with two 453c
232719	13853	Vertical Shaft Bevel Gear (lower) Position Pin
250227	13777	Vertical Shaft Bevel Gear (upper) (order Position Screw or Set Screw as required)
40025	13834	Vertical Shaft Bevel Gear (upper) Position Pin
350223E	13972	Vertical Shaft Bevel Gear Position Screw
453c	13851	Vertical Shaft Bevel Gear Set Screw
250396	13777	Vertical Shaft Bushing (lower)
200100E	13811	" " " " " Screw (2)
232710	13777	Vertical Shaft Bushing (upper)
575c	13811	" " " " " Set Screw
250523	15404	Work Clamp Arm (left)
250524	15404	" " " (right)
250525	15408	" " " Bracket (Left)
250507	-----	" " " " " 250525 with 250268, 250551, 250552, 253666 and three 2269

No.	Plate	Name
250526	15408	Work Clamp Arm Bracket (right)
255058	-----	" " " " " 250526 with 250266, 250528, 250529, 253666 and three 2269
201129D	13937	Work Clamp Arm Bracket Screw (back)
253666	13937	Work Clamp Arm Cam with 209r
2269	13895	" " " " Position Pin
209r	13825	" " " " Set Screw
250552	13937	" " " " Shaft (left)
250528	13937	" " " " " (right)
201237E	13937	" " " " Stop Screw
201537H	13937	" " " " " " Nut
252184	13937	Work Clamp Arm Hinge Block
350123E	13937	" " " " " Hinge Screw
200051E	13883	Work Clamp Arm Screw
13218	13937	" " " Spring
350136E	13937	" " " " Screw
253496	15404	" " Base (left) with 232304
255322	-	" " " " " 253496 with 93H, 194c, 217E, 602E, 792D, 991E, 1443E, 1550E, 7071, 10249, 13218, 200051E, 200097c, 201237E, 201537H, 228026, 232306, 232311, 232312, 250236, 250241, 250418, 250419, 250523, 250619, 250653, 251518, 251519, 252184, 252202, 255003, 255016, 255057, 350080D, 350136E, two each 207E, 201121D, 201129D, 350123E and eight 93H
250136	15404	Work Clamp Base (left) Guard
93H	15405	" " " " " " Screw
253197	15404	Work Clamp Base (right) with 232304
255323	-	Work Clamp Base (right) 253497 with 93D, 602E, 792D, 991E, 1443E, 1550E, 13218, 200051E, 201237E, 201537H, 232270 to 232272, 232306, 232311, 232312, 250238, 250242, 250275, 250524, 250620, 250654, 252184, 252202, 255003, 255016, 255058, 350136E, two each 200186E, 201121D, 201129D, 350123E, four 207E and eight 93H
250238	15404	Work Clamp Base (right) Guard
93H	15405	" " " " " " Screw

No.	Plate	Name
250653	15408	Work Clamp Base Clamping Plate (left)
250654	15408	Work Clamp Base Clamping Plate (right)
934H	15405	Work Clamp Base Clamping Plate Screw
232304	15405	Work Clamp Base Hinge Stud ..
232678	15405	" " " Locking Spring (left)
232679	15405	Work Clamp Base Locking Spring (right)
792D	13936	Work Clamp Base Locking Spring Screw (2)
39541	13864	Work Clamp Base Locking Spring Screw Washer (2)
250439	13937	Work Clamp Base Retaining Stud
250241	15405	" " " Spring (left) ..
250242	15405	" " " " (right) ..
232306	15405	" " " " (front)
232311	15405	" " " " " " " " Catch
350215E	15405	Work Clamp Base Spring (front) Catch Stud (2)
934I	15405	Work Clamp Base Spring (front) Screw
1443F	13937	Work Clamp Base Spring Screw
201451E	15405	" " " " " " Stud (2)
232309	15405	Work Clamp Base Stop Block
232310	15405	" " " " " " Position Pin (2)
201148H	15405	Work Clamp Base Stop Block Screw (2)
253502	15404	Work Clamp Carrier Base Plate with 250439
232462	13826	Work Clamp Carrier Base Plate Slide Rod
201643E	13825	Work Clamp Carrier Base Plate Slide Rod Nut
200119D	13937	Work Clamp Carrier Base Plate Slide Rod Set Screw
250244	13826	Work Clamp Carrier Feed Lever
350185C	13937	" " " " " " Hinge Screw
250245	13825	Work Clamp Carrier Feed Lever Link
250246	13825	Work Clamp Carrier Feed Lever Link Block
50168E	13825	Work Clamp Carrier Feed Lever Link Block Screw (2)

No.	Plate	Name
350070C	13825	Work Clamp Carrier Feed Lever Link Hinge Screw (block end) ..
350216C	15405	Work Clamp Carrier Feed Lever Link Hinge Screw (lever end) ..
201868	13825	Work Clamp Carrier Feed Lever Roller
201988	---	Work Clamp Carrier Feed Lever Roller 201868 with 255075 and 350072E
350072E	13825	Work Clamp Carrier Feed Lever Roller Cap Screw
255075	13937	Work Clamp Carrier Feed Lever Roller Stud
255076	13937	Work Clamp Carrier Feed Lever Roller Stud Washer
250248	13974	Work Clamp Carrier Side Throw Lever (lower section) with 201097C and 201530E
250249	13974	Work Clamp Carrier Side Throw Lever (upper section) with 201374E and 201937
250599	13937	Work Clamp Carrier Side Throw Lever Hinge Stud
250600	13937	Work Clamp Carrier Side Throw Lever Hinge Stud Collar with two 448C
448C	13862	Work Clamp Carrier Side Throw Lever Hinge Stud Collar Set Screw
435C	13885	Work Clamp Carrier Side Throw Lever Hinge Stud Set Screw ...
250250	13825	Work Clamp Carrier Side Throw Lever Lock Pin with 201940 and 350072E
201940	13825	Work Clamp Carrier Side Throw Lever Lock Pin Roller
350072E	13825	Work Clamp Carrier Side Throw Lever Lock Pin Roller Cap Screw
201430C	13825	Work Clamp Carrier Side Throw Lever Lock Pin Screw Stud
250251	15405	Work Clamp Carrier Side Throw Lever Lock Pin Spring
191C	13825	Work Clamp Carrier Side Throw Lever Lock Pin Spring Screw (2)
201873	13825	Work Clamp Carrier Side Throw Lever Roller
201937	13825	Work Clamp Carrier Side Throw Lever Roller 201873 with 201144E and 232686

No.	Plate	Name
201144E	13839	Work Clamp Carrier Side Throw Lever Roller Cap Screw
232686	13826	Work Clamp Carrier Side Throw Lever Roller Stud
201374E	13826	Work Clamp Carrier Side Throw Lever Roller Stud Cap Screw ..
232321	13826	Work Clamp Carrier Side Throw Lever Slide Block
250252	13826	Work Clamp Carrier Side Throw Lever Slide Block Guide
231c	13826	Work Clamp Carrier Side Throw Lever Slide Block Guide Screw (3)
201097c	13826	Work Clamp Carrier Side Throw Lever Slide Block Screw Stud ..
201530E	13826	Work Clamp Carrier Side Throw Lever Slide Block Screw Stud Nut
250253	15404	Work Clamp Carrier Slide (left) with 200119d
250254	15404	Work Clamp Carrier Slide (right) with 200119d
255082	13938	Work Clamp Carrier Slide Adjusting Bracket with 255061 and two 208d
236d	13840	Work Clamp Carrier Slide Adjusting Bracket Screw (2)
208d	13817	Work Clamp Carrier Slide Adjusting Screw
255061	13938	Work Clamp Carrier Slide Adjusting Screw Locking Plate
255509	13938	Work Clamp Carrier Slide Gib (left, back)
255510	13938	Work Clamp Carrier Slide Gib (left, front)
255511	13938	Work Clamp Carrier Slide Gib (right, back)
255512	13938	Work Clamp Carrier Slide Gib (right, front)
1094E	13883	Work Clamp Carrier Slide Gib Screw
250255	15404	Work Clamp Carrier Slide Stay Plate
250597	13938	Work Clamp Carrier Slide Stay Plate Position Pin (2)
231c	13826	Work Clamp Carrier Slide Stay Plate Screw (5)
250619	15406	Work Clamp Check (left) with 1296E

No.	Plate	Name
250620	15406	Work Clamp Check (right) with 1296E
602E	15406	Work Clamp Check Screw
1296E	15406	" " " Stop Screw ...
252194	13823	" " Closing Lever
250266	15407	" " " " (hand) with 209E
2269	13895	Work Clamp Closing Lever (hand) Position Pin
209E	13825	Work Clamp Closing Lever (hand) Set Screw
252196	13823	Work Clamp Closing Lever Adjusting Arm with 201531u, 201948 and 228026
1178E	13864	Work Clamp Closing Lever Adjusting Arm Screw
14017	13856	Work Clamp Closing Lever Adjusting Arm Screw Washer
255021	13935	Work Clamp Closing Lever Cam Groove Protector
210750	15407	Work Clamp Closing Lever Cam Groove Protector Position Pin ..
172d	13862	Work Clamp Closing Lever Cam Groove Protector Screw
255022	13938	Work Clamp Closing Lever Cam Safety Latch
350198E	13938	Work Clamp Closing Lever Cam Safety Latch Hinge Screw
255023	13938	Work Clamp Closing Lever Cam Safety Latch Spring
250261	13891	Work Clamp Closing Lever Disengaging Block
183c	13840	Work Clamp Closing Lever Disengaging Block Screw
250406	13891	Work Clamp Closing Lever Disengaging Block Shim (.005 in. thick)
250407	13891	Work Clamp Closing Lever Disengaging Block Shim (.010 in. thick)
255068	13938	Work Clamp Closing Lever Engaging Stud
250263	13823	Work Clamp Closing Lever Engaging Stud Latch
250264	13891	Work Clamp Closing Lever Engaging Stud Latch Spring
1241E	13895	Work Clamp Closing Lever Engaging Stud Latch Spring Screw Eye
201956	13891	Work Clamp Closing Lever Engaging Stud Roller

No.	Plate	Name
255069	13938	Work Clamp Closing Lever Engaging Stud Roller Cap
350133E	13891	Work Clamp Closing Lever Engaging Stud Screw
250265	13891	Work Clamp Closing Lever Engaging Stud Spring
255070	---	Work Clamp Closing Lever Engaging Stud complete, Nos.201956, 255068, 255069 and 350133E
201438C	13891	Work Clamp Closing Lever Hinge Screw
201947	13891	Work Clamp Closing Lever Roller
201948	13891	" " " " "
		201947 with 350156E
350156E	13891	Work Clamp Closing Lever Roller Screw Stud
201531H	13972	Work Clamp Closing Lever Roller Screw Stud Nut
228026	13859	Work Clamp Closing Lever Roller Screw Stud Washer
250267	13891	Work Clamp Closing Lever Spring
1241E	13895	" " " " "
		Screw Eye (2)
991C	13891	Work Clamp Closing Lever Stop Screw
250268	15407	Work Clamp Connection Lever (left) with 209F
250529	15407	Work Clamp Connection Lever (right) with 209F
2269	13895	Work Clamp Connection Lever Position Pin
209F	13825	Work Clamp Connection Lever Set Screw
250270	15402	Work Clamp Opening Bell Crank with 1819
659D	13895	Work Clamp Opening Bell Crank Hinge Screw
1819	13895	Work Clamp Opening Bell Crank Roller and Stud
232200	13895	Work Clamp Opening Bell Crank Spring
1241E	13895	Work Clamp Opening Bell Crank Spring Screw Eye
253680	15407	Work Clamp Opening Cam with 462C
12509	15407	Work Clamp Opening Cam Position Pin
462C	13847	Work Clamp Opening Cam Set Screw

No.	Plate	Name
250551	13895	Work Clamp Opening Lever with 1253C
251519	13939	Work Clamp Opening Lever Latch
253679	15407	" " " " "
		Releasing Bracket with 200E, 1547J and 350218C
200E	13816	Work Clamp Opening Lever Latch Releasing Bracket Set Screw ..
350218C	15407	Work Clamp Opening Lever Latch Releasing Screw
1547J	15407	Work Clamp Opening Lever Latch Releasing Screw Check Nut
10249	13939	Work Clamp Opening Lever Latch Spring
217E	13864	Work Clamp Opening Lever Latch Spring Screw
7071	13856	Work Clamp Opening Lever Latch Spring Screw Washer
194C	13856	Work Clamp Opening Lever Latch Stop Screw
2269	13895	Work Clamp Opening Lever Position Pin
1253C	13895	Work Clamp Opening Lever Set Screw
255077	13939	Work Clamp Opening Rod
255079	---	Work Clamp Opening Rod complete, Nos. 203C, 1662J, 250287, 255077 and 255078
255078	13939	Work Clamp Opening Rod Connection
807D	13895	Work Clamp Opening Rod Connection Hinge Screw
250274	13895	Work Clamp Opening Rod Guide with 808E
808E	13895	Work Clamp Opening Rod Guide Pinch Screw
1662J	13939	Work Clamp Opening Rod Nut ...
250275	13895	" " " Stop (adjustable)
207F	13895	Work Clamp Opening Stop Screw
250276	15407	" " Spreader (left)
350140D	15407	" " " " Screw
250277	15407	" " " (right)
201463D	15407	" " " " Screw ..
991E	13891	" " " Adjusting Screw
252202	13953	" " " " "
		Bracket
207F	13895	Work Clamp Spreader Adjusting Screw Bracket Screw

No.	Plate	Name
1550J	15401	Work Clamp Spreader Adjusting Screw Nut
250279	15404	Work Clamp Spreader Base Plate
50058D	15407	" " " " " Screw (2)
253503	15401	Work Clamp Spreader Cam
253504	15407	" " " " Crank with 906c
2269	13895	Work Clamp Spreader Cam Crank Position Pin
906c	13362	Work Clamp Spreader Cam Crank Set Screw
253505	13953	Work Clamp Spreader Connection
253506	13953	" " " " " Bracket with 201981
1981	13953	Work Clamp Spreader Connection Bracket Roller
201981	13953	Work Clamp Spreader Connection Bracket Roller 1981 with 253524
253524	15407	Work Clamp Spreader Connection Bracket Roller Stud
208E	13817	Work Clamp Spreader Connection Bracket Screw (2)
201453c	13953	Work Clamp Spreader Connection Hinge Screw
250281	13953	Work Clamp Spreader Connection Link (left)
253507	13953	Work Clamp Spreader Connection Link (right)
201452E	15407	Work Clamp Spreader Connection Link Hinge Screw (2)
253508	13953	Work Clamp Spreader Lever (front)
940F	13953	" " " " " Hinge Screw
194c	13856	Work Clamp Spreader Lever (front) Screw Stud
253509	13953	Work Clamp Spreader Operating Fork Lever
212D	13825	Work Clamp Spreader Operating Fork Lever Cap Screw
253510	15402	Work Clamp Spreader Operating Fork Lever Connection
106c	13953	Work Clamp Spreader Operating Fork Lever Connection Hinge Screw (front)
99c	13953	Work Clamp Spreader Operating Fork Lever Connection Hinge Screw (rear)
350138E	13939	Work Clamp Spreader Operating Fork Lever Hinge Screw

No.	Plate	Name
255081	13939	Work Clamp Spreader Operating Fork Lever Stop Plate
203E	13860	Work Clamp Spreader Operating Fork Lever Stop Plate Screw ..
7071	13856	Work Clamp Spreader Operating Fork Lever Stop Plate Screw Washer
250285	15407	Work Clamp Spreader Operating Pawl
252512	13953	Work Clamp Spreader Operating Pawl Adjusting Block
176D	13839	Work Clamp Spreader Operating Pawl Adjusting Block Screw
7071	13856	Work Clamp Spreader Operating Pawl Adjusting Block Screw Washer
132E	15407	Work Clamp Spreader Operating Pawl Adjusting Screw
201669E	15407	Work Clamp Spreader Operating Pawl Adjusting Screw Nut
741c	13847	Work Clamp Spreader Operating Pawl Hinge Screw
250286	15407	Work Clamp Spreader Operating Pawl Spring
201314c	15407	Work Clamp Spreader Operating Pawl Stop Screw
252513	- -	Work Clamp Spreader Operating Pawl complete, Nos. 176D, 7071, 250285 and 252512
232312	13953	Work Clamp Spreader Plate (2) ..
201121D	13953	" " " " Screw (1)
250287	13939	Work Clamp Spreader Releaser
203c	13860	" " " " " Screw
201314c	15407	Work Clamp Spreader Screw Stud (2)
253525	13953	Work Clamp Spreader Stop Plate
237F	13817	" " " " " Screw
255003	13939	Work Clamp Spring
255016	13939	" " " " Wear Plate
792D	13936	" " " " " Screw

MACHINE No. 99w77

Same as Machine No. 99w76 with the following exceptions:

No.	Plate	Name
250766	15411	Buttonhole Cutting Block (steel), $\frac{3}{8}$ in. Eye or Taper Bar, in place of 255318
250736	—	Buttonhole Cutting Knife (.126 x .180 eye), in place of 250664
250701	—	Feed Wheel with three 232382, in place of 250657
250751	—	Pattern Wheel, for $\frac{3}{8}$ in. Taper Bar (large eye) Buttonhole, bar adjustable from $\frac{1}{4}$ to $\frac{1}{2}$ in., in place of 255303
252659	13974	Pattern Wheel Ring, in place of 251496
252661	—	Pattern Wheel Ring 252659 with 252662, 262663, two each 211E and 250444, in place of 251428
250752	—	Pattern Wheel, for $\frac{3}{8}$ in. Taper Bar (large eye) Buttonhole, bar adjustable from $\frac{1}{4}$ to $\frac{1}{2}$ in., complete, Nos. 250732, 250751, 252661, two each 175E, 203E 250372 and three 391D, in place of 255304
250755	15404	Work Clamp Arm (left), in place of 250523
250756	15404	Work Clamp Arm (right), in place of 250524
250769	—	Work Clamp Base (left) 253496 with 93H, 194C, 217E, 602E, 792D, 991E, 1443E, 1550J, 7071, 10249, 13218, 200051E, 200097C, 201237E, 201537H, 228026, 232306, 232311, 232312, 250236, 250241, 250418, 250419, 250706, 250755, 250757, 251518, 251519, 252184, 252202, 255003, 255016, 255057, 350080D, 350136E, two each 207E, 201121D, 201129D, 350123E and eight 934H, in place of 255322
250770	—	Work Clamp Base (right) 253497 with 93H, 602E, 792D, 991E, 1443E, 1550J, 13218, 200051E, 201237E, 201537H, 232270 to 232272, 232306, 232311, 232312, 250238, 250242, 250275, 250707, 250756, 250758, 252184, 252202, 255003, 255016, 255058, 350136E, two each 200186B, 201121D, 201129D, 350123E, four 207E and eight 934H, in place of 255323
250706	15408	Work Clamp Base Clamping Plate (left), in place of 250653
250707	15408	Work Clamp Base Clamping Plate (right), in place of 250654
250757	15406	Work Clamp Check (left) with 1296E, in place of 250619
250758	15406	Work Clamp Check (right) with 1296E, in place of 250620

MACHINE No. 99w79

Same as Machine No. 99w76 with the following exceptions:

No.	Plate	Name
252502	15412	Buttonhole Cutting Knife (.126 x .180 eye), in place of 250664
250035	13973	Buttonhole Cutting Lever Bracket with 200089D, in place of 250530
251152	13972	Cord Leader (lower)
185H	13900	" " " " Screw
250444	13904	" " " " Washer ..
252503	13942	" " (upper)
250497	13942	" " " " Gib
223D	13902	" " " " Screw
202603	13900	" " " " Washer ...
250498	13942	" " " " Slide
250499	13942	" " " " Cap Plate ..
200161D	13942	" " " " Screw
250500	13942	" " " " Spring
252532	13942	" " " " Wire
252524	---	Cord Leader (upper) complete, Nos. 223D, 202603, 250497 to 250500, 252503 and two 200161D
201710D	13942	Cord Spool Adjusting Thumb Nut
350163D	13942	" " " " " "
		Clamping Screw
350162E	13942	Cord Spool Tension Stud
252533	13942	" " " " Bracket (upper)
10111	13941	Cord Spool Tension Stud Cone
10112	13941	" " " " " " Spring
1520J	13856	" " " " " " Nut
252506	---	Cording Device complete, Nos. 252524, 252532 and 252535
350074E	13972	Feed Adjusting Gear Bracket Clamping Screw, in place of 350113C
252601	13957	Feed Wheel with three 232382, in place of 250657
252507	13975	Looper (threaded), in place of 250080
252508	15402	Needle Driving Bar, in place of 250106
252525	15401	Needle Holder Gauge Plate, in place of 250111

No.	Plate	Name
252509	15401	Needle Holder Slide, in place of 255074
252526	15401	Needle Holder Slide Lever with 252630, in place of 250114
350147C	15401	Needle Holder Slide Lever Hinge Screw, in place of 201434C
252630	15401	Needle Holder Slide Lever Pin, in place of 255056
252510	15401	Needle Holder Slide Lever Stud, in place of 250115
252656	---	Pattern Wheel, for $\frac{3}{4}$ in. Taper Bar (extra large eye) Buttonhole, .050 in. cutting space, bar adjustable from $\frac{1}{4}$ to $\frac{3}{4}$ in., in place of 255303
252655	---	Pattern Wheel, for $\frac{3}{4}$ in. Taper Bar (extra large eye) Buttonhole, .050 in. cutting space, bar adjustable from $\frac{1}{4}$ to $\frac{3}{4}$ in., complete, Nos. 251428, 252656, two each 203E, 250372 and three 391D, in place of 255304
		Note: Stitch Regulating Gear 250415 is furnished with this Machine unless another Stitch Regulating Gear is specified on order.
252528	15403	Throat Plate, for flat purl, in place of 250448
200161D	13942	Work Clamp Arm Bracket Screw (front) (2)
252633	---	Work Clamp Base (left) 253496 with 93H, 194C, 217E, 602E, 792D, 991E, 1443E, 1550J, 7071, 10249, 13218, 200051E, 200097C, 201237E, 201537H, 228026, 232306, 232311, 232312, 250236, 250241, 250418, 250419, 250512, 250523, 251518, 251519, 252184, 252202, 252602, 252621, 255003, 255016, 255057, 350080D, 350136E, two each 207E, 229D, 201121D, 201129D, 350123E and eight 934H, in place of 255322

No.	Plate	Name
252634	-----	Work Clamp Base (right) 253497 with 93H, 602E, 792D, 991E, 1443E, 1550J, 13218, 200051E, 201237E, 201537U, 232270 to 232272, 232306, 232311, 232312, 250238, 250242, 250275, 250513, 250524, 252184, 252202, 252531, 252603, 252623, 255003, 255016, 255058, 350136E, two each 229D, 757E, 200186R, 201121D, 201129D, 350123E, four 207F and eight 934H, in place of 255323
252602	15408	Work Clamp Base Clamping Plate (left), in place of 250653
252603	15408	Work Clamp Base Clamping Plate (right), in place of 250654
252531	15405	Work Clamp Base Clamping Plate Extension
	757E 15405	Work Clamp Base Clamping Plate Extension Screw
232310	15405	Work Clamp Carrier Base Plate Slide Rod Position Pin
252621	15406	Work Clamp Check (left) with 1296E, in place of 250619
250512	15406	Work Clamp Check Extension (left)
	229D 15406	" " " " Screw
252622	-----	Work Clamp Check (left) complete, Nos. 250512, 252621 and two 229D
252623	15406	Work Clamp Check (right) with 1296E, in place of 250620
250513	15406	Work Clamp Check Extension (right)
252624	-----	Work Clamp Check (right) complete, Nos. 250513, 252623 and two 229D

LIST OF PARTS COMPLETE
FOR
MACHINE No. 99w80

No.	Plate	Name
*250001	---	Arm
204235	13811	" Position Pin (2)
200020E	13811	" Screw (4)
232488	13858	" Shaft
232489	13858	" " Bevel Gear (order Position Screw or Set Screw as required)
232244	13811	Arm Shaft Bevel Gear Position Pin
350223E	13972	" " " " " Screw
	453E	" " " " " Set Screw
232002	13812	" " Bushing (back) with 202260
232490	13812	Arm Shaft Bushing (front) with 202260
202260	---	Arm Shaft Bushing Oil Packing (wick)
200100F	13811	Arm Shaft Bushing Screw (4)
232003	13858	" " Hand Wheel with two 200341C
200341C	13858	Arm Shaft Hand Wheel Set Screw
	150D	" " Screw
250002	13812	" Side Cover
200110D	13811	" " " " Screw (2)
*250003	---	Bed with 250078, 255509 to 255512, two each 127D, 40025 and eight 1094E
250009	---	Bed End Cover
232025	13811	" " " " Catch (2)
232026	13811	" " " " Position Pin (2)
250010	13811	Bed End Cover Catch Releaser (2)
204264	13811	" " " " " Stop Pin (2)
200047D	13811	Bed End Cover Catch Screw (2) ..
201531E	13972	" " " " " Nut (2)
250011	13811	" " " " Support (left)
250012	13811	" " " " (right)
	457C	" " " " " Set Screw (2)
250013	-	" Extension
250397	13811	" " Position Pin (2)
	134D	" " Screw (4)

No.	Plate	Name
250014	13858	Bed Shaft
255521	13932	" " Bevel Gear with two 453c
232719	13853	" " " " Position Pin (2)
453c	13851	Bed Shaft Bevel Gear Set Screw ..
232030	13812	" " Bushing (back) with 202260
202260	—	Bed Shaft Bushing (back) Oil Packing (wick)
232821	13811	Bed Shaft Bushing (back) Oil Tube (brass)
230795	13811	Bed Shaft Bushing (back) Oil Tube Pin
200100E	13811	Bed Shaft Bushing (back) Screw (2)
250015	13812	Bed Shaft Bushing (front)
255527	13932	" " " " Oil Tube (brass)
250451	13972	Bed Shaft Bushing (front) Oil Tube Bracket
330D	13972	Bed Shaft Bushing (front) Oil Tube Bracket Screw
232244	13811	Bed Shaft Bushing (front) Position Pin
200100E	13811	Bed Shaft Bushing (front) Screw (2)
250017	13858	Bed Shaft Collar with two 1258E (2)
1258E	13858	" " " " Set Screw
232725	13811	Belt Guard
9D	13811	" " Screw
255318	15411	Buttonhole Cutting Block (steel), $\frac{3}{4}$ in. (eye or taper bar)
350111C	13883	Buttonhole Cutting Block Pinch Screw
250468	13883	Buttonhole Cutting Block Pinch Screw Washer
1281E	13883	Buttonhole Cutting Block Stop Screw
250020	13818	Buttonhole Cutting Carrier Cam with 200364c
40025	13834	Buttonhole Cutting Carrier Cam Position Pin
200364c	13972	Buttonhole Cutting Carrier Cam Set Screw
250021	13818	Buttonhole Cutting Carrier Lever with 990D, 201366c, 201524E and 201892
50031c	13883	Buttonhole Cutting Carrier Lever Adjusting Screw Stud

No.	Plate	Name
1698c	13847	Buttonhole Cutting Carrier Lever Adjusting Screw Stud Nut
39541	13864	Buttonhole Cutting Carrier Lever Adjusting Screw Stud Nut Wash- er
250022	13883	Buttonhole Cutting Carrier Lever Adjusting Screw Stud Sleeve ...
201892	13883	Buttonhole Cutting Carrier Lever Roller
990D	13883	Buttonhole Cutting Carrier Lever Roller Cap Screw
201366c	13883	Buttonhole Cutting Carrier Lever Roller Screw Stud
201524E	13883	Buttonhole Cutting Carrier Lever Roller Screw Stud Nut
232038	13972	Buttonhole Cutting Carrier Lever Slide Block
250023	13972	Buttonhole Cutting Disengaging Lever
350233c	13972	Buttonhole Cutting Disengaging Lever Hinge Screw
203213	13936	Buttonhole Cutting Disengaging Lever Spring
250592	13972	Buttonhole Cutting Disengaging Push Rod
2273	13972	Buttonhole Cutting Disengaging Push Rod Pin
250290	13818	Buttonhole Cutting Driving Wheel with 446E
232043	13883	Buttonhole Cutting Driving Wheel Lock
232044	13883	Buttonhole Cutting Driving Wheel Lock Spring
200051E	13883	Buttonhole Cutting Driving Wheel Lock Spring Screw
228026	13859	Buttonhole Cutting Driving Wheel Lock Spring Screw Washer ...
232724	13883	Buttonhole Cutting Driving Wheel Lock Stop Plate
1094E	13883	Buttonhole Cutting Driving Wheel Lock Stop Plate Screw (2) ...
232150	13972	Buttonhole Cutting Driving Wheel Position Pin
446E	13972	Buttonhole Cutting Driving Wheel Set Screw
252502	15412	Buttonhole Cutting Knife (.126 x .180 eye)
250027	13883	Buttonhole Cutting Knife Adjusting Block

No.	Plate	Name
1100D	13883	Buttonhole Cutting Knife Adjusting Block Screw
250474	13883	Buttonhole Cutting Knife Base Plate
201474E	13883	Buttonhole Cutting Knife Base Plate Adjusting Screw (2)
1454E	13883	Buttonhole Cutting Knife Base Plate Screw
250475	13883	Buttonhole Cutting Knife Clamping Lever
350114c	13883	Buttonhole Cutting Knife Clamping Lever Hinge Screw
250030	13885	Buttonhole Cutting Knife Clamping Plate
250031	----	Buttonhole Cutting Lever (lower)
251267	13957	" " " 250031 with 251269 and 251270
250032	13973	Buttonhole Cutting Lever (lower) Cam with 453c
40025	13834	Buttonhole Cutting Lever (lower) Cam Position Pin
453c	13851	Buttonhole Cutting Lever (lower) Cam Set Screw
250033	13957	Buttonhole Cutting Lever (upper) with 232482, 250468, 350114c and two 232483
251271	13973	Buttonhole Cutting Lever (upper) Cam with 453c
40025	13834	Buttonhole Cutting Lever (upper) Cam Position Pin
453c	13851	Buttonhole Cutting Lever (upper) Cam Set Screw
250035	13973	Buttonhole Cutting Lever Bracket with 200089D
250036	13885	Buttonhole Cutting Lever Bracket Gib (left)
250037	13885	Buttonhole Cutting Lever Bracket Gib (right)
232380	13885	Buttonhole Cutting Lever Bracket Gib Adjusting Plate (2)
219E	13856	Buttonhole Cutting Lever Bracket Gib Adjusting Plate Screw (1)
206482	13885	Buttonhole Cutting Lever Bracket Gib Adjusting Plate Screw Washer (4)
201176E	13885	Buttonhole Cutting Lever Bracket Gib Screw (6)
250038	13885	Buttonhole Cutting Lever Hinge Stud

No.	Plate	Name
200089D	13885	Buttonhole Cutting Lever Hinge Stud Set Screw
251268	13885	Buttonhole Cutting Lever Spring
251269	13885	" " " " Bracket (lower)
251270	13885	Buttonhole Cutting Lever Spring Bracket (lower) Pin
232482	13885	Buttonhole Cutting Lever Spring Bracket (upper)
232483	13885	Buttonhole Cutting Lever Spring Bracket (upper) Pin
250039	13816	Buttonhole Cutting Pressure Wedge with 232056
*201155D	13816	Buttonhole Cutting Pressure Wedge Adjusting Screw
250538	----	Buttonhole Cutting Pressure Wedge Adjusting Screw 201155D with 2273, 201672E, 232054 and 232055
232054	13816	Buttonhole Cutting Pressure Wedge Adjusting Screw Collar
232055	13816	Buttonhole Cutting Pressure Wedge Adjusting Screw Collar Position Pin
232466	13816	Buttonhole Cutting Pressure Wedge Adjusting Screw Lock Spring ..
662D	13816	Buttonhole Cutting Pressure Wedge Adjusting Screw Lock Spring Screw
201672E	13816	Buttonhole Cutting Pressure Wedge Adjusting Screw Nut
2273	13972	Buttonhole Cutting Pressure Wedge Adjusting Screw Nut Pin
232056	13816	Buttonhole Cutting Pressure Wedge Boss
232057	13816	Buttonhole Cutting Pressure Wedge Post with 662D and 232466
200122H	13816	Buttonhole Cutting Pressure Wedge Post Screw
250040	13957	Buttonhole Cutting Shaft
232383	13957	" " " Hand Crank with 201484c
201468H	13816	Buttonhole Cutting Shaft Hand Crank Cap Screw
201484c	13816	Buttonhole Cutting Shaft Hand Crank Position Screw
255019	----	Buttonhole Cutting Shaft Pulley (loose) with 255021, two each 172D, 210750 and eight 232817 ..

No.	Plate	Name
255020	13933	Buttonhole Cutting Shaft Pulley complete, Nos. 255019, two each 255022, 255023 and 350198F
232513	13816	Buttonhole Cutting Shaft Pulley Bushing
232817	13816	Buttonhole Cutting Shaft Pulley Stud
250042	13974	Buttonhole Cutting Starting Lever with 201085c
232718	13973	Buttonhole Cutting Starting Lever Hinge Stud
200530E	13816	Buttonhole Cutting Starting Lever Hinge Stud Set Screw
232064	13816	Buttonhole Cutting Starting Lever Latch
350148D	13972	Buttonhole Cutting Starting Lever Latch Hinge Screw
201531E	13972	Buttonhole Cutting Starting Lever Latch Hinge Screw Nut
232065	13816	Buttonhole Cutting Starting Lever Latch Spring
201218E	13816	Buttonhole Cutting Starting Lever Latch Spring Screw Stud (2) ..
200E	13816	Buttonhole Cutting Starting Lever Latch Stop Screw
250043	13817	Buttonhole Cutting Starting Lever Plate
200577H	13817	Buttonhole Cutting Starting Lever Plate Screw (2)
201085c	13817	Buttonhole Cutting Starting Lever Restoring Screw Stud
250456	13817	Buttonhole Cutting Starting Lever Safety Plate
208E	13817	Buttonhole Cutting Starting Lever Safety Plate Screw (2)
250044	13817	Buttonhole Cutting Starting Lever Spring
350105E	13816	Buttonhole Cutting Starting Lever Spring Screw Stud
250045	13817	Buttonhole Cutting Trip Lever with 460c
250046	13817	Buttonhole Cutting Trip Lever Bracket
232154	13817	Buttonhole Cutting Trip Lever Bracket Position Pin (2)
161D	13817	Buttonhole Cutting Trip Lever Bracket Screw (2)
2049	13817	Buttonhole Cutting Trip Lever Position Pin

No.	Plate	Name
250047	13817	Buttonhole Cutting Trip Lever Safety Lever with 237F
232343	13817	Buttonhole Cutting Trip Lever Safety Lever Position Pin
237F	13817	Buttonhole Cutting Trip Lever Safety Lever Set Screw
460c	13817	Buttonhole Cutting Trip Lever Set Screw
250048	13817	Buttonhole Cutting Trip Lever Shaft
250049	13817	Buttonhole Cutting Trip Lever Spring
201432c	13817	Buttonhole Cutting Trip Screw Stud
1521a	13817	Buttonhole Cutting Trip Screw Stud Nut
255062	13972	Buttonhole Cutting Trip Screw Stud Shim (.010 in. thick)
255063	13972	Buttonhole Cutting Trip Screw Stud Shim (.025 in. thick)
251152	13972	Cord Leader (lower)
185H	13900	" " " Screw
250444	13904	" " " Washer ..
252503	13942	" " (upper)
250497	13942	" " " Gib
223D	13902	" " " Screw
202603	13900	" " " Washer ..
250498	13942	" " " Slide
250499	13942	" " " Cap Plate ..
200161D	13942	" " " Screw
250500	13942	" " " Spring
252532	13942	" " " Wire
252524	-	Cord Leader (upper) complete, Nos. 223D, 202603, 250497 to 250500, 252503 and two 200161D
201710D	13942	Cord Spool Adjusting Thumb Nut
350163D	13942	" " " " " " " Clamping Screw
350162E	13942	Cord Spool Tension Stud
252533	13942	" " " " " Bracket (upper)
252535	-	Cord Spool Tension Stud Bracket 252533 with 1520a, 10111, 10112, 201710D, 350162E and 350163D ..
10111	13941	Cord Spool Tension Stud Cone
10112	13941	" " " " " " " Spring
1520a	13856	Cord Spool Tension Stud Nut
252506	-	Cording Device complete, Nos. 252524, 252532 and 252535

No.	Plate	Name
250050	13834	Driving Wheel (loose)
232110	-----	“ “ with 200395c and two 232113
232112	13834	Driving Wheel Friction Gib
232113	13853	“ “ “ “ Posi- tion Pin
8873	13972	Driving Wheel Position Pin
200395c	13972	“ “ Set Screw
251024	13932	“ “ Stop Cam
251025	13932	“ “ “ “ Position Collar with 1036c
1036c	13972	Driving Wheel Stop Cam Position Collar Set Screw
250417	13864	Driving Wheel Stop Cam Spring
200096d	13864	“ “ “ “ “ “ Position Screw
350073E	13972	Driving Wheel Stop Cam Stop Screw
232520	13812	Face Plate
641D	13853	“ “ Screw (2)
232521	13898	Feed Adjusting Gear
250052	13898	“ “ “ Bracket
250053	13898	“ “ “ “ Clamp- ing Post
690D	13862	Feed Adjusting Gear Bracket Clamping Post Screw (2)
350074E	13972	Feed Adjusting Gear Bracket Clamping Screw
201428c	13899	Feed Adjusting Gear Screw Stud
1518J	13899	“ “ “ “ “ “ Nut
250704	13973	Feed Driving Gear (intermediate) with 457c
232721	13899	Feed Driving Gear (intermediate) Position Pin
457c	13811	Feed Driving Gear (intermediate) Set Screw
250055	13899	Feed Driving Gear (intermediate) Shaft
252601	13957	Feed Wheel with three 232382
250057	13825	“ “ Driving Pawl (3)
201385c	13825	“ “ “ “ Hinge Screw (3)
250058	13825	Feed Wheel Driving Pawl Spring (3)
232382	13825	Feed Wheel Driving Pawl Spring Pin
1449II	13825	Feed Wheel Driving Pawl Spring Screw (3)

No.	Plate	Name
350071E	13825	Feed Wheel Friction Ring Adjust- ing Screw
201522E	13825	Feed Wheel Friction Ring Adjust- ing Screw Lock Nut
232131	13825	Feed Wheel Friction Ring Adjust- ing Screw Washer (2)
250059	13826	Feed Wheel Friction Ring Bracket
200070c	13825	“ “ “ “ “ “ Screw (2)
250060	13826	Feed Wheel Friction Ring Section (long)
250061	13826	Feed Wheel Friction Ring Section (short)
232135	13825	Feed Wheel Friction Ring Spring
232532	13957	“ “ Ring
250062	13825	“ “ “ Gib (3)
209F	13825	“ “ “ “ Screw (6) ...
201362c	13825	“ “ Screw Stud
250418	13859	Finger Starting Lever with 250435 and 250436
250419	13859	Finger Starting Lever Hinge Block
350080D	13859	“ “ “ “ “ “ Hinge Screw
250420	13859	Finger Starting Lever (intermedi- ate)
255080	-----	Finger Starting Lever (intermedi- ate) Bracket with 208E and 991c
208E	13817	Finger Starting Lever (intermedi- ate) Bracket Pinch Screw
158E	13859	Finger Starting Lever (intermedi- ate) Bracket Screw
72D	13856	Finger Starting Lever (intermedi- ate) Hinge Screw
646F	13859	Finger Starting Lever (intermedi- ate) Operating Stud
251292	13975	Finger Starting Lever (intermedi- ate) Operating Stud Collar with 646E
2273	13972	Finger Starting Lever (intermedi- ate) Operating Stud Collar Posi- tion Pin
200097c	13859	Finger Starting Lever Screw
228026	13859	“ “ “ “ Washer
251518	15401	“ “ “ Spring
250435	13859	“ “ “ Stud (back)
250436	13859	“ “ “ “ (front)
232539	13899	Intermittent Feed Driving Wheel with two 465c
*250395	13898	Intermittent Feed Driving Wheel Bracket

No.	Plate	Name
232244	13811	Intermittent Feed Driving Wheel Bracket Position Pin (2)
129E	13899	Intermittent Feed Driving Wheel Bracket Screw (4)
250589	13975	Intermittent Feed Driving Wheel Driving Stud
204648	13899	Intermittent Feed Driving Wheel Driving Stud Position Pin
232541	13899	Intermittent Feed Driving Wheel Position Pin
465C	13899	Intermittent Feed Driving Wheel Set Screw
232542	13899	Intermittent Feed Driving Wheel Shaft
250705	13975	Intermittent Feed Driving Wheel Shaft Gear with 465C
232721	13899	Intermittent Feed Driving Wheel Shaft Gear Position Pin
465C	13899	Intermittent Feed Driving Wheel Shaft Gear Set Screw
252801	13975	Loop Retainer (left)
252802	13975	" " " Carrier
252803	13975	" " (right)
250067	13900	" " " Carrier
250068	13900	" " Adjusting Block (2) ..
255055	15402	" " Cam with 350223E
40025	13834	" " " Position Pin
350223E	13972	" " " Set Screw
250070	13900	" " Carrier Link (2)
201431C	13900	" " " " Screw (4)
250071	13900	" " " Shaft
735E	13900	" " " " Set Screw
250073	13900	" " Driving Bar
250410	13900	" " " " Collar with 200130C
200130C	13900	Loop Retainer Driving Bar Collar Pinch Screw
185H	13900	Loop Retainer Screw (2)
250491	13975	" " " Washer (2) ..
250074	13900	" " Shim .005 in. thick ..
250449	13900	" " " .010 in. thick ..
250450	13900	" " " .020 in. thick ..
250537	13900	" " " .030 in. thick ..
250075	13842	" " Slide with 201943
250076	13900	" " " Gib (lower) (2)
250077	13900	" " " " (upper) (2)
190D	13900	" " " " Screw (6) ..
*250078	13900	" " " Guide Extension
40025	13834	" " " " " " Position Pin (2)

No.	Plate	Name
127D	13900	Loop Retainer Slide Guide Extension Screw (2)
201896	13900	Loop Retainer Slide Roller
201943	---	" " " " " " 201896 with 250429
250429	13900	Loop Retainer Slide Roller Stud ..
252804	13975	Looper (left)
32012	13902	" " Thread Tension Disc (2)
232515	13902	Looper (left) Thread Tension Spring
637C	13934	Looper (left) Thread Tension Stud ..
1560C	13846	" " " " Thumb Nut
232516	13902	Looper (left) Thread Tube
252507	13975	" (right)
250081	13842	" Bracket with 735E
201658C	13901	" " Adjusting Nut
201659C	13901	" " " " Locking Nut
23421	---	Looper Bracket Dogging Hole Plug (leather)
250082	13842	Looper Bracket Frame Chip Guard ..
401D	13901	" " " " " " Screw (2)
232555	13862	Looper Bracket Rotating Gear with 906E
250084	13862	Looper Bracket Rotating Gear Position Pin
906E	13862	Looper Bracket Rotating Gear Set Screw
250085	13901	Looper Carrier
201433C	13901	" " Hinge Screw
250086	13901	" " Link
201099C	13901	" " " Hinge Screw (2) ..
250087	13901	" Driving Bar
250088	13901	" " Connection with 1120C, 250471 and two 233D
250471	13901	Looper Driving Connection Plate ..
233D	13901	" " " " " " Screw
1120C	13901	Looper Driving Connection Set Screw
250089	13901	Looper Driving Connection Slide Rod
250090	13901	Looper Driving Connection Slide Rod Bushing (lower)
250091	13901	Looper Driving Connection Slide Rod Bushing (upper)

No.	Plate	Name
250092	13901	Looper Driving Crank
250446	13901	" " " Bushing
201176E	13885	" " " " Screw (2)
250094	13901	Looper Driving Crank Gear with 735E
250095	13901	Looper Driving Crank Gear Posi- tion Pin
735E	13900	Looper Driving Crank Gear Set Screw
250096	13901	Looper Driving Crank Link
199C	13901	" " " " Cap Screw
350278C	13975	Looper Driving Crank Link Hinge Screw
250097	13839	Looper Driving Disc
255035	—	" " " 250097 with 201435C and 201704E
201435C	13839	Looper Driving Disc Screw Stud ..
201704E	13839	" " " " " Nut
250098	13839	" " Gear
176D	13839	" " " Screw (3)
201898	13839	" " Roller
201953	—	" " " 201898 with 201144E and 250099 (2)
201144E	13839	Looper Driving Roller Cap Screw
250099	13839	" " " Stud
*250100	13839	" Frame
250462	13840	" " Chip Guard
232866	13840	" " Position Pin (2)
201082E	13840	" " Screw (3)
190E	13900	" Screw (2)
250101	13840	" " Washer (2)
232270	13840	" Thread and Cord Clamping Spring (long)
232271	13840	Looper Thread and Cord Clamping Spring (short)
200186B	13840	Looper Thread and Cord Clamping Spring Screw
232272	13840	Looper Thread and Cord Cutter
200186B	13840	" " " " " Screw
250425	13840	Looper Thread Controlling Cam
236D	13840	" " " " Screw (2)
252805	13975	Looper Thread Controlling Lever with 201979
250427	13840	Looper Thread Controlling Lever Bracket

No.	Plate	Name
161F	13817	Looper Thread Controlling Lever Bracket Screw
252806	15401	Looper Thread Controlling Lever Extension
233D	13901	Looper Thread Controlling Lever Extension Screw (2)
350177C	13975	Looper Thread Controlling Lever Hinge Screw
201979	13975	Looper Thread Controlling Lever Roller and Stud
250428	13840	Looper Thread Controlling Lever Spring
252807	13975	Looper Thread Controlling Lever Thread Guide
18859	13840	Looper Thread Guide
250102	13840	" " Leader
1423I	13840	" " " Screw
32012	13902	" " " Tension Disc (2) ...
253530	15401	" " " Releaser
253531	13932	" " " " Lever
350224F	13934	" " " " " Hinge Screw
253532	13933	Looper Thread Tension Releaser Lever Rod
253535	13932	Looper Thread Tension Releaser Lever Rod Collar with 237F (2) ..
237F	13817	Looper Thread Tension Releaser Lever Rod Collar Set Screw
251170	13856	Looper Thread Tension Releaser Lever Spring
1550J	15401	Looper Thread Tension Releaser Nut
707I	13856	Looper Thread Tension Releaser Nut Washer
253534	13932	Looper Thread Tension Releaser Operating Cam Block with 219F
219F	13856	Looper Thread Tension Releaser Operating Cam Block Set Screw
253533	13932	Looper Thread Tension Releaser Operating Lever with 237F
237C	13817	Looper Thread Tension Releaser Operating Lever Set Screw
252814	13975	Looper Thread Tension Releaser (left) with 1238E
350186E	15401	Looper Thread Tension Releaser (left) Screw Stud
1528E	13895	Looper Thread Tension Releaser (left) Screw Stud Nut
1238I	13817	Looper Thread Tension Releaser (left) Screw Stud Set Screw

No.	Plate	Name
232515	13902	Looper Thread Tension Spring
1043c	13902	" " " Stud
171D	13902	" " " " Set Screw
1560c	13846	" " " Thumb Nut ..
232516	13902	" " Tube (brass)
232517	13902	" " " Bracket (2) ...
190D	13900	" " " " Screw (2)
32012	13902	Lower Cord Tension Disc (2)
232515	13902	" " " Spring
637c	13934	" " " Stud
1560c	13846	" " " Thumb Nut ..
232516	13902	" " Tube (brass)
250451	13972	" " " Bracket (2)
250105	13903	Needle Bar Driving Crank with 200394c and two 200382c
40025	13834	Needle Bar Driving Crank Position Pin
200394c	15401	Needle Bar Driving Crank Set Screw
250106	13903	Needle Driving Bar
232177	13903	" " " Bushing
232176	13903	" " " Collar with 200083c
200083c	13847	Needle Driving Bar Collar Pinch Screw
232178	13903	Needle Driving Bar Link
232709	13903	" " " " Hinge Stud with 222598
222598	---	Needle Driving Bar Link Hinge Stud Oil Packing (wick)
200382c	13903	Needle Driving Bar Link Hinge Stud Set Screw
250108	13903	Needle Driving Bar Swivel with 210933
210933	---	Needle Driving Bar Swivel Oil Packing (wick)
255072	13934	Needle Guard
230E	13934	" " Screw
233D	13901	" " " (support end) ..
255073	13934	" " Support
251214	13903	" Holder with 904E
250111	15401	" Gauge Plate
201482D	13903	" " " " Adjusting Screw
250112	13903	Needle Holder Gauge Plate Block
201670c	15401	" " " " " " Adjusting Nut
201670c	15401	Needle Holder Gauge Plate Block Adjusting Nut Lock Nut

No.	Plate	Name
200124D	13903	Needle Holder Gauge Plate Screw (2)
208E	13817	Needle Holder Screw
255074	15401	" " Slide
250114	13903	" " " Lever with 255056
201434c	13903	" " " " Hinge Screw
255056	13934	" " " " Pin
250115	13903	" " " " Stud
208E	13817	" " " " " Screw
250116	13903	" " " " " " Washer
251155	13903	Needle Holder Slide Spring
201225c	13903	" " " Stud
250117	13862	" Rotating Gear with 735E ...
250118	13862	" " " Key
735E	13900	" " " " Set Screw ..
904E	13903	" Set Screw
253629	13934	" Thread Controller
1520A	13856	" " " Nut
255004	13934	" " " Spring
255005	---	" " " " Bracket with 171E
255067	13934	Needle Thread Controller Spring Bracket 255005 with 231c, 252081, 255004, 255006 and 255007
18587	13934	Needle Thread Controller Spring Bracket Position Pin
202E	13934	Needle Thread Controller Spring Bracket Screw
255006	13934	Needle Thread Controller Spring Stop
231c	13826	Needle Thread Controller Spring Stop Adjusting Screw
255007	13934	Needle Thread Controller Spring Thread Guide
252081	13934	Needle Thread Controller Stud ...
171E	13902	" " " " " Set Screw
250119	13934	Needle Thread Guide
10145	13934	" " " "
232792	13932	" " Leader
1664E	13934	" " " Nut
10106	13934	" " Retainer Disc
39713	13934	" " " Spring
996E	13934	" " " " Screw Stud
252081	13934	Needle Thread Retainer Stud
171E	13902	" " " " " Set Screw

No.	Plate	Name
252082	13934	Needle Thread Retainer Tension Disc
252083	13932	Needle Thread Tension Bracket
159D	13934	" " " "
		Screw (2)
32012	13902	Needle Thread Tension Disc (2) ..
154C	13936	" " " Releasing Adjusting Screw
1550J	15401	Needle Thread Tension Releasing Adjusting Screw Nut
255008	15401	Needle Thread Tension Releasing Block with 200E
200E	13816	Needle Thread Tension Releasing Block Set Screw
240D	13936	Needle Thread Tension Releasing Block Stop Screw
32572	13846	Needle Thread Tension Releasing Disc
255009	13933	Needle Thread Tension Releasing Lever
255010	13933	Needle Thread Tension Releasing Lever Bracket
200346C	13936	Needle Thread Tension Releasing Lever Bracket Adjusting Screw ..
145E	13853	Needle Thread Tension Releasing Lever Bracket Screw (lower) ..
200062H	13936	Needle Thread Tension Releasing Lever Bracket Screw (upper) ..
35D	15401	Needle Thread Tension Releasing Lever Hinge Screw
255011	13936	Needle Thread Tension Releasing Lever Spring
39635	13846	Needle Thread Tension Releasing Pin
255013	13935	Needle Thread Tension Releasing Rod
255014	13936	Needle Thread Tension Releasing Rod Bracket
190D	13900	Needle Thread Tension Releasing Rod Bracket Screw (2)
255015	13936	Needle Thread Tension Releasing Rod Plate
792E	13936	Needle Thread Tension Releasing Rod Plate Screw (2)
208E	13817	Needle Thread Tension Releasing Rod Screw

No.	Plate	Name
13710	13846	Needle Thread Tension Spring ...
1388C	13846	" " " Stud
1560C	13846	" " " Thumb Nut ..
250140	13848	" Vibrating Adjusting Link
741C	13847	" " " "
		Hinge Screw
350076C	13847	Needle Vibrating Adjusting Stud
1671C	13847	" " " "
		Nut
39532	13847	Needle Vibrating Adjusting Stud Sleeve
250141	13848	Needle Vibrating Bell Crank
250142	13848	" " " " Con-
		nection
*38444	-----	Needle Vibrating Bell Crank Con-
		nection End Bearing (back)
38446	13847	Needle Vibrating Bell Crank Con-
		nection End Bearing 38444 with
		42524, 50016C and two 175E
50016C	13847	Needle Vibrating Bell Crank Con-
		nection End Bearing (back) Ball
		Screw Stud
1636E	13847	Needle Vibrating Bell Crank Con-
		nection End Bearing (back) Ball
		Screw Stud Nut
*42524	-----	Needle Vibrating Bell Crank Con-
		nection End Bearing (back) Cap
175E	13936	Needle Vibrating Bell Crank Con-
		nection End Bearing (back) Cap
		Screw
1698C	13847	Needle Vibrating Bell Crank Con-
		nection End Bearing (back)
		Check Nut
*38443	-----	Needle Vibrating Bell Crank Con-
		nection End Bearing (front) ...
250143	13847	Needle Vibrating Bell Crank Con-
		nection End Bearing 38443 with
		42525, 201449C and two 175E
201449C	13847	Needle Vibrating Bell Crank Con-
		nection End Bearing (front) Ball
		Screw
*42525	-----	Needle Vibrating Bell Crank Con-
		nection End Bearing (front) Cap
175E	13936	Needle Vibrating Bell Crank Con-
		nection End Bearing (front) Cap
		Screw
1697C	13847	Needle Vibrating Bell Crank Con-
		nection End Bearing (front)
		Check Nut

No.	Plate	Name
45c	13847	Needle Vibrating Bell Crank Hinge Screw
250144	13848	Needle Vibrating Lever
255034	13936	" " " Hinge Stud
443c	13936	" " " " "
		Set Screw
232420	13848	Needle Vibrating Ring with 462c ..
232421	13847	" " " Guide Stud
200083E	13847	" " " " "
		Set Screw
232343	13847	Needle Vibrating Ring Position Pin
462c	13847	" " " Set Screw ..
250145	13848	" " Rod
250146	13846	" " " (Guide with 1230E
232343	13847	" " " Position Pin
1230E	13851	" " " Set Screw
250147	13847	" " Switch
200308E	13847	" " " Hinge Screw.
252810	----	Pattern Wheel, for $\frac{3}{4}$ in. Taper Bar (large eye) Buttonhole, bar adjustable for $\frac{1}{4}$ to $\frac{3}{4}$ inch
201668E	13904	Pattern Wheel Clamping Nut
250148	13904	" " Position Stud
250372	13904	" " Rapid Feed Trip Point
203E	13860	Pattern Wheel Rapid Feed Trip Point Screw
251496	13974	Pattern Wheel Ring (adjustable)
251428	----	" " " 251496 with 252662, 252663, two each 211E and 250444
252662	15401	Pattern Wheel Ring Adjusting Segment (curved rise)
252663	15401	Pattern Wheel Ring Adjusting Segment (straight drop)
211E	13904	Pattern Wheel Ring Adjusting Segment Screw
250444	13904	Pattern Wheel Ring Adjusting Segment Screw Washer
391D	13904	Pattern Wheel Ring Screw
252811	13974	Pattern Wheel, for $\frac{3}{4}$ in. Taper Bar (large eye) Buttonhole, bar adjustable from $\frac{1}{4}$ to $\frac{3}{4}$ in., complete, Nos. 251428, 252810, two each 203E, 250372 and three 391D
250149	13974	Pattern Wheel Shaft with 250148...
250150	13906	" " " Bevel Gear with 168D
40025	13834	Pattern Wheel Shaft Bevel Gear Position Pin

No.	Plate	Name
168D	13904	Pattern Wheel Shaft Bevel Gear Set Screw
250151	13906	Pattern Wheel Shaft Bushing (left)
145E	13853	" " " " "
		Screw (2)
250152	13906	Pattern Wheel Shaft Bushing (right)
647E	13853	Pattern Wheel Shaft Bushing (right) Screw (2)
232600	13851	Pattern Wheel Shaft Collar with two 453c
453c	13851	Pattern Wheel Shaft Collar Set Screw
250154	13851	Rapid Feed Clutch Disengaging Lever (3)
253481	13935	Rapid Feed Clutch Disengaging Sleeve
250156	13851	Rapid Feed Clutch Driving Disc
1230E	13851	" " " " "
		Screw (4)
201897	13851	Rapid Feed Clutch Roller (3)
255095	13932	" " " " Carrier with 624E
40025	13834	Rapid Feed Clutch Roller Carrier Position Pin
624E	13851	Rapid Feed Clutch Roller Carrier Set Screw
250153	13851	Rapid Feed Clutch Roller Retainer (3)
208E	13817	Rapid Feed Clutch Roller Retainer Screw (3)
255096	13936	Rapid Feed Clutch Roller Spring (3)
255097	13936	Rapid Feed Clutch Roller Spring Guide Pin (3)
250158	13851	Rapid Feed Crank Shaft
250159	13851	" " " " Bushing (back)
250160	13851	Rapid Feed Crank Shaft Bushing (back) Oil Tube (lower) (brass)
250495	13851	Rapid Feed Crank Shaft Bushing (back) Oil Tube (upper) (brass)
250161	13851	Rapid Feed Crank Shaft Bushing (front)
436c	13851	Rapid Feed Crank Shaft Bushing Set Screw (2)
32600	13851	Rapid Feed Crank Shaft Collar with two 453c
453c	13851	Rapid Feed Crank Shaft Collar Set Screw

No.	Plate	Name
250452	13852	Rapid Feed Crank Shaft Gear with 458c
232719	13853	Rapid Feed Crank Shaft Gear Position Pin
458c	13853	Rapid Feed Crank Shaft Gear Set Screw
202260	—	Rapid Feed Crank Shaft Oil Packing (wick) (2)
250163	13852	Rapid Feed Driving Gear
250398	15403	" " " " Key
250164	13852	" " Gear Guard
641D	13853	" " " " Screw (2)
250534	13852	" " Intermediate Gear (bronze)
201447c	13853	Rapid Feed Intermediate Gear Screw Stud
1510E	13853	Rapid Feed Intermediate Gear Screw Stud Nut
250167	13852	Rapid Feed Intermediate Gear Screw Stud Nut Washer
250405	13853	Rapid Feed Intermediate Gear Screw Stud Washer
253536	13935	Rapid Feed Pawl Bell Crank with 202299
11c	13853	Rapid Feed Pawl Bell Crank Hinge Screw
202299	—	Rapid Feed Pawl Bell Crank Oil Packing (wick)
250171	13853	Rapid Feed Pawl Bell Crank Slide Block Section (2)
250172	13853	Rapid Feed Pawl Guide
181D	13853	" " " " Screw (2)
350260c	13936	" " " " Hinge Screw
1655E	15403	" " " " Nut
252266	13935	" " Slide Bar
250174	13852	" " " " Bushing (left)
145E	13853	Rapid Feed Slide Bar Bushing (left) Screw (2)
250175	13852	Rapid Feed Slide Bar Bushing (right)
647E	13853	Rapid Feed Slide Bar Bushing (right) Screw (2)
252269	13936	Rapid Feed Slide Bar Collar with 448c
40025	13834	Rapid Feed Slide Bar Collar Position Pin
448c	13862	Rapid Feed Slide Bar Collar Set Screw

No.	Plate	Name
252267	13935	Rapid Feed Slide Bar Fork Connection with 889c
253538	15403	Rapid Feed Slide Bar Fork Connection Extension Plate
176D	13839	Rapid Feed Slide Bar Fork Connection Extension Plate Screw (2)
200603E	13853	Rapid Feed Slide Bar Fork Connection Position Screw
201448c	15403	Rapid Feed Slide Bar Fork Connection Screw Stud
889c	13853	Rapid Feed Slide Bar Fork Connection Set Screw
252306	13935	Rapid Feed Slide Bar Lock
252271	13936	" " " " " Block
232055	13816	" " " " " " " " " Position Pin
704E	15403	Rapid Feed Slide Bar Lock Block Screw (2)
350262E	13936	Rapid Feed Slide Bar Lock Hinge Screw
250409	15403	Rapid Feed Slide Bar Lock Spring
1241E	13895	" " " " " " " " " Screw Eye
250191	13856	Rapid Feed Slide Bar Lock Trip
56c	13856	" " " " " " " " " Hinge Screw
252273	13936	Rapid Feed Slide Bar Spring
350293E	13936	" " " " " " Cap Screw
252274	13936	Rapid Feed Slide Bar Spring Washer
250180	15403	Rapid Feed Starting Latch
199c	13901	" " " " " " Cap Screw
201446c	13856	Rapid Feed Starting Latch Hinge Screw Stud
250181	15402	Rapid Feed Starting Lever with 1454E
255053	13935	Rapid Feed Starting Lever (operated by stop motion) with 704c, 1454E, 203213 and 255054
255061	15403	Rapid Feed Starting Lever Latch
350256c	15403	" " " " " " " " " Hinge Screw
255092	15403	Rapid Feed Starting Lever Latch Spring
217E	13864	Rapid Feed Starting Lever Latch Spring Screw
253512	15403	Rapid Feed Starting Lever Latch Stop Washer

No.	Plate	Name
193D	13862	Rapid Feed Starting Lever Latch Stop Washer Screw
1330c	15403	Rapid Feed Starting Lever Operat- ing Screw Stud
201445E	15403	Rapid Feed Starting Lever Posi- tion Screw (2)
1454E	13883	Rapid Feed Starting Lever Set Screw
250185	13855	Rapid Feed Starting Lever Shaft
250186	15403	" " " " "
		Collar (left) with 200113F
204197	15403	Rapid Feed Starting Lever Shaft Collar (right) with 200113F
200113F	15403	Rapid Feed Starting Lever Shaft Collar Set Screw
250409	15403	Rapid Feed Starting Lever Spring
1241E	13895	" " " " "
		Screw Eye
255054	13936	Rapid Feed Starting Lever Stud
704c	15403	" " " " "
		Set Screw
203213	13936	Rapid Feed Starting Lever Stud Spring
253537	13935	Rapid Feed Starting Pawl
250188	15403	" " " " Spring
201454E	15403	" " " " "
		Screw Eye
250189	13855	Rapid Feed Starting Trip Lever with 1454E
201445E	15403	Rapid Feed Starting Trip Lever Position Screw
201437c	15403	Rapid Feed Starting Trip Lever Screw Stud
1454E	13883	Rapid Feed Starting Trip Lever Set Screw
251168	13856	Rapid Feed Tripping Pawl
350109c	13856	" " " " Hinge Screw
251169	13856	Rapid Feed Tripping Pawl Lever
250432	13856	" " " " "
		Bracket
232154	13817	Rapid Feed Tripping Pawl Lever Bracket Position Pin (2)
350110c	13856	Rapid Feed Tripping Pawl Lever Bracket Screw
14017	13856	Rapid Feed Tripping Pawl Lever Bracket Screw Washer
72c	13856	Rapid Feed Tripping Pawl Lever Hinge Screw

No.	Plate	Name
232083	13937	Rapid Feed Tripping Pawl Spring
1241E	13895	" " " " "
		Screw Eye
1242E	13937	Rapid Feed Tripping Pawl Spring Screw Stud
250195	13855	Rapid Feed Worm with 453c
25362	---	" " " Ball
250196	13855	" " " " Bearing Cup
225007	13856	" " " " Retainer with eight 25362
232244	13811	Rapid Feed Worm Position Pin ..
453c	13851	" " " Set Screw
250197	13855	" " " Wheel
250198	13855	" " " " Collar with two 453c
453c	13851	Rapid Feed Worm Wheel Collar Set Screw
202244	---	Rapid Feed Worm Wheel Oil Pack- ing (wick)
250199	13860	Starting Bell Crank
3c	13860	" " " Hinge Screw...
250200	13860	" Latch
643D	13860	" " Hinge Screw
250201	13860	" " Spring
203E	13860	" " " Screw
250202	13860	" Rod
250203	13860	" " Block with 203E
2273	13972	" " " Position Pin
203E	13860	" " " Set Screw
40043	13860	" " Collar with 209c (2) ..
209c	13825	" " " Set Screw
250204	13860	" " Lock
946D	13860	" " " Hinge Screw
250205	13860	" " " Spring
213D	13860	" " " " Screw
250206	13860	" " " " " Washer
250207	13857	" " Safety Lock
38D	13857	" " " " Hinge Screw
226467	13857	" " " " " "
		Washer
250423	13859	Starting Rod Spring
201160E	13860	" " " Screw Eye
250210	---	Stitch Regulating Gear, 22 teeth ..
250211	---	" " " 26 teeth ..
250212	13899	" " " 28 teeth ..
250598	---	" " " 30 teeth ..
250213	13899	" " " 33 teeth ..

Note: No. 250213 is furnished with this machine unless another Stitch Regulating Gear is specified on order.

No.	Plate	Name
250214	13899	Stitch Regulating Gear, 34 teeth ..
250415	13899	" " " 38 teeth ..
201660c	13899	" " " Lock Nut ..
250215	13861	" Rotating Lever (lower) with 458c
201442E	13862	Stitch Rotating Lever (lower) Posi- tion Screw
201871	13862	Stitch Rotating Lever (lower) Rol- ler
350066c	13862	Stitch Rotating Lever (lower) Rol- ler Screw Stud
201666E	13862	Stitch Rotating Lever (lower) Rol- ler Screw Stud Nut
458c	13853	Stitch Rotating Lever (lower) Set Screw
232591	13861	Stitch Rotating Lever (upper) with 448c
40025	13834	Stitch Rotating Lever (upper) Posi- tion Pin
448c	13862	Stitch Rotating Lever (upper) Set Screw
232807	13862	Stitch Rotating Lever Connection (front section) (lower)
232593	13862	Stitch Rotating Lever Connection (front section) (upper)
232808	13862	Stitch Rotating Lever Connection (rear section) (lower)
232592	13862	Stitch Rotating Lever Connection (rear section) (upper)
58F	13862	Stitch Rotating Lever Connection Hinge Screw (4)
172D	13862	Stitch Rotating Lever Connection Screw (lower)
193D	13862	Stitch Rotating Lever Connection Screw (upper)
39504	13862	Stitch Rotating Lever Connection Screw Washer (lower)
232717	13862	Stitch Rotating Lever Connection Screw Washer (upper)
232764	----	Stitch Rotating Lever Connection (lower) complete, Nos. 232807, 232808, two each 172D and 39504
250400	----	Stitch Rotating Lever Connection (upper) complete, Nos. 232592, 232593, 232717 and two 193D
250394	13861	Stitch Rotating Lever Rock Shaft
250216	13861	" " Sector (lower)
232597	13861	" " " " Bracket
690D	13862	" " " " " " Screw

No.	Plate	Name
226163	13862	Stitch Rotating Sector (lower) Bracket Screw Washer
350087c	13862	Stitch Rotating Sector (lower) Hinge Screw
250217	13861	Stitch Rotating Sector (upper)
232599	13861	" " " " Bracket
201395D	13862	" " " " " Screw (2)
23414	13862	Stitch Rotating Sector (upper) Position Collar with two 453c ..
453c	13851	Stitch Rotating Sector (upper) Position Collar Set Screw
251026	13933	Stop Lever with 200352c
232262	13777	" " Bracket
350263E	15403	" " " Screw
250218	13777	" " Crank with 453c
40025	13834	" " " Position Pin
453c	13851	" " " Set Screw
232263	13864	" " Friction Pad (rawhide).
200110D	13811	" " " " Screw (2)
255523	15403	" " Interlocking Slide
201084c	13864	" " " " Adjust- ing Screw
201628E	13864	Stop Lever Interlocking Slide Ad- justing Screw Nut
1178D	13864	Stop Lever Interlocking Slide Screw
232265	13864	Stop Lever Interlocking Slide Screw Washer
250416	13864	Stop Lever Interlocking Slide Spring
250219	13777	Stop Lever Link
250220	13777	" " " Connection
250221	13864	" " " " Locking Pin
250222	13864	Stop Lever Link Connection Lock- ing Pin Spring
217D	13864	Stop Lever Link Connection Lock- ing Pin Spring Screw (2)
350225D	13937	Stop Lever Link Connection Screw (back)
807D	13895	Stop Lever Link Connection Screw (front)
64c	13901	Stop Lever Link Hinge Screw
250223	13777	" " Operating Lever
11c	13853	" " " " Hinge Screw

No.	Plate	Name
250224	13864	Stop Lever Operating Plate
157c	13864	" " " " Screw
39541	13864	" " " " " "
		Washer
40025	13834	Stop Lever Position Pin
200352c	13864	" " Set Screw
250225	13777	" " Shaft
250404	13864	" " Spring
201110d	13864	" " Screw
251368	13902	Throat Plate, for soft material
250447	13902	" " Adjusting Block
176d	13839	" " Screw
250590	13777	Vertical Shaft with two each 204648 and 250589
255522	13935	Vertical Shaft Bevel Gear (lower) with two 453c
232719	13853	Vertical Shaft Bevel Gear (lower) Position Pin
250227	13777	Vertical Shaft Bevel Gear (upper) (order Position Screws or Set Screws as required)
40025	13834	Vertical Shaft Bevel Gear (upper) Position Pin
350223E	13972	Vertical Shaft Bevel Gear Position Screw
453c	13851	Vertical Shaft Bevel Gear Set Screw
250396	13777	Vertical Shaft Bushing (lower)
200100E	13811	" " " " " "
		Screw (2)
232710	13777	Vertical Shaft Bushing (upper) ...
575c	13811	" " " " " " Set Screw
250523	15404	Work Clamp Arm (left)
250524	15404	" " " (right)
250525	15408	" " " Bracket (left)
255057	---	" " " " " "
		250525 with 250268, 250551, 250552, 253666 and three 2269
250526	15408	Work Clamp Arm Bracket (right)
255058	---	" " " " " "
		250526 with 250266, 250528, 250529, 253666 and three 2269
201129d	13937	Work Clamp Arm Bracket Screw (back)
200161d	13942	Work Clamp Arm Bracket Screw (front) (2)
253666	13937	Work Clamp Arm Cam with 209F
2269	13895	" " " " Position Pin

No.	Plate	Name
209F	13825	Work Clamp Arm Cam Set Screw
250552	13937	" " " " Shaft (left)
250528	13937	" " " " " (right)
201237F	13937	" " " " Stop Screw
201537u	13937	" " " " " "
		Nut
252184	13937	Work Clamp Arm Hinge Block
350123E	13937	" " " " " "
		Hinge Screw
200051E	13883	Work Clamp Arm Screw
13218	13937	" " " Spring
350136E	13937	" " " " Screw ...
253496	15404	" " Base (left) with 232304
252633	---	Work Clamp Base (left) 253496 with 93u, 194c, 217E, 602E, 792d, 991E, 1443E, 1550J, 707I, 10249, 13218, 200051E, 200097C, 201237E, 201537u, 228026, 232306, 232311, 232312, 250236, 250241, 250418, 250419, 250512, 250523, 251518, 251519, 252184, 252202, 252602, 252624, 255003, 255016, 255057, 350080d, 350136E, two each 207E, 229d, 201121d, 201129d, 350123E and eight 934u
250236	15404	Work Clamp Base (left) Guard
934u	15405	" " " " " "
		Screw (4)
253497	15404	Work Clamp Base (right) with 232304
252634	---	Work Clamp Base (right) 253497 with 93u, 602E, 792d, 991E, 1443E, 1550J, 13218, 200051E, 201237E, 201537u, 232270 to 232272, 232306, 232311, 232312, 250238, 250242, 250275, 250513, 250524, 252184, 252202, 252531, 252603, 252623, 255003, 255016, 255058, 350136E, two each 229d, 757E, 200186u, 201121d, 201129d, 350123E, four 207E and eight 934u
250238	15404	Work Clamp Base (right) Guard
934u	15405	" " " " " "
		Screw
252602	15408	Work Clamp Base Clamping Plate (left)
252603	15408	Work Clamp Base Clamping Plate (right)
252531	15405	Work Clamp Base Clamping Plate Extension

No.	Plate	Name
757E	15405	Work Clamp Base Clamping Plate Extension Screw
934H	15405	Work Clamp Base Clamping Plate Screw
232304	15405	Work Clamp Base Hinge Stud
232678	15405	" " " Locking Spring (left)
232679	15405	Work Clamp Base Locking Spring (right)
792D	13936	Work Clamp Base Locking Spring Screw (2)
39541	13864	Work Clamp Base Locking Spring Screw Washer (2)
250439	13937	Work Clamp Base Retaining Stud
250241	15405	" " " Spring (left) ..
250242	15405	" " " " (right) ..
232306	15405	" " " " (front)
232311	15405	" " " " " " Catch
350215E	15405	Work Clamp Base Spring (front) Catch Stud (2)
93H	15405	Work Clamp Base Spring (front) Screw
1443F	13937	Work Clamp Base Spring Screw
201451E	15405	" " " " " Stud (2)
232309	15405	Work Clamp Base Stop Block (2) ..
232310	15405	" " " " " Position Pin (2)
201148H	15405	Work Clamp Base Stop Block Screw (2)
253502	15404	Work Clamp Carrier Base Plate with 250439
232462	13826	Work Clamp Carrier Base Plate Slide Rod
201643E	13825	Work Clamp Carrier Base Plate Slide Rod Nut
232310	15405	Work Clamp Carrier Base Plate Slide Rod Position Pin (2)
200119D	13937	Work Clamp Carrier Base Plate Slide Rod Set Screw
250244	13826	Work Clamp Carrier Feed Lever
350185E	13937	" " " " " Hinge Screw
250245	13825	Work Clamp Carrier Feed Lever Link
250246	13825	Work Clamp Carrier Feed Lever Link Block
50168E	13825	Work Clamp Carrier Feed Lever Link Block Screw (2)

No.	Plate	Name
350070C	13825	Work Clamp Carrier Feed Lever Link Hinge Screw (block end) ..
350216C	15405	Work Clamp Carrier Feed Lever Link Hinge Screw (lever end) ..
201868	13825	Work Clamp Carrier Feed Lever Roller
201988	-----	Work Clamp Carrier Feed Lever Roller 201868 with 255075 and 350072E
350072E	13825	Work Clamp Carrier Feed Lever Roller Cap Screw
255075	13937	Work Clamp Carrier Feed Lever Roller Stud
255076	13937	Work Clamp Carrier Feed Lever Roller Stud Washer
250248	13974	Work Clamp Carrier Side Throw Lever (lower section) with 201097C and 201530E
250249	13974	Work Clamp Carrier Side Throw Lever (upper section) with 201374E and 201937
250599	13937	Work Clamp Carrier Side Throw Lever Hinge Stud
250600	13937	Work Clamp Carrier Side Throw Lever Hinge Stud Collar with two 448C
448C	13862	Work Clamp Carrier Side Throw Lever Hinge Stud Collar Set Screw
435C	13885	Work Clamp Carrier Side Throw Lever Hinge Stud Set Screw ...
250250	13825	Work Clamp Carrier Side Throw Lever Lock Pin with 201940 and 350072E
201940	13825	Work Clamp Carrier Side Throw Lever Lock Pin Roller
350072E	13825	Work Clamp Carrier Side Throw Lever Lock Pin Roller Cap Screw
201430C	13825	Work Clamp Carrier Side Throw Lever Lock Pin Screw Stud
250251	15405	Work Clamp Carrier Side Throw Lever Lock Pin Spring
191C	13825	Work Clamp Carrier Side Throw Lever Lock Pin Spring Screw (2)
201873	13825	Work Clamp Carrier Side Throw Lever Roller
201937	13825	Work Clamp Carrier Side Throw Lever Roller 201873 with 201144E and 232686

No.	Plate	Name
250263	13823	Work Clamp Closing Lever Engaging Stud Latch
250264	13891	Work Clamp Closing Lever Engaging Stud Latch Spring
1241E	13895	Work Clamp Closing Lever Engaging Stud Latch Spring Screw Eye
201956	13891	Work Clamp Closing Lever Engaging Stud Roller
255069	13938	Work Clamp Closing Lever Engaging Stud Roller Cap
350133E	13891	Work Clamp Closing Lever Engaging Stud Screw
250265	13891	Work Clamp Closing Lever Engaging Stud Spring
255070	---	Work Clamp Closing Lever Engaging Stud complete, Nos. 201956, 255068, 255069 and 350133E
201438C	13891	Work Clamp Closing Lever Hinge Screw
201947	13891	Work Clamp Closing Lever Roller
201948	13891	" " " " " "
		201947 with 350156E
350156E	13891	Work Clamp Closing Lever Roller Screw Stud
201531H	13972	Work Clamp Closing Lever Roller Screw Stud Nut
228026	13859	Work Clamp Closing Lever Roller Screw Stud Washer
250267	13891	Work Clamp Closing Lever Spring
1241E	13895	" " " " " "
		Screw Eye (2)
991C	13891	Work Clamp Closing Lever Stop Screw
250268	15407	Work Clamp Connection Lever (left) with 209F
250269	15407	Work Clamp Connection Lever (right) with 209F
2269	13895	Work Clamp Connection Lever Position Pin
209F	13825	Work Clamp Connection Lever Set Screw
250270	15402	Work Clamp Opening Bell Crank with 1819
659D	13895	Work Clamp Opening Bell Crank Hinge Screw
1819	13895	Work Clamp Opening Bell Crank Roller and Stud
232200	13895	Work Clamp Opening Bell Crank Spring

No.	Plate	Name
1241E	13895	Work Clamp Opening Bell Crank Spring Screw Eye
253680	15407	Work Clamp Opening Cam with 462C
12509	15407	Work Clamp Opening Cam Position Pin
462C	13847	Work Clamp Opening Cam Set Screw
250551	13895	Work Clamp Opening Lever with 1253C
251519	13939	Work Clamp Opening Lever Latch
253679	---	" " " " " "
		Releasing Bracket with 200E, 1547J and 350218C
200E	13816	Work Clamp Opening Lever Latch Releasing Bracket Set Screw
350218C	15407	Work Clamp Opening Lever Latch Releasing Screw
1547J	15407	Work Clamp Opening Lever Latch Releasing Screw Check Nut
10249	13939	Work Clamp Opening Lever Latch Spring
217E	13864	Work Clamp Opening Lever Latch Spring Screw
7071	13856	Work Clamp Opening Lever Latch Spring Screw Washer
194C	13856	Work Clamp Opening Lever Latch Stop Screw
2269	13895	Work Clamp Opening Lever Position Pin
1253C	13895	Work Clamp Opening Lever Set Screw
255077	13939	Work Clamp Opening Rod
255078	13939	" " " " " " Connection
255079	---	Work Clamp Opening Rod complete, Nos. 203C, 1662J, 250287, 255077 and 255078
807D	13895	Work Clamp Opening Rod Connection Hinge Screw
250274	13895	Work Clamp Opening Rod Guide with 808E
808E	13895	Work Clamp Opening Rod Guide Pinch Screw
1662J	13939	Work Clamp Opening Rod Nut
250275	13895	" " " " Stop (adjustable)

No.	Plate	Name
757E	15405	Work Clamp Base Clamping Plate Extension Screw
934H	15405	Work Clamp Base Clamping Plate Screw
232304	15405	Work Clamp Base Hinge Stud
232678	15405	" " " Locking Spring (left)
232679	15405	Work Clamp Base Locking Spring (right)
792D	13936	Work Clamp Base Locking Spring Screw (2)
39541	13864	Work Clamp Base Locking Spring Screw Washer (2)
250439	13937	Work Clamp Base Retaining Stud
250241	15405	" " " Spring (left) ..
250242	15405	" " " " (right) ..
232306	15405	" " " " (front)
232311	15405	" " " " " "
		Catch
350215E	15405	Work Clamp Base Spring (front) Catch Stud (2)
93H	15405	Work Clamp Base Spring (front) Screw
1443F	13937	Work Clamp Base Spring Screw
201451E	15405	" " " " " "
		Stud (2)
232309	15405	Work Clamp Base Stop Block (2) ..
232310	15405	" " " " " Posi- tion Pin (2)
201148H	15405	Work Clamp Base Stop Block Screw (2)
253502	15404	Work Clamp Carrier Base Plate with 250439
232462	13826	Work Clamp Carrier Base Plate Slide Rod
201643E	13825	Work Clamp Carrier Base Plate Slide Rod Nut
232310	15405	Work Clamp Carrier Base Plate Slide Rod Position Pin (2)
200119D	13937	Work Clamp Carrier Base Plate Slide Rod Set Screw
250244	13826	Work Clamp Carrier Feed Lever
350185C	13937	" " " " " "
		Hinge Screw
250245	13825	Work Clamp Carrier Feed Lever Link
250246	13825	Work Clamp Carrier Feed Lever Link Block
50168E	13825	Work Clamp Carrier Feed Lever Link Block Screw (2)

No.	Plate	Name
350070C	13825	Work Clamp Carrier Feed Lever Link Hinge Screw (block end) ..
350216C	15405	Work Clamp Carrier Feed Lever Link Hinge Screw (lever end) ..
201868	13825	Work Clamp Carrier Feed Lever Roller
201988	- - -	Work Clamp Carrier Feed Lever Roller 201868 with 255075 and 350072E
350072E	13825	Work Clamp Carrier Feed Lever Roller Cap Screw
255075	13937	Work Clamp Carrier Feed Lever Roller Stud
255076	13937	Work Clamp Carrier Feed Lever Roller Stud Washer
250248	13974	Work Clamp Carrier Side Throw Lever (lower section) with 201097C and 201530E
250249	13974	Work Clamp Carrier Side Throw Lever (upper section) with 201374E and 201937
250599	13937	Work Clamp Carrier Side Throw Lever Hinge Stud
250600	13937	Work Clamp Carrier Side Throw Lever Hinge Stud Collar with two 448C
448C	13862	Work Clamp Carrier Side Throw Lever Hinge Stud Collar Set Screw
135C	13885	Work Clamp Carrier Side Throw Lever Hinge Stud Set Screw ...
250250	13825	Work Clamp Carrier Side Throw Lever Lock Pin with 201940 and 350072E
201940	13825	Work Clamp Carrier Side Throw Lever Lock Pin Roller
350072E	13825	Work Clamp Carrier Side Throw Lever Lock Pin Roller Cap Screw
201430C	13825	Work Clamp Carrier Side Throw Lever Lock Pin Screw Stud
250251	15405	Work Clamp Carrier Side Throw Lever Lock Pin Spring
191C	13825	Work Clamp Carrier Side Throw Lever Lock Pin Spring Screw (2)
201873	13825	Work Clamp Carrier Side Throw Lever Roller
201937	13825	Work Clamp Carrier Side Throw Lever Roller 201873 with 201144E and 232686

No.	Plate	Name
201144E	13839	Work Clamp Carrier Side Throw Lever Roller Cap Screw
232686	13826	Work Clamp Carrier Side Throw Lever Roller Stud
201374E	13826	Work Clamp Carrier Side Throw Lever Roller Stud Cap Screw ..
232321	13826	Work Clamp Carrier Side Throw Lever Slide Block
250252	13826	Work Clamp Carrier Side Throw Lever Slide Block Guide
231c	13826	Work Clamp Carrier Side Throw Lever Slide Block Guide Screw (3)
201097c	13826	Work Clamp Carrier Side Throw Lever Slide Block Screw Stud ..
201530E	13826	Work Clamp Carrier Side Throw Lever Slide Block Screw Stud Nut
252815	13974	Work Clamp Carrier Slide (left) with 200119b
250254	15404	Work Clamp Carrier Slide (right) with 200119b
255082	13938	Work Clamp Carrier Slide Adjusting Bracket with 255061 and two 208b
236D	13840	Work Clamp Carrier Slide Adjusting Bracket Screw (2)
208D	13817	Work Clamp Carrier Slide Adjusting Screw
255061	13938	Work Clamp Carrier Slide Adjusting Screw Locking Plate
255509	13938	Work Clamp Carrier Slide Gib (left, back)
255510	13938	Work Clamp Carrier Slide Gib (left, front)
255511	13938	Work Clamp Carrier Slide Gib (right, back)
255512	13938	Work Clamp Carrier Slide Gib (right, front)
1094E	13883	Work Clamp Carrier Slide Gib Screw
250255	15404	Work Clamp Carrier Slide Stay Plate
250597	13938	Work Clamp Carrier Slide Stay Plate Position Pin (2)
231c	13826	Work Clamp Carrier Slide Stay Plate Screw (5)
252621	15406	Work Clamp Check (left) with 1296E

No.	Plate	Name
250512	15406	Work Clamp Check Extension (left)
229D	15406	" " " " Screw
602D	15406	" " " " Screw
1296E	15406	" " " " Stop Screw
252622	---	Work Clamp Check (left) complete, Nos. 250512, 252621 and two 229D
252623	15406	Work Clamp Check (right) with 1296E
250513	15406	Work Clamp Check Extension (right)
252624	---	Work Clamp Check (right) complete, Nos. 250513, 252623 and two 229D
252194	13823	Work Clamp Closing Lever
250266	15407	" " " " (hand) with 209E
2269	13895	Work Clamp Closing Lever (hand) Position Pin
209E	13825	Work Clamp Closing Lever (hand) Set Screw
252196	13823	Work Clamp Closing Lever Adjusting Arm with 201531u, 201948 and 228026
1178E	13864	Work Clamp Closing Lever Adjusting Arm Screw
14017	13856	Work Clamp Closing Lever Adjusting Arm Screw Washer
255021	13935	Work Clamp Closing Lever Cam Groove Protector
210750	15407	Work Clamp Closing Lever Cam Groove Protector Position Pin ..
172D	13862	Work Clamp Closing Lever Cam Groove Protector Screw
255022	13938	Work Clamp Closing Lever Cam Safety Latch
350198E	13938	Work Clamp Closing Lever Cam Safety Latch Hinge Screw
255023	13938	Work Clamp Closing Lever Cam Safety Latch Spring
250261	13891	Work Clamp Closing Lever Disengaging Block
183c	13840	Work Clamp Closing Lever Disengaging Block Screw
250406	13891	Work Clamp Closing Lever Disengaging Block Shim (.005 in. thick)
250407	13891	Work Clamp Closing Lever Disengaging Block Shim (.010 in. thick)
255068	13938	Work Clamp Closing Lever Engaging Stud

No.	Plate	Name
250263	13823	Work Clamp Closing Lever Engaging Stud Latch
250264	13891	Work Clamp Closing Lever Engaging Stud Latch Spring
1241e	13895	Work Clamp Closing Lever Engaging Stud Latch Spring Screw Eye
201956	13891	Work Clamp Closing Lever Engaging Stud Roller
255069	13938	Work Clamp Closing Lever Engaging Stud Roller Cap
350133e	13891	Work Clamp Closing Lever Engaging Stud Screw
250265	13891	Work Clamp Closing Lever Engaging Stud Spring
255070	----	Work Clamp Closing Lever Engaging Stud complete, Nos. 201956, 255068, 255069 and 350133e
201438c	13891	Work Clamp Closing Lever Hinge Screw
201947	13891	Work Clamp Closing Lever Roller
201948	13891	" " " " " "
		201947 with 350156e
350156e	13891	Work Clamp Closing Lever Roller Screw Stud
201531H	13972	Work Clamp Closing Lever Roller Screw Stud Nut
228026	13859	Work Clamp Closing Lever Roller Screw Stud Washer
250267	13891	Work Clamp Closing Lever Spring
1241e	13895	" " " " " "
		Screw Eye (2)
991c	13891	Work Clamp Closing Lever Stop Screw
250268	15407	Work Clamp Connection Lever (left) with 209e
250269	15407	Work Clamp Connection Lever (right) with 209e
2269	13895	Work Clamp Connection Lever Position Pin
209e	13825	Work Clamp Connection Lever Set Screw
250270	15402	Work Clamp Opening Bell Crank with 1819
659D	13895	Work Clamp Opening Bell Crank Hinge Screw
1819	13895	Work Clamp Opening Bell Crank Roller and Stud
232200	13895	Work Clamp Opening Bell Crank Spring

No.	Plate	Name
1241e	13895	Work Clamp Opening Bell Crank Spring Screw Eye
253680	15407	Work Clamp Opening Cam with 462c
12509	15407	Work Clamp Opening Cam Position Pin
462c	13847	Work Clamp Opening Cam Set Screw
250551	13895	Work Clamp Opening Lever with 1253c
251519	13939	Work Clamp Opening Lever Latch
253679	-----	" " " " " "
		Releasing Bracket with 200e, 1547j and 350218c
200e	13816	Work Clamp Opening Lever Latch Releasing Bracket Set Screw
350218c	15407	Work Clamp Opening Lever Latch Releasing Screw
1547j	15407	Work Clamp Opening Lever Latch Releasing Screw Check Nut
10249	13939	Work Clamp Opening Lever Latch Spring
217e	13864	Work Clamp Opening Lever Latch Spring Screw
7071	13856	Work Clamp Opening Lever Latch Spring Screw Washer
194c	13856	Work Clamp Opening Lever Latch Stop Screw
2269	13895	Work Clamp Opening Lever Position Pin
1253c	13895	Work Clamp Opening Lever Set Screw
255077	13939	Work Clamp Opening Rod
255078	13939	" " " " " " Connection
255079	----	Work Clamp Opening Rod complete, Nos. 203c, 1662j, 250287, 255077 and 255078
807D	13895	Work Clamp Opening Rod Connection Hinge Screw
250274	13895	Work Clamp Opening Rod Guide with 808e
808e	13895	Work Clamp Opening Rod Guide Pinch Screw
1662j	13939	Work Clamp Opening Rod Nut
250275	13895	" " " " Stop (adjustable)

No.	Plate	Name
207F	13895	Work Clamp Opening Stop Screw
250276	15407	" " Spreader (left)
350140D	15407	" " " " Screw..
250277	15407	" " " (right)
201463D	15407	" " " " Screw ..
991E	13891	" " " Adjusting Screw
252202	13953	" " " " "
		Bracket
207F	13895	Work Clamp Spreader Adjusting Screw Bracket Screw
1550J	15401	Work Clamp Spreader Adjusting Screw Nut
250279	15404	Work Clamp Spreader Base Plate
50058D	15407	" " " " "
		Screw (2)
253503	15401	Work Clamp Spreader Cam
253504	15407	" " " " Crank with 906c
2269	13895	Work Clamp Spreader Cam Crank Position Pin
906c	13862	Work Clamp Spreader Cam Crank Set Screw
253505	13953	Work Clamp Spreader Connection
253506	13953	" " " " "
		Bracket with 201981
1981	13953	Work Clamp Spreader Connection Bracket Roller
201981	13953	Work Clamp Spreader Connection Bracket Roller 1981 with 253524
253524	15407	Work Clamp Spreader Connection Bracket Roller Stud
208E	13817	Work Clamp Spreader Connection Bracket Screw (2)
201453c	13953	Work Clamp Spreader Connection Hinge Screw
250281	13953	Work Clamp Spreader Connection Link (left)
253507	13953	Work Clamp Spreader Connection Link (right)
201452E	15407	Work Clamp Spreader Connection Link Hinge Screw (2)
253508	13953	Work Clamp Spreader Lever (front)
940F	13953	" " " " "
		Hinge Screw
194c	13856	Work Clamp Spreader Lever (front) Screw Stud
253509	13953	Work Clamp Spreader Operating Fork Lever
253510	15402	Work Clamp Spreader Operating Fork Lever Connection

No.	Plate	Name
106e	13953	Work Clamp Spreader Operating Fork Lever Connection Hinge Screw (front)
99c	13953	Work Clamp Spreader Operating Fork Lever Connection Hinge Screw (rear)
350138E	13939	Work Clamp Spreader Operating Fork Lever Hinge Screw
255081	13939	Work Clamp Spreader Operating Fork Lever Stop Plate
203E	13860	Work Clamp Spreader Operating Fork Lever Stop Plate Screw ...
7071	13856	Work Clamp Spreader Operating Fork Lever Stop Plate Screw Washer
250285	15407	Work Clamp Spreader Operating Pawl
252512	13953	Work Clamp Spreader Operating Pawl Adjusting Block
176D	13839	Work Clamp Spreader Operating Pawl Adjusting Block Screw ...
7071	13856	Work Clamp Spreader Operating Pawl Adjusting Block Screw Washer
132E	15407	Work Clamp Spreader Operating Pawl Adjusting Screw
201669E	15407	Work Clamp Spreader Operating Pawl Adjusting Screw Nut
741c	13847	Work Clamp Spreader Operating Pawl Hinge Screw
250286	15407	Work Clamp Spreader Operating Pawl Spring
201314c	15407	Work Clamp Spreader Operating Pawl Stop Screw
252513	---	Work Clamp Spreader Operating Pawl complete, Nos. 176D, 7071, 250285 and 252512
232312	13953	Work Clamp Spreader Plate (2) ..
201121D	13953	" " " " Screw (4)
250287	13939	Work Clamp Spreader Releaser
203c	13860	" " " " " Screw
201314c	15407	Work Clamp Spreader Screw Stud (2)

No.	Plate	Name
253525	13953	Work Clamp Spreader Stop Plate
237F	13817	" " " " " "
		Screw
255003	13939	Work Clamp Spring
255016	13939	" " " " Wear Plate
792D	13936	" " " " " " Screw

LIST OF PARTS COMPLETE

FOR

MACHINE No. 99w95

No.	Plate	Name
*250001	---	Arm
204235	13811	" Position Pin (2)
200020F	13811	" Screw (1)
232488	13858	" Shaft
232489	13858	" " Bevel Gear (order Position Screw or Set Screw as required)
232244	13811	Arm Shaft Bevel Gear Position Pin
350223I	13972	" " " " " Screw
453I	13851	" " " " " Set Screw..
232002	13812	" " Bushing (back) with 202260
232490	13812	Arm Shaft Bushing (front) with 202260
202260		Arm Shaft Bushing Oil Packing (wick)
200100F	13811	Arm Shaft Bushing Screw (4)
232003	13858	" " Hand Wheel with two 200341c
200341c	13858	Arm Shaft Hand Wheel Set Screw
150D	13858	" " Screw
250002	13812	" Side Cover
200110D	13811	" " " Screw (2)
*252002		Bed with 250078, 255509 to 255512, two each 127D, 40025 and eight 1094E
250009	---	Bed End Cover
232025	13811	" " " Catch (2)
232026	13811	" " " " Position Pin (2)
250010	13811	Bed End Cover Catch Releaser (2)
204264	13811	" " " " " Stop Pin (2)
200047D	13811	Bed End Cover Catch Screw (2) ..
201531E	13972	" " " " " Nut (2)
250011	13811	" " " Support (left)
250012	13811	" " " " (right)
457c	13811	" " " " " Set Screw ..
250013	- -	" Extension
250397	13811	" " Position Pin (2)

No.	Plate	Name
134D	13811	Bed Extension Screw (4)
250014	13858	" Shaft
255521	13932	" " Bevel Gear with two 453c
232719	13853	" " " " Position Pin (2)
453c	13851	Bed Shaft Bevel Gear Set Screw ..
232030	13812	" " Bushing (back) with 202260
202260	---	Bed Shaft Bushing (back) Oil Pack- ing (wick)
232821	13811	Bed Shaft Bushing (back) Oil Tube (brass)
230795	13811	Bed Shaft Bushing (back) Oil Tube Pin
200100E	13811	Bed Shaft Bushing (back) Screw (2)
250015	13812	Bed Shaft Bushing (front)
255527	13932	" " " " Oil Tube (brass)
250451	13972	Bed Shaft Bushing (front) Oil Tube Bracket
330D	13972	Bed Shaft Bushing (front) Oil Tube Bracket Screw
232244	13811	Bed Shaft Bushing (front) Position Pin
200100E	13811	Bed Shaft Bushing (front) Screw (2)
250017	13858	Bed Shaft Collar with two 1258E (2)
1258E	13858	Bed Shaft Collar Set Screw
232725	13811	Belt Guard
9D	13811	" " Screw
252020	15411	Buttonhole Cutting Block (steel), 2 in. (eye or taper bar)
350111c	13883	Buttonhole Cutting Block Pinch Screw
250468	13883	Buttonhole Cutting Block Pinch Screw Washer
990D	13883	Buttonhole Cutting Block Stop Screw
250020	13818	Buttonhole Cutting Carrier Cam with 200364c
40025	13834	Buttonhole Cutting Carrier Cam Position Pin
200364c	13972	Buttonhole Cutting Carrier Cam Set Screw
250021	13818	Buttonhole Cutting Carrier Lever with 990D, 201366c, 201524E and 201892

No.	Plate	Name
50031c	13883	Buttonhole Cutting Carrier Lever Adjusting Screw Stud
1698c	13847	Buttonhole Cutting Carrier Lever Adjusting Screw Stud Nut
39541	13864	Buttonhole Cutting Carrier Lever Adjusting Screw Stud Nut Wash- er
250022	13883	Buttonhole Cutting Carrier Lever Adjusting Screw Stud Sleeve
201892	13883	Buttonhole Cutting Carrier Lever Roller
990D	13883	Buttonhole Cutting Carrier Lever Roller Cap Screw
201366c	13883	Buttonhole Cutting Carrier Lever Roller Screw Stud
201524E	13883	Buttonhole Cutting Carrier Lever Roller Screw Stud Nut
232038	13972	Buttonhole Cutting Carrier Lever Slide Block
250023	13972	Buttonhole Cutting Disengaging Lever
350233c	13972	Buttonhole Cutting Disengaging Lever Hinge Screw
203213	13936	Buttonhole Cutting Disengaging Lever Spring
250592	13972	Buttonhole Cutting Disengaging Push Rod
2273	13972	Buttonhole Cutting Disengaging Push Rod Pin
250290	13818	Buttonhole Cutting Driving Wheel with 446E
232043	13883	Buttonhole Cutting Driving Wheel Lock
232044	13883	Buttonhole Cutting Driving Wheel Lock Spring
200051E	13883	Buttonhole Cutting Driving Wheel Lock Spring Screw
228026	13859	Buttonhole Cutting Driving Wheel Lock Spring Screw Washer
232724	13883	Buttonhole Cutting Driving Wheel Lock Stop Plate
1094E	13883	Buttonhole Cutting Driving Wheel Lock Stop Plate Screw (2)
232150	13972	Buttonhole Cutting Driving Wheel Position Pin
446E	13972	Buttonhole Cutting Driving Wheel Set Screw
252062	15412	Buttonhole Cutting Knife (.100 x .180 eye)

No.	Plate	Name
250027	13883	Buttonhole Cutting Knife Adjusting Block
1100D	13883	Buttonhole Cutting Knife Adjusting Block Screw
252064	13972	Buttonhole Cutting Knife Base Plate
201474E	13883	Buttonhole Cutting Knife Base Plate Adjusting Screw (2)
1454E	13883	Buttonhole Cutting Knife Base Plate Screw
250475	13883	Buttonhole Cutting Knife Clamping Lever
350114c	13883	Buttonhole Cutting Knife Clamping Lever Hinge Screw
250030	13885	Buttonhole Cutting Knife Clamping Plate
252065	13974	Buttonhole Cutting Lever (lower) with 251269 and 251270
250032	13973	Buttonhole Cutting Lever (lower) Cam with 453c
40025	13834	Buttonhole Cutting Lever (lower) Cam Position Pin
453c	13851	Buttonhole Cutting Lever (lower) Cam Set Screw
252066	13974	Buttonhole Cutting Lever (upper) with 232482 and two 232483
252067	13973	Buttonhole Cutting Lever (upper) Cam with 453c
40025	13834	Buttonhole Cutting Lever (upper) Cam Position Pin
453c	13851	Buttonhole Cutting Lever (upper) Cam Set Screw
252068	13973	Buttonhole Cutting Lever Bracket with 350146E
250036	13885	Buttonhole Cutting Lever Bracket Gib (left)
250037	13885	Buttonhole Cutting Lever Bracket Gib (right)
232380	13885	Buttonhole Cutting Lever Bracket Gib Adjusting Plate (2)
219E	13856	Buttonhole Cutting Lever Bracket Gib Adjusting Plate Screw (4) ..
206482	13885	Buttonhole Cutting Lever Bracket Gib Adjusting Plate Screw Washer (4)
201176E	13885	Buttonhole Cutting Lever Bracket Gib Screw (6)
250038	13885	Buttonhole Cutting Lever Hinge Stud

No.	Plate	Name
350146E	13972	Buttonhole Cutting Lever Hinge Stud Set Screw
251268	13885	Buttonhole Cutting Lever Spring
251269	13885	" " " "
		Bracket (lower)
251270	13885	Buttonhole Cutting Lever Spring Bracket (lower) Pin
232482	13885	Buttonhole Cutting Lever Spring Bracket (upper)
232483	13885	Buttonhole Cutting Lever Spring Bracket (upper) Pin
252069	13973	Buttonhole Cutting Pressure Wedge with 232056
*201155D	13816	Buttonhole Cutting Pressure Wedge Adjusting Screw
250538	---	Buttonhole Cutting Pressure Wedge Adjusting Screw 201155D with 2273, 201672E, 232054 and 232055
232054	13816	Buttonhole Cutting Pressure Wedge Adjusting Screw Collar
232055	13816	Buttonhole Cutting Pressure Wedge Adjusting Screw Collar Position Pin
232466	13816	Buttonhole Cutting Pressure Wedge Adjusting Screw Lock Spring ..
662D	13816	Buttonhole Cutting Pressure Wedge Adjusting Screw Lock Spring Screw
201672E	13816	Buttonhole Cutting Pressure Wedge Adjusting Screw Nut
2273	13972	Buttonhole Cutting Pressure Wedge Adjusting Screw Nut Pin
232056	13816	Buttonhole Cutting Pressure Wedge Boss
232057	13816	Buttonhole Cutting Pressure Wedge Post with 662D and 232466
200122H	13816	Buttonhole Cutting Pressure Wedge Post Screw
250040	13957	Buttonhole Cutting Shaft
232383	13957	" " " " Hand Crank with 201484c
201468H	13816	Buttonhole Cutting Shaft Hand Crank Cap Screw
201484c	13816	Buttonhole Cutting Shaft Hand Crank Position Screw
203172	13972	Buttonhole Cutting Shaft Hand Crank Washer
255019	---	Buttonhole Cutting Shaft Pulley (loose) with 255021, two each 172D, 210750 and eight 232817 ..

No.	Plate	Name
232513	13816	Buttonhole Cutting Shaft Pulley Bushing
232817	13816	Buttonhole Cutting Shaft Pulley Stud
255020	13933	Buttonhole Cutting Shaft Pulley complete, Nos. 255019, two each 255022, 255023 and 350198e
250042	13974	Buttonhole Cutting Starting Lever with 201085c
232718	13973	Buttonhole Cutting Starting Lever Hinge Stud
200530E	13816	Buttonhole Cutting Starting Lever Hinge Stud Set Screw
232064	13816	Buttonhole Cutting Starting Lever Latch
350148D	13972	Buttonhole Cutting Starting Lever Latch Hinge Screw
201531E	13972	Buttonhole Cutting Starting Lever Latch Hinge Screw Nut
232065	13816	Buttonhole Cutting Starting Lever Latch Spring
201218E	13816	Buttonhole Cutting Starting Lever Latch Spring Screw Stud (2) ..
200E	13816	Buttonhole Cutting Starting Lever Latch Stop Screw
250043	13817	Buttonhole Cutting Starting Lever Plate
200577H	13817	Buttonhole Cutting Starting Lever Plate Screw (2)
201085c	13817	Buttonhole Cutting Starting Lever Restoring Screw Stud
250456	13817	Buttonhole Cutting Starting Lever Safety Plate
208E	13817	Buttonhole Cutting Starting Lever Safety Plate Screw (2)
250044	13817	Buttonhole Cutting Starting Lever Spring
350105E	13816	Buttonhole Cutting Starting Lever Spring Screw Stud
250045	13817	Buttonhole Cutting Trip Lever with 460c
250046	13817	Buttonhole Cutting Trip Lever Bracket
232154	13817	Buttonhole Cutting Trip Lever Bracket Position Pin (2)
161D	13817	Buttonhole Cutting Trip Lever Bracket Screw (2)
2049	13817	Buttonhole Cutting Trip Lever Position Pin

No.	Plate	Name
250047	13817	Buttonhole Cutting Trip Lever Safety Lever with 237E
232343	13847	Buttonhole Cutting Trip Lever Safety Lever Position Pin
237E	13817	Buttonhole Cutting Trip Lever Safety Lever Set Screw
460c	13817	Buttonhole Cutting Trip Lever Set Screw
250048	13817	Buttonhole Cutting Trip Lever Shaft
250049	13817	Buttonhole Cutting Trip Lever Spring
201432c	13817	Buttonhole Cutting Trip Screw Stud
1521J	13817	Buttonhole Cutting Trip Screw Stud Nut
255062	13972	Buttonhole Cutting Trip Screw Stud Shim (.010 in. thick)
255063	13972	Buttonhole Cutting Trip Screw Stud Shim (.025 in. thick)
250050	13834	Driving Wheel (loose)
232110	-----	" " with 200395c and two 232113
232112	13834	Driving Wheel Friction Gib
232113	13853	" " " " Position Pin
8873	13972	Driving Wheel Position Pin
200395c	13972	" " Set Screw
251024	13932	" " Stop Cam
251025	13932	" " " " Position Collar with 4036c
1036c	13972	Driving Wheel Stop Cam Position Collar Set Screw
250417	13864	Driving Wheel Stop Cam Spring
200096D	13864	" " " " " " Position Screw
350073E	13972	Driving Wheel Stop Cam Stop Screw
232520	13812	Face Plate
641D	13853	" " Screw (2)
232521	13898	Feed Adjusting Gear
250052	13898	" " " Bracket
250053	13898	" " " " Clamp- ing Post
690D	13862	Feed Adjusting Gear Bracket Clamping Post Screw (2)
350113c	13899	Feed Adjusting Gear Bracket Clamping Screw
250473	13972	Feed Adjusting Gear Bracket Clamping Screw Washer

No.	Plate	Name
201428c	13899	Feed Adjusting Gear Screw Stud
1518j	13899	“ “ “ “ “
		Nut
252071	13973	Feed Driving Differential Gear (large)
252072	13973	Feed Driving Differential Gear (small)
232721	13899	Feed Driving Differential Gear Position Pin
201402E	13972	Feed Driving Differential Gear Set Screw
252073	13973	Feed Driving Differential Gear Shaft
250704	13973	Feed Driving Gear (intermediate) with 457c
252075	13973	Feed Driving Gear (intermediate) Bracket
250399	13972	Feed Driving Gear (intermediate) Bracket Position Pin (2)
143E	13972	Feed Driving Gear (intermediate) Bracket Screw (2)
350118c	13975	Feed Driving Gear (intermediate) Screw Stud
252076		Feed Wheel with three 232382
250057	13825	“ “ Driving Pawl (3)
201385c	13825	“ “ “ “ Hinge Screw (3)
250058	13825	Feed Wheel Driving Pawl Spring (3)
232382	13825	Feed Wheel Driving Pawl Spring Pin
1449H	13825	Feed Wheel Driving Pawl Spring Screw (3)
350071E	13825	Feed Wheel Friction Ring Adjusting Screw
201522E	13825	Feed Wheel Friction Ring Adjusting Screw Lock Nut
232131	13825	Feed Wheel Friction Ring Adjusting Screw Washer (2)
250059	13826	Feed Wheel Friction Ring Bracket
200070c	13825	“ “ “ “ “ Screw (2)
250060	13826	Feed Wheel Friction Ring Section (long)
250061	13826	Feed Wheel Friction Ring Section (short)
232135	13825	Feed Wheel Friction Ring Spring ..
232532	13957	“ “ Ring

No.	Plate	Name
250062	13825	Feed Wheel Ring Gib (3)
209E	13825	“ “ “ “ Screw (6) ..
201362c	13825	“ “ Screw Stud
250418	13859	Finger Starting Lever with 250435 and 250436
250419	13859	Finger Starting Lever Hinge Block
350080b	13859	“ “ “ “ “ Hinge Screw
252212	13973	Finger Starting Lever (intermediate)
255080		Finger Starting Lever (intermediate) Bracket with 208E and 991c
208E	13817	Finger Starting Lever (intermediate) Bracket Pinch Screw
158E	13859	Finger Starting Lever (intermediate) Bracket Screw
72b	13856	Finger Starting Lever (intermediate) Hinge Screw
646E	13859	Finger Starting Lever (intermediate) Operating Stud
251292	13975	Finger Starting Lever (intermediate) Operating Stud Collar with 646E
2273	13972	Finger Starting Lever (intermediate) Operating Stud Collar Position Pin
200097c	13859	Finger Starting Lever Screw
228026	13859	“ “ “ “ Washer
251518	15401	“ “ “ Spring
250435	13859	“ “ “ Stud (back) ..
250436	13859	“ “ “ “ (front) ..
232539	13899	Intermittent Feed Driving Wheel with two 465c
*252077		Intermittent Feed Driving Wheel Bracket
232244	13811	Intermittent Feed Driving Wheel Bracket Position Pin (2)
129E	13899	Intermittent Feed Driving Wheel Bracket Screw (4)
250589	13975	Intermittent Feed Driving Wheel Driving Stud
204648	13899	Intermittent Feed Driving Wheel Driving Stud Position Pin
232541	13899	Intermittent Feed Driving Wheel Position Pin
465c	13899	Intermittent Feed Driving Wheel Set Screw
232542	13899	Intermittent Feed Driving Wheel Shaft

No.	Plate	Name
252078	13975	Intermittent Feed Driving Wheel Shaft Gear with 465c
232721	13899	Intermittent Feed Driving Wheel Shaft Gear Position Pin
465c	13899	Intermittent Feed Driving Wheel Shaft Gear Set Screw
250064	13900	Loop Retainer (left)
250065	13900	" " " Carrier
251153	13900	" " (right)
250067	13900	" " " Carrier
250068	13900	" " Adjusting Block (2)..
255055	15402	" " Cam with 350223e
40025	13834	" " " Position Pin ...
350223E	13972	" " " Set Screw
250070	13900	" " Carrier Link (2)
201431c	13900	" " " " Screw (4)
250071	13900	" " " Shaft
735E	13900	" " " " Set Screw
250073	13900	" " Driving Bar
250410	13900	" " " " Collar with 200130c
200130c	13900	Loop Retainer Driving Bar Collar Pinch Screw
185H	13900	Loop Retainer Screw (2)
250491	13975	" " " Washer (2) ..
250074	13900	" " Shim, .005 in. thick ..
250449	13900	" " " .010 in. thick ..
250450	13900	" " " .020 in. thick ..
250537	13900	" " " .030 in. thick ..
250075	13842	" " Slide with 201943
250076	13900	" " " Gib (lower) (2)..
250077	13900	" " " " (upper) (2)..
190D	13900	" " " " Screw (6) ..
*250078	13900	" " " Guide Extension
40025	13834	" " " " " "
		Position Pin (2)
127D	13900	Loop Retainer Slide Guide Exten- sion Screw (2)
201896	13900	Loop Retainer Slide Roller
201943	----	" " " " 201896 with 250429
250429	13900	Loop Retainer Slide Roller Stud ..
253472	13901	Looper (non threaded)
250080	13901	" (threaded)
250081	13842	" Bracket with 735E
201658c	13901	" " Adjusting Nut
201659c	13901	" " " " Locking Nut

No.	Plate	Name
234E1		Looper Bracket Dogging Hole Plug
250082	13842	" " Frame Chip Guard
401D	13901	" " " " " "
		Screw (2)
232555	13862	Looper Bracket Rotating Gear with 906E
250084	13862	Looper Bracket Rotating Gear Posi- tion Pin
906E	13862	Looper Bracket Rotating Gear Set Screw
250085	13901	Looper Carrier
201433c	13901	" " Hinge Screw
250086	13901	" " Link
201099c	13901	" " " Hinge Screw (2)
250087	13901	" Driving Bar
250088	13901	" " Connection with 1120c, 250471 and two 233D
250471	13901	Looper Driving Connection Plate
233D	13901	" " " " "
		Screw
1120c	13901	Looper Driving Connection Set Screw
250089	13901	Looper Driving Connection Slide Rod
250090	13901	Looper Driving Connection Slide Rod Bushing (lower)
250091	13901	Looper Driving Connection Slide Rod Bushing (upper)
250092	13901	Looper Driving Crank
250446	13901	" " " Bushing
201176E	13885	" " " " Screw (2)
250094	13901	Looper Driving Crank Gear with 735E
250095	13901	Looper Driving Crank Gear Posi- tion Pin
735E	13900	Looper Driving Crank Gear Set Screw
250096	13901	Looper Driving Crank Link
199c	13901	" " " " Cap Screw
350278c	13975	Looper Driving Crank Link Hinge Screw
250097	13839	Looper Driving Disc
255035	----	" " " 250097 with 201435c and 201704e

No.	Plate	Name
201435c	13839	Looper Driving Disc Screw Stud ..
201704E	13839	" " " " " Nut
250098	13839	" " Gear
176D	13839	" " " Screw (3)
201898	13839	" " Roller
201953	---	" " " 201898 with 201144E and 250099 (2)
201144E	13839	Looper Driving Roller Cap Screw..
250099	13839	" " " Stud
*250100	13839	" Frame
250462	13840	" " Chip Guard
232866	13840	" " Position Pin (2)
201082E	13840	" " Screw (3)
190E	13900	" Screw (2)
250101	13840	" " Washer (2)
232270	13840	" Thread and Cord Clamping Spring (long)
232271	13840	Looper Thread and Cord Clamping Spring (short)
200186B	13840	Looper Thread and Cord Clamping Spring Screw
232272	13840	Looper Thread and Cord Cutter
200186B	13840	" " " " " " Screw
250425	13840	Looper Thread Controlling Cam
236D	13840	" " " " " Screw (2)
250426	13840	Looper Thread Controlling Lever with 201979
250427	13840	Looper Thread Controlling Lever Bracket
183E	13840	Looper Thread Controlling Lever Bracket Screw (2)
50061c	13840	Looper Thread Controlling Lever Hinge Screw
201979	13975	Looper Thread Controlling Lever Roller and Stud
250428	13840	Looper Thread Controlling Lever Spring
1120c	13901	Looper Thread Controlling Lever Spring Screw
253513	15401	Looper Thread Controlling Spring
253488	15401	" " " " " Stop
219E	13856	Looper Thread Controlling Spring Stop Screw

No.	Plate	Name
18859	13840	Looper Thread Guide
250102	13840	" " Leader
1423F	13840	" " " Screw
32012	13902	" " Tension Disc (2) ...
253530	15401	" " " Releaser
253531	13932	" " " " Lever
350224E	13934	" " " " " Hinge Screw
253532	13933	Looper Thread Tension Releaser Lever Rod
253535	13932	Looper Thread Tension Releaser Lever Rod Collar with 237E (2)
237E	13817	Looper Thread Tension Releaser Lever Rod Collar Set Screw
251170	13856	Looper Thread Tension Releaser Lever Spring
1550J	15401	Looper Thread Tension Releaser Nut
7071	13856	Looper Thread Tension Releaser Nut Washer
253534	13932	Looper Thread Tension Releaser Operating Cam Block with 219E
219E	13856	Looper Thread Tension Releaser Operating Cam Block Set Screw
253533	13932	Looper Thread Tension Releaser Operating Lever with 237E
237E	13817	Looper Thread Tension Releaser Operating Lever Set Screw
232515	13902	Looper Thread Tension Spring
1043c	13902	" " " Stud
171D	13902	" " " " Set Screw
1560c	13846	" " " Thumb Nut.
232516	13902	" " Tube (brass)
232517	13902	" " Bracket (2) ...
190D	13900	" " " " Screw (2)
251152	13972	Lower Cord Leader
185D	13900	" " " Screw
250444	13904	" " " " Washer ..
32012	13902	" " Tension Disc (2)
232515	13902	" " " Spring
637c	13934	" " " Stud
225604	15401	" " " " Washer ..
1560c	13846	" " " Thumb Nut ..
232516	13902	" " Tube (brass)
250451	13972	" " " Bracket (2)
250105	13903	Needle Bar Driving Crank with 200394c and two 200382c
40025	13834	Needle Bar Driving Crank Position Pin

No.	Plate	Name
200394c	15401	Needle Bar Driving Crank Set Screw
250106	13903	Needle Driving Bar
232177	13903	" " " Bushing
232176	13903	" " " Collar with 200083E
200083E	13847	Needle Driving Bar Collar Pinch Screw
232178	13903	Needle Driving Bar Link
232709	13903	" " " " Hinge Stud with 222598
222598	---	Needle Driving Bar Link Hinge Stud Oil Packing (wick)
200382c	13903	Needle Driving Bar Link Hinge Stud Set Screw
250108	13903	Needle Driving Bar Swivel with 210933
210933	---	Needle Driving Bar Swivel Oil Packing (wick)
255072	13934	Needle Guard
230E	13934	" " Screw
233D	13901	" " " (support end)
255073	13934	" " Support
251214	13903	" Holder with 904E
250111	15401	" " Gauge Plate
201482D	13903	" " " " Adjusting Screw
250112	13903	Needle Holder Gauge Plate Block
201670c	15401	" " " " " Adjusting Nut
201670c	15401	Needle Holder Gauge Plate Block Adjusting Nut Lock Nut
200124H	13903	Needle Holder Gauge Plate Screw (2)
208E	13817	Needle Holder Screw
255074	15401	" " Slide
250114	13903	" " " Lever with 255056
201434c	13903	Needle Holder Slide Lever Hinge Screw
255056	13934	Needle Holder Slide Lever Pin
250115	13903	" " " " Stud
208E	13817	" " " " " Screw
250116	13903	Needle Holder Slide Lever Stud Screw Washer

No.	Plate	Name
251155	13903	Needle Holder Slide Spring
201225c	13903	" " " Stud
250117	13862	" Rotating Gear with 735E
250118	13862	" " " Key
735E	13900	" " " Set Screw
904E	13903	" Set Screw
253629	13934	" Thread Controller
1520J	13856	" " " Nut
255004	13934	" " " Spring
255005	---	" " " " Bracket with 171E
255067	13934	Needle Thread Controller Spring Bracket 255005 with 231c, 252081, 255004, 255006 and 255007
18587	13934	Needle Thread Controller Spring Bracket Position Pin
202F	13934	Needle Thread Controller Spring Bracket Screw
255006	13934	Needle Thread Controller Spring Stop
231c	13826	Needle Thread Controller Spring Stop Adjusting Screw
255007	13934	Needle Thread Controller Spring Thread Guide
252081	13934	Needle Thread Controller Stud
171E	13902	" " " " Set Screw
10145	13934	Needle Thread Guide
250419	13934	" " " "
232792	13932	" " Leader
1664E	13934	" " " Nut
10106	13934	" " Retainer Disc
39713	13934	" " " Spring
996E	13934	" " " " Screw Stud
252081	13934	Needle Thread Retainer Stud
171E	13902	" " " " Set Screw
252082	13934	Needle Thread Retainer Tension Disc
252083	13932	Needle Thread Tension Bracket
159D	13934	" " " " Screw (2)
32012	13902	Needle Thread Tension Disc (2)
154c	13936	" " " Releasing Adjusting Screw
1550J	15401	Needle Thread Tension Releasing Adjusting Screw Nut
255008	15401	Needle Thread Tension Releasing Block with 200E

No.	Plate	Name
200E	13816	Needle Thread Tension Releasing Block Set Screw
240D	13936	Needle Thread Tension Releasing Block Stop Screw
32572	13846	Needle Thread Tension Releasing Disc
255009	13933	Needle Thread Tension Releasing Lever
255010	13933	Needle Thread Tension Releasing Lever Bracket
200346C	13936	Needle Thread Tension Releasing Lever Bracket Adjusting Screw
145E	13853	Needle Thread Tension Releasing Lever Bracket Screw (lower) ..
200062U	13936	Needle Thread Tension Releasing Lever Bracket Screw (upper) ..
35D	15401	Needle Thread Tension Releasing Lever Hinge Screw
255011	13936	Needle Thread Tension Releasing Lever Spring
39635	13846	Needle Thread Tension Releasing Pin
255013	13935	Needle Thread Tension Releasing Rod
255014	13936	Needle Thread Tension Releasing Rod Bracket
190D	13900	Needle Thread Tension Releasing Rod Bracket Screw (2)
255015	13936	Needle Thread Tension Releasing Rod Plate
792E	13936	Needle Thread Tension Releasing Rod Plate Screw (2)
208E	13817	Needle Thread Tension Releasing Rod Screw
13710	13846	Needle Thread Tension Spring ...
1388C	13846	" " " Stud
1560C	13846	" " " Thumb Nut.
250140	13848	" Vibrating Adjusting Link
741C	13847	" " " " "
		Hinge Screw
350076C	13847	Needle Vibrating Adjusting Stud
1671C	13847	" " " " "
		Nut
39532	13847	Needle Vibrating Adjusting Stud Sleeve
250141	13848	Needle Vibrating Bell Crank
250142	13848	" " " " Connection
*38444	---	Needle Vibrating Bell Crank Connection End Bearing (back)

No.	Plate	Name
38446	13847	Needle Vibrating Bell Crank Connection End Bearing 38444 with 42524, 50016C and two 175E
50016C	13847	Needle Vibrating Bell Crank Connection End Bearing (back) Ball Screw Stud
1636E	13847	Needle Vibrating Bell Crank Connection End Bearing (back) Ball Screw Stud Nut
*42524	---	Needle Vibrating Bell Crank Connection End Bearing (back) Cap
175E	13936	Needle Vibrating Bell Crank Connection End Bearing (back) Cap Screw
1698C	13847	Needle Vibrating Bell Crank Connection End Bearing (back) Check Nut
*38443	---	Needle Vibrating Bell Crank Connection End Bearing (front)
250143	13847	Needle Vibrating Bell Crank Connection End Bearing 38443 with 42525, 201449C and two 175E
201449C	13847	Needle Vibrating Bell Crank Connection End Bearing (front) Ball Screw
*42525	---	Needle Vibrating Bell Crank Connection End Bearing (front) Cap
175E	13936	Needle Vibrating Bell Crank Connection End Bearing (front) Cap Screw
1697C	13847	Needle Vibrating Bell Crank Connection End Bearing (front) Check Nut
45C	13847	Needle Vibrating Bell Crank Hinge Screw
250144	13848	Needle Vibrating Lever
255034	13936	" " " Hinge Stud
443C	13936	" " " " "
		Set Screw
232420	13848	Needle Vibrating Ring with 462C ..
232421	13847	" " " Guide Stud
200083E	13847	" " " " "
		Set Screw

No.	Plate	Name
232343	13847	Needle Vibrating Ring Position Pin
462C	13847	" " " " Set Screw ..
250145	13848	" " " " Rod
250146	13848	" " " " Guide with 1230E
232343	13847	" " " " Position Pin
1230E	13851	" " " " Set Screw .
250147	13847	" " Switch
200308E	13847	" " " " Hinge Screw.
252130	—	Pattern Wheel, for 2 in. Eye and Straight Buttonhole
201668E	13904	Pattern Wheel Clamping Nut
250148	13904	" " Position Stud
250372	13904	" " Rapid Feed Trip Point
203E	13860	" " " " " " "
		Screw
252176	13974	Pattern Wheel Ring
252291	—	" " " " 252176 with 211E, 250443 and 250444
250443	13904	Pattern Wheel Ring Adjusting Seg- ment
211E	13904	Pattern Wheel Ring Adjusting Seg- ment Screw
250444	13904	Pattern Wheel Ring Adjusting Seg- ment Screw Washer
391D	13904	Pattern Wheel Ring Screw
252131	13974	Pattern Wheel, for 2 in. Eye and Straight Buttonhole complete, Nos. 252130, 252291, two each 203E, 250372 and three 391D
250149	13974	Pattern Wheel Shaft with 250148 ..
250150	13906	" " " " Bevel Gear with 168D
40025	13834	Pattern Wheel Shaft Bevel Gear Position Pin
168D	13904	Pattern Wheel Shaft Bevel Gear Set Screw
250151	13906	Pattern Wheel Shaft Bushing (left)
145E	13853	" " " " " " " Screw (2)
250152	13906	Pattern Wheel Shaft Bushing (right)
647E	13853	Pattern Wheel Shaft Bushing (right) Screw (2)
232600	13851	Pattern Wheel Shaft Collar with two 453c
453C	13851	Pattern Wheel Shaft Collar Set Screw
250154	13851	Rapid Feed Clutch Disengaging Lever (3)

No.	Plate	Name
253481	13935	Rapid Feed Clutch Disengaging Sleeve
250156	13851	Rapid Feed Clutch Driving Disc
1230F	13851	" " " " " Screw (4)
201897	13851	Rapid Feed Clutch Roller (3)
255095	13932	" " " " " " " " Carrier with 624E
40025	13834	Rapid Feed Clutch Roller Carrier Position Pin
624E	13851	Rapid Feed Clutch Roller Carrier Set Screw
250153	13851	Rapid Feed Clutch Roller Retainer (3)
208E	13817	Rapid Feed Clutch Roller Retainer Screw (3)
255096	13936	Rapid Feed Clutch Roller Spring (3)
255097	13936	Rapid Feed Clutch Roller Spring Guide Pin (3)
250158	13851	Rapid Feed Crank Shaft
250159	13851	" " " " " " " " Bushing (back)
250160	13851	Rapid Feed Crank Shaft Bushing (back) Oil Tube (lower) (brass)
250495	13851	Rapid Feed Crank Shaft Bushing (back) Oil Tube (upper) (brass)
250161	13851	Rapid Feed Crank Shaft Bushing (front)
436c	13851	Rapid Feed Crank Shaft Bushing Set Screw (2)
232600	13851	Rapid Feed Crank Shaft Collar with two 453c
453c	13851	Rapid Feed Crank Shaft Collar Set Screw
250452	13852	Rapid Feed Crank Shaft Gear with 458c
232719	13853	Rapid Feed Crank Shaft Gear Posi- tion Pin
458c	13853	Rapid Feed Crank Shaft Gear Set Screw
202260	—	Rapid Feed Crank Shaft Oil Pack- ing (wick) (2)
250163	13852	Rapid Feed Driving Gear
250398	15403	" " " " " " " " Key ...
250164	13852	" " " " " " " " Gear Guard
641D	13853	" " " " " " " " Screw (2) .
250534	13852	" " " " " " " " Intermediate Gear (bronze)

No.	Plate	Name
201447c	13853	Rapid Feed Intermediate Gear Screw Stud
1510E	13853	Rapid Feed Intermediate Gear Screw Stud Nut
250167	13852	Rapid Feed Intermediate Gear Screw Stud Nut Washer
250405	13853	Rapid Feed Intermediate Gear Screw Stud Washer
253536	13935	Rapid Feed Pawl Bell Crank with 202299
11c	13853	Rapid Feed Pawl Bell Crank Hinge Screw
202299	—	Rapid Feed Pawl Bell Crank Oil Packing (wick)
250171	13853	Rapid Feed Pawl Bell Crank Slide Block Section (2)
250172	13853	Rapid Feed Pawl Guide
181D	13853	" " " " Screw (2)
350166c	15403	" " " " Hinge Screw ...
1655E	15403	" " " " " Nut
252266	13935	" " Slide Bar
250174	13852	" " " " Bushing (left)
145E	13853	" " " " " " Screw (2)
250175	13852	Rapid Feed Slide Bar Bushing (right)
647E	13853	Rapid Feed Slide Bar Bushing (right) Screw (2)
252269	13936	Rapid Feed Slide Bar Collar with 448c
40025	13834	Rapid Feed Slide Bar Collar Position Pin
448c	13862	Rapid Feed Slide Bar Collar Set Screw
252267	13935	Rapid Feed Slide Bar Fork Connection with 889c
253538	15403	Rapid Feed Slide Bar Fork Connection Extension Plate
176D	13839	Rapid Feed Slide Bar Fork Connection Extension Plate Screw (2) ..
200603E	13853	Rapid Feed Slide Bar Fork Connection Position Screw
201448c	15403	Rapid Feed Slide Bar Fork Connection Screw Stud
889c	13853	Rapid Feed Slide Bar Fork Connection Set Screw
252306	13935	Rapid Feed Slide Bar Lock
252271	13936	" " " " " " Block
232055	13816	" " " " " " " Position Pin

No.	Plate	Name
704E	15403	Rapid Feed Slide Bar Lock Block Screw (2)
350262E	13936	Rapid Feed Slide Bar Lock Hinge Screw
250409	15403	Rapid Feed Slide Bar Lock Spring
1241E	13895	" " " " " " " Screw Eye
250194	13856	Rapid Feed Slide Bar Lock Trip
56c	13856	" " " " " " " Hinge Screw
252273	13936	Rapid Feed Slide Bar Spring
350293E	13936	" " " " " " Cap Screw
252274	13936	Rapid Feed Slide Bar Spring Washer
250180	15403	Rapid Feed Starting Latch
199c	13901	" " " " " " Cap Screw
201446c	13856	Rapid Feed Starting Latch Hinge Screw Stud
250181	15402	Rapid Feed Starting Lever with 1454E
255053	13935	Rapid Feed Starting Lever (operated by stop motion) with 704c, 1454E, 203213 and 255054
255064	15403	Rapid Feed Starting Lever Latch
350256c	15403	" " " " " " Hinge Screw
255092	15403	Rapid Feed Starting Lever Latch Spring
217E	13864	Rapid Feed Starting Lever Latch Spring Screw
253512	15403	Rapid Feed Starting Lever Latch Stop Washer
193D	13862	Rapid Feed Starting Lever Latch Stop Washer Screw
1330c	15403	Rapid Feed Starting Lever Operating Screw Stud
201445E	15403	Rapid Feed Starting Lever Position Screw (2)
1454E	13883	Rapid Feed Starting Lever Set Screw
250185	13855	Rapid Feed Starting Lever Shaft
250186	15403	" " " " " " Collar (left) with 200113E
204197	15403	Rapid Feed Starting Lever Shaft Collar (right) with 200113E
200113E	15403	Rapid Feed Starting Lever Shaft Collar Set Screw

No.	Plate	Name
250409	15403	Rapid Feed Starting Lever Spring
1241E	13895	" " " " "
		Screw Eye
255054	13936	Rapid Feed Starting Lever Stud ..
704C	15403	" " " " " Set
		Screw
203213	13936	Rapid Feed Starting Lever Stud
		Spring
253537	13935	Rapid Feed Starting Pawl
250188	15403	" " " " Spring
201454E	15403	" " " " "
		Screw Eye
250189	13855	Rapid Feed Starting Trip Lever
		with 1454E
201445E	15403	Rapid Feed Starting Trip Lever
		Position Screw
201437C	15403	Rapid Feed Starting Trip Lever
		Screw Stud
1454E	13883	Rapid Feed Starting Trip Lever
		Set Screw
251168	13856	Rapid Feed Tripping Pawl
350109C	13856	" " " " Hinge
		Screw
251169	13856	Rapid Feed Tripping Pawl Lever
250432	13856	" " " " "
		Bracket
232154	13817	Rapid Feed Tripping Pawl Lever
		Bracket Position Pin (2)
350110C	13856	Rapid Feed Tripping Pawl Lever
		Bracket Screw
14017	13856	Rapid Feed Tripping Pawl Lever
		Bracket Screw Washer
72C	13856	Rapid Feed Tripping Pawl Lever
		Hinge Screw
232083	13937	Rapid Feed Tripping Pawl Spring
1241E	13895	" " " " "
		Screw Eye
1242E	13937	Rapid Feed Tripping Pawl Spring
		Screw Stud
250195	13855	Rapid Feed Worm with 453C
25362	-----	" " " Ball
250196	13855	" " " " Bearing Cup
225007	13856	" " " " Retainer
		with eight 25362
232244	13811	Rapid Feed Worm Position Pin ..
453C	13851	" " " Set Screw
250197	13855	" " " Wheel
250198	13855	" " " " Collar with
		two 453C

No.	Plate	Name
453C	13851	Rapid Feed Worm Wheel Collar
		Set Screw
202244	-----	Rapid Feed Worm Wheel Oil Pack-
		ing (wick)
250199	13860	Starting Bell Crank
3C	13860	" " " Hinge Screw ..
250200	13860	" Latch
648D	13860	" " Hinge Screw
250201	13860	" Spring
203E	13860	" " " Screw
250202	13860	" Rod
250203	13860	" " Block with 203E
2273	13972	" " " Position Pin
203E	13860	" " " Set Screw
40013	13860	" " Collar with 209C (2) ...
209C	13825	" " " Set Screw
250204	13860	" Lock
946D	13860	" " " Hinge Screw
250205	13860	" " " Spring
213D	13860	" " " " Screw
250206	13860	" " " " Washer
250207	13857	" " Safety Lock
38D	13857	" " " " Hinge Screw
226467	13857	" " " " " "
		Washer
250423	13859	Starting Rod Spring
201160E	13860	" " " Screw Eye ...
250210	-----	Stitch Regulating Gear, 22 teeth ..
250211	-----	" " " 26 teeth ..
250212	13899	" " " 28 teeth ..
250598	---	" " " 30 teeth ..
250213	13899	" " " 33 teeth ..
		Note: No. 250213 is furnished with this
		Machine unless another Stitch Regulat-
		ing Gear is specified on order.
250214	13899	Stitch Regulating Gear, 34 teeth ..
250415	13899	" " " 38 teeth ..
250478	-----	" " " 42 teeth ..
201660C	13899	" " " Lock Nut.
252207	15402	" " Shaft
252177	15402	" " " Gear with 457C
232721	13899	" " " " Position
		Pin
457C	13811	Stitch Regulating Shaft Gear Set
		Screw
252178	15402	Stitch Rotating Lever (lower) with
		458C
201442E	13862	Stitch Rotating Lever (lower) Posi-
		tion Screw

No.	Plate	Name
201871	13862	Stitch Rotating Lever (lower) Roller
350066c	13862	Stitch Rotating Lever (lower) Roller Screw Stud
201666E	13862	Stitch Rotating Lever (lower) Roller Screw Stud Nut
458c	13853	Stitch Rotating Lever (lower) Set Screw
232591	13861	Stitch Rotating Lever (upper) with 448c
40025	13834	Stitch Rotating Lever (upper) Position Pin
448c	13862	Stitch Rotating Lever (upper) Set Screw
232807	13862	Stitch Rotating Lever Connection (front section) (lower)
232593	13862	Stitch Rotating Lever Connection (front section) (upper)
232808	13862	Stitch Rotating Lever Connection (rear section) (lower)
232592	13862	Stitch Rotating Lever Connection (rear section) (upper)
58F	13862	Stitch Rotating Lever Connection Hinge Screw (4)
172b	13862	Stitch Rotating Lever Connection Screw (lower)
193b	13862	Stitch Rotating Lever Connection Screw (upper)
39504	13862	Stitch Rotating Lever Connection Screw Washer (lower)
232717	13862	Stitch Rotating Lever Connection Screw Washer (upper)
232764	----	Stitch Rotating Lever Connection (lower) complete, Nos. 232807, 232808, two each 172b and 39504
250400	----	Stitch Rotating Lever Connection (upper) complete, Nos. 232592, 232593, 232717 and two 193b
250394	13861	Stitch Rotating Lever Rock Shaft
250216	13861	" " Sector (lower)
232597	13861	" " " " Bracket
690b	13862	" " " " " Screw
226163	13862	Stitch Rotating Sector (lower) Bracket Screw Washer
350087c	13862	Stitch Rotating Sector (lower) Hinge Screw
252204	15402	Stitch Rotating Sector (upper)
232599	13861	" " " " Bracket

No.	Plate	Name
201395b	13862	Stitch Rotating Sector (upper) Bracket Screw (2)
251026	13933	Stop Lever with 200352c
232262	13777	" " Bracket
350263E	15403	" " " Screw
250218	13777	" " Crank with 453c
40025	13834	" " " Position Pin
453c	13851	" " " Set Screw
232263	13864	" " Friction Pad (rawhide)
200110b	13811	" " " " Screw (2)
255523	15403	" " Interlocking Slide
201084c	13861	" " " " Adjusting Screw
201628F	13864	Stop Lever Interlocking Slide Adjusting Screw Nut
1178b	13864	Stop Lever Interlocking Slide Screw
232265	13864	Stop Lever Interlocking Slide Screw Washer
250416	13864	Stop Lever Interlocking Slide Spring
250219	13777	Stop Lever Link
250220	13777	" " " Connection
250221	13864	" " " " Locking Pin
250222	13864	Stop Lever Link Connection Locking Pin Spring
217b	13864	Stop Lever Link Connection Locking Pin Spring Screw (2)
350225b	13937	Stop Lever Link Connection Screw (back)
807b	13895	Stop Lever Link Connection Screw (front)
64c	13901	Stop Lever Link Hinge Screw
250223	13777	" " Operating Lever
11c	13853	" " " " Hinge Screw
250224	13864	Stop Lever Operating Plate
157c	13864	" " " " Screw
39541	13864	" " " " " Washer
40025	13834	Stop Lever Position Pin
200352c	13864	" " Set Screw
250225	13777	" " Shaft
252211	15402	" " Spring
201110b	13864	" " " Screw
250448	15403	Throat Plate, for flat purl
250447	13902	" " Adjusting Block
176b	13839	" " Screw
250560	13937	" " " Washer

No.	Plate	Name
250590	13777	Vertical Shaft with two each 204648 and 250589
255522	13935	Vertical Shaft Bevel Gear (lower) with two 453c
232719	13853	Vertical Shaft Bevel Gear (lower) Position Pin
250227	13777	Vertical Shaft Bevel Gear (upper) (order Position Screw or Set Screw as required)
40025	13834	Vertical Shaft Bevel Gear (upper) Position Pin
350223E	13972	Vertical Shaft Bevel Gear Position Screw
453c	13851	Vertical Shaft Bevel Gear Set Screw
250396	13777	" " Bushing (lower) ...
200100E	13811	" " " " Screw (2)
232710	13777	Vertical Shaft Bushing (upper) ..
575c	13811	" " " " Set Screw
253125	15404	Work Clamp Arm (left)
253126	15404	" " " (right)
252213	13974	" " " Bracket (left) ..
252300	---	" " " " 252213 with 250551, 250552, 252200, 253666 and three 2269
252214	13974	Work Clamp Arm Bracket (right)
252301	---	" " " " 252214 with 250266, 250528, 252201, 253666 and three 2269
201129D	13937	Work Clamp Arm Bracket Screw (back)
200161D	13942	Work Clamp Arm Bracket Screw (front) (2)
252183	15405	Work Clamp Arm Cam with 209F (2)
2269	13895	Work Clamp Arm Cam Position Pin (2)
209F	13825	Work Clamp Arm Cam Set Screw
250552	13937	" " " " Shaft (left)
250528	13937	" " " " " (right)
201237E	13937	" " " " Stop Screw
201537H	13937	" " " " " " Nut
252184	13937	Work Clamp Arm Hinge Block
350123D	13937	" " " " " Hinge Screw

No.	Plate	Name
200051E	13883	Work Clamp Arm Screw
13218	13937	" " " Spring
350136E	13937	" " " " Screw
253496	15404	" " Base (left) with 232304
252301	- -	" " " " 253496 with 93U, 194C, 217E, 602E, 792D, 991E, 1443E, 1550J, 7071, 10249, 13218, 200051E, 200097C, 201237E, 201537H, 228026, 232306, 232311, 232312, 250236, 250241, 250418, 250419, 251518, 251519, 252184, 252187, 252202, 252277, 252300, 253125, 255003, 255016, 350080D, 350136E, two each 207E, 201121D, 201129D, 350123E and eight 934U
250236	15404	Work Clamp Base (left) Guard
934U	15405	" " " " " Screw
253497	15404	" " " (right) with 232304
252305	- -	" " " " 253497 with 93U, 602E, 792D, 991E, 1443E, 1550J, 13218, 200051E, 201237E, 201537H, 232270 to 232272, 232306, 232311, 232312, 250238, 250242, 250275, 252184, 252188, 252202, 252278, 252301, 253126, 255003, 255016, 350136E, two each 200186B, 201121D, 201129D, 350123E, four 207E and eight 934U
250238	15404	Work Clamp Base (right) Guard
934U	15405	" " " " " Screw
252187	15408	Work Clamp Base Clamping Plate (left)
252188	15408	Work Clamp Base Clamping Plate (right)
934U	15405	Work Clamp Base Clamping Plate Screw
232304	15405	Work Clamp Base Hinge Stud
232678	15405	" " " Locking Spring (left)
232679	15405	Work Clamp Base Locking Spring (right)
792D	13936	Work Clamp Base Locking Spring Screw (2)
39541	13864	Work Clamp Base Locking Spring Screw Washer (2)

No.	Plate	Name
250439	13937	Work Clamp Base Retaining Stud
250241	15405	" " " Spring (left) ..
250242	15405	" " " " (right) ..
232306	15405	" " " " (front)
232311	15405	" " " " " "
		Catch
350215E	15405	Work Clamp Base Spring (front)
		Catch Stud (2)
93H	15405	Work Clamp Base Spring (front)
		Screw
1443F	13937	Work Clamp Base Spring Screw
201451E	15405	" " " " " "
		Stud (2)
232309	15405	Work Clamp Base Stop Block (2) ..
232310	15405	" " " " " Posi- tion Pin (2)
201148H	15405	Work Clamp Base Stop Block
		Screw (2)
253502	15404	Work Clamp Carrier Base Plate
		with 250439
232462	13826	Work Clamp Carrier Base Plate
		Slide Rod
201643E	13825	Work Clamp Carrier Base Plate
		Slide Rod Nut
200119D	13937	Work Clamp Carrier Base Plate
		Slide Rod Set Screw
250244	13826	Work Clamp Carrier Feed Lever
350185c	13937	" " " " " "
		Hinge Screw
252189	15405	Work Clamp Carrier Feed Lever
		Link
250246	13825	Work Clamp Carrier Feed Lever
		Link Block
50168E	13825	Work Clamp Carrier Feed Lever
		Link Block Screw (2)
350070c	13825	Work Clamp Carrier Feed Lever
		Link Hinge Screw (block end) ..
350216c	15405	Work Clamp Carrier Feed Lever
		Link Hinge Screw (lever end) ..
201960	---	Work Clamp Carrier Feed Lever
		Roller
201989	15405	Work Clamp Carrier Feed Lever
		Roller 201960 with 255075 and 350072E
350072E	13825	Work Clamp Carrier Feed Lever
		Roller Cap Screw
255075	13937	Work Clamp Carrier Feed Lever
		Roller Stud
255076	13937	Work Clamp Carrier Feed Lever
		Roller Stud Washer

No.	Plate	Name
250248	13974	Work Clamp Carrier Side Throw
		Lever with 201097c and 201530E ..
252190	15402	Work Clamp Carrier Side Throw
		Lever Bushing
250599	13937	Work Clamp Carrier Side Throw
		Lever Hinge Stud
250600	13937	Work Clamp Carrier Side Throw
		Lever Hinge Stud Collar with two 448c
448c	13862	Work Clamp Carrier Side Throw
		Lever Hinge Stud Collar Set Screw
435c	13885	Work Clamp Carrier Side Throw
		Lever Hinge Stud Set Screw ...
250250	13825	Work Clamp Carrier Side Throw
		Lever Lock Pin with 201940 and 350072E
201940	13825	Work Clamp Carrier Side Throw
		Lever Lock Pin Roller
350072E	13825	Work Clamp Carrier Side Throw
		Lever Lock Pin Roller Cap Screw
201430c	13825	Work Clamp Carrier Side Throw
		Lever Lock Pin Screw Stud
250251	15405	Work Clamp Carrier Side Throw
		Lever Lock Pin Spring
191c	13825	Work Clamp Carrier Side Throw
		Lever Lock Pin Spring Screw (2)
252208	15405	Work Clamp Carrier Side Throw
		Lever Lock Plate
252209	15405	Work Clamp Carrier Side Throw
		Lever Lock Plate Bracket
232287	13826	Work Clamp Carrier Side Throw
		Lever Lock Plate Bracket Posi- tion Pin (2)
203E	13860	Work Clamp Carrier Side Throw
		Lever Lock Plate Bracket Screw
232287	13826	Work Clamp Carrier Side Throw
		Lever Lock Plate Position Pin (2)
203F	13860	Work Clamp Carrier Side Throw
		Lever Lock Plate Screw (2)
232321	13826	Work Clamp Carrier Side Throw
		Lever Slide Block
250252	13826	Work Clamp Carrier Side Throw
		Lever Slide Block Guide
231c	13826	Work Clamp Carrier Side Throw
		Lever Slide Block Guide Screw (3)
201097c	13826	Work Clamp Carrier Side Throw
		Lever Slide Block Screw Stud ..

No.	Plate	Name
201530E	13826	Work Clamp Carrier Side Throw Lever Slide Block Screw Stud Nut
250253	15404	Work Clamp Carrier Slide (left) with 200119D
250254	15404	Work Clamp Carrier Slide (right) with 200119D
255082	13938	Work Clamp Carrier Slide Adjusting Bracket with 255061 and two 208D
	236D	13840 Work Clamp Carrier Slide Adjusting Bracket Screw (2)
	208D	13817 Work Clamp Carrier Slide Adjusting Screw
255061	13938	Work Clamp Carrier Slide Adjusting Screw Locking Plate
255509	13938	Work Clamp Carrier Slide Gib (left, back)
255510	13938	Work Clamp Carrier Slide Gib (left, front)
255511	13938	Work Clamp Carrier Slide Gib (right, back)
255512	13938	Work Clamp Carrier Slide Gib (right, front)
	1094E	13883 Work Clamp Carrier Slide Gib Screw
252205	15404	Work Clamp Carrier Slide Stay Plate
250597	13938	Work Clamp Carrier Slide Stay Plate Position Pin (2)
	231C	13826 Work Clamp Carrier Slide Stay Plate Screw (5)
252277	15406	Work Clamp Check (left) with 1296E
252278	15406	Work Clamp Check (right) with 1296E
	602D	15406 Work Clamp Check Screw
	1296E	15406 " " " Stop Screw ...
252194	13823	" " Closing Lever
250266	15407	" " " " (hand) with 209F
	2269	13895 Work Clamp Closing Lever (hand) Position Pin
	209F	13825 Work Clamp Closing Lever (hand) Set Screw
252196	13823	Work Clamp Closing Lever Adjusting Arm with 201531U, 201948 and 228026
	1178E	13864 Work Clamp Closing Lever Adjusting Arm Screw

No.	Plate	Name
14017	13856	Work Clamp Closing Lever Adjusting Arm Screw Washer
255021	13935	Work Clamp Closing Lever Cam Groove Protector
210750	15407	Work Clamp Closing Lever Cam Groove Protector Position Pin..
	172D	13862 Work Clamp Closing Lever Cam Groove Protector Screw
255022	13938	Work Clamp Closing Lever Cam Safety Latch
350198F	13938	Work Clamp Closing Lever Cam Safety Latch Hinge Screw
255023	13938	Work Clamp Closing Lever Cam Safety Latch Spring
250261	13891	Work Clamp Closing Lever Disengaging Block
	183C	13840 Work Clamp Closing Lever Disengaging Block Screw
250406	13891	Work Clamp Closing Lever Disengaging Block Shim (.005 in. thick)
250407	13891	Work Clamp Closing Lever Disengaging Block Shim (.010 in. thick)
255068	13938	Work Clamp Closing Lever Engaging Stud
250263	13823	Work Clamp Closing Lever Engaging Stud Latch
250264	13891	Work Clamp Closing Lever Engaging Stud Latch Spring
	1241E	13895 Work Clamp Closing Lever Engaging Stud Latch Spring Screw Eye
201956	13891	Work Clamp Closing Lever Engaging Stud Roller
255069	13938	Work Clamp Closing Lever Engaging Stud Roller Cap
350133E	13891	Work Clamp Closing Lever Engaging Stud Screw
250265	13891	Work Clamp Closing Lever Engaging Stud Spring
255070	—	Work Clamp Closing Lever Engaging Stud complete, Nos. 201956, 255068, 255069 and 350133E
201438C	13891	Work Clamp Closing Lever Hinge Screw
201947	13891	Work Clamp Closing Lever Roller
201948	13891	" " " " " " 201947 with 350156E
350156E	13891	Work Clamp Closing Lever Roller Screw Stud
201531U	13972	Work Clamp Closing Lever Roller Screw Stud Nut

No.	Plate	Name
228026	13859	Work Clamp Closing Lever Roller Screw Stud Washer
250267	13891	Work Clamp Closing Lever Spring
1241E	13895	" " " " "
		Screw Eye (2)
991c	13891	Work Clamp Closing Lever Stop Screw
252199	15402	Work Clamp Closing Safety Bracket with two 453c
453c	13851	Work Clamp Closing Safety Bracket Set Screw
252200	15407	Work Clamp Connection Lever (left) with 209F
252201	15407	Work Clamp Connection Lever (right) with 209F
2269	13895	Work Clamp Connection Lever Position Pin
209F	13825	Work Clamp Connection Lever Set Screw
250270	15402	Work Clamp Opening Bell Crank with 1819
659D	13895	Work Clamp Opening Bell Crank Hinge Screw
1819	13895	Work Clamp Opening Bell Crank Roller and Stud
232200	13895	Work Clamp Opening Bell Crank Spring
1241E	13895	Work Clamp Opening Bell Crank Spring Screw Eye
253680	15407	Work Clamp Opening Cam with 462c
12509	15407	Work Clamp Opening Cam Position Pin
462c	13847	Work Clamp Opening Cam Set Screw
250551	13895	Work Clamp Opening Lever with 1253c
251519	13939	Work Clamp Opening Lever Latch
253679	15407	" " " " "
		Releasing Bracket with 200E, 1547J and 350218c
200E	13816	Work Clamp Opening Lever Latch Releasing Bracket Set Screw ..
350218c	15407	Work Clamp Opening Lever Latch Releasing Screw
1547J	15407	Work Clamp Opening Lever Latch Releasing Screw Check Nut
10249	13939	Work Clamp Opening Lever Latch Spring

No.	Plate	Name
217E	13864	Work Clamp Opening Lever Latch Spring Screw
7071	13856	Work Clamp Opening Lever Latch Spring Screw Washer
194c	13856	Work Clamp Opening Lever Latch Stop Screw
2269	13895	Work Clamp Opening Lever Position Pin
1253c	13895	Work Clamp Opening Lever Set Screw
255077	13939	Work Clamp Opening Rod
255078	13939	" " " " Connection
255079		Work Clamp Opening Rod complete, Nos. 203c, 1662J, 250287, 255077 and 255078
807D	13895	Work Clamp Opening Rod Connection Hinge Screw
250274	13895	Work Clamp Opening Rod Guide with 808E
808E	13895	Work Clamp Opening Rod Guide Pinch Screw
1662J	13939	Work Clamp Opening Rod Nut ...
252206	15407	" " " " Stop (adjustable) (2)
207F	13895	Work Clamp Opening Stop Screw
250276	15407	" " Spreader (left)
350140D	15407	" " " " Screw
250277	15407	" " " (right)
201463D	15407	" " " " Screw ...
991E	13891	" " " Adjusting Screw
252202	13953	" " " " " Bracket
207F	13895	Work Clamp Spreader Adjusting Screw Bracket Screw
1550J	15401	Work Clamp Spreader Adjusting Screw Nut
250279	15404	Work Clamp Spreader Base Plate
50058D	15407	" " " " " Screw (2)
253503	15401	Work Clamp Spreader Cam
253504	15407	" " " " Crank with 906c
2269	13895	Work Clamp Spreader Cam Crank Position Pin
906c	13862	Work Clamp Spreader Cam Crank Set Screw
253505	13953	Work Clamp Spreader Connection
201453c	13953	" " " " Hinge Screw

No.	Plate	Name
250281	13953	Work Clamp Spreader Connection Link (left)
253507	13953	Work Clamp Spreader Connection Link (right)
201452E	15407	Work Clamp Spreader Connection Link Hinge Screw (2)
253506	13953	Work Clamp Spreader Connection Bracket with 201981
1981	13953	Work Clamp Spreader Connection Bracket Roller
201981	13953	Work Clamp Spreader Connection Bracket Roller 1981 with 253524
253524	15407	Work Clamp Spreader Connection Bracket Roller Stud
208E	13817	Work Clamp Spreader Connection Bracket Screw (2)
253508	13953	Work Clamp Spreader Lever (front)
940F	13953	" " " " " "
		Hinge Screw
194C	13856	Work Clamp Spreader Lever (front) Screw Stud
253509	13953	Work Clamp Spreader Operating Fork Lever
253510	15402	Work Clamp Spreader Operating Fork Lever Connection
106C	13953	Work Clamp Spreader Operating Fork Lever Connection Hinge Screw (front)
99C	13953	Work Clamp Spreader Operating Fork Lever Connection Hinge Screw (rear)
350138E	13939	Work Clamp Spreader Operating Fork Lever Hinge Screw
255081	13939	Work Clamp Spreader Operating Fork Lever Stop Plate
203E	13860	Work Clamp Spreader Operating Fork Lever Stop Plate Screw ..
7071	13856	Work Clamp Spreader Operating Fork Lever Stop Plate Screw Washer
250285	15407	Work Clamp Spreader Operating Pawl
252512	13953	Work Clamp Spreader Operating Pawl Adjusting Block
176D	13839	Work Clamp Spreader Operating Pawl Adjusting Block Screw ..
7071	13856	Work Clamp Spreader Operating Pawl Adjusting Block Screw Washer

No.	Plate	Name
132E	15407	Work Clamp Spreader Operating Pawl Adjusting Screw
201669E	15407	Work Clamp Spreader Operating Pawl Adjusting Screw Nut
741C	13847	Work Clamp Spreader Operating Pawl Hinge Screw
250286	15407	Work Clamp Spreader Operating Pawl Spring
201314C	15407	Work Clamp Spreader Operating Pawl Stop Screw
252513	---	Work Clamp Spreader Operating Pawl complete, Nos. 176D, 7071, 250285 and 252512
232312	13953	Work Clamp Spreader Plate (2) ...
201121D	13953	" " " " Screw (4)
250287	13939	Work Clamp Spreader Releaser
203C	13860	" " " " " " Screw
201314C	15407	Work Clamp Spreader Screw Stud (2)
253525	13953	Work Clamp Spreader Stop Plate
237E	13817	" " " " " " Screw
255003	13939	Work Clamp Spring
255016	13939	" " " " Wear Plate
792D	13936	" " " " " " Screw

ACCESSORIES

FOR MACHINE No. 99w76

No.	Plate	Name
255314	---	Buttonhole Cutting Block (steel), 1 in. eye or taper bar
250664	---	Buttonhole Cutting Knife (.126 x .180 eye)
232486	13865	Threader Wire (large)
250412	13865	" " (small)
255513	15410	Tweezers
142 x 5	---	Needles, six, size 17
250004	13865	Bed Cushion (leather) (back)
250006	13865	" " " (front)
250007	13865	" " (rawhide) (inside)
250008	13865	" " " (outside)
158E	13859	" " Screw
250018	13865	" Support (left) with 250004, 250006, 250008, two 250007 and six 158E
250019	13865	Bed Support (right) with 250004, 250006, 250008, two 250007 and six 158E
250288	---	Drip Pan
250408	13865	Machine Rest (high) with 232982 and two wood screws 1 in., No. 13
232982	---	Machine Rest Cushion (leather) ..
120346	13865	Oiler (copper plated) with 120347
120347	13865	" Spout (9 in. long)
11831	13866	Screw Driver, 5 in. blade (machine, large)
*225484	---	Screw Driver Blade
*250521	---	" " "
*225483	---	" " Handle
*225485	---	" " "
225498	15410	Screw Driver complete (7½ in. long), Nos. 225484 and 225485 ..
250522	13866	Screw Driver complete (for needle set screw), Nos. 225483 and 250521
255093	13941	Work Position Gauge (left)
255094	13941	" " " (right)
1443E	13937	" " " Screw (2) ..
203149	13941	" " " " Washer (2)

No.	Plate	Name
250289	13866	Wrench, for 350111
250402	13865	" " 201442 and 201445 ..
232935	13866	" " 201658, 201659 and 201670
8909	13866	Wrench, for 201628 and 201660
10875	13866	" " 201524
23535	13866	" " 1697 and 1698
25200	13866	" " 1528 and 201643
42850	13866	" " 1550
232900	13866	" " 201362 and 201668 ...
250211	---	Stitch Regulating Gear, 26 teeth..
250543	15410	" " " Holder ... Wood Screws 1½ in., No. 12 (4) ..

THREAD UNWINDER

232417	13940	Spool Pin
225375	13940	" " (wood)
232895	13940	" " Arm with 759E
232896	13940	" " " Bracket with two 448c
448c	13862	Spool Pin Arm Bracket Set Screw
448c	13862	" " " Set Screw
250424	13940	" " Cap
200159E	13941	" " " Screw
759E	13941	" " Thumb Set Screw
225389	13944	" Rest (for one spool) with 201018c
225395	13944	Spool Rest (for two spools) with 201018c
232987	13944	Spool Rest Cushion (felt)
250453	13944	" " Rod (lower)
225388	13944	" " " (upper)
250454	13940	" " " Coupling with two 456c
456c	13941	Spool Rest Rod Coupling Set Screw
200383c	15409	" " " Set Screw
201018c	13941	" " Set Screw
202490	13944	" Stand with 200383c
225390	13940	Thread Cone Holder
250472	13940	" Cop Holder
225391	13940	" Guide
201696J	13941	" " Lock Nut
350192J	13941	" " Screw Stud
225393	13941	" " " Washer ..
200164B	13941	" " Stud Set Screw

No.	Plate	Name
225376	---	Thread Unwinder complete, Nos. 200164b, 201696j, 202490, 225388, 225389, 225393, 225395, 250453, 250454, 250472, 350192j, three each 200159e, 225375, 225390, 232417, 232895, 232896, 232987, 250424, four 225391 and three wood screws $\frac{7}{8}$ in., No. 12

DRIVING EQUIPMENT

228628	----	Belt (gilt edge), size $\frac{5}{8}$ in. diam., length 83 in., with two 25029 ...
228629	----	Belt (gilt edge), size $\frac{3}{4}$ in. diam., length 57 in., with 25030
228630	----	Belt (gilt edge), size $\frac{3}{4}$ in. diam., length 120 in., with two 25030 ..
228631	----	Belt (gilt edge), size $\frac{3}{4}$ in. diam., length 133 in., with two 25030 ..
228608	----	Belt Guard, for Bridgeport Old Style Power Table (trough), with two wood screws $\frac{3}{4}$ in., No. 10 ..
228610	----	Belt Guard, for E'port Old Style Power Table (trough), with two wood screws $\frac{3}{4}$ in., No. 10
25029	15409	Belt Hook
25030	13941	" "
228565	13870	" Shifter
228566	13870	" " Lever with 200526c ...
228567	13871	" " " Hinge Stud
200335c	13871	" " " " " Set Screw
228632	13933	Belt Shifter Locking Spring
200526c	13871	" " Set Screw
228618	13926	Buttonhole Cutter Driving Pulley, $4\frac{1}{2}$ in. diam., with 200342c and 200347c
228619	13926	Buttonhole Cutter Driving Pulley Driving Pinion, 16 teeth, with 454c
2117	13871	Buttonhole Cutter Driving Pulley Driving Pinion Pin
454c	13941	Buttonhole Cutter Driving Pulley Driving Pinion Set Screw
200342c	13871	Buttonhole Cutter Driving Pulley Position Screw

No.	Plate	Name
200347c	13871	Buttonhole Cutter Driving Pulley Set Screw
228579	13869	Buttonhole Cutter Driving Pulley Shaft
228580	13869	Buttonhole Cutter Driving Pulley Shaft Bushing with 224392
224392	----	Buttonhole Cutter Driving Pulley Shaft Bushing Oil Packing (wick)
350028c	13871	Buttonhole Cutter Driving Pulley Shaft Bushing Set Screw
228620	13926	Buttonhole Cutter Driving Pulley Shaft Gear, 48 teeth, with 448c
2117	13871	Buttonhole Cutter Driving Pulley Shaft Gear Pin
448c	13862	Buttonhole Cutter Driving Pulley Shaft Gear Set Screw
228593	13869	Counter Shaft (hollow) with 200370c and 228595
210833	13871	Counter Shaft Collar with two 200383c
200383c	15409	Counter Shaft Collar Set Screw ..
228590	13870	" " Driving Pulley (loose), 5 in. diameter
228591	13870	Counter Shaft Driving Pulley (tight), 5 in. diam., with 200352c and 200363c
200352c	13864	Counter Shaft Driving Pulley Position Screw
200363c	13834	Counter Shaft Driving Pulley Set Screw
228601	13870	Counter Shaft Hanger with 200335c and 202244
228588	13870	Counter Shaft Hanger Belt Guard (double)
228597	13870	Counter Shaft Hanger Belt Guard (single)
200002e	13871	Counter Shaft Hanger Belt Guard Screw
202244	----	Counter Shaft Hanger Oil Packing (wick)
50294e	13871	Counter Shaft Hanger Screw
51046e	15409	" " " "
41125	13871	" " " " Washer
228602	13871	" " Oil Cup
228594	----	" " " Packing Wick
228595	13869	" " " " " " Wire with 228594
200370c	13871	Counter Shaft Oil Stop Screw
228592	13870	Counter Shaft Pulley, $5\frac{1}{2}$ in. diam., with 200352c and 200363c

No.	Plate	Name
200352c	13864	Counter Shaft Pulley Position Screw
200363c	13834	Counter Shaft Pulley Set Screw ..
228596	-----	Counter Shaft Hanger complete, for Old Style Power Table, Nos. 50294e, 200002e, 210833, 228565 to 228567, 228588, 228590 to 228593, 228601, 228602, 228632, two 51046e and three 41125
228598	-----	Counter Shaft Hanger complete, for Singer Safety Power Table, Nos. 50294e, 200002e, 210833, 228565 to 228567, 228590 to 228593, 228597, 228601, 228602, 228632, two 51046e and three 41125
228573	13870	Driving Attachment Belt Guard with 228607
228607	13926	Driving Attachment Belt Guard Drain Valve
50075a	13871	Driving Attachment Belt Guard Thumb Screw
228574	13870	Driving Attachment Bracket with 11119, 228575 and four 350028c ..
228575	13871	Driving Attachment Bracket Oil Cup
11119	13871	Driving Attachment Bracket Oil Tube with 52045
52045	-----	Driving Attachment Bracket Oil Tube Packing (cotton)
51046e	15409	Driving Attachment Bracket Screw
41125	13871	" " " " Washer
228624	13926	Driving Pulley, 6 in. diam., with 200374c and 200396c
200396c	13941	Driving Pulley Position Screw
200374c	13816	" " Set Screw
228625	13926	" " Shaft
228571	13869	" " Bushing with 202260
350028c	13871	Driving Pulley Shaft Bushing Set Screw
228626	13926	Driving Pulley Shaft Collar with two 200378c
200378c	15409	Driving Pulley Shaft Collar Set Screw
202260	-----	Driving Pulley Shaft Bushing Oil Packing (wick)

No.	Plate	Name
228627	-----	Driving Attachment complete, Nos. 50075a, 228573, 228574, 228579, 228580, 228618 to 228626, two each 2117, 228571, three each 41125, 51046e, 200050c and 214179 to 214181
228578	-----	Driving Attachment and Idler complete, Nos. 228587 and 228627 ..
234342	-----	Front Plank Extension (back) with two wood screws 1½ in., No. 10 (for flat table)
234343	-----	Front Plank Extension (back) with three wood screws 1½ in., No. 10 and six 1½ in. wire nails, for Singer Safety Power Table (trough)
234349	-----	Front Plank Extension (back) with four wood screws 1½ in., No. 10, for Singer Universal Safety Power Table (flat)
234350	-----	Front Plank Extension (back) with six wood screws 1½ in., No. 10, for Singer Universal Safety Power Table (trough)
234344	-----	Front Plank Extension (front) with two wood screws 2¼ in., No. 12 and three wood screws 1¾ in., No. 12
228581	13870	Idler Pulley
228643	13870	" " Belt Guard with 200526c
200526c	13871	" " " " Set Screw ..
228644	13870	" " Bracket with 200526c ..
200019a	13871	" " " Screw
228584	13869	" " Shaft with 228586
228602	13871	" " " Oil Cup
228585	-----	" " " Wick
228586	13869	" " " " Wire with 228585
200526c	13871	Idler Pulley Shaft Set Screw
228587	-----	Idler complete, Nos. 228584, 228602, 228644, two each 228581, 228643 and three 200019e
228621	13926	Machine Driving Pulley (loose), 3½ in. diameter
228622	13926	Machine Driving Pulley Clutch
214179	13941	" " " " Roller
214181	13941	" " " " " Spring
214180	13941	Machine Driving Pulley Clutch Roller Spring Plunger

No.	Plate	Name
200050c	13941	Machine Driving Pulley Clutch Screw
228623	13926	Machine Driving Pulley Collar with two 200364c
200364c	13972	Machine Driving Pulley Collar Set Screw
228604	—	Motor Base with four each 41125 and 50294E
50294E	13871	Motor Base Screw
41125	13871	" " " Washer
27068	—	Shaft Pulley (sectional, grooved), 8 in. diam., 1 $\frac{3}{8}$ in. bore, with two 597c
41228	—	Shaft Pulley (sectional, grooved), 5 $\frac{1}{2}$ in. diam., 1 $\frac{1}{2}$ in. bore, with two 50399E
597c	15409	Shaft Pulley Clamping Screw
50399E	15409	" " Screw
126865	15413	Table Belt Guide Bracket with 795c
50285R	15413	" " " " Bolt
126841	15413	" " " " " Clamping Plate
126846	15413	Table Belt Guide Bracket Bolt Washer
126750	15413	Table Belt Guide Pulley with 126752
126868	15413	" " " " Shaft
126752	15413	" " " " " Bushing
126869	15413	Table Belt Guide Pulley Shaft Collar with 1448c
1448c	15409	Table Belt Guide Pulley Shaft Collar Set Screw
795c	15413	Table Belt Guide Pulley Shaft Set Screw
126866	15413	Table Belt Guide Pulley Shaft Support Bracket with three wood screws $\frac{3}{4}$ in., No. 9, R.H.O. and A.
126870	—	Table Belt Guide complete, Nos. 50285R, 126841, 126846, 126865, 126866, 126868, two each 126750 and 126869
126715	—	Transmitter Pulley (sectional, grooved), sheet metal, 5 $\frac{1}{2}$ in. diameter
228599	—	Driving Equipment complete, for Old Style Power Table (flat) and Singer Universal Power Table (flat), Nos. 27068, 228578, 228596, 228628, 228631, 234342, 234344 and blue print template

No.	Plate	Name
228600	—	Driving Equipment complete, for Singer Safety Power Table (flat), Nos. 41228, 228578, 228598, 228628, 228630, 234342, 234344 and blue print template
228605	—	Driving Equipment complete, for Individual Motor Table, Nos. 228627 to 228629
228606	—	Driving Equipment complete, for Singer Safety Power Table (trough), Nos. 41228, 228578, 228598, 228628, 228630, 234343, 234344 and blue print template..
228609	—	Driving Equipment complete, for Bridgeport Old Style Power Table (trough) and Singer Universal Power Table (trough), Nos. 27068, 228578, 228596, 228608, 228628, 228631, 234344 and blue print template
228611	—	Driving Equipment complete, for E'port Old Style Power Table (trough), Nos. 27068, 228578, 228596, 228610, 228628, 228631, 234344 and blue print template..
228612	—	Driving Equipment complete, for use in connection with Electric Transmitter Motor on Power Table (flat), Nos. 228627 to 228629, 234342, 234344 and blue print template
228613	—	Driving Equipment complete, for use in connection with Electric Transmitter Motor on Power Table (E'port trough), Nos. 228610, 228627 to 228629, 234344 and blue print template
228645	—	Driving Equipment complete, for Singer Universal Safety Power Table (flat), Nos. 126715, 126870, 228627, 228628, 228630, 234349 and blue print template
228646	—	Driving Equipment complete, for Singer Universal Safety Power Table (trough), Nos. 126715, 126870, 228627, 228628, 228630, 234350 and blue print template..

FOR MACHINE No. 99w77

Same as Machine No. 99w76 with the following exceptions:

No.	Plate	Name
250765	—	Buttonhole Cutting Block (steel), ¾ in. (eye or taper bar), in place of 255314
250736	—	Buttonhole Cutting Knife (.126 x .180), in place of 250664
250212	13899	Stitch Regulating Gear, 28 teeth, in place of 240211

FOR MACHINE No. 99w79

Same as Machine No. 99w76 with the following exceptions:

255318	15411	Buttonhole Cutting Block (steel), ¾ in. (eye or taper bar), in place of 255134
252502	15412	Buttonhole Cutting Knife (.126 x .180 eye), in place of 250664
142 x 1	—	Needles, six, size 17, in place of 142x5
250478	—	Stitch Regulating Gear, 42 teeth, in place of 250211

FOR MACHINE No. 99w80

Same as Machine No. 99w76 with the following exceptions:

255318	15411	Buttonhole Cutting Block (steel), ¾ in. (eye or taper bar), in place of 255314
252502	15412	Buttonhole Cutting Knife (.126 x .180 eye), in place of 250664
142 x 1	—	Needles, six, size 17, in place of 142x5
250214	13899	Stitch Regulating Gear, 34 teeth, in place of 250211

FOR MACHINE No. 99w95

Same as Machine No. 99w76 with the following exceptions:

No.	Plate	Name
252058	15411	Buttonhole Cutting Block (steel), 2 in. (straight), in place of 255314
252061	15412	Buttonhole Cutting Knife (straight), in place of 250664
250214	13899	Stitch Regulating Gear, 34 teeth, in place of 250211

BUTTONHOLE CUTTING KNIVES

FOR MACHINE No. 99w76

250662	15412	Buttonhole Cutting Knife (straight)
250663	15412	" " " (.100 x .180 eye)
250664	—	Buttonhole Cutting Knife (.126 x .180 eye)

FOR MACHINE No. 99w77

250735	15412	Buttonhole Cutting Knife (straight)
250750	15412	" " " (.100 x .180 eye)
250736	—	Buttonhole Cutting Knife (.126 x .180 eye)

FOR MACHINES NOS. 99w79 and 99w80

252534	—	Buttonhole Cutting Knife (.100 x .180 eye)
252502	15412	Buttonhole Cutting Knife (.126 x .180 eye)

FOR MACHINE No. 99w95

252061	15412	Buttonhole Cutting Knife (straight)
252062	15412	" " " (.100 x .180 eye)

BUTTONHOLE CUTTING BLOCKS

FOR MACHINE No. 99w76

No.	Plate	Name
255317	----	Buttonhole Cutting Block (steel), 5/8 in. (eye or taper bar)
255318	15411	Buttonhole Cutting Block (steel), 3/4 in. (eye or taper bar)
255319	----	Buttonhole Cutting Block (steel), 7/8 in. (eye or taper bar)
255314	----	Buttonhole Cutting Block (steel), 1 in. (eye or taper bar)
255316	----	Buttonhole Cutting Block (steel), 1 1/8 in. (eye or taper bar)
255324	----	Buttonhole Cutting Block (steel), 5/8 in. (straight)
255325	----	Buttonhole Cutting Block (steel), 3/4 in. (straight)
255326	----	Buttonhole Cutting Block (steel), 7/8 in. (straight)
255327	15411	Buttonhole Cutting Block (steel), 1 in. (straight)

FOR MACHINE No. 99w77

250766	15411	Buttonhole Cutting Block (steel), 5/8 in. (eye or taper bar)
250764	----	Buttonhole Cutting Block (steel), 3/4 in. (eye or taper bar)
250765	----	Buttonhole Cutting Block (steel), 7/8 in. (eye or taper bar)
250771	15411	Buttonhole Cutting Block (steel), 5/8 in. (straight)
250772	----	Buttonhole Cutting Block (steel), 3/4 in. (straight)
250773	----	Buttonhole Cutting Block (steel), 7/8 in. (straight)

FOR MACHINES NOS. 99w79 and 99w80

No.	Plate	Name
255317	----	Buttonhole Cutting Block (steel), 5/8 in. (eye or taper bar)
255318	15411	Buttonhole Cutting Block (steel), 3/4 in. (eye or taper bar)
255319	----	Buttonhole Cutting Block (steel), 7/8 in. (eye or taper bar)

FOR MACHINE No. 99w95

252003	----	Buttonhole Cutting Block (steel), 3/4 in. (eye or taper bar)
252004	----	Buttonhole Cutting Block (steel), 7/8 in. (eye or taper bar)
252006	----	Buttonhole Cutting Block (steel), 1 in. (eye or taper bar)
252008	----	Buttonhole Cutting Block (steel), 1 1/8 in. (eye or taper bar)
252010	----	Buttonhole Cutting Block (steel), 1 1/4 in. (eye or taper bar)
252012	----	Buttonhole Cutting Block (steel), 1 3/4 in. (eye or taper bar)
252014	----	Buttonhole Cutting Block (steel), 1 1/2 in. (eye or taper bar)
252018	----	Buttonhole Cutting Block (steel), 1 3/4 in. (eye or taper bar)
252020	15411	Buttonhole Cutting Block (steel), 2 in. (eye or taper bar)
252042	----	Buttonhole Cutting Block (steel), 3/4 in. (straight)
252044	----	Buttonhole Cutting Block (steel), 7/8 in. (straight)
252046	----	Buttonhole Cutting Block (steel), 1 in. (straight)
252048	----	Buttonhole Cutting Block (steel), 1 1/8 in. (straight)
252050	----	Buttonhole Cutting Block (steel), 1 1/4 in. (straight)
252052	----	Buttonhole Cutting Block (steel), 1 3/4 in. (straight)
252053	----	Buttonhole Cutting Block (steel), 1 1/2 in. (straight)
252056	----	Buttonhole Cutting Block (steel), 1 3/4 in. (straight)
252058	15411	Buttonhole Cutting Block (steel), 2 in. (straight)

PATTERN WHEELS

FOR MACHINE No. 99w76

For Making EYELET END Buttonholes with
LARGE and MEDIUM EYE

No.	Plate	Name
250672	---	Pattern Wheel, $\frac{5}{8}$ in., complete, Nos. 250671, 255025, two each 203E, 250372 and three 391D
250674	-----	Pattern Wheel, $\frac{3}{4}$ in., complete, Nos. 250673, 255309, two each 203E, 250372 and three 391D
250676	----	Pattern Wheel, $\frac{7}{8}$ in., complete, Nos. 250675, 255308, two each 203E, 250372 and three 391D
250678	-----	Pattern Wheel, 1 in. complete, Nos. 250677, 255310, two each 203E, 250372 and three 391D
250680	---	Pattern Wheel, $1\frac{1}{4}$ in., complete, Nos. 250679, 255311, two each 203E, 250372 and three 391D

For Making STRAIGHT Buttonholes

250624	---	Pattern Wheel, $\frac{5}{8}$ in., complete, Nos. 250623, 255025, two each 203E, 250372 and three 391D
250626	----	Pattern Wheel, $\frac{3}{4}$ in., complete, Nos. 250625, 255309, two each 203E, 250372 and three 391D
250638	---	Pattern Wheel, $\frac{7}{8}$ in., complete, Nos. 250637, 255308, two each 203E, 250372 and three 391D
250634	---	Pattern Wheel, 1 in., complete, Nos. 250633, 255310, two each 203E, 250372 and three 391D

For Making EYELET END Buttonholes with
MEDIUM EYE and TAPER BAR

No.	Plate	Name
250690	---	Pattern Wheel, $\frac{5}{8}$ in., complete, bar adjustable from $\frac{1}{4}$ to $\frac{3}{8}$ in., Nos. 250689, 255307, two each 203E, 250372 and three 391D
250696	---	Pattern Wheel, $\frac{3}{4}$ in., complete, bar adjustable from $\frac{1}{4}$ to $\frac{3}{8}$ in., Nos. 250695, 251428, two each 203E, 250372 and three 391D
250698	-----	Pattern Wheel, $\frac{7}{8}$ in., complete, bar adjustable from $\frac{1}{4}$ to $\frac{1}{2}$ in., Nos. 250697, 251428, two each 203E, 250372 and three 391D

For Making EYELET END Buttonholes with
LARGE EYE and TAPER BAR

255302	-----	Pattern Wheel, $\frac{5}{8}$ in., complete, bar adjustable from $\frac{1}{4}$ to $\frac{3}{8}$ in., Nos. 250732, 255301, 255307, two each 175E, 203E, 250372 and three 391D
255304	----	Pattern Wheel, $\frac{3}{4}$ in., complete, bar adjustable from $\frac{1}{4}$ to $\frac{3}{8}$ in., Nos. 250732, 251428, 255303, two each 175E, 203E, 250372 and three 391D
255306	-----	Pattern Wheel, $\frac{7}{8}$ in., complete, bar adjustable from $\frac{1}{4}$ to $\frac{1}{2}$ in., Nos. 250732, 251428, 255305, two each 175E, 203E, 250372 and three 391D
250671	---	Pattern Wheel, for $\frac{5}{8}$ in. Eye Buttonhole (large and medium eye), for 250672
250673	---	Pattern Wheel, for $\frac{3}{4}$ in. Eye Buttonhole (large and medium eye), for 250674
250675	---	Pattern Wheel, for $\frac{7}{8}$ in. Eye Buttonhole (large and medium eye), for 250676
250677	---	Pattern Wheel, for 1 in. Eye Buttonhole (large and medium eye), for 250678
250679	---	Pattern Wheel, for $1\frac{1}{4}$ in. Eye Buttonhole (large and medium eye), for 250680

No.	Plate	Name
250623	—	Pattern Wheel, for $\frac{5}{8}$ in. Eye and Straight Buttonhole (large eye), for 250624
250625	—	Pattern Wheel, for $\frac{3}{4}$ in. Eye and Straight Buttonhole (large eye), for 250626
250637	—	Pattern Wheel, for $\frac{3}{4}$ in. Eye and Straight Buttonhole (large eye), for 250638
250633	—	Pattern Wheel, for 1 in. Eye and Straight Buttonhole (large eye), for 250634
250689	—	Pattern Wheel, for $\frac{3}{4}$ in. Taper Bar (medium eye) Buttonhole, bar adjustable from $\frac{1}{4}$ to $\frac{3}{4}$ in., for 250690
250695	—	Pattern Wheel, for $\frac{3}{4}$ in. Taper Bar (medium eye) Buttonhole, bar adjustable from $\frac{1}{4}$ to $\frac{3}{4}$ in., for 250696
250697	—	Pattern Wheel, for $\frac{3}{4}$ in. Taper Bar (medium eye) Buttonhole, bar adjustable from $\frac{1}{4}$ to $\frac{1}{2}$ in., for 250698
255301	—	Pattern Wheel, for $\frac{5}{8}$ in. Taper Bar (large eye) Buttonhole, bar adjustable from $\frac{1}{4}$ to $\frac{3}{4}$ in., for 255302
255303	—	Pattern Wheel, for $\frac{3}{4}$ in. Taper Bar (large eye) Buttonhole, bar adjustable from $\frac{1}{4}$ to $\frac{3}{4}$ in., for 255304
255305	—	Pattern Wheel, for $\frac{3}{4}$ in. Taper Bar (large eye) Buttonhole, bar adjustable from $\frac{1}{4}$ to $\frac{1}{2}$ in., for 255306
250732	15402	Pattern Wheel Cam Block
175E	13936	" " " " Screw ..
250372	13904	" " Rapid Feed Trip Point
203E	13860	" " " " " "
		Screw
250378	—	Pattern Wheel Ring, for 255025 ..
255025	—	" " " 250378 with 211E, 250443 and 250444, for 250624 and 250672
250644	—	Pattern Wheel Ring, for 255309 ..
255309	—	" " " 250644 with 211E, 250443 and 250444, for 250626 and 250674
250641	—	Pattern Wheel Ring, for 255308 ..
255308	—	" " " 250641 with 211E, 250443 and 250444, for 250638 and 250676

No.	Plate	Name
250646	—	Pattern Wheel Ring, for 255310 ..
255310	—	" " " 250646 with 211E, 250443 and 250444, for 250634 and 250678
250647	—	Pattern Wheel Ring, for 255311 ..
255311	—	" " " 250647 with 211E, 250443 and 250444, for 250680
250617	—	Pattern Wheel Ring, for 255307 ..
255307	—	" " " 250617 with 252662, 252663, two each 211E and 250444, for 250690 and 255302 ..
251496	13974	Pattern Wheel Ring (adjustable), for 251428
251428	—	Pattern Wheel Ring 251496 with 252662, 252663, two each 211E and 250444, for 250696, 250698, 255304 and 255306
250443	13904	Pattern Wheel Ring Adjusting Segment
252662	15401	Pattern Wheel Ring Adjusting Segment (curve rise)
252663	15401	Pattern Wheel Ring Adjusting Segment (straight drop)
211E	13904	Pattern Wheel Ring Adjusting Segment Screw
250444	13904	Pattern Wheel Ring Adjusting Segment Screw Washer
391D	13904	Pattern Wheel Ring Screw

FOR MACHINE No. 99w77

For Making EYELET END Buttonholes with
LARGE and MEDIUM EYE

250743	—	Pattern Wheel, $\frac{5}{8}$ in., complete, Nos. 250742, 250759, two each 203E, 250372 and three 391D
250745	—	Pattern Wheel, $\frac{3}{4}$ in., complete, Nos. 250744, 250760, two each 203E, 250372 and three 391D
250747	—	Pattern Wheel, $\frac{3}{4}$ in., complete, Nos. 250746, 250761, two each 203E, 250372 and three 391D

For Making STRAIGHT Buttonholes

No.	Plate	Name
250727	—	Pattern Wheel, $\frac{5}{8}$ in., complete, Nos. 250726, 250759, two each 203E, 250372 and three 391D
250723	—	Pattern Wheel, $\frac{3}{4}$ in., complete, Nos. 250722, 250760, two each 203E, 250372 and three 391D
250725	—	Pattern Wheel, $\frac{7}{8}$ in., complete, Nos. 250724, 250761, two each 203E, 250372 and three 391D

For Making EYELET END Buttonholes with
MEDIUM EYE and TAPER BAR

250754	—	Pattern Wheel, $\frac{5}{8}$ in., complete, bar adjustable from $\frac{1}{4}$ to $\frac{3}{4}$ in., Nos. 250753, 252661, two each 203E, 250372 and three 391D
--------	---	---

For Making EYELET END Buttonholes with
LARGE EYE and TAPER BAR

250752	—	Pattern Wheel, $\frac{5}{8}$ in., complete, bar adjustable from $\frac{1}{4}$ to $\frac{3}{4}$ in., Nos. 250732, 250751, 252661, two each 175E, 203E, 250372 and three 391D
250742	—	Pattern Wheel, for $\frac{5}{8}$ in. Eye Buttonhole (large and medium eye), for 250743
250744	—	Pattern Wheel, for $\frac{3}{4}$ in. Eye Buttonhole (large and medium eye), for 250745
250746	—	Pattern Wheel, for $\frac{7}{8}$ in. Eye Buttonhole (large and medium eye), for 250747
250722	—	Pattern Wheel, for $\frac{3}{4}$ in. Eye and Straight Buttonhole (large eye), for 250723
250724	—	Pattern Wheel, for $\frac{7}{8}$ in. Eye and Straight Buttonhole (large eye), for 250725
250726	—	Pattern Wheel, for $\frac{5}{8}$ in. Eye and Straight Buttonhole (large eye), for 250727
250753	—	Pattern Wheel, for $\frac{5}{8}$ in. Taper Bar (medium eye) Buttonhole, bar adjustable from $\frac{1}{4}$ to $\frac{3}{4}$ in., for 250754

No.	Plate	Name
250751	—	Pattern Wheel, for $\frac{3}{4}$ in. Taper Bar (large eye) Buttonhole, bar adjustable from $\frac{1}{4}$ to $\frac{3}{4}$ in., for 250752
250732	15402	Pattern Wheel Cam Block
175E	13936	" " " " Screw ..
250372	13904	" " Rapid Feed Trip Point ..
203E	13860	" " " " " " Screw
250731	—	Pattern Wheel Ring, for 250759 ..
250759	—	" " " 250731 with 211E, 250443 and 250444, for 250727 and 250743
250729	—	Pattern Wheel Ring, for 250760 ..
250760	—	" " " 250729 with 211E, 250443 and 250444, for 250723 and 250745
250730	—	Pattern Wheel Ring, for 250761 ..
250761	—	" " " 250730 with 211E, 250443 and 250444, for 250725 and 250747
252659	13974	Pattern Wheel Ring, for 252661 ..
252661	—	" " " 252659 with 252662, 252663, two each 211E and 250444, for 250752 and 250754 ..
250443	13904	Pattern Wheel Ring Adjusting Segment
252662	15401	Pattern Wheel Ring Adjusting Segment (curved rise)
252663	15401	Pattern Wheel Ring Adjusting Segment (straight drop)
211E	13904	Pattern Wheel Ring Adjusting Segment Screw
250444	13904	Pattern Wheel Ring Adjusting Segment Screw Washer
391D	13904	Pattern Wheel Ring Screw

FOR MACHINE No. 99w79

For Making LARGE SIZE EYELET END TAPER BAR
Buttonholes with .025 inch Cutting Space

252647	—	Pattern Wheel, $\frac{5}{8}$ in., complete, bar adjustable from $\frac{1}{4}$ to $\frac{3}{4}$ in., Nos. 252648, 252661, two each 203E, 250372 and three 391D
--------	---	---

No.	Plate	Name
252649	---	Pattern Wheel, $\frac{3}{8}$ in., complete, bar adjustable from $\frac{1}{8}$ to $\frac{3}{8}$ in., Nos. 251428, 252650, two each 203E, 250372 and three 391D
252651	---	Pattern Wheel, $\frac{3}{8}$ in., complete, bar adjustable from $\frac{1}{8}$ to $\frac{1}{4}$ in., Nos. 251428, 252652, two each 203E, 250372 and three 391D

For Making EXTRA LARGE SIZE EYELET END TAPER

BAR Buttonholes with .050 inch Cutting Space

252653	----	Pattern Wheel, $\frac{5}{8}$ in., complete, bar adjustable from $\frac{1}{4}$ to $\frac{3}{8}$ in., Nos. 252654, 252661, two each 203E, 250372 and three 391D
252655	---	Pattern Wheel, $\frac{3}{8}$ in., complete, bar adjustable from $\frac{1}{8}$ to $\frac{3}{8}$ in., Nos. 251428, 252656, two each 203E, 250372 and three 391D
252657	----	Pattern Wheel, $\frac{7}{8}$ in., complete, bar adjustable from $\frac{1}{4}$ to $\frac{1}{2}$ in., Nos. 251428, 252658, two each 203E, 250372 and three 391D
252648	----	Pattern Wheel, for $\frac{5}{8}$ in. Taper Bar (large eye) Buttonhole, .025 in. cutting space, bar adjustable from $\frac{1}{8}$ to $\frac{3}{8}$ in., for 252647
252650	----	Pattern Wheel, for $\frac{3}{8}$ in. Taper Bar (large eye) Buttonhole, .025 in. cutting space, bar adjustable from $\frac{1}{8}$ to $\frac{3}{8}$ in., for 252649
252652	---	Pattern Wheel, for $\frac{7}{8}$ in. Taper Bar (large eye) Buttonhole, .025 in. cutting space, bar adjustable from $\frac{1}{4}$ to $\frac{1}{2}$ in., for 252651
252654	---	Pattern Wheel, for $\frac{5}{8}$ in. Taper Bar (extra large eye) Buttonhole, .050 in. cutting space, bar adjustable from $\frac{1}{8}$ to $\frac{3}{8}$ in., for 252653
252656	---	Pattern Wheel, for $\frac{3}{8}$ in. Taper Bar (extra large eye) Buttonhole, .050 in. cutting space, bar adjustable from $\frac{1}{8}$ to $\frac{3}{8}$ in., for 252655
252658	---	Pattern Wheel, for $\frac{7}{8}$ in. Taper Bar (extra large eye) Buttonhole, .050 in. cutting space, bar adjustable from $\frac{1}{8}$ to $\frac{1}{2}$ in., for 252657

No.	Plate	Name
250372	13904	Pattern Wheel Rapid Feed Trip Point
	203E 13860	Pattern Wheel Rapid Feed Trip Point Screw
252659	13974	Pattern Wheel Ring, for 252661 ..
252661	----	" " " 252659 with 252662, 252663, two each 211E and 250444, for 252647 and 252653 ..
251496	13974	Pattern Wheel Ring (adjustable), for 251428
251428	----	Pattern Wheel Ring 251496 with 252662, 252663, two each 211E and 250444, for 252649, 252651, 252655 and 252657
252662	15401	Pattern Wheel Ring Adjusting Segment (curved rise)
252663	15401	Pattern Wheel Ring Adjusting Segment (straight drop)
	211E 13904	Pattern Wheel Ring Adjusting Segment Screw
250444	13904	Pattern Wheel Ring Adjusting Segment Screw Washer
	391D 13904	Pattern Wheel Ring Screw

FOR MACHINE No. 99w80

For Making MEDIUM SIZE EYELET END TAPER BAR

Buttonholes with .025 inch Cutting Space

252809	---	Pattern Wheel, $\frac{5}{8}$ in., complete, bar adjustable from $\frac{1}{8}$ to $\frac{3}{8}$ in., Nos. 252661, 252808, two each 203E, 250372 and three 391D
--------	-----	---

For Making LARGE SIZE EYELET END TAPER BAR

Buttonholes with .025 inch Cutting Space

252811	13974	Pattern Wheel, $\frac{3}{8}$ in., complete, bar adjustable from $\frac{1}{8}$ to $\frac{3}{8}$ in., Nos. 251428, 252810, two each 203E, 250372 and three 391D
252813	---	Pattern Wheel, $\frac{7}{8}$ in., complete, bar adjustable from $\frac{1}{8}$ to $\frac{1}{2}$ in., Nos. 251428, 252812, two each 203E, 250372 and three 391D
252808	----	Pattern Wheel, for $\frac{5}{8}$ in. Taper Bar (medium eye) Buttonhole, bar adjustable from $\frac{1}{8}$ to $\frac{3}{8}$ in., for 252809

No.	Plate	Name
252810	---	Pattern Wheel, for $\frac{3}{4}$ in. Taper Bar (large eye) Buttonhole, bar adjustable from $\frac{1}{4}$ to $\frac{3}{4}$ in., for 252811
252812	---	Pattern Wheel, for $\frac{7}{8}$ in. Taper Bar (large eye) Buttonhole, bar adjustable from $\frac{1}{4}$ to $\frac{1}{2}$ in., for 252813
250372	13904	Pattern Wheel Rapid Feed Trip Point
203E	13860	Pattern Wheel Rapid Feed Trip Point Screw
252659	13974	Pattern Wheel Ring, for 252661 ..
252661	---	Pattern Wheel Ring 252659 with 252662, 252663, two each 211E and 250441, for 252809
251496	13974	Pattern Wheel Ring (adjustable), for 251428
251428	---	Pattern Wheel Ring 251496 with 252662, 252663, two each 211E and 250441, for 252811 and 252813 ..
252662	15401	Pattern Wheel Ring Adjusting Segment (curved rise)
252663	15401	Pattern Wheel Ring Adjusting Segment (straight drop)
211E	13904	Pattern Wheel Ring Adjusting Segment Screw
250444	13904	Pattern Wheel Ring Adjusting Segment Screw Washer
391D	13904	Pattern Wheel Ring Screw

FOR MACHINE No. 99w95

For Making EYELET END or STRAIGHT Buttonholes

252091	---	Pattern Wheel, $\frac{3}{4}$ in., complete, Nos. 252090, 252281, two each 203E, 250372 and three 391D
252095	---	Pattern Wheel, $\frac{7}{8}$ in., complete, Nos. 252094, 252282, two each 203E, 250372 and three 391D
252099	----	Pattern Wheel, 1 in., complete, Nos. 252098, 252283, two each 203E, 250372 and three 391D
252103	---	Pattern Wheel, $1\frac{1}{4}$ in., complete, Nos. 252102, 252284, two each 203E, 250372 and three 391D
252107	---	Pattern Wheel, $1\frac{1}{2}$ in., complete, Nos. 252106, 252285, two each 203E, 250372 and three 391D

No.	Plate	Name
252111	----	Pattern Wheel, $1\frac{3}{4}$ in., complete, Nos. 252110, 252286, two each 203E, 250372 and three 391D
252115	---	Pattern Wheel, $1\frac{1}{2}$ in., complete, Nos. 252114, 252287, two each 203E, 250372 and three 391D
252123	----	Pattern Wheel, for $1\frac{3}{4}$ in., complete, Nos. 252122, 252289, two each 203E, 250372 and three 391D
252131	13974	Pattern Wheel, 2 in., complete, Nos. 252130, 252291, two each 203E, 250372 and three 391D

For Making EYELET END Buttonholes with TAPER BAR

252216	---	Pattern Wheel, $\frac{3}{4}$ in., complete, bar adjustable from $\frac{1}{4}$ to $\frac{3}{4}$ in., Nos. 252215, 252292, two each 203E, 250372 and three 391D
252218	----	Pattern Wheel, $\frac{7}{8}$ in., complete, bar adjustable from $\frac{1}{4}$ to $\frac{3}{4}$ in., Nos. 252217, 252293, two each 203E, 250372 and three 391D
252220	---	Pattern Wheel, 1 in., complete, bar adjustable from $\frac{1}{4}$ to $\frac{3}{4}$ in., Nos. 252219, 252294, two each 203E, 250372 and three 391D
252222	----	Pattern Wheel, $1\frac{1}{4}$ in., complete, bar adjustable from $\frac{1}{4}$ to $\frac{3}{4}$ in., Nos. 252221, 252295, two each 203E, 250372 and three 391D
252224	---	Pattern Wheel, $1\frac{1}{2}$ in., complete, bar adjustable from $\frac{1}{4}$ to $\frac{3}{4}$ in., Nos. 252223, 252296, two each 203E, 250372 and three 391D
252226	---	Pattern Wheel, $1\frac{3}{4}$ in., complete, bar adjustable from $\frac{1}{4}$ to $\frac{3}{4}$ in., Nos. 252225, 252297, two each 203E, 250372 and three 391D
252228	----	Pattern Wheel, $1\frac{1}{2}$ in., complete, bar adjustable from $\frac{1}{4}$ to $\frac{3}{4}$ in., Nos. 252227, 252298, two each 203E, 250372 and three 391D
252232	----	Pattern Wheel, $1\frac{3}{4}$ in., complete, bar adjustable from $\frac{1}{4}$ to $\frac{1}{2}$ in., Nos. 252231, 252299, two each 203E, 250372 and three 391D
252090	----	Pattern Wheel, for $\frac{3}{4}$ in. Eye and Straight Buttonhole, for 252091..

No.	Plate	Name
252094	-----	Pattern Wheel, for $\frac{3}{4}$ in. Eye and Straight Buttonhole, for 252095..
252098	-----	Pattern Wheel, for 1 in. Eye and Straight Buttonhole, for 252099..
252102	-----	Pattern Wheel, for $1\frac{1}{4}$ in. Eye and Straight Buttonhole, for 252103..
252106	-----	Pattern Wheel, for $1\frac{1}{2}$ in. Eye and Straight Buttonhole, for 252107..
252110	-----	Pattern Wheel, for $1\frac{3}{4}$ in. Eye and Straight Buttonhole, for 252111..
252114	-----	Pattern Wheel, for $1\frac{1}{2}$ in. Eye and Straight Buttonhole, for 252115..
252122	-----	Pattern Wheel, for $1\frac{3}{4}$ in. Eye and Straight Buttonhole, for 252123..
252130	-----	Pattern Wheel, for 2 in. Eye and Straight Buttonhole, for 252131..
252215	-----	Pattern Wheel, for $\frac{3}{4}$ in. Taper Bar Buttonhole, bar adjustable from $\frac{1}{4}$ to $\frac{3}{4}$ in., for 252216
252217	-----	Pattern Wheel, for $\frac{3}{4}$ in. Taper Bar Buttonhole, bar adjustable from $\frac{1}{4}$ to $\frac{3}{4}$ in., for 252218
252219	-----	Pattern Wheel, for 1 in. Taper Bar Buttonhole, bar adjustable from $\frac{1}{4}$ to $\frac{3}{4}$ in., for 252220
252221	-----	Pattern Wheel, for $1\frac{1}{4}$ in. Taper Bar Buttonhole, bar adjustable from $\frac{1}{4}$ to $\frac{3}{4}$ in., for 252222
252223	-----	Pattern Wheel, for $1\frac{1}{4}$ in. Taper Bar Buttonhole, bar adjustable from $\frac{1}{4}$ to $\frac{3}{4}$ in., for 252224
252225	-----	Pattern Wheel, for $1\frac{3}{4}$ in. Taper Bar Buttonhole, bar adjustable from $\frac{1}{4}$ to $\frac{3}{4}$ in., for 252226
252227	-----	Pattern Wheel, for $1\frac{1}{2}$ in. Taper Bar Buttonhole, bar adjustable from $\frac{1}{4}$ to $\frac{3}{4}$ in., for 252228
252231	-----	Pattern Wheel, for $1\frac{3}{4}$ in. Taper Bar Buttonhole, bar adjustable from $\frac{1}{4}$ to $\frac{3}{4}$ in., for 252232
250372	13904	Pattern Wheel Rapid Feed Trip Point
	203E 13860	Pattern Wheel Rapid Feed Trip Point Screw
252156	-----	Pattern Wheel Ring, for 252281 ..
252281	-----	" " " 252156 with 211E, 250443 and 250444, for 252091
252158	-----	Pattern Wheel Ring, for 252282 ..
252282	-----	" " " 252158 with 211E, 250443 and 250444, for 252095

No.	Plate	Name
252160	-----	Pattern Wheel Ring, for 252283 ..
252283	-----	" " " 252160 with 211E, 250443 and 250444, for 252099
252162	-----	Pattern Wheel Ring, for 252284 ..
252284	-----	" " " 252162 with 211E, 250443 and 250444, for 252103
252164	-----	Pattern Wheel Ring, for 252285 ..
252285	-----	Pattern Wheel Ring 252164 with 211E, 250443 and 250444, for 252107
252166	-----	Pattern Wheel Ring, for 252286 ..
252286	-----	" " " 252166 with 211E, 250443 and 250444, for 252111
252168	-----	Pattern Wheel Ring, for 252287 ..
252287	-----	" " " 252168 with 211E, 250443 and 250444, for 252115
252172	-----	Pattern Wheel Ring, for 252289 ..
252289	-----	" " " 252172 with 211E, 250443 and 250444, for 252123
252176	13974	Pattern Wheel Ring, for 252291 ..
252291	-----	" " " 252176 with 211E, 250443 and 250444, for 252131
252258	-----	Pattern Wheel Ring (adjustable), for 252292
252292	-----	Pattern Wheel Ring 252258 with 252275, 252276, two each 211E and 250444, for 252216
252259	-----	Pattern Wheel Ring (adjustable), for 252293
252293	-----	Pattern Wheel Ring 252259 with 252275, 252276, two each 211E and 250444, for 252218
252260	-----	Pattern Wheel Ring (adjustable), for 252294
252294	-----	Pattern Wheel Ring 252260 with 252275, 252276, two each 211E and 250444, for 252220
252261	-----	Pattern Wheel Ring (adjustable), for 252295
252295	-----	Pattern Wheel Ring 252261 with 252275, 252276, two each 211E and 250444, for 252222
252262	-----	Pattern Wheel Ring (adjustable), for 252296
252296	-----	Pattern Wheel Ring 252262 with 252275, 252276, two each 211E and 250444, for 252224
252263	-----	Pattern Wheel Ring (adjustable), for 252297

No.	Plate	Name
252297	---	Pattern Wheel Ring 252263 with 252275, 252276, two each 211e and 250444, for 252226
252264	---	Pattern Wheel Ring (adjustable), for 252298
252298	---	Pattern Wheel Ring 252264 with 252275, 252276, two each 211e and 250444, for 252228
252265	---	Pattern Wheel Ring (adjustable), for 252299
252299	---	Pattern Wheel Ring 252265 with 252275, 252276, two each 211e and 250444, for 252232
250443	13904	Pattern Wheel Ring Adjusting Segment
252275	15409	Pattern Wheel Ring Adjusting Segment (curved rise)
252276	15409	Pattern Wheel Ring Adjusting Segment (straight drop)
211e	13904	Pattern Wheel Ring Adjusting Segment Screw
250444	13904	Pattern Wheel Ring Adjusting Segment Screw Washer
391b	13904	Pattern Wheel Ring Screw

PATTERN WHEEL CABINET

250403	---	Pattern Wheel Cabinet
--------	-----	-----------------------------

KNIFE TRUEING FIXTURE

232870	13874	Knife Trueing Fixture Base with 448c
232871	----	Knife Trueing Fixture Base 232870 with 59b, 232872 and 232876
232875	---	Knife Trueing Fixture Oil Stone Bracket 232874 with 232873 and 232877
232872	13874	Knife Trueing Fixture Knife Clamping Lever
59b	13874	Knife Trueing Fixture Knife Clamping Lever Hinge Screw

No.	Plate	Name
232873	13874	Knife Trueing Fixture Oil Stone
232874	13874	" " " " " " Bracket with three 448c
232876	13874	Knife Trueing Fixture Oil Stone Bracket Shaft
448c	13862	Knife Trueing Fixture Oil Stone Bracket Shaft Set Screw
448c	13862	Knife Trueing Fixture Oil Stone Set Screw
232877	13874	Knife Trueing Fixture Oil Stone Set Screw Friction Gib
232878	----	Singer Knife Trueing Fixture complete, Nos. 232871 and 232875 ..

THREAD LUBRICATING CUP

250518	13942	Thread Lubricating Cup with 171e, 250519 and 250520
250519	---	Thread Lubricating Cup Oil Pad (felt)
171e	13902	Thread Lubricating Cup Pinch Screw
250520	----	Thread Lubricating Cup Thread Guide

THROAT PLATES

250226	---	Throat Plate, for pyramid purl, for Machines Nos. 99w76, 99w77 and 99w95
250448	15403	Throat Plate, for flat purl, for Machines Nos. 99w76, 99w77 and 99w95
252528	15403	Throat Plate, for flat purl, for Machine No. 99w79
251368	13902	Throat Plate, for soft material, for Machine No. 99w80

SHAFT PULLEYS

For Singer Safety Power Table

No.	Plate	Name
41219	—	Shaft Pulley (sectional, grooved), 3 in. diam., $\frac{1}{8}$ in. bore (for Table Shaft), with two 50399E
41220	—	Shaft Pulley (sectional, grooved), $3\frac{1}{4}$ in. diam., $\frac{1}{8}$ in. bore (for Table Shaft), with two 50399E
41221	—	Shaft Pulley (sectional, grooved), $3\frac{1}{2}$ in. diam., $\frac{1}{8}$ in. bore (for Table Shaft), with two 50399E
41222	—	Shaft Pulley (sectional, grooved), $3\frac{3}{4}$ in. diam., $\frac{1}{8}$ in. bore (for Table Shaft), with two 50399E
41223	—	Shaft Pulley (sectional, grooved), 4 in. diam., $\frac{1}{8}$ in. bore (for Table Shaft), with two 50399E
41224	—	Shaft Pulley (sectional, grooved), $4\frac{1}{4}$ in. diam., $\frac{1}{8}$ in. bore (for Table Shaft), with two 50399E
41228	—	Shaft Pulley (sectional, grooved), $5\frac{1}{4}$ in. diam., $\frac{1}{8}$ in. bore, with two 50399E
50399E	15409	Shaft Pulley Screw

For Low Shaft Table

27271	—	Shaft Pulley (sectional, grooved), 4 in. diam., $1\frac{1}{8}$ in. bore, with two 597c
232920	—	Shaft Pulley (sectional, grooved), $4\frac{1}{2}$ in. diam., $1\frac{1}{8}$ in. bore, with two 597c
27065	—	Shaft Pulley (sectional, grooved), 5 in. diam., $1\frac{1}{8}$ in. bore, with two 597c
232879	—	Shaft Pulley (sectional, grooved), $5\frac{1}{2}$ in. diam., $1\frac{1}{8}$ in. bore, with two 597c
27066	—	Shaft Pulley (sectional, grooved), 6 in. diam., $1\frac{1}{8}$ in. bore, with two 597c

No.	Plate	Name
232880	—	Shaft Pulley (sectional, grooved), $6\frac{1}{2}$ in. diam., $1\frac{1}{8}$ in. bore, with two 597c
27067	—	Shaft Pulley (sectional, grooved), 7 in. diam., $1\frac{1}{8}$ in. bore, with two 597c
232881	—	Shaft Pulley (sectional, grooved), $7\frac{1}{2}$ in. diam., $1\frac{1}{8}$ in. bore, with two 597c
27068	—	Shaft Pulley (sectional, grooved), 8 in. diam., $1\frac{1}{8}$ in. bore, with two 597c
232882	—	Shaft Pulley (sectional, grooved), $8\frac{1}{2}$ in. diam., $1\frac{1}{8}$ in. bore, with two 597c
27069	—	Shaft Pulley (sectional, grooved), 9 in. diam., $1\frac{1}{8}$ in. bore, with two 597c
232883	—	Shaft Pulley (sectional, grooved), $9\frac{1}{2}$ in. diam., $1\frac{1}{8}$ in. bore, with two 597c
27070	—	Shaft Pulley (sectional, grooved), 10 in. diam., $1\frac{1}{8}$ in. bore, with two 597c
27072	—	Shaft Pulley (sectional, grooved), 12 in. diam., $1\frac{1}{8}$ in. bore, with two 597c
27074	—	Shaft Pulley (sectional, grooved), 14 in. diam., $1\frac{1}{8}$ in. bore, with two 597c
27075	—	Shaft Pulley (sectional, grooved), 15 in. diam., $1\frac{1}{8}$ in. bore, with two 597c
597c	15409	Shaft Pulley Clamping Screw

TRANSMITTER PULLEYS

For Singer Universal Safety Power Table

No.	Plate	Name
126713	---	Transmitter Pulley (sectional, grooved), sheet metal, 4 $\frac{3}{4}$ in. diameter
126714	15413	Transmitter Pulley (sectional, grooved), sheet metal, 5 in. diameter
126715	---	Transmitter Pulley (sectional, grooved), sheet metal, 5 $\frac{1}{4}$ in. diameter
126716	---	Transmitter Pulley (sectional, grooved), sheet metal, 5 $\frac{1}{2}$ in. diameter
126717	---	Transmitter Pulley (sectional, grooved), sheet metal, 5 $\frac{3}{4}$ in. diameter

OBSOLETE PARTS

No.	Plate	Name
232495	13858	Bed Shaft Bevel Gear (order Position Screw or Set Screw as required)
250291	15410	Driving Wheel Stop Cam
250113	15409	Needle Holder Slide
232194	15409	" Thread Nipping Block
200397H	15409	" " " " Set Screw
250120	15409	Needle Thread Nipping Cam with 460c
12509	15407	Needle Thread Nipping Cam Position Pin
460c	13817	Needle Thread Nipping Cam Set Screw
250122	13875	Needle Thread Nipping Lever with 200075c, 200139E, 201103c, 201534E, 201535E, 201869 and 250123
200075c	15409	Needle Thread Nipping Lever Adjusting Screw
201535E	15409	Needle Thread Nipping Lever Adjusting Screw Nut
1248c	15409	Needle Thread Nipping Lever Hinge Screw
201869	15409	Needle Thread Nipping Lever Roller
200139E	13846	Needle Thread Nipping Lever Roller Cap Screw
201103c	15409	Needle Thread Nipping Lever Roller Stud
201534E	15409	Needle Thread Nipping Lever Roller Stud Nut
250123	13875	Needle Thread Nipping Lever Roller Stud Washer
232196	15409	Needle Thread Nipping Post
200688E	---	" " " " Guide Screw
232197	15409	Needle Thread Nipping Post Spring
250741	---	Needle Thread Retainer complete, Nos. 1620E, 12400, 12402, 39713 and 250740
250740	15409	Needle Thread Retainer Holder with 462c

No.	Plate	Name
1620E	15409	Needle Thread Retainer Holder Nut
12400	15409	" " " Sleeve
39713	13934	" " " Spring
12402	15409	" " " Stud
462C	13847	" " " " Set Screw
250126	15410	" " Take-up with 735C ..
12509	15407	" " " Position Pin ..
735C	13900	" " " Set Screw
250127	15410	" " " Shaft
250128	13875	" " " " Bracket
250399	13972	" " " " "
		Position Pin
232673	15410	Needle Thread Take-up Shaft Gear
40025	13834	" " " " " "
		Position Pin
448C	13862	Needle Thread Take-up Shaft Gear Set Screw
250129	13875	Needle Thread Take-up Spring
201440E	15409	" " " " Screw
		Stud
250130	13875	Needle Thread Take-up Spring Stop Plate
233D	13901	Needle Thread Take-up Spring Stop Plate Screw
250131	13875	Needle Thread Take-up Thread Guide
250132	13875	Needle Thread Take-up Thread Guide Hinge Pin
250133	13875	Needle Thread Take-up Thread Guide Spring Latch
233D	13901	Needle Thread Take-up Thread Guide Spring Latch Screw
250134	13875	Needle Thread Take-up Thread Stripper
233D	13901	Needle Thread Take-up Thread Stripper Screw
250135	13875	Needle Thread Tension Releaser Arm
250136	13875	Needle Thread Tension Releaser Arm Plate
220E	15409	Needle Thread Tension Releaser Arm Plate Screw
250139	13875	Needle Thread Tension Thread Guide
250739	15409	Needle Thread Tension Thread Guide
1620E	15409	Needle Thread Tension Thread Guide Lock Nut
250155	13851	Rapid Feed Clutch Disengaging Sleeve

No.	Plate	Name	
250157	13851	Rapid Feed Clutch Roller Carrier with 624E	
232531	13851	Rapid Feed Clutch Roller Spring	
250170	13853	" " Pawl Bell Crank with 202299	
201441C	13853	Rapid Feed Pawl Hinge Screw	
201667C	13853	" " " " " Nut	
250173	13852	Rapid Feed Slide Bar	
250176	13853	" " " " Fork Con- nection with 889C	
253482	15409	Rapid Feed Slide Bar Fork Con- nection Extension Plate	
	190D	13900	Rapid Feed Slide Bar Fork Con- nection Extension Plate Screw ..
350166C	15403	Rapid Feed Slide Bar Lock Hinge Screw	
250188	15403	Rapid Feed Slide Bar Spring	
250737	15409	Throat Plate with 200589D and 250738	
250738	15409	Throat Plate Needle Thread Cutter	
200589D	15409	" " " " " "	
		Screw	
232495	13858	Vertical Shaft Bevel Gear (order Position Screw or Set Screw as required)	
251351	15410	Work Clamp Arm (left)	
251352	15410	" " " (right)	

PLATE 13777—ONE-HALF SIZE

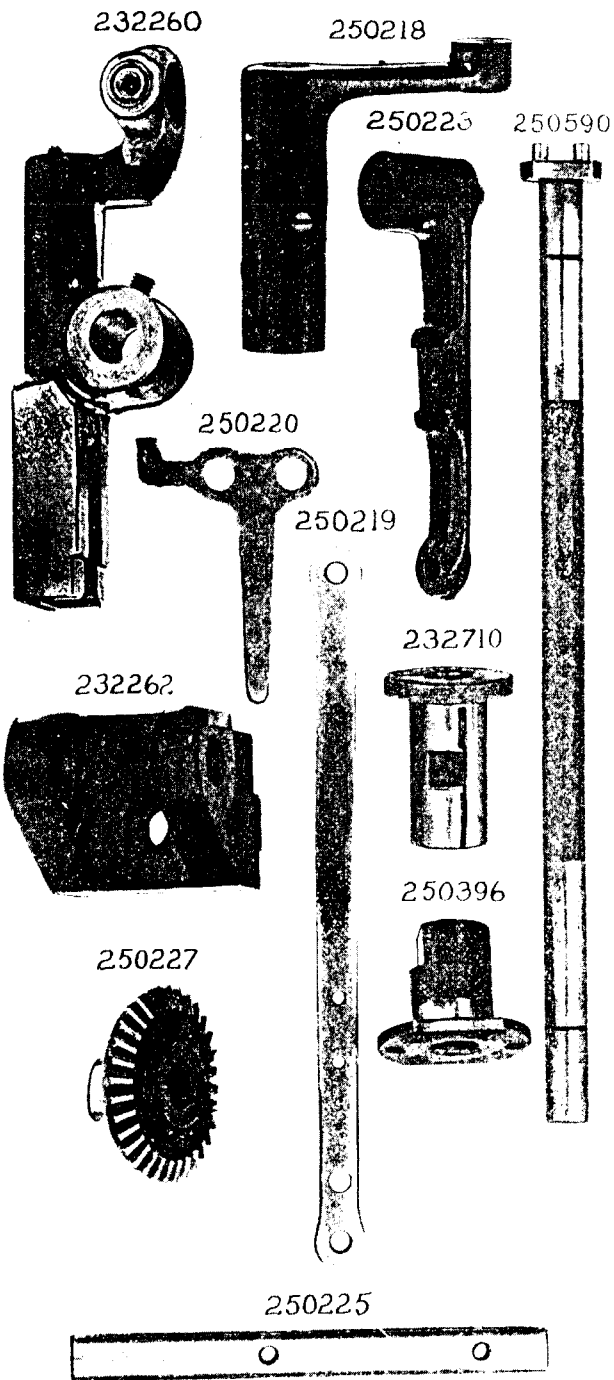


PLATE 13811—FULL SIZE

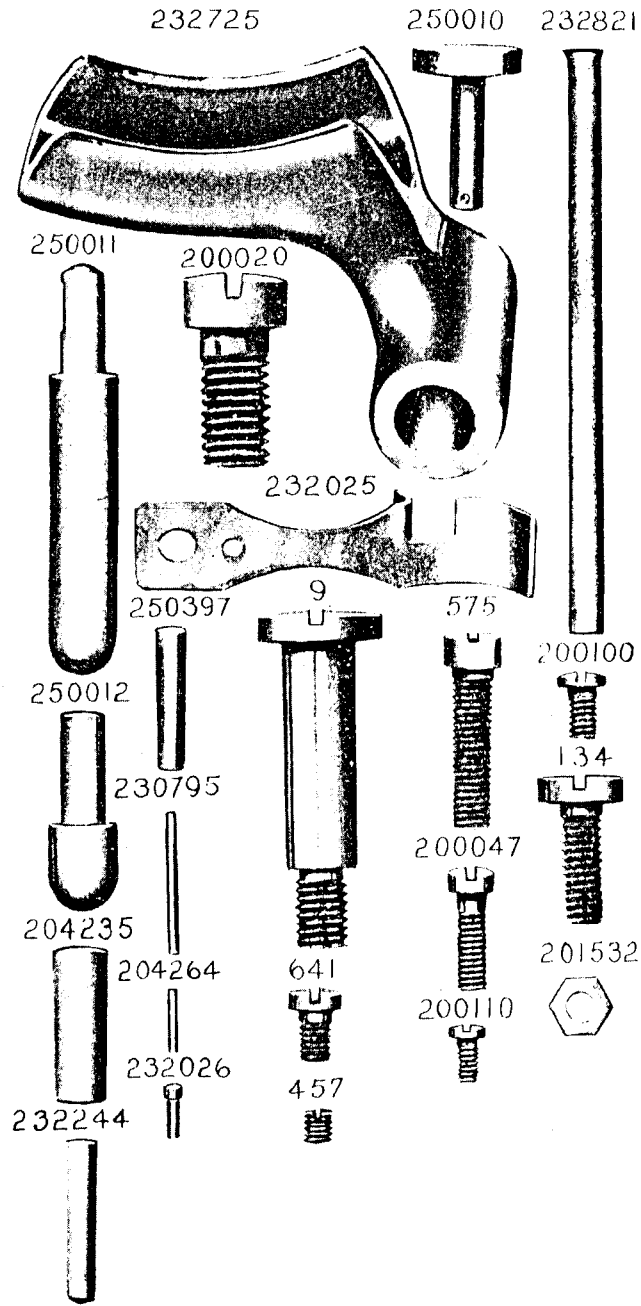


PLATE 13852—ONE-HALF SIZE

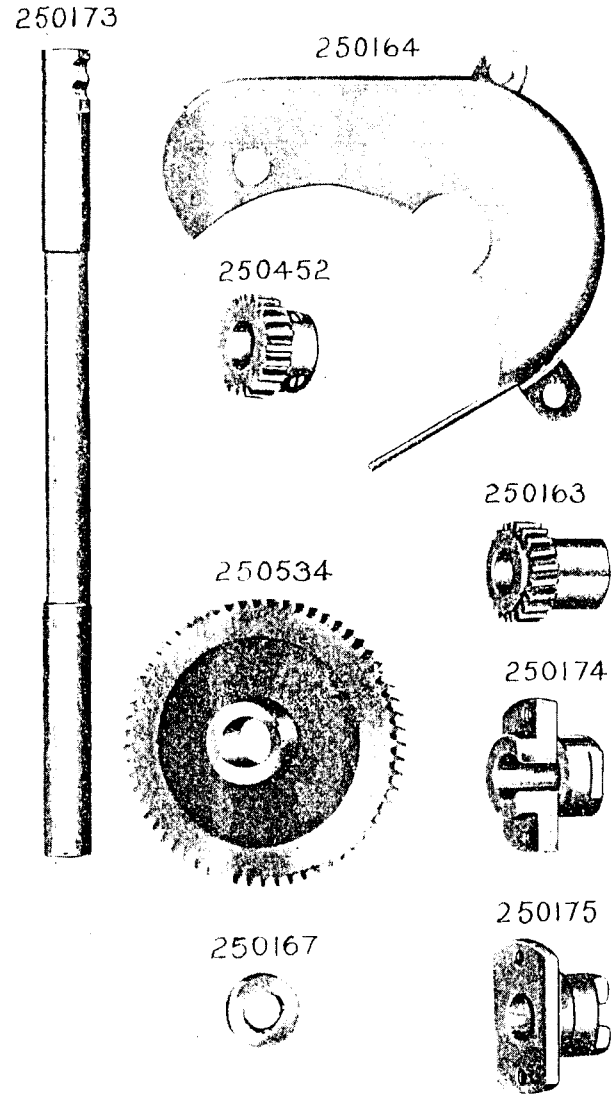
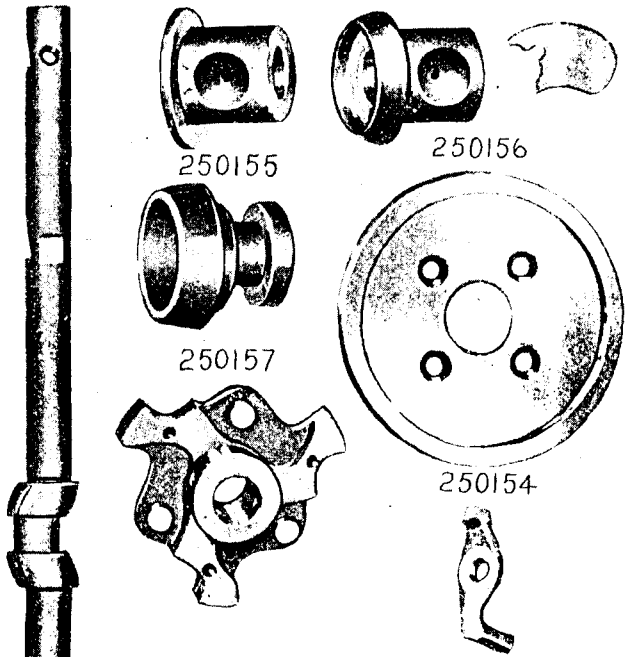


PLATE 13851—ONE-HALF SIZE

250158 250159 250161 250153



FULL SIZE

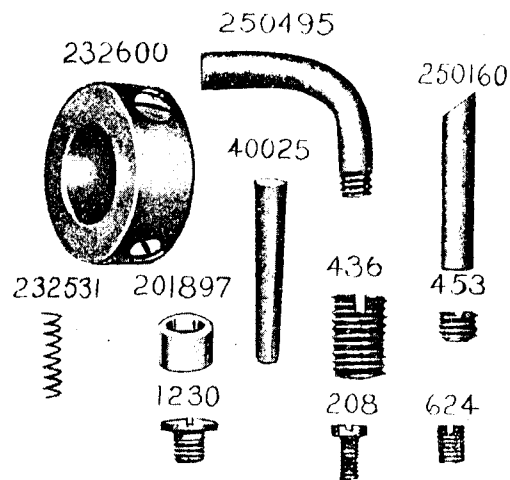


PLATE 13848—ONE-HALF SIZE

250142 250145

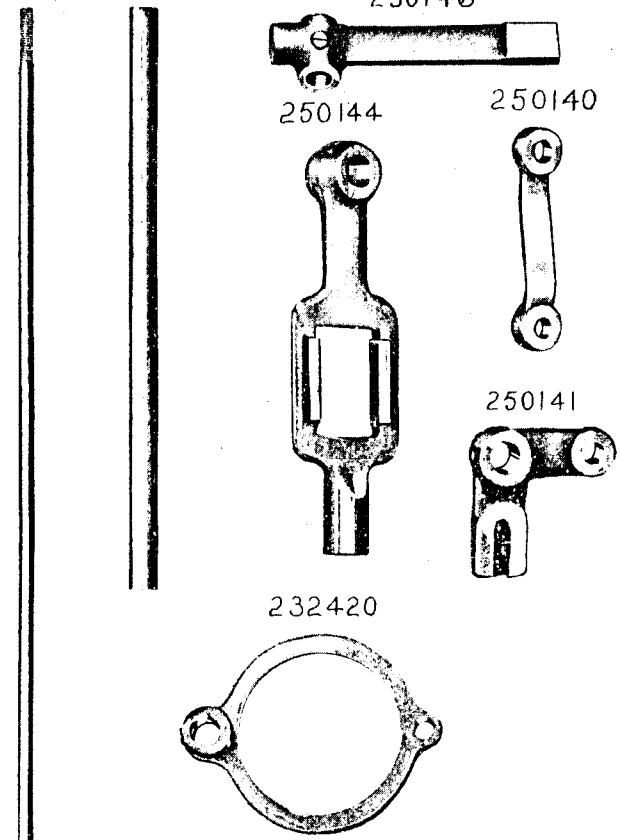


PLATE 13847—FULL SIZE

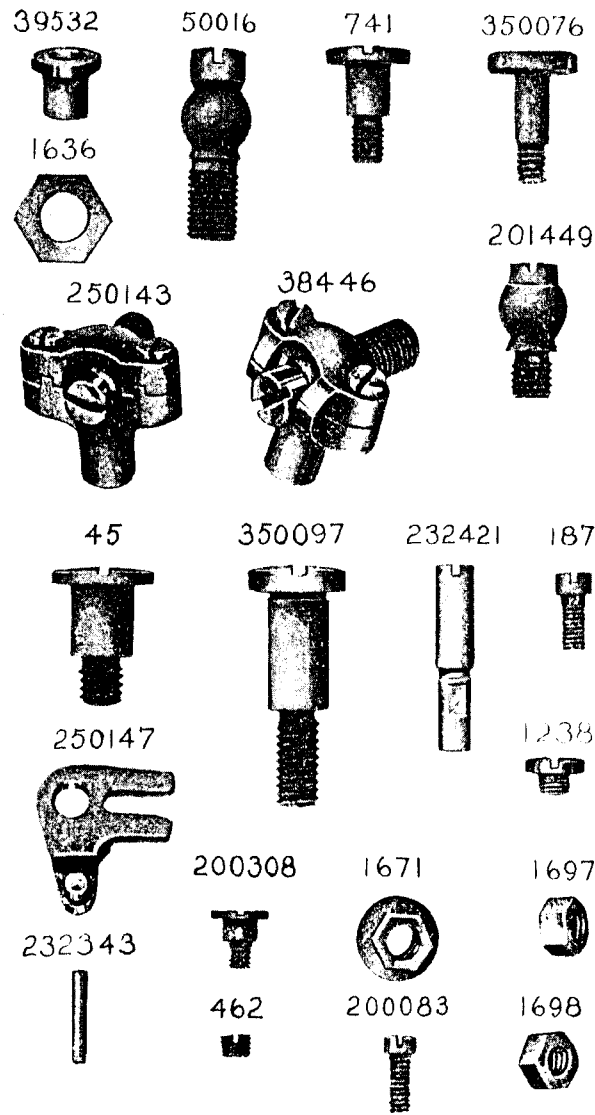


PLATE 13846—FULL SIZE

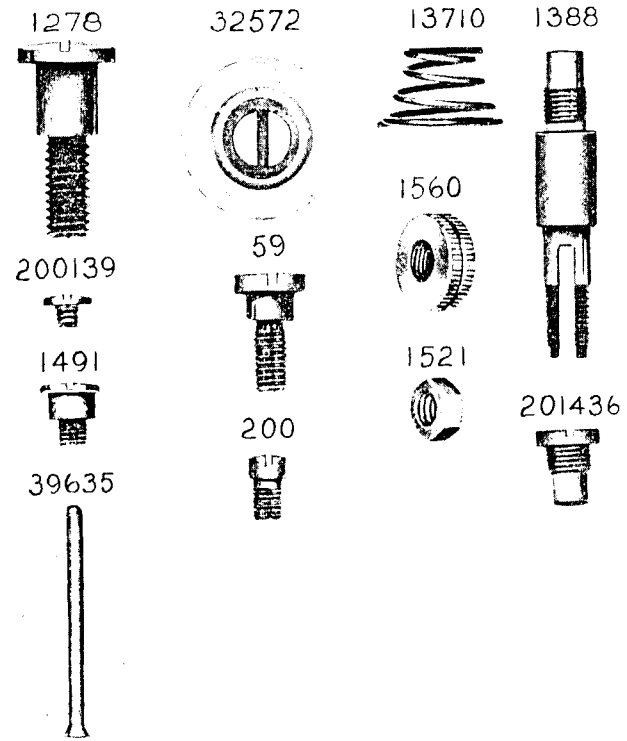
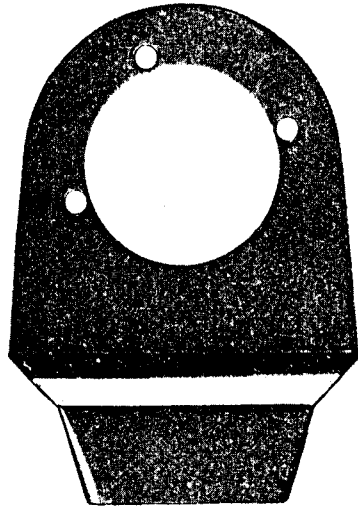
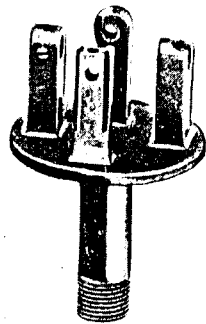


PLATE 13842—ONE-HALF SIZE

250082



250081



250075



250069

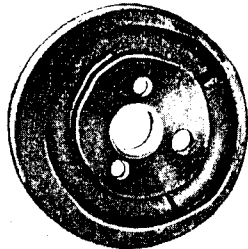


PLATE 13840—FULL SIZE

250462

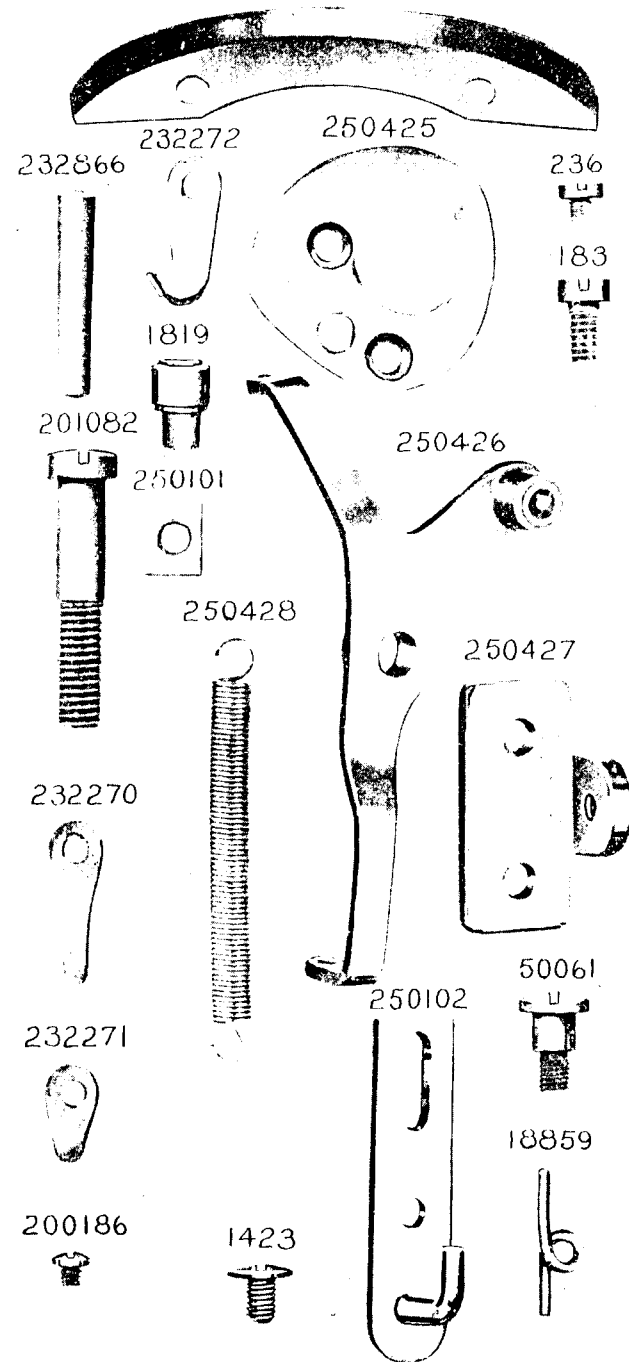
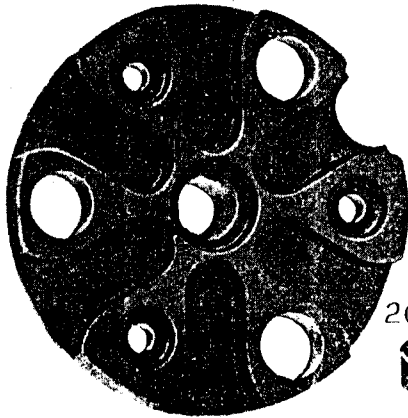


PLATE 13839—FULL SIZE

250097



201435



201704



176



201144



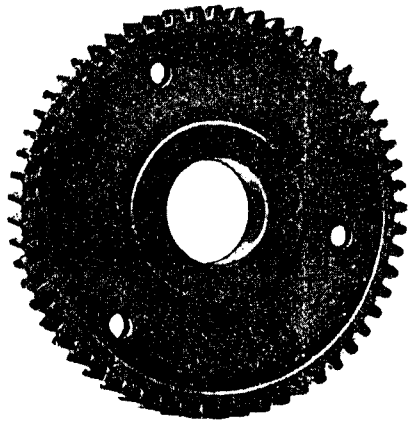
250099



201898



250098



250100
ONE-HALF SIZE

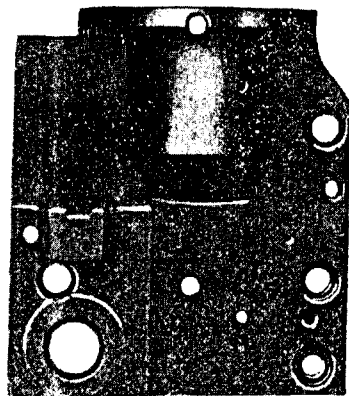
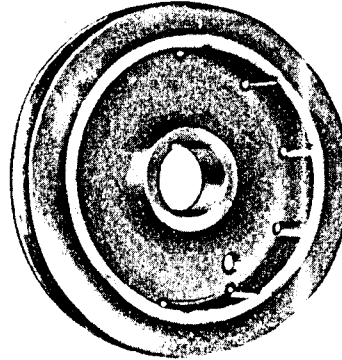
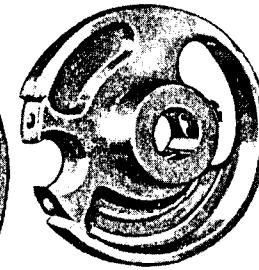


PLATE 13834—ONE-HALF SIZE

250050

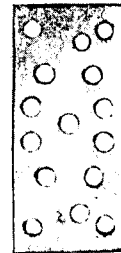


232110



— FULL SIZE —

232112



40025



200363

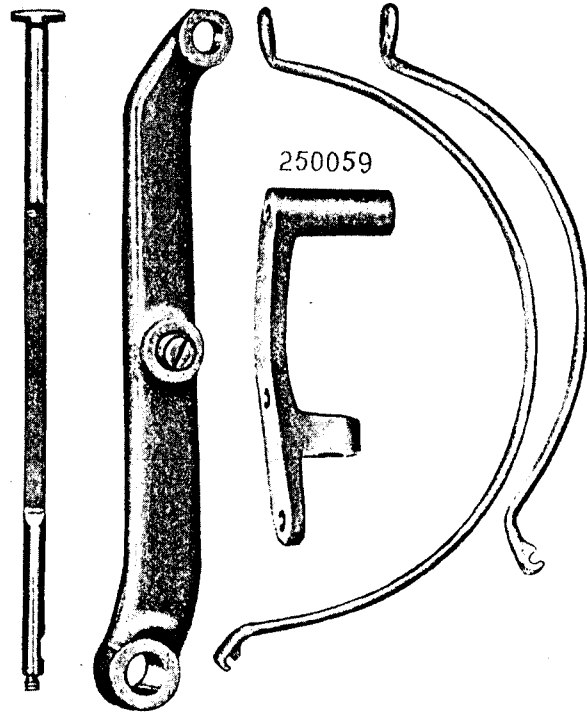


232113



PLATE 13826—ONE-HALF SIZE

232462 250244 250060 250061



250059

250252



FULL SIZE

232321



201374



201097



201530



232287



232686



231



PLATE 13825—FULL SIZE

250245

232135

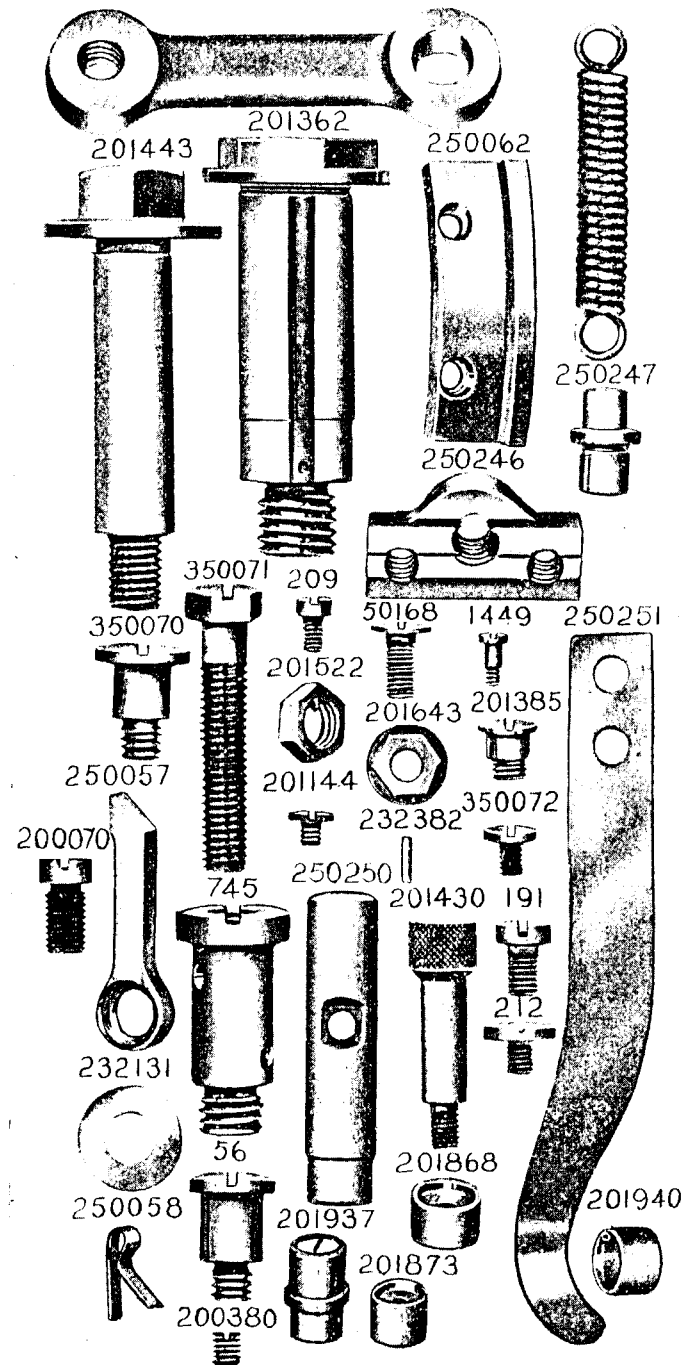


PLATE 13823—ONE-HALF SIZE

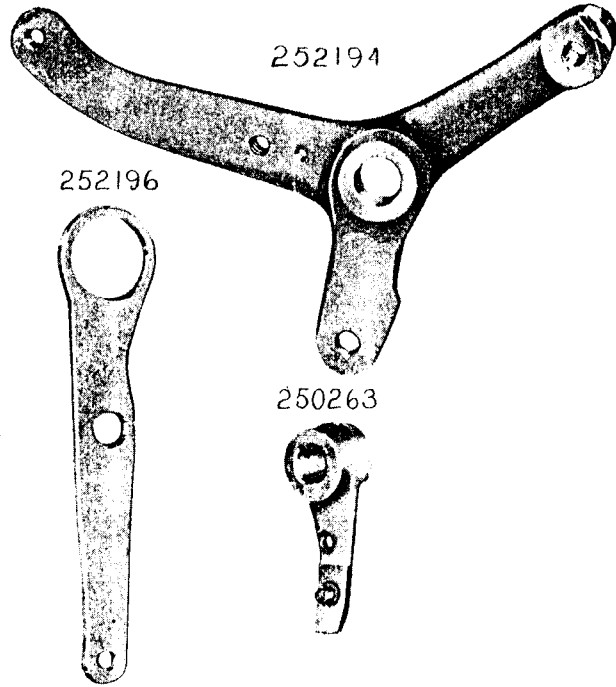


PLATE 13818—ONE-HALF SIZE

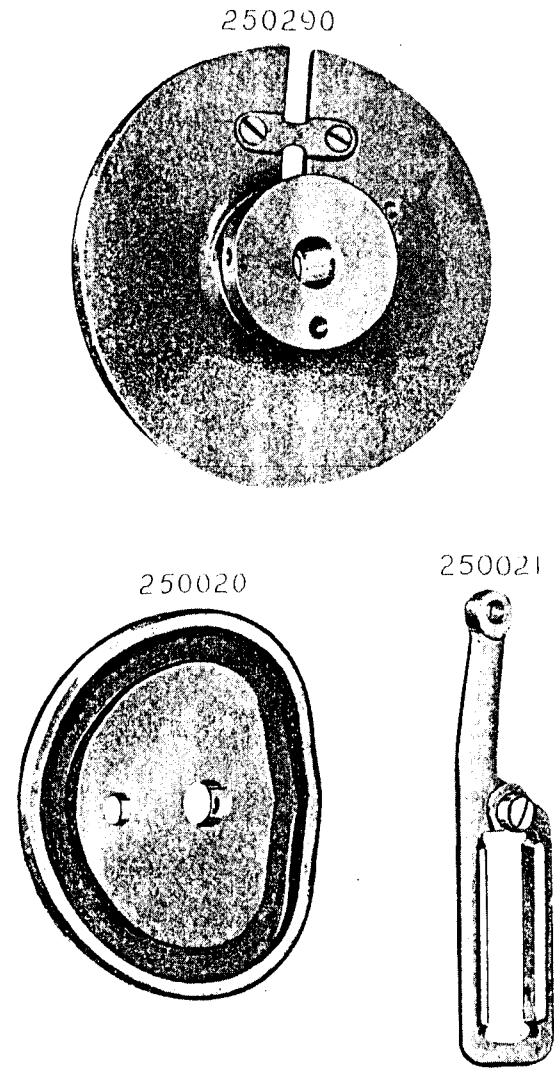


PLATE 13817—FULL SIZE

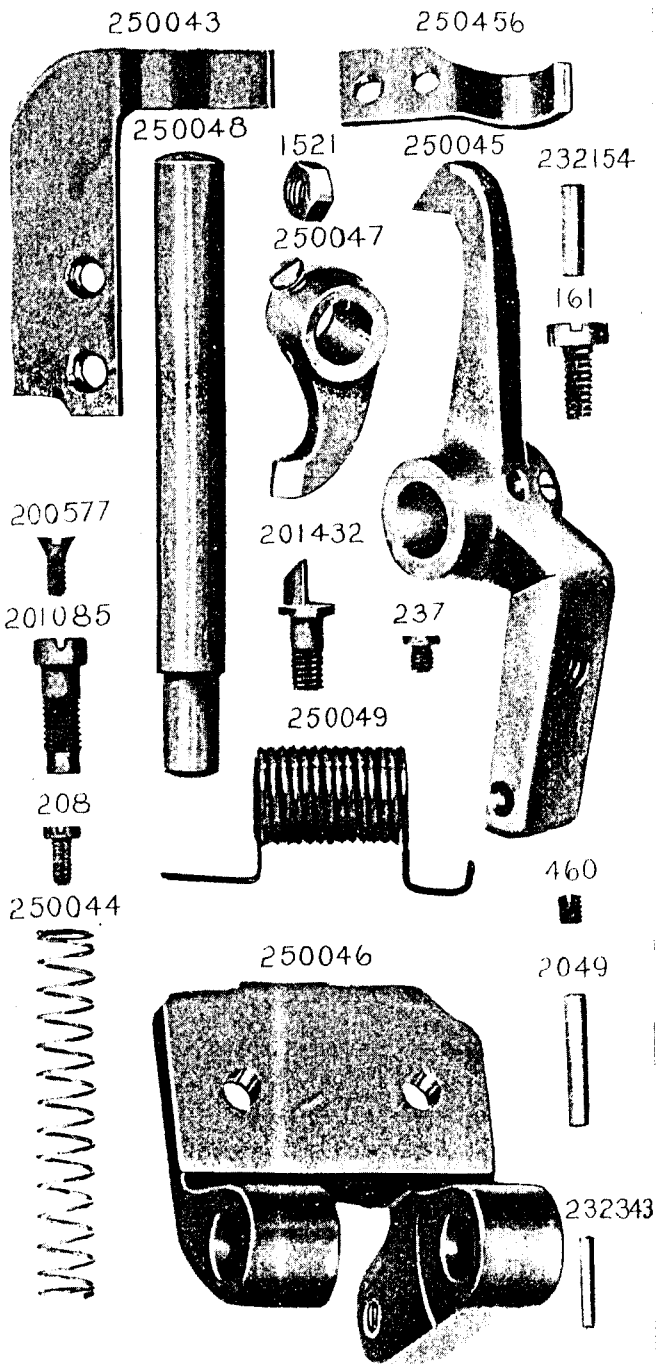


PLATE 13816—FULL SIZE

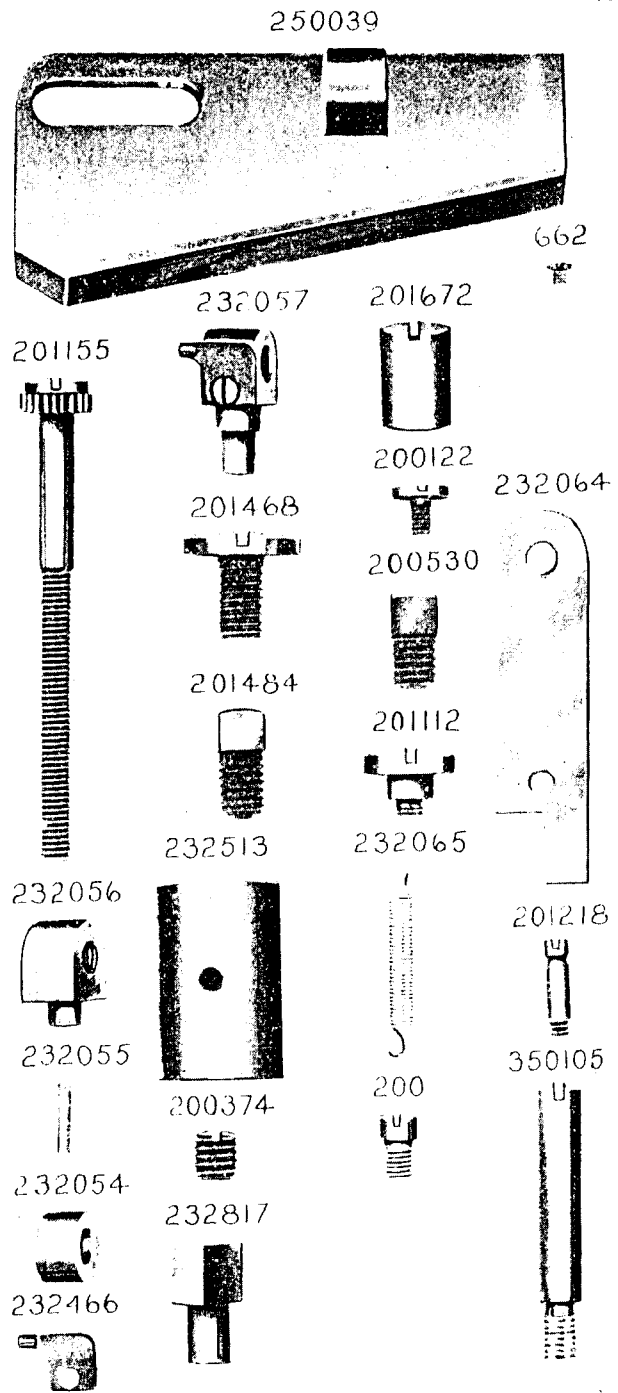


PLATE 13812—ONE-HALF SIZE

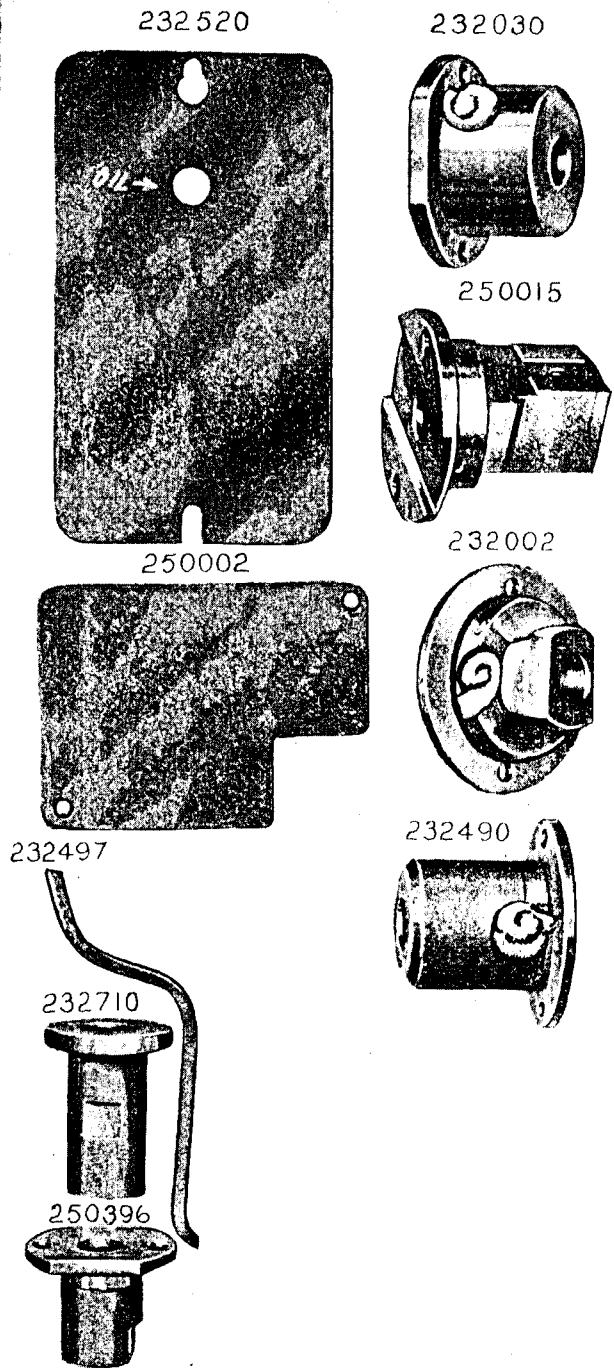


PLATE 13853—FULL SIZE

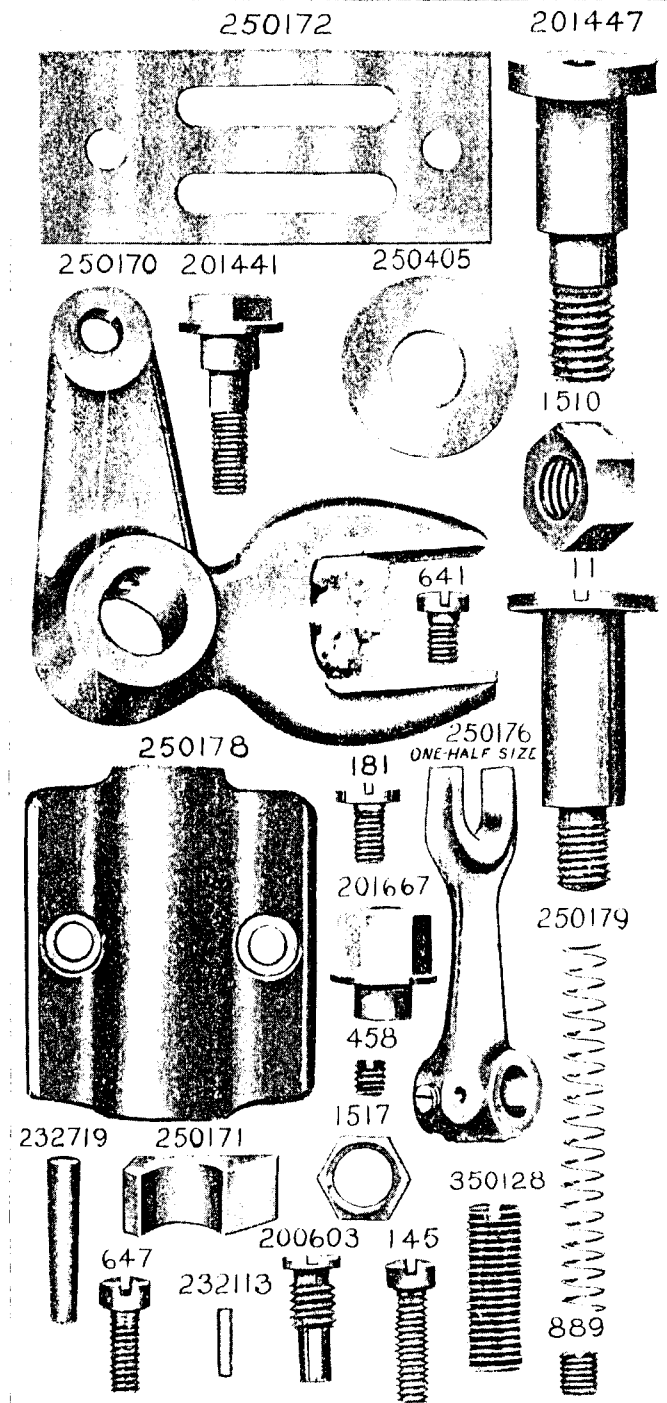


PLATE 13855—ONE-HALF SIZE

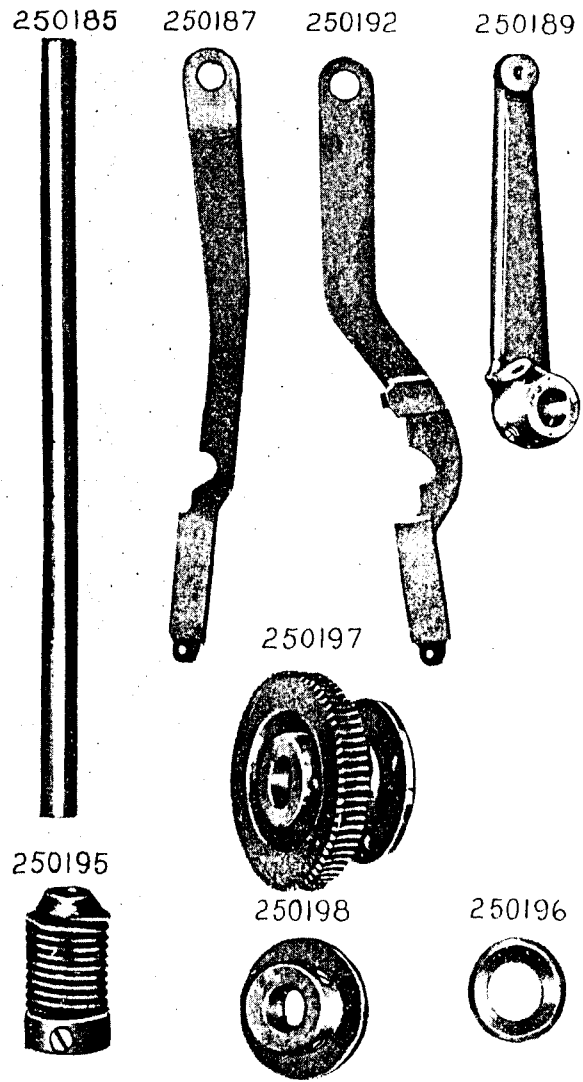


PLATE 13856—FULL SIZE

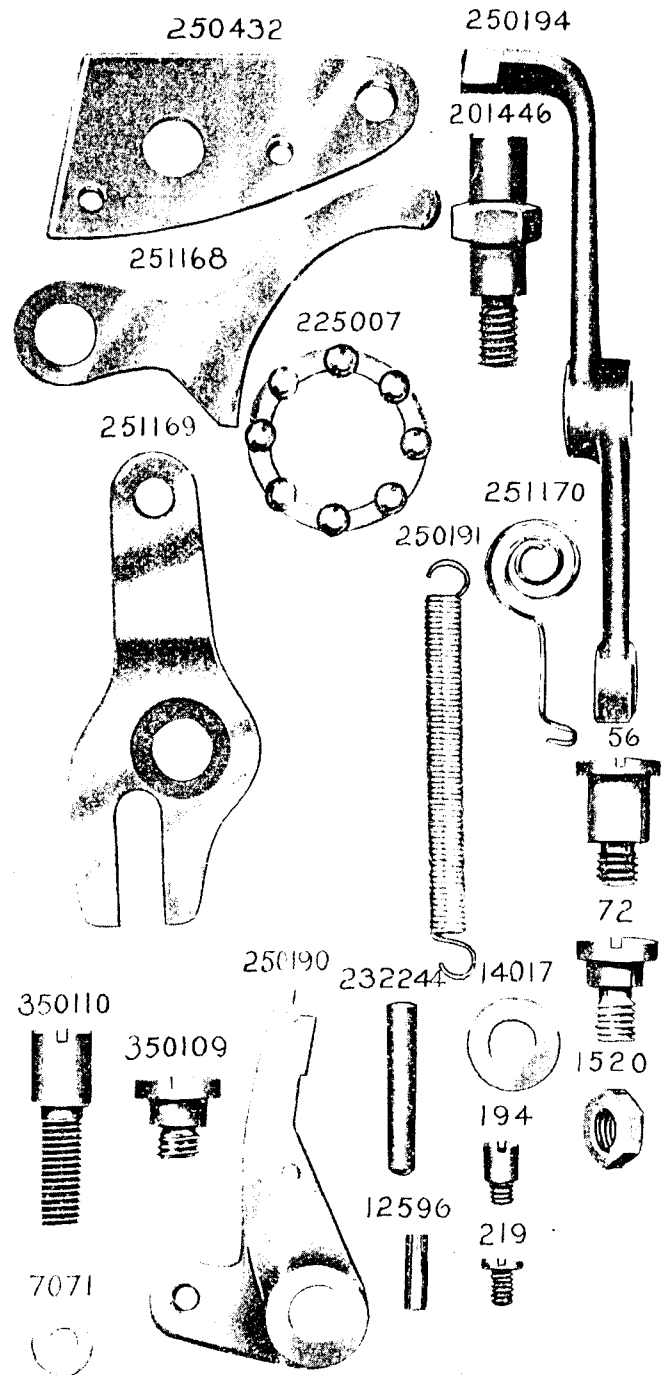


PLATE 13857—FULL SIZE

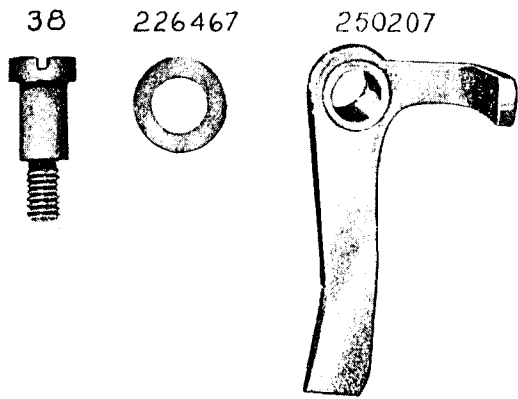


PLATE 13858—ONE-HALF SIZE

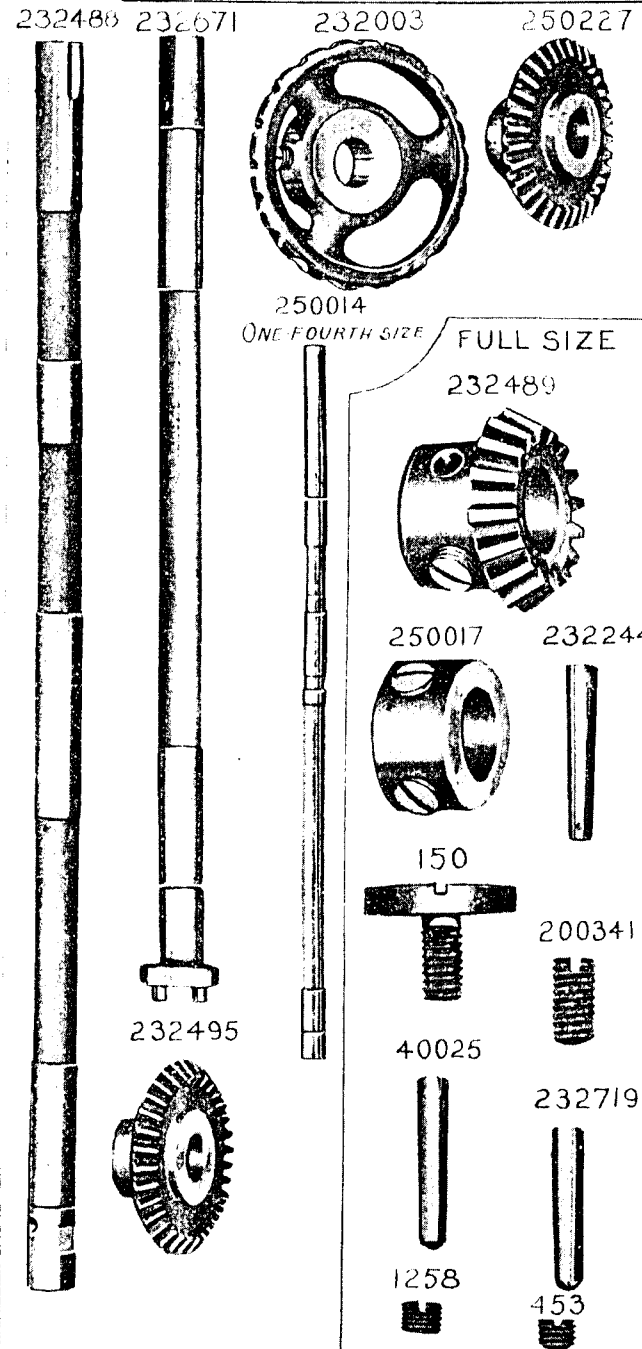


PLATE 13859—FULL SIZE

250418 250419 200097 250420

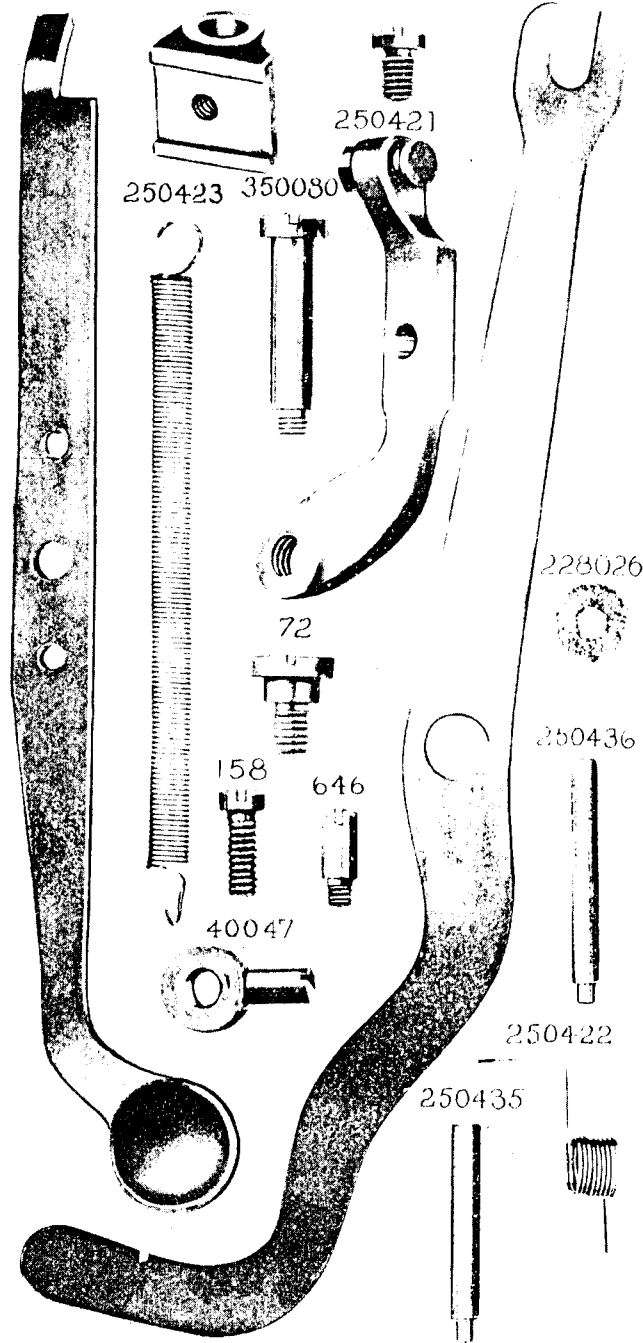


PLATE 13860—FULL SIZE

250199 ONE-HALF SIZE 250204 40043

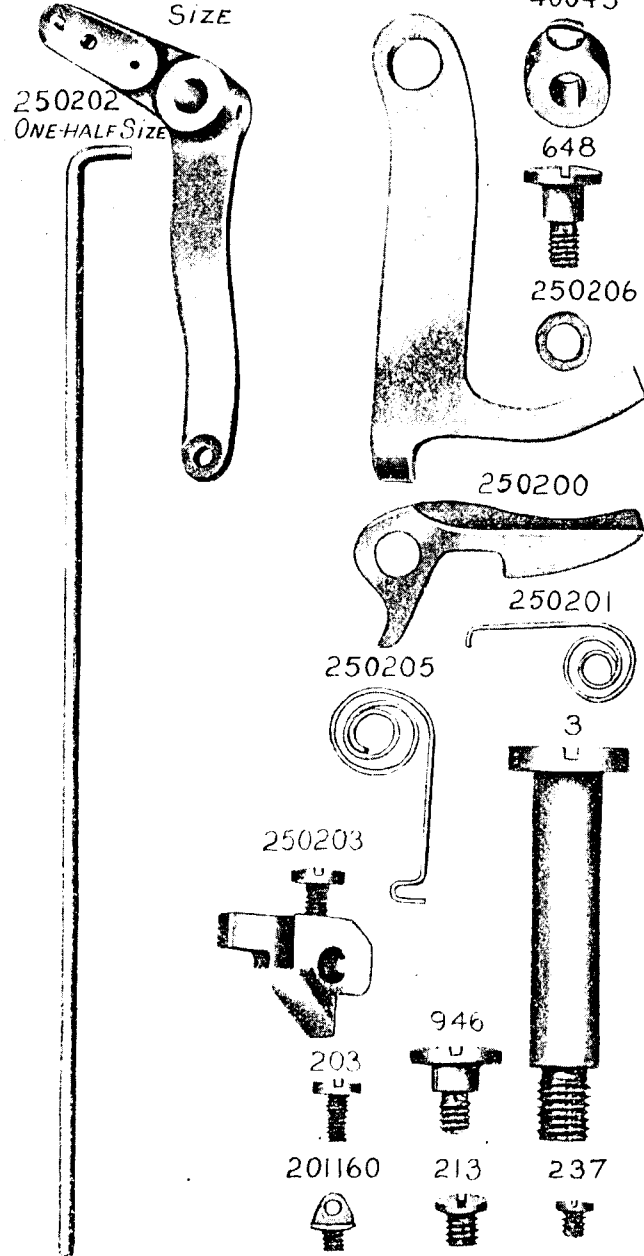
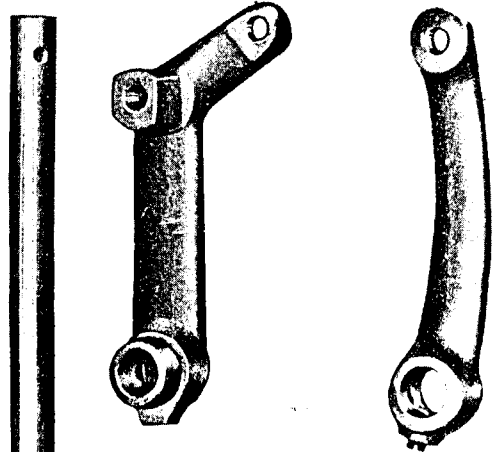
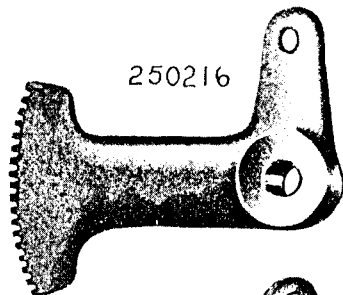


PLATE 13861—ONE-HALF SIZE

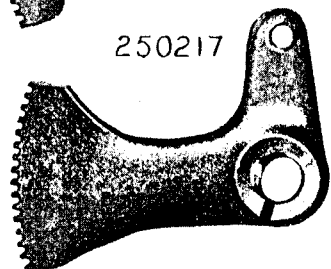
250394 250215 232591



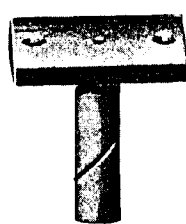
250216



250217



232599



232597

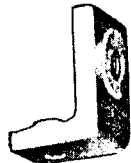


PLATE 13862—FULL SIZE

232808 232593 350066 40025

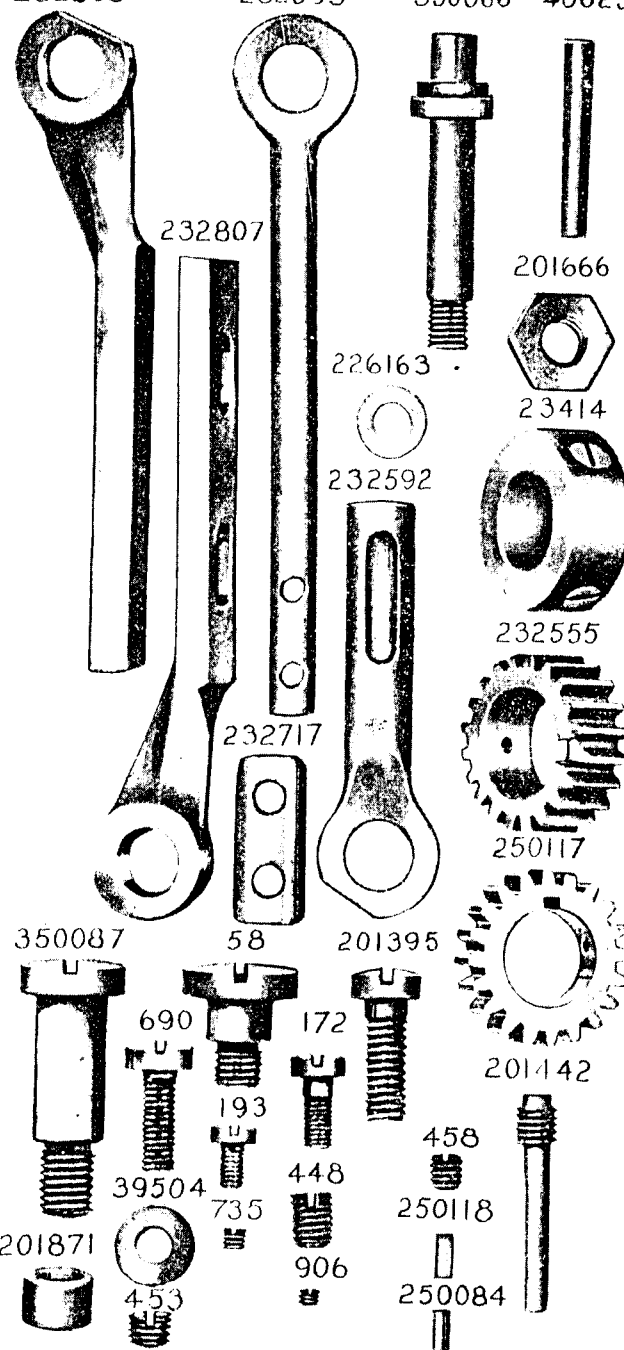


PLATE 13864—FULL SIZE

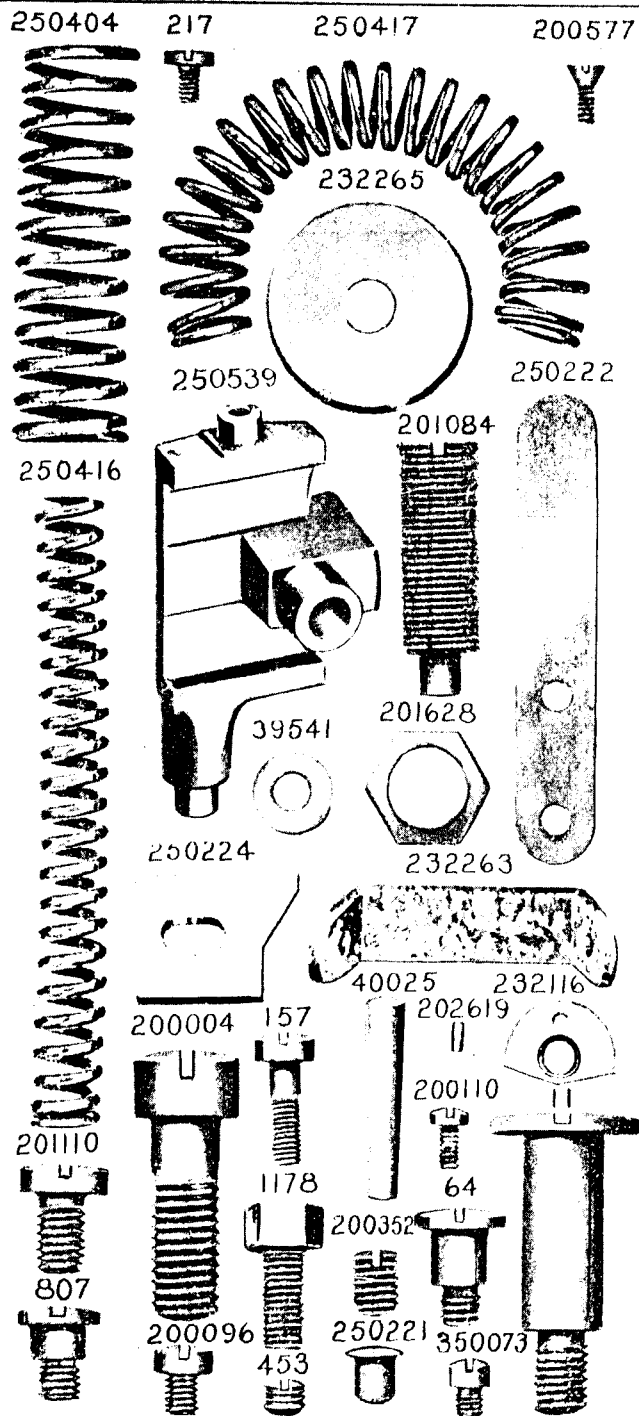


PLATE 13865—ONE-FOURTH SIZE

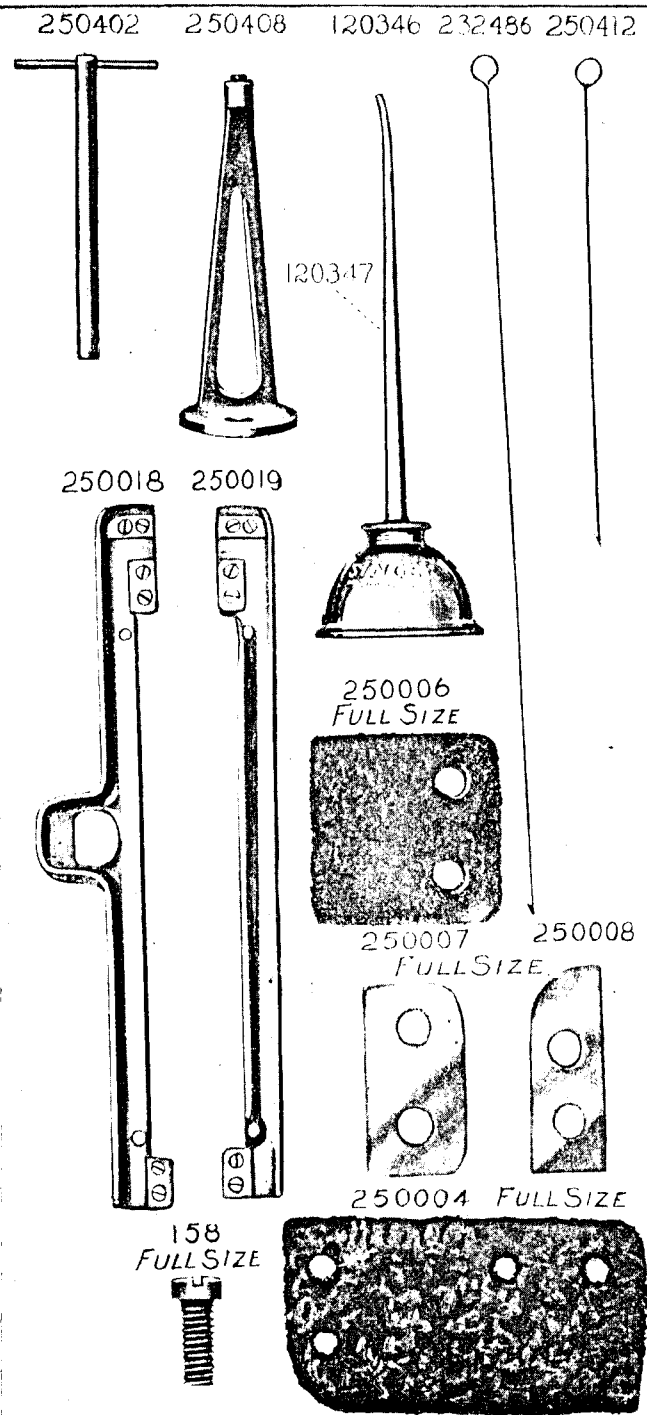


PLATE 13866—ONE-HALF SIZE

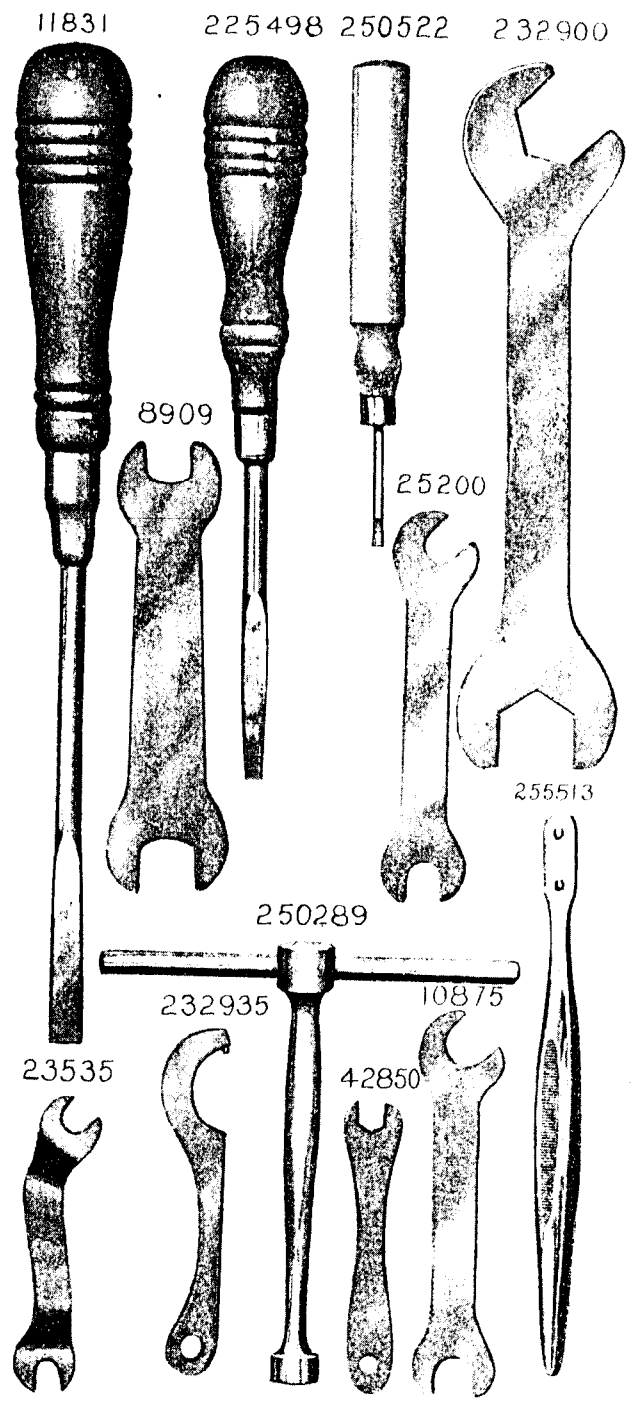


PLATE 13869—ONE-HALF SIZE

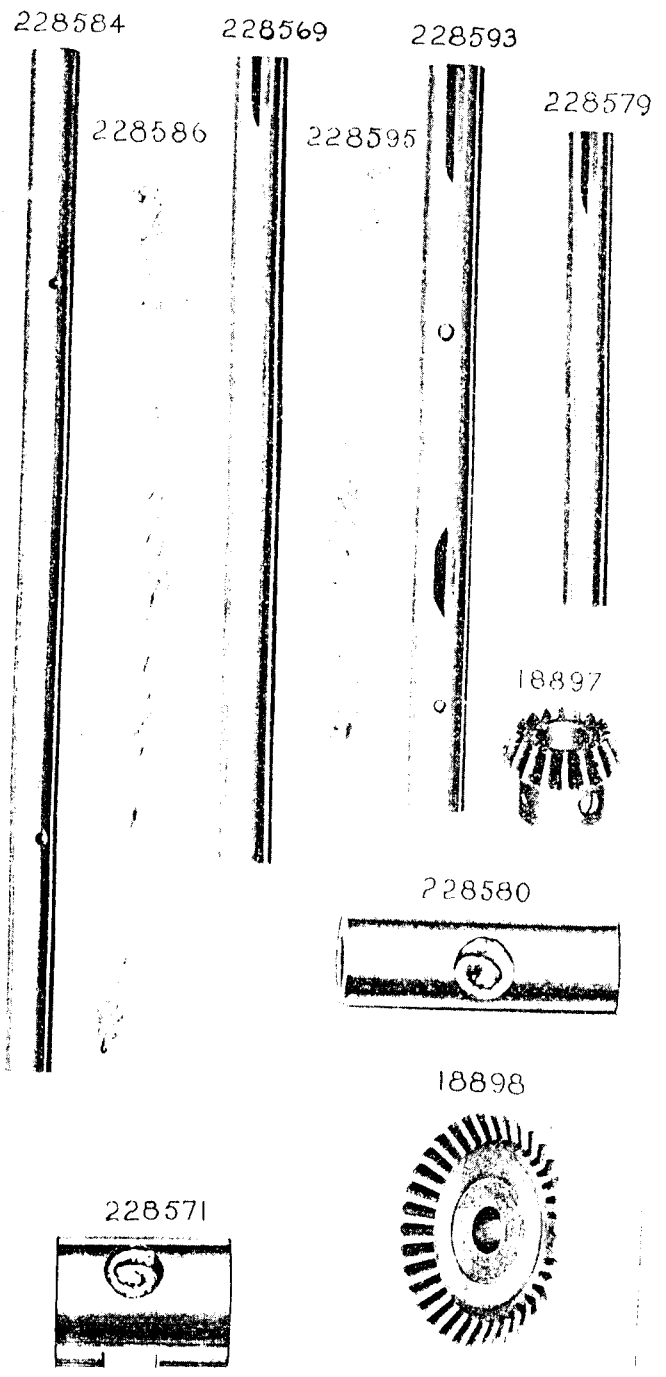


PLATE 13870—ONE-SIXTH SIZE

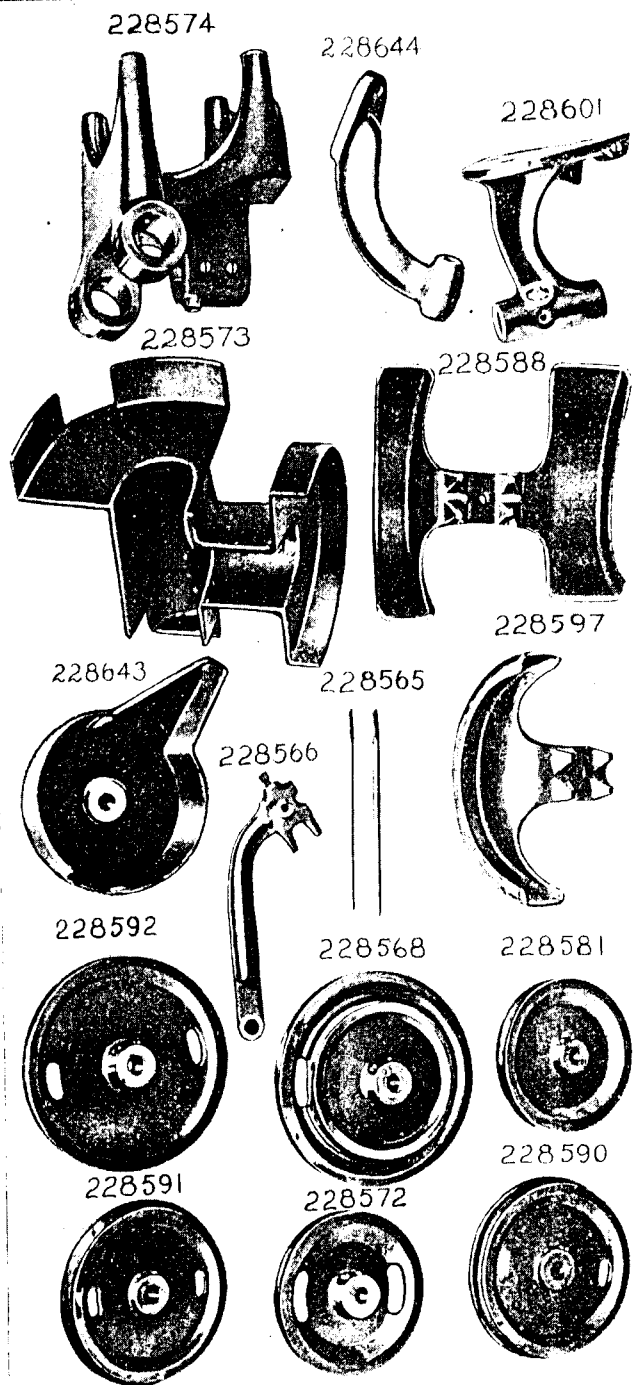


PLATE 13871—FULL SIZE

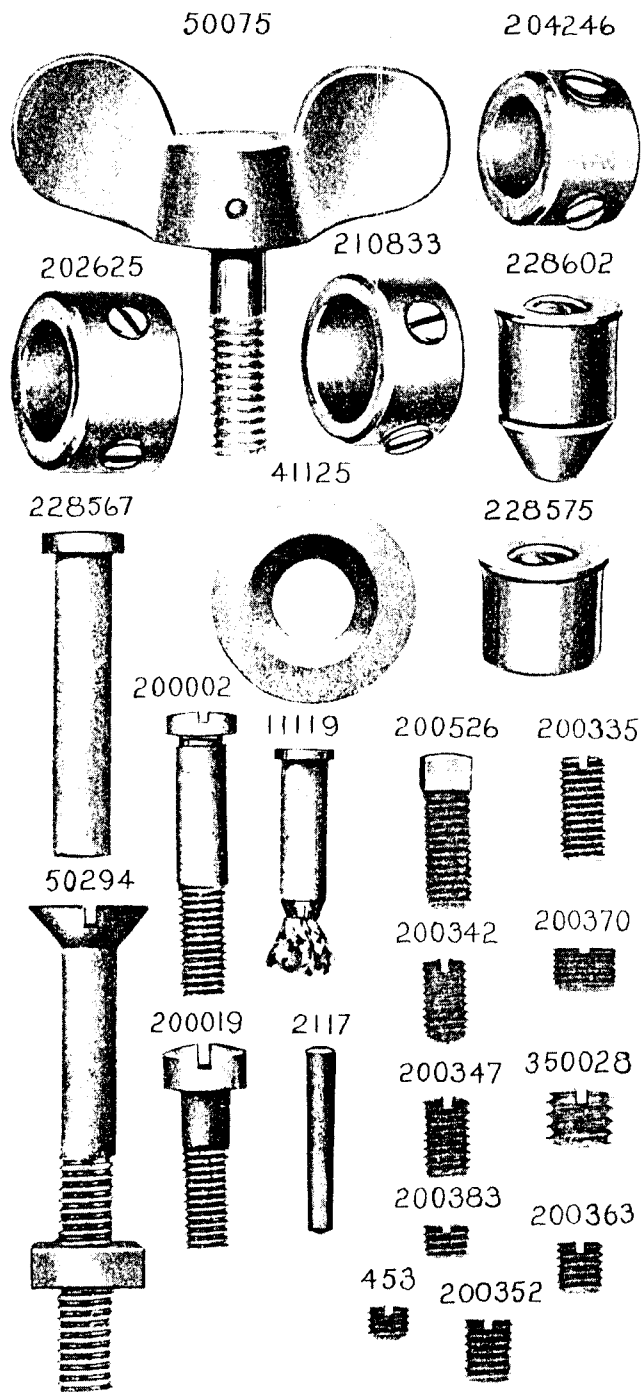
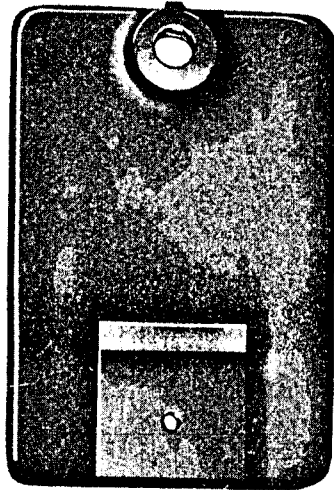


PLATE 13874—ONE-HALF SIZE

232870



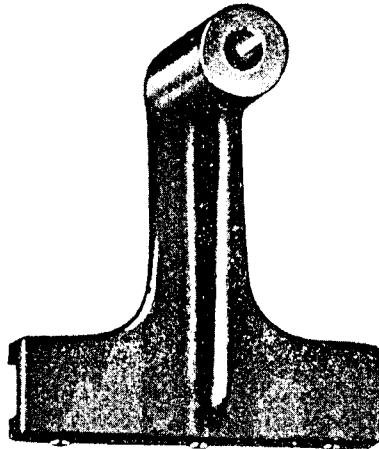
232876



232872



232874



59
FULL SIZE



232873



448
FULL SIZE

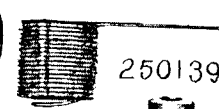


232877



PLATE 13875—FULL SIZE

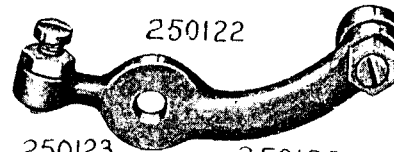
250129



250139



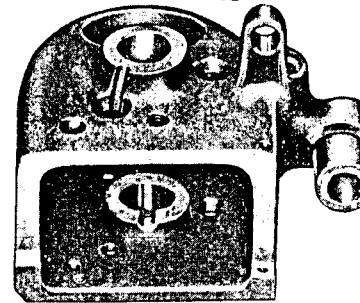
250122



250123

250128

ONE-HALF SIZE

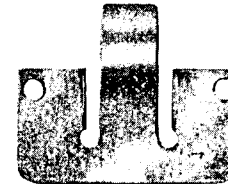


250130

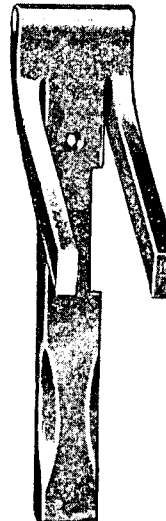


250132

250133

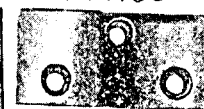
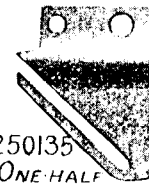


250131



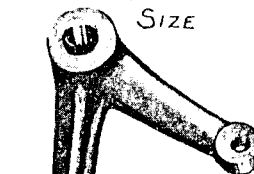
250134

250136



250135
ONE-HALF
SIZE

250177



250162
ONE-HALF SIZE



129



68

250437



PLATE 13883—FULL SIZE

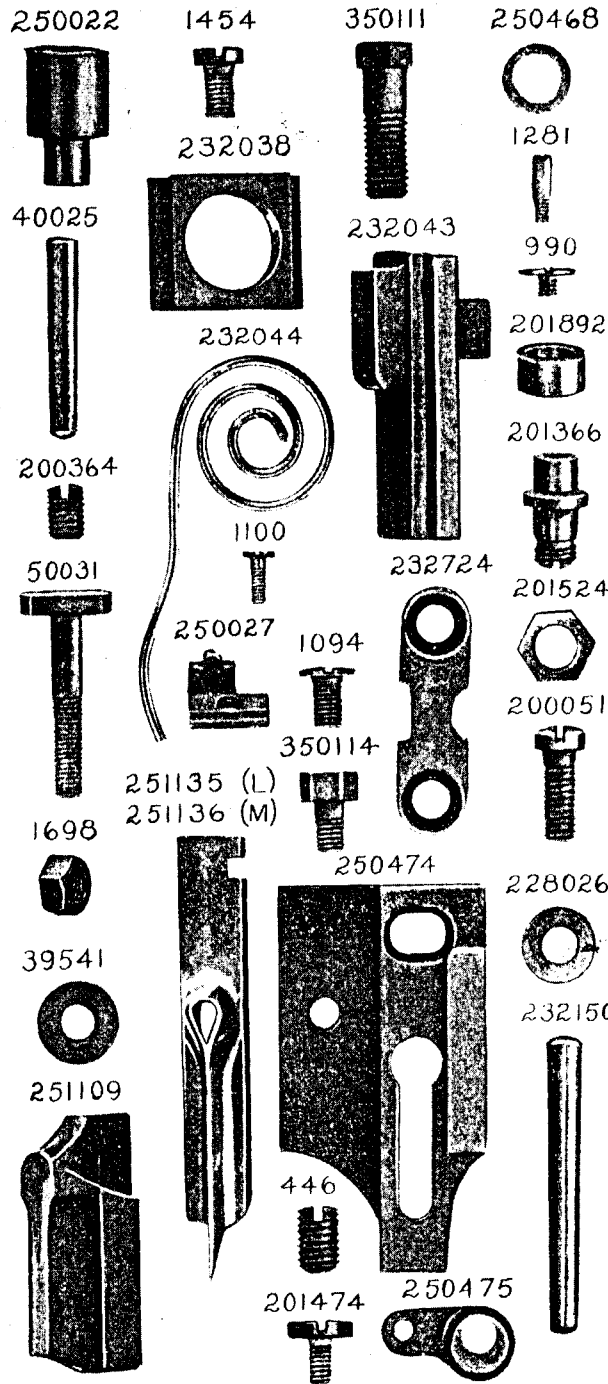


PLATE 13885—FULL SIZE

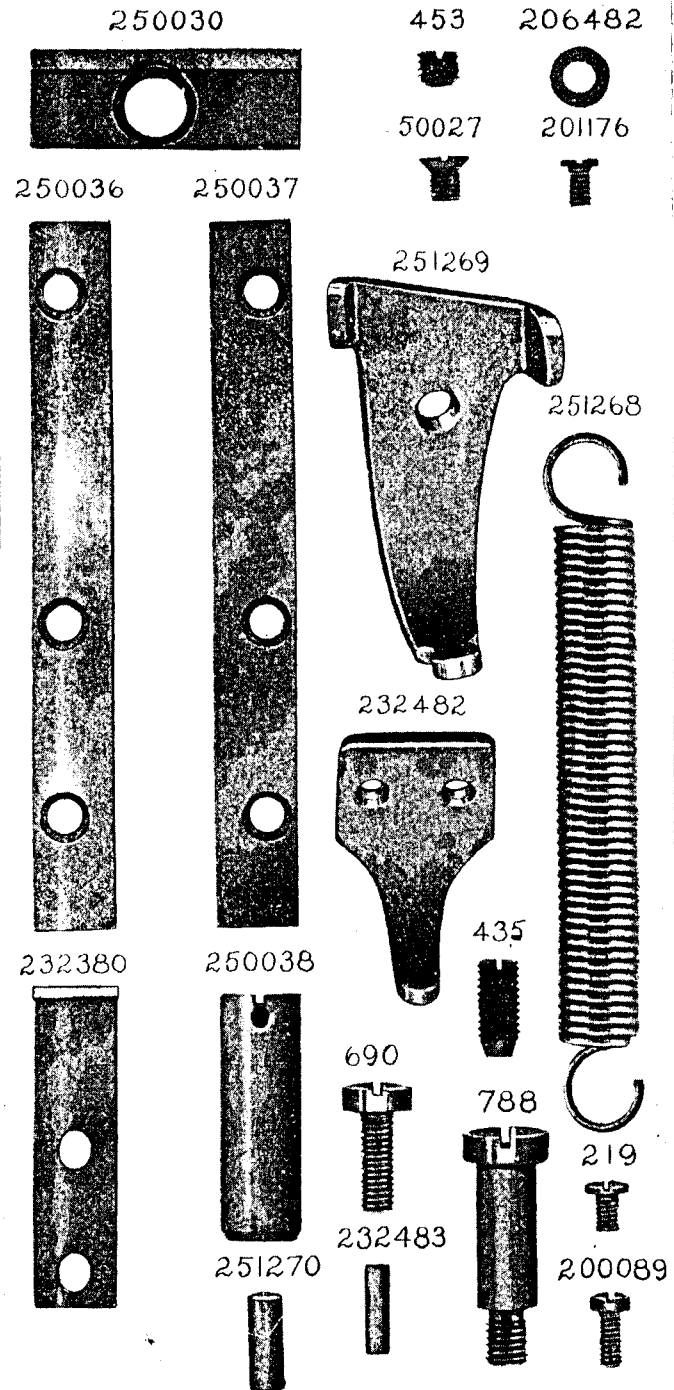


PLATE 13891—FULL SIZE

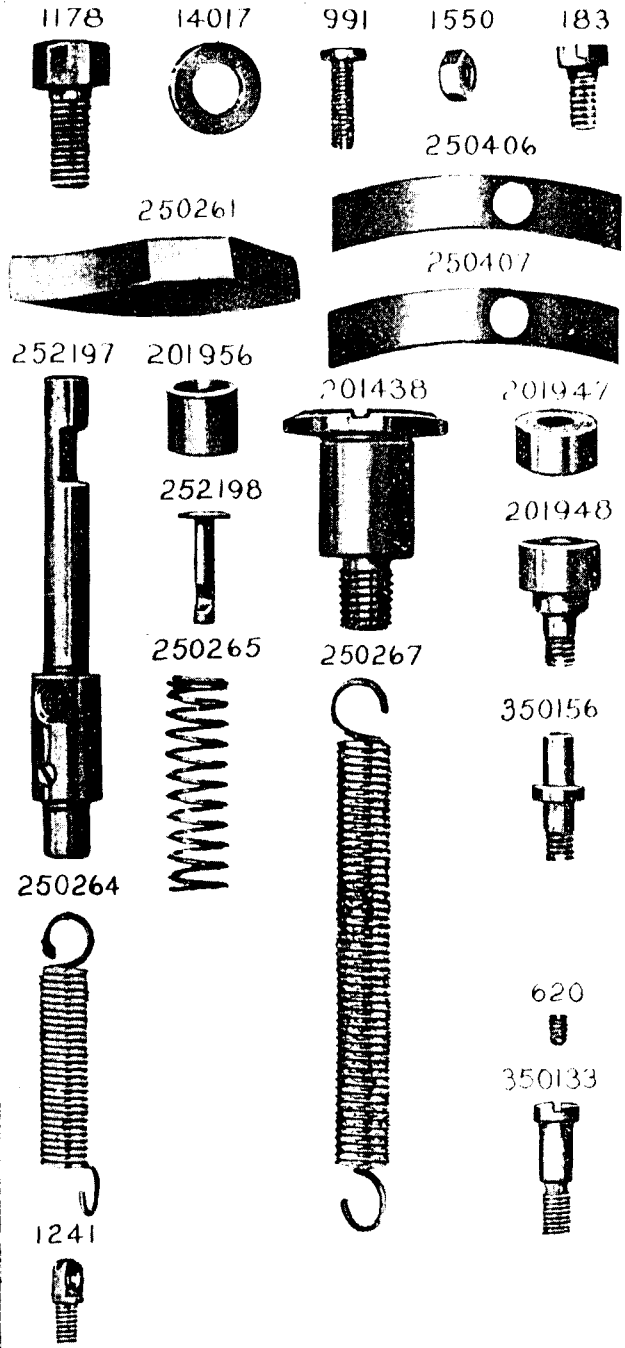


PLATE 13895—FULL SIZE

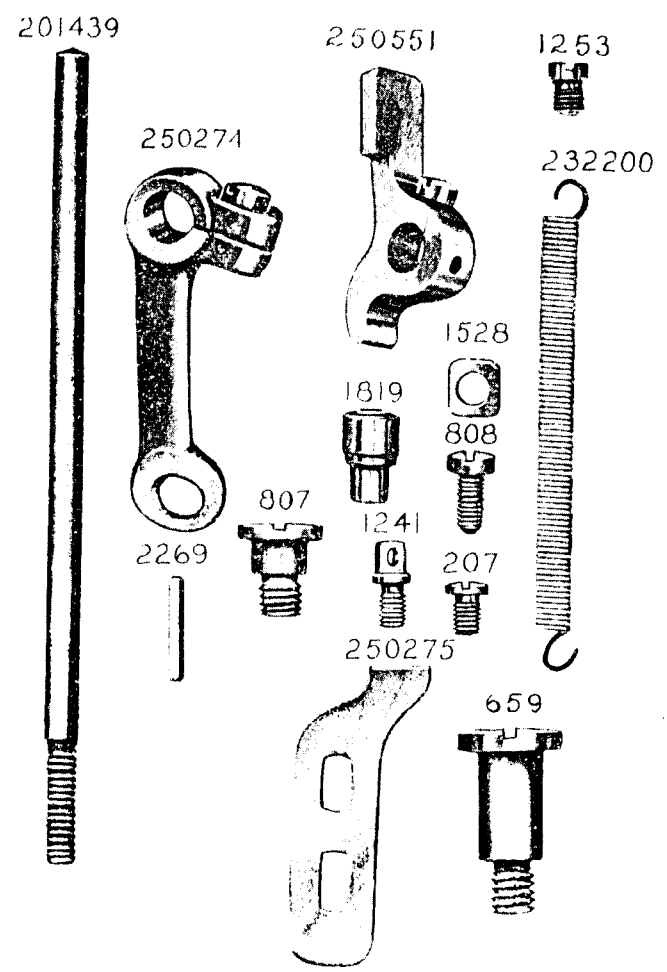


PLATE 13898—ONE-HALF SIZE

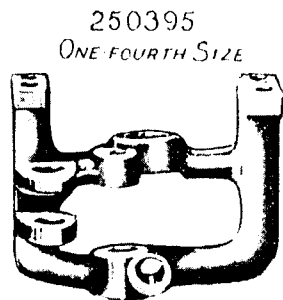
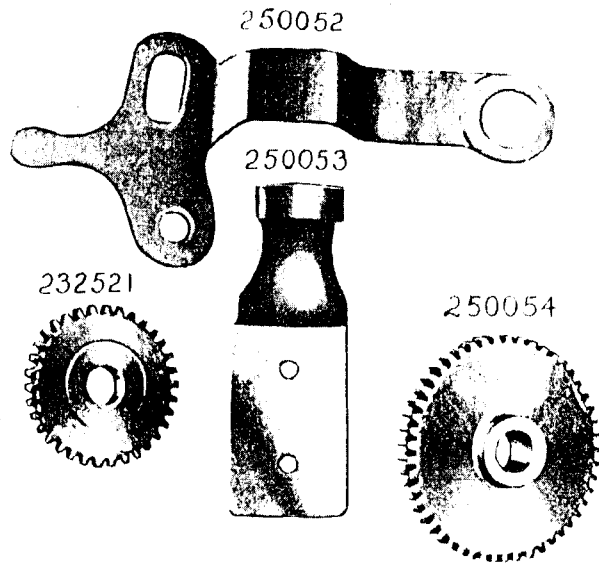


PLATE 13899—FULL SIZE

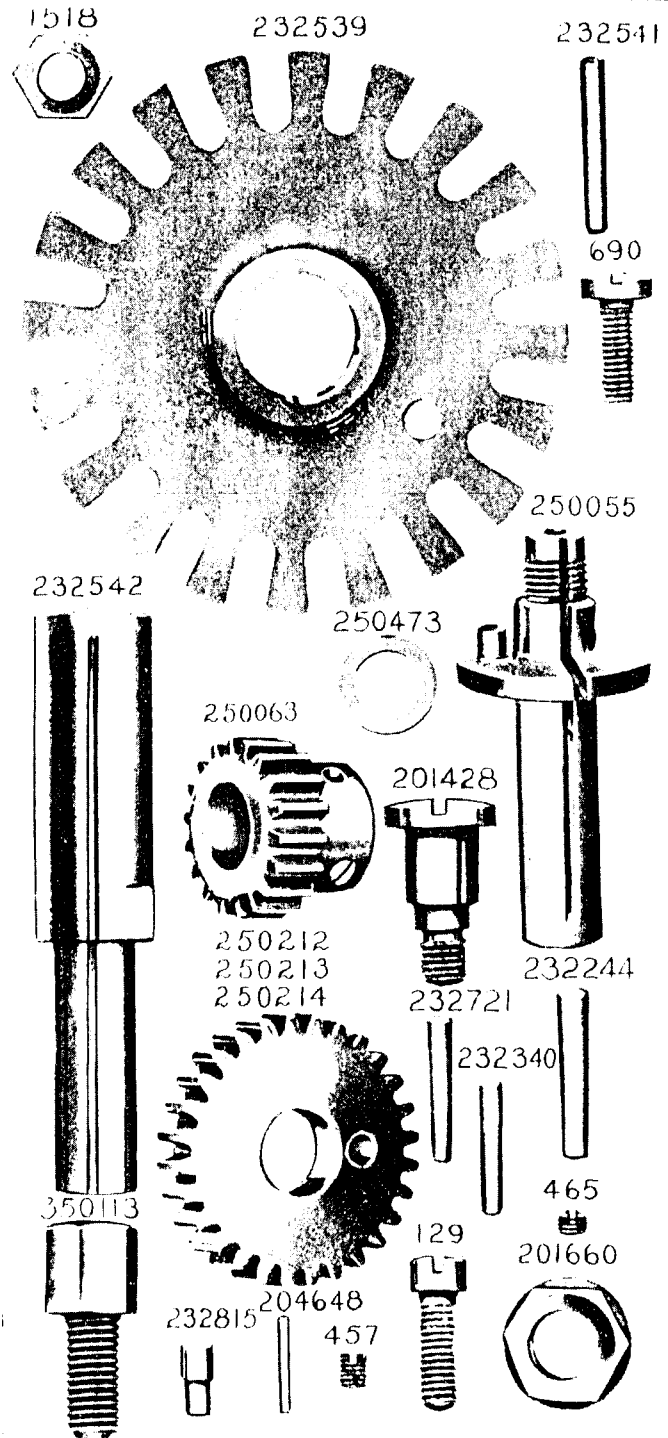


PLATE 13900—FULL SIZE

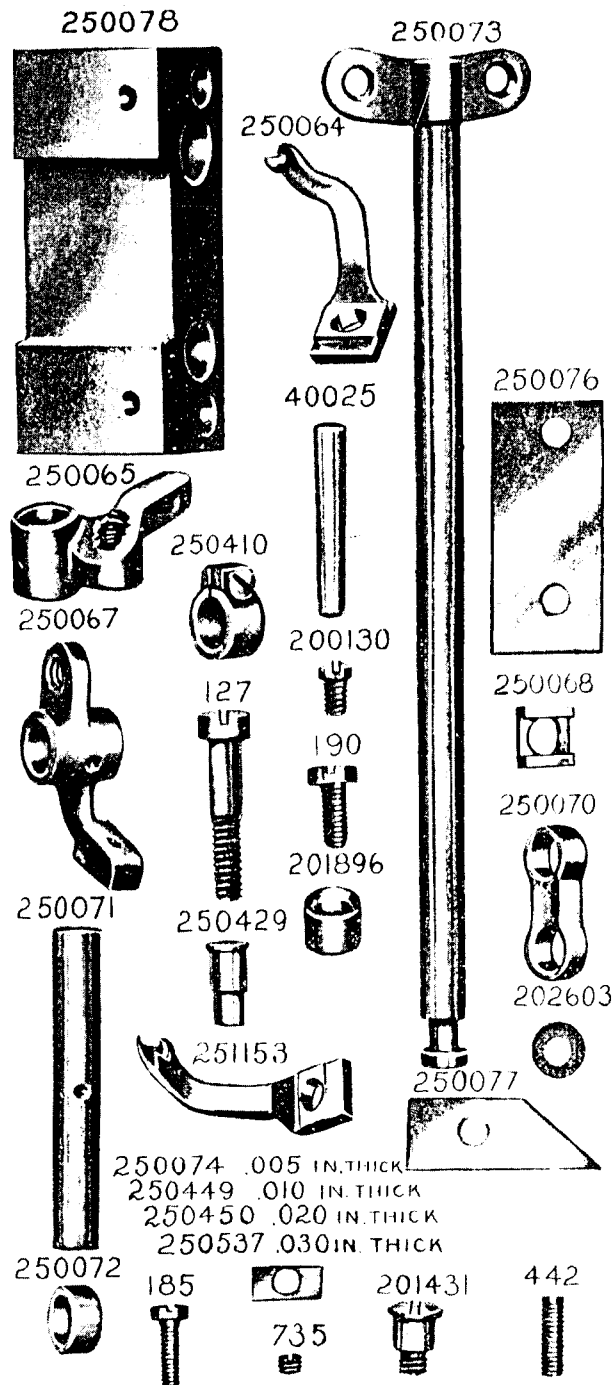


PLATE 13901—FULL SIZE

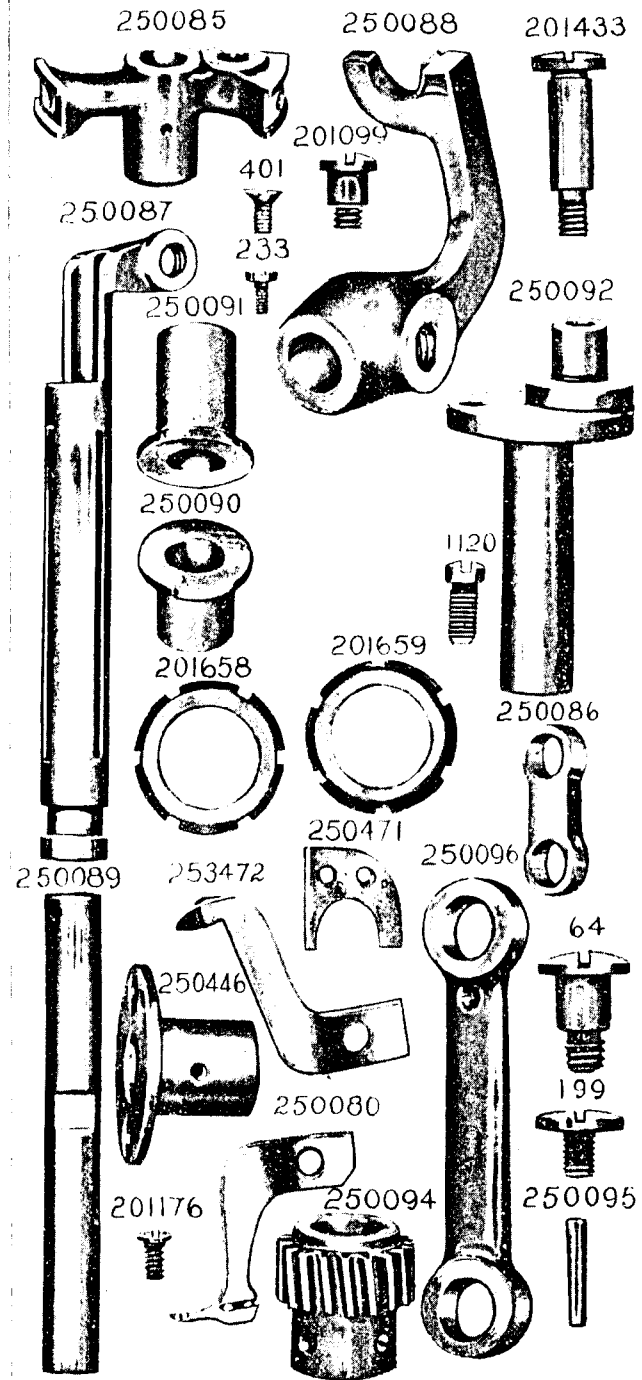


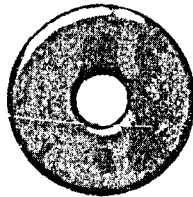
PLATE 13902—FULL SIZE

232516
ONE-FOURTH SIZE

1043



32012



250540



232515



232517



251368



171



250447



1560



250109

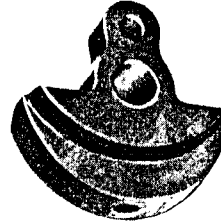


223



PLATE 13903—FULL SIZE

250105
ONE HALF SIZE



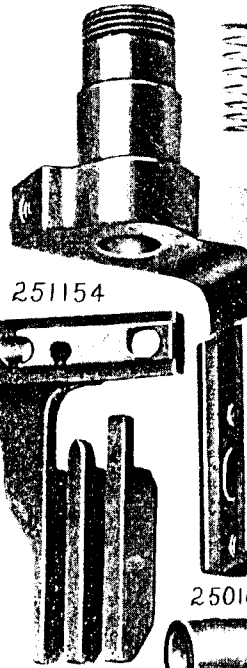
250106
ONE HALF SIZE



201225



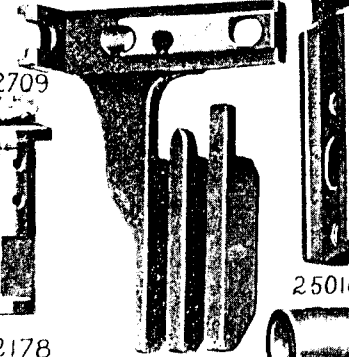
250112



251155



251154



232709



250108



232178



251215



201670



40025



904



201482



251214



232177



200382



201434



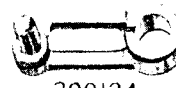
200394



250116



250114



250115



232176



200083



208



200124



PLATE 13904—FULL SIZE

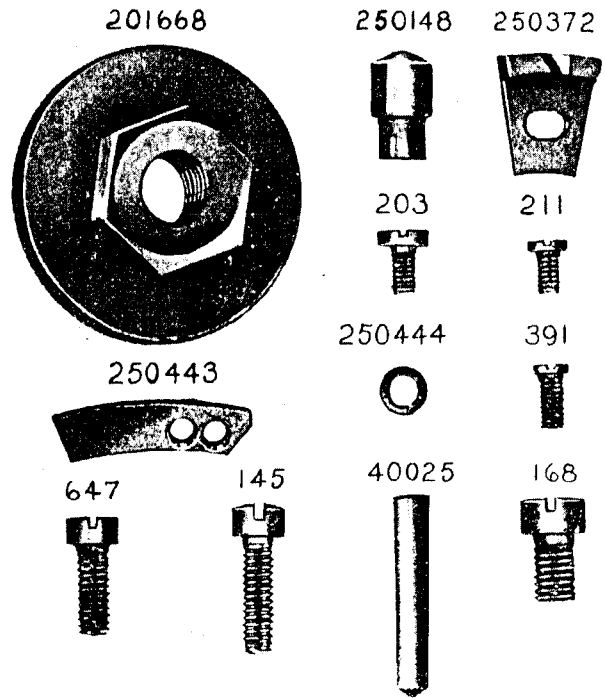


PLATE 13906—ONE-HALF SIZE

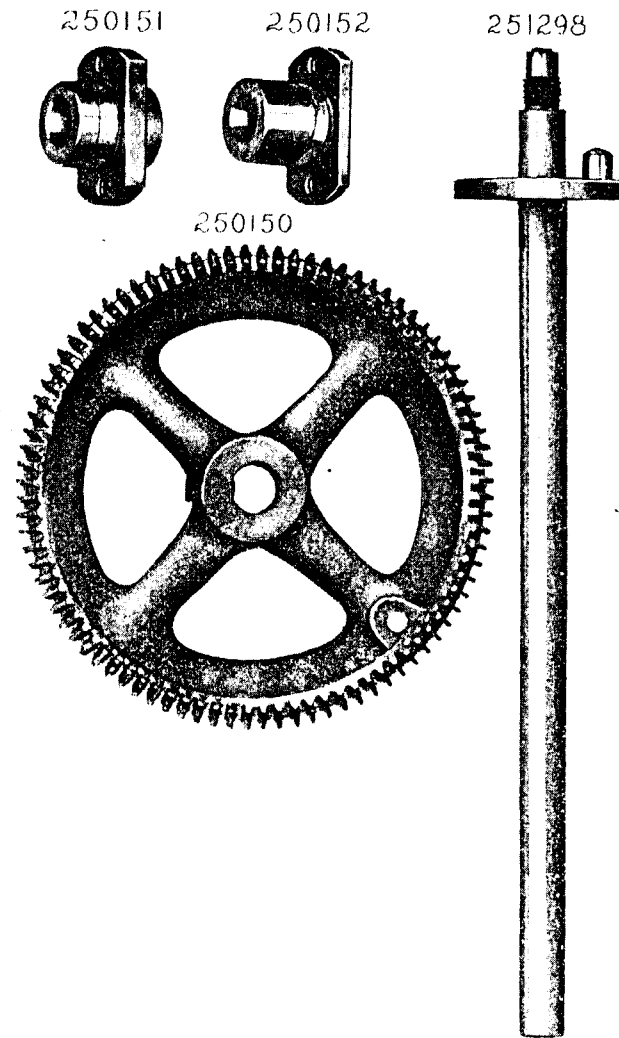


PLATE 13926—ONE-FOURTH SIZE

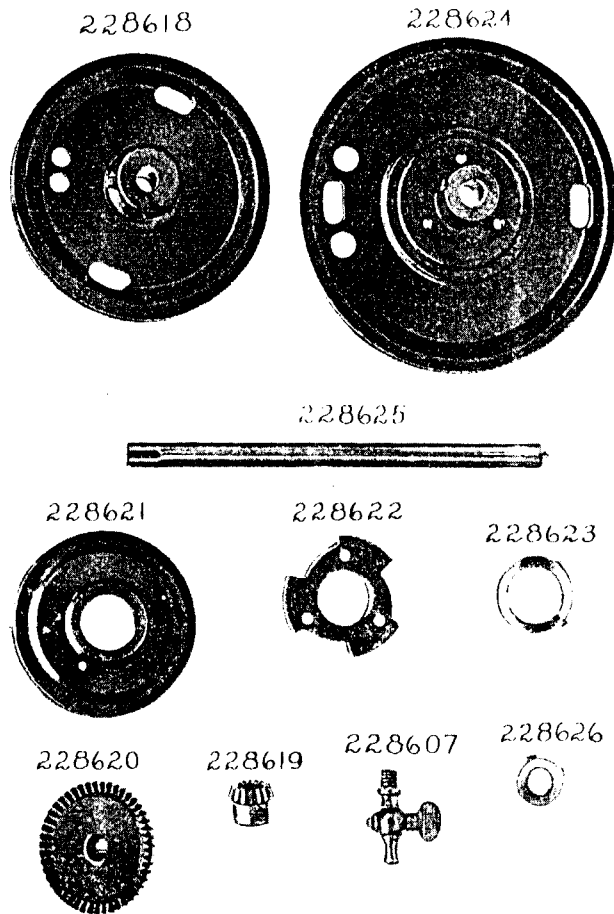


PLATE 13932—ONE-HALF SIZE

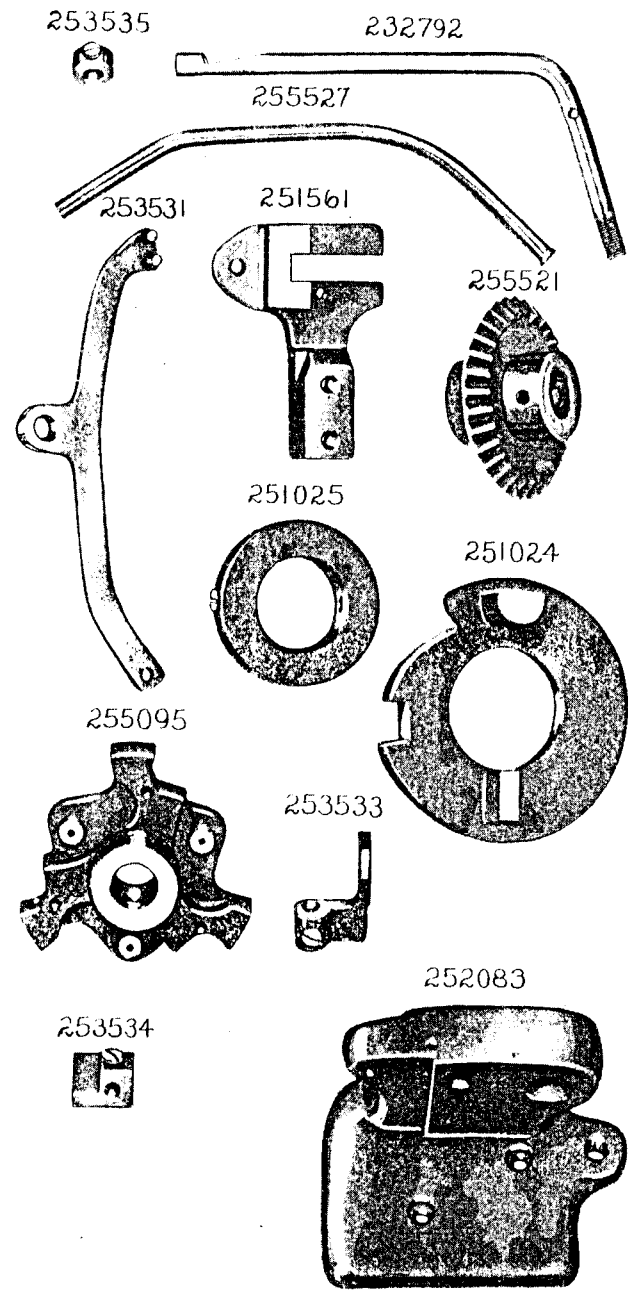
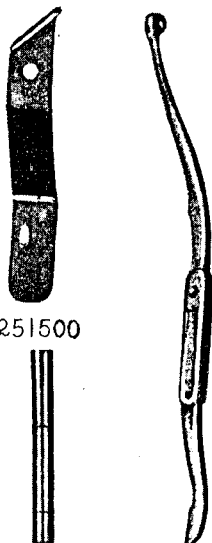
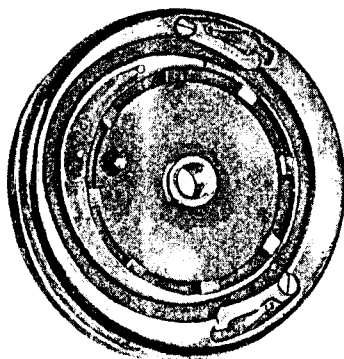


PLATE 13933—ONE-FOURTH SIZE

228632 255009



255020



251500



255010



253532



251026



251552

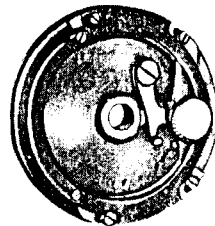
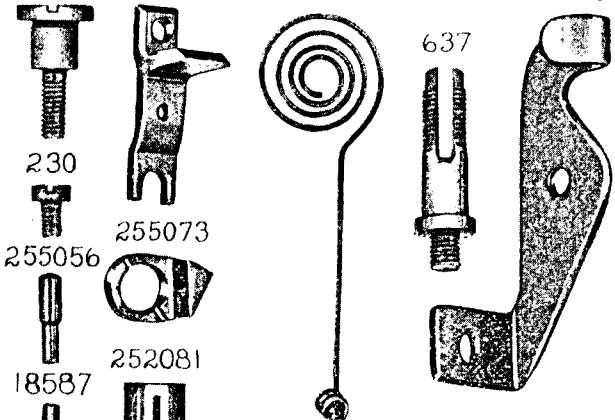


PLATE 13934—FULL SIZE

350224 255072 253152 253153



230



255073



255056



252081



18587



202



255007



10145



255004



250119



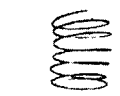
1664



10106



39713



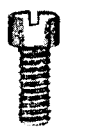
996



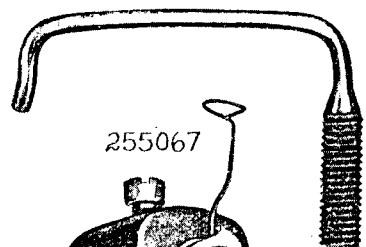
252082



159



253629



255067



255006



637

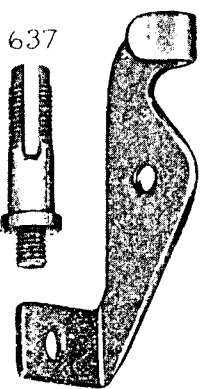


PLATE 13935—ONE-HALF SIZE

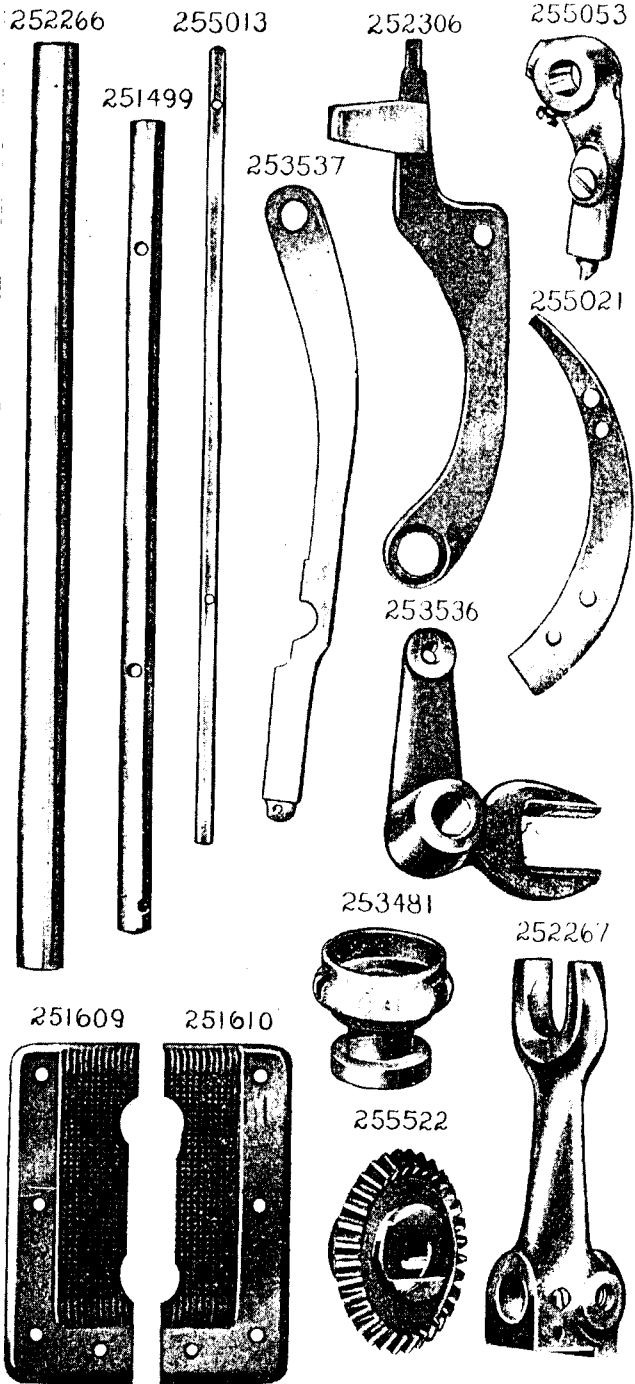


PLATE 13936—FULL SIZE

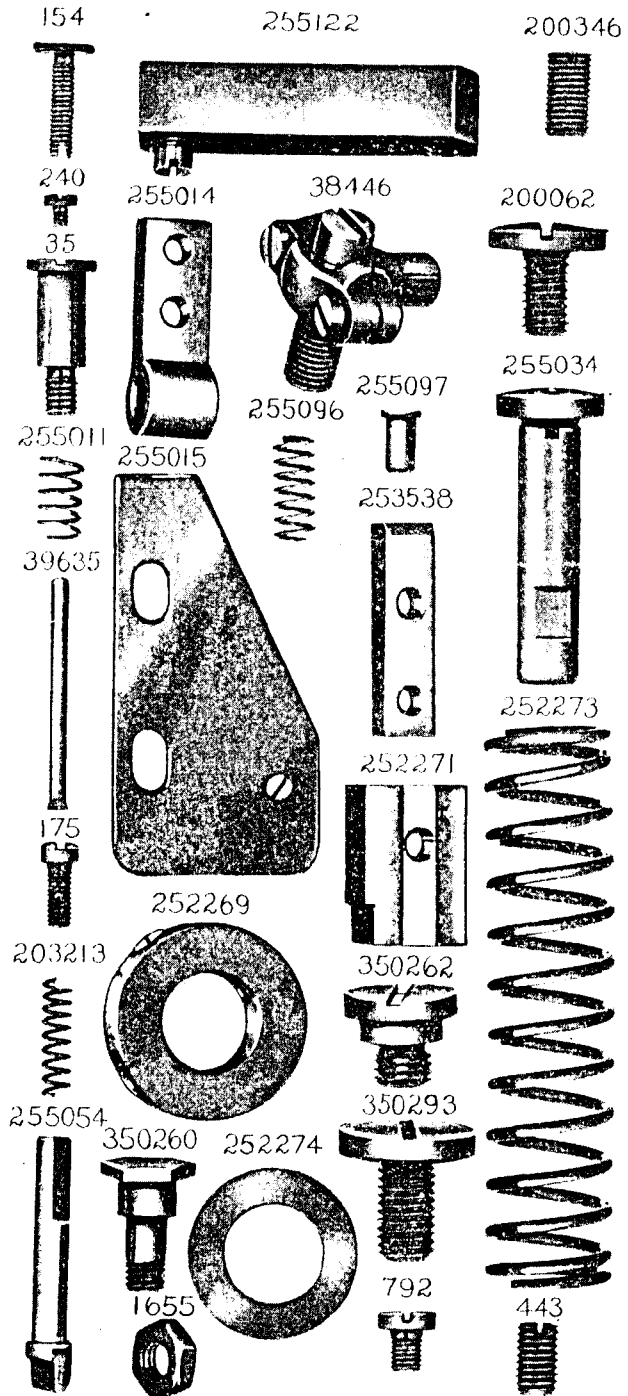


PLATE 13937—FULL SIZE

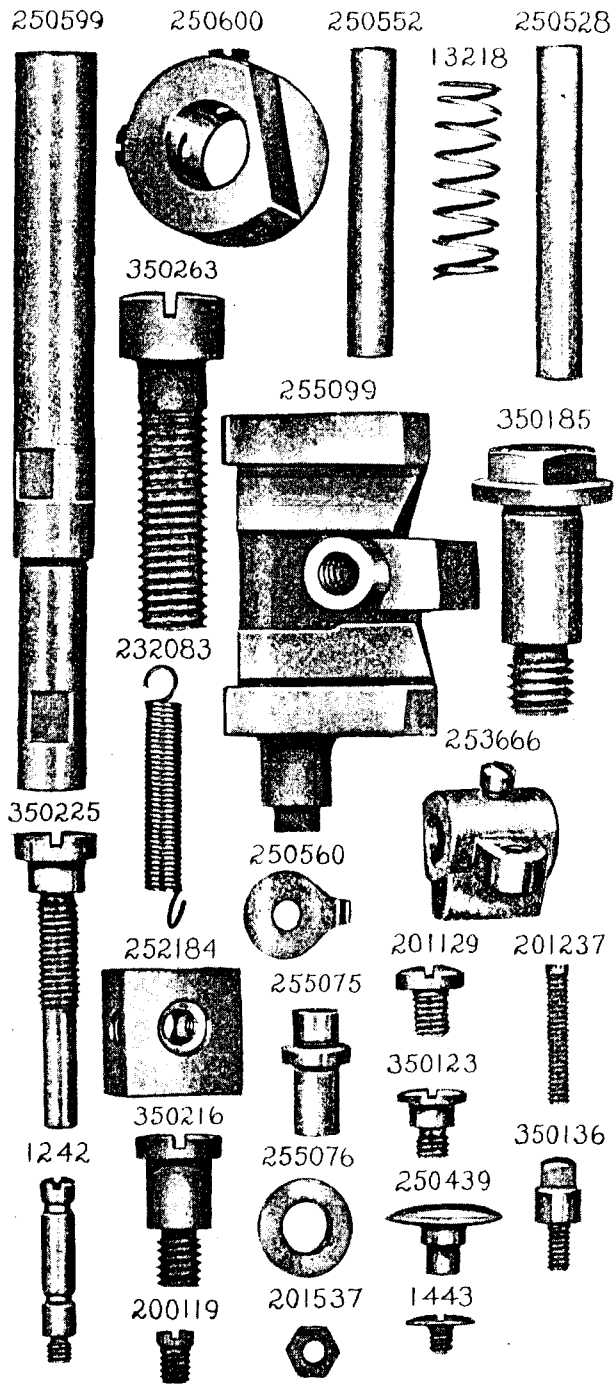


PLATE 13938—FULL SIZE

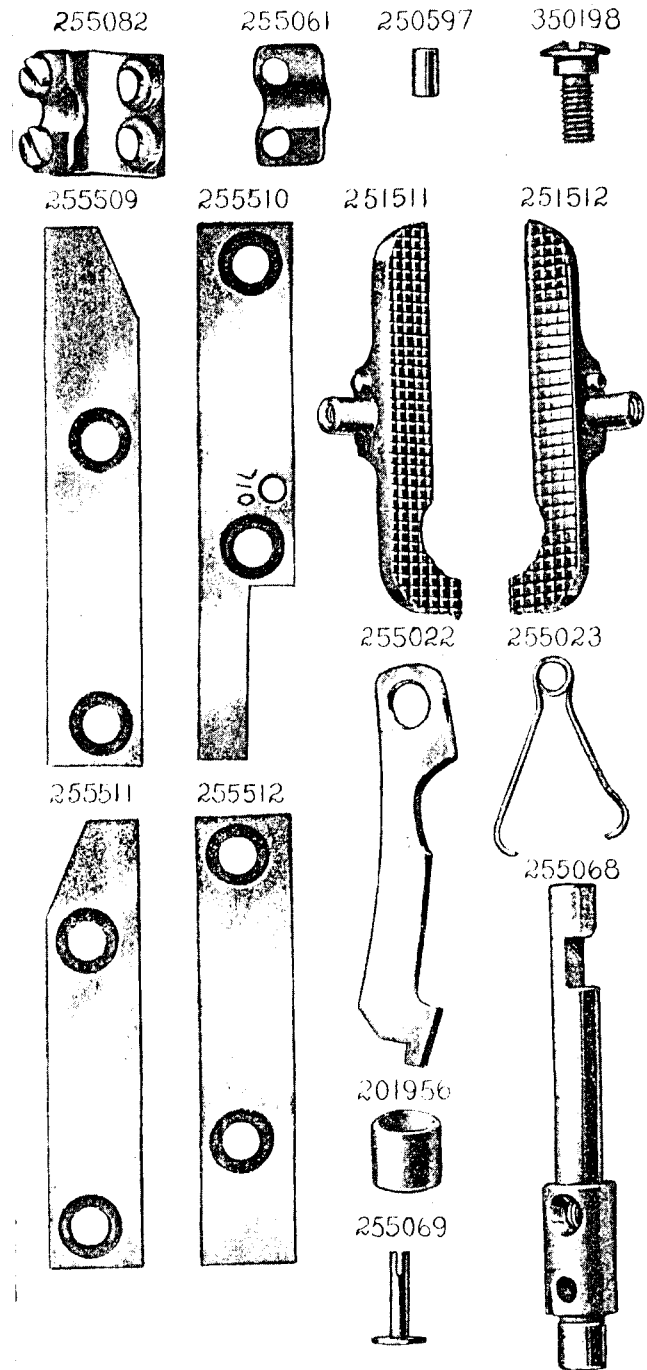


PLATE 13939—FULL SIZE

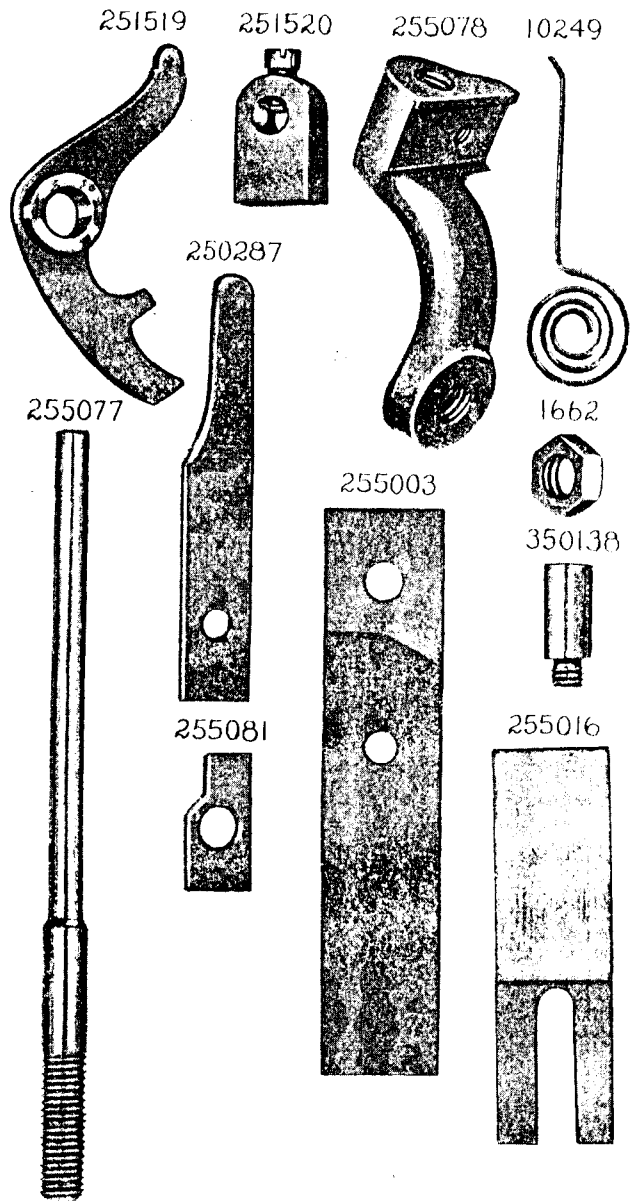


PLATE 13940—ONE-HALF SIZE

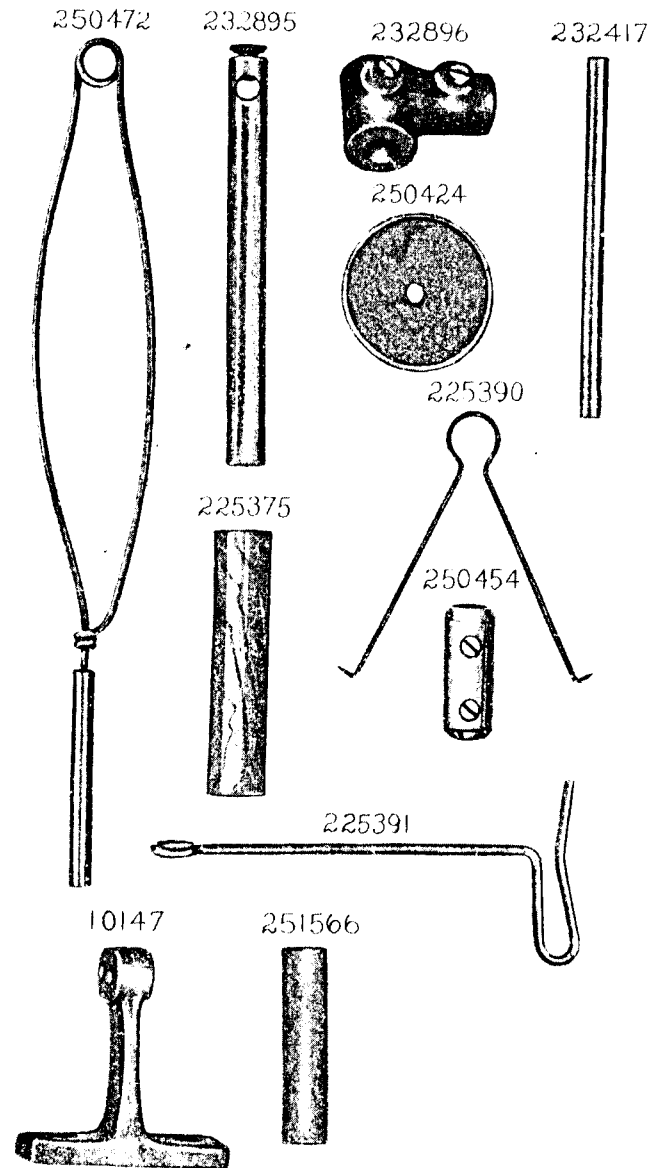


PLATE 13941—FULL SIZE

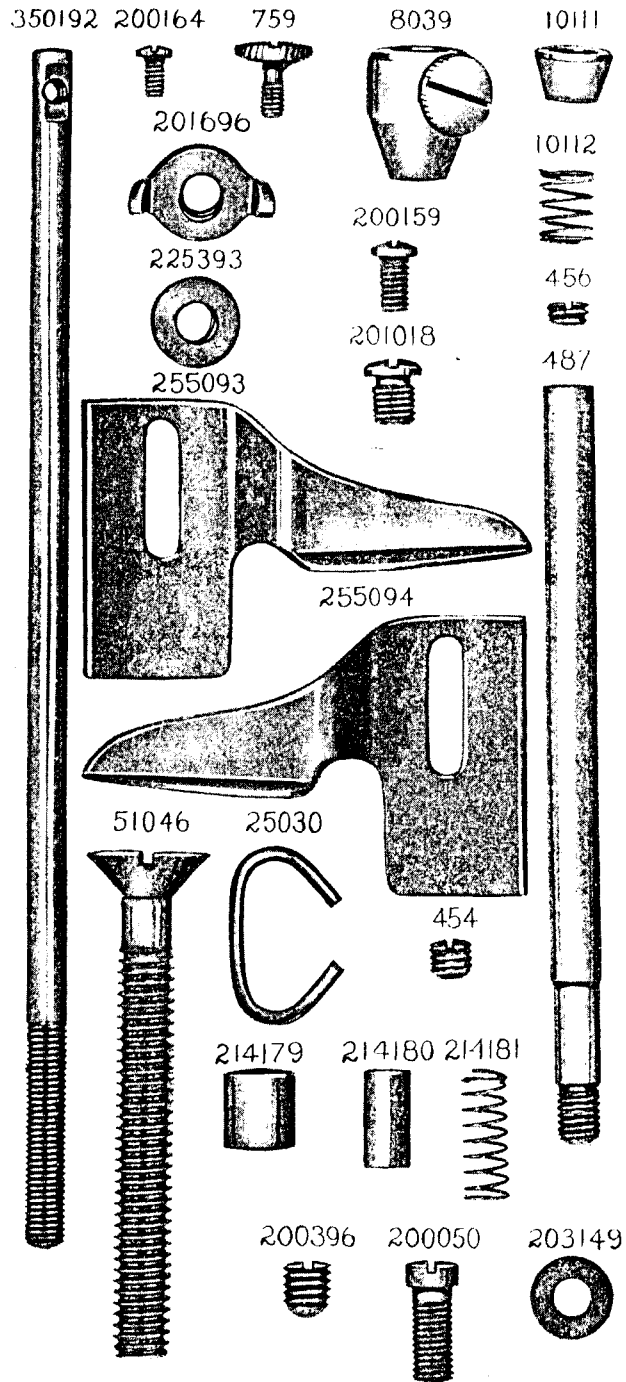


PLATE 13942—FULL SIZE

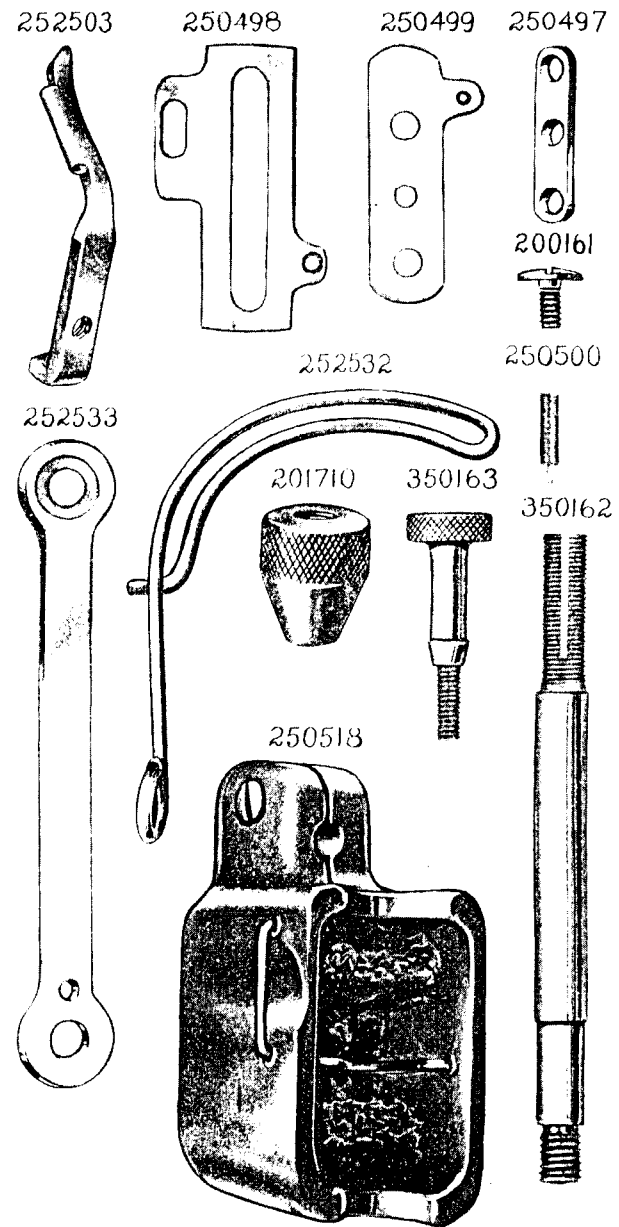


PLATE 13944—ONE-FOURTH SIZE

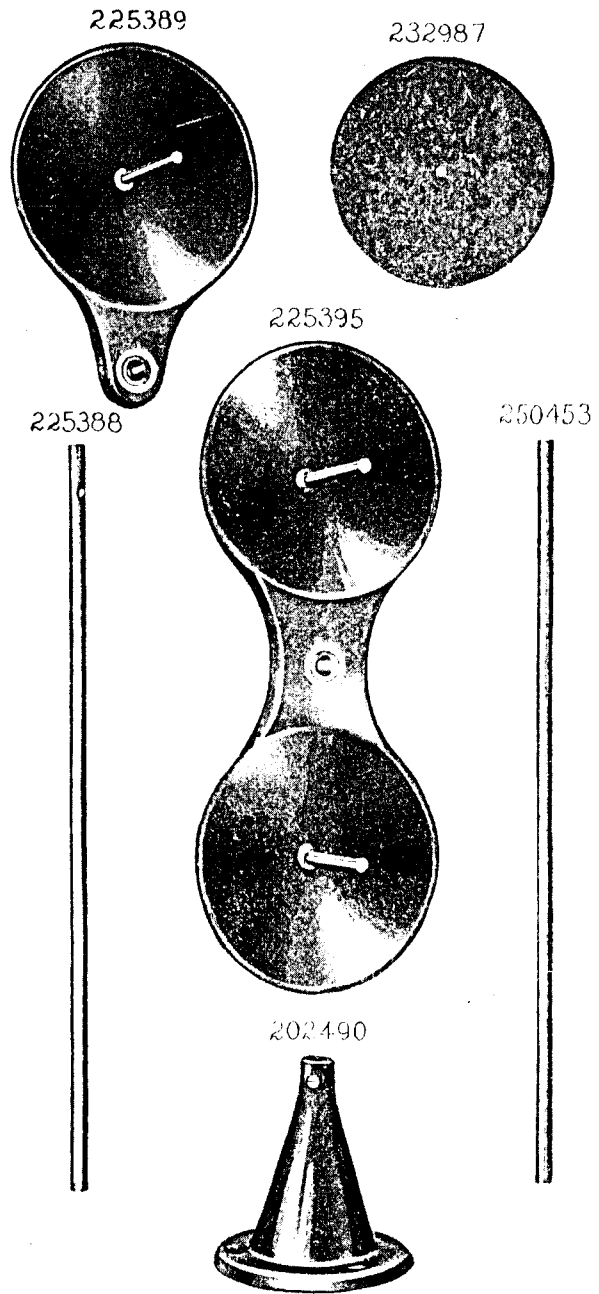


PLATE 13953—FULL SIZE

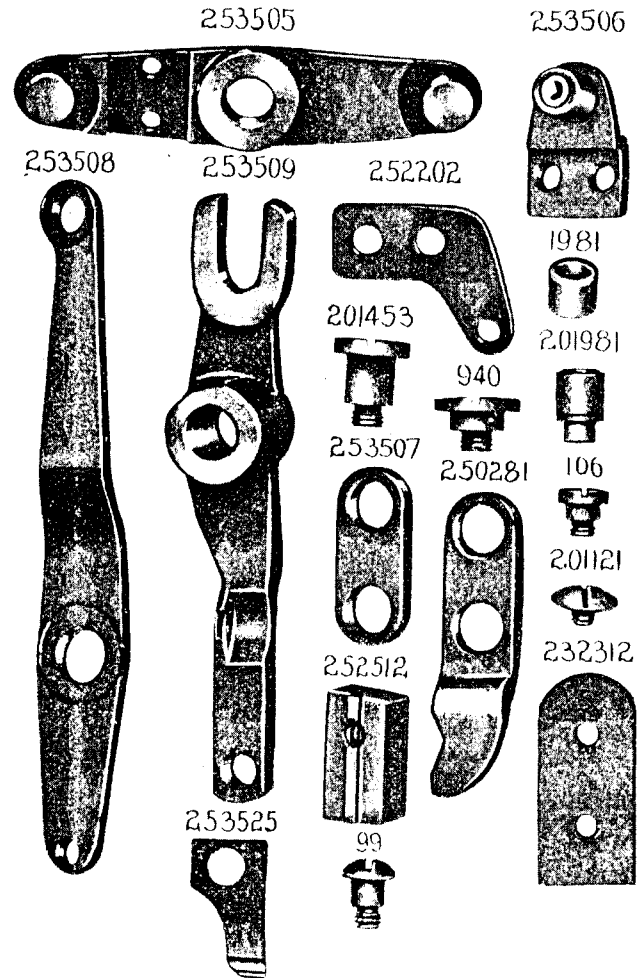


PLATE 13957—ONE-FOURTH SIZE

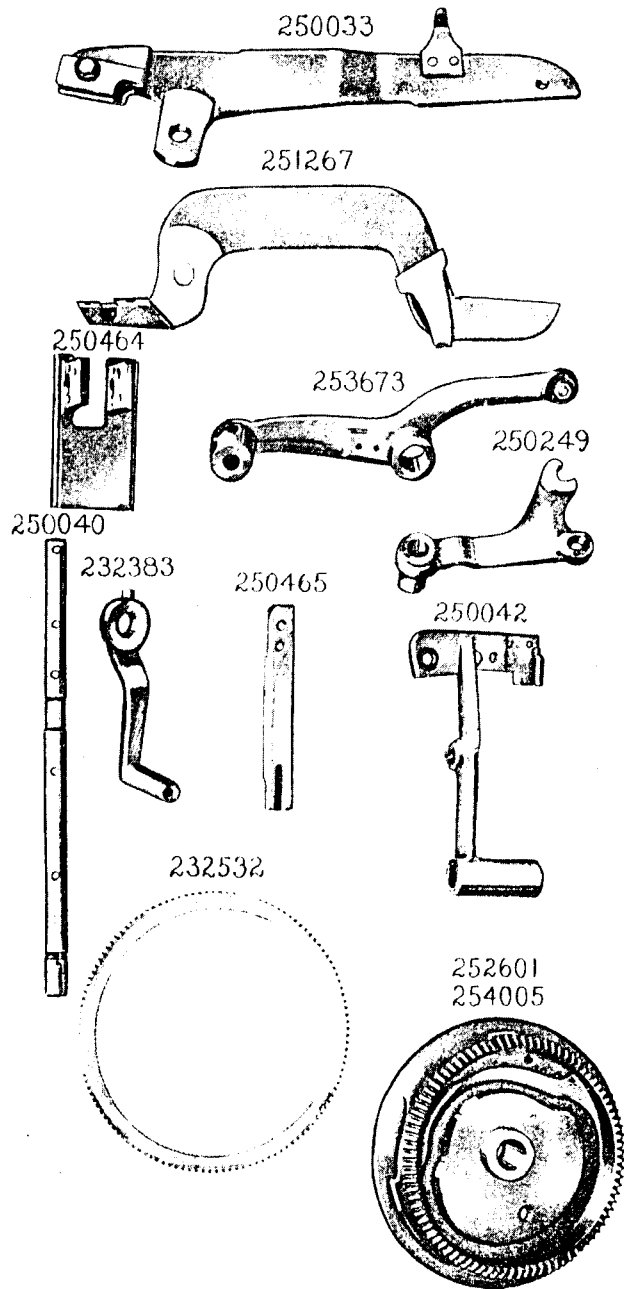


PLATE 13972—FULL SIZE

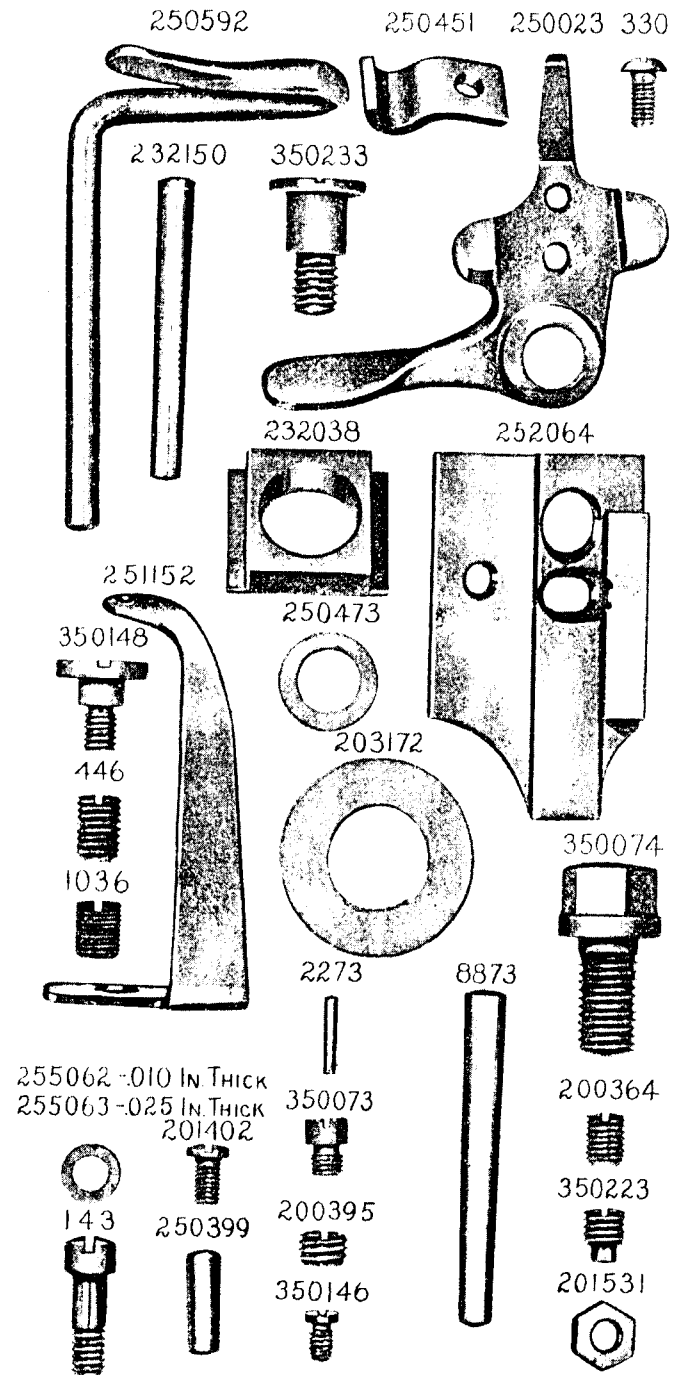


PLATE 13973—ONE-HALF SIZE

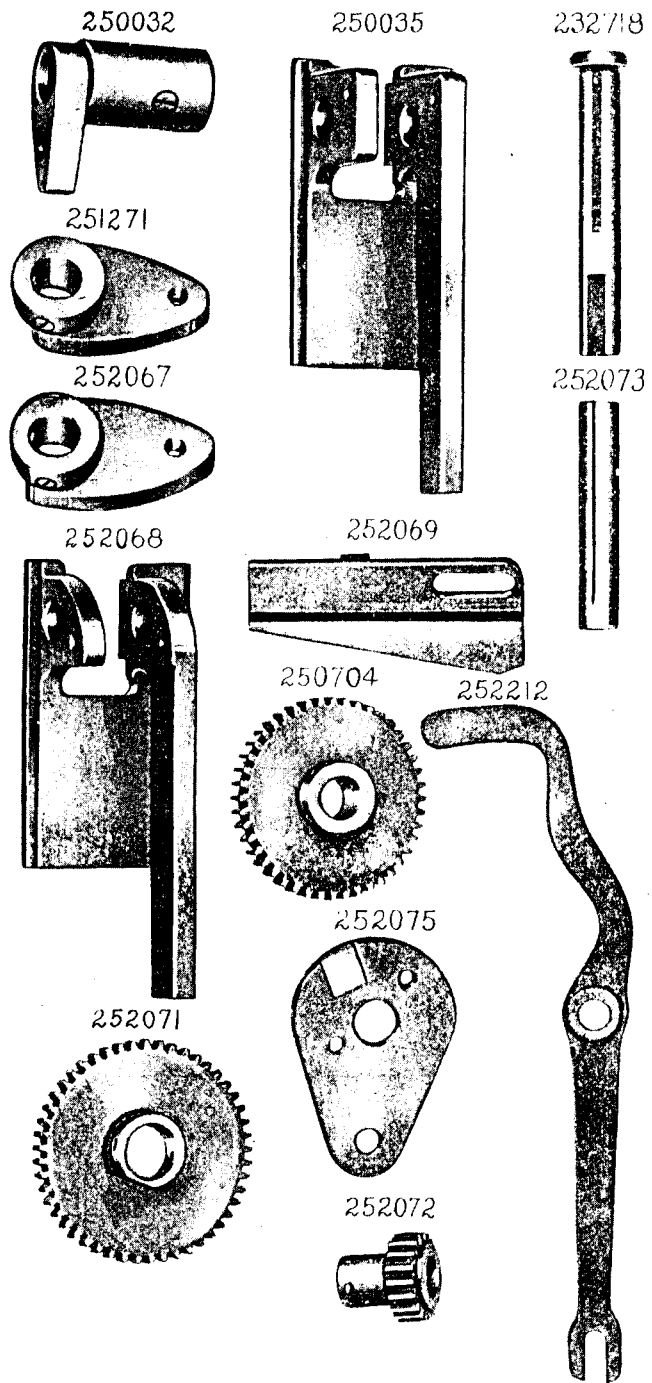


PLATE 13974—ONE-FOURTH SIZE

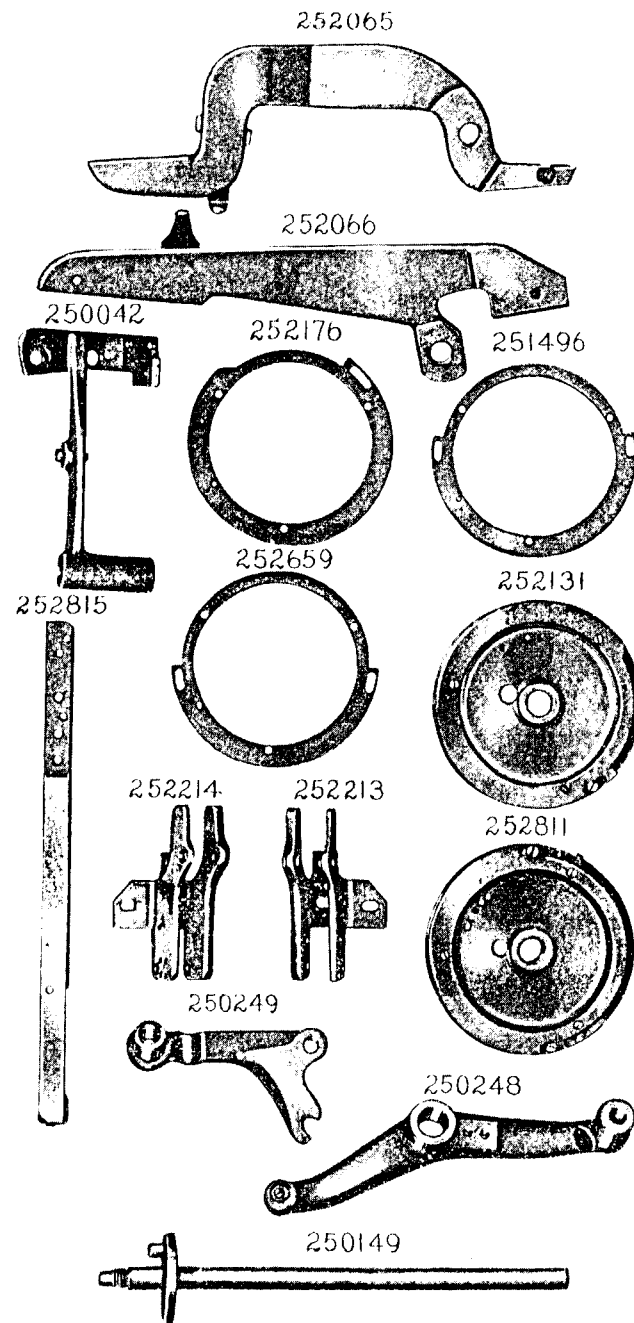


PLATE 13975—FULL SIZE

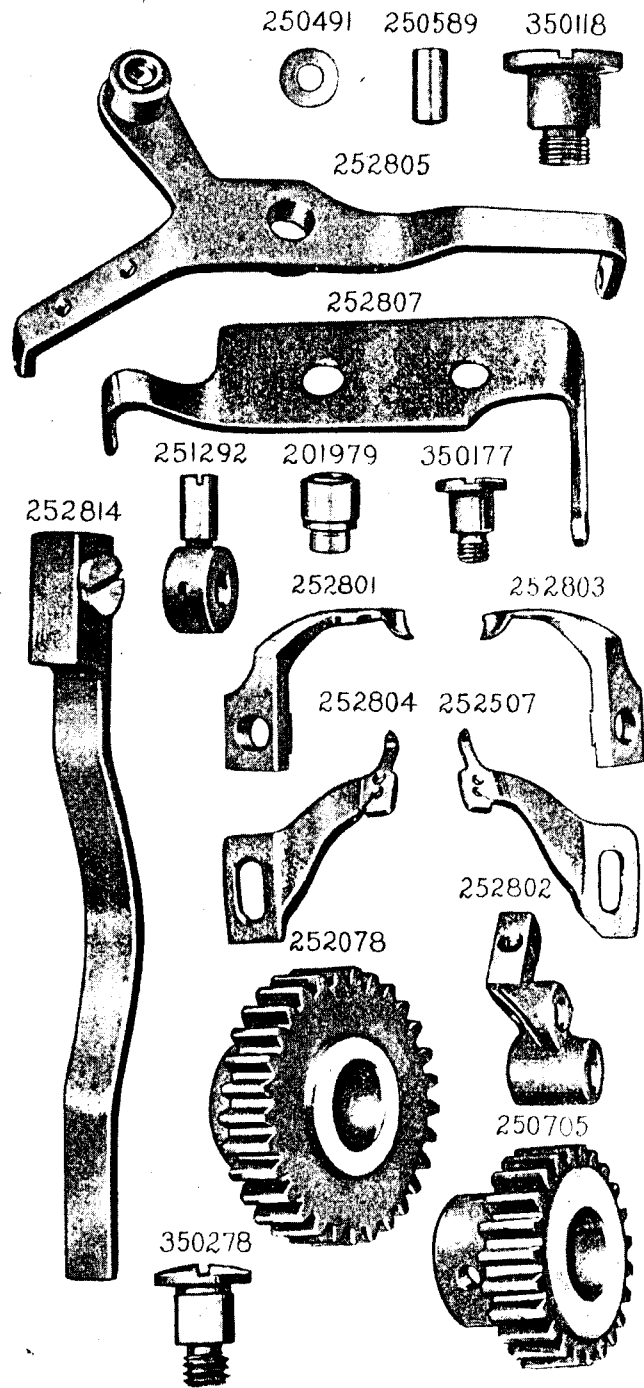


PLATE 15401—FULL SIZE

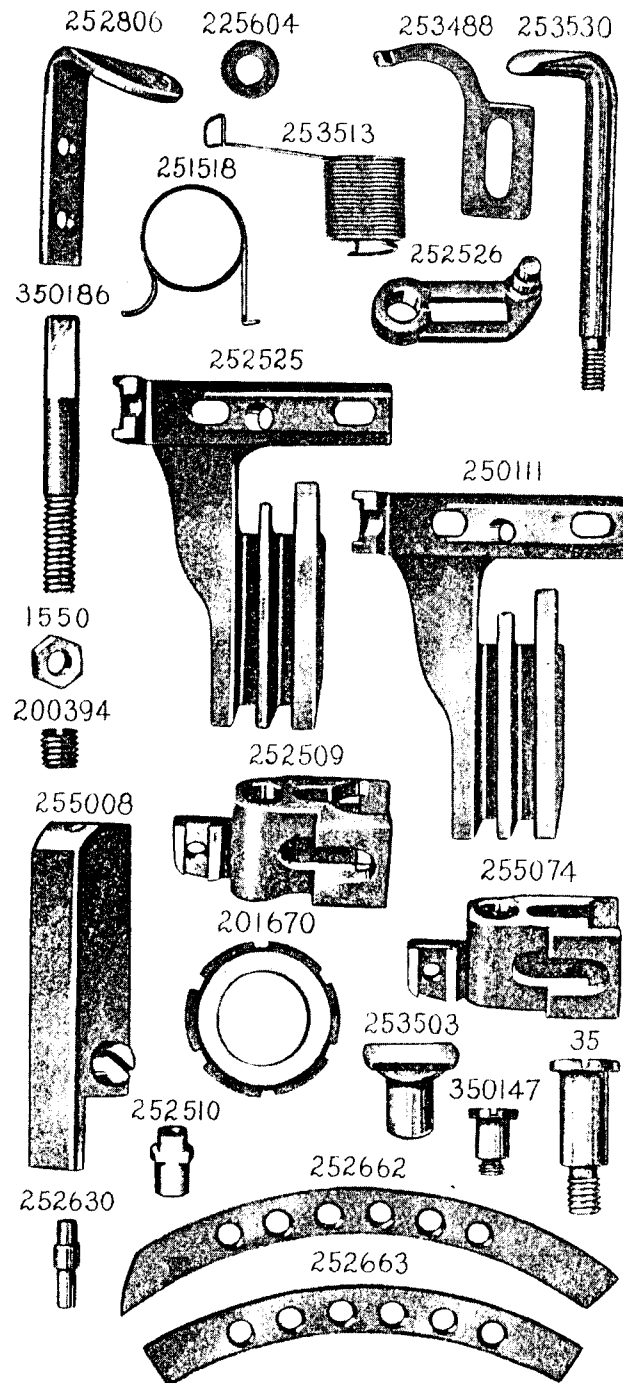


PLATE 15402—ONE-HALF SIZE

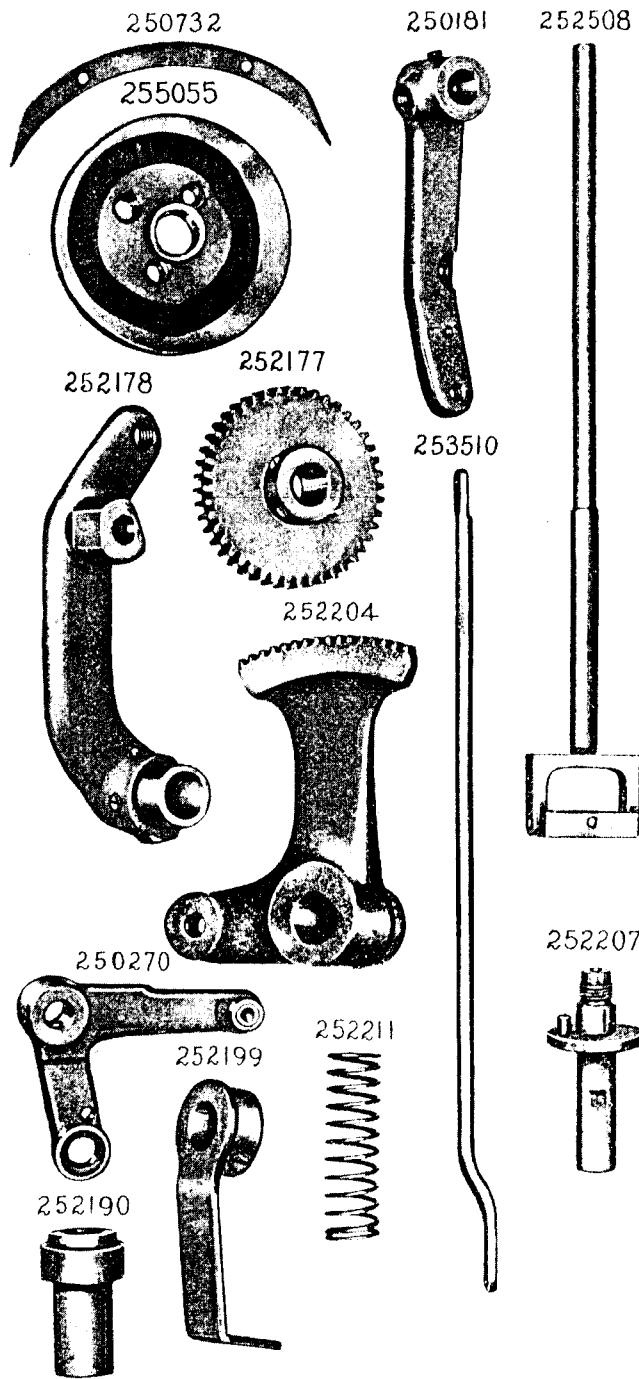


PLATE 15403—FULL SIZE

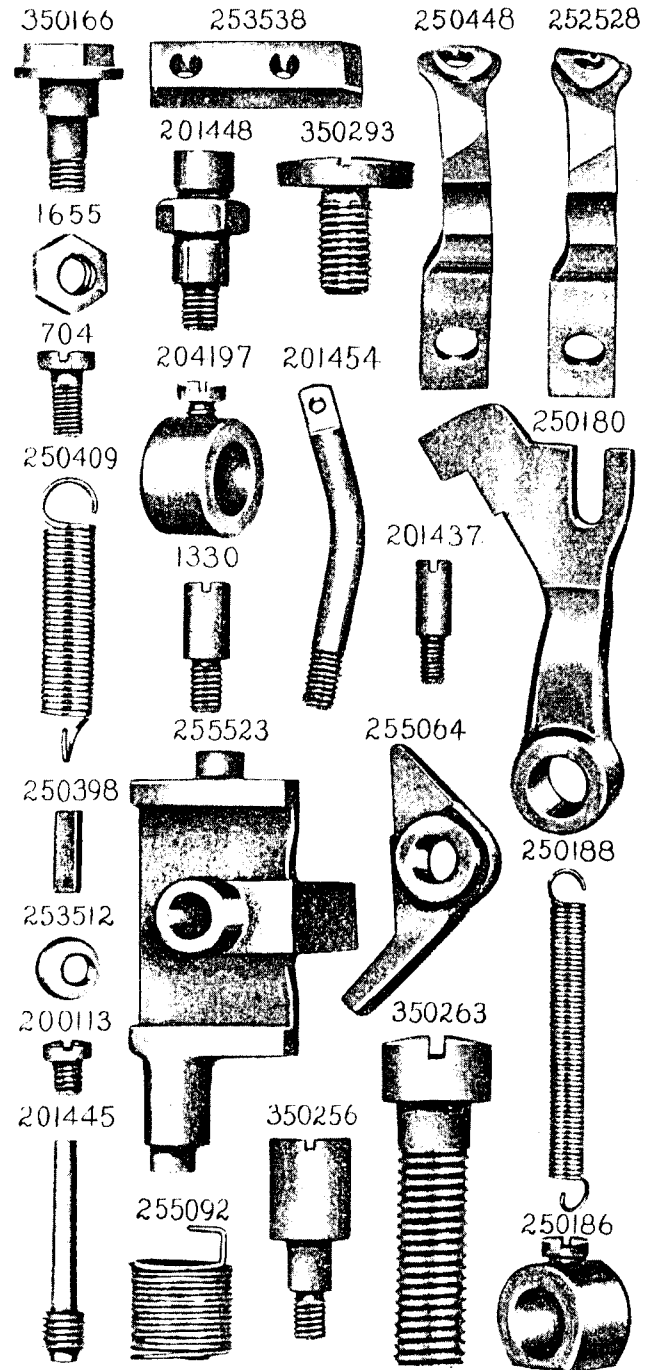


PLATE 15404—ONE-FOURTH SIZE

250523 250524 250755 250756 253125 253126

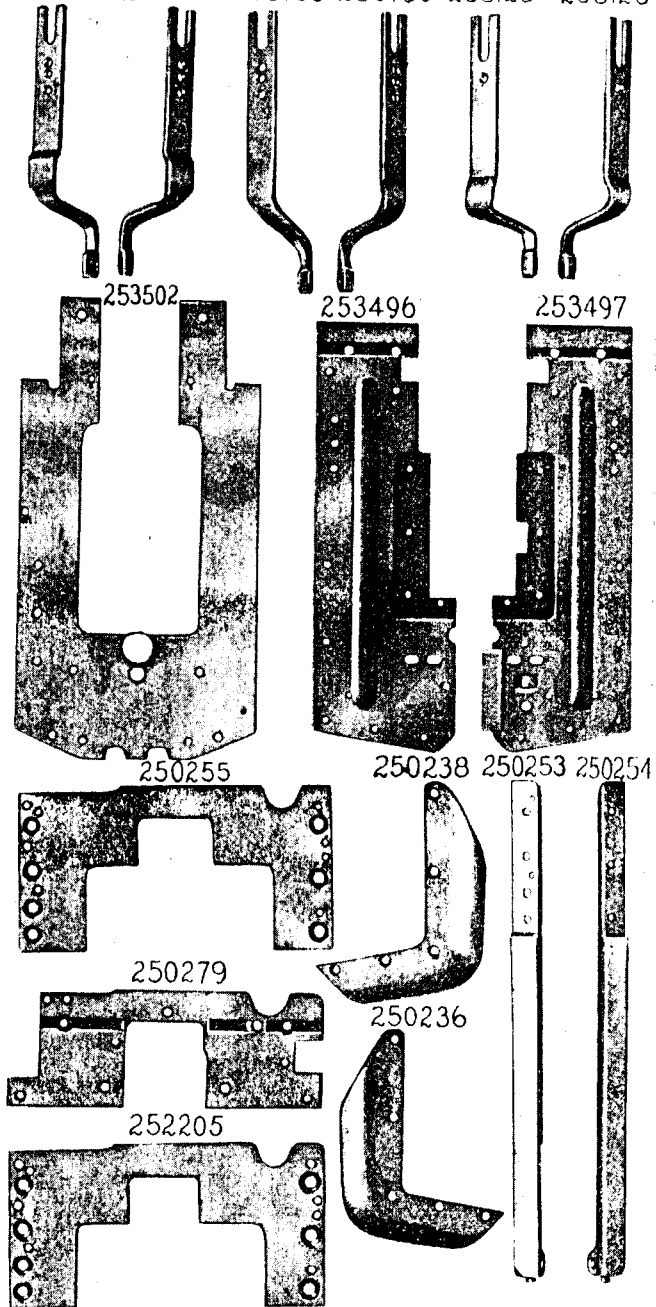


PLATE 15405—FULL SIZE

252189 250251 252209 252208

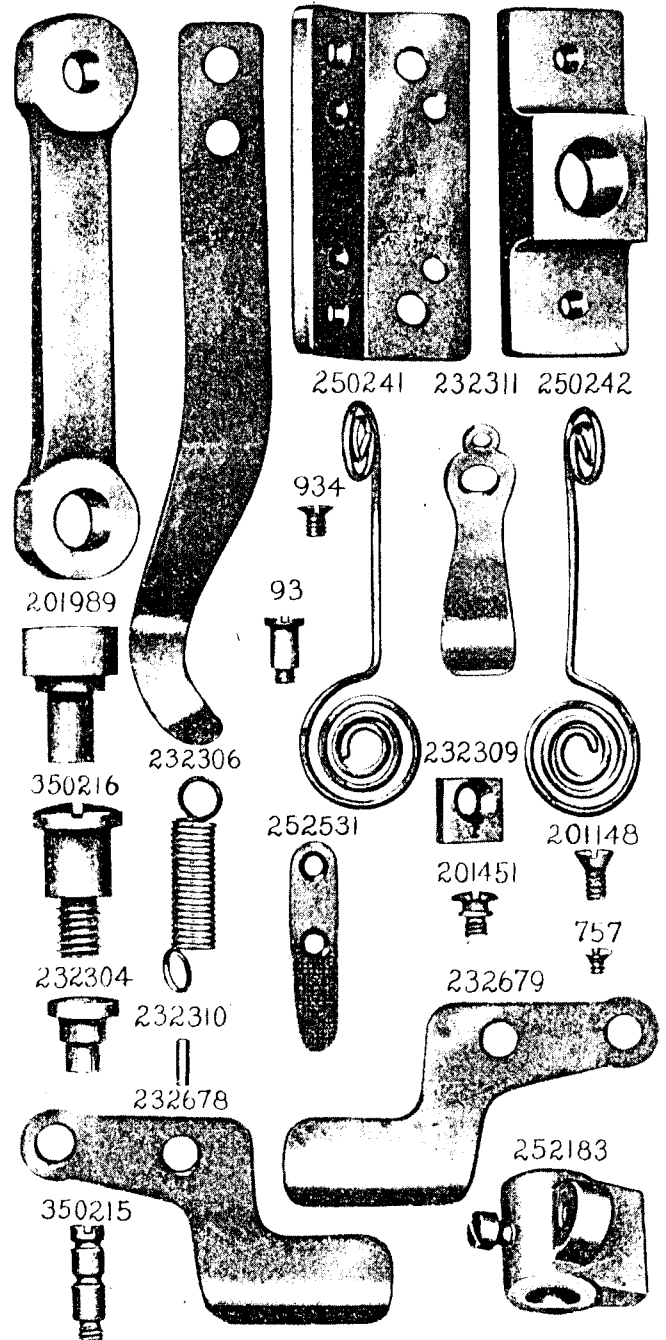


PLATE 15406—FULL SIZE

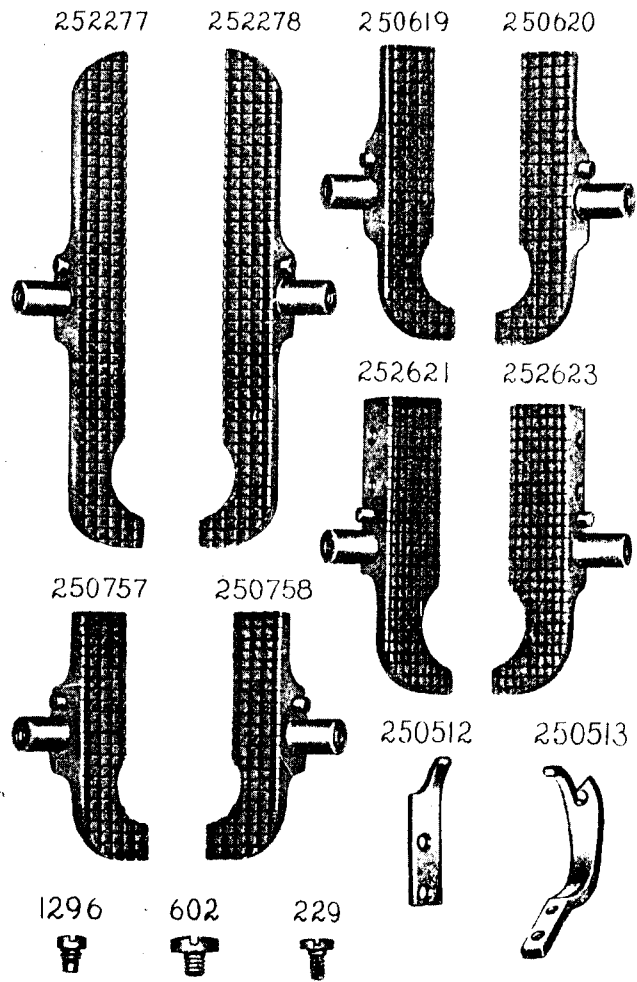


PLATE 15407—FULL SIZE

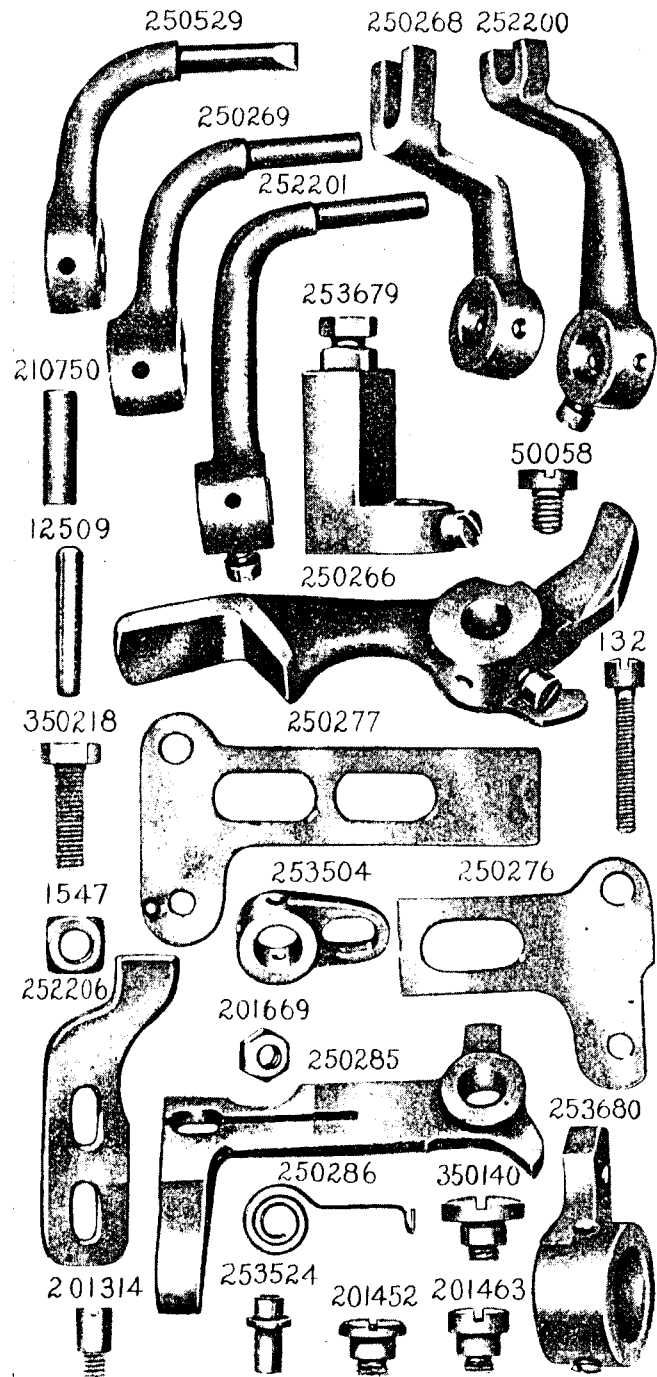


PLATE 15408—ONE-HALF SIZE

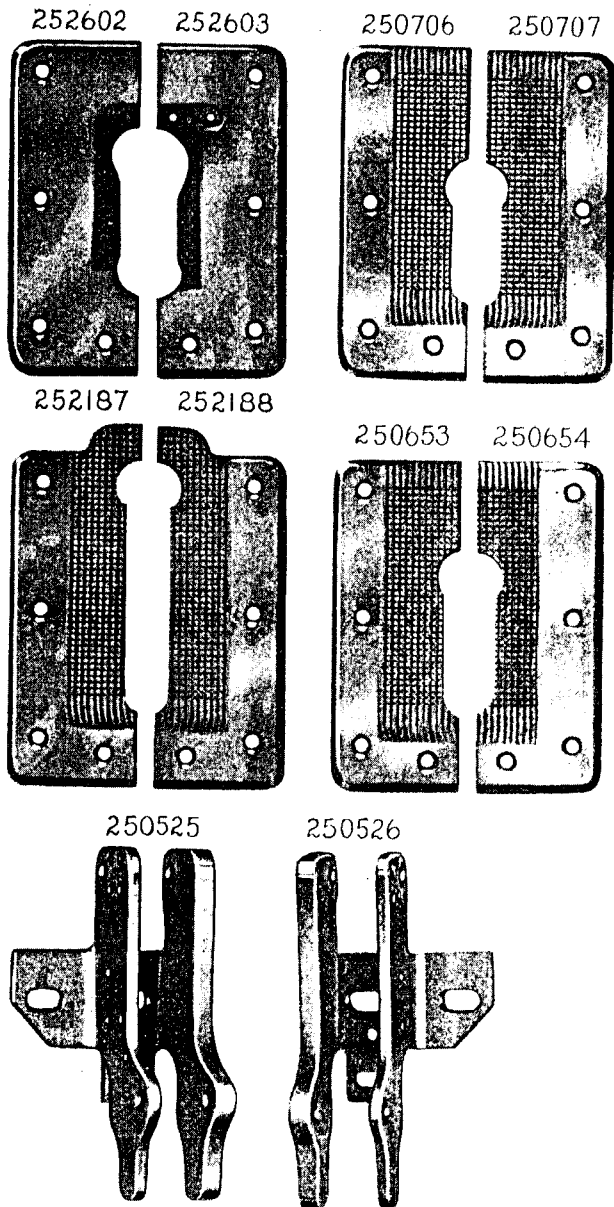


PLATE 15409—FULL SIZE

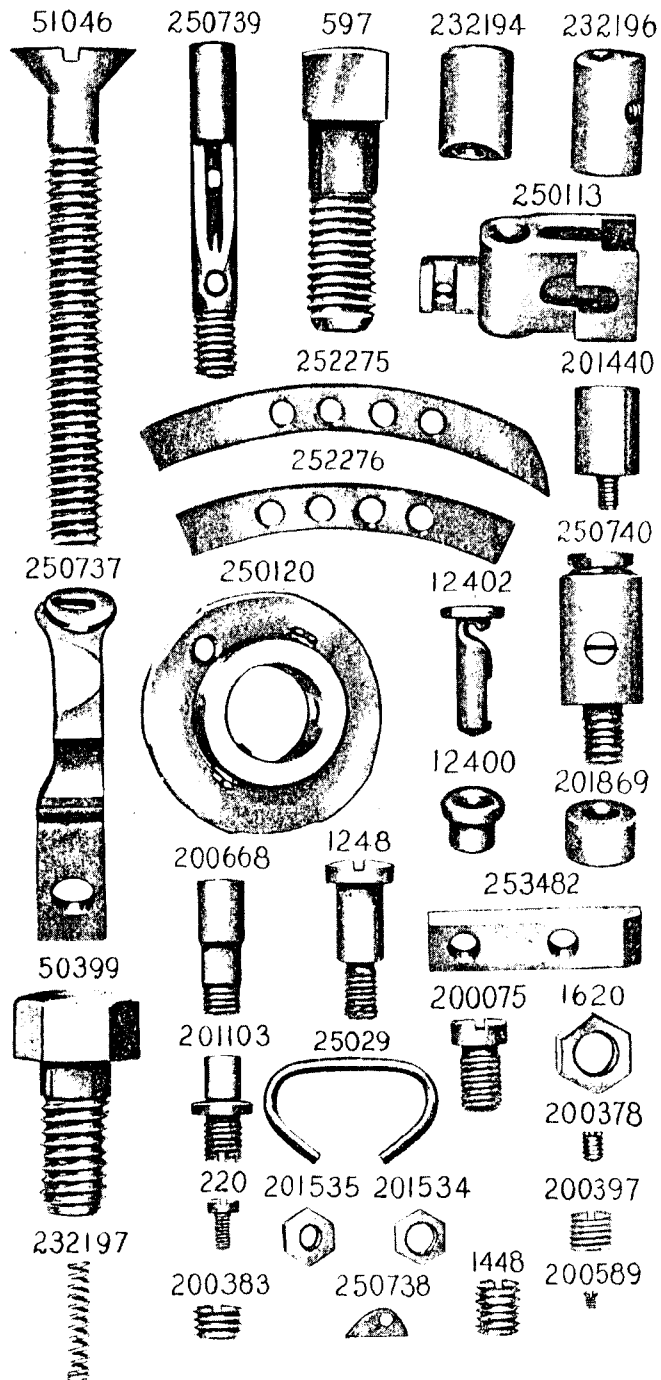
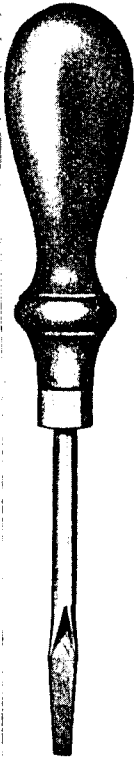


PLATE 15410—ONE-HALF SIZE

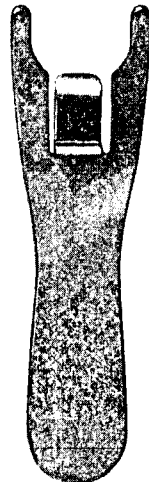
225498



255513



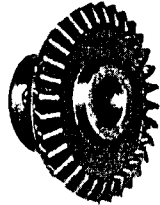
250543



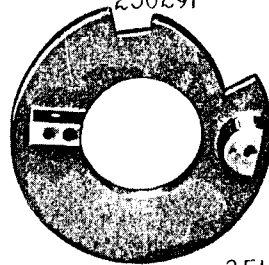
250126



232673



250291



250127



251351



251352

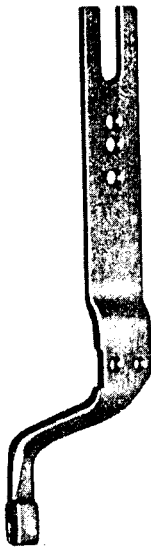
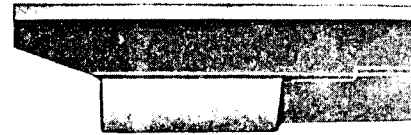
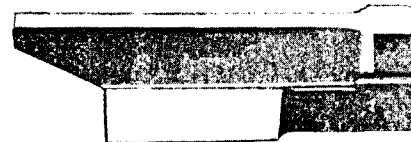


PLATE 15411—FULL SIZE

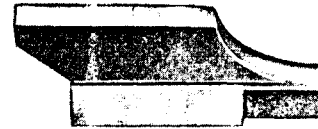
252058



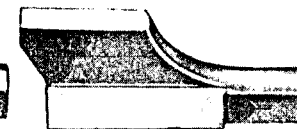
252020



255327



250771



255318



250766



PLATE 15412—FULL SIZE

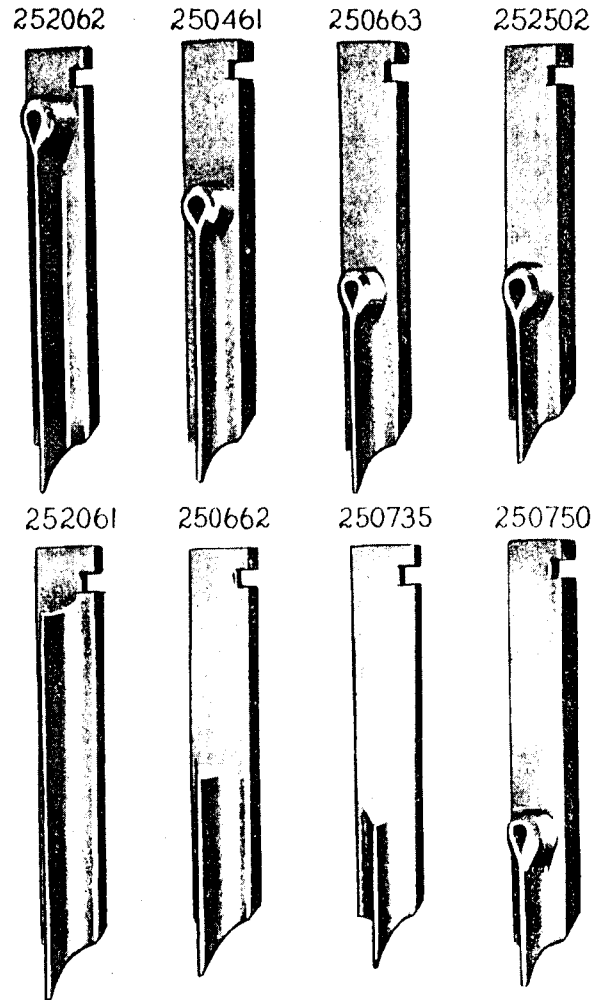


PLATE 15413—ONE-FOURTH SIZE

