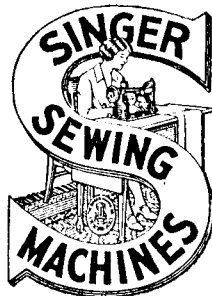


**SINGER**  
**99W75**

# LIST OF PARTS



**MACHINE No. 99w75**

**THE SINGER MANUFACTURING COMPANY**

## INDEX

	PAGE
ACCESSORIES .....	42
BUTTONHOLE CORDING DEVICE .....	50
"    CUTTING BLOCKS .....	49
"    "    KNIVES .....	49
COUNTER SHAFT DRIVING PULLEYS .....	51
DRIVING EQUIPMENT .....	44
MACHINE No. 99w75 .....	7
NUMERICAL LIST OF PARTS .....	65
OBSOLETE PARTS .....	61
PATTERN WHEEL CABINET .....	60
"    WHEELS .....	53
SHAFT PULLEYS .....	51
SINGER KNIFE TRUEING FIXTURE .....	60
THREAD LUBRICATING CUP .....	60
"    UNWINDER .....	43

## Instructions for Ordering

In ordering from this list, use **ONLY** the **PART** number in the **FIRST** column.

The number stamped on a Sewing Machine Part is the number of the Single Part only, except when the part includes Set Screws, Clamping Screws, Studs and Rollers Spun on, Small Wires riveted, or Parts soldered together, etc., which it is necessary to furnish in combination.

Every combination of parts sent out has its specific number which, although not stamped on Parts (except in above cases) must be used when ordering the combination.

Each number always indicates the **SAME PART** in whatever list it appears, or for whatever Machine.

The letters after some of the numbers indicate the style of finish only, as follows:

- A. Hardened, Polished and Plated.
- B. Polished and Plated.
- C. Hardened only.
- D. Polished only.
- E. Soft, not polished.
- F. Hardened and Polished.
- H. Blued.

These letters **MUST BE USED** when they appear in the list and **AFTER** the number, as in the list.

In this series

- 1 to 1500 and 200001 to 201500 are Screw Numbers.
- 1501 to 1800 and 201501 to 201800 are Nut Numbers.
- 1801 to 2000 and 201801 to 202000 are Roller Numbers.
- 2001 to 50000, 202001 and upwards are Numbers of Machine Parts.

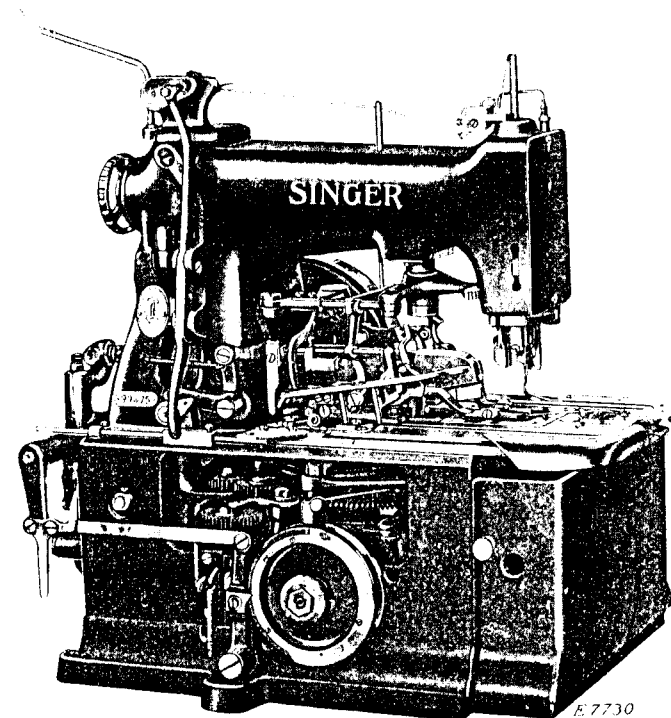
The figures in the second column refer only to the plate in which the illustration of the part is shown and are **NOT TO BE USED** in ordering.

Two or more numbers over a cut indicate that the difference between such parts is not visible in an illustration.

Parts marked with an asterisk (\*) are furnished only when repairs are made at the factory.

## LIST OF PARTS COMPLETE

FOR



### MACHINE No. 99w75

Automatic Eyelet End Buttonhole Machine, for Clothing. Makes buttonholes from  $\frac{5}{8}$  to  $1\frac{1}{2}$  in. long; also straight lapel buttonholes.

Cuts the hole after stitching

No.	Plate	Name
*250001	—	Arm .....
204235	13811	" Position Pin (2) .....
200020E	13811	" Screw (4) .....
232488	13749	" Shaft .....
232489	13946	" " Bevel Gear (order Position Screw or Set Screw as required) .....

No.	Plate	Name
232244	13811	Arm Shaft Bevel Gear Position Pin
350223E	13946	" " " " " Screw
453E	13864	" " " " " Set Screw..
232002	13749	" " Bushing (back) with 202260 .....
232490	13749	Arm Shaft Bushing (front) with 202260 .....
202260	—	Arm Shaft Bushing Oil Packing (wick) .....
200100E	13811	Arm Shaft Bushing Screw (4) ...
232003	13749	" " Hand Wheel with two 200341c .....
200341c	13946	Arm Shaft Hand Wheel Set Screw
150D	13946	" " Screw .....
250002	13749	" Side Cover .....
200110D	13811	" " " Screw (2) .....
*250003	—	Bed with 250078, 255509 to 255512, two each 127D, 40025 and eight 1094E .....
250009	—	Bed End Cover .....
232025	13811	" " " Catch (2) .....
232026	13811	" " " " Position Pin (2)
250010	13811	" " " " Releaser (2)..
204264	13811	" " " " " Stop Pin (2) .....
200047D	13811	Bed End Cover Catch Screw (2) ..
201531E	13946	" " " " " Nut (2)
250011	13811	" " " Support (left) .....
250012	13811	" " " " (right) .....
457c	13811	" " " " Set Screw (2)
250013	—	" Extension .....
250397	13811	" " Position Pin (2) .....
134D	13811	" " Screw (4) .....
250014	13751	" Shaft .....
255521	13932	" " Bevel Gear with two 453c
232719	13946	" " " " Position Pin (2) .....
453c	13864	Bed Shaft Bevel Gear Set Screw ..
232030	13749	" " Bushing (back) with 202260 .....
202260	—	Bed Shaft Bushing (back) Oil Packing (wick) .....
232821	13811	Bed Shaft Bushing (back) Oil Tube (brass) .....
230795	13811	Bed Shaft Bushing (back) Oil Tube Pin .....
200100E	13811	Bed Shaft Bushing (back) Screw (2) .....

No.	Plate	Name
250015	13749	Bed Shaft Bushing (front) .....
255527	13932	" " " " Oil Tube
250451	13946	" " " " " "
330D	13946	Bracket .....
232244	13811	Bed Shaft Bushing (front) Oil Tube Bracket Screw .....
200100E	13811	Bed Shaft Bushing (front) Posi- tion Pin .....
250017	13946	Bed Shaft Bushing (front) Screw (2) .....
1258E	13946	Bed Shaft Collar with two 1258E (2)
232725	13811	" " " Set Screw .....
9D	13811	Belt Guard .....
255049	13946	" " Screw .....
350111c	13946	Buttonhole Cutting Block (steel), 1 in. (eye or taper bar) .....
250468	13946	Buttonhole Cutting Block Pinch Screw .....
1281E	13946	Buttonhole Cutting Block Pinch Screw Washer .....
250020	13818	Buttonhole Cutting Block Stop Screw .....
40025	13864	Buttonhole Cutting Carrier Cam with 200364c .....
200364c	13946	Buttonhole Cutting Carrier Cam Position Pin .....
250021	13818	Buttonhole Cutting Carrier Cam Set Screw .....
50031c	13946	Buttonhole Cutting Carrier Lever with 990D, 201366c, 201524e and 201892 .....
1698c	13847	Buttonhole Cutting Carrier Lever Adjusting Screw Stud .....
39541	13864	Buttonhole Cutting Carrier Lever Adjusting Screw Stud Nut .....
250022	13946	Buttonhole Cutting Carrier Lever Adjusting Screw Stud Washer
201892	13946	Buttonhole Cutting Carrier Lever Adjusting Screw Stud Sleeve ..
990D	13946	Buttonhole Cutting Carrier Lever Adjusting Screw Stud Sleeve ..
201366c	13946	Buttonhole Cutting Carrier Lever Adjusting Screw Stud Sleeve ..
201524E	13946	Buttonhole Cutting Carrier Lever Adjusting Screw Stud Sleeve ..
232038	13947	Buttonhole Cutting Carrier Lever Adjusting Screw Stud Sleeve ..
		Slide Block .....

No.	Plate	Name
250023	13946	Buttonhole Cutting Disengaging Lever .....
350233C	13946	Buttonhole Cutting Disengaging Lever Hinge Screw .....
203213	13936	Buttonhole Cutting Disengaging Lever Spring .....
250592	13947	Buttonhole Cutting Disengaging Push Rod .....
2273	13947	Buttonhole Cutting Disengaging Push Rod Pin .....
250290	13818	Buttonhole Cutting Driving Wheel with 446E .....
232043	13947	Buttonhole Cutting Driving Wheel Lock .....
232044	13947	Buttonhole Cutting Driving Wheel Lock Spring .....
200051E	13947	Buttonhole Cutting Driving Wheel Lock Spring Screw .....
228026	13947	Buttonhole Cutting Driving Wheel Lock Spring Screw Washer .....
232724	13947	Buttonhole Cutting Driving Wheel Lock Stop Plate .....
1094E	13947	Buttonhole Cutting Driving Wheel Lock Stop Plate Screw (2) .....
232150	13806	Buttonhole Cutting Driving Wheel Position Pin .....
446E	13947	Buttonhole Cutting Driving Wheel Set Screw .....
250467	13946	Buttonhole Cutting Knife (.100 x .180 eye) .....
250027	—	Buttonhole Cutting Knife Adjusting Block .....
1100D	13947	Buttonhole Cutting Knife Adjusting Block Screw .....
250474	13947	Buttonhole Cutting Knife Base Plate .....
201474E	13947	Buttonhole Cutting Knife Base Plate Adjusting Screw (2) .....
1454E	13806	Buttonhole Cutting Knife Base Plate Screw .....
250475	13947	Buttonhole Cutting Knife Clamping Lever .....
350114C	13947	Buttonhole Cutting Knife Clamping Lever Hinge Screw .....
250030	13885	Buttonhole Cutting Knife Clamping Plate .....
250031	13751	Buttonhole Cutting Lever (lower)
251267	13815	" " " 250031 with 251269 and 251270 .....

No.	Plate	Name
250032	13815	Buttonhole Cutting Lever (lower) Cam with 453c .....
40025	13864	Buttonhole Cutting Lever (lower) Cam Position Pin .....
453C	13864	Buttonhole Cutting Lever (lower) Cam Set Screw .....
250033	13815	Buttonhole Cutting Lever (upper) with 232482, 250468, 350111c and two 232483 .....
251271	13815	Buttonhole Cutting Lever (upper) Cam with 453c .....
40025	13864	Buttonhole Cutting Lever (upper) Cam Position Pin .....
453C	13864	Buttonhole Cutting Lever (upper) Cam Set Screw .....
250464	13815	Buttonhole Cutting Lever Bracket with 200089D .....
250465	13815	Buttonhole Cutting Lever Bracket Arm .....
50027E	13815	Buttonhole Cutting Lever Bracket Arm Screw .....
250530	—	Buttonhole Cutting Lever Bracket complete, Nos. 250464, 250465 and two 50027E .....
250036	13885	Buttonhole Cutting Lever Bracket Gib (left) .....
250037	13885	Buttonhole Cutting Lever Bracket Gib (right) .....
232380	13885	Buttonhole Cutting Lever Bracket Gib Adjusting Plate (2) .....
219E	13856	Buttonhole Cutting Lever Bracket Gib Adjusting Plate Screw (4) ..
206482	13885	Buttonhole Cutting Lever Bracket Gib Adjusting Plate Screw Washer (4) .....
201176E	13901	Buttonhole Cutting Lever Bracket Gib Screw (6) .....
250038	13754	Buttonhole Cutting Lever Hinge Stud .....
200089D	13806	Buttonhole Cutting Lever Hinge Stud Set Screw .....
251268	13885	Buttonhole Cutting Lever Spring
251269	13885	" " " " Bracket (lower) .....
251270	13885	Buttonhole Cutting Lever Spring Bracket (lower) Pin .....
232482	13754	Buttonhole Cutting Lever Spring Bracket (upper) .....
232483	13754	Buttonhole Cutting Lever Spring Bracket (upper) Pin .....

No.	Plate	Name
250039	13754	Buttonhole Cutting Pressure Wedge with 232056 .....
*201155D	—	Buttonhole Cutting Pressure Wedge Adjusting Screw .....
250538	13947	Buttonhole Cutting Pressure Wedge Adjusting Screw 201155D with 2273, 201672E, 232054 and 232055
232054	13754	Buttonhole Cutting Pressure Wedge Adjusting Screw Collar .....
232055	13754	Buttonhole Cutting Pressure Wedge Adjusting Screw Collar Position Pin .....
232466	13754	Buttonhole Cutting Pressure Wedge Adjusting Screw Lock Spring ..
662D	13754	Buttonhole Cutting Pressure Wedge Adjusting Screw Lock Spring Screw .....
201672E	13754	Buttonhole Cutting Pressure Wedge Adjusting Screw Nut .....
2273	13947	Buttonhole Cutting Pressure Wedge Adjusting Screw Nut Pin .....
232056	13754	Buttonhole Cutting Pressure Wedge Boss .....
232057	13947	Buttonhole Cutting Pressure Wedge Post with 662D and 232466 .....
200122H	13754	Buttonhole Cutting Pressure Wedge Post Screw .....
250040	13815	Buttonhole Cutting Shaft .....
232383	13815	“ “ Hand Crank with 201484C .....
201468H	13785	Buttonhole Cutting Shaft Hand Crank Cap Screw .....
201484C	13785	Buttonhole Cutting Shaft Hand Crank Position Screw .....
203172	13947	Buttonhole Cutting Shaft Hand Crank Washer .....
255019	—	Buttonhole Cutting Shaft Pulley (loose) with 255021, two each 172D, 210750 and eight 232817 ..
232513	13754	Buttonhole Cutting Shaft Pulley Bushing .....
232817	13947	Buttonhole Cutting Shaft Pulley Stud .....
255020	13933	Buttonhole Cutting Shaft Pulley complete, Nos. 255019, two each 255022, 255023 and 350198F .....
250042	13815	Buttonhole Cutting Starting Lever with 201085C .....
232718	13815	Buttonhole Cutting Starting Lever Hinge Stud .....

No.	Plate	Name
200530E	13947	Buttonhole Cutting Starting Lever Hinge Stud Set Screw .....
232064	13754	Buttonhole Cutting Starting Lever Latch .....
350148D	13947	Buttonhole Cutting Starting Lever Latch Hinge Screw .....
201531E	13946	Buttonhole Cutting Starting Lever Latch Hinge Hinge Screw Nut..
232065	13754	Buttonhole Cutting Starting Lever Latch Spring .....
201218E	13754	Buttonhole Cutting Starting Lever Latch Spring Screw Stud (2) ..
200E	13846	Buttonhole Cutting Starting Lever Latch Stop Screw .....
250043	13756	Buttonhole Cutting Starting Lever Plate .....
200577H	13756	Buttonhole Cutting Starting Lever Plate Screw (2) .....
201085C	13756	Buttonhole Cutting Starting Lever Restoring Screw Stud .....
250456	13947	Buttonhole Cutting Starting Lever Safety Plate .....
208E	13903	Buttonhole Cutting Starting Lever Safety Plate Screw (2) .....
250044	13756	Buttonhole Cutting Starting Lever Spring .....
350105E	13949	Buttonhole Cutting Starting Lever Spring Screw Stud .....
250045	13756	Buttonhole Cutting Trip Lever with 460C .....
250046	13756	Buttonhole Cutting Trip Lever Bracket .....
232154	13949	Buttonhole Cutting Trip Lever Bracket Position Pin (2) .....
161D	13756	Buttonhole Cutting Trip Lever Bracket Screw (2) .....
2049	13756	Buttonhole Cutting Trip Lever Position Pin .....
250047	13756	Buttonhole Cutting Trip Lever Safety Lever with 237F .....
232343	13756	Buttonhole Cutting Trip Lever Safety Lever Position Pin .....
237F	13756	Buttonhole Cutting Trip Lever Safety Lever Set Screw .....
460C	13756	Buttonhole Cutting Trip Lever Set Screw .....
250048	13756	Buttonhole Cutting Trip Lever Shaft .....
250049	13756	Buttonhole Cutting Trip Lever Spring .....

No.	Plate	Name
201432c	13756	Buttonhole Cutting Trip Screw Stud .....
1521E	13756	Buttonhole Cutting Trip Screw Stud Nut .....
255062	13949	Buttonhole Cutting Trip Screw Stud Shim (.010 in. thick) .....
255063	13949	Buttonhole Cutting Trip Screw Stud Shim (.025 in. thick) .....
250050	13834	Driving Wheel (loose) .....
232110	13834	" " with 200395c and two 232113 .....
232112	13834	Driving Wheel Friction Gib .....
232113	13834	" " " " Position Pin .....
8873	13949	Driving Wheel Position Pin .....
200395c	13949	" " Set Screw .....
251024	13932	" " Stop Cam .....
251025	13932	" " " " Position Collar with 1036c .....
1036c	13949	Driving Wheel Stop Cam Position Collar Set Screw .....
250417	13806	Driving Wheel Stop Cam Spring
200096D	13864	" " " " " " Position Screw .....
232520	13948	Face Plate .....
641D	13811	" " Screw (2) .....
232521	13949	Feed Adjusting Gear .....
250052	13758	" " " Bracket .....
250053	13758	" " " " Clamping Post .....
690D	13899	Feed Adjusting Gear Bracket Clamping Post Screw (2) .....
350113c	13899	Feed Adjusting Gear Bracket Clamping Screw .....
250473	13899	Feed Adjusting Gear Bracket Clamping Screw Washer .....
201428c	13785	Feed Adjusting Gear Screw Stud
1518J	13899	" " " " " Nut .....
250054	13758	Feed Driving Gear (intermediate) with 457c .....
232721	13899	Feed Driving Gear (intermediate) Position Pin .....
457c	13811	Feed Driving Gear (intermediate) Set Screw .....
250055	13899	Feed Driving Gear (intermediate) Shaft .....

No.	Plate	Name
250056	13751	Feed Wheel with three 232382 ....
250057	13825	" " Driving Pawl (3) ....
201385c	13825	" " " " Hinge Screw (3) .....
250058	13825	Feed Wheel Driving Pawl Spring (3) .....
232382	13756	Feed Wheel Driving Pawl Spring Pin .....
1449H	13825	Feed Wheel Driving Pawl Spring Screw (3) .....
350071E	13785	Feed Wheel Friction Ring Adjusting Screw .....
201522E	13825	Feed Wheel Friction Ring Adjusting Screw Lock Nut .....
232131	13759	Feed Wheel Friction Ring Adjusting Screw Washer (2) .....
250059	13758	Feed Wheel Friction Ring Bracket
200070c	13825	" " " " " " Screw (2) .....
250060	13758	Feed Wheel Friction Ring Section (long) .....
250061	13758	Feed Wheel Friction Ring Section (short) .....
232135	13759	Feed Wheel Friction Ring Spring
232532	13751	" " Ring .....
250062	13759	" " " Gib (3) .....
209F	13825	" " " " Screw (6) ..
201362c	13825	" " Screw Stud .....
250418	13805	Finger Starting Lever with 250435 and 250436 .....
250419	13805	Finger Starting Lever Hinge Block
350080D	13805	" " " " " " Hinge Screw .....
250420	13805	Finger Starting Lever (intermediate) .....
255080	13950	Finger Starting Lever (intermediate) Bracket with 208E and 991c
208E	13903	Finger Starting Lever (intermediate) Bracket Pinch Screw .....
158E	13865	Finger Starting Lever (intermediate) Bracket Screw .....
72D	13805	Finger Starting Lever (intermediate) Hinge Screw .....
646F	13805	Finger Starting Lever (intermediate) Operating Stud .....
251292	13949	Finger Starting Lever (intermediate) Operating Stud Collar with 646F .....

No.	Plate	Name
2273	13947	Finger Starting Lever (intermediate) Operating Stud Collar Position Pin .....
200097C	13805	Finger Starting Lever Screw .....
228026	13947	" " " " Washer
251518	13949	" " " Spring .....
250435	13805	" " " Stud (back).
250436	13805	" " " " (front)
232539	13759	Intermittent Feed Driving Wheel with two 465c .....
*250395	—	Intermittent Feed Driving Wheel Bracket .....
232244	13811	Intermittent Feed Driving Wheel Bracket Position Pin (2) .....
129E	13759	Intermittent Feed Driving Wheel Bracket Screw (4) .....
250589	13949	Intermittent Feed Driving Wheel Driving Stud .....
204648	13759	Intermittent Feed Driving Wheel Driving Stud Position Pin .....
232541	13759	Intermittent Feed Driving Wheel Position Pin .....
465c	13759	Intermittent Feed Driving Wheel Set Screw .....
232542	13899	Intermittent Feed Driving Wheel Shaft .....
250063	13759	Intermittent Feed Driving Wheel Shaft Gear with 465c .....
232721	13899	Intermittent Feed Driving Wheel Shaft Gear Position Pin .....
465c	13759	Intermittent Feed Driving Wheel Shaft Gear Set Screw .....
250064	13900	Loop Retainer (left) .....
250065	13900	" " " Carrier .....
251153	13900	" " (right) .....
250067	13900	" " " Carrier .....
250068	13900	" " Adjusting Block (2)..
255055	13950	" " Cam with 350223E ...
40025	13864	" " " Position Pin ...
350223E	13946	" " " Set Screw .....
250070	13900	" " Carrier Link (2) ...
201431C	13900	" " " " Screw (4)
250071	13900	" " " Shaft .....
735E	13900	" " " " Set Screw
250073	13900	" " Driving Bar .....
250410	13900	" " " " Collar with 200130F .....
* 200130F	13900	Loop Retainer Driving Bar Collar Pinch Screw .....

No.	Plate	Name
185H	13900	Loop Retainer Screw (2) .....
250491	13949	" " " Washer (2) ..
250074	13900	" " Shim (.005 in. thick)..
250449	13900	" " " (.010 in. thick)..
250450	13900	" " " (.020 in. thick)..
250537	13900	" " " (.030 in. thick)..
250075	13900	" " Slide with 201943 ....
250076	13900	" " " Gib (lower) (2)..
250077	13900	" " " " (upper) (2)..
190D	13785	" " " " Screw (6) ...
*250078	—	" " " Guide Extension
40025	13864	" " " " " " Position Pin (2) .....
127D	13900	Loop Retainer Slide Guide Extension Screw (2) .....
201896	13900	Loop Retainer Slide Roller .....
201943	—	" " " " " 201896 with 250429 .....
250429	13806	Loop Retainer Slide Roller Stud ..
253472	13901	Looper (non threaded) .....
250080	13901	" (threaded) .....
250081	13758	" Bracket with 735E .....
201658c	13901	" " Adjusting Nut .....
201659c	13901	" " " " Locking Nut .....
23421	—	Looper Bracket Dogging Hole Plug
250082	13842	" " Frame Chip Guard
401D	13901	" " " " " " Screw (2) .....
232555	13949	Looper Bracket Rotating Gear with 906E .....
250084	13949	Looper Bracket Rotating Gear Position Pin .....
906E	13949	Looper Bracket Rotating Gear Set Screw .....
250085	13901	Looper Carrier .....
201433C	13901	" " Hinge Screw .....
250086	13901	" " Link .....
201099C	13901	" " " Hinge Screw (2)
250087	13901	" Driving Bar .....
250088	13901	" " Connection with 1120c, 250471 and two 233D .....
250471	13901	Looper Driving Connection Plate
233D	13901	" " " " " " Screw .....
1120C	13901	Looper Driving Connection Set Screw .....
250089	13901	Looper Driving Connection Slide Rod .....



No.	Plate	Name
250090	13901	Looper Driving Connection Slide Rod Bushing (lower) .....
250091	13901	Looper Driving Connection Slide Rod Bushing (upper) .....
250092	13901	Looper Driving Crank .....
250446	13901	" " " Bushing ....
201176E	13901	" " " " Screw (2) .....
250094	13762	Looper Driving Crank Gear with 735E .....
250095	13762	Looper Driving Crank Gear Position Pin .....
735E	13900	Looper Driving Crank Gear Set Screw .....
250096	13762	Looper Driving Crank Link .....
199C	13762	" " " " Cap Screw .....
350278C	13949	Looper Driving Crank Link Hinge Screw .....
250097	13762	Looper Driving Disc .....
255035	—	" " " 250097 with 201435C and 201704E .....
201435C	13762	Looper Driving Disc Screw Stud .....
201704E	13949	" " " " " Nut .....
250098	13762	Looper Driving Gear .....
176D	13762	" " " Screw (3) ..
201898	13762	" " Roller .....
201953	—	" " " 201898 with 201144E and 250099 (2) .....
201144E	13825	Looper Driving Roller Cap Screw .....
250099	13762	" " " Stud .....
*250100	—	" Frame .....
250462	13949	" " Chip Guard .....
232866	13949	" " Position Pin (2) .....
201082E	13762	" " Screw (3) .....
190E	13785	" Screw (2) .....
250101	13762	" " Washer (2) .....
232270	13762	" Thread and Cord Clamping Spring (long) .....
232271	13762	Looper Thread and Cord Clamping Spring (short) .....
200186B	13762	Looper Thread and Cord Clamping Spring Screw .....
232272	13762	Looper Thread and Cord Cutter .....
200186B	13762	" " " " " Screw .....
250425	13806	Looper Thread Controlling Cam .....
236D	13949	" " " " " Screw (2) .....

No.	Plate	Name
250426	13806	Looper Thread Controlling Lever with 201979 .....
250427	13806	Looper Thread Controlling Lever Bracket .....
183E	13891	Looper Thread Controlling Lever Bracket Screw (2) .....
50061C	13806	Looper Thread Controlling Lever Hinge Screw .....
201979	13949	Looper Thread Controlling Lever Roller and Stud .....
250428	13806	Looper Thread Controlling Lever Spring .....
1120C	13901	Looper Thread Controlling Lever Spring Screw .....
253513	13949	Looper Thread Controlling Spring .....
253488	13949	" " " " " Stop .....
219E	13856	Looper Thread Controlling Spring Stop Screw .....
18859	13949	Looper Thread Guide .....
250102	13949	" " Leader .....
1423F	13949	" " " Screw .....
32012	13949	" " Tension Disc (2) ...
253530	13949	" " " Releaser ....
1550J	13891	" " " " " Nut
7071	13856	" " " " " Washer .....
253531	13932	Looper Thread Tension Releaser Lever .....
350224D	13934	Looper Thread Tension Releaser Lever Hinge Screw .....
251170	13856	Looper Thread Tension Releaser Lever Spring .....
253532	13933	Looper Thread Tension Releaser Lever Rod .....
253535	13932	Looper Thread Tension Releaser Lever Rod Collar with 237F (2) ..
237F	13756	Looper Thread Tension Releaser Lever Rod Collar Set Screw ....
253533	13932	Looper Thread Tension Releaser Operating Lever with 237F ....
237F	13756	Looper Thread Tension Releaser Operating Lever Set Screw .....
253534	13932	Looper Thread Tension Releaser Operating Cam Block with 219F .....
219F	13856	Looper Thread Tension Releaser Operating Cam Block Set Screw .....

No.	Plate	Name
232515	13951	Looper Thread Tension Spring ...
1043c	13951	" " " Stud .....
171d	13951	" " " " Set Screw
1560c	13846	" " " Thumb Nut
232516	13948	" " Tube (brass) .....
232517	13952	" " " Bracket (2) ...
190d	13785	" " " " Screw (2)
251152	13952	Lower Cord Leader .....
185H	13900	" " " Screw .....
250444	13951	" " " Washer ..
32012	13949	" " Tension Disc (2) ....
232515	13951	" " " Spring .....
637c	13934	" " " Stud .....
1560c	13846	" " " Thumb Nut ...
232516	13948	" " Tube (brass) .....
250451	13946	" " " Bracket (2) ....
250105	13903	Needle Bar Driving Crank with 200394c and two 200382c .....
40025	13864	Needle Bar Driving Crank Position Pin .....
200394c	13903	Needle Bar Driving Crank Set Screw .....
250106	13903	Needle Driving Bar .....
232177	13903	" " " Bushing .....
232176	13903	" " " Collar with 200083E .....
200083E	13847	Needle Driving Bar Collar Pinch Screw .....
232178	13903	Needle Driving Bar Link .....
232709	13903	" " " " Hinge Stud with 222598 .....
222598	—	Needle Driving Bar Link Hinge Stud Oil Packing (wick) .....
200382c	13903	Needle Driving Bar Link Hinge Stud Set Screw .....
250108	13903	Needle Driving Bar Swivel with 210933 .....
210933	—	Needle Driving Bar Swivel Oil Packing (wick) .....
255072	13934	Needle Guard .....
230E	13934	" " Screw .....
233D	13901	" " " (support end)..
255073	13934	" " Support .....
251214	13903	" Holder with 904E .....
250111	13951	" " Gauge Plate .....
201482D	13785	" " " " Adjusting Screw .....
250112	13903	Needle Holder Gauge Plate Block
201670c	13903	" " " " " "
		Adjusting Nut .....

No.	Plate	Name
201670c	13903	Needle Holder Gauge Plate Block Adjusting Nut Lock Nut .....
200124H	13903	Needle Holder Gauge Plate Screw (2) .....
208E	13903	Needle Holder Screw .....
255074	13951	" " Slide .....
250114	13903	" " " Lever with 255056 .....
201434c	13903	Needle Holder Slide Lever Hinge Screw .....
255056	13934	Needle Holder Slide Lever Pin ....
250115	13903	" " " " Stud ....
208E	13903	" " " " " Screw
250116	13903	" " " " " "
		Washer .....
251155	13903	Needle Holder Slide Spring .....
201225c	13903	" " " Stud .....
250117	13951	" Rotating Gear with 735E ....
250118	13951	" " " Key .....
735E	13900	" " " Set Screw ...
904E	13903	" Set Screw .....
253629	13934	" Thread Controller .....
1520J	13856	" " " Nut .....
255004	13934	" " " Spring .....
255005	—	" " " " Bracket with 171E .....
255067	13934	Needle Thread Controller Spring Bracket 255005 with 231c, 252081, 255004, 255006 and 255007 .....
18587	13934	Needle Thread Controller Spring Bracket Position Pin .....
202F	13934	Needle Thread Controller Spring Bracket Screw .....
255006	13934	Needle Thread Controller Spring Stop .....
231c	13826	Needle Thread Controller Spring Stop Adjusting Screw .....
255007	13934	Needle Thread Controller Spring Thread Guide .....
252081	13934	Needle Thread Controller Stud ...
171E	13951	" " " " Set Screw .....
10145	13934	Needle Thread Guide .....
250119	13934	" " " .....
232792	13932	" " Leader .....
1664E	13951	" " " Nut .....
10106	13934	" " Retainer Disc .....
252081	13934	" " " Stud .....
39713	13934	" " " Spring .....

No.	Plate	Name
996E	13934	Needle Thread Retainer Spring Screw Stud .....
171E	13951	Needle Thread Retainer Stud Set Screw .....
252082	13934	Needle Thread Retainer Tension Disc .....
252083	13932	Needle Thread Tension Bracket
159D	13934	" " " " Screw (2) .....
32012	13949	Needle Thread Tension Disc (2) ..
154c	13936	" " " " Releasing Adjusting Screw .....
1550J	13891	Needle Thread Tension Releasing Adjusting Screw Nut .....
255122	13936	Needle Thread Tension Releasing Block with 200E .....
200E	13846	Needle Thread Tension Releasing Block Set Screw .....
240D	13936	Needle Thread Tension Releasing Block Stop Screw .....
32572	13846	Needle Thread Tension Releasing Disc .....
255009	13933	Needle Thread Tension Releasing Lever .....
255010	13933	Needle Thread Tension Releasing Lever Bracket .....
200346c	13936	Needle Thread Tension Releasing Lever Bracket Adjusting Screw
145E	13769	Needle Thread Tension Releasing Lever Bracket Screw (lower) ..
200062H	13754	Needle Thread Tension Releasing Lever Bracket Screw (upper) ..
35D	13936	Needle Thread Tension Releasing Lever Hinge Screw .....
255011	13936	Needle Thread Tension Releasing Lever Spring .....
39635	13846	Needle Thread Tension Releasing Pin .....
255013	13935	Needle Thread Tension Releasing Rod .....
255014	13936	Needle Thread Tension Releasing Rod Bracket .....
190D	13785	Needle Thread Tension Releasing Rod Bracket Screw (2) .....
255015	13936	Needle Thread Tension Releasing Rod Plate .....
792D	13936	Needle Thread Tension Releasing Rod Plate Screw (2) .....
208E	13903	Needle Thread Tension Releasing Rod Screw .....

No.	Plate	Name
13710	13846	Needle Thread Tension Spring ....
1388c	13846	" " " Stud .....
1560c	13846	" " " Thumb Nut..
250140	13848	" Vibrating Adjusting Link
741c	13847	" " " " Hinge Screw .....
350076c	13951	Needle Vibrating Adjusting Stud
1671c	13847	" " " " Nut .....
39532	13847	Needle Vibrating Adjusting Stud Sleeve .....
250141	13848	Needle Vibrating Bell Crank .....
250142	13848	" " " " Connec- tion .....
*38444	—	Needle Vibrating Bell Crank Con- nection End Bearing (back) ....
38446	13847	Needle Vibrating Bell Crank Con- nection End Bearing 38444 with 42524, 50016c and two 175E .....
50016c	13847	Needle Vibrating Bell Crank Con- nection End Bearing (back) Ball Screw Stud .....
1636E	13847	Needle Vibrating Bell Crank Con- nection End Bearing (back) Ball Screw Stud Nut .....
*1698c	13847	Needle Vibrating Bell Crank Con- nection End Bearing (back) Check Nut .....
*42524	—	Needle Vibrating Bell Crank Con- nection End Bearing (back) Cap
175E	13769	Needle Vibrating Bell Crank Con- nection End Bearing (back) Cap Screw .....
*38443	—	Needle Vibrating Bell Crank Con- nection End Bearing (front) ....
250143	13847	Needle Vibrating Bell Crank Con- nection End Bearing 38443 with 42525, 201449c and two 175E ....
201449c	13847	Needle Vibrating Bell Crank Con- nection End Bearing (front) Ball Screw .....
*42525	—	Needle Vibrating Bell Crank Con- nection End Bearing (front) Cap
175E	13769	Needle Vibrating Bell Crank Con- nection End Bearing (front) Cap Screw .....
1697c	13847	Needle Vibrating Bell Crank Con- nection End Bearing (front) Check Nut .....

No.	Plate	Name
45c	13847	Needle Vibrating Bell Crank Hinge Screw .....
250144	13848	Needle Vibrating Lever .....
255034	13936	" " " Hinge Stud
443c	13936	" " " " "
		Set Screw .....
232420	13769	Needle Vibrating Ring with 462c ..
232421	13769	" " " Guide Stud
200083E	13847	" " " " "
		Set Screw .....
232343	13756	Needle Vibrating Ring Position Pin
462c	13847	" " " Set Screw ..
250145	13769	" " Rod .....
250146	13769	" " " Guide with
		1230E .....
232343	13756	Needle Vibrating Rod Guide Position Pin .....
1230E	13951	Needle Vibrating Rod Guide Set Screw .....
250147	13769	Needle Vibrating Switch .....
200308c	13769	" " " Hinge Screw
251228	13948	Pattern Wheel, for 1 in. Eye Buttonhole (large and medium eye) ..
201668E	13769	Pattern Wheel Clamping Nut .....
250148	13769	" " Position Stud .....
250372	13769	" " Rapid Feed Trip Point
203E	13769	" " " " " "
		Screw .....
250382	13948	Pattern Wheel Ring .....
255028	—	" " " 250382 with
		211E, 250443 and 250444 .....
250443	13952	Pattern Wheel Ring Adjusting Segment .....
211E	13951	Pattern Wheel Ring Adjusting Segment Screw .....
250444	13951	Pattern Wheel Ring Adjusting Segment Screw Washer .....
391D	13769	Pattern Wheel Ring Screw .....
251229	—	Pattern Wheel, for 1 in. Eye Buttonhole (large and medium eye), complete, Nos. 251228, 255028, two each 203E, 250372 and three 391D
250149	13770	Pattern Wheel Shaft with 250148..
250150	13770	" " " Bevel Gear
		with 168D .....
40025	13864	Pattern Wheel Shaft Bevel Gear Position Pin .....
168D	13951	Pattern Wheel Shaft Bevel Gear Set Screw .....

No.	Plate	Name
250151	13770	Pattern Wheel Shaft Bushing (left)
145E	13769	" " " " "
		Screw (2) .....
250152	13770	Pattern Wheel Shaft Bushing (right) .....
647E	13769	Pattern Wheel Shaft Bushing (right) Screw (2) .....
232600	13771	Pattern Wheel Shaft Collar with two 453c .....
453c	13864	Pattern Wheel Shaft Collar Set Screw .....
250154	13770	Rapid Feed Clutch Disengaging Lever (3) .....
253481	13935	Rapid Feed Clutch Disengaging Sleeve .....
250156	13770	Rapid Feed Clutch Driving Disc
1230c	13951	" " " " "
		Screw (4) .....
201897	13951	Rapid Feed Clutch Roller (3) .....
255095	13932	" " " " Carrier
		with 624E .....
40025	13864	Rapid Feed Clutch Roller Carrier Position Pin .....
624E	13951	Rapid Feed Clutch Roller Carrier Set Screw .....
250153	13770	Rapid Feed Clutch Roller Retainer (3) .....
208E	13903	Rapid Feed Clutch Roller Retainer Screw (3) .....
255096	13936	Rapid Feed Clutch Roller Spring (3) .....
255097	13936	Rapid Feed Clutch Roller Spring Guide Pin .....
250158	13950	Rapid Feed Crank Shaft .....
250159	13950	" " " " Bushing
		(back) .....
250160	13771	Rapid Feed Crank Shaft Bushing (back) Oil Tube (lower) (brass)
250495	13951	Rapid Feed Crank Shaft Bushing (back) Oil Tube (upper) (brass)
250161	13950	Rapid Feed Crank Shaft Bushing (front) .....
436c	13771	Rapid Feed Crank Shaft Bushing Set Screw (2) .....
232600	13771	Rapid Feed Crank Shaft Collar with two 453c .....
453c	13864	Rapid Feed Crank Shaft Collar Set Screw .....
250452	13852	Rapid Feed Crank Shaft Gear with 458c .....

No.	Plate	Name
232719	13946	Rapid Feed Crank Shaft Gear Position Pin .....
458c	13771	Rapid Feed Crank Shaft Gear Set Screw .....
202260	—	Rapid Feed Crank Shaft Oil Packing (wick) (2) .....
250163	13852	Rapid Feed Driving Gear .....
250398	13774	" " " " Key .....
250164	13852	" " Gear Guard .....
641D	13811	" " " " Screw (2) .....
250534	13852	" " Intermediate Gear (bronze) .....
201447c	13771	Rapid Feed Intermediate Gear Screw Stud .....
250405	13771	Rapid Feed Intermediate Gear Screw Stud Washer .....
1510E	13771	Rapid Feed Intermediate Gear Screw Stud Nut .....
250167	13852	Rapid Feed Intermediate Gear Screw Stud Nut Washer .....
253536	13935	Rapid Feed Pawl Bell Crank with 202299 .....
11c	13771	Rapid Feed Pawl Bell Crank Hinge Screw ..
202299	—	Rapid Feed Pawl Bell Crank Oil Packing (wick) .....
250171	13771	Rapid Feed Pawl Bell Crank Slide Block Section (2) .....
250172	13771	Rapid Feed Pawl Guide .....
181D	13771	" " " " Screw (2) ..
350260c	13936	" " " " Hinge Screw ..
1655E	13936	" " " " " Nut
252266	13935	" " Slide Bar .....
250174	13775	" " " " Bushing (left) .....
145E	13769	Rapid Feed Slide Bar Bushing (left) Screw (2) .....
250175	13775	Rapid Feed Slide Bar Bushing (right) .....
647E	13769	Rapid Feed Slide Bar Bushing (right) Screw (2) .....
252269	13936	Rapid Feed Slide Bar Collar with two 448c .....
40025	13864	Rapid Feed Slide Bar Collar Position Pin .....
448c	13874	Rapid Feed Slide Bar Collar Set Screw .....
252267	13935	Rapid Feed Slide Bar Fork Connection with 889c .....

No.	Plate	Name
253538	13936	Rapid Feed Slide Bar Fork Connection Extension Plate .....
176D	13762	Rapid Feed Slide Bar Fork Connection Extension Plate Screw (2) ..
200603E	13951	Rapid Feed Slide Bar Fork Connection Position Screw .....
201448c	13771	Rapid Feed Slide Bar Fork Connection Screw Stud .....
889c	13771	Rapid Feed Slide Bar Fork Connection Set Screw .....
252306	13935	Rapid Feed Slide Bar Lock .....
252271	13936	" " " " " Block
232055	13754	" " " " " " Position Pin .....
704E	13951	Rapid Feed Slide Bar Lock Block Screw (2) .....
350262E	13936	Rapid Feed Slide Bar Lock Hinge Screw .....
250409	13774	Rapid Feed Slide Bar Lock Spring
1241E	13774	" " " " " " Screw Eye .....
252273	13936	Rapid Feed Slide Bar Spring .....
350293E	13936	" " " " " Cap Screw .....
252274	13936	Rapid Feed Slide Bar Spring Washer .....
250180	13854	Rapid Feed Starting Latch .....
199c	13762	" " " " " Cap Screw .....
250181	13854	Rapid Feed Starting Lever with 1454E .....
255053	13935	Rapid Feed Starting Lever (operated by stop motion) with 704c, 1454E, 203213 and 255054 .....
255064	13952	Rapid Feed Starting Lever Latch
350256c	13951	" " " " " Hinge Stud .....
255092	13952	Rapid Feed Starting Lever Latch Spring .....
217E	13952	Rapid Feed Starting Lever Latch Spring Screw .....
253512	13952	Feed Starting Lever Latch Stop Washer .....
193D	13776	Rapid Feed Starting Lever Latch Stop Washer Screw .....
1330c	13854	Rapid Feed Starting Lever Operating Screw Stud .....
201445c	13854	Rapid Feed Starting Lever Position Screw (2) .....

No.	Plate	Name
1454E	13806	Rapid Feed Starting Lever Set Screw .....
250185	13775	Rapid Feed Starting Lever Shaft
250186	13774	" " " " " "
		Collar (left) with 200113F .....
204197	13774	Rapid Feed Starting Lever Shaft
		Collar (right) with 200113F ....
200113F	13774	Rapid Feed Starting Lever Shaft
		Collar Set Screw .....
250409	13774	Rapid Feed Starting Lever Spring
1241E	13774	" " " " " "
		Screw Eye .....
255054	13936	Rapid Feed Starting Lever Stud
704c	13951	" " " " " "
		Set Screw .....
203213	13936	Rapid Feed Starting Lever Stud
		Spring .....
253537	13935	Rapid Feed Starting Pawl .....
250188	13774	" " " " " Spring
201454E	13774	" " " " " "
		Screw Eye .....
250189	13775	Rapid Feed Starting Trip Lever
		with 1454E .....
201445E	13854	Rapid Feed Starting Trip Lever
		Position Screw .....
201437c	13774	Rapid Feed Starting Trip Lever
		Screw Stud .....
1454E	13806	Rapid Feed Starting Trip Lever
		Set Screw .....
201446c	13774	Rapid Feed Stop Latch Hinge
		Screw Stud .....
250194	13774	Rapid Feed Stop Trip Lever .....
56c	13774	" " " " " Hinge
		Screw .....
251168	13856	Rapid Feed Tripping Pawl .....
350109c	13856	" " " " " Hinge
		Screw .....
251169	13856	Rapid Feed Tripping Pawl Lever
250432	13856	" " " " " "
		Bracket .....
232154	13949	Rapid Feed Tripping Pawl Lever
		Bracket Position Pin (2) .....
350110c	13856	Rapid Feed Tripping Pawl Lever
		Bracket Screw .....
14017	13856	Rapid Feed Tripping Pawl Lever
		Bracket Screw Washer .....
72c	13805	Rapid Feed Tripping Pawl Lever
		Hinge Screw .....

No.	Plate	Name
232083	13937	Rapid Feed Tripping Pawl Spring
1241E	13774	" " " " " "
		Screw Eye .....
1242E	13937	Rapid Feed Tripping Pawl Spring
		Screw Stud .....
250195	13775	Rapid Feed Worm with 453c .....
25362	-----	" " " " Ball .....
250196	13775	" " " " Bearing Cap
225007	13774	" " " " Retainer
		with eight 25362 .....
232244	13811	Rapid Feed Worm Position Pin ...
453c	13864	" " " " Set Screw .....
250197	13775	" " " " Wheel .....
250198	13775	" " " " Collar with
		two 453c .....
453c	13864	Rapid Feed Worm Wheel Collar
		Set Screw .....
202244	-----	Rapid Feed Worm Wheel Oil Pack-
		ing (wick) .....
250199	13775	Starting Bell Crank .....
3c	13774	" " " Hinge Screw ..
250200	13774	" Latch .....
648D	13774	" " Hinge Screw .....
250201	13774	" " Spring .....
203E	13769	" " " Screw .....
250202	13775	" Rod .....
250203	13774	" " Block with 203E .....
2273	13947	" " " Position Pin .....
203E	13769	" " " Set Screw .....
40043	13776	" " Collar with 209c (2) ..
209c	13825	" " " Set Screw .....
250204	13776	" " Lock .....
946D	13952	" " " Hinge Screw ....
250205	13776	" " " Spring .....
213D	13806	" " " " Screw .....
250206	13776	" " " " " Washer
250207	13776	" " Safety Lock .....
38D	13776	" " " " Hinge Screw
226467	13776	" " " " " "
		Washer .....
250423	13805	Starting Rod Spring .....
201160E	13951	" " " " Screw Eye ....
250210	-----	Stitch Regulating Gear, 22 teeth..
250211	-----	" " " " 26 teeth..
250212	13776	" " " " 28 teeth..
250598	-----	" " " " 30 teeth..
250213	13899	" " " " 33 teeth..

Note: No. 250213 is furnished with this Machine unless another Stitch Regulating Gear is specified on order.

No.	Plate	Name
250214	13899	Stitch Regulating Gear, 34 teeth..
250415	—	" " " 38 teeth..
250478	—	" " " 42 teeth..
201660c	13776	" " " Lock Nut
250215	13861	" Rotating Lever (lower) with 458c .....
201442E	13771	Stitch Rotating Lever (lower) Position Screw .....
201871	13776	Stitch Rotating Lever (lower) Roller .....
350066c	13776	Stitch Rotating Lever (lower) Roller Screw Stud .....
201666E	13785	Stitch Rotating Lever (lower) Roller Screw Stud Nut .....
458c	13771	Stitch Rotating Lever (lower) Set Screw .....
232591	13861	Stitch Rotating Lever (upper) with 448c .....
40025	13864	Stitch Rotating Lever (upper) Position Pin .....
448c	13874	Stitch Rotating Lever (upper) Set Screw .....
232807	13785	Stitch Rotating Lever Connection (front section) (lower) .....
232593	13776	Stitch Rotating Lever Connection (front section) (upper) .....
232808	13785	Stitch Rotating Lever Connection (rear section) (lower) .....
232592	13776	Stitch Rotating Lever Connection (rear section) (upper) .....
58F	13776	Stitch Rotating Lever Connection Hinge Screw (4) .....
172D	13785	Stitch Rotating Lever Connection Screw (lower) .....
193D	13776	Stitch Rotating Lever Connection Screw (upper) .....
39504	13785	Stitch Rotating Lever Connection Screw Washer (lower) .....
232717	13776	Stitch Rotating Lever Connection Screw Washer (upper) .....
232764	—	Stitch Rotating Lever Connection (lower) complete, Nos. 232807, 232808, two each 172D and 39504
250400	—	Stitch Rotating Lever Connection (upper) complete, Nos. 232592, 232593, 232717 and two 193D ...

No.	Plate	Name
250394	13861	Stitch Rotating Lever Rock Shaft
250216	13861	" " Sector (lower) .....
232597	13861	" " " " Bracket
690D	13899	" " " " "
		Screw .....
226163	13776	Stitch Rotating Sector (lower) Bracket Screw Washer .....
350087c	13776	Stitch Rotating Sector (lower) Hinge Screw .....
250217	13861	Stitch Rotating Sector (upper)
232599	13861	" " " "
		Bracket .....
201395D	13951	Stitch Rotating Sector (upper) Bracket Screw (2) .....
23414	13771	Stitch Rotating Sector (upper) Position Collar with two 453c ..
453c	13864	Stitch Rotating Sector (upper) Position Collar Set Screw .....
251026	13933	Stop Lever with 200352c .....
232262	13777	" " Bracket .....
350263E	13937	" " " Screw .....
250218	13777	" " Crank with 453c .....
40025	13864	" " " Position Pin .....
453c	13864	" " " Set Screw .....
232263	13864	" " Friction Pad (rawhide)
200110D	13811	" " " " Screw (2)
255523	13952	" " Interlocking Slide .....
201084c	13864	" " " " Adjust- ing Screw .....
201628E	13864	Stop Lever Interlocking Slide Ad- justing Screw Nut .....
1178D	13864	Stop Lever Interlocking Slide Screw .....
232265	13864	Stop Lever Interlocking Slide Screw Washer .....
250416	13864	Stop Lever Interlocking Slide Spring .....
250219	13777	Stop Lever Link .....
250220	13777	" " " Connection .....
250221	13864	" " " " Locking Pin .....
250222	13864	Stop Lever Link Connection Lock- ing Pin Spring .....
217D	13952	Stop Lever Link Connection Lock- ing Pin Spring Screw (2) .....
350225D	13937	Stop Lever Link Connection Screw (back) .....
807D	13864	Stop Lever Link Connection Screw (front) .....

No.	Plate	Name
64c	13762	Stop Lever Link Hinge Screw ....
250223	13777	" " Operating Lever .....
11c	13771	" " " " Hinge Screw .....
250224	13864	Stop Lever Operating Plate .....
157c	13864	" " " " Screw
39541	13864	" " " " " Washer .....
40025	13864	Stop Lever Position Pin .....
200352c	13864	" " Set Screw .....
250225	13777	" " Shaft .....
250404	13864	" " Spring .....
201110d	13864	" " " Screw .....
250448	13951	Throat Plate, for flat purl .....
250447	13951	" " Adjusting Block .....
176d	13762	" " Screw .....
250560	13937	" " " Washer .....
250590	13777	Vertical Shaft with two each 204648 and 250589 .....
255522	13935	Vertical Shaft Bevel Gear (lower) with two 453c .....
232719	13946	Vertical Shaft Bevel Gear (lower) Position Pin .....
250227	13777	Vertical Shaft Bevel Gear (upper) (order Position Screw or Set Screw as required) .....
40025	13864	Vertical Shaft Bevel Gear (upper) Position Pin .....
350223E	13946	Vertical Shaft Bevel Gear Position Screw .....
453c	13864	Vertical Shaft Bevel Gear Set Screw .....
250396	13777	Vertical Shaft Bushing (lower)
200100E	13811	" " " " Screw (2) .....
232710	13777	Vertical Shaft Bushing (upper)
575c	13811	" " " " Set Screw .....
250523	13948	Work Clamp Arm (left) .....
250524	13948	" " " (right) .....
250525	13948	" " " Bracket (left)
255057	—	" " " " " 250525 with 250268, 250551, 250552, 253666 and three 2269 .....
250526	13948	Work Clamp Arm Bracket (right)
255058	—	" " " " " 250526 with 250266, 250528, 250529, 253666 and three 2269 .....
201129d	13937	Work Clamp Arm Bracket Screw (back) (4) .....

No.	Plate	Name
253666	13937	Work Clamp Arm Cam with 209F (2) .....
2269	13895	Work Clamp Arm Cam Position Pin (2) .....
209F	13825	Work Clamp Arm Cam Set Screw
250552	13937	" " " " Shaft (left)
250528	13937	" " " " " (right)
201237E	13937	" " " " Stop Screw
201537H	13937	" " " " " " Nut .....
252184	13937	Work Clamp Arm Hinge Block
350123E	13937	" " " " " Hinge Screw .....
200051E	13947	Work Clamp Arm Screw .....
13218	13937	" " " Spring .....
350136E	13937	" " " " Screw ...
253496	13948	" " Base (left) with 232304
255065	—	" " " " 253496 with 93H, 194C, 217E, 602E, 792D, 991E, 1443F, 1550J, 7071, 10249, 13218, 200051E, 200097C, 201237E, 201537H, 228026, 232306, 232311, 232312, 250236, 250239, 250241, 250418, 250419, 250523, 250558, 251518, 251519, 252184, 252202, 255003, 255016, 255057, 350080D, 350136E, two each 207F, 201121D, 201129D, 350123E and eight 934H .....
250236	13948	Work Clamp Base (left) Guard
934H	13952	" " " " " Screw .....
253497	13948	Work Clamp Base (right) with 232304 .....
255066	—	Work Clamp Base (right) 253497 with 93H, 602E, 792D, 991E, 1443F, 1550J, 13218, 200051E, 201237E, 201537H, 232270 to 232272, 232306, 232311, 232312, 250238, 250240, 250242, 250275, 250524, 250559, 252184, 252202, 255003, 255016, 255058, 350136E, two each 200186B, 201121D, 201129D, 350123E, four 207F and eight 934H .....
250238	13948	Work Clamp Base (right) Guard
934H	13952	" " " " " Screw .....
250239	13948	Work Clamp Base Clamping Plate (left) .....
250240	13948	Work Clamp Base Clamping Plate (right) .....



No.	Plate	Name
934H	13952	Work Clamp Base Clamping Plate Screw .....
232304	13951	Work Clamp Base Hinge Stud ....
232678	13951	" " " Locking Spring (left) .....
232679	13951	Work Clamp Base Locking Spring (right) .....
792D	13936	Work Clamp Base Locking Spring Screw (2) .....
39541	13864	Work Clamp Base Locking Spring Screw Washer (2) .....
250439	13937	Work Clamp Base Retaining Stud
250241	13887	" " " Spring (left) ..
250242	13887	" " " " (right) ..
232306	13952	" " " " (front)
232311	13952	" " " " " "
		Catch .....
350215E	13951	Work Clamp Base Spring (front) Catch Stud (2) .....
93H	13951	Work Clamp Base Spring (front) Screw .....
1443F	13887	Work Clamp Base Spring Screw
201451E	13887	" " " " " "
		Stud (2) .....
232309	13952	Work Clamp Base Stop Block (2)..
232310	13887	" " " " " Posi- tion Pin (2) .....
201148H	13952	Work Clamp Base Stop Block Screw (2) .....
253502	13948	Work Clamp Carrier Base Plate with 250439 .....
232462	13826	Work Clamp Carrier Base Plate Slide Rod .....
201643E	13825	Work Clamp Carrier Base Plate Slide Rod Nut .....
200119D	13937	Work Clamp Carrier Base Plate Slide Rod Set Screw .....
250244	13826	Work Clamp Carrier Feed Lever
350185C	13937	" " " " " "
		Hinge Screw .....
250245	13825	Work Clamp Carrier Feed Lever Link .....
250246	13825	Work Clamp Carrier Feed Lever Link Block .....
50168E	13825	Work Clamp Carrier Feed Lever Link Block Screw (2) .....
350070C	13785	Work Clamp Carrier Feed Lever Link Hinge Screw (block end)..
350216C	13937	Work Clamp Carrier Feed Lever Link Hinge Screw (lever end)..

No.	Plate	Name
201868	13825	Work Clamp Carrier Feed Lever Roller .....
201988	—	Work Clamp Carrier Feed Lever Roller 201868 with 255075 and 350072E .....
350072E	13785	Work Clamp Carrier Feed Lever Roller Cap Screw .....
255075	13937	Work Clamp Carrier Feed Lever Roller Stud .....
255076	13937	Work Clamp Carrier Feed Lever Roller Stud Washer .....
250248	13954	Work Clamp Carrier Side Throw Lever (lower section) with 201097C and 201530E .....
250249	13954	Work Clamp Carrier Side Throw Lever (upper section) with 201374E and 201937 .....
250599	13937	Work Clamp Carrier Side Throw Lever Hinge Stud .....
250600	13937	Work Clamp Carrier Side Throw Lever Hinge Stud Collar with two 448C .....
448C	13874	Work Clamp Carrier Side Throw Lever Hinge Stud Collar Set Screw .....
435C	13885	Work Clamp Carrier Side Throw Lever Hinge Stud Set Screw ..
250250	13825	Work Clamp Carrier Side Throw Lever Lock Pin with 201940 and 350072E .....
201940	13825	Work Clamp Carrier Side Throw Lever Lock Pin Roller .....
350072E	13785	Work Clamp Carrier Side Throw Lever Lock Pin Roller Cap Screw
201430C	13825	Work Clamp Carrier Side Throw Lever Lock Pin Screw Stud ....
250251	13825	Work Clamp Carrier Side Throw Lever Lock Pin Spring .....
191C	13825	Work Clamp Carrier Side Throw Lever Lock Pin Spring Screw (2)
201873	13825	Work Clamp Carrier Side Throw Lever Roller .....
201937	13825	Work Clamp Carrier Side Throw Lever Roller 201873 with 201144E and 232686 .....
201144E	13825	Work Clamp Carrier Side Throw Lever Roller Cap Screw .....
232686	13826	Work Clamp Carrier Side Throw Lever Roller Stud .....

No.	Plate	Name
201374E	13952	Work Clamp Carrier Side Throw Lever Roller Stud Cap Screw ..
232321	13826	Work Clamp Carrier Side Throw Lever Slide Block .....
250252	13826	Work Clamp Carrier Side Throw Lever Slide Block Guide .....
231c	13826	Work Clamp Carrier Side Throw Lever Slide Block Guide Screw (3) .....
201097c	13826	Work Clamp Carrier Side Throw Lever Slide Block Screw Stud
201530E	13826	Work Clamp Carrier Side Throw Lever Slide Block Screw Stud Nut .....
250253	13954	Work Clamp Carrier Slide (left) with 200119D .....
250254	13954	Work Clamp Carrier Slide (right) with 200119D .....
255082	13938	Work Clamp Carrier Slide adjusting Bracket with 255061 and two 208D .....
236D	13949	Work Clamp Carrier Slide Adjusting Bracket Screw (2) .....
208D	13903	Work Clamp Carrier Slide Adjusting Screw .....
255061	13938	Work Clamp Carrier Slide Adjusting Screw Locking Plate .....
255509	13938	Work Clamp Carrier Slide Gib (left, back) .....
255510	13938	Work Clamp Carrier Slide Gib (left, front) .....
255511	13938	Work Clamp Carrier Slide Gib (right, back) .....
255512	13938	Work Clamp Carrier Slide Gib (right, front) .....
1094E	13947	Work Clamp Carrier Slide Gib Screw .....
250255	13954	Work Clamp Carrier Slide Stay Plate .....
250597	13938	Work Clamp Carrier Slide Stay Plate Position Pin (2) .....
231c	13826	Work Clamp Carrier Slide Stay Plate Screw (5) .....
250558	13887	Work Clamp Check (left) with 1296E .....
250559	13887	Work Clamp Check (right) with 1296E .....

No.	Plate	Name
602E	13887	Work Clamp Check Screw .....
1296E	13912	" " " Stop Screw ...
252194	13823	" " Closing Lever .....
252196	13823	" " " Adjusting Arm with 201531H, 201948 and 228026 .....
1178E	13864	Work Clamp Closing Lever Adjusting Arm Screw .....
14017	13856	Work Clamp Closing Lever Adjusting Arm Screw Washer .....
255021	13935	Work Clamp Closing Lever Cam Groove Protector .....
210750	13952	Work Clamp Closing Lever Cam Groove Protector Position Pin ..
172D	13785	Work Clamp Closing Lever Cam Groove Protector Screw .....
255022	13938	Work Clamp Closing Lever Cam Safety Latch .....
350198E	13938	Work Clamp Closing Lever Cam Safety Latch Hinge Screw .....
255023	13938	Work Clamp Closing Lever Cam Safety Latch Spring .....
250261	13891	Work Clamp Closing Lever Disengaging Block .....
183c	13891	Work Clamp Closing Lever Disengaging Block Screw .....
250406	13771	Work Clamp Closing Lever Disengaging Block Shim (.005 in. thick)
250407	13771	Work Clamp Closing Lever Disengaging Block Shim (.010 in. thick)
255068	13938	Work Clamp Closing Lever Engaging Stud .....
250263	13823	Work Clamp Closing Lever Engaging Stud Latch .....
250264	13891	Work Clamp Closing Lever Engaging Stud Latch Spring .....
1241E	13774	Work Clamp Closing Lever Engaging Stud Latch Spring Screw Eye
201956	13938	Work Clamp Closing Lever Engaging Stud Roller .....
255069	13938	Work Clamp Closing Lever Engaging Stud Roller Cap .....
350133E	13891	Work Clamp Closing Lever Engaging Stud Screw .....
250265	13891	Work Clamp Closing Lever Engaging Stud Spring .....
255070	—	Work Clamp Closing Lever Engaging Stud complete, Nos. 201956, 255068, 255069 and 350133E ....

No.	Plate	Name
250266	13887	Work Clamp Closing Lever (hand) with 209F .....
2269	13895	Work Clamp Closing Lever (hand) Position Pin .....
209F	13825	Work Clamp Closing Lever (hand) Set Screw .....
201438C	13891	Work Clamp Closing Lever Hinge Screw .....
201947	13891	Work Clamp Closing Lever Roller
201948	13891	" " " " " " 201947 with 350156E .....
350156E	13891	Work Clamp Closing Lever Roller Screw Stud .....
201531H	13946	Work Clamp Closing Lever Roller Screw Stud Nut .....
228026	13947	Work Clamp Closing Lever Roller Screw Stud Washer .....
250267	13891	Work Clamp Closing Lever Spring
1241E	13774	" " " " " " Screw Eye (2) .....
991C	13891	Work Clamp Closing Lever Stop Screw .....
250268	13887	Work Clamp Connection Lever (left) with 209F .....
250529	13887	Work Clamp Connection Lever (right) with 209F .....
2269	13895	Work Clamp Connection Lever Position Pin (2) .....
209F	13825	Work Clamp Connection Lever Set Screw .....
250270	13950	Work Clamp Opening Bell Crank with 1819 .....
659D	13895	Work Clamp Opening Bell Crank Hinge Screw .....
1819	13895	Work Clamp Opening Bell Crank Roller and Stud .....
232200	13895	Work Clamp Opening Bell Crank Spring .....
1241E	13774	Work Clamp Opening Bell Crank Spring Screw Eye .....
253680	13952	Work Clamp Opening Cam with 462c .....
12509	13952	Work Clamp Opening Cam Position Pin .....
462c	13847	Work Clamp Opening Cam Set Screw .....
250551	13895	Work Clamp Opening Lever with 1253c .....

No.	Plate	Name
251519	13939	Work Clamp Opening Lever Latch
253679	13950	" " " " " " Releasing Bracket with 200E, 1547J and 350218c .....
200E	13846	Work Clamp Opening Lever Latch Releasing Bracket Set Screw ..
350218c	---	Work Clamp Opening Lever Latch Releasing Screw .....
1547J	---	Work Clamp Opening Lever Latch Releasing Screw Nut .....
10249	13939	Work Clamp Opening Lever Latch Spring .....
217E	13952	Work Clamp Opening Lever Latch Spring Screw .....
7071	13856	Work Clamp Opening Lever Latch Spring Screw Washer .....
194c	13774	Work Clamp Opening Lever Latch Stop Screw Stud .....
2269	13895	Work Clamp Opening Lever Position Pin .....
1253c	13895	Work Clamp Opening Lever Set Screw .....
255077	13939	Work Clamp Opening Rod .....
255078	13939	" " " " " " Connec- tion .....
255079	---	Work Clamp Opening Rod complete, Nos. 203c, 1662c, 250287, 253679, 255077 and 255078 .....
807D	13864	Work Clamp Opening Rod Connec- tion Hinge Screw .....
250274	13895	Work Clamp Opening Rod Guide with 808D .....
808D	13895	Work Clamp Opening Rod Guide Pinch Screw .....
1662J	13939	Work Clamp Opening Rod Nut ....
250275	13895	" " " " Stop (adjust- able) (2) .....
207F	13895	Work Clamp Opening Stop Screw (2) .....
250276	13952	Work Clamp Spreader (left) ....
350140D	13952	" " " " " " Screw
250277	13952	" " " " (right) .....
201463D	13785	" " " " " " Screw ..
991E	13891	" " " " " " Adjusting Screw .....
252202	13953	Work Clamp Spreader Adjusting Screw Bracket .....
207F	13895	Work Clamp Spreader Adjusting Screw Bracket Screw .....

No.	Plate	Name
1550J	13891	Work Clamp Spreader Adjusting Screw Nut .....
250279	13954	Work Clamp Spreader Base Plate
50058D	13785	" " " " " Screw (2) .....
253503	13952	Work Clamp Spreader Cam .....
253504	13952	" " " " Crank with 906c .....
2269	13895	Work Clamp Spreader Cam Crank Position Pin .....
906c	13949	Work Clamp Spreader Cam Crank Set Screw .....
253505	13953	Work Clamp Spreader Connection
253506	13953	" " " " " Bracket with 201981 .....
1981	13953	Work Clamp Spreader Connection Bracket Roller .....
201981	13953	Work Clamp Spreader Connection Bracket Roller 1981 with 253524
253524	---	Work Clamp Spreader Connection Bracket Roller Stud .....
208E	13903	Work Clamp Spreader Connection Bracket Screw (2) .....
201453c	13953	Work Clamp Spreader Connection Hinge Screw .....
250281	13953	Work Clamp Spreader Connection Link (left) .....
253507	13953	Work Clamp Spreader Connection Link (right) .....
201452E	13785	Work Clamp Spreader Connection Link Hinge Screw (2) .....
253508	13953	Work Clamp Spreader Lever (front) .....
940F	13953	Work Clamp Spreader Lever (front) Hinge Screw .....
194c	13774	Work Clamp Spreader Lever (front) Screw Stud .....
253509	13953	Work Clamp Spreader Operating Fork Lever .....
212D	13825	Work Clamp Spreader Operating Fork Lever Cap Screw .....
253510	13950	Work Clamp Spreader Operating Fork Lever Connection .....
106c	13953	Work Clamp Spreader Operating Fork Lever Connection Hinge Screw (front) .....
99c	13953	Work Clamp Spreader Operating Fork Lever Connection Hinge Screw (rear) .....

No.	Plate	Name
350138E	13939	Work Clamp Spreader Operating Fork Lever Hinge Screw .....
255081	13939	Work Clamp Spreader Operating Fork Lever Stop Plate .....
203E	13769	Work Clamp Spreader Operating Fork Lever Stop Plate Screw ...
7071	13856	Work Clamp Spreader Operating Fork Lever Stop Plate Screw Washer .....
250285	13785	Work Clamp Spreader Operating Pawl .....
252512	13953	Work Clamp Spreader Operating Pawl Adjusting Block .....
176D	13762	Work Clamp Spreader Operating Pawl Adjusting Block Screw ..
7071	13856	Work Clamp Spreader Operating Pawl Adjusting Block Screw Washer .....
132E	13785	Work Clamp Spreader Operating Pawl Adjusting Screw .....
201669E	13785	Work Clamp Spreader Operating Pawl Adjusting Screw Nut ....
741c	13847	Work Clamp Spreader Operating Pawl Hinge Screw .....
250286	13785	Work Clamp Spreader Operating Pawl Spring .....
201314c	13785	Work Clamp Spreader Operating Pawl Stop Screw .....
252513	---	Work Clamp Spreader Operating Pawl complete, Nos. 176D, 7071, 250285 and 252512 .....
232312	13953	Work Clamp Spreader Plate (2) ..
201121D	13953	" " " " Screw (4) .....
250287	13785	Work Clamp Spreader Releaser
203c	13769	" " " " " Screw .....
201314c	13785	Work Clamp Spreader Screw Stud (2) .....
253525	13953	Work Clamp Spreader Retaining Plate .....
237F	13756	Work Clamp Spreader Retaining Plate Screw .....
255003	13939	Work Clamp Spring (2) .....
255016	13939	" " " " Wear Plate (2) ..
792D	13936	" " " " " Screw (2) .....

## ACCESSORIES

No.	Plate	Name
255049	13946	Buttonhole Cutting Block (steel), 1 in. (eye or taper bar) .....
250467	13946	Buttonhole Cutting Knife (.100 x .180 eye) .....
250212	13776	Stitch Regulating Gear, 28 teeth ..
232486	13865	Threader Wire (large) .....
250412	13865	" " (small) .....
255513	13866	Tweezers .....
255093	13941	Work Position Gauge (left) .....
255094	13941	" " " (right) .....
1443F	13887	" " " Screw (2) ..
203149	13941	" " " " Washer (2) .....
142 x 5	---	Needles, six, size 17 .....
250004	13865	Bed Cushion (leather) (back) ....
250006	13865	" " " (front) .....
250007	13865	" " " (rawhide) (inside) ....
250008	13865	" " " (outside) .....
158E	13865	" " Screw, for 250018 .....
250018	13865	" Support (left) with 250004, 250006, 250008, two 250007 and six 158E .....
250019	13865	Bed Support (right) with 250004, 250006, 250008, two 250007 and six 158E .....
250288	---	Drip Pan .....
250408	13865	Machine Rest (high) with 232982 and two wood screws 1 in., No. 13
232982	---	Machine Rest Cushion (leather) ..
120346	13865	Oiler (copper plated) with 120347
120347	13865	" Spout, 9 in. long .....
11831	13866	Screw Driver, 5 in. blade (machine, large) .....
*225484	---	Screw Driver Blade .....
*250521	---	" " " .....
*225485	---	" " Handle .....
*225483	---	" " " .....
225498	13866	Screw Driver complete (7 1/2 in. long), Nos. 225484 and 225485 ..
250522	13866	Screw Driver complete (for needle set screw), Nos. 225483 and 250521
250543	13950	Stitch Regulating Gear Holder ...

No.	Plate	Name
8909	13866	Wrench, for 201628 and 201660 ....
10875	13866	" " 201524 .....
23535	13866	" " 1697 and 1698 .....
25200	13866	" " 1528 and 201643 .....
42850	13866	" " 1550 .....
232900	13866	" " 201362 and 201668 ....
232935	13866	" " 201658, 201659 and 201670 .....
250289	13866	Wrench, for 201424 and 350111 ....
250402	13865	" " 201442 and 201445 ....
		Wood Screws 1 1/4 in., No. 12 (4) ..

### THREAD UNWINDER

232417	13940	Spool Pin .....
225375	13940	" " (wood) .....
232895	13940	" " Arm with 759F .....
232896	13940	" " " Bracket with two 448c .....
448c	13874	Spool Pin Arm Bracket Set Screw
448c	13874	" " Set Screw .....
250424	13806	" " Cap .....
200159F	13941	" " " Screw .....
759F	13941	" " Thumb Set Screw .....
225389	13944	" Rest (for one spool) with 201018c .....
225395	13944	Spool Rest (for two spools) with 201018c .....
232987	13944	Spool Rest Cushion (felt) .....
250453	13944	" " Rod (lower) .....
225388	13944	" " " (upper) .....
250454	13940	" " " Coupling with two 456c .....
456c	13941	Spool Rest Rod Coupling Set Screw
200383c	13871	Spool Rest Rod Set Screw, for 202490 .....
201018c	13941	Spool Rest Set Screw .....
202490	13944	" Stand with 200383c .....
225390	13940	Thread Cone Holder .....
250472	13940	" Cop Holder .....
225391	13940	" Guide .....
201696J	13941	" " Lock Nut .....
350192J	13941	" " Screw Stud .....
225393	13941	" " " " Washer ..
200164B	13941	" " Stud Set Screw .....

No.	Plate	Name
225376	—	Thread Unwinder complete, Nos. 200164B, 201696J, 202490, 225388, 225389, 225393, 225395, 250453, 250454, 250472, 350192J, three each 200159E, 225375, 225390, 232417, 232895, 232896, 232987, 250424, four 225391 and three wood screws $\frac{3}{8}$ in., No. 12 .....

## DRIVING EQUIPMENT

228628	—	Belt (gilt edge), size $\frac{5}{8}$ in. diam., length 83 in., with two 25029 ..
228629	—	Belt (gilt edge), size $\frac{3}{4}$ in. diam., length 57 in., with 25030 .....
228630	—	Belt (gilt edge), size $\frac{3}{4}$ in. diam., length 120 in., with two 25030 ..
228631	—	Belt (gilt edge), size $\frac{3}{4}$ in. diam., length 133 in., with two 25030 ..
228608	—	Belt Guard, for Bridgeport Old Style Power Table (trough), with two wood screws $\frac{3}{4}$ in., No. 10 ..
228610	—	Belt Guard, for E'port Old Style Power Table (trough), with two wood screws $\frac{3}{4}$ in., No. 10 .....
25029	13955	Belt Hook .....
25030	13941	" " .....
228565	13870	" Shifter .....
228566	13870	" " Lever with 200526c .....
228567	13871	" " " Hinge Stud .....
200335c	13871	" " " " " Set Screw .....
228632	13933	Belt Shifter Locking Spring .....
200526c	13871	" " Set Screw .....
228618	13926	Buttonhole Cutter Driving Pulley, $\frac{45}{8}$ in. diam., with 200342c and 200347c .....
228619	13926	Buttonhole Cutter Driving Pulley Driving Pinion, 16 teeth, with 454c .....
2117	13871	Buttonhole Cutter Driving Pulley Driving Pinion Pin .....
454c	13941	Buttonhole Cutter Driving Pulley Driving Pinion Set Screw .....
200342c	13871	Buttonhole Cutter Driving Pulley Position Screw .....

No.	Plate	Name
200347c	13871	Buttonhole Cutter Driving Pulley Set Screw .....
228579	13869	Buttonhole Cutter Driving Pulley Shaft .....
228580	13869	Buttonhole Cutter Driving Pulley Shaft Bushing with 224392 .....
224392	—	Buttonhole Cutter Driving Pulley Shaft Bushing Oil Packing (wick) .....
350028c	13871	Buttonhole Cutter Driving Pulley Shaft Bushing Set Screw .....
228620	13926	Buttonhole Cutter Driving Pulley Shaft Gear, 48 teeth, with 448c ..
2117	13871	Buttonhole Cutter Driving Pulley Shaft Gear Pin .....
448c	13874	Buttonhole Cutter Driving Pulley Shaft Gear Set Screw .....
228593	13869	Counter Shaft (hollow) with 200370c and 228595 .....
210833	13871	Counter Shaft Collar with two 200383c .....
200383c	13871	Counter Shaft Collar Set Screw ..
228590	13870	" " Driving Pulley (loose), 5 in. diameter .....
228591	13870	Counter Shaft Driving Pulley (tight), 5 in. diam., with 200352c and 200363c .....
200352c	13864	Counter Shaft Driving Pulley Position Screw .....
200363c	13871	Counter Shaft Driving Pulley Set Screw .....
228601	13870	Counter Shaft Hanger with 200335c and 20224 .....
228588	13870	Counter Shaft Hanger Belt Guard (double) .....
228597	13870	Counter Shaft Hanger Belt Guard (single) .....
200002E	13871	Counter Shaft Hanger Belt Guard Screw .....
202244	—	Counter Shaft Hanger Oil Packing (wick) .....
50294E	13871	Counter Shaft Hanger Screw .....
51046E	13941	" " " " " .....
41125	13871	" " " " " Washer .....
228602	13871	" " Oil Cup .....
228594	—	" " " Packing Wick .....
228595	13869	" " " " " " Wire with 228594 .....
200370c	13871	Counter Shaft Oil Stop Screw .....
228592	13870	" " Pulley, $\frac{57}{8}$ in. diam., with 200352c and 200363c .....

No.	Plate	Name
200352c	13864	Counter Shaft Pulley Position Screw .....
200363c	13871	Counter Shaft Pulley Set Screw ..
228596	—	Counter Shaft Hanger complete, for Old Style Power Table, Nos. 50294E, 200002E, 210833, 228565 to 228567, 228588, 228590 to 228593, 228601, 228602, 228632, two 51046E, and three 41125 .....
228598	—	Counter Shaft Hanger complete, for Singer Safety Power Table, Nos. 50294E, 200002E, 210833, 228565 to 228567, 228590 to 228593, 228597, 228601, 228602, 228632, two 51046E and three 41125 .....
228573	13870	Driving Attachment Belt Guard with 228607 .....
228607	13926	Driving Attachment Belt Guard Drain Valve .....
50075J	13871	Driving Attachment Belt Guard Thumb Screw .....
228574	13870	Driving Attachment Bracket with 11119, 228575 and four 350028c ..
228575	13871	Driving Attachment Bracket Oil Cup .....
11119	13871	Driving Attachment Bracket Oil Tube with 29599 .....
29599	—	Driving Attachment Bracket Oil Tube Packing (felt) .....
51046E	13941	Driving Attachment Bracket Screw
41125	13871	“ “ “ “ Washer .....
228624	13926	Driving Pulley, 6 in. diam., with 200374c and 200396c .....
200396c	13754	Driving Pulley Position Screw ....
200374c	13754	“ “ Set Screw, for 228624
228625	13926	“ “ Shaft .....
228571	13869	“ “ “ Bushing with 202260 .....
202260	—	Driving Pulley Shaft Bushing Oil Packing (wick) .....
350028c	13871	Driving Pulley Shaft Bushing Set Screw .....
228626	13926	Driving Pulley Shaft Collar with two 200378c .....
200378c	13955	Driving Pulley Shaft Collar Set Screw .....
228621	13926	Machine Driving Pulley (loose), 3½ in. diameter .....

No.	Plate	Name
228622	13926	Machine Driving Pulley Clutch ....
214179	13941	“ “ “ “ Roller
214181	13941	“ “ “ “ “ “ Spring .....
214180	13941	Machine Driving Pulley Clutch Roller Spring Plunger .....
200050c	13941	Machine Driving Pulley Clutch Screw .....
228623	13926	Machine Driving Pulley Collar with two 200364c .....
200364c	13946	Machine Driving Pulley Collar Set Screw .....
228627	—	Driving Attachment complete, Nos. 50075J, 228573, 228574, 228579, 228580, 228618 to 228626, two each 2117, 228571, three each 41125, 51046E, 200050c and 214179 to 214181 .....
228578	—	Driving Attachment and Idler complete, Nos. 228587 and 228627 ..
234342	—	Front Plank Extension (back) with two wood screws 1½ in., No. 10 (for flat table) .....
234343	—	Front Plank Extension (back) with three wood screws 1½ in., No. 10 and six 1½ in. wire nails, for Singer Safety Power Table (trough) .....
234344	—	Front Plank Extension (front) with two wood screws 2¼ in., No. 12 and three wood screws 1¾ in., No. 12 .....
228581	13870	Idler Pulley .....
228643	13954	“ “ Belt Guard with 200526c
200526c	13871	“ “ “ “ Set Screw ..
228644	13954	“ “ Bracket with 200526c ..
200019E	13871	“ “ “ Screw .....
228584	13869	“ “ Shaft with 228586 ....
204246	13871	“ “ “ Collar with two 200383c .....
200383c	13871	Idler Pulley Shaft Collar Set Screw
228602	13871	“ “ “ Oil Cup .....
228585	—	“ “ “ “ Wick .....
228586	13869	“ “ “ “ “ Wire with 228585 .....
200526c	13871	Idler Pulley Shaft Set Screw ....
228587	—	Idler complete, Nos. 228584, 228602, 228644, two each 228581, 228643 and three 200019c .....

No.	Plate	Name
228604	—	Motor Base with four each 41125 and 50294E .....
50294E	13871	Motor Base Screw .....
41125	13871	" " " Washer .....
228599	—	Driving Equipment complete, for Old Style Power Table (flat), Nos. 27068, 228578, 228596, 228628, 228631, 234342, 234344 and blue print template .....
228600	—	Driving Equipment complete, for Singer Safety Power Table (flat), Nos. 41228, 228578, 228598, 228628, 228630, 234342, 234344 and blue print template .....
228605	—	Driving Equipment complete, for Individual Motor Table, Nos. 228627 to 228629 .....
228606	—	Driving Equipment complete, for Singer Safety Power Table (trough), Nos. 41228, 228578, 228598, 228628, 228630, 234343, 234344 and blue print template ..
228609	—	Driving Equipment complete, for Bridgeport Old Style Power Table (trough), Nos. 27068, 228578, 228596, 228608, 228628, 228631, 234344 and blue print template ..
228611	—	Driving Equipment complete, for E'port Old Style Power Table (trough), Nos. 27068, 228578, 228596, 228610, 228628, 228631, 234344 and blue print template ..
228612	—	Driving Equipment complete, for use in connection with Electric Transmitter Motor on Power Table (flat), Nos. 228627 to 228629, 234342, 234344 and blue print template .....
228613	—	Driving Equipment complete, for use in connection with Electric Transmitter Motor on Power Table (E'port trough), Nos. 228610, 228627 to 228629, 234344 and blue print template .....

## BUTTONHOLE CUTTING BLOCKS

No.	Plate	Name
255046	—	Buttonhole Cutting Block (steel), $\frac{5}{8}$ in. (eye or taper bar) .....
255047	—	Buttonhole Cutting Block (steel), $\frac{3}{4}$ in. (eye or taper bar) .....
255048	—	Buttonhole Cutting Block (steel), $\frac{7}{8}$ in. (eye or taper bar) .....
255049	13946	Buttonhole Cutting Block (steel), 1 in. (eye or taper bar) .....
255050	—	Buttonhole Cutting Block (steel), $1\frac{1}{4}$ in. (eye or taper bar) .....
255051	—	Buttonhole Cutting Block (steel), $1\frac{1}{2}$ in. (eye or taper bar) .....
255052	—	Buttonhole Cutting Block (steel), $1\frac{3}{4}$ in. (eye or taper bar) .....
255045	—	Buttonhole Cutting Block (steel), $1\frac{1}{2}$ in. (eye or taper bar) .....
255084	—	Buttonhole Cutting Block (steel), $\frac{5}{8}$ in. (straight) .....
255085	—	Buttonhole Cutting Block (steel), $\frac{3}{4}$ in. (straight) .....
255087	13946	Buttonhole Cutting Block (steel), 1 in. (straight) .....
255088	—	Buttonhole Cutting Block (steel), $1\frac{1}{4}$ in. (straight) .....
255089	—	Buttonhole Cutting Block (steel), $1\frac{1}{2}$ in. (straight) .....
255091	—	Buttonhole Cutting Block (steel), $1\frac{1}{2}$ in. (straight) .....

## BUTTONHOLE CUTTING KNIVES

250467	13946	Buttonhole Cutting Knife (100 x .180 eye) .....
250461	—	Buttonhole Cutting Knife (126 x .180 eye) .....
250466	13946	Buttonhole Cutting Knife (straight)



## BUTTONHOLE CORDING DEVICE

No.	Plate	Name
252503	13942	Cord Leader (upper) .....
250497	13942	" " " Gib .....
223D	13955	" " " Screw .....
202603	13900	" " " Washer ..
250498	13942	" " " Slide .....
250499	13942	" " " " Cap Plate.
200161D	13942	" " " " Screw ...
250500	13942	" " " " Spring ...
252532	13942	" " " Wire .....
252524	—	Cord Leader (upper) complete, Nos. 223D, 202603, 250497 to 250500, 252503 and two 200161D .....
201710D	13942	Cord Spool Adjusting Thumb Nut
350163D	13942	" " " " " "
		Clamping Screw .....
350162E	13942	Cord Spool Tension Stud .....
252533	13942	" " " " Bracket (upper) .....
252535	—	Cord Spool Tension Stud Bracket 252533 with 1520J, 10111, 10112, 201710D, 350162E and 350163D ...
10111	13941	Cord Spool Tension Stud Cone ....
10112	13941	" " " " " Spring
1520J	13856	" " " " " Nut .....
252506	—	Cording Device complete, Nos. 252524, 252532 and 252535 .....
252625	13954	Work Clamp Arm (left) .....
252627	13954	" " " (right) .....
250553	13912	" " Check (left) with 1296E
250554	—	Work Clamp Check (left) complete, Nos. 250512, 250553 and two 229D
250555	13912	Work Clamp Check (right) with 1296E .....
250556	—	Work Clamp Check (right) com- plete, Nos. 250513, 250555 and two 229D .....
250512	13912	Work Clamp Check Extension (left)
250513	13912	" " " " (right)
229D	13912	" " " " Screw
1296E	13912	" " " Stop Screw ....

## COUNTER SHAFT DRIVING PULLEYS

No.	Plate	Name
41219	—	Driving Pulley (sectional, grooved), 3 in. diam., $\frac{1}{8}$ in. bore (for Table Shaft), with two 50399E .....
41220	—	Driving Pulley (sectional, grooved), 3 $\frac{1}{4}$ in. diam., $\frac{1}{8}$ in. bore (for Table Shaft), with two 50399E .....
41221	—	Driving Pulley (sectional, grooved), 3 $\frac{1}{2}$ in. diam., $\frac{1}{8}$ in. bore (for Table Shaft), with two 50399E .....
41222	—	Driving Pulley (sectional, grooved), 3 $\frac{3}{4}$ in. diam., $\frac{1}{8}$ in. bore (for Table Shaft), with two 50399E .....
41223	—	Driving Pulley (sectional, grooved), 4 in. diam., $\frac{1}{8}$ in. bore (for Table Shaft), with two 50399E .....
41224	—	Driving Pulley (sectional, grooved), 4 $\frac{1}{4}$ in. diam., $\frac{1}{8}$ in. bore (for Table Shaft), with two 50399E .....
41228	—	Driving Pulley (sectional, grooved), 5 $\frac{1}{4}$ in. diam., $\frac{1}{8}$ in. bore, with two 50399E .....
50399E	13955	Driving Pulley Clamp Screw .....

## SHAFT PULLEYS

27271	—	Shaft Pulley (sectional, grooved), 4 in. diam., $1\frac{1}{8}$ in. bore, with two 597c .....
232920	—	Shaft Pulley (sectional, grooved), 4 $\frac{1}{2}$ in. diam., $1\frac{1}{8}$ in. bore, with two 597c .....
27065	—	Shaft Pulley (sectional, grooved), 5 in. diam., $1\frac{1}{8}$ in. bore, with two 597c .....
232879	—	Shaft Pulley (sectional, grooved), 5 $\frac{1}{2}$ in. diam., $1\frac{1}{8}$ in. bore, with two 597c .....

No.	Plate	Name
27066	—	Shaft Pulley (sectional, grooved), 6 in. diam., $1\frac{3}{8}$ in. bore, with two 597c .....
232880	—	Shaft Pulley (sectional, grooved), $6\frac{1}{2}$ in. diam., $1\frac{3}{8}$ in. bore, with two 597c .....
27067	—	Shaft Pulley (sectional, grooved), 7 in. diam., $1\frac{3}{8}$ in. bore, with two 597c .....
232881	—	Shaft Pulley (sectional, grooved), $7\frac{1}{2}$ in. diam., $1\frac{3}{8}$ in. bore, with two 597c .....
27068	—	Shaft Pulley (sectional, grooved), 8 in. diam., $1\frac{3}{8}$ in. bore, with two 597c .....
232882	—	Shaft Pulley (sectional, grooved), $8\frac{1}{2}$ in. diam., $1\frac{3}{8}$ in. bore, with two 597c .....
27069	—	Shaft Pulley (sectional, grooved), 9 in. diam., $1\frac{3}{8}$ in. bore, with two 597c .....
232883	—	Shaft Pulley (sectional, grooved), $9\frac{1}{2}$ in. diam., $1\frac{3}{8}$ in. bore, with two 597c .....
27070	—	Shaft Pulley (sectional, grooved), 10 in. diam., $1\frac{3}{8}$ in. bore, with two 597c .....
27072	—	Shaft Pulley (sectional, grooved), 12 in. diam., $1\frac{3}{8}$ in. bore, with two 597c .....
27074	—	Shaft Pulley (sectional, grooved), 14 in. diam., $1\frac{3}{8}$ in. bore, with two 597c .....
27075	—	Shaft Pulley (sectional, grooved), 15 in. diam., $1\frac{3}{8}$ in. bore, with two 597c .....
597c 13955		Shaft Pulley Clamping Screw ....

## PATTERN WHEELS

For Making EYELET END Buttonholes with  
LARGE EYE

No.	Plate	Name
250360	—	Pattern Wheel, $\frac{5}{8}$ in., complete, Nos. 250359, 255024, two each 203e, 250372 and three 391D ....
251217	—	Pattern Wheel, $\frac{5}{8}$ in., complete, Nos. 251216, 255024, two each 203e, 250372 and three 391D ....
250362	—	Pattern Wheel, $\frac{3}{4}$ in., complete, Nos. 250361, 255025, two each 203e, 250372 and three 391D ....
251221	—	Pattern Wheel, $\frac{7}{8}$ in., complete, Nos. 251220, 255025, two each 203e, 250372 and three 391D ....
251223	—	Pattern Wheel, 1 in., complete, Nos. 251222, 255026, two each 203e, 250372 and three 391D ....
251225	—	Pattern Wheel, $1\frac{1}{8}$ in., complete, Nos. 251224, 255027, two each 203e, 250372 and three 391D ....
250364	—	Pattern Wheel, 1 in., complete, Nos. 250363, 255028, two each 203e, 250372 and three 391D ....
251229	—	Pattern Wheel, 1 in., complete, Nos. 251228, 255028, two each 203e, 250372 and three 391D ....
251231	—	Pattern Wheel, $1\frac{1}{8}$ in., complete, Nos. 251230, 255029, two each 203e, 250372 and three 391D ....
250368	—	Pattern Wheel, $1\frac{1}{4}$ in., complete, Nos. 250367, 255030, two each 203e, 250372 and three 391D ....
251233	—	Pattern Wheel, $1\frac{1}{4}$ in., complete, Nos. 251232, 255030, two each 203e, 250372 and three 391D ....
250370	—	Pattern Wheel, $1\frac{1}{2}$ in., complete, Nos. 250369, 255031, two each 203e, 250372 and three 391D ....
251237	—	Pattern Wheel, $1\frac{1}{2}$ in., complete, Nos. 251236, 255031, two each 203e, 250372 and three 391D ....

No.	Plate	Name
251241	—	Pattern Wheel, $1\frac{3}{8}$ in., complete, Nos. 251240, 255032, two each 203E, 250372 and three 391D ....
250366	—	Pattern Wheel, $1\frac{1}{2}$ in., complete, Nos. 250365, 255033, two each 203E, 250372 and three 391D ....
251245	—	Pattern Wheel, $1\frac{1}{2}$ in., complete, Nos. 251244, 255033, two each 203E, 250372 and three 391D ....

For Making EYELET END Buttonholes with  
MEDIUM EYE

251217	—	Pattern Wheel, $\frac{3}{4}$ in., complete, Nos. 251216, 255024, two each 203E, 250372 and three 391D ....
251221	—	Pattern Wheel, $\frac{3}{4}$ in., complete, Nos. 251330, 255025, two each 203E, 250372 and three 391D ....
251223	—	Pattern Wheel, $1\frac{1}{8}$ in., complete, Nos. 251222, 255026, two each 203E, 250372 and three 391D ....
251225	—	Pattern Wheel, $\frac{7}{8}$ in., complete, Nos. 251224, 255027, two each 203E, 250372 and three 391D ....
251229	—	Pattern Wheel, 1 in., complete, Nos. 251228, 255028, two each 203E, 250372 and three 391D ....
251231	—	Pattern Wheel, $1\frac{1}{16}$ in., complete, Nos. 251230, 255029, two each 203E, 250372 and three 391D ....
251233	—	Pattern Wheel, $1\frac{1}{8}$ in., complete, Nos. 251232, 255030, two each 203E, 250372 and three 391D ....
251237	—	Pattern Wheel, $1\frac{1}{4}$ in., complete, Nos. 251236, 255031, two each 203E, 250372 and three 391D ....
251241	—	Pattern Wheel, $1\frac{3}{8}$ in., complete, Nos. 251240, 255032, two each 203E, 250372 and three 391D ....
251245	—	Pattern Wheel, $1\frac{1}{2}$ in., complete, Nos. 251244, 255033, two each 203E, 250372 and three 391D ....

For Making STRAIGHT Buttonholes

No.	Plate	Name
250360	—	Pattern Wheel, $\frac{5}{8}$ in., complete, Nos. 250359, 255024, two each 203E, 250372 and three 391D ....
250362	—	Pattern Wheel, $\frac{3}{4}$ in., complete, Nos. 250361, 255025, two each 203E, 250372 and three 391D ....
250364	—	Pattern Wheel, 1 in., complete, Nos. 250363, 255028, two each 203E, 250372 and three 391D ....
250368	—	Pattern Wheel, $1\frac{1}{8}$ in., complete, Nos. 250367, 255030, two each 203E, 250372 and three 391D ....
250370	—	Pattern Wheel, $1\frac{1}{4}$ in., complete, Nos. 250369, 255031, two each 203E, 250372 and three 391D ....
250366	—	Pattern Wheel, $1\frac{1}{2}$ in., complete, Nos. 250365, 255033, two each 203E, 250372 and three 391D ....

For Making MEDIUM EYE TAPER BAR

250576	—	Pattern Wheel, $\frac{5}{8}$ in., complete, Nos. 250575, 251425, two each 203E, 250372 and three 391D ....
250578	—	Pattern Wheel, $\frac{3}{4}$ in., complete, Nos. 250577, 251426, two each 203E, 250372 and three 391D ....
250580	—	Pattern Wheel, $\frac{7}{8}$ in., complete, Nos. 250579, 251427, two each 203E, 250372 and three 391D ....
250582	—	Pattern Wheel, 1 in., complete, Nos. 250581, 251428, two each 203E, 250372 and three 391D ....
250584	—	Pattern Wheel, $1\frac{1}{8}$ in., complete, Nos. 250583, 251430, two each 203E, 250372 and three 391D ....
250586	—	Pattern Wheel, $1\frac{1}{4}$ in., complete, Nos. 250585, 251430, two each 203E, 250372 and three 391D ....
250588	—	Pattern Wheel, $1\frac{3}{8}$ in., complete, Nos. 250587, 251430, two each 203E, 250372 and three 391D ....

## For Making LARGE EYE TAPER BAR

No.	Plate	Name
250562	—	Pattern Wheel, $\frac{5}{8}$ in., complete. Nos. 250371, 250561, 251425, two each 175E, 203E, 250372 and three 391D .....
250564	—	Pattern Wheel, $\frac{3}{4}$ in., complete. Nos. 250371, 250563, 251426, two each 175E, 203E, 250372 and three 391D .....
250566	—	Pattern Wheel, $\frac{7}{8}$ in. complete. Nos. 250371, 250565, 251427, two each 175E, 203E, 250372 and three 391D .....
250568	—	Pattern Wheel, 1 in., complete. Nos. 250371, 250567, 251428, two each 175E, 203E, 250372 and three 391D .....
250570	—	Pattern Wheel, $1\frac{1}{8}$ in., complete. Nos. 250371, 250569, 251430, two each 175E, 203E, 250372 and three 391D .....
250572	—	Pattern Wheel, $1\frac{1}{4}$ in., complete. Nos. 250371, 250571, 251430, two each 175E, 203E, 250372 and three 391D .....
250574	—	Pattern Wheel, $1\frac{3}{8}$ in., complete. Nos. 250371, 250573, 251430, two each 175E, 203E, 250372 and three 391D .....
250359	—	Pattern Wheel, for $\frac{5}{8}$ in. Eye and Straight Buttonhole (large eye), for 250360 .....
250561	—	Pattern Wheel, for $\frac{3}{4}$ in. Taper Bar (large eye) Buttonhole, bar adjustable from $\frac{1}{8}$ to $\frac{3}{8}$ in., for 250562
250575	—	Pattern Wheel, for $\frac{5}{8}$ in. Taper Bar (medium eye) Buttonhole, bar adjustable from $\frac{1}{8}$ to $\frac{3}{8}$ in., for 250576
251216	—	Pattern Wheel, for $\frac{5}{8}$ in. Eye Buttonhole (large and medium eye), for 251217 .....
250361	—	Pattern Wheel, for $\frac{3}{4}$ in. Eye and Straight Buttonhole (large eye), for 250362 .....

No.	Plate	Name
250563	—	Pattern Wheel, for $\frac{3}{4}$ in. Taper Bar (large eye) Buttonhole, bar adjustable from $\frac{1}{8}$ to $\frac{3}{8}$ in., for 250564
250577	—	Pattern Wheel, for $\frac{3}{4}$ in. Taper Bar (medium eye) Buttonhole, bar adjustable from $\frac{1}{8}$ to $\frac{3}{8}$ in., for 250578
251220	—	Pattern Wheel, for $\frac{3}{4}$ in. Eye Buttonhole (large and medium eye), for 251221 .....
251222	—	Pattern Wheel, for $1\frac{1}{8}$ in. Eye Buttonhole (large and medium eye), for 251223 .....
250565	—	Pattern Wheel, for $\frac{7}{8}$ in. Taper Bar (large eye) Buttonhole, bar adjustable from $\frac{1}{8}$ to $\frac{3}{8}$ in., for 250566
250579	—	Pattern Wheel, for $\frac{3}{4}$ in. Taper Bar (medium eye) Buttonhole, bar adjustable from $\frac{1}{8}$ to $\frac{3}{8}$ in., for 250580
251224	—	Pattern Wheel, for $\frac{3}{4}$ in. Eye Buttonhole (large and medium eye), for 251225 .....
250363	—	Pattern Wheel, for 1 in. Eye and Straight Buttonhole (large eye), for 250364 .....
250567	—	Pattern Wheel, for 1 in. Taper Bar (large eye) Buttonhole, bar adjustable from $\frac{1}{8}$ to $\frac{3}{8}$ in., for 250568
250581	—	Pattern Wheel, for 1 in. Taper Bar (medium eye) Buttonhole, bar adjustable from $\frac{1}{8}$ to $\frac{3}{8}$ in., for 250582
251228	13948	Pattern Wheel, for 1 in. Eye Buttonhole (large and medium eye), for 251229 .....
251230	—	Pattern Wheel, for $1\frac{1}{16}$ in. Eye Buttonhole (large and medium eye), for 251231 .....
250367	—	Pattern Wheel, for $1\frac{1}{8}$ in. Eye and Straight Buttonhole (large eye), for 250368 .....
250569	—	Pattern Wheel, for $1\frac{1}{8}$ in. Taper Bar (large eye) Buttonhole, bar adjustable from $\frac{1}{8}$ to $\frac{3}{8}$ in., for 250570
250583	—	Pattern Wheel, for $1\frac{1}{8}$ in. Taper Bar (medium eye) Buttonhole, bar adjustable from $\frac{1}{8}$ to $\frac{3}{8}$ in., for 250584
251232	—	Pattern Wheel, for $1\frac{1}{8}$ in. Eye Buttonhole (large and medium eye), for 251233 .....

## Pattern Wheels

No.	Plate	Name
250369	—	Pattern Wheel, for 1½ in. Eye and Straight Buttonhole (large eye), for 250370 .....
250571	—	Pattern Wheel, for 1½ in. Taper Bar (large eye) Buttonhole, bar adjustable from ¾ to ¼ in., for 250572 .....
250585	—	Pattern Wheel, for 1½ in. Taper Bar (medium eye) Buttonhole, bar adjustable from ¾ to ¼ in., for 250586 .....
251236	—	Pattern Wheel, for 1½ in. Eye Buttonhole (large and medium eye), for 251237 .....
250573	—	Pattern Wheel, for 1¾ in. Taper Bar (large eye) Buttonhole, ¾ in. adjustable bar, for 250574 .....
250587	—	Pattern Wheel, for 1¾ in. Taper Bar (medium eye) Buttonhole, ¾ in. adjustable Bar, for 250588 .....
251240	—	Pattern Wheel, for 1¾ in. Eye Buttonhole (large and medium eye), for 251241 .....
250365	—	Pattern Wheel, for 1½ in. Eye and Straight Buttonhole (large eye), for 250366 .....
251244	—	Pattern Wheel, for 1½ in. Eye Buttonhole (large and medium eye), for 251245 .....
250371	13769	Pattern Wheel Cam Block, for 250562, 250564, 250566, 250568, 250570, 250572 and 250574 .....
250372	13769	Pattern Wheel Rapid Feed Trip Point .....
	203E 13769	Pattern Wheel Rapid Feed Trip Point Screw .....
250376	—	Pattern Wheel Ring, for 255024 ..
255024	—	" " " 250376 with 211E, 250443 and 250444, for 250360 and 251217 .....
250378	—	Pattern Wheel Ring, for 255025 ..
255025	—	" " " 250378 with 211E, 250443 and 250444, for 250362 and 251221 .....
250379	—	Pattern Wheel Ring, for 255026 ..
255026	—	" " " 250379 with 211E, 250443 and 250444, for 251223 ..
250380	—	Pattern Wheel Ring, for 255027 ..
255027	—	" " " 250380 with 211E, 250443 and 250444, for 251225 ..

## Pattern Wheels

No.	Plate	Name
250382	13948	Pattern Wheel Ring, for 255028 ..
255028	—	" " " 250382 with 211E, 250443 and 250444, for 250364 and 251229 .....
250383	—	Pattern Wheel Ring, for 255029 ..
255029	—	" " " 250383 with 211E, 250443 and 250444, for 251231 ..
250384	—	Pattern Wheel Ring, for 255030 ..
255030	—	" " " 250384 with 211E, 250443 and 250444, for 250368 and 251233 .....
250386	—	Pattern Wheel Ring, for 255031 ..
255031	—	" " " 250386 with 211E, 250443 and 250444, for 250370 ..
250388	—	Pattern Wheel Ring, for 255032 ..
255032	—	" " " 250388 with 211E, 250443 and 250444, for 251241 ..
250390	—	Pattern Wheel Ring, for 255033 ..
255033	—	" " " 250390 with 211E, 250443 and 250444, for 250366 and 251245 .....
251493	—	Pattern Wheel Ring, for 251425 ..
251425	—	" " " 251493 with 252662, 252663, two each 211E and 250444, for 250562 and 250576 ..
251494	—	Pattern Wheel Ring, for 251426 ..
251426	—	" " " 251494 with 252662, 252663, two each 211E and 250444, for 250564 and 250578 ..
251495	—	Pattern Wheel Ring, for 251427 ..
251427	—	" " " 251495 with 252662, 252663, two each 211E and 250444, for 250566 and 250580 ....
251496	—	Pattern Wheel Ring, for 251428 ..
251428	—	" " " 251496 with 252662, 252663, two each 211E and 250444, for 250568 and 250582 ..
251497	—	Pattern Wheel Ring, for 251430 ..
251430	—	" " " 251497 with 252662, 252663, two each 211E and 250444, for 250570, 250572, 250574, 250584, 250586 and 250588 .....
250443	13952	Pattern Wheel Ring Adjusting Segment .....
252662	13955	Pattern Wheel Ring Adjusting Segment (curved rise) .....

No.	Plate	Name
252663	13955	Pattern Wheel Ring Adjusting Segment (straight drop) .....
211E	13951	Pattern Wheel Ring Adjusting Segment Screw .....
250444	13951	Pattern Wheel Ring Adjusting Segment Screw Washer .....
391D	13769	Pattern Wheel Ring Screw .....

## PATTERN WHEEL CABINET

250403	—	Pattern Wheel Cabinet .....
--------	---	-----------------------------

## SINGER KNIFE TRUEING FIXTURE

232870	13874	Base with 448c, for 232871 .....
232871	—	" 232870 with 59D, 232872 and 232876, for 232878 .....
232872	13874	Knife Clamping Lever, for 232871 .....
59D	13874	" " " Hinge Screw, for 232871 .....
232873	13874	Oil Stone, for 232875 .....
232874	13874	" " Bracket with three 448c, for 232875 .....
232875	—	Oil Stone Bracket 232874 with 232873 and 232877, for 232878 ..
232876	13874	Oil Stone Bracket Shaft, for 232871 .....
448c	13874	" " " " Set Screw, for 232874 .....
448c	13874	Oil Stone Set Screw, for 232870 ...
232877	13874	" " " " Friction Gib, for 232875 .....
232878	—	Singer Knife Trueing Fixture complete, Nos. 232871 and 232875 ...

## THREAD LUBRICATING CUP

250518	13942	Thread Lubricating Cup with 171E, 250519 and 250520 .....
250519	—	Thread Lubricating Cup Oil Pad, for 250518 .....
171E	13951	Thread Lubricating Cup Pinch Screw, for 250518 .....
250520	—	Thread Lubricating Cup Thread Guide, for 250518 .....

## OBSOLETE PARTS

No.	Plate	Name
232495	13749	Bed Shaft Bevel Gear (order Position Screw or Set Screw as required) .....
250291	13954	Driving Wheel Stop Cam .....
250072	13900	Loop Retainer Carrier Shaft Collar .....
250113	—	Needle Holder Slide .....
232194	13879	" Thread Nipping Block .....
200397H	13879	" " " " Set Screw .....
250120	13879	Needle Thread Nipping Cam with 460c .....
12509	13952	Needle Thread Nipping Cam Position Pin .....
460c	13756	Needle Thread Nipping Cam Set Screw .....
250122	13875	Needle Thread Nipping Lever with 200075c, 200139E, 201103c, 201534E, 201535, 201869 and 250123 .....
200075c	13879	Needle Thread Nipping Lever Adjusting Screw .....
201535E	13879	Needle Thread Nipping Lever Adjusting Screw Nut .....
1248c	13879	Needle Thread Nipping Lever Hinge Screw .....
201869	13879	Needle Thread Nipping Lever Roller .....
200139E	13879	Needle Thread Nipping Lever Roller Cap Screw .....
201103c	13879	Needle Thread Nipping Lever Roller Stud .....
201534E	13879	Needle Thread Nipping Lever Roller Stud Nut .....
250123	13875	Needle Thread Nipping Lever Roller Stud Washer .....
232196	13879	Needle Thread Nipping Post .....
200688E	13955	" " " " Guide Screw .....
232197	13879	Needle Thread Nipper Post Spring .....
250741	—	Needle Thread Retainer complete, Nos. 1620E, 12400, 12402, 39713 and 250740 .....
250740	13955	Needle Thread Retainer Holder with 462c .....

No.	Plate	Name
1620E	13879	Needle Thread Retainer Holder Nut
12400	13955	" " " Sleeve .....
39713	13934	" " " Spring .....
12402	13955	" " " Stud .....
462C	13847	" " " " Set Screw
250126	13879	" " Take-up with 735c ..
12509	13952	" " " Position Pin..
735C	13900	" " " Set Screw ....
250127	13879	" " " Shaft .....
250128	13875	" " " " Bracket
250399	13879	" " " " "
		Position Pin .....
232673	13955	Needle Thread Take-up Shaft Gear
40025	13864	" " " " "
		Position Pin .....
448C	13874	Needle Thread Take-up Shaft Gear Set Screw .....
250129	13875	Needle Thread Take-up Spring ....
201440E	13879	" " " " Screw Stud .....
250130	13875	Needle Thread Take-up Spring Stop Plate .....
233D	13901	Needle Thread Take-up Spring Stop Plate Screw .....
250131	13875	Needle Thread Take-up Thread Guide .....
250132	13875	Needle Thread Take-up Thread Guide Hinge Pin .....
250133	13875	Needle Thread Take-up Thread Guide Spring Latch .....
233D	13901	Needle Thread Take-up Thread Guide Spring Latch Screw .....
250134	13875	Needle Thread Take-up Thread Stripper .....
233D	13901	Needle Thread Take-up Thread Stripper Screw .....
250135	13875	Needle Thread Tension Releaser Arm .....
250136	13875	Needle Thread Tension Releaser Arm Plate .....
220E	13879	Needle Thread Tension Releaser Arm Plate Screw .....
250139	13875	Needle Thread Tension Thread Guide .....
250739	13955	Needle Thread Tension Thread Guide .....
1620E	13879	Needle Thread Tension Thread Guide Lock Nut .....
250155	13770	Rapid Feed Clutch Disengaging Sleeve .....

No.	Plate	Name
250157	13770	Rapid Feed Clutch Roller Carrier with 624E .....
232531	15955	Rapid Feed Clutch Roller Spring ..
250170	13771	" " Pawl Bell Crank with 202299 .....
201441C	13955	Rapid Feed Pawl Hinge Screw ...
201667C	13771	" " " " " Nut
250173	13852	" " Slide Bar .....
250176	13775	" " " " Fork Conne- tion with 889c .....
253482	13955	Rapid Feed Slide Bar Fork Conne- ction Extension Plate .....
	190D	13785 Rapid Feed Slide Bar Fork Conne- ction Extension Plate Screw ....
350166C	13955	Rapid Feed Slide Bar Lock Hinge Screw .....
250188	13774	Rapid Feed Slide Bar Spring .....
250737	13955	Throat Plate with 200589D and 250738 .....
250738	13955	Throat Plate Needle Thread Cutter
200589D	13955	" " " " " Screw .....
232495	13749	Vertical Shaft Bevel Gear (order Position Screw or Set Screw as required) .....
251351	13954	Work Clamp Arm (left) .....
251352	13954	" " " (right) .....

**NUMERICAL LIST OF PARTS**  
**FOR**  
**MACHINE**  
**No. 99w75**

**NUMERICAL LIST OF PARTS**

No.	Plate	Name
13	13774	Starting Bell Crank Hinge Screw
24	13811	Belt Guard Screw
113	13771	Rapid Feed Pawl Bell Crank Hinge Screw
114	13774	Stop Lever Operating Lever Hinge Screw
200	13936	Needle Thread Tension Releasing Lever Hinge Screw
280	13776	Starting Rod Safety Lock Hinge Screw
45	13847	Needle Vibrating Bell Crank Hinge Screw
560	13774	Rapid Feed Stop Trip Lever Hinge Screw
581	13776	Stitch Rotating Lever Connection Hinge Screw
595	13874	Knife Tracing Fixture Knife Clamp- ing Lever Hinge Screw, for 232871
640	13762	Stop Lever Link Hinge Screw
720	13805	Finger Starting Lever (intermedi- ate) Hinge Screw
725	13805	Rapid Feed Tripping Pawl Lever Hinge Screw
900	13951	Work Clamp Base Spring (front) Screw, for 255065 and 255066
99	13953	Work Clamp Spreader Operating Fork Lever Connection Hinge Screw (rear)
106	13953	Work Clamp Spreader Operating Fork Lever Connection Hinge Screw (front)
1270	13900	Loop Retainer Slide Guide Exten- sion Screw, for 250003
1290	13759	Intermittent Feed Driving Wheel Bracket Screw
1320	13785	Work Clamp Spreader Operating Pawl Adjusting Screw
1340	13811	Bed Extension Screw
1450	13769	Needle Thread Tension Releasing Lever Bracket Screw (lower)
1450	13769	Pattern Wheel Shaft Bushing (left) Screw



No.	Plate	Name
145E	13769	Rapid Feed Slide Bar Bushing (left) Screw .....
150D	13946	Arm Shaft Screw .....
154C	13936	Needle Thread Tension Releasing Adjusting Screw .....
157C	13864	Stop Lever Operating Plate Screw
158E	13865	Bed Cushion Screw, for 250018 and 250019 .....
158E	13865	Finger Starting Lever (intermediate) Bracket Screw .....
159D	13934	Needle Thread Tension Bracket Screw .....
161D	13756	Buttonhole Cutting Trip Lever Bracket Screw .....
168D	13951	Pattern Wheel Shaft Bevel Gear Set Screw, for 250150 .....
171D	13951	Looper Thread Tension Stud Set Screw .....
171E	13951	Needle Thread Controller Stud Set Screw, for 255005 .....
171E	13951	Needle Thread Retainer Stud Set Screw .....
171E	13951	Thread Lubricating Cup Pinch Screw, for 250518 .....
172D	13785	Stitch Rotating Lever Connection Screw (lower), for 232764 .....
172D	13785	Work Clamp Closing Lever Cam Groove Protector Screw, for 255019 .....
175E	13769	Needle Vibrating Bell Crank Connection End Bearing (back) Cap Screw, for 38446, 250143 and 250574 .....
175E	13769	Needle Vibrating Bell Crank Connection End Bearing (front) Cap Screw, for 38446 and 250143 .....
176D	13762	Looper Driving Gear Screw .....
176D	13762	Rapid Feed Slide Bar Fork Connection Extension Plate Screw .....
176D	13762	Throat Plate Screw .....
176D	13762	Work Clamp Spreader Operating Pawl Adjusting Block Screw, for 252513 .....
181D	13771	Rapid Feed Pawl Guide Screw .....
183E	13891	Looper Thread Controlling Lever Bracket Screw .....
183C	13891	Work Clamp Closing Lever Disengaging Block Screw .....
185H	13900	Loop Retainer Screw .....
185H	13900	Lower Cord Leader Screw .....

No.	Plate	Name
190D	13785	Looper Thread Tube Bracket Screw
190D	13785	Loop Retainer Slide Gib Screw ...
190E	13785	Looper Screw .....
190D	13785	Needle Thread Tension Releasing Rod Bracket Screw .....
190D	13785	Rapid Feed Slide Bar Fork Connection Extension Plate Screw (obsolete) .....
191C	13825	Work Clamp Carrier Side Throw Lever Lock Pin Spring Screw ..
193D	13776	Rapid Feed Starting Lever Latch Stop Washer Screw .....
193D	13776	Stitch Rotating Lever Connection Screw (upper), for 250400 .....
194C	13774	Work Clamp Opening Lever Latch Stop Screw Stud .....
194C	13774	Work Clamp Spreader Lever (front) Screw Stud, for 255065 .....
199C	13762	Looper Driving Crank Link Cap Screw .....
199C	13762	Rapid Feed Starting Latch Cap Screw .....
200E	13846	Buttonhole Cutting Starting Lever Latch Stop Screw .....
200E	13846	Needle Thread Tension Releasing Block Set Screw, for 255122 .....
200E	13846	Work Clamp Opening Lever Latch Releasing Bracket Set Screw, for 253679 .....
202F	13934	Needle Thread Controller Spring Bracket Screw .....
203E	13769	Pattern Wheel Rapid Feed Trip Point Screw .....
203E	13769	Starting Latch Spring Screw .....
203E	13769	" Rod Block Set Screw, for 250203 .....
203C	13769	Work Clamp Spreader Releaser Screw, for 255079 .....
203E	13769	Work Clamp Spreader Operating Fork Lever Stop Plate Screw ...
207F	13895	Work Clamp Spreader Adjusting Screw Bracket Screw .....
207F	13895	Work Clamp Opening Stop Screw, for 255065 and 255066 .....
208E	13903	Buttonhole Cutting Starting Lever Safety Plate Screw .....
208E	13903	Finger Starting Lever (intermediate) Bracket Pinch Screw, for 255080 .....

No.	Plate	Name
208E	13903	Needle Holder Screw .....
208E	13903	" " Slide Lever Stud Screw
208E	13903	" Thread Tension Releasing Rod Screw .....
208E	13903	Rapid Feed Clutch Roller Retainer Screw .....
208D	13903	Work Clamp Carrier Slide Adjust- ing Screw, for 255082 .....
208E	13903	Work Clamp Spreader Connection Bracket Screw .....
209F	13825	Feed Wheel Ring Gib Screw, for 250529 .....
209C	13825	Starting Rod Collar Set Screw, for 40043 .....
209F	13825	Work Clamp Arm Cam Set Screw, for 253666 .....
209F	13825	Work Clamp Connection Lever Set Screw, for 250268 .....
209F	13825	Work Clamp Closing Lever (hand) Set Screw, for 250266 .....
211E	13951	Pattern Wheel Ring Adjusting Seg- ment Screw .....
212D	13825	Work Clamp Spreader Operating Fork Lever Cap Screw .....
213D	13806	Starting Rod Lock Spring Screw ..
217D	13952	Stop Lever Link Connection Lock- ing Pin Spring Screw .....
217E	13952	Rapid Feed Starting Lever Latch Spring Screw .....
217E	13952	Work Clamp Opening Lever Latch Spring Screw, for 255065 .....
219E	13856	Buttonhole Cutting Lever Bracket Gib Adjusting Plate Screw .....
219E	13856	Looper Thread Controlling Spring Stop Screw .....
219F	13856	Looper Thread Tension Releaser Operating Cam Block Set Screw, for 253534 .....
220E	13879	Needle Thread Tension Releaser Arm Plate Screw (obsolete) ...
223D	13955	Cord Leader (upper) Screw, for 252524 .....
229D	13912	Work Clamp Check Extension Screw, for 250554 and 250556 ...
230E	13934	Needle Guard Screw .....
231C	13826	" Thread Controller Spring Stop Adjusting Screw, for 255067
231C	13826	Work Clamp Carrier Side Throw Lever Slide Block Guide Screw

No.	Plate	Name
231C	13826	Work Clamp Carrier Slide Stay Plate Screw .....
233D	13901	Looper Driving Connection Plate Screw, for 250088 .....
233D	13901	Needle Guard Screw (support end)
233D	13901	" Thread Take-up Spring Stop Plate Screw (obsolete) .....
233D	13901	Needle Thread Take-up Thread Guide Spring Latch Screw (obso- lete) .....
233D	13901	Needle Thread Take-up Thread Stripper Screw (obsolete) .....
236D	13949	Looper Thread Controlling Cam Screw .....
236D	13949	Work Clamp Carrier Slide Adjust- ing Bracket Screw .....
237F	13756	Buttonhole Cutting Trip Lever Safety Lever Set Screw, for 250047 .....
237F	13756	Looper Thread Tension Releaser Lever Rod Collar Set Screw, for 253535 .....
237F	13756	Looper Thread Tension Releaser Operating Lever Set Screw, for 253533 .....
237F	13756	Work Clamp Spreader Retaining Plate Screw .....
240D	13936	Needle Thread Tension Releasing Block Stop Screw .....
330D	13946	Bed Shaft Bushing (front) Oil Tube Bracket Screw .....
391D	13769	Pattern Wheel Ring Screw .....
401D	13901	Looper Bracket Frame Chip Guard Screw .....
435C	13885	Work Clamp Carrier Side Throw Lever Hinge Stud Set Screw ...
436C	13771	Rapid Feed Crank Shaft Bushing Set Screw .....
443C	13936	Needle Vibrating Lever Hinge Stud Set Screw .....
446E	13947	Buttonhole Cutting Driving Wheel Set Screw, for 250290 .....
448C	13874	Buttonhole Cutter Driving Pulley Shaft Gear Set Screw, for 228620
448C	13874	Knife Truing Fixture Oil Stone Set Screw, for 232870 .....
448C	13874	Knife Truing Fixture Oil Stone Bracket Shaft Set Screw, for 232874 .....

## Numerical List of Parts

No.	Plate	Name
448c	13874	Needle Thread Take-up Shaft Gear Set Screw (obsolete) .....
448c	13874	Rapid Feed Slide Bar Collar Set Screw, for 252269 .....
448c	13874	Spool Pin Arm Bracket Set Screw, for 232896 .....
448c	13874	Spool Pin Set Screw .....
448c	13874	Stitch Rotating Lever (upper) Set Screw, for 232591 .....
448c	13874	Work Clamp Carrier Side Throw Lever Hinge Stud Collar Set Screw, for 250600 .....
453E	13864	Arm Shaft Bevel Gear Set Screw
453c	13864	Bed Shaft Bevel Gear Set Screw, for 255521 .....
453c	13864	Buttonhole Cutting Lever (lower) Cam Set Screw, for 250032 .....
453c	13864	Buttonhole Cutting Lever (upper) Cam Set Screw, for 251271 .....
453c	13864	Pattern Wheel Shaft Collar Set Screw, for 232600 .....
453c	13864	Rapid Feed Crank Shaft Collar Set Screw, for 232600 .....
453c	13864	Rapid Feed Worm Set Screw, for 250195 .....
453c	13864	Rapid Feed Worm Wheel Collar Set Screw, for 250198 .....
453c	13864	Stitch Rotating Sector (upper) Position Collar Set Screw, for 23414
453c	13864	Stop Lever Crank Set Screw, for 250218 .....
453c	13864	Vertical Shaft Bevel Gear Set Screw, for 255522 .....
454c	13941	Buttonhole Cutter Driving Pulley Driving Pinion Set Screw, for 228619 .....
456c	13941	Spool Rest Rod Coupling Set Screw, for 250454 .....
457c	13811	Bed End Cover Support Set Screw
457c	13811	Feed Driving Gear (intermediate) Set Screw, for 250054 .....
458c	13771	Rapid Feed Crank Shaft Gear Set Screw, for 250452 .....
458c	13771	Stitch Rotating Lever (lower) Set Screw, for 250215 .....
460c	13756	Buttonhole Cutting Trip Lever Set Screw, for 250045 .....
460c	13756	Needle Thread Nipping Cam Set Screw, for 250120 (obsolete) ....

## Numerical List of Parts

No.	Plate	Name
462c	13847	Needle Thread Retainer Stud Set Screw, for 250740 (obsolete) ....
462c	13847	Needle Vibrating Ring Set Screw, for 232420 .....
462c	13847	Work Clamp Opening Cam Set Screw, for 253680 .....
465c	13759	Intermittent Feed Driving Wheel Set Screw, for 232539 .....
465c	13759	Intermittent Feed Driving Wheel Shaft Gear Set Screw, for 250063
575c	13811	Vertical Shaft Bushing (upper) Set Screw .....
597c	13955	Shaft Pulley Clamping Screw, for 27065 to 27072, 27074, 27075, 232879 to 232883 and 232920 .....
602E	13887	Work Clamp Check Screw, for 255065 and 255066 .....
624E	13951	Rapid Feed Clutch Roller Carrier Set Screw, for 250157 and 255095
637c	13934	Lower Cord Tension Stud .....
641D	13811	Face Plate Screw .....
641D	13811	Rapid Feed Gear Guard Screw ....
646E	13805	Finger Starting Lever (intermediate) Operating Stud, for 251292
647E	13769	Pattern Wheel Shaft Bushing (right) Screw .....
647E	13769	Rapid Feed Slide Bar Bushing (right) Screw .....
648D	13774	Starting Latch Hinge Screw .....
659D	13895	Work Clamp Opening Bell Crank Hinge Screw .....
662D	13754	Buttonhole Cutting Pressure Wedge Adjusting Screw Lock Spring Screw, for 232057 .....
690D	13899	Feed Adjusting Gear Bracket Clamping Post Screw .....
690D	13899	Stitch Rotating Sector Lower Bracket Screw .....
704c	13951	Rapid Feed Starting Lever Stud Set Screw, for 255053 .....
704E	13951	Rapid Feed Slide Bar Lock Block Screw .....
735E	13900	Loop Retainer Carrier Shaft Set Screw .....
735E	13900	Looper Driving Crank Gear Set Screw, for 250081 and 250094 ...
735E	13900	Needle Rotating Gear Set Screw, for 250117 .....
735c	13900	Needle Thread Take-up Set Screw, for 250126 (obsolete) .....

No.	Plate	Name
741C	13847	Needle Vibrating Adjusting Link Hinge Screw .....
741C	13847	Work Clamp Spreader Operating Pawl Hinge Screw .....
759F	13941	Spool Pin Thumb Set Screw, for 232895 .....
792D	13936	Needle Thread Tension Releasing Rod Plate Screw .....
792D	13936	Work Clamp Base Locking Spring Screw, for 255065 and 255066 ..
792D	13936	Work Clamp Spring Wear Plate Screw .....
807D	13864	Stop Lever Link Connection Screw (front) .....
807D	13864	Work Clamp Opening Rod Connection Hinge Screw .....
808D	13895	Work Clamp Opening Rod Guide Pinch Screw, for 250274 .....
889C	13771	Rapid Feed Slide Bar Fork Connection Set Screw, for 250176 and 252267 .....
904E	13903	Needle Set Screw, for 251214 .....
906E	13949	Looper Bracket Rotating Gear Set Screw, for 232555 .....
906C	13949	Work Clamp Spreader Cam Crank Set Screw, for 253504 .....
934H	13952	Work Clamp Base Clamping Plate Screw .....
934H	13952	Work Clamp Base (left) Guard Screw, for 255065 .....
934H	13952	Work Clamp Base (right) Guard Screw, for 255066 .....
940F	13953	Work Clamp Spreader Lever (front) Hinge Screw .....
946D	13952	Starting Rod Lock Hinge Screw ..
990D	13946	Buttonhole Cutting Carrier Lever Roller Cap Screw, for 250021 ..
991C	13891	Work Clamp Closing Lever Stop Screw, for 255080 .....
991E	13891	Work Clamp Spreader Adjusting Screw, for 255065 and 255066 ..
996E	13934	Needle Thread Retainer Spring Screw Stud .....
1036C	13949	Driving Wheel Stop Cam Position Collar Set Screw, for 251025 ....
1043C	13951	Looper Thread Tension Stud, in place of 637C .....
1094E	13947	Buttonhole Cutting Driving Wheel Lock Stop Plate Screw .....

No.	Plate	Name
1094E	13947	Work Clamp Carrier Slide Gib Screw, for 250003 .....
1100D	13947	Buttonhole Cutting Knife Adjusting Block Screw .....
1120C	13901	Looper Driving Connection Set Screw, for 250088 .....
1120C	13901	Looper Thread Controlling Lever Spring Screw .....
1178D	13864	Stop Lever Interlocking Slide Screw .....
1178E	13864	Work Clamp Closing Lever Adjusting Arm Screw .....
1230C	13951	Rapid Feed Clutch Driving Disc Screw .....
1230E	13951	Needle Vibrating Rod Guide Set Screw, for 250146 .....
1241E	13774	Rapid Feed Slide Bar Lock Spring Screw Eye .....
1241E	13774	Rapid Feed Starting Lever Spring Screw .....
1241E	13774	Rapid Feed Tripping Pawl Spring Screw Eye .....
1241E	13774	Work Clamp Closing Lever Engaging Stud Latch Spring Screw Eye
1241E	13774	Work Clamp Closing Lever Spring Screw Eye .....
1241E	13774	Work Clamp Opening Bell Crank Spring Screw Eye .....
1242E	13937	Rapid Feed Tripping Pawl Spring Screw Stud .....
1248C	—	Needle Thread Nipping Lever Hinge Screw (obsolete) .....
1253C	13895	Work Clamp Opening Lever Set Screw, for 250551 .....
1258E	13946	Bed Shaft Collar Set Screw, for 250017 .....
1281E	13946	Buttonhole Cutting Block Stop Screw .....
1296E	13912	Work Clamp Check Stop Screw, for 250553, 250555, 250558 and 250559 .....
1330C	13854	Rapid Feed Starting Lever Operating Screw Stud .....
1388C	13846	Needle Thread Tension Stud .....
1423F	13949	Looper Thread Leader Screw ....
1443F	13887	Work Clamp Base Spring Screw, for 255065 and 255066 .....
1443F	13887	Work Position Gauge Screw .....

No.	Plate	Name
1449U	13825	Feed Wheel Driving Pawl Spring Screw .....
1454E	13806	Buttonhole Cutting Knife Base Plate Screw .....
1454E	13806	Rapid Feed Starting Lever Set Screw, for 250181 and 255053 ...
1454E	13806	Rapid Feed Starting Trip Lever Set Screw, for 250189 .....
1510E	13771	Rapid Feed Intermediate Gear Screw Stud Nut .....
1518J	13899	Feed Adjusting Gear Screw Stud Nut .....
1520J	13856	Cord Spool Tension Stud Nut, for 252535 .....
1520J	13856	Needle Thread Controller Nut ....
1521E	13756	Buttonhole Cutting Trip Screw Stud Nut .....
1547J	—	Work Clamp Opening Lever Latch Releasing Screw Nut, for 253679
1550J	13891	Looper Thread Tension Releaser Nut .....
1550J	13891	Needle Thread Tension Releasing Adjusting Screw Nut .....
1550J	13891	Work Clamp Spreader Adjusting Screw Nut, for 255065 and 255066
1560C	13846	Looper Thread Tension Thumb Nut
1560C	13846	Lower Cord Tension Thumb Nut ..
1560C	13846	Needle Thread Tension Thumb Nut
1620E	13879	" " Retainer Holder Nut, for 250741 (obsolete) .....
1620E	13879	Needle Thread Tension Thread Guide Lock Nut (obsolete) .....
1636E	13847	Needle Vibrating Bell Crank Connection End Bearing (back) Ball Screw Stud Nut .....
1655E	13936	Rapid Feed Pawl Hinge Screw Nut
1662J	13939	Work Clamp Opening Rod Nut, for 255079 .....
1664E	13951	Needle Thread Leader Nut .....
1671C	13847	" Vibrating Adjusting Stud Nut .....
1697C	13847	Needle Vibrating Bell Crank Connection End Bearing (front) Check Nut .....
1698C	13847	Buttonhole Cutting Carrier Lever Adjusting Screw Stud Nut .....
1698C	13847	Needle Vibrating Bell Crank Connection End Bearing (back) Check Nut .....

No.	Plate	Name
1819	13895	Work Clamp Opening Bell Crank Roller and Stud, for 250270 ....
1981	13953	Work Clamp Spreader Connection Bracket Roller, for 201981 .....
2049	13756	Buttonhole Cutting Trip Lever Position Pin .....
2117	13871	Buttonhole Cutter Driving Pulley Driving Pinion Pin, for 228627 ..
2117	13871	Buttonhole Cutter Driving Pulley Shaft Gear Pin, for 228627 .....
2269	13895	Work Clamp Arm Cam Position Pin, for 255057 and 255058 .....
2269	13895	Work Clamp Closing Lever (hand) Position Pin .....
2269	13895	Work Clamp Connection Lever Position Pin .....
2269	13895	Work Clamp Opening Lever Position Pin .....
2269	13895	Work Clamp Spreader Cam Crank Position Pin .....
2273	13947	Buttonhole Cutting Pressure Wedge Adjusting Screw Nut Pin, for 250538 .....
2273	13947	Buttonhole Cutting Disengaging Push Rod Pin .....
2273	13947	Finger Starting Lever (intermediate) Operating Stud Collar Position Pin .....
2273	13947	Starting Rod Block Position Pin ..
7071	13856	Looper Thread Tension Releaser Nut Washer .....
7071	13856	Work Clamp Opening Lever Latch Spring Screw Washer, for 255065
7071	13856	Work Clamp Spreader Operating Pawl Adjusting Block Screw Washer, for 252513 .....
7071	13856	Work Clamp Spreader Operating Fork Lever Stop Plate Screw Washer .....
8873	13949	Driving Wheel Position Pin .....
8909	13866	Wrench, for 201628 and 201660 ....
10106	13934	Needle Thread Retainer Disc ....
10111	13941	Cord Spool Tension Stud Cone, for 252535 .....
10112	13941	Cord Spool Tension Stud Cone Spring, for 252535 .....
10145	13934	Needle Thread Guide .....
10147	—	Obsolete.
10249	13939	Work Clamp Opening Lever Latch Spring, for 255065 .....

No.	Plate	Name
10875	13866	Wrench, for 201524 .....
11119	13871	Driving Attachment Bracket Oil Tube with 29599, for 228574 ....
11831	13866	Screw Driver, 5 in. blade (machine, large) .....
12400	13955	Needle Thread Retainer Sleeve, for 250741 (obsolete) .....
12402	13955	Needle Thread Retainer Stud, for 250741 (obsolete) .....
12509	13952	Needle Thread Nipping Cam Posi- tion Pin (obsolete) .....
12509	13952	Needle Thread Take-up Position Pin (obsolete) .....
12509	13952	Work Clamp Opening Cam Posi- tion Pin .....
13218	13937	Work Clamp Arm Spring, for 255065 and 255066 .....
13710	13846	Needle Thread Tension Spring ....
14017	13856	Rapid Feed Tripping Pawl Lever Bracket Screw Washer .....
14017	13856	Work Clamp Closing Lever Adjust- ing Arm Screw Washer .....
18587	13934	Needle Thread Controller Spring Bracket Position Pin .....
18859	13949	Looper Thread Guide .....
23414	13771	Stitch Rotating Sector (upper) Position Collar with two 453c .
23421	—	Looper Bracket Dogging Hole Plug
23535	13866	Wrench, for 1697 and 1698 .....
25029	13955	Belt Hook, for 228628 .....
25030	13941	" " " 228629, 228630 and 228631 .....
25200	13866	Wrench, for 1528 and 201643 ....
25362	—	Rapid Feed Worm Ball, for 225007
27065	—	Shaft Pulley (sectional, grooved), 5 in. diam., $1\frac{3}{8}$ in. bore, with two 597c .....
27066	—	Shaft Pulley (sectional, grooved), 6 in. diam., $1\frac{3}{8}$ in. bore, with two 597c .....
27067	—	Shaft Pulley (sectional, grooved), 7 in. diam., $1\frac{3}{8}$ in. bore, with two 597c .....
27068	—	Shaft Pulley (sectional, grooved), 8 in. diam., $1\frac{3}{8}$ in. bore, with two 597c, for 228599, 228609 and 228611
27069	—	Shaft Pulley (sectional, grooved), 9 in. diam., $1\frac{3}{8}$ in. bore, with two 597c .....

No.	Plate	Name
27070	—	Shaft Pulley (sectional, grooved), 10 in. diam., $1\frac{3}{8}$ in. bore, with two 597c .....
27072	—	Shaft Pulley (sectional, grooved), 12 in. diam., $1\frac{3}{8}$ in. bore, with two 597c .....
27074	—	Shaft Pulley (sectional, grooved), 14 in. diam., $1\frac{3}{8}$ in. bore, with two 597c .....
27075	—	Shaft Pulley (sectional, grooved), 15 in. diam., $1\frac{3}{8}$ in. bore, with two 597c .....
27271	—	Shaft Pulley (sectional, grooved), 4 in. diam., $1\frac{3}{8}$ in. bore, with two 597c .....
29599	—	Driving Attachment Bracket Oil Tube Packing (felt), for 11119 ..
32012	13949	Looper Thread Tension Disc .....
32012	13949	Lower Cord Tension Disc .....
32012	13949	Needle Thread Tension Disc .....
32572	13846	" " " Releasing Disc
*38443	—	" Vibrating Bell Crank Con- nection End Bearing (front), for 250143 .....
*38444	—	Needle Vibrating Bell Crank Con- nection End Bearing (back), for 38446 .....
38446	13847	Needle Vibrating Bell Crank Con- nection End Bearing 38444 with 42524, 50016c and two 175e ....
39504	13785	Stitch Rotating Lever Connection Screw Washer (lower), for 232764
39532	13847	Needle Vibrating Adjusting Stud Sleeve .....
39541	13864	Buttonhole Cutting Carrier Lever Adjusting Screw Stud Nut Wash- er .....
39541	13864	Stop Lever Operating Plate Screw Washer .....
39541	13864	Work Clamp Base Locking Spring Screw Washer .....
39635	13846	Needle Thread Tension Releasing Pin .....
39713	13934	Needle Thread Retainer Spring, for 250741 (obsolete) .....
40025	13864	Buttonhole Cutting Carrier Cam Position Pin .....
40025	13864	Buttonhole Cutting Lever (lower) Cam Position Pin .....

No.	Plate	Name
40025	13864	Buttonhole Cutting Lever (upper) Cam Position Pin .....
40025	13864	Loop Retainer Cam Position Pin, for 250003 .....
40025	13864	Loop Retainer Slide Extension Position Pin, for 250003 .....
40025	13864	Needle Bar Driving Crank Position Pin .....
40025	13864	Needle Thread Take-up Shaft Gear Position Pin (obsolete) .....
40025	13864	Pattern Wheel Shaft Bevel Gear Position Pin .....
40025	13864	Rapid Feed Clutch Roller Carrier Position Pin .....
40025	13864	Rapid Feed Slide Bar Collar Position Pin .....
40025	13864	Stitch Rotating Lever (upper) Position Pin .....
40025	13864	Stop Lever Crank Position Pin ...
40025	13864	" " Position Pin .....
40025	13864	Vertical Shaft Bevel Gear (upper) Position Pin .....
40043	13776	Starting Rod Collar with 209c .....
41125	13871	Counter Shaft Hanger Screw Washer, for 228596 and 228598 .....
41125	13871	Driving Attachment Bracket Screw Washer, for 228627 .....
41125	13871	Motor Base Screw Washer, for 228604 .....
41219	—	Driving Pulley (sectional, grooved), 3 in. diam., $\frac{1}{8}$ in. bore (for Table Shaft), with two 50399E .....
41220	—	Driving Pulley (sectional, grooved), 3 $\frac{1}{2}$ in. diam., $\frac{1}{8}$ in. bore (for Table Shaft), with two 50399E .....
41221	—	Driving Pulley (sectional, grooved), 3 $\frac{1}{2}$ in. diam., $\frac{1}{8}$ in. bore (for Table Shaft), with two 50399E .....
41222	—	Driving Pulley (sectional, grooved), 3 $\frac{7}{8}$ in. diam., $\frac{1}{8}$ in. bore (for Table Shaft), with two 50399E .....
41223	—	Driving Pulley (sectional, grooved), 4 in. diam., $\frac{1}{8}$ in. bore (for Table Shaft), with two 50399E .....
41224	—	Driving Pulley (sectional, grooved), 4 $\frac{1}{2}$ in. diam., $\frac{1}{8}$ in. bore (for Table Shaft), with two 50399E .....
41228	—	Driving Pulley (sectional, grooved), 5 $\frac{1}{2}$ in. diam., $\frac{1}{8}$ in. bore, with two 50399E, for 228600 and 228606

No.	Plate	Name
*42524	—	Needle Vibrating Bell Crank Connection End Bearing (back) Cap, for 38446 .....
*42525	—	Needle Vibrating Bell Crank Connection End Bearing (front) Cap, for 250143 .....
42850	13866	Wrench, for 1550 .....
50016c	13847	Needle Vibrating Bell Crank Connection End Bearing (back) Ball Screw Stud, for 38446 .....
50027E	13815	Buttonhole Cutting Lever Bracket Arm Screw, for 250530 .....
50031c	13946	Buttonhole Cutting Carrier Lever Adjusting Screw Stud .....
50058D	13785	Work Clamp Spreader Base Plate Screw .....
50061c	13806	Looper Thread Controlling Lever Hinge Screw .....
50075J	13871	Driving Attachment Belt Guard Thumb Screw, for 228627 .....
50168E	13825	Work Clamp Carrier Feed Lever Link Block Screw .....
50294E	13871	Counter Shaft Hanger Screw, for 228596 and 228598 .....
50294E	13871	Motor Base Screw, for 228604 .....
50399E	13955	Driving Pulley Clamp Screw, for 41219 to 41224 and 41228 .....
51046E	13941	Counter Shaft Hanger Screw, for 228596 and 228598 .....
51046E	13941	Driving Attachment Bracket Screw, for 228627 .....
120346	13865	Oiler (copper plated) with 120347
120347	13865	" Spout, 9 in. long, for 120346 ..
200002E	13871	Counter Shaft Hanger Belt Guard Screw, for 228596 and 228598 ...
200019E	13871	Idler Pulley Bracket Screw, for 228587 .....
200020E	13811	Arm Screw .....
200047D	13811	Bed End Cover Catch Screw .....
200050c	13941	Machine Driving Pulley Clutch Screw, for 228627 .....
200051E	13947	Buttonhole Cutting Driving Wheel Lock Spring Screw .....
200051E	13947	Work Clamp Arm Screw, for 255065 and 255066 .....
200062H	13754	Needle Thread Tension Releasing Lever Bracket Screw (upper) ..
200070c	13825	Feed Wheel Friction Ring Bracket Screw .....

No.	Plate	Name
200075c	13879	Needle Thread Nipping Lever Adjusting Screw, for 250122 (obsolete) .....
200083E	13847	Needle Driving Bar Collar Pinch Screw, for 232176 .....
200083E	13847	Needle Vibrating Ring Guide Stud Set Screw .....
200089D	13806	Buttonhole Cutting Lever Hinge Stud Set Screw, for 250464 .....
200096D	13864	Driving Wheel Stop Cam Spring Position Screw .....
200097c	13805	Finger Starting Lever Screw, for 255065 .....
200100E	13811	Arm Shaft Bushing Screw .....
200100E	13811	Bed Shaft Bushing (back) Screw ..
200100E	13811	" " " (front) Screw ..
200100E	13811	Vertical Shaft Bushing (lower) Screw .....
200110D	13811	Arm Side Cover Screw .....
200110D	13811	Stop Lever Friction Pad Screw ...
200113F	13774	Rapid Feed Starting Lever Shaft Collar Set Screw, for 204197 and 250186 .....
200119D	13937	Work Clamp Carrier Base Plate Slide Rod Set Screw, for 250253 and 250254 .....
200122H	13754	Buttonhole Cutting Pressure Wedge Post Screw .....
200124H	13903	Needle Holder Gauge Plate Screw
200130F	13900	Loop Retainer Driving Bar Collar Pinch Screw, for 250410 .....
200139E	13879	Needle Thread Nipping Lever Roller Cap Screw, for 250122 .....
200159F	13941	Spool Pin Cap Screw, for 225376 ..
200161D	13942	Cord Leader (upper) Slide Screw, for 252524 .....
200164B	13941	Thread Guide Stud Set Screw, for 225376 .....
200186B	13762	Loop Thread and Cord Cutter Screw, for 255066 .....
200186B	13762	Looper Thread and Cord Clamping Spring Screw, for 255066 .....
200308c	13769	Needle Vibrating Switch Hinge Screw .....
200335c	13871	Belt Shifter Lever Hinge Stud Set Screw, for 228601 .....
200341c	13946	Arm Shaft Hand Wheel Set Screw, for 232003 .....
200342c	13871	Buttonhole Cutter Driving Pulley Position Screw, for 228618 .....

No.	Plate	Name
200346c	13936	Needle Thread Tension Releasing Lever Bracket Adjusting Screw ..
200347c	13871	Buttonhole Cutter Driving Pulley Set Screw, for 228618 .....
200352c	13864	Counter Shaft Driving Pulley Position Screw, for 228591 .....
200352c	13864	Counter Shaft Pulley Position Screw, for 228592 .....
200352c	13864	Stop Lever Set Screw, for 251026 ..
200363c	13871	Counter Shaft Pulley Set Screw, for 228592 .....
200363c	13871	Counter Shaft Driving Pulley Set Screw, for 228591 .....
200364c	13946	Buttonhole Cutting Carrier Cam Set Screw, for 250020 .....
200364c	13946	Machine Driving Pulley Collar Set Screw, for 228623 .....
200370c	13871	Counter Shaft Oil Stop Screw, for 228593 .....
200374c	13754	Driving Pulley Set Screw, for 228624
200378c	13955	" " Shaft Collar Set Screw, for 228626 .....
200382c	13903	Needle Driving Bar Link Hinge Stud Set Screw, for 250105 .....
200383c	13871	Counter Shaft Collar Set Screw, for 210833 .....
200383c	13871	Idler Pulley Shaft Collar Set Screw, for 204246 .....
200383c	13871	Spool Rest Rod Set Screw, for 202490 .....
200394c	13903	Needle Bar Driving Crank Set Screw, for 250105 .....
200395c	13949	Driving Wheel Set Screw, for 232110 .....
200396c	13754	Driving Pulley Position Screw, for 228624 .....
200397c	13879	Needle Thread Nipping Block Set Screw (obsolete) .....
200526c	13871	Belt Shifter Set Screw, for 228566
200526c	13871	Idler Pulley Shaft Set Screw, for 228644 .....
200526c	13871	Idler Pulley Belt Guard Set Screw, for 228643 .....
200530E	13947	Buttonhole Cutting Starting Lever Hinge Stud Set Screw .....
200577H	13756	Buttonhole Cutting Starting Lever Plate Screw .....
200589D	13955	Throat Plate Needle Thread Cutter Screw, for 250737 (obsolete) ....



No.	Plate	Name
200603E	13951	Rapid Feed Slide Bar Fork Connection Position Screw .....
200688E	13955	Needle Thread Nipping Post Guide Screw (obsolete) .....
201018C	13941	Spool Rest Set Screw, for 225389 and 225395 .....
201082E	13762	Looper Frame Screw .....
201084C	13864	Stop Lever Interlocking Slide Adjusting Screw .....
201085C	13756	Buttonhole Cutting Starting Lever Restoring Screw Stud, for 250042 .....
201097C	13826	Work Clamp Carrier Side Throw Lever Slide Block Screw Stud, for 250248 .....
201099C	13901	Looper Carrier Link Hinge Screw .....
201103C	13879	Needle Thread Nipping Lever Roller Stud, for 250122 (obsolete) ..
201110D	13864	Stop Lever Spring Screw .....
201121D	13953	Work Clamp Spreader Plate Screw, for 255065 and 255066 .....
201129D	13937	Work Clamp Arm Bracket Screw (back), for 255065 and 255066 ..
201144E	13825	Looper Driving Roller Cap Screw, for 201953 .....
201144E	13825	Work Clamp Carrier Side Throw Lever Roller Cap Screw, for 201937 .....
201148H	13952	Work Clamp Base Stop Block Screw .....
*201155D	—	Buttonhole Cutting Pressure Wedge Adjusting Screw, for 250538 ....
201160E	13951	Starting Rod Spring Screw Eye ..
201176E	13901	Buttonhole Cutting Lever Bracket Gib Screw .....
201176E	13901	Looper Driving Crank Bushing Screw .....
201218E	13754	Buttonhole Cutting Starting Lever Latch Spring Screw Stud .....
201225C	13903	Needle Holder Slide Stud .....
201237E	13937	Work Clamp Arm Cam Stop Screw, for 255065 and 255066 .....
201314C	13785	Work Clamp Spreader Operating Pawl Stop Screw .....
201314C	13785	Work Clamp Spreader Screw Stud .....
201362C	13825	Feed Wheel Screw Stud .....
201366C	13946	Buttonhole Cutting Carrier Lever Roller Screw Stud, for 250021 ..
201374E	13952	Work Clamp Carrier Side Throw Lever Roller Stud Cap Screw, for 250249 .....

No.	Plate	Name
201385C	13825	Feed Wheel Driving Pawl Hinge Screw .....
201395D	13951	Stitch Rotating Sector (upper) Bracket Screw .....
201428C	13785	Feed Adjusting Gear Screw Stud..
201430C	13825	Work Clamp Carrier Side Throw Lever Lock Pin Screw Stud ...
201431C	13900	Loop Retainer Carrier Link Screw .....
201432C	13756	Buttonhole Cutting Trip Screw Stud .....
201433C	13901	Looper Carrier Hinge Screw .....
201434C	13903	Needle Holder Slide Lever Hinge Screw .....
201435C	13762	Looper Driving Disc Screw Stud, for 255035 .....
201437C	13774	Rapid Feed Starting Trip Lever Screw Stud .....
201438C	13891	Work Clamp Closing Lever Hinge Screw .....
201440E	13879	Needle Thread Take-up Spring Screw Stud (obsolete) .....
201441C	13955	Rapid Feed Pawl Hinge Screw (obsolete) .....
201442E	13771	Stitch Rotating Lever (lower) Position Screw .....
201445C	13854	Rapid Feed Starting Lever Position Screw .....
201445E	13854	Rapid Feed Starting Trip Lever Position Screw .....
201446C	13774	Rapid Feed Stop Latch Hinge Screw Stud .....
201447C	13771	Rapid Feed Intermediate Gear Screw Stud .....
201448C	13771	Rapid Feed Slide Bar Fork Connection Screw Stud .....
201449C	13847	Needle Vibrating Bell Crank Connection End Bearing (front) Ball Screw, for 250143 .....
201451E	13887	Work Clamp Base Spring Screw Stud .....
201452E	13785	Work Clamp Spreader Connection Link Hinge Screw .....
201453C	13953	Work Clamp Spreader Connection Hinge Screw .....
201454E	13774	Rapid Feed Starting Pawl Spring Screw Eye .....
201463D	13785	Work Clamp Spreader (right) Screw .....
201468H	13785	Buttonhole Cutting Shaft Hand Crank Cap Screw .....

No.	Plate	Name
201474E	13947	Buttonhole Cutting Knife Base Plate Adjusting Screw .....
201482D	13785	Needle Holder Gauge Plate Adjusting Screw .....
201484C	13785	Buttonhole Cutting Shaft Hand Crank Position Screw, for 232383
201522E	13825	Feed Wheel Friction Ring Adjusting Screw Lock Nut .....
201524E	13946	Buttonhole Cutting Carrier Lever Roller Screw Stud Nut, for 250021
201530E	13826	Work Clamp Carrier Side Throw Lever Slide Block Screw Stud Nut, for 250248 .....
201531E	13946	Bed End Cover Catch Screw Nut ..
201531E	13946	Buttonhole Cutting Starting Lever Latch Hinge Screw Nut .....
201531H	13946	Work Clamp Closing Lever Roller Screw Stud Nut, for 252196 ....
201534E	13879	Needle Thread Nipping Lever Roller Stud Nut, for 201522 (obsolete) .....
201535E	13879	Needle Thread Nipping Lever Adjusting Screw Nut, for 201522 (obsolete) .....
201537H	13937	Work Clamp Arm Cam Stop Screw Nut, for 255065 and 255066 .....
201628E	13864	Stop Lever Interlocking Slide Adjusting Screw Nut .....
201643E	13825	Work Clamp Carrier Base Plate Slide Rod Nut .....
201658C	13901	Looper Bracket Adjusting Nut ....
201659C	13901	" " " " Locking Nut .....
201660C	13776	Stitch Regulating Gear Lock Nut..
201666E	13785	" Rotating Lever (lower) Roller Screw Stud Nut .....
201667C	13771	Rapid Feed Pawl Hinge Screw Nut (obsolete) .....
201668E	13769	Pattern Wheel Clamping Nut ....
201669E	13785	Work Clamp Spreader Operating Pawl Adjusting Screw Nut .....
201670C	13903	Needle Holder Gauge Plate Block Adjusting Nut .....
201670C	13903	Needle Holder Gauge Plate Block Adjusting Nut Lock Nut .....
201672E	13754	Buttonhole Cutting Pressure Wedge Adjusting Screw Nut, for 250538
201696J	13941	Thread Guide Lock Nut, for 225376
201704E	13949	Looper Driving Disc Screw Stud Nut, for 255035 .....

No.	Plate	Name
201710D	13942	Cord Spool Adjusting Thumb Nut, for 252535 .....
201868	13825	Work Clamp Carrier Feed Lever Roller, for 201988 .....
201869	13879	Needle Thread Nipping Lever Roller, for 201522 (obsolete) .....
201871	13776	Stitch Rotating Lever (lower) Roller .....
201873	13825	Work Clamp Carrier Side Throw Lever Roller, for 201937 .....
201892	13946	Buttonhole Cutting Carrier Lever Roller, for 250021 .....
201896	13900	Loop Retainer Slide Roller, for 201943 .....
201897	13951	Rapid Feed Clutch Roller .....
201898	13762	Looper Driving Roller, for 201953
201937	13825	Work Clamp Carrier Side Throw Lever Roller 201873 with 201144E and 232686, for 250249 .....
201940	13825	Work Clamp Carrier Side Throw Lever Lock Pin Roller, for 250250
201943	---	Loop Retainer Slide Roller 201896 with 250429, for 250075 .....
201947	13891	Work Clamp Closing Lever Roller, for 201948 .....
201948	13891	Work Clamp Closing Lever Roller 201947 with 350156E, for 252196
201953	---	Looper Driving Roller 201898 with 201144E and 250099 .....
201956	13938	Work Clamp Closing Lever Engaging Stud Roller, for 255070 ....
201979	13949	Looper Thread Controlling Lever Roller and Stud, for 250426 ....
201981	13953	Work Clamp Spreader Connection Bracket Roller 1981 with 253524, for 253506 .....
201988	---	Work Clamp Carrier Feed Lever Roller 201868 with 255075 and 350072E .....
202244	---	Counter Shaft Hanger Oil Packing (wick), for 228601 .....
202244	---	Rapid Feed Worm Wheel Oil Packing (wick) .....
202260	---	Arm Shaft Bushing Oil Packing (wick), for 232490 .....
202260	---	Bed Shaft Bushing (back) Oil Packing (wick), for 232002 and 232030
202260	---	Driving Pulley Shaft Bushing Oil Packing (wick), for 228571 ....

No.	Plate	Name
202260	—	Driving Pulley Shaft Bushing Oil Packing (wick) .....
202260	—	Rapid Feed Crank Shaft Oil Packing (wick) .....
202299	—	Rapid Feed Pawl Bell Crank Oil Packing (wick), for 250170 and 253536 .....
202490	13944	Spool Stand with 200383c, for 225376
202603	13900	Cord Leader (upper) Screw Washer, for 252524 .....
203149	13941	Work Position Gauge Screw Washer
203172	13947	Buttonhole Cutting Shaft Hand Crank Washer .....
203213	13936	Buttonhole Cutting Disengaging Lever Spring .....
203213	13936	Rapid Feed Starting Lever Stud Spring, for 255053 .....
204197	13774	Rapid Feed Starting Lever Shaft Collar (right) with 200113r ....
204235	13811	Arm Position Pin .....
204246	13871	Idler Pulley Shaft Collar with two 200383c .....
204264	13811	Bed End Cover Catch Releaser Stop Pin .....
204648	13759	Intermittent Feed Driving Wheel Driving Stud Position Pin, for 250590 .....
206482	13885	Buttonhole Cutting Lever Bracket Gib Adjusting Plate Screw Washer .....
210750	13952	Work Clamp Closing Lever Cam Groove Protector Position Pin, for 255019 .....
210833	13871	Counter Shaft Collar with two 200383c, for 228596 and 228598..
210933	—	Needle Driving Bar Swivel Oil Packing (wick), for 250108 .....
214179	13941	Machine Driving Pulley Clutch Roller, for 228627 .....
214180	13941	Machine Driving Pulley Clutch Roller Spring Plunger, for 228627 .....
214181	13941	Machine Driving Pulley Clutch Roller Spring, for 228627 .....
222598	—	Needle Driving Bar Link Hinge Stud Oil Packing (wick), for 232709 .....
224392	—	Buttonhole Cutter Driving Pulley Shaft Bushing Oil Packing (wick), for 228580 .....

No.	Plate	Name
225007	13774	Rapid Feed Worm Ball Retainer with eight 25362 .....
225375	13940	Spool Pin (wood), for 225376 .....
225376	—	Thread Unwinder complete, Nos. 200164b, 201696j, 202490, 225388, 225389, 225393, 225395, 250453, 250454, 250472, 350192j, three each 200159e, 225375, 225390, 232417, 232895, 232896, 232987, 250424, four 225391 and three wood screws $\frac{3}{8}$ in., No. 12 .....
225388	13944	Spool Rest Rod (upper), for 225376
225389	13944	" " (for one spool) with 201018c, for 225376 .....
225390	13940	Thread Cone Holder, for 225376 ..
225391	13940	" Guide, for 225376 .....
225393	13941	" " Screw Stud Washer, for 225376 .....
225395	13944	Spool Rest (for two spools) with 201018c, for 225376 .....
*225483	—	Screw Driver Handle, for 250522 ..
*225484	—	" " Blade, for 225498 ....
*225485	—	" " Handle, for 225498 ..
225498	13866	Screw Driver complete (7 $\frac{1}{2}$ in. long), Nos. 225484 and 225485 ..
226163	13776	Stitch Rotating Sector (lower) Bracket Screw Washer .....
226467	13776	Starting Rod Safety Lock Hinge Screw Washer .....
228026	13947	Buttonhole Cutting Driving Wheel Lock Spring Screw Washer ....
228026	13947	Finger Starting Lever Screw Washer .....
228026	13947	Work Clamp Closing Lever Roller Screw Stud Washer, for 252196 and 255065 .....
228565	13870	Belt Shifter, for 228596 and 228598
228566	13870	" " Lever with 200526c, for 228596 and 228598 .....
228567	13871	Belt Shifter Lever Hinge Stud, for 228596 and 228598 .....
228571	13869	Driving Pulley Shaft Bushing with 202260, for 228627 .....
228573	13870	Driving Attachment Belt Guard with 228607, for 228627 .....
228574	13870	Driving Attachment Bracket with 11119, 228575 and four 350028c, for 228627 .....
228575	13871	Driving Attachment Bracket Oil Cup, for 228574 .....

No.	Plate	Name
228578	—	Driving Attachment and Idler complete, Nos. 228587 and 228627, for 228599, 228600, 228606, 228609 and 228611 .....
228579	13869	Buttonhole Cutter Driving Pulley Shaft, for 228627 .....
228580	13869	Buttonhole Cutter Driving Pulley Shaft Bushing with 224392, for 228627 .....
228581	13870	Idler Pulley, for 228587 .....
228582	—	Obsolete.
228583	—	Obsolete.
228584	13869	Idler Pulley Shaft with 228586, for 228587 .....
228585	—	Idler Pulley Shaft Oil Wick, for 228586 .....
228586	13869	Idler Pulley Shaft Oil Wick Wire with 228585, for 228584 .....
228587	—	Idler complete, Nos. 228584, 228602, 228644, two each 228581, 228643 and three 200019E, for 228578 ..
228588	13870	Counter Shaft Hanger Belt Guard (double), for 228596 .....
228590	13870	Counter Shaft Driving Pulley (loose), 5 in. diameter, for 228596 and 228598 .....
228591	13870	Counter Shaft Driving Pulley (tight), 5 in. diam., with 200352c and 200363c, for 228596 and 228598 .....
228592	13870	Counter Shaft Pulley, 5½ in. diam., with 200352c and 200363c, for 228596 and 228598 .....
228593	13869	Counter Shaft (hollow) with 200370c and 228595, for 228596 and 228598 .....
228594	—	Counter Shaft Oil Packing Wick, for 228595 .....
228595	13869	Counter Shaft Oil Packing Wick Wire with 228594, for 228593 .....
228596	—	Counter Shaft Hanger complete, for Old Style Power Table, Nos. 50294E, 200002E, 210833, 228565 to 228567, 228588, 228590 to 228593, 228601, 228602, 228632, two 51046E and three 41125, for 228599, 228609 and 228611 .....
228597	13870	Counter Shaft Hanger Belt Guard (single), for 228598 .....

No.	Plate	Name
228598	—	Counter Shaft Hanger complete, for Singer Safety Power Table, Nos. 50294E, 200002E, 210833, 228565 to 228567, 228590 to 228593, 228601, 228602, 228632, two 51046E and three 41125, for 228600 and 228606 .....
228599	—	Driving Equipment complete, for Old Style Power Table (flat), Nos. 27068, 228578, 228596, 228628, 228631, 234342, 234344 and blue print template .....
228600	—	Driving Equipment complete, for Singer Safety Power Table (flat), Nos. 41228, 228578, 228598, 228628, 228630, 234342, 234344 and blue print template .....
228601	13870	Counter Shaft Hanger with 200335c and 202244, for 228596 and 228598 .....
228602	13871	Counter Shaft Oil Cup, for 228596 and 228598 .....
228602	13871	Idler Pulley Shaft Oil Cup, for 228587 .....
228604	—	Motor Base with four each 41125 and 50294E .....
228605	—	Driving Equipment complete, for Individual Motor Table, Nos. 228627 to 228629 .....
228606	—	Driving Equipment complete, for Singer Safety Power Table (trough), Nos. 41228, 228578, 228598, 228628, 228630, 234343, 234344 and blue print template..
228607	13926	Driving Attachment Belt Guard Drain Valve, for 228573 .....
228608	—	Belt Guard, for Bridgeport Old Style Power Table (trough), with two wood screws ¾ in., No. 10, for 228609 .....
228609	—	Driving Equipment complete, for Bridgeport Old Style Power Table (trough), Nos. 27068, 228578, 228596, 228608, 228628, 228631, 234344 and blue print template..
228610	—	Belt Guard, for E'port Old Style Power Table (trough), with two wood screws ¾ in., No. 10, for 228611 and 228613 .....

No.	Plate	Name
228611	—	Driving Equipment complete, for E'port Old Style Power Table (trough), Nos. 27068, 228578, 228596, 228610, 228628, 228631, 234344 and blue print template.
228612	—	Driving Equipment complete, for use in connection with Electric Transmitter Motor on Power Table (flat), Nos. 228627 to 228629, 234342, 234344 and blue print template .....
228613	—	Driving Equipment complete, for use in connection with Electric Transmitter Motor on Power Table (E'port trough), Nos. 228610, 228627 to 228629, 234344 blue print template .....
228618	13926	Buttonhole Cutter Driving Pulley, 4 $\frac{3}{4}$ in. diam., with 200342c and 200347c, for 228627 .....
228619	13926	Buttonhole Cutter Driving Pulley Driving Pinion, 16 teeth, with 454c, for 228627 .....
228620	13926	Buttonhole Cutter Driving Pulley Shaft Gear, 48 teeth, with 448c, for 228627 .....
228621	13926	Machine Driving Pulley (loose), 3 $\frac{1}{2}$ in. diam., for 228627 .....
228622	13926	Machine Driving Pulley Clutch, for 228627 .....
228623	13926	Machine Driving Pulley Collar with two 200364c, for 228627 .....
228624	13926	Driving Pulley, 6 in. diam., with 200374c and 200396c, for 228627 ..
228625	13926	Driving Pulley Shaft, for 228627 ..
228626	13926	" " " Collar with two 200378c, for 228627 .....
228627	—	Driving Attachment complete, Nos. 50075j, 228573, 228574, 228579, 228580, 228618 to 228626, two each 2117, 228571, three each 41125, 51046e, 200050c and 214179 to 214181, for 228578, 228605, 228612 and 228613 .....
228628	—	Belt (gilt edge), size $\frac{3}{8}$ in. diam., length 83 in., with two 25029, for 228605, 228599, 228600, 228606, 228609, 228611, 228612 and 228613

No.	Plate	Name
228629	—	Belt (gilt edge), size $\frac{3}{8}$ in. diam., length 57 in., with 25030, for 228605, 228612 and 228613 .....
228630	—	Belt (gilt edge), size $\frac{3}{8}$ in. diam., length 120 in., with 25030, for 228600 and 228606 .....
228631	—	Belt (gilt edge), size $\frac{3}{8}$ in. diam., length 133 in., with two 25030, for 228599, 228609 and 228611 ..
228632	13933	Belt Shifter Locking Spring, for 228596 and 228598 .....
228643	13954	Idler Pulley Belt Guard with 200526c, for 228587 .....
228644	13954	Idler Pulley Bracket with 200526c, for 228587 .....
230795	13811	Bed Shaft Bushing (back) Oil Tube Pin .....
232002	13749	Arm Shaft Bushing (back) with 202260 .....
232003	13749	Arm Shaft Hand Wheel with two 200341c .....
232025	13811	Bed End Cover Catch .....
232026	13811	Bed End Cover Catch Position Pin
232030	13749	" Shaft Bushing (back) with 202260 .....
232038	13947	Buttonhole Cutting Carrier Lever Slide Block .....
232043	13947	Buttonhole Cutting Driving Wheel Lock .....
232044	13947	Buttonhole Cutting Driving Wheel Lock Spring .....
232054	13754	Buttonhole Cutting Pressure Wedge Adjusting Screw Collar, for 250538
232055	13754	Buttonhole Cutting Pressure Wedge Adjusting Screw Collar Position Pin, for 250538 .....
232055	13754	Rapid Feed Slide Bar Lock Block Position Pin .....
232056	13754	Buttonhole Cutting Pressure Wedge Boss, for 250039 .....
232057	13947	Buttonhole Cutting Pressure Wedge Post with 662D and 232466 .....
232064	13754	Buttonhole Cutting Starting Lever Latch .....
232065	13754	Buttonhole Cutting Starting Lever Latch Spring .....
232083	13937	Rapid Feed Tripping Pawl Spring
232110	13834	Driving Wheel with 200395c and two 232113 .....

No.	Plate	Name
232112	13834	Driving Wheel Friction Gib .....
232113	13834	" " " " " Posi- tion Pin, for 232110 .....
232131	13759	Feed Wheel Friction Ring Adjust- ing Screw Washer .....
232135	13759	Feed Wheel Friction Ring Spring
232150	13806	Buttonhole Cutting Driving Wheel Position Pin .....
232154	13949	Buttonhole Cutting Trip Lever Bracket Position Pin .....
232154	13949	Rapid Feed Tripping Pawl Lever Bracket Position Pin .....
232176	13903	Needle Driving Bar Collar with 200083E .....
232177	13903	Needle Driving Bar Bushing .....
232178	13903	" " " Link .....
232194	13879	" Thread Nipping Block (obso- lete) .....
232196	13879	Needle Thread Nipping Post (obso- lete) .....
232197	13879	Needle Thread Nipping Post Spring (obsolete) .....
232200	13895	Work Clamp Opening Bell Crank Spring .....
232244	13811	Arm Shaft Bevel Gear Position Pin
232244	13811	Bed Shaft Bushing (front) Position Pin .....
232244	13811	Intermittent Feed Driving Wheel Bracket Position Pin .....
232244	13811	Rapid Feed Worm Position Pin ..
232260	—	Obsolete.
232262	13777	Stop Lever Bracket .....
232263	13864	" " Friction Pad (rawhide)
232265	13864	" " Interlocking Slide Screw Washer .....
232270	13762	Looper Thread and Cord Clamping Spring (long), for 255066 .....
232271	13762	Looper Thread and Cord Clamping Spring (short), for 255066 .....
232272	13762	Looper Thread and Cord Cutter, for 255066 .....
232304	13951	Work Clamp Base Hinge Stud, for 253496 and 253497 .....
232306	13952	Work Clamp Base Spring (front), for 255065 and 255066 .....
232309	13952	Work Clamp Base Stop Block .....
232310	13887	" " " " " Posi- tion Pin .....
232311	13952	Work Clamp Base Spring (front) Catch, for 255065 and 255066 ...

No.	Plate	Name
232312	13953	Work Clamp Spreader Plate, for 255065 and 255066 .....
232321	13826	Work Clamp Carrier Side Throw Lever Slide Block .....
232343	13756	Buttonhole Cutting Trip Lever Safety Lever Position Pin .....
232343	13756	Needle Vibrating Rod Guide Posi- tion Pin .....
232343	13756	Needle Vibrating Ring Position Pin
232380	13885	Buttonhole Cutting Lever Bracket Gib Adjusting Plate .....
232382	13756	Feed Wheel Driving Pawl Spring Pin, for 250056 .....
232383	13815	Buttonhole Cutting Shaft Hand Crank with 201484C .....
232417	13940	Spool Pin, for 225376 .....
232420	13769	Needle Vibrating Ring with 462C..
232421	13769	" " " Guide Stud..
232462	13826	Work Clamp Carrier Base Plate Slide Rod .....
232466	13754	Buttonhole Cutting Pressure Wedge Adjusting Screw Lock Spring, for 232057 .....
232482	13754	Buttonhole Cutting Lever Spring Bracket (upper), for 250033 ....
232483	13754	Buttonhole Cutting Lever Spring Bracket (upper) Pin, for 250033..
232486	13865	Threader Wire (large) .....
232488	13749	Arm Shaft .....
232489	13946	" " Bevel Gear (order Posi- tion Screw or Set Screw as re- quired) .....
232490	13749	Arm Shaft Bushing (front) with 202260 .....
232495	13749	Bed Shaft Bevel Gear (order Posi- tion Screw or Set Screw as re- quired) (obsolete) .....
232495	13749	Vertical Shaft Bevel Gear (obso- lete) .....
232513	13754	Buttonhole Cutting Shaft Pulley Bushings .....
232515	13951	Looper Thread Tension Spring ...
232515	13951	Lower Cord Tension Spring .....
232516	13948	Looper Thread Tube (brass) .....
232516	13948	Lower Cord Tube (brass) .....
232517	13952	Looper Thread Tube Bracket ....
232520	13948	Face Plate .....
232521	13949	Feed Adjusting Gear .....
232531	13955	Rapid Feed Clutch Roller Spring (obsolete) .....

No.	Plate	Name
232532	13751	Feed Wheel Ring .....
232539	13759	Intermittent Feed Driving Wheel with two 465c .....
232541	13759	Intermittent Feed Driving Wheel Position Pin .....
232542	13899	Intermittent Feed Driving Wheel Shaft .....
232555	13949	Looper Bracket Rotating Gear with 906E .....
232591	13861	Stitch Rotating Lever (upper) with 448c .....
232592	13776	Stitch Rotating Lever Connection (rear section) (upper), for 250400
232593	13776	Stitch Rotating Lever Connection (front section) (upper), for 250400
232597	13861	Stitch Rotating Sector (lower) Bracket .....
232599	13861	Stitch Rotating Sector (upper) Bracket .....
232600	13771	Pattern Wheel Shaft Collar with two 453c .....
232600	13771	Rapid Feed Crank Shaft Collar with two 453c .....
232673	13955	Needle Thread Take-up Shaft Gear (obsolete) .....
232678	13951	Work Clamp Base Locking Spring (left) .....
232679	13951	Work Clamp Base Locking Spring (right) .....
232686	13826	Work Clamp Carrier Side Throw Lever Roller Stud, for 201937 ...
232709	13903	Needle Driving Bar Link Hinge Stud with 222598 .....
232710	13777	Vertical Shaft Bushing (upper) ..
232717	13776	Stitch Rotating Lever Connection Screw Washer (upper), for 250400
232718	13815	Buttonhole Cutting Starting Lever Hinge Stud .....
232719	13946	Bed Shaft Bevel Gear Position Pin
232719	13946	Rapid Feed Crank Shaft Gear Posi- tion Pin .....
232719	13946	Vertical Shaft Bevel Gear (lower) Position Pin .....
232721	13899	Feed Driving Gear (intermediate) Position Pin .....
232721	13899	Intermittent Feed Driving Wheel Shaft Gear Position Pin .....
232724	13947	Buttonhole Cutting Driving Wheel Lock Stop Plate .....
232725	13811	Belt Guard .....

No.	Plate	Name
232764	---	Stitch Rotating Lever Connection (lower) complete, Nos. 232807, 232808, two each 172D and 39504
232792	13932	Needle Thread Leader .....
232807	13785	Stitch Rotating Lever Connection (front section) (lower), for 232764
232808	13785	Stitch Rotating Lever Connection (rear section) (lower), for 232764
232817	13947	Buttonhole Cutting Shaft Pulley Stud, for 255019 .....
232821	13811	Bed Shaft Bushing (back) Oil Tube (brass) .....
232866	13949	Looper Frame Position Pin .....
232870	13874	Knife Trueing Fixture Base with 448c, for 232871 .....
232871	---	Knife Trueing Fixture Base 232870 with 59D, 232872 and 232876, for 232878 .....
232872	13874	Knife Trueing Fixture Knife Clamp- ing Lever, for 232871 .....
232873	13874	Knife Trueing Fixture Oil Stone, for 232875 .....
232874	13874	Knife Trueing Fixture Oil Stone Bracket with three 448c, for 232875 .....
232875	---	Knife Trueing Fixture Oil Stone Bracket 232874 with 232873 and 232877, for 232878 .....
232876	13874	Knife Trueing Fixture Oil Stone Bracket Shaft, for 232871 .....
232877	13874	Knife Trueing Fixture Oil Stone Set Screw Friction Gib, for 232875
232878	---	Singer Knife Trueing Fixture com- plete, Nos. 232871 and 232875 ...
232879	---	Shaft Pulley (sectional, grooved), 5½ in. diam., 1⅜ in. bore, with two 597c .....
232880	---	Shaft Pulley (sectional, grooved), 6½ in. diam., 1⅜ in. bore, with two 597c .....
232881	---	Shaft Pulley (sectional, grooved), 7½ in. diam., 1⅜ in. bore, with two 597c .....
232882	---	Shaft Pulley (sectional, grooved), 8½ in. diam., 1⅜ in. bore, with two 597c .....
232883	---	Shaft Pulley (sectional, grooved), 9½ in. diam., 1⅜ in. bore, with two 597c .....

No.	Plate	Name
232895	13940	Thread Unwinder Spool Pin Arm with 759E, for 225376 .....
232896	13940	Thread Unwinder Spool Pin Arm Bracket with two 448c, for 225376 .....
232900	13866	Wrench, for 201362 and 201668 .....
232920	—	Shaft Pulley (sectional, grooved), 4½ in. diam., 1⅞ in. bore, with two 597c .....
232935	13866	Wrench, for 201658, 201659 and 201670 .....
232982	—	Machine Rest Cushion (leather), for 250408 .....
232987	13944	Thread Unwinder Spool Rest Cushion (felt), for 225376 .....
234342	—	Front Plank Extension (back) with two wood screws 1½ in., No. 10, for flat table, for 228599, 228600 and 228612 .....
234343	—	Front Plank Extension (back) with three wood screws 1½ in., No. 10 and six 1½ in. wire nails, for Singer Safety Power Table (trough), for 228606 .....
234344	—	Front Plank Extension (front) with two wood screws 2½ in., No. 12 and three wood screws 1¾ in., No. 12, for 228599, 228600, 228606, 228609, 228611, 228612 and 228613 .....
*250001	—	Arm .....
250002	13749	" Side Cover .....
*250003	—	Bed with 250078, 255509 to 255512, two each 127D, 40025 and eight 1094E .....
250004	13865	Bed Cushion (leather) (back), for 250018 and 250019 .....
250006	13865	Bed Cushion (leather) (front), for 250018 and 250019 .....
250007	13865	Bed Cushion (rawhide) (inside), for 250018 and 250019 .....
250008	13865	Bed Cushion (rawhide) (outside), for 250018 and 250019 .....
250009	—	Bed End Cover .....
250010	13811	" " " Catch Releaser .....
250011	13811	" " " Support (left) .....
250012	13811	" " " " (right) .....
250013	—	" Extension .....
250014	13751	" Shaft .....
250015	13749	" " Bushing (front) .....
250017	13946	" " Collar with two 1258E ..

No.	Plate	Name
250018	13865	Bed Support (left) with 250004, 250006, 250008, two 250007 and six 158E .....
250019	13865	Bed Support (right) with 250004, 250006, 250008, two 250007 and six 158E .....
250020	13818	Buttonhole Cutting Carrier Cam with 200364c .....
250021	13818	Buttonhole Cutting Carrier Lever with 990D, 201366c, 201524E and 201892 .....
250022	13946	Buttonhole Cutting Carrier Lever Adjusting Screw Stud Sleeve ..
250023	13946	Buttonhole Cutting Disengaging Lever .....
250027	—	Buttonhole Cutting Knife Adjusting Block .....
250030	13885	Buttonhole Cutting Knife Clamping Plate .....
250031	13751	Buttonhole Cutting Lever (lower), for 251267 .....
250032	13815	Buttonhole Cutting Lever (lower) Cam with 453c .....
250033	13815	Buttonhole Cutting Lever (upper) with 232482, 250468, 350111c and two 232483 .....
250036	13885	Buttonhole Cutting Lever Bracket Gib (left) .....
250037	13885	Buttonhole Cutting Lever Bracket Gib (right) .....
250038	13754	Buttonhole Cutting Lever Hinge Stud .....
250039	13754	Buttonhole Cutting Pressure Wedge with 232056 .....
250040	13815	Buttonhole Cutting Shaft .....
250041	—	Obsolete.
250042	13815	Buttonhole Cutting Starting Lever with 201085c .....
250043	13756	Buttonhole Cutting Starting Lever Plate .....
250044	13756	Buttonhole Cutting Starting Lever Spring .....
250045	13756	Buttonhole Cutting Trip Lever with 460c .....
250046	13756	Buttonhole Cutting Trip Lever Bracket .....
250047	13756	Buttonhole Cutting Trip Lever Safety Lever with 237F .....
250048	13756	Buttonhole Cutting Trip Lever Shaft .....



No.	Plate	Name
250049	13756	Buttonhole Cutting Trip Lever Spring .....
250050	13834	Driving Wheel (loose) .....
250052	13758	Feed Adjusting Gear Bracket .....
250053	13758	" " " " Clamp- ing Post .....
250054	13758	Feed Driving Gear (intermediate) with 457c .....
250055	13899	Feed Driving Gear (intermediate) Shaft .....
250056	13751	Feed Wheel with three 232382 .....
250057	13825	" " Driving Pawl .....
250058	13825	" " " " Spring .....
250059	13758	" " Friction Ring Bracket .....
250060	13758	" " " " Section (long) .....
250061	13758	Feed Wheel Friction Ring Section (short) .....
250062	13759	Feed Wheel Ring Gib .....
250063	13759	Intermittent Feed Driving Wheel Shaft Gear with 465c .....
250064	13900	Loop Retainer (left) .....
250065	13900	" " " Carrier .....
250067	13900	" " (right) Carrier .....
250068	13900	" " Adjusting Block .....
250070	13900	" " Carrier Link .....
250071	13900	" " " Shaft .....
250072	13900	" " " " Collar (ob- solete) .....
250073	13900	Loop Retainer Driving Bar .....
250074	13900	" " Shim (.005 in. thick) .....
250075	13758	" " Slide with 201943 .....
250076	13900	" " " Gib (lower) .....
250077	13900	" " " " (upper) .....
*250078	—	" " " Guide Extension, for 250003 .....
250080	13901	Looper (threaded) .....
250081	13758	" Bracket with 735E .....
250082	13842	" " Frame Chip Guard .....
250084	13949	" " Rotating Gear Posi- tion Pin .....
250085	13901	Looper Carrier .....
250086	13901	" " Link .....
250087	13901	" Driving Bar .....
250088	13901	" " Connection with 1120c, 250471 and two 233D .....
250089	13901	Looper Driving Connection Slide Rod .....
250090	13901	Looper Driving Connection Slide Rod Bushing (lower) .....

No.	Plate	Name
250091	13901	Looper Driving Connection Slide Rod Bushing (upper) .....
250092	13901	Looper Driving Crank .....
250094	13762	" " " Gear with 735E .....
250095	13762	" " " " Position Pin .....
250096	13762	Looper Driving Crank Link .....
250097	13762	" " Disc, for 255035 .....
250098	13762	Looper Driving Gear .....
250099	13762	" " Roller Stud, for 201953 .....
*250100	—	" Frame .....
250101	13762	" Screw Washer .....
250102	13949	" Thread Leader .....
250105	13903	Needle Bar Driving Crank with 200394c and two 200382c .....
250106	13903	Needle Driving Bar .....
250108	13903	" " " Swivel with 210933 .....
250111	13951	Needle Holder Gauge Plate .....
250112	13903	" " " " Block .....
250113	—	" " Slide (obsolete) .....
250114	13903	" " " Lever with 255056 .....
250115	13903	" " " Stud .....
250116	13903	" " " " Screw Washer .....
250117	13951	Needle Rotating Gear with 735E .....
250118	13951	" " " Key .....
250119	13934	" Thread Guide .....
250120	13879	" " Nipping Cam with 460c (obsolete) .....
250122	13875	Needle Thread Nipping Lever with 200075c, 200139E, 201103c, 201534E, 201535E, 201869 and 250123 (obso- lete) .....
250123	13875	Needle Thread Nipping Lever Rol- ler Stud Washer, for 250122 (ob- solete) .....
Nos. 250126 to 250136 (obsolete)		
250126	13879	Needle Thread Take-up with 735c .....
250127	13879	" " " Shaft .....
250128	13875	" " " Bracket .....
250129	13875	" " " Spring .....
250130	13875	" " " " Stop Plate .....
250131	13875	Needle Thread Take-up Thread Guide .....
250132	13875	Needle Thread Take-up Thread Guide Hinge Pin .....

No.	Plate	Name
250133	13875	Needle Thread Take-up Thread Guide Spring Latch .....
250134	13875	Needle Thread Take-up Thread Stripper .....
250135	13875	Needle Thread Tension Releaser Arm .....
250136	13875	Needle Thread Tension Releaser Arm Plate .....
250139	13875	Needle Thread Tension Thread Guide (obsolete) .....
250140	13848	Needle Vibrating Adjusting Link..
250141	13848	" " Bell Crank .....
250142	13848	" " " " Connection
250143	13847	" " " " " "
		End Bearing 38443 with 42525, 201449c and two 175e .....
250144	13848	Needle Vibrating Lever .....
250145	13769	" " Rod .....
250146	13769	" " " Guide with 1230e
250147	13769	" " Switch .....
250148	13769	Pattern Wheel Position Stud, for 250149 .....
250149	13770	Pattern Wheel Shaft with 250148..
250150	13770	" " " Bevel Gear with 168d .....
250151	13770	Pattern Wheel Shaft Bushing (left)
250152	13770	" " " " (right)
250153	13770	Rapid Feed Clutch Roller Retainer
250154	13770	" " " Disengaging Lever .....
250155	13770	Rapid Feed Clutch Disengaging Sleeve (obsolete) .....
250156	13770	Rapid Feed Clutch Driving Disc ..
250157	13770	" " " Roller Carrier with 624e (obsolete) .....
250158	13950	Rapid Feed Crank Shaft .....
250159	13950	" " " " Bushing (back) .....
250160	13771	Rapid Feed Crank Shaft Bushing (back) Oil Tube (lower) (brass)
250161	13950	Rapid Feed Crank Shaft Bushing (front) .....
250162	—	Obsolete.
250163	13852	Rapid Feed Driving Gear .....
250164	13852	" " Gear Guard .....
250167	13852	" " Intermediate Gear Screw Stud Nut Washer .....
250170	13771	Rapid Feed Pawl Bell Crank with 202299 (obsolete) .....

No.	Plate	Name
250171	13771	Rapid Feed Pawl Bell Crank Slide Block Section .....
250172	13771	Rapid Feed Pawl Guide .....
250173	13852	" " Slide Bar (obsolete) ..
250174	13775	" " " " Bushing (left)
250175	13775	" " " " " (right)
250176	13775	" " " " Fork Connection with 889c (obsolete) .....
250177	—	Obsolete.
250180	13854	Rapid Feed Starting Latch .....
250181	13854	" " " Lever with 1454e
250185	13775	" " " " Shaft ....
250186	13774	" " " " Collar (left) with 200113f .....
250188	13774	Rapid Feed Slide Bar Spring (obsolete) .....
250188	13774	Rapid Feed Starting Pawl Spring..
250189	13775	" " " Trip Lever with 1454e .....
250190	—	Obsolete.
250191	—	Obsolete.
250192	—	Obsolete.
250193	—	No. cancelled, order 250188.
250194	13774	Rapid Feed Stop Trip Lever .....
250195	13775	" " Worm with 453c .....
250196	13775	" " " Ball Bearing Cup
250197	13775	" " " Wheel .....
250198	13775	" " " " Collar with two 453c .....
250199	13775	Starting Bell Crank .....
250200	13774	" Latch .....
250201	13774	" " Spring .....
250202	13775	" Rod .....
250203	13774	" " Block with 203e .....
250204	13776	" " Lock .....
250205	13776	" " " Spring .....
250206	13776	" " " " Screw Washer .....
250207	13776	Starting Rod Safety Lock .....
250210	—	Stitch Regulating Gear, 22 teeth ..
250211	—	" " " 26 teeth ..
250212	13776	" " " 28 teeth ..
250213	13899	" " " 33 teeth ..
250214	13899	" " " 34 teeth ..
250215	13861	" Rotating Lever (lower) with 458c .....
250216	13861	Stitch Rotating Sector (lower) ...
250217	13861	" " " (upper) ....

No.	Plate	Name
250218	13777	Stop Lever Crank with 453c
250219	13777	" " Link
250220	13777	" " " Connection
250221	13864	Stop Lever Link Connection Locking Pin
250222	13864	Stop Lever Link Connection Locking Pin Spring
250223	13777	Stop Lever Operating Lever
250224	13864	" " " Plate
250225	13777	" " Shaft
250227	13777	Vertical Shaft Bevel Gear (upper) (order Position Screw or Set Screw as required)
250236	13948	Work Clamp Base (left) Guard, for 255065
250238	13948	Work Clamp Base (right) Guard, for 255066
250239	13948	Work Clamp Base Clamping Plate (left), for 255065
250240	13948	Work Clamp Base Clamping Plate (right), for 255066
250241	13887	Work Clamp Base Spring (left), for 255065
250242	13887	Work Clamp Base Spring (right), for 255066
250244	13826	Work Clamp Carrier Feed Lever
250245	13825	" " " " "
		Link
250246	13825	Work Clamp Carrier Feed Lever Link Block
250248	13954	Work Clamp Carrier Side Throw Lever (lower section) with 201097c and 201530E
250249	13954	Work Clamp Carrier Side Throw Lever (upper section) with 201374E and 201937
250250	13825	Work Clamp Carrier Side Throw Lever Lock Pin with 201940 and 350072E
250251	13825	Work Clamp Carrier Side Throw Lever Lock Pin Spring
250252	13826	Work Clamp Carrier Side Throw Lever Slide Block Guide
250253	13954	Work Clamp Carrier Slide (left) with 200119D
250254	13954	Work Clamp Carrier Slide (right) with 200119D
250255	13954	Work Clamp Carrier Slide Stay Plate

No.	Plate	Name
250261	13891	Work Clamp Closing Lever Disengaging Block
250263	13823	Work Clamp Closing Lever Engaging Stud Latch
250264	13891	Work Clamp Closing Lever Engaging Stud Latch Spring
250265	13891	Work Clamp Closing Lever Engaging Stud Spring
250266	13887	Work Clamp Closing Lever (hand) with 209E, for 255058
250267	13891	Work Clamp Closing Lever Spring
250268	13887	" " Connection Lever (left) with 209E, for 255057
250270	13950	Work Clamp Opening Bell Crank with 1819
250273	—	Obsolete.
250274	13895	Work Clamp Opening Rod Guide with 808D
250275	13895	Work Clamp Opening Stop (adjustable), for 255066
250276	13952	Work Clamp Spreader (left)
250277	13952	" " " (right)
250279	13954	" " " Base Plate
250281	13953	" " " Connection Link (left)
250285	13785	Work Clamp Spreader Operating Pawl, for 252513
250286	13785	Work Clamp Spreader Operating Pawl Spring
250287	13785	Work Clamp Spreader Releaser, for 255079
250288	—	Drip Pan
250289	13866	Wrench
250290	13818	Buttonhole Cutting Driving Wheel with 446E
250291	13954	Driving Wheel Stop Cam (obsolete)
250359	—	Pattern Wheel, for 5 in. Eye and Straight Buttonhole (large eye), for 250360
250360	—	Pattern Wheel, for 5 in. Eye and Straight Buttonhole (large eye), complete, Nos. 250359, 255024, two each 203E, 250372 and three 391D
250361	—	Pattern Wheel, for 3 in. Eye and Straight Buttonhole (large eye), for 250362
250362	—	Pattern Wheel, for 3 in. Eye and Straight Buttonhole (large eye), complete, Nos. 250361, 255025, two each 203E, 250372 and three 391D

No.	Plate	Name
250363	—	Pattern Wheel, for 1 in. Eye and Straight Buttonhole (large eye), for 250364 .....
250364	—	Pattern Wheel, for 1 in. Eye and Straight Buttonhole (large eye), complete, Nos. 250363, 255028, two each 203E, 250372 and three 391D
250365	—	Pattern Wheel, for 1½ in. Eye and Straight Buttonhole (large eye), for 250366 .....
250366	—	Pattern Wheel, for 1½ in. Eye and Straight Buttonhole (large eye), complete, Nos. 250365, 255033, two each 203E, 250372 and three 391D
250367	—	Pattern Wheel, for 1¼ in. Eye and Straight Buttonhole (large eye), for 250368 .....
250368	—	Pattern Wheel, for 1¼ in. Eye and Straight Buttonhole (large eye), complete, Nos. 250367, 255030, two each 203E, 250372 and three 391D
250369	—	Pattern Wheel, for 1¼ in. Eye and Straight Buttonhole (large eye), for 250370 .....
250370	—	Pattern Wheel, for 1¼ in. Eye and Straight Buttonhole (large eye), complete, Nos. 250369, 255031, two each 203E, 250372 and three 391D
250371	13769	Pattern Wheel Cam Block, for 250562, 250564, 250566, 250568, 250570, 250572 and 250574 .....
250372	13769	Pattern Wheel Rapid Feed Trip Point .....
250376	—	Pattern Wheel Ring, for 255024 ..
250378	—	" " " " 255025 ..
250379	—	" " " " 255026 ..
250380	—	" " " " 255027 ..
250382	13948	" " " " 255028 ..
250383	—	" " " " 255029 ..
250384	—	" " " " 255030 ..
250386	—	" " " " 255031 ..
250388	—	" " " " 255032 ..
250390	—	" " " " 255033 ..
250394	13861	Stitch Rotating Lever Rock Shaft
*250395	—	Intermittent Feed Driving Wheel Bracket .....
250396	13777	Vertical Shaft Bushing (lower) ..
250397	13811	Bed Extension Position Pin .....
250398	13774	Rapid Feed Driving Gear Key ....

No.	Plate	Name
250399	13879	Needle Thread Take-up Shaft Bracket Position Pin (obsolete)
250400	—	Stitch Rotating Lever Connection (upper) complete, Nos. 232592, 232593, 232717 and two 193D ....
250402	13865	Wrench, for 201442 and 201445 ...
250403	—	Pattern Wheel Cabinet .....
250404	13864	Stop Lever Spring .....
250405	13771	Rapid Feed Intermediate Gear Screw Stud Washer .....
250406	13771	Work Clamp Closing Lever Disengaging Block Shim (.005 in. thick)
250407	13771	Work Clamp Closing Lever Disengaging Block Shim (.010 in. thick)
250408	13865	Machine Rest (high) with 232982 and two wood screws 1 in., No. 13
250409	13774	Rapid Feed Slide Bar Lock Spring
250409	13774	" " Starting Lever Spring
250410	13900	Loop Retainer Driving Bar Collar with 200130F .....
250412	13865	Threader Wire (small) .....
250415	—	Stitch Regulating Gear, 38 teeth ..
250416	13864	Stop Lever Interlocking Slide Spring .....
250417	13806	Driving Wheel Stop Cam Spring ..
250418	13805	Finger Starting Lever with 250435 and 250436, for 255065 .....
250419	13805	Finger Starting Lever Hinge Block, for 255065 .....
250420	13805	Finger Starting Lever (intermediate) .....
250423	13805	Starting Rod Spring .....
250424	13806	Spool Pin Cap, for 225376 .....
250425	13806	Looper Thread Controlling Cam ..
250426	13806	" " " Lever with 201979 .....
250427	13806	Looper Thread Controlling Lever Bracket .....
250428	13806	Looper Thread Controlling Lever Spring .....
250429	13806	Loop Retainer Slide Roller Stud, for 201943 .....
250430	—	Obsolete.
250431	—	Obsolete.
250432	13856	Rapid Feed Tripping Pawl Lever Bracket .....
250435	13805	Finger Starting Lever Stud (back), for 250418 .....
250436	13805	Finger Starting Lever Stud (front), for 250418 .....

No.	Plate	Name
250439	13937	Work Clamp Base Retaining Stud, for 253502 .....
250443	13952	Pattern Wheel Ring Adjusting Segment .....
250444	13951	Lower Cord Leader Screw Washer
250444	13951	Pattern Wheel Ring Adjusting Segment Screw Washer, for 251427, 251428 and 251430 .....
250446	13901	Looper Driving Crank Bushing ...
250447	13951	Throat Plate Adjusting Block ....
250448	13951	" " for flat purl .....
250449	13900	Loop Retainer Shim (.010 in. thick)
250450	13900	" " (.020 in. thick)
250451	13946	Bed Shaft Bushing (front) Oil Tube Bracket .....
250451	13946	Lower Cord Tube Bracket .....
250452	13852	Rapid Feed Crank Shaft Gear with 458c .....
250453	13944	Spool Rest Rod (lower), for 225376
250454	13940	" " Coupling with two 456c, for 225376 .....
250456	13947	Buttonhole Cutting Starting Lever Safety Plate .....
250461	---	Buttonhole Cutting Knife (.126 x .180 eye) .....
250462	13949	Looper Frame Chip Guard .....
250464	13815	Buttonhole Cutting Lever Bracket with 200089b, for 250530 .....
250465	13815	Buttonhole Cutting Lever Bracket Arm, for 250530 .....
250466	13946	Buttonhole Cutting Knife (straight)
250467	13946	" " (.100 x .180 eye) .....
250468	13946	Buttonhole Cutting Block Pinch Screw Washer, for 250033 .....
250471	13901	Looper Driving Connection Plate, for 250088 .....
250472	13940	Thread Unwinder Thread Cop Holder, for 225376 .....
250473	13899	Feed Adjusting Gear Bracket Clamping Screw Washer .....
250474	13947	Buttonhole Cutting Knife Base Plate .....
250475	13947	Buttonhole Cutting Knife Clamping Lever .....
250478	---	Stitch Regulating Gear, 42 teeth..
250491	13949	Loop Retainer Screw Washer ....
250495	13951	Rapid Feed Crank Shaft Bushing (back) Oil Tube (upper) (brass)

No.	Plate	Name
250497	13942	Cord Leader (upper) Gib, for 252524
250498	13942	" " (upper) Slide, for 252524
250499	13942	" " " " Cap Plate, for 252524 .....
250500	13942	Cord Leader (upper) Slide Spring, for 252524 .....
250512	13912	Work Clamp Check Extension (left), for 250554 .....
250513	13912	Work Clamp Check Extension (right), for 250556 .....
250518	13942	Thread Lubricating Cup with 171E, 250519 and 250520 .....
250519	---	Thread Lubricating Cup Oil Pad, for 250518 .....
250520	---	Thread Lubricating Cup Thread Guide, for 250518 .....
*250521	---	Screw Driver Blade, for 250522 ...
250522	13866	Screw Driver complete (for needle set screw), Nos. 225483 and 250521
250523	13948	Work Clamp Arm (left), for 255065
250524	13948	" " (right), for 255066
250525	13948	" " Bracket (left), for 255057 .....
250526	13948	Work Clamp Arm Bracket (right), for 255058 .....
250528	13937	Work Clamp Arm Cam Shaft (right), for 255058 .....
250529	13887	Work Clamp Connection Lever (right) with 209E, for 255058 ..
250530	---	Buttonhole Cutting Lever Bracket complete, Nos. 250464, 250465 and two 50027E .....
250534	13852	Rapid Feed Intermediate Gear (bronze) .....
250535	---	Obsolete.
250537	13900	Loop Retainer Shim (.030 in. thick)
250538	13947	Buttonhole Cutting Pressure Wedge Adjusting Screw 201155b with 2273, 201672E, 232054 and 232055
250543	13950	Stitch Regulating Gear Holder ....
250551	13895	Work Clamp Opening Lever with 1253c, for 255057 .....
250552	13937	Work Clamp Arm Cam Shaft (left), for 255057 .....
250553	13912	Work Clamp Check (left) with 1296E, for 250554 .....
250554	---	Work Clamp Check (left) complete, Nos. 250512, 250553 and two 229b
250555	13912	Work Clamp Check (right) with 1296E, for 250556 .....

No.	Plate	Name
250556	—	Work Clamp Check (right) complete, Nos. 250513, 250555 and two 229D .....
250558	13887	Work Clamp Check (left) with 1296E, for 255065 .....
250559	13887	Work Clamp Check (right) with 1296E, for 255066 .....
250560	13937	Throat Plate Screw Washer .....
250561	—	Pattern Wheel, for $\frac{5}{8}$ in. Taper Bar (large eye) Buttonhole, bar adjustable from $\frac{1}{4}$ to $\frac{3}{4}$ in., for 250562
250562	—	Pattern Wheel, for $\frac{5}{8}$ in. Taper Bar (large eye) Buttonhole, bar adjustable from $\frac{1}{4}$ to $\frac{3}{4}$ in., complete, Nos. 250371, 250561, 251425, two each 175E, 203E, 250372 and three 391D .....
250563	—	Pattern Wheel, for $\frac{3}{4}$ in. Taper Bar (large eye) Buttonhole, bar adjustable from $\frac{1}{4}$ to $\frac{3}{4}$ in., for 250564
250564	—	Pattern Wheel, for $\frac{3}{4}$ in. Taper Bar (large eye) Buttonhole, bar adjustable from $\frac{1}{4}$ to $\frac{3}{4}$ in., complete, Nos. 250371, 250563, 251426, two each 175E, 203E, 250372 and three 391D .....
250565	—	Pattern Wheel, for $\frac{3}{4}$ in. Taper Bar (large eye) Buttonhole, bar adjustable from $\frac{1}{4}$ to $\frac{3}{4}$ in., for 250566
250566	—	Pattern Wheel, for $\frac{3}{4}$ in. Taper Bar (large eye) Buttonhole, bar adjustable from $\frac{1}{4}$ to $\frac{3}{4}$ in., complete, Nos. 250371, 250565, 251427, two each 175E, 203E, 250372 and three 391D .....
250567	—	Pattern Wheel, for 1 in. Taper Bar (large eye) Buttonhole, bar adjustable from $\frac{1}{4}$ to $\frac{3}{4}$ in., for 250568
250568	—	Pattern Wheel, for 1 in. Taper Bar (large eye) Buttonhole, bar adjustable from $\frac{1}{4}$ to $\frac{3}{4}$ in., complete, Nos. 250371, 250567, 251428, two each 175E, 203E, 250372 and three 391D .....
250569	—	Pattern Wheel, for $1\frac{1}{4}$ in. Taper Bar (large eye) Buttonhole, bar adjustable from $\frac{1}{4}$ to $\frac{3}{4}$ in., for 250570

No.	Plate	Name
250570	—	Pattern Wheel, for $1\frac{1}{4}$ in. Taper Bar (large eye) Buttonhole, bar adjustable from $\frac{1}{4}$ to $\frac{3}{4}$ in., complete, Nos. 250371, 250569, 251430, two each 175E, 203E, 250372 and three 391D .....
250571	—	Pattern Wheel, for $1\frac{1}{4}$ in. Taper Bar (large eye) Buttonhole, bar adjustable from $\frac{1}{4}$ to $\frac{3}{4}$ in., for 250572
250572	—	Pattern Wheel, for $1\frac{1}{4}$ in. Taper Bar (large eye) Buttonhole, bar adjustable from $\frac{1}{4}$ to $\frac{3}{4}$ in., complete, Nos. 250371, 250571, 251430, two each 175E, 203E, 250372 and three 391D .....
250573	—	Pattern Wheel, for $1\frac{1}{2}$ in. Taper Bar (large eye) Buttonhole, $\frac{1}{4}$ in. adjustable bar, for 250574 .....
250574	—	Pattern Wheel, for $1\frac{1}{2}$ in. Taper Bar (large eye) Buttonhole, $\frac{1}{4}$ in. adjustable bar, complete, Nos. 250371, 250573, 251430, two each 175E, 203E, 250372 and three 391D
250575	—	Pattern Wheel, for $\frac{5}{8}$ in. Taper Bar (medium eye) Buttonhole, bar adjustable from $\frac{1}{4}$ to $\frac{3}{4}$ in., for 250576
250576	—	Pattern Wheel, for $\frac{5}{8}$ in. Taper Bar (medium eye) Buttonhole, bar adjustable from $\frac{1}{4}$ to $\frac{3}{4}$ in., complete, Nos. 250575, 251425, two each 203E, 250372 and three 391D ....
250577	—	Pattern Wheel, for $\frac{3}{4}$ in. Taper Bar (medium eye) Buttonhole, bar adjustable from $\frac{1}{4}$ to $\frac{3}{4}$ in., for 250578
250578	—	Pattern Wheel, for $\frac{3}{4}$ in. Taper Bar (medium eye) Buttonhole, bar adjustable from $\frac{1}{4}$ to $\frac{3}{4}$ in., complete, Nos. 250577, 251426, two each 203E, 250372 and three 391D ....
250579	—	Pattern Wheel, for $\frac{3}{4}$ in. Taper Bar (medium eye) Buttonhole, bar adjustable from $\frac{1}{4}$ to $\frac{3}{4}$ in., for 250580
250580	—	Pattern Wheel, for $\frac{3}{4}$ in. Taper Bar (medium eye) Buttonhole, bar adjustable from $\frac{1}{4}$ to $\frac{3}{4}$ in., complete, Nos. 250579, 251427, two each 203E, 250372 and three 391D ....
250581	—	Pattern Wheel, for 1 in. Taper Bar (medium eye) Buttonhole, bar adjustable from $\frac{1}{4}$ to $\frac{3}{4}$ in., for 250582

No.	Plate	Name
250582	—	Pattern Wheel, for 1 in. Taper Bar (medium eye) Buttonhole, bar adjustable from $\frac{1}{4}$ to $\frac{3}{8}$ in., complete, Nos. 250581, 251428, two each 203E, 250372 and three 391D . . . .
250583	—	Pattern Wheel, for 1 $\frac{1}{4}$ in. Taper Bar (medium eye) Buttonhole, bar adjustable from $\frac{1}{4}$ to $\frac{3}{8}$ in., for 250584
250584	—	Pattern Wheel, for 1 $\frac{1}{4}$ in. Taper Bar (medium eye) Buttonhole, bar adjustable from $\frac{1}{4}$ to $\frac{3}{8}$ in., complete, Nos. 250583, 251430, two each 203E, 250372 and three 391D . . . .
250585	—	Pattern Wheel, for 1 $\frac{1}{4}$ in. Taper Bar (medium eye) Buttonhole, bar adjustable from $\frac{1}{4}$ to $\frac{1}{2}$ in., for 250586
250586	—	Pattern Wheel, for 1 $\frac{1}{4}$ in. Taper Bar (medium eye) Buttonhole, bar adjustable from $\frac{1}{4}$ to $\frac{1}{2}$ in., complete, Nos. 250585, 251430, two each 203E, 250372 and three 391D . . . .
250587	—	Pattern Wheel, for 1 $\frac{3}{8}$ in. Taper Bar (medium eye) Buttonhole, $\frac{1}{4}$ in. adjustable bar, for 250588 . . . .
250588	—	Pattern Wheel, for 1 $\frac{3}{8}$ in. Taper Bar (medium eye) Buttonhole, $\frac{1}{4}$ in. adjustable bar, complete, Nos. 250587, 251430, two each 203E, 250372 and three 391D . . . .
250589	13949	Intermittent Feed Driving Wheel Driving Stud, for 250590 . . . .
250590	13777	Vertical Shaft with two each 204648 and 250589 . . . .
250592	13947	Buttonhole Cutting Disengaging Push Rod . . . .
250597	13938	Work Clamp Carrier Slide Stay Plate Position Pin . . . .
250598	—	Stitch Regulating Gear, 30 teeth . .
250599	13937	Work Clamp Carrier Side Throw Lever Hinge Stud . . . .
250600	13937	Work Clamp Carrier Side Throw Lever Hinge Stud Collar with two 448C . . . .
Nos. 250737 to 250741 (obsolete)		
250737	13955	Throat Plate with 200589D and 250738 . . . .
250738	13955	Throat Plate Needle Thread Cutter, for 250737 . . . .

No.	Plate	Name
250739	13955	Needle Thread Tension Thread Guide . . . .
250740	13955	Needle Thread Retainer Holder with 462C, for 250741 . . . .
250741	---	Needle Thread Retainer complete, Nos. 1620E, 12400, 12402, 39713 and 250740 . . . .
251024	13932	Driving Wheel Stop Cam . . . .
251025	13932	" " " " Position Collar with 1036C . . . .
251026	13933	Stop Lever with 200352C . . . .
251152	13952	Lower Cord Leader . . . .
251153	13900	Loop Retainer (right) . . . .
251155	13903	Needle Holder Slide Spring . . . .
251168	13856	Rapid Feed Tripping Pawl . . . .
251169	13856	" " " " Lever . .
251170	13856	Looper Thread Tension Releaser Lever Spring . . . .
251184	---	Obsolete.
251214	13903	Needle Holder with 904E . . . .
251216	---	Pattern Wheel, for $\frac{5}{8}$ in. Eye Buttonhole (large and medium eye), for 251217 . . . .
251217	---	Pattern Wheel, for $\frac{5}{8}$ in. Eye Buttonhole (large and medium eye), complete, Nos. 251216, 255024, two each 203E, 250372 and three 391D
251220	---	Pattern Wheel, for $\frac{3}{4}$ in. Eye Buttonhole (large and medium eye), for 251221 . . . .
251221	---	Pattern Wheel, for $\frac{3}{4}$ in. Eye Buttonhole (large and medium eye), complete, Nos. 251220, 255025, two each 203E, 250372 and three 391D
251222	---	Pattern Wheel, for $\frac{13}{16}$ in. Eye Buttonhole (large and medium eye), for 251223 . . . .
251223	---	Pattern Wheel, for $\frac{13}{16}$ in. Eye Buttonhole (large and medium eye), complete, Nos. 251222, 255026, two each 203E, 250372 and three 391D
251224	---	Pattern Wheel, for $\frac{3}{4}$ in. Eye Buttonhole (large and medium eye), for 251225 . . . .
251225	---	Pattern Wheel, for $\frac{7}{8}$ in. Eye Buttonhole (large and medium eye), complete, Nos. 251224, 255027, two each 203E, 250372 and three 391D

No.	Plate	Name
251228	13948	Pattern Wheel, for 1 in. Eye Buttonhole (large and medium eye), for 251229 .....
251229	—	Pattern Wheel, for 1 in. Eye Buttonhole (large and medium eye), complete, Nos. 251228, 255028, two each 203E, 250372 and three 391D
251230	—	Pattern Wheel, for 1 $\frac{1}{8}$ in. Eye Buttonhole (large and medium eye), for 251231 .....
251231	—	Pattern Wheel, for 1 $\frac{1}{8}$ in. Eye Buttonhole (large and medium eye), complete, Nos. 251230, 255029, two each 203E, 250372 and three 391D
251232	—	Pattern Wheel, for 1 $\frac{1}{4}$ in. Eye Buttonhole (large and medium eye), for 251233 .....
251233	—	Pattern Wheel, for 1 $\frac{1}{4}$ in. Eye Buttonhole (large and medium eye), complete, Nos. 251232, 255030, two each 203E, 250372 and three 391D
251236	—	Pattern Wheel, for 1 $\frac{1}{4}$ in. Eye Buttonhole (large and medium eye), for 251237 .....
251237	—	Pattern Wheel, for 1 $\frac{1}{4}$ in. Eye Buttonhole (large and medium eye), complete, Nos. 251236, 255031, two each 203E, 250372 and three 391D
251240	—	Pattern Wheel, for 1 $\frac{3}{8}$ in. Eye Buttonhole (large and medium eye), for 251241 .....
251241	—	Pattern Wheel, for 1 $\frac{3}{8}$ in. Eye Buttonhole (large and medium eye), complete, Nos. 251240, 255032, two each 203E, 250372 and three 391D
251244	—	Pattern Wheel, for 1 $\frac{1}{2}$ in. Eye Buttonhole (large and medium eye), for 251245 .....
251245	—	Pattern Wheel, for 1 $\frac{1}{2}$ in. Eye Buttonhole (large and medium eye), complete, Nos. 251244, 255033, two each 203E, 250372 and three 391D
251267	13815	Buttonhole Cutting Lever 250031 with 251269 and 251270 .....
251268	13885	Buttonhole Cutting Lever Spring
251269	13885	" " " " Bracket (lower), for 251267 .....
251270	13885	Buttonhole Cutting Lever Spring Bracket (lower) Pin, for 251267..

No.	Plate	Name
251271	13815	Buttonhole Cutting Lever (upper) Cam with 453c .....
251292	13949	Finger Starting Lever (intermediate) Operating Stud Collar with 646E .....
251351	13954	Work Clamp Arm (left) (obsolete)
251352	13954	" " " (right) (obsolete) .....
251360	—	Obsolete.
251361	—	Obsolete.
251425	—	Pattern Wheel Ring 251493 with 252662, 252663, two each 211E and 250444, for 250562 and 250576 ..
251426	—	Pattern Wheel Ring 251494 with 252662, 252663, two each 211E and 250444, for 250564 and 250578 ...
251427	—	Pattern Wheel Ring 251495 with 252662, 252663, two each 211E and 250444, for 250566 and 250580 ..
251428	—	Pattern Wheel Ring 251496 with 252662, 252663, two each 211E and 250444, for 250568 and 250582 ..
251430	—	Pattern Wheel Ring 251497 with 252662, 252663, two each 211E and 250444, for 250570, 250572, 250574, 250584, 250586 and 250588 .....
251493	—	Pattern Wheel Ring, for 251425 ..
251494	—	" " " " 251426 ..
251495	—	" " " " 251427 ..
251496	—	" " " " 251428 ..
251497	—	" " " " 251430 ..
251499	—	Obsolete.
251500	—	Obsolete.
251511	—	Obsolete.
251512	—	Obsolete.
251518	13949	Finger Starting Lever Spring, for 255065 .....
251519	13939	Work Clamp Opening Lever Latch, for 255065 .....
251520	—	Obsolete.
251552	—	Obsolete.
251566	—	Obsolete.
251609	—	Obsolete.
251610	—	Obsolete.
252081	13934	Needle Thread Controller Stud ...
252081	13934	" " Retainer Stud, for 255067 .....
252082	13934	Needle Thread Retainer Tension Disc .....



No.	Plate	Name
252083	13932	Needle Thread Tension Bracket ..
252184	13937	Work Clamp Arm Hinge Block, for 255065 and 255066 .....
252194	13823	Work Clamp Closing Lever .....
252196	13823	" " " " Adjust- ing Arm with 201531H, 201948 and 228026 .....
252197	—	Obsolete.
252198	—	Obsolete.
252202	13953	Work Clamp Spreader Adjusting Screw Bracket, for 255065 and 255066 .....
252266	13935	Rapid Feed Slide Bar .....
252267	13935	" " " " Fork Connec- tion with 889c .....
252269	13936	Rapid Feed Slide Bar Collar with two 448c .....
252271	13936	Rapid Feed Slide Bar Lock Block
252273	13936	" " " " Spring ....
252274	13936	" " " " " Wash- er .....
252306	13935	Rapid Feed Slide Bar Lock .....
252503	13942	Cord Leader (upper), for 252524 ..
252506	—	Cording Device complete, Nos. 252524, 252532 and 252535 .....
252512	13953	Work Clamp Spreader Operating Pawl Adjusting Block, for 252513
252513	—	Work Clamp Spreader Operating Pawl complete, Nos. 176D, 7071, 250285 and 252512 .....
252524	—	Cord Leader (upper) complete, Nos. 223D, 202603, 250497 to 250500, 252503 and two 200161D, for 252506 .....
252532	13942	Cord Leader (upper) Wire, for 252506 .....
252533	13942	Cord Spool Tension Stud Bracket (upper), for 252535 .....
252535	—	Cord Spool Tension Stud Bracket 252533 with 1520J, 10111, 10112, 201710D, 350162E and 350163D, for 252506 .....
252625	13954	Work Clamp Arm (left) .....
252627	13954	" " " (right) .....
252662	13955	Pattern Wheel Ring Adjusting Seg- ment (curve rise) .....
252663	13955	Pattern Wheel Ring Adjusting Seg- ment (straight drop) .....
253152	—	Obsolete.
253153	—	Obsolete.

No.	Plate	Name
253472	13901	Looper (non threaded) .....
253481	13935	Rapid Feed Clutch Disengaging Sleeve .....
253482	13955	Rapid Feed Slide Bar Fork Connec- tion Extension Plate (obsolete)
253488	13949	Looper Thread Controlling Spring Stop .....
253496	13948	Work Clamp Base (left) with 232304, for 255065 .....
253497	13948	Work Clamp Base (right) with 232304, for 255066 .....
253502	13948	Work Clamp Carrier Base Plate with 250439 .....
253503	13952	Work Clamp Spreader Cam .....
253504	13952	" " " " Crank with 906c .....
253505	13953	Work Clamp Spreader Connection
253506	13953	" " " " " Bracket with 201981 .....
253507	13953	Work Clamp Spreader Connection Link (right) .....
253508	13953	Work Clamp Spreader Lever (front)
253509	13953	" " " " Operating Fork Lever .....
253510	13950	Work Clamp Spreader Operating Fork Lever Connection .....
253512	13952	Rapid Feed Starting Lever Latch Stop Washer .....
253513	13949	Looper Thread Controlling Spring
253524	—	Work Clamp Spreader Connection Bracket Roller Stud, for 201981
253525	13953	Work Clamp Spreader Retaining Plate .....
253530	13949	Looper Thread Tension Releaser
253531	13932	" " " " " Lever .....
253532	13933	Looper Thread Tension Releaser Lever Rod .....
253533	13932	Looper Thread Tension Releaser Operating Lever with 237F .....
253534	13932	Looper Thread Tension Releaser Operating Cam Block with 219F
253535	13932	Looper Thread Tension Releaser Lever Rod Collar with 237F ....
253536	13935	Rapid Feed Pawl Bell Crank with 202299 .....
253537	13935	Rapid Feed Starting Pawl .....
253538	13936	" " Slide Bar Fork Connec- tion Extension Plate .....
253629	13934	Needle Thread Controller .....

No.	Plate	Name
253666	13937	Work Clamp Arm Cam with 209F, for 255057 and 255058 .....
253679	13950	Work Clamp Opening Lever Latch Releasing Bracket with 200E, 1547J and 350218C, for 255079 ...
253680	13952	Work Clamp Opening Cam with 462C .....
255003	13939	Work Clamp Spring, for 255065 and 255066 .....
255004	13934	Needle Thread Controller Spring, for 255067 .....
255005	—	Needle Thread Controller Spring Bracket with 171E, for 255067 ..
255006	13934	Needle Thread Controller Spring Stop, for 255067 .....
255007	13934	Needle Thread Controller Spring Thread Guide, for 255067 .....
255009	13933	Needle Thread Tension Releasing Lever .....
255010	13933	Needle Thread Tension Releasing Lever Bracket .....
255011	13936	Needle Thread Tension Releasing Lever Spring .....
255013	13935	Needle Thread Tension Releasing Rod .....
255014	13936	Needle Thread Tension Releasing Rod Bracket .....
255015	13936	Needle Thread Tension Releasing Rod Plate .....
255016	13939	Work Clamp Spring Wear Plate, for 255065 and 255066 .....
255019	—	Buttonhole Cutting Shaft Pulley (loose) with 255021, two each 172D, 210750 and eight 232817, for 255020
255020	13933	Buttonhole Cutting Shaft Pulley complete, Nos. 255019, two each 255022, 255023 and 350198F .....
255021	13935	Work Clamp Closing Lever Cam Groove Protector, for 255019 ...
255022	13938	Work Clamp Closing Lever Cam Safety Latch, for 255020 .....
255023	13938	Work Clamp Closing Lever Cam Safety Latch Spring, for 255020
255024	—	Pattern Wheel Ring 250376 with 211E, 250443 and 250444, for 250360 and 251217 .....
255025	—	Pattern Wheel Ring 250378 with 211E, 250443 and 250444, for 250362 and 251221 .....

No.	Plate	Name
255026	—	Pattern Wheel Ring 250379 with 211E, 250443 and 250444, for 251223
255027	—	Pattern Wheel Ring 250380 with 211E, 250443 and 250444, for 251225
255028	—	Pattern Wheel Ring 250382 with 211E, 250443 and 250444, for 250364 and 251229 .....
255029	—	Pattern Wheel Ring 250383 with 211E, 250443 and 250444, for 251231
255030	—	Pattern Wheel Ring 250384 with 211E, 250443 and 250444, for 250368 and 251223 .....
255031	—	Pattern Wheel Ring 250386 with 211E, 250443 and 250444, for 250370 and 251237 .....
255032	—	Pattern Wheel Ring 250388 with 211E, 250443 and 250444, for 251241
255033	—	Pattern Wheel Ring 250390 with 211E, 250443 and 250444, for 250366 and 251245 .....
255034	13936	Needle Vibrating Lever Hinge Stud
255035	—	Looper Driving Disc 250097 with 201435C and 201704E .....
255045	—	Buttonhole Cutting Block (steel), 1½ in. (eye or taper bar) .....
255046	—	Buttonhole Cutting Block (steel), ¾ in. (eye or taper bar) .....
255047	—	Buttonhole Cutting Block (steel), ¾ in. (eye or taper bar) .....
255048	—	Buttonhole Cutting Block (steel), ¾ in. (eye or taper bar) .....
255049	13946	Buttonhole Cutting Block (steel), 1 in. (eye or taper bar) .....
255050	—	Buttonhole Cutting Block (steel), 1¼ in. (eye or taper bar) .....
255051	—	Buttonhole Cutting Block (steel), 1¼ in. (eye or taper bar) .....
255052	—	Buttonhole Cutting Block (steel), 1¾ in. (eye or taper bar) .....
255053	13935	Rapid Feed Starting Lever (operated by stop motion) with 704C, 1454E, 203213 and 255054 .....
255054	13936	Rapid Feed Starting Lever Stud, for 255053 .....
255055	13950	Loop Retainer Cam with 350223E...
255056	13934	Needle Holder Slide Lever Pin, for 250114 .....
255057	—	Work Clamp Arm Bracket (left) 250525 with 250268, 250551, 250552, 253666 and three 2269, for 255065

No.	Plate	Name
255058	—	Work Clamp Arm Bracket (right) 250526 with 250266, 250528, 250529, 253666 and three 2269, for 255066
255061	13938	Work Clamp Carrier Slide Adjusting Screw Locking Plate, for 255082 .....
255062	13949	Buttonhole Cutting Trip Screw Stud Shim (.010 in. thick) .....
255063	13949	Buttonhole Cutting Trip Screw Stud Shim (.025 in. thick) .....
255064	13952	Rapid Feed Starting Lever Latch..
255065	—	Work Clamp Base (left) 253496 with 93H, 194C, 217E, 602E, 792D, 991E, 1443E, 1550J, 7071, 10249, 13218, 200051E, 200097C, 201237E, 201537H, 228026, 232306, 232311, 232312, 250236, 250239, 250241, 250418, 250419, 250523, 250558, 251518, 251519, 252184, 252202, 255003, 255016, 255057, 350080D, 350136E, two each 207F, 201121D, 201129D, 350123E and eight 934H
255066	—	Work Clamp Base (right) 253497 with 93H, 602E, 792D, 991E, 1443E, 1550J, 13218, 200051E, 201237E, 201537H, 232270 to 232272, 232306, 232311, 232312, 250238, 250240, 250242, 250275, 250524, 250559, 252184, 252202, 255003, 255016, 255058, 350136E, two each 200186H, 201121D, 201129D, 350123E, four 207F and eight 934H .....
255067	13934	Needle Thread Controller Spring Bracket 255005 with 231C, 252081, 255004, 255006 and 255007 .....
255068	13938	Work Clamp Closing Lever Engaging Stud, for 255070 .....
255069	13938	Work Clamp Closing Lever Engaging Stud Roller Cap, for 255070..
255070	—	Work Clamp Closing Lever Engaging Stud complete, Nos. 201956, 255068, 255069 and 350133E .....
255072	13934	Needle Guard .....
255073	13934	" " Support .....
255074	13951	" Holder Slide .....
255075	13937	Work Clamp Carrier Feed Lever Roller Stud, for 201988 .....
255076	13937	Work Clamp Carrier Feed Lever Roller Stud Washer .....

No.	Plate	Name
255077	13939	Work Clamp Opening Rod, for 255079 .....
255078	13939	Work Clamp Opening Rod Connection, for 255079 .....
255079	—	Work Clamp Opening Rod complete, Nos. 203C, 1662J, 250287, 253679, 255077 and 255078 .....
255080	13950	Finger Starting Lever (intermediate) Bracket with 208E and 991C
255081	13939	Work Clamp Spreader Operating Fork Lever Stop Plate .....
255082	13938	Work Clamp Carrier Slide Adjusting Bracket with 255061 and two 208D .....
255084	—	Buttonhole Cutting Block (steel), $\frac{5}{8}$ in. (straight) .....
255085	—	Buttonhole Cutting Block (steel), $\frac{3}{4}$ in. (straight) .....
255087	13946	Buttonhole Cutting Block (steel), 1 in. (straight) .....
255088	—	Buttonhole Cutting Block (steel), $1\frac{1}{4}$ in. (straight) .....
255089	—	Buttonhole Cutting Block (steel), $1\frac{1}{4}$ in. (straight) .....
255091	—	Buttonhole Cutting Block (steel), $1\frac{1}{2}$ in. (straight) .....
255092	13952	Rapid Feed Starting Lever Latch Spring .....
255093	13941	Work Position Gauge (left) .....
255094	13941	" " " (right) .....
255095	13932	Rapid Feed Clutch Roller Carrier with 624E .....
255096	13936	Rapid Feed Clutch Roller Spring
255097	13936	" " " " " " Guide Pin .....
255122	13936	Needle Thread Tension Releasing Block with 200E .....
255509	13938	Work Clamp Carrier Slide Gib (left, back), for 250003 .....
255510	13938	Work Clamp Carrier Slide Gib (left, front), for 250003 .....
255511	13938	Work Clamp Carrier Slide Gib (right, back), for 250003 .....
255512	13938	Work Clamp Carrier Slide Gib (right, front), for 250003 .....
255513	13866	Tweezers .....
255521	13932	Bed Shaft Bevel Gear with two 453C
255522	13935	Vertical Shaft Bevel Gear (lower) with two 453C .....

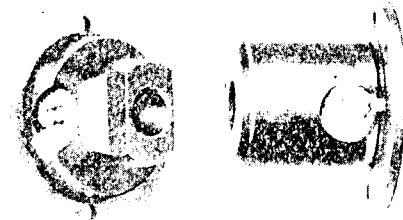
No.	Plate	Name
255523	13952	Stop Lever Interlocking Slide ...
255527	13932	Bed Shaft Bushing (front) Oil Tube
350028c	13871	Buttonhole Cutter Driving Pulley Shaft Bushing Set Screw, for 228574 .....
350028c	13871	Buttonhole Cutter Driving Pulley Shaft Bushing Set Screw .....
350066c	13776	Stitch Rotating Lever (lower) Rol- ler Screw Stud .....
350070c	13785	Work Clamp Carrier Feed Lever Link Hinge Screw (block end) ..
350071E	13785	Feed Wheel Friction Ring Adjust- ing Screw .....
350072E	13785	Work Clamp Carrier Feed Lever Roller Cap Screw, for 201988 ...
350072E	13785	Work Clamp Carrier Side Throw Lever Lock Pin Roller Cap Screw, for 250250 .....
350076c	13951	Needle Vibrating Adjusting Stud ..
350080D	13805	Finger Starting Lever Hinge Block Hinge Screw, for 255065 .....
350087c	13776	Stitch Rotating Sector (lower) Hinge Screw .....
350105E	13949	Buttonhole Cutting Starting Lever Spring Screw Stud .....
350109c	13856	Rapid Feed Tripping Pawl Hinge Screw .....
350110c	13856	Rapid Feed Tripping Pawl Lever Bracket Screw .....
350111c	13946	Buttonhole Cutting Block Pinch Screw, for 250033 .....
350113c	13899	Feed Adjusting Gear Bracket Clamping Screw .....
350114c	13947	Buttonhole Cutting Knife Clamp- ing Lever Hinge Screw .....
350123E	13937	Work Clamp Arm Hinge Block Hinge Screw, for 255065 and 255066 .....
350133E	13891	Work Clamp Closing Lever Engag- ing Stud Screw, for 255070 .....
350136E	13937	Work Clamp Arm Spring Screw, for 255065 and 255066 .....
350138E	13939	Work Clamp Spreader Operating Fork Lever Hinge Screw .....
350140D	13952	Work Clamp Spreader (left) Screw
350148D	13947	Buttonhole Cutting Starting Lever Latch Hinge Screw .....
350156E	13891	Work Clamp Closing Lever Roller Screw Stud, for 201948 .....

No.	Plate	Name
350162E	13942	Cord Spool Tension Stud, for 252535
350163D	13942	" " Adjusting Thumb Nut Clamping Screw, for 252535 ....
350166c	13955	Rapid Feed Slide Bar Lock Hinge Screw (obsolete) .....
350185c	13937	Work Clamp Carrier Feed Lever Hinge Screw .....
350192J	13941	Thread Unwinder Thread Guide Screw Stud, for 225376 .....
350198E	13938	Work Clamp Closing Lever Cam Safety Latch Hinge Screw, for 255020 .....
350215E	13951	Work Clamp Base Spring (front) Catch Stud .....
350216c	13937	Work Clamp Carrier Feed Lever Link Hinge Screw (lever end) ..
350218c	---	Work Clamp Opening Lever Latch Releasing Screw, for 253679 ....
350223E	13946	Arm Shaft Bevel Gear Position Screw .....
350223E	13946	Loop Retainer Cam Set Screw, for 255055 .....
350223E	13946	Vertical Shaft Bevel Gear Position Screw .....
350224D	13934	Looper Thread Tension Releaser Lever Hinge Screw .....
350225D	13937	Stop Lever Link Connection Screw (back) .....
350233c	13946	Buttonhole Cutting Disengaging Lever Hinge Screw .....
350256c	13951	Rapid Feed Starting Lever Latch Hinge Stud .....
350260c	13936	Rapid Feed Pawl Hinge Screw ..
350262E	13936	" " Slide Bar Lock Hinge Screw .....
350263E	13937	Stop Lever Bracket Screw .....
350278c	13949	Looper Driving Crank Link Hinge Screw .....
350293E	13936	Rapid Feed Slide Bar Spring Cap Screw .....

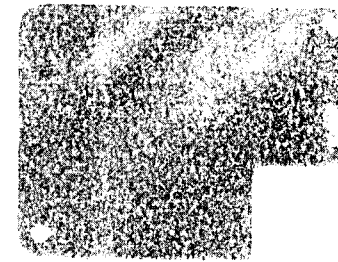
232488

232002

232490

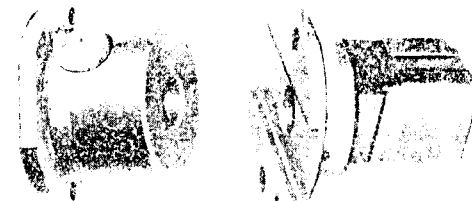


250002



232030

250015



23249

232003



232493



**ILLUSTRATIONS OF PARTS**

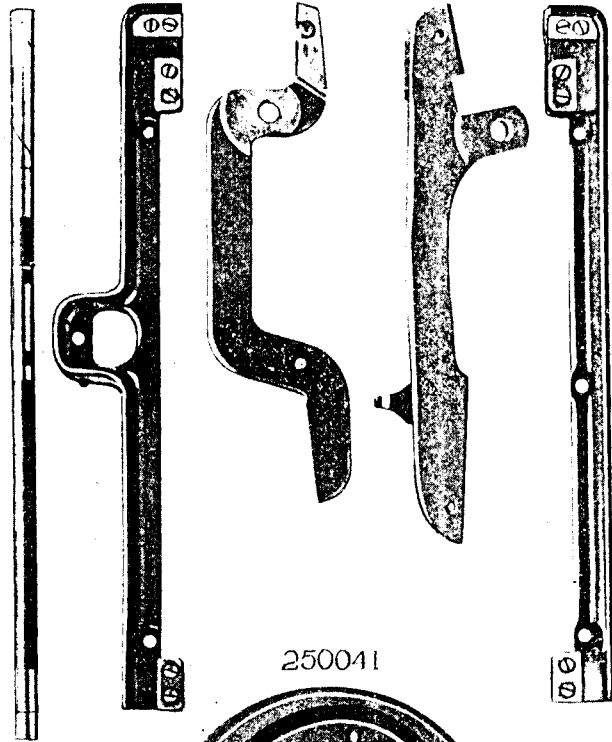
**FOR**

**MACHINE**

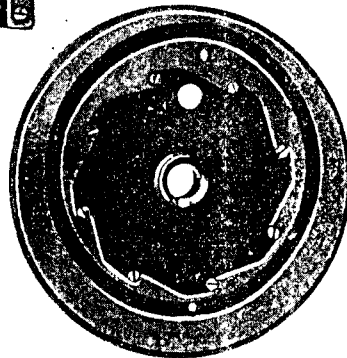
**No. 99 w 75**

PLATE 13751—ONE-FOURTH SIZE

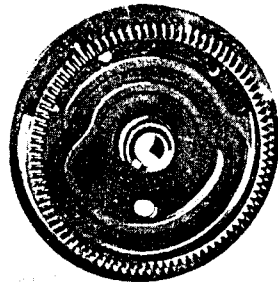
250014 250018 250031 250033 250019



250041



250056



232532

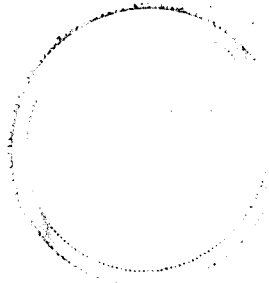
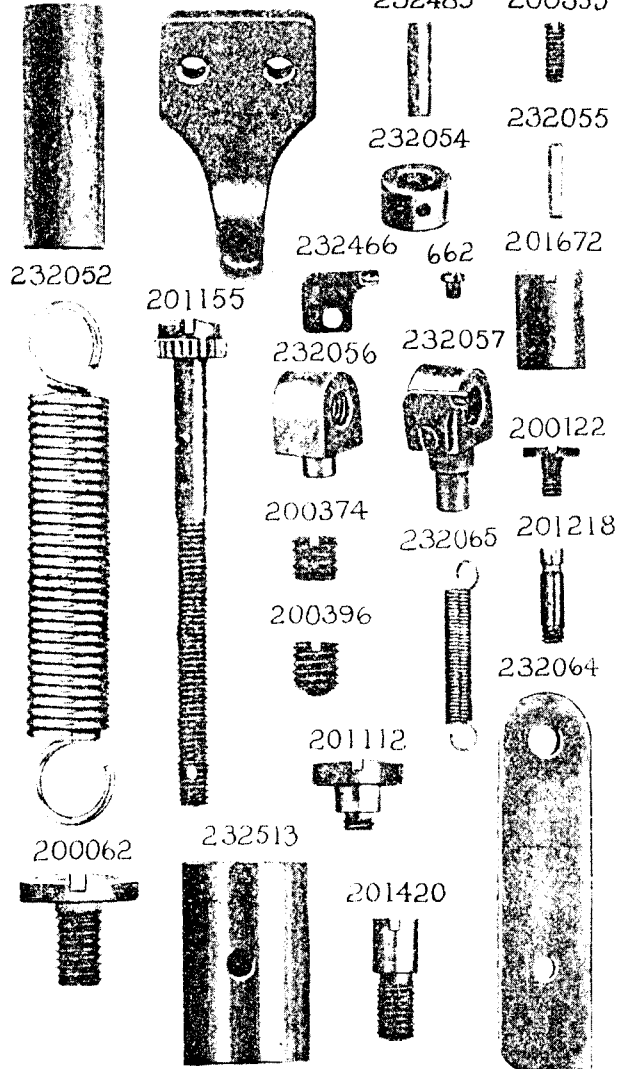


PLATE 13754—FULL SIZE

250038 232482 232483 200355



232052

201155

232056

232057

200374

232065

200396

201112

200062

232513

201420

250039

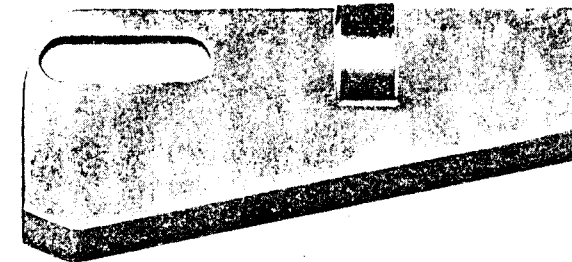


PLATE 13756—FULL SIZE

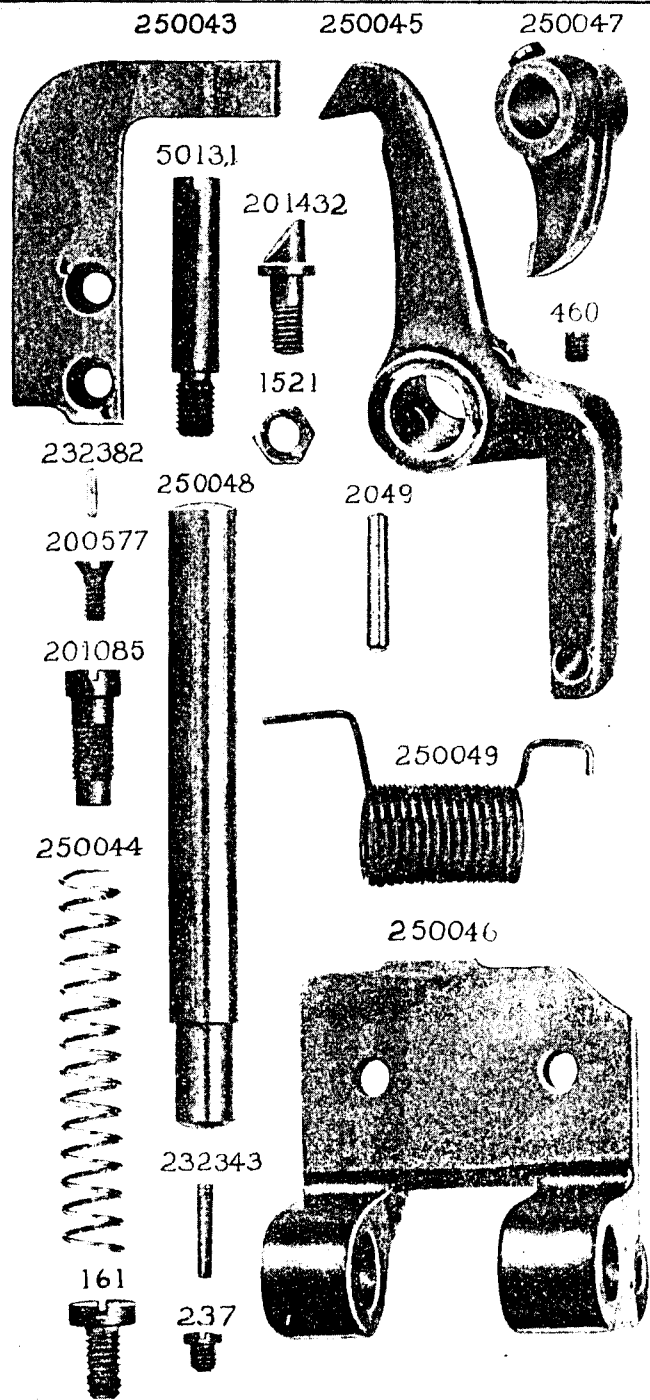


PLATE 13758—ONE-HALF SIZE

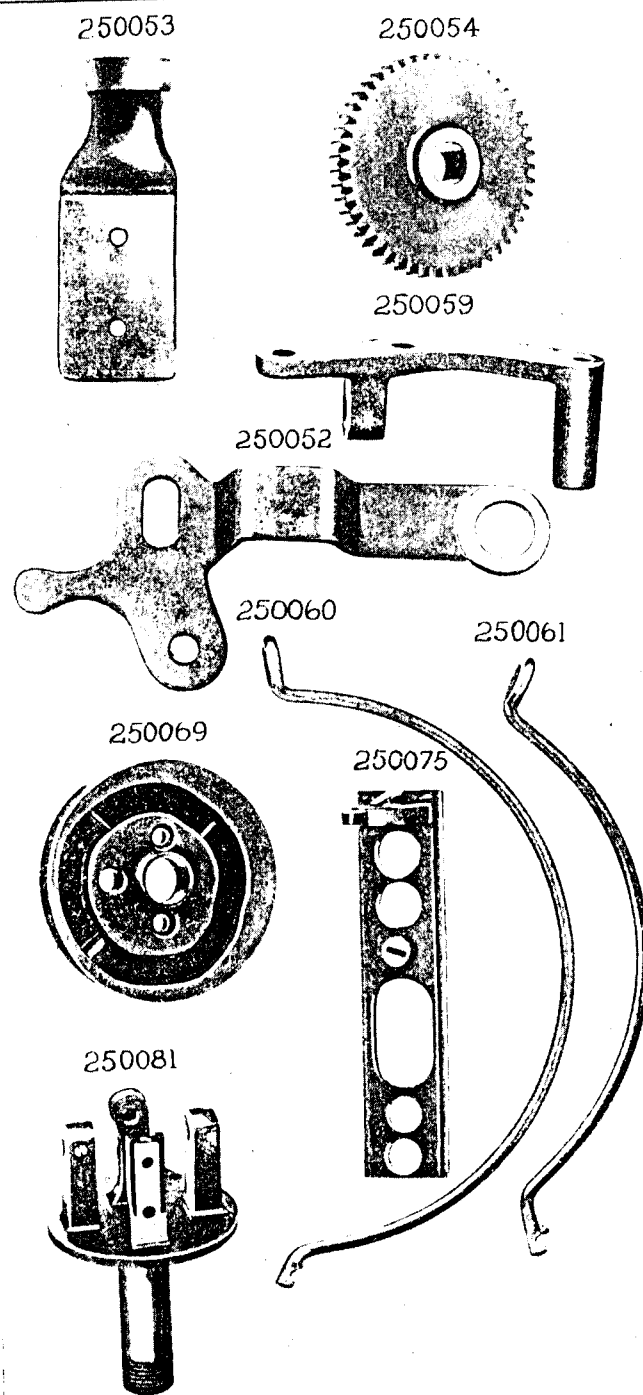


PLATE 13759—FULL SIZE

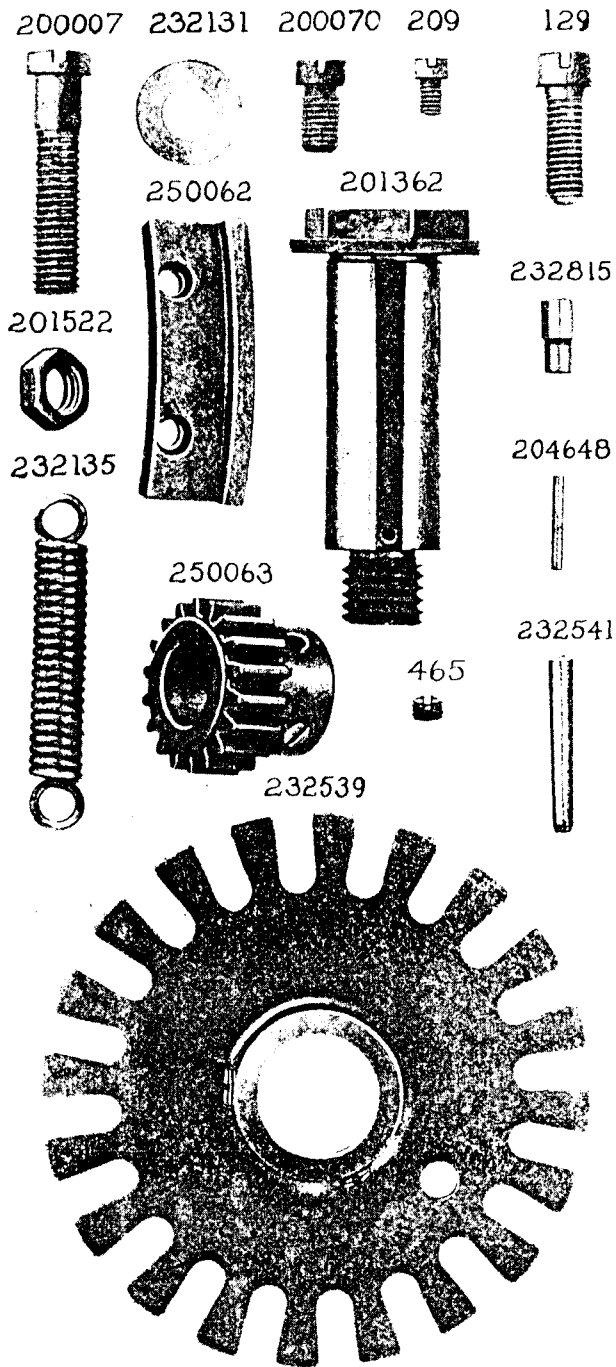


PLATE 13762—FULL SIZE

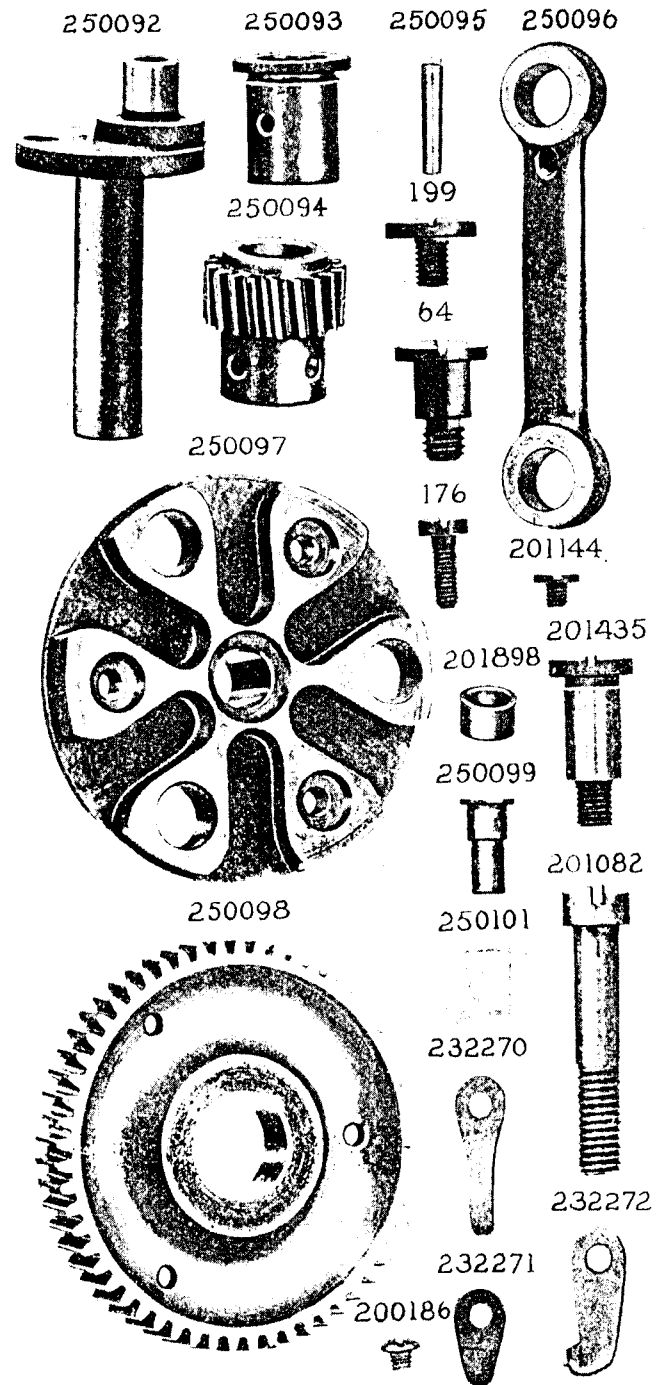




PLATE 13769—FULL SIZE

660 250147 200308 145 250145

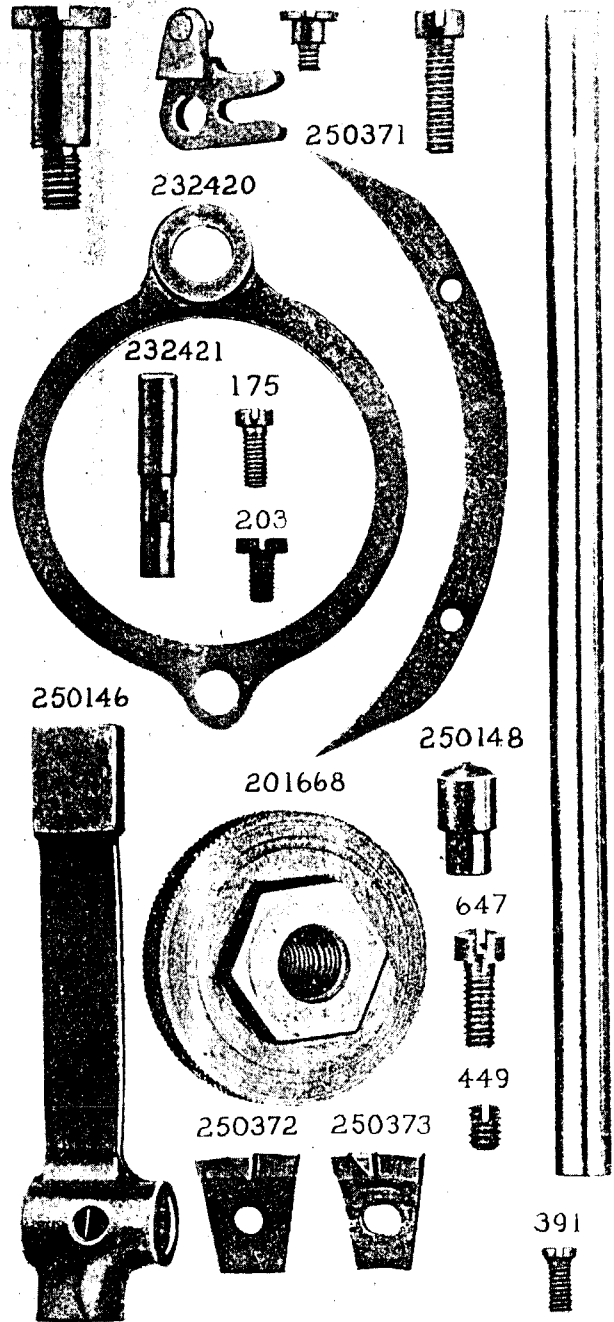


PLATE 13770—ONE-HALF SIZE

250150

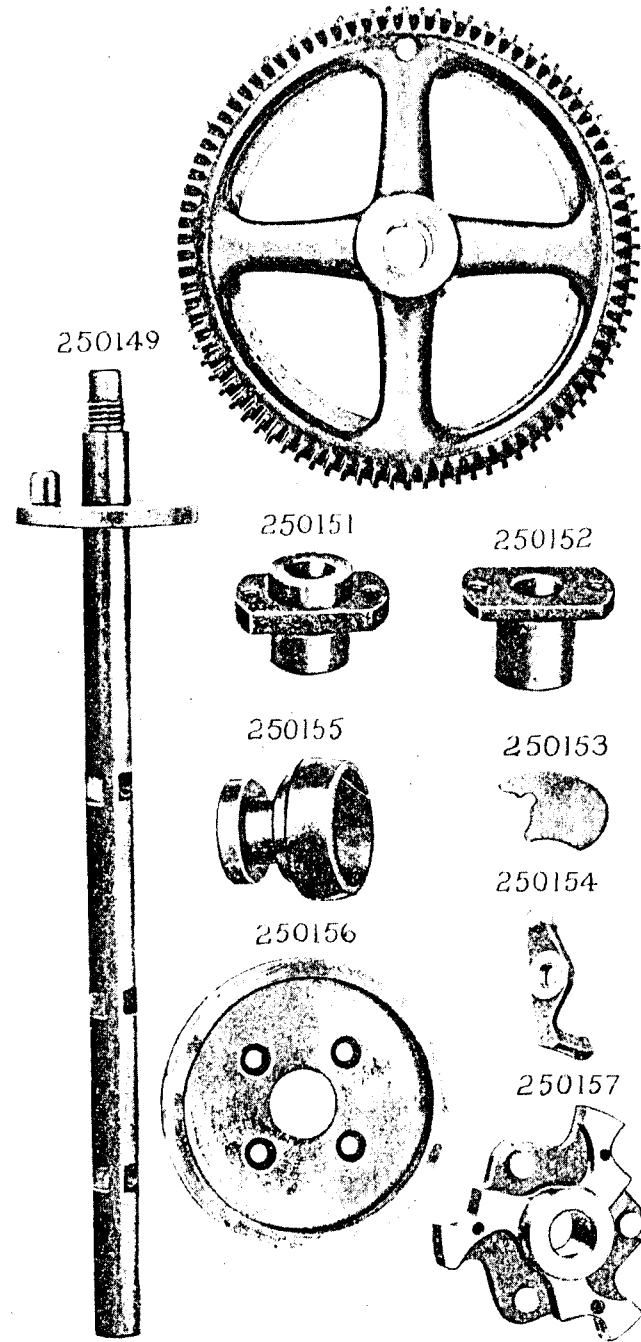


PLATE 13771-FULL SIZE

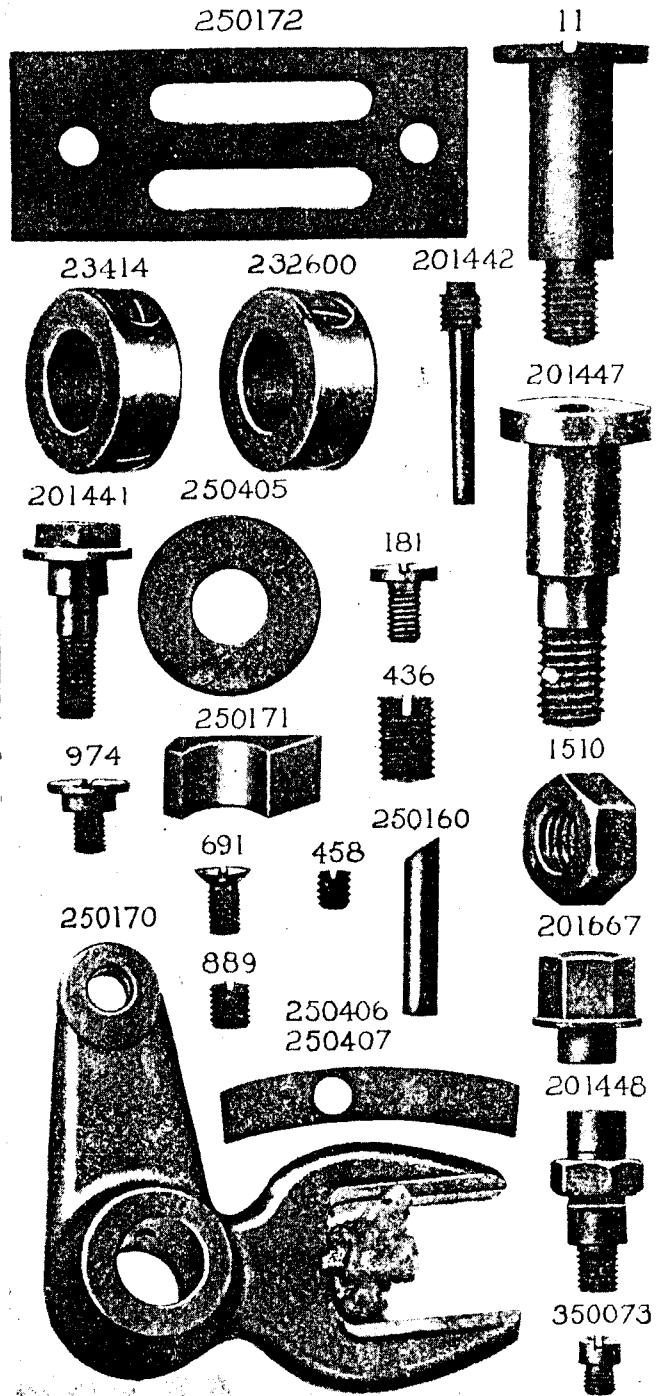


PLATE 13774-FULL SIZE

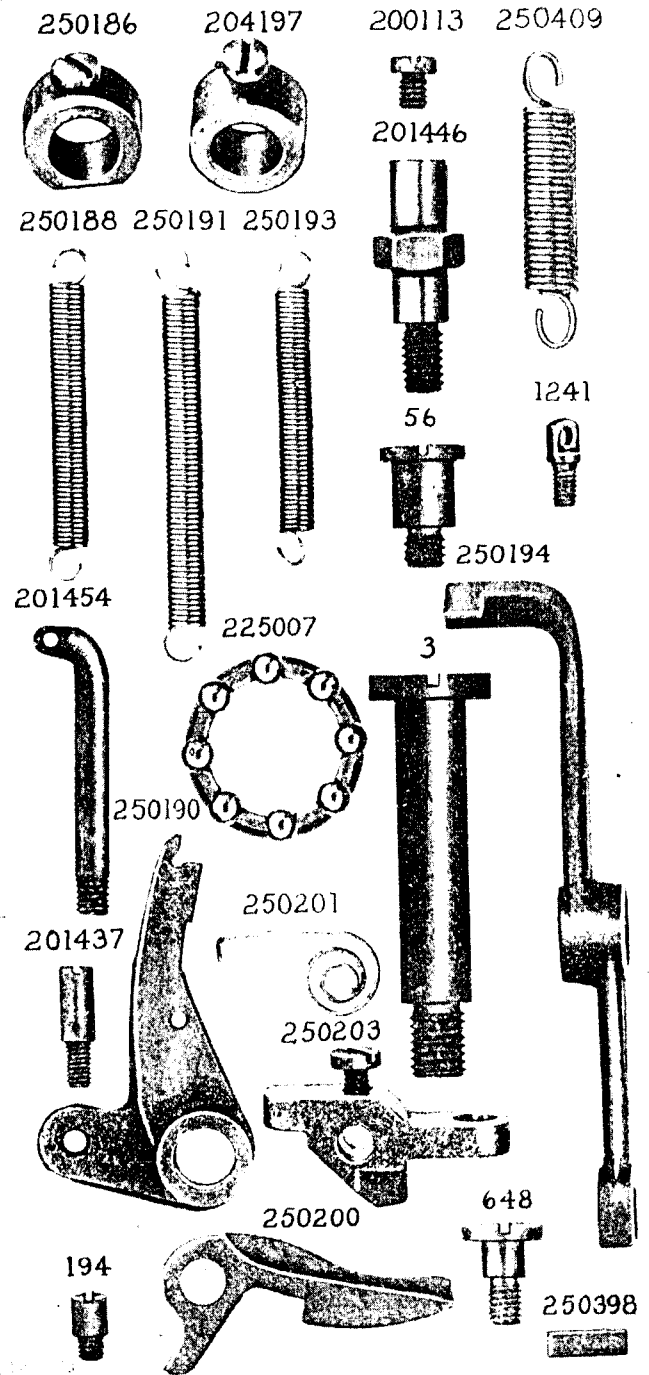


PLATE 13775—ONE-HALF SIZE

250202 250173 250192 250199

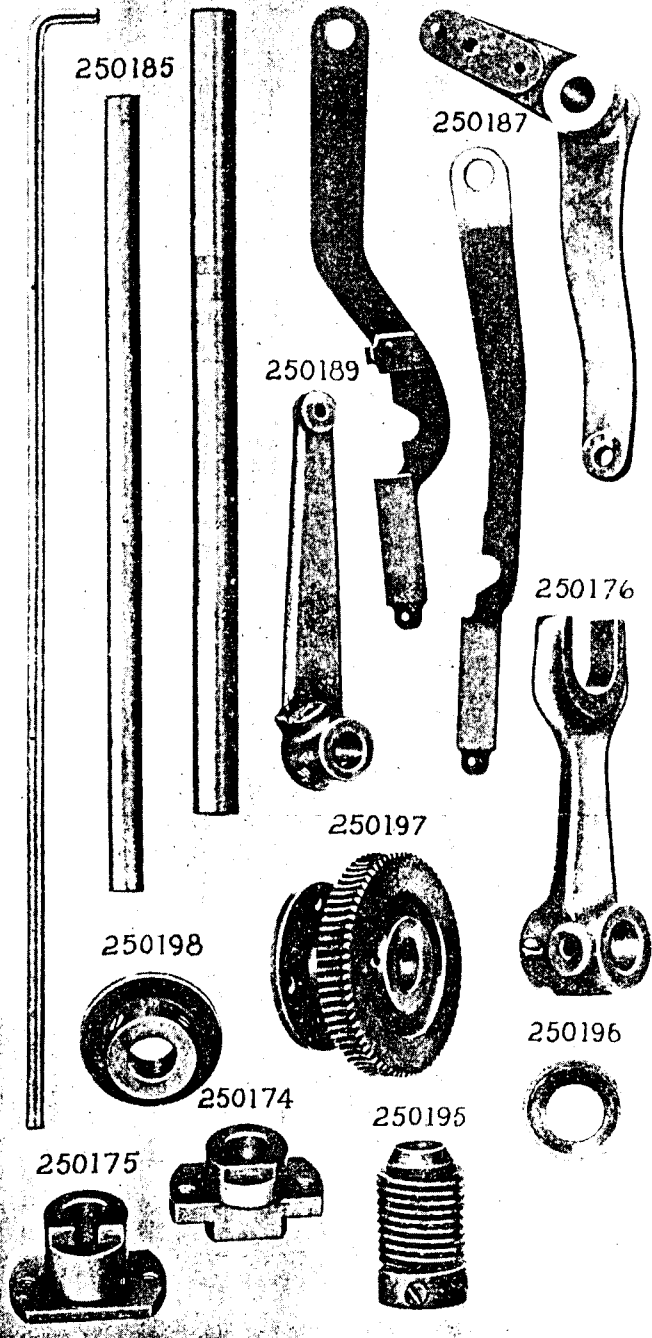


PLATE 13776—FULL SIZE

40043 946 250205 201064 250206

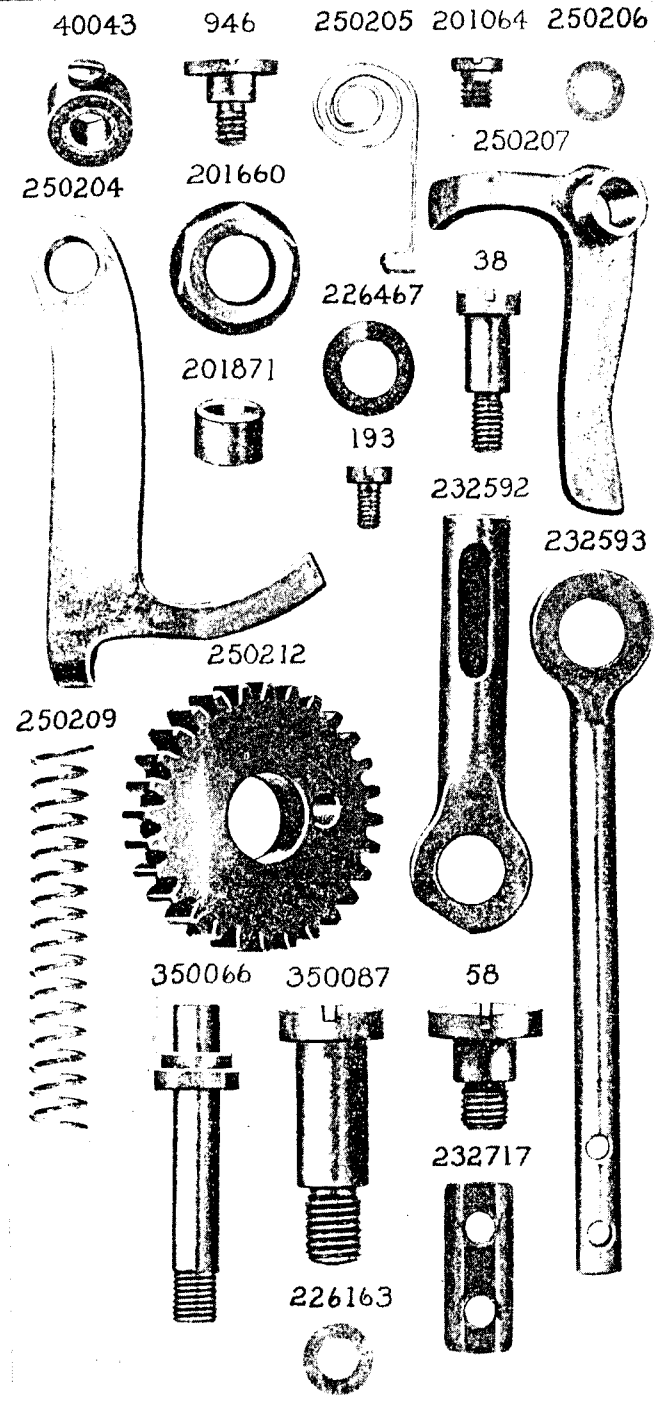


PLATE 13777—ONE-HALF SIZE

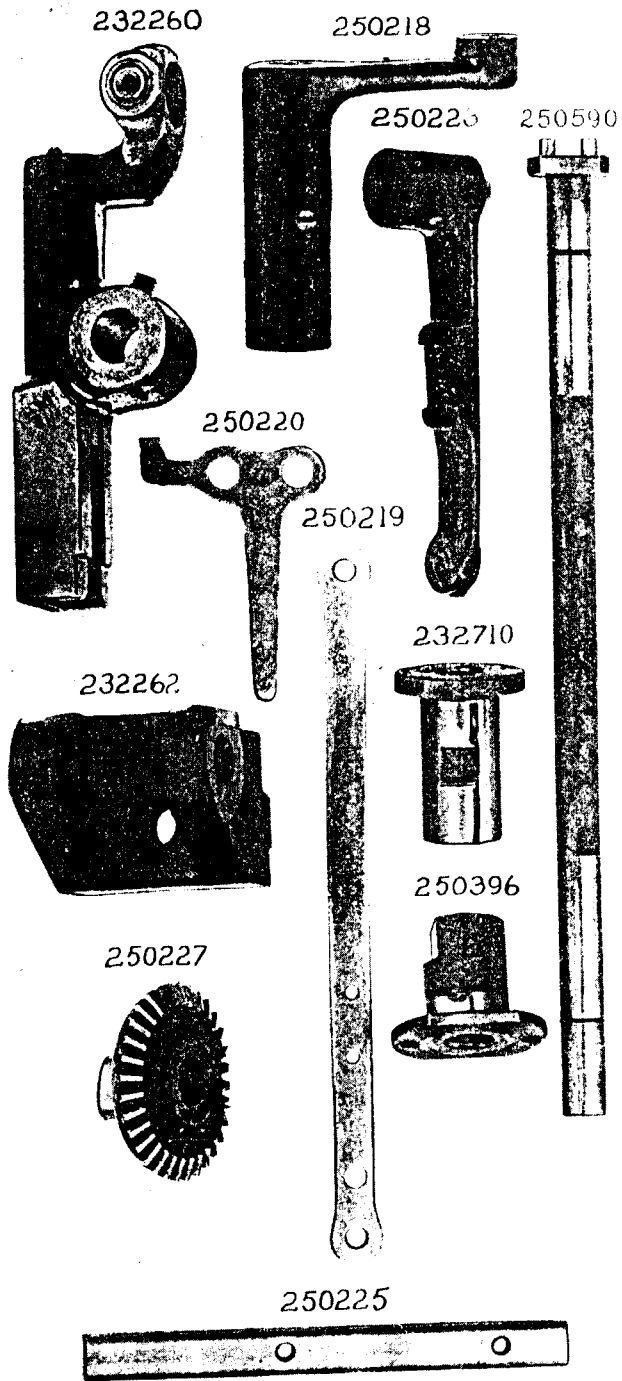


PLATE 13785—FULL SIZE

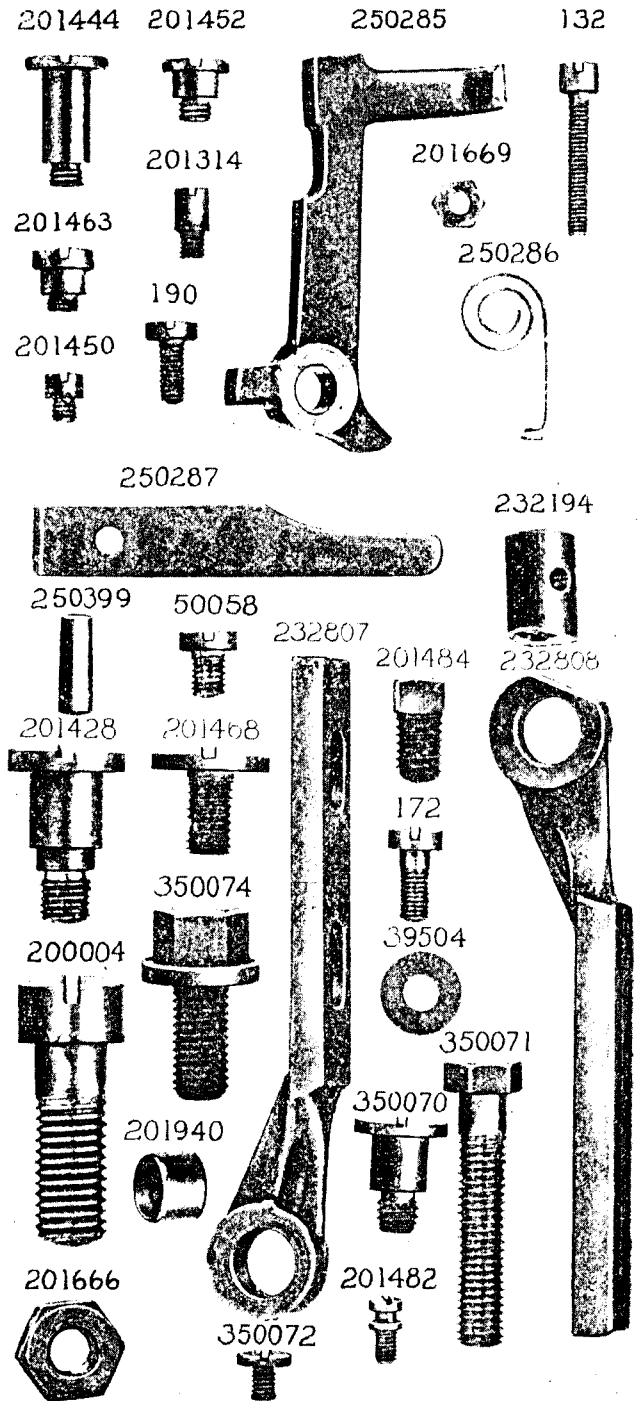


PLATE 13805—FULL SIZE

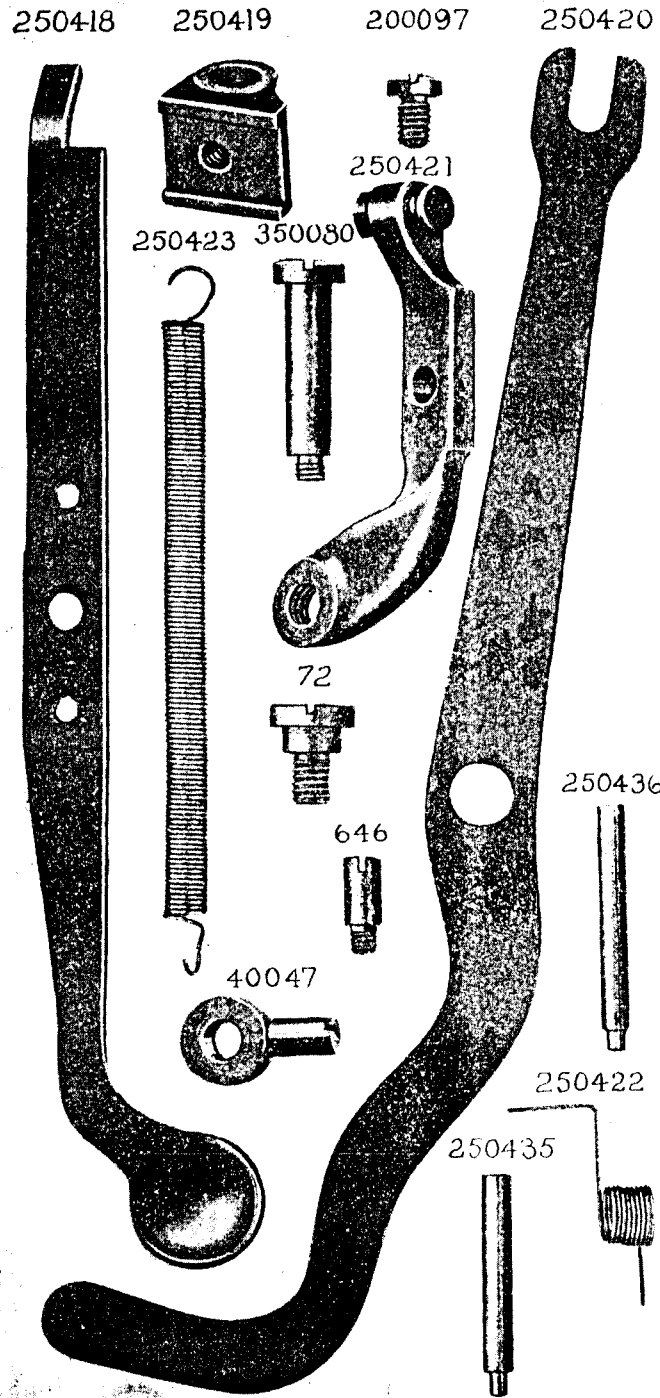


PLATE 13806—FULL SIZE

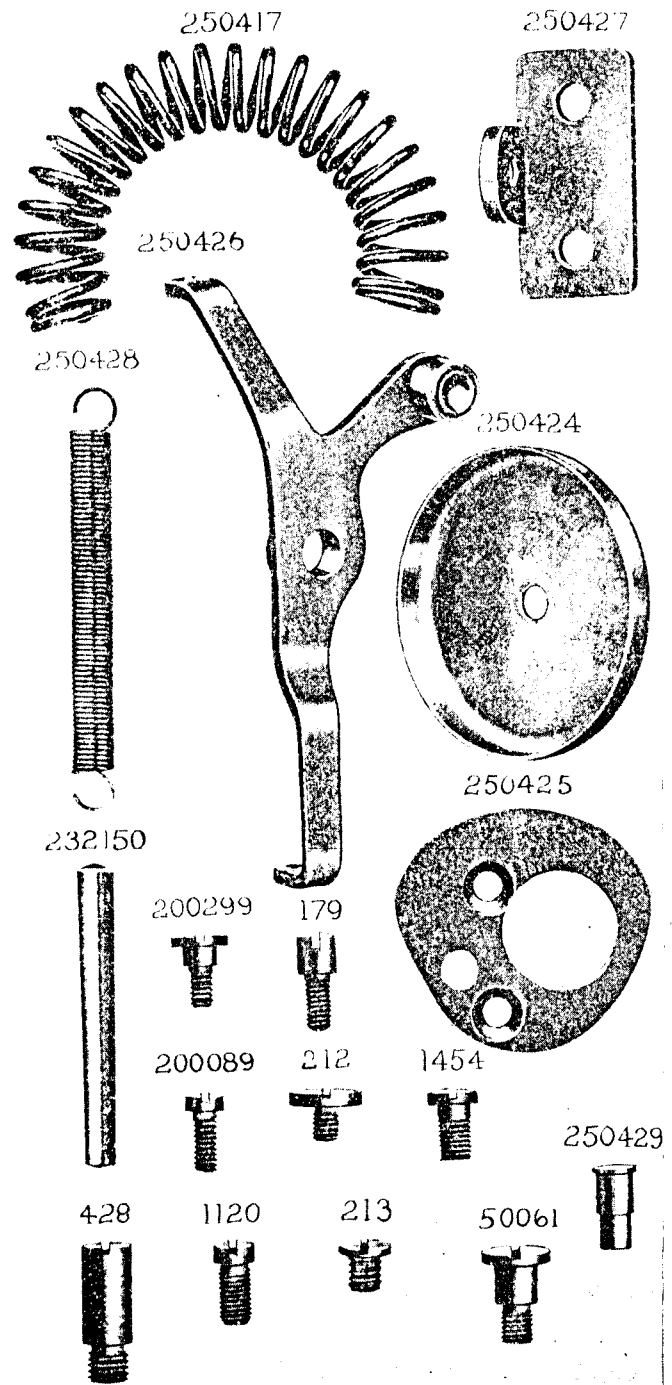


PLATE 13811—FULL SIZE

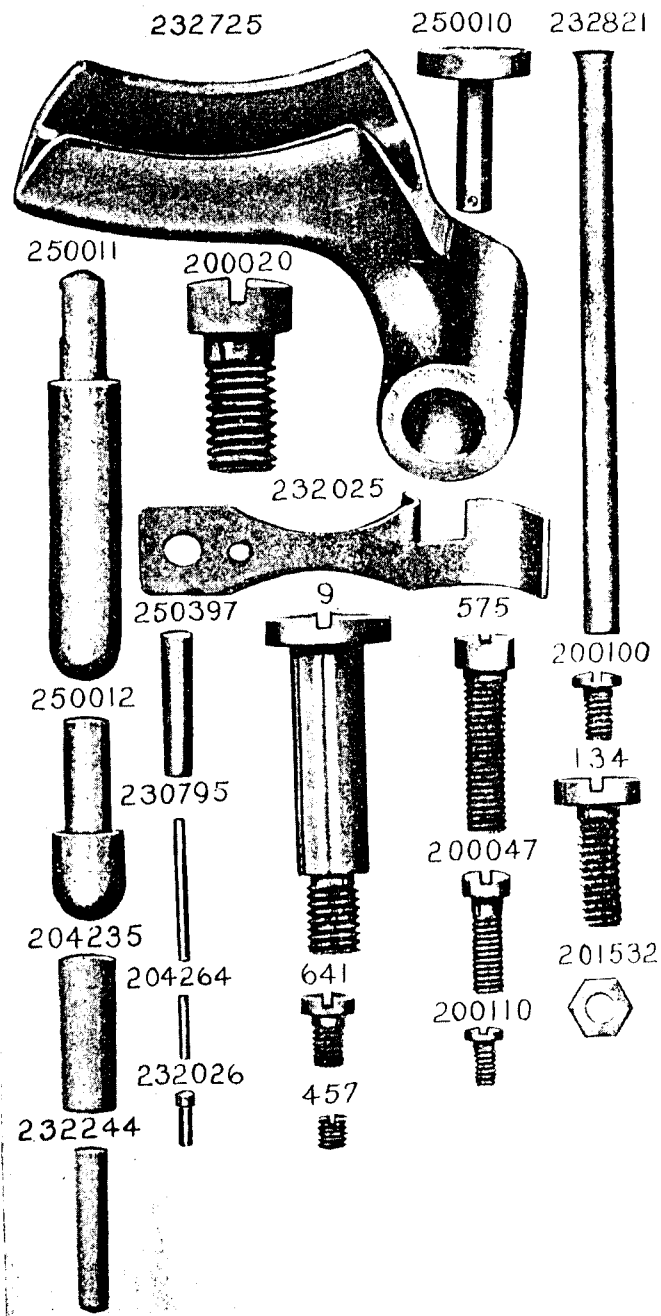


PLATE 13815—ONE-FOURTH SIZE

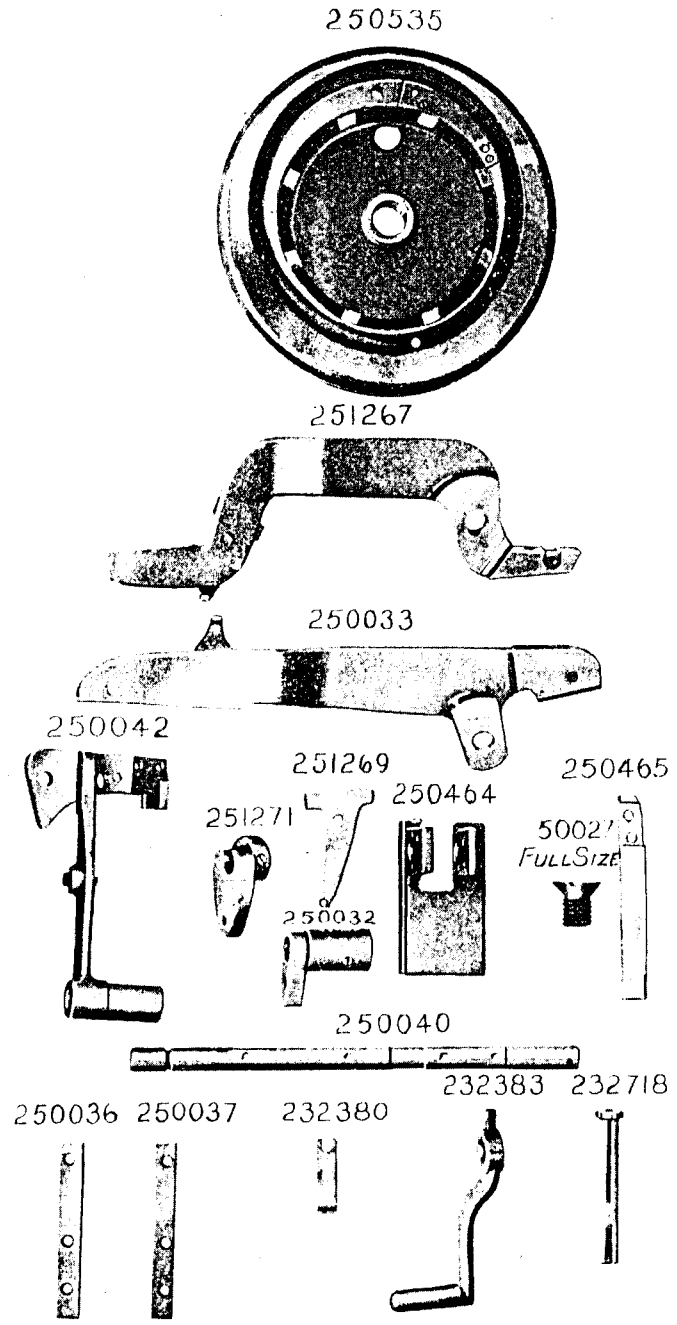
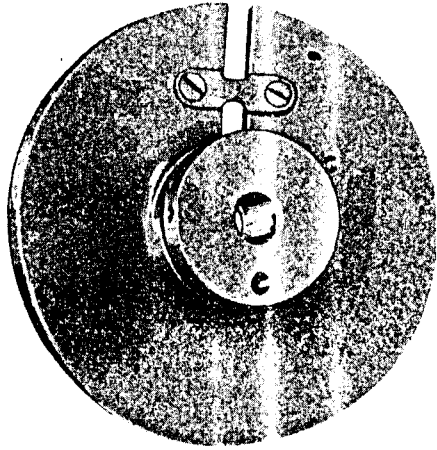
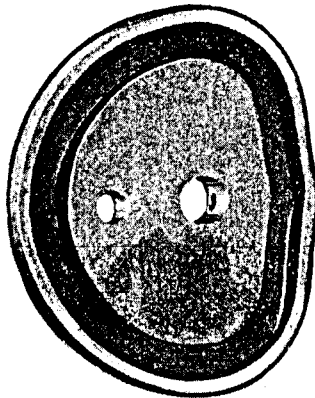


PLATE 13818—ONE-HALF SIZE

250290



250020



250021

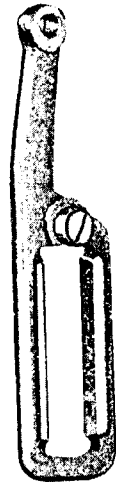
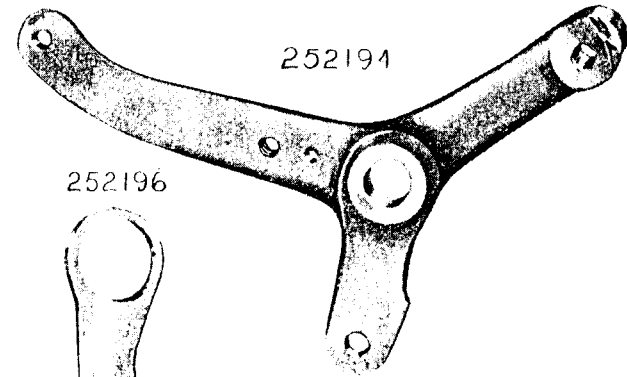
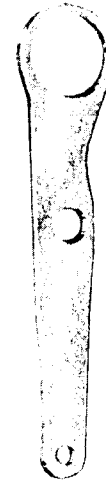


PLATE 13823—ONE-HALF SIZE

252191



252196



250263



PLATE 13825—FULL SIZE

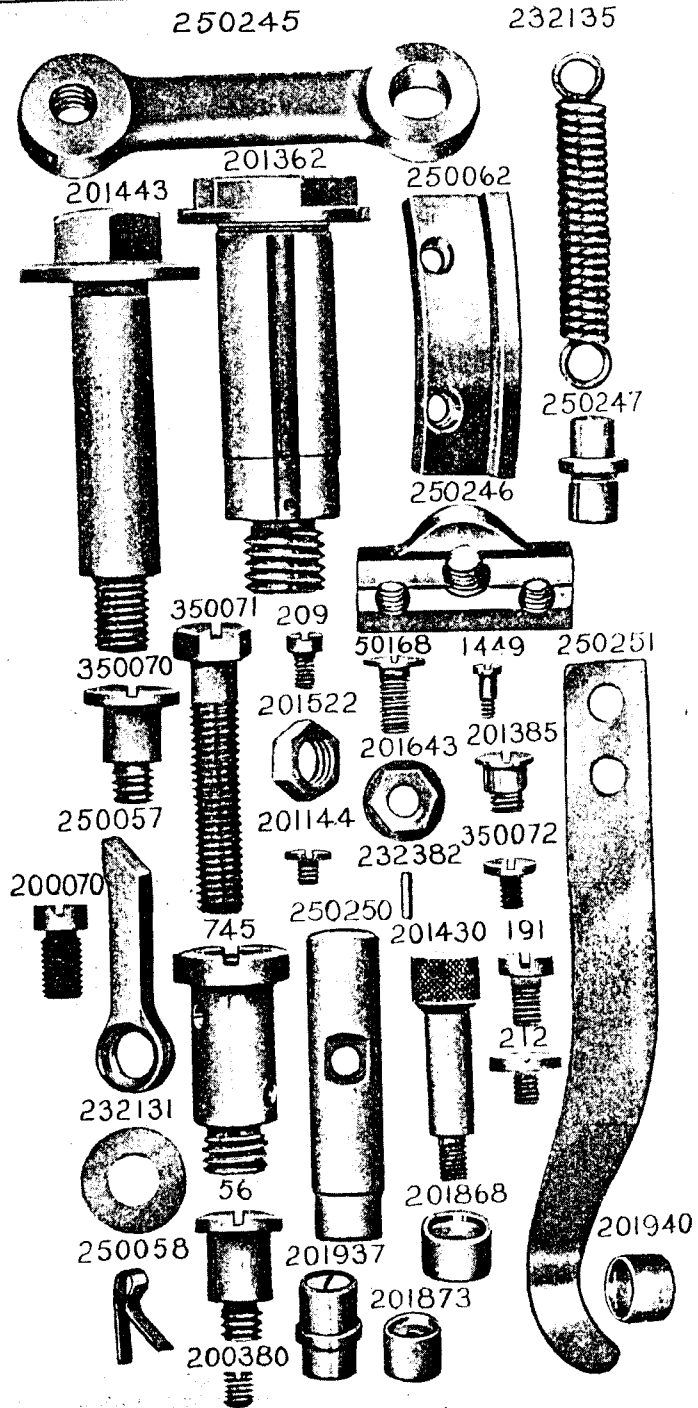


PLATE 13826—ONE-HALF SIZE

232462 250244 250060 250061

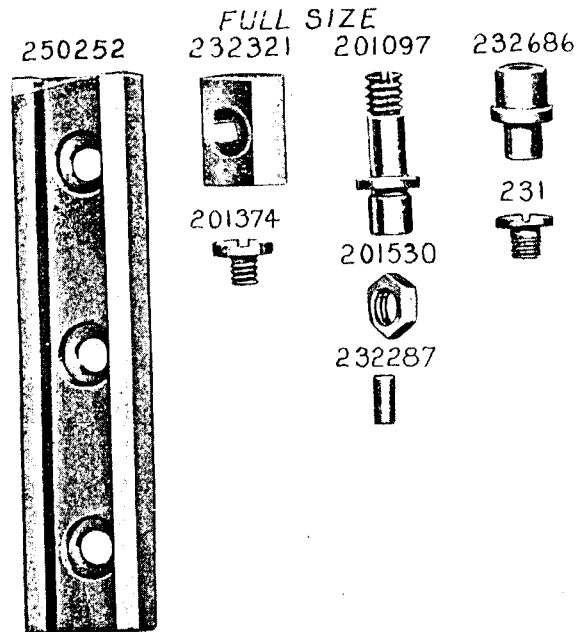
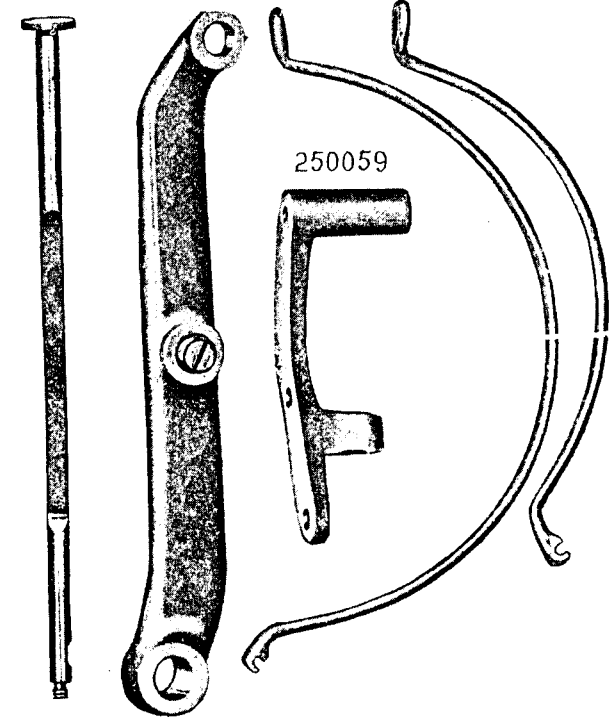
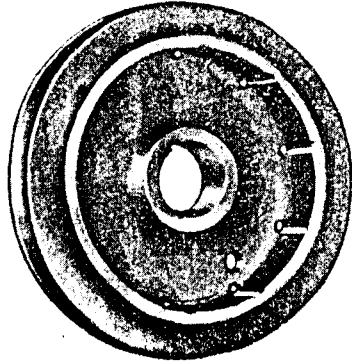


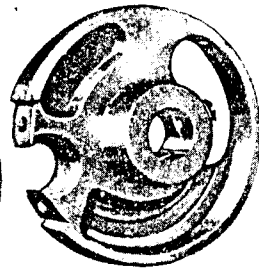


PLATE 13834—ONE-HALF SIZE

250050

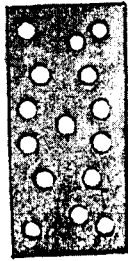


232110



— FULL SIZE —

232112



40025



200363

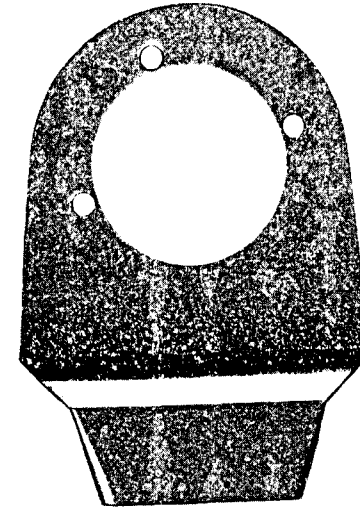


232113

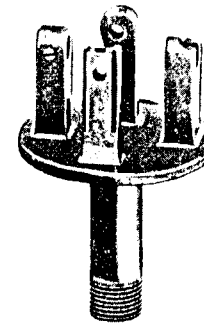


PLATE 13842—ONE-HALF SIZE

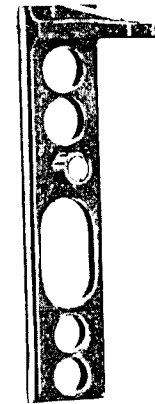
250082



250081



250075



250069

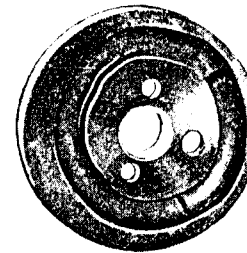


PLATE 13846—FULL SIZE

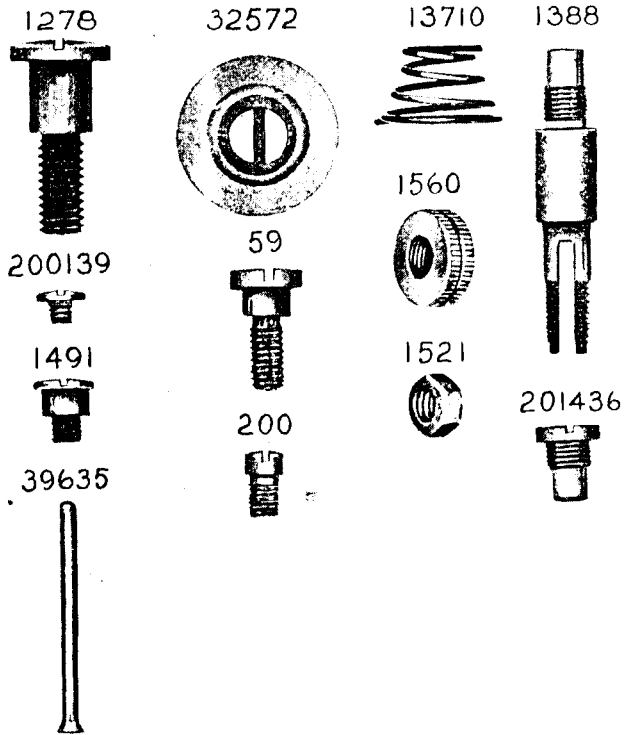


PLATE 13847—FULL SIZE

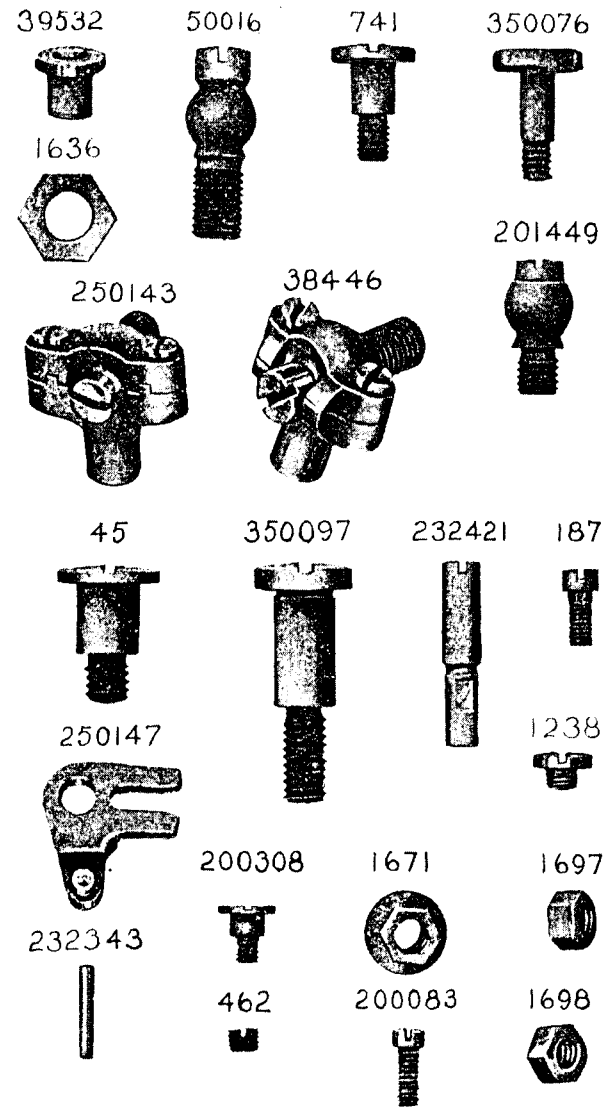
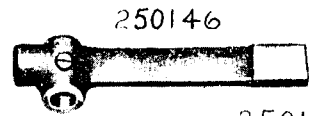
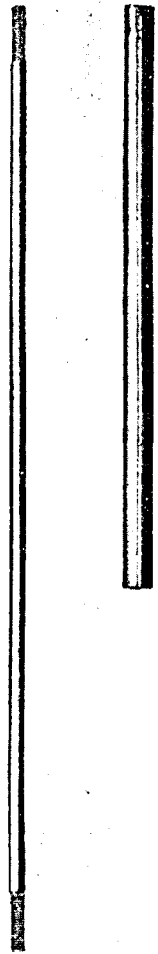


PLATE 13848—ONE-HALF SIZE

250142 250145



250144



250140



250141



232420

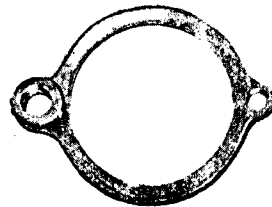
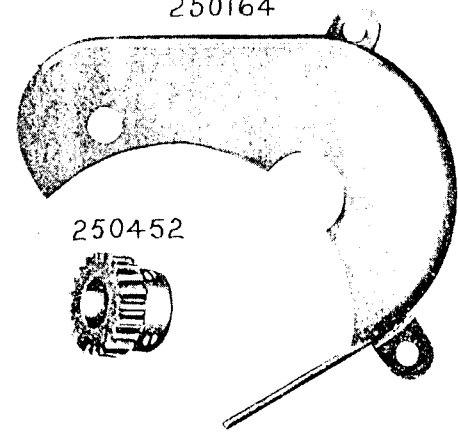


PLATE 13852—ONE-HALF SIZE

250173



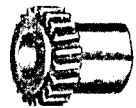
250164



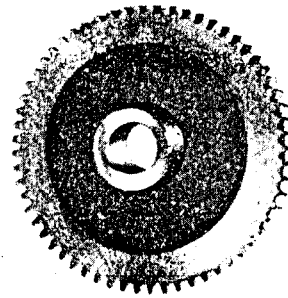
250452



250163



250534



250174



250167



250175

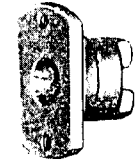


PLATE 13854—FULL SIZE

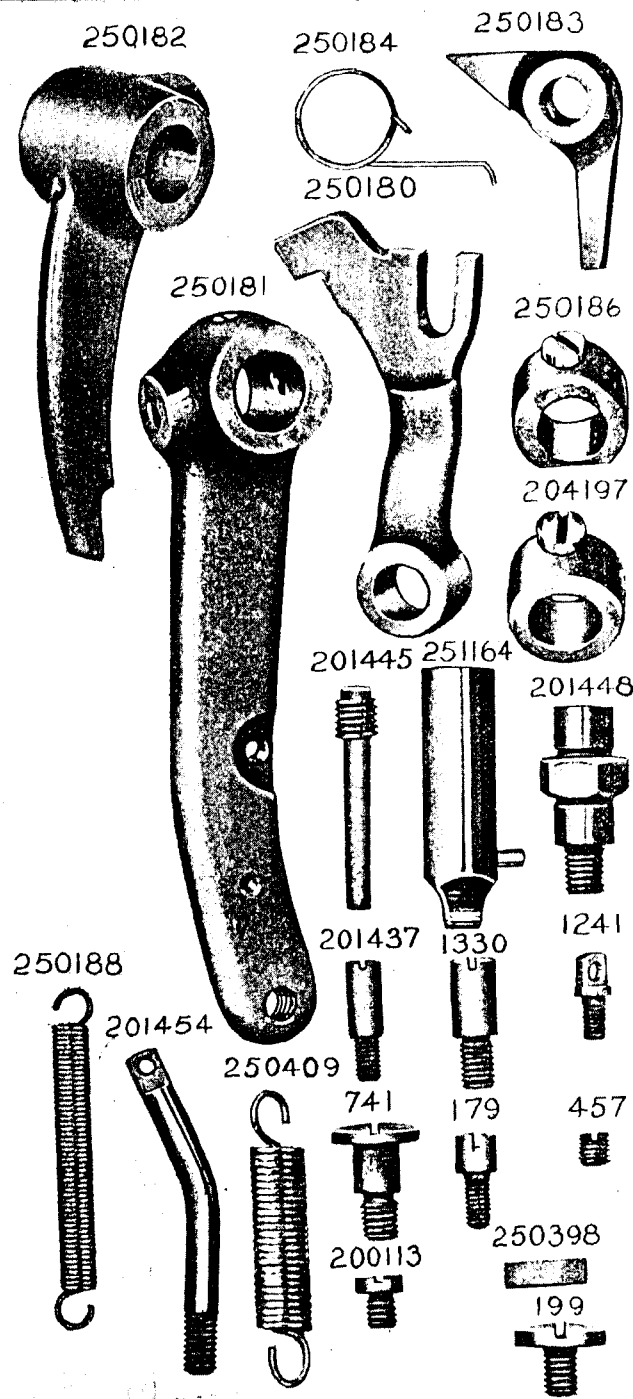


PLATE 13856—FULL SIZE

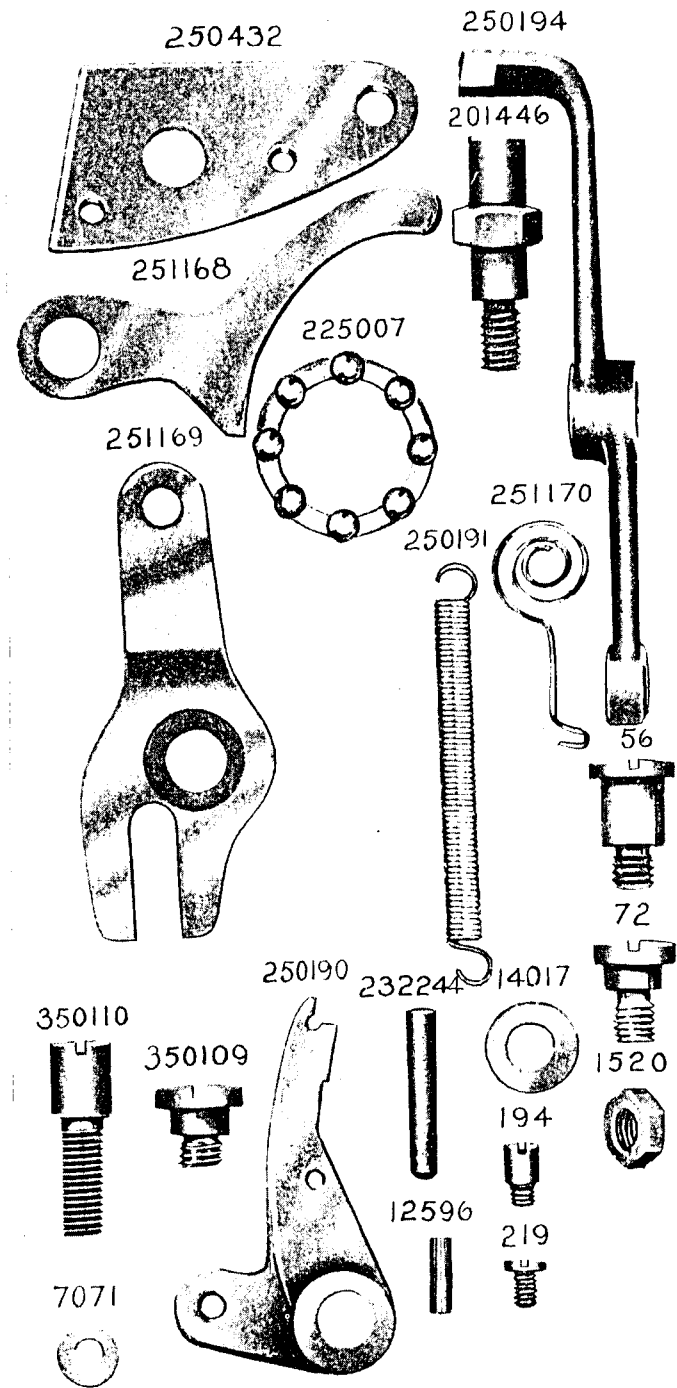
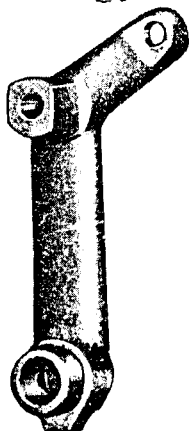


PLATE 13861—ONE-HALF SIZE

250394



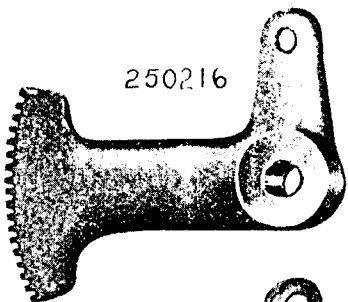
250215



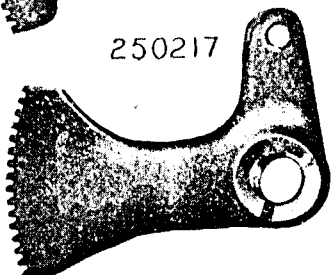
232591



250216



250217



232599



232597

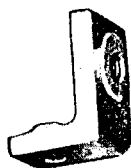


PLATE 13864—FULL SIZE

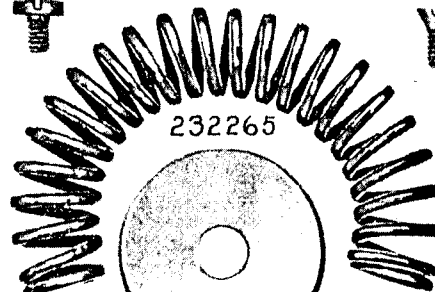
250404



217



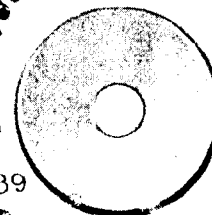
250417



200577



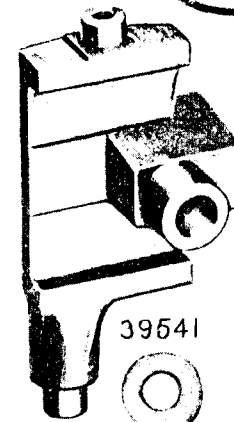
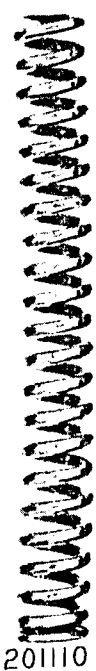
232265



250539

250222

250416



201084



39541

201628



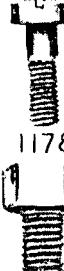
250224

232263

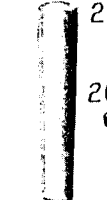
200004



157



40025



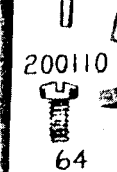
232116



201110



202619



200110



1178



64



200352



250221



350073



200096



453



PLATE 13865—ONE-FOURTH SIZE

250402 250408 120346 232486 250412

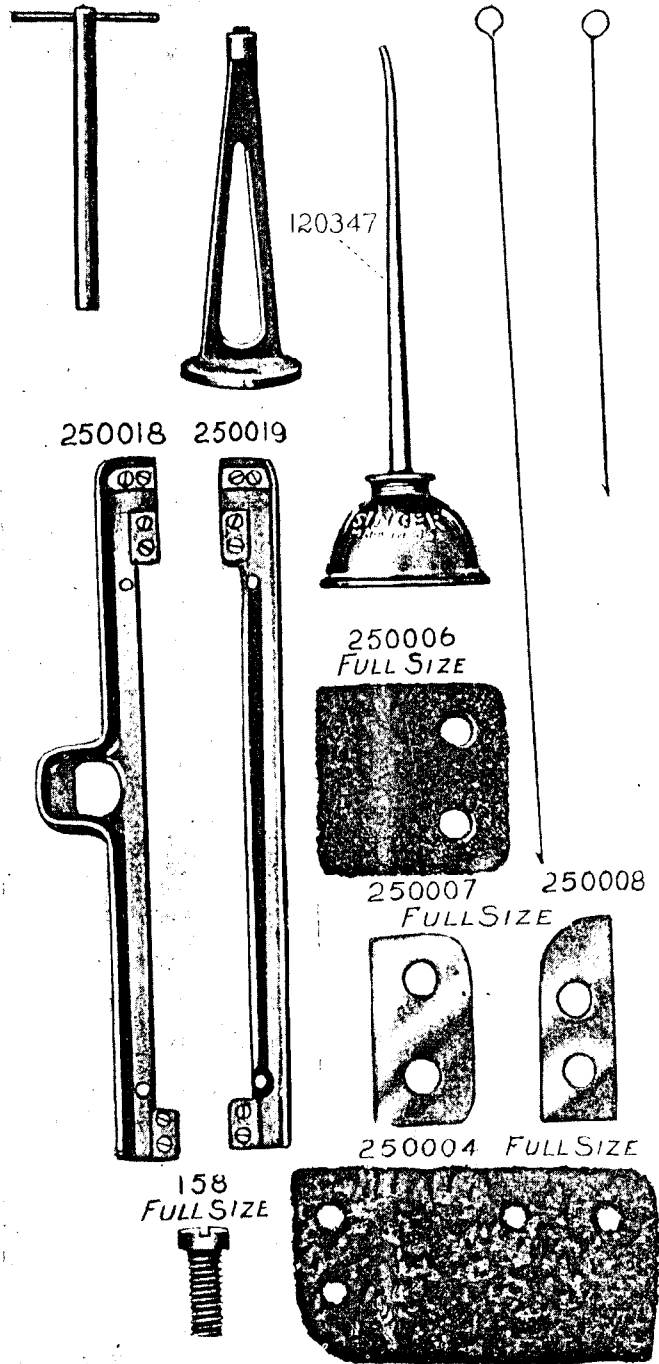


PLATE 13866—ONE-HALF SIZE

11831 225498 250522 232900

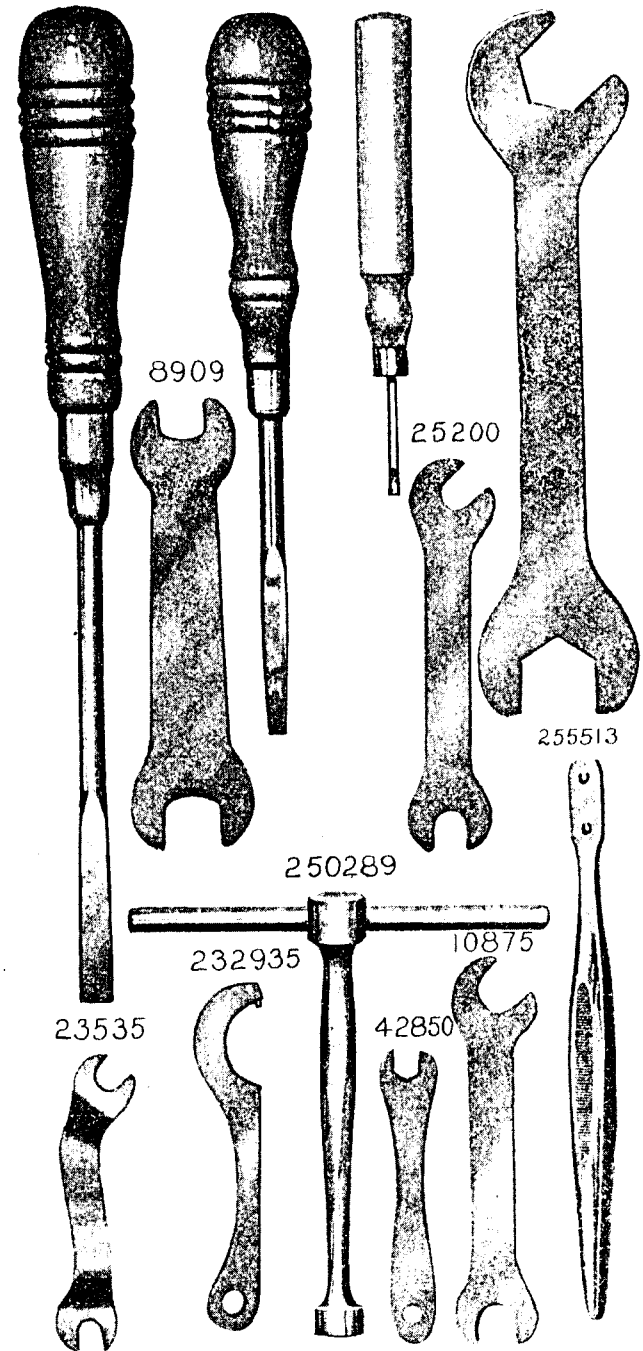


PLATE 13869—ONE-HALF SIZE

228584



228586



228569



228595



228593



228579



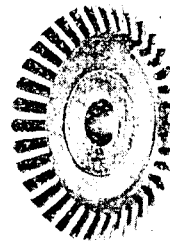
18897



228580



18898

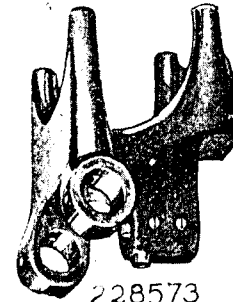


228571

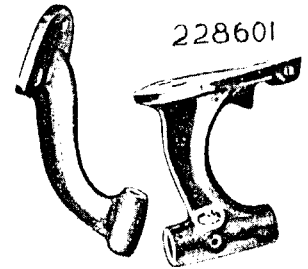


PLATE 13870—ONE-SIXTH SIZE

228574

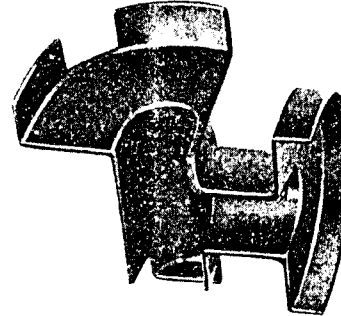


228583

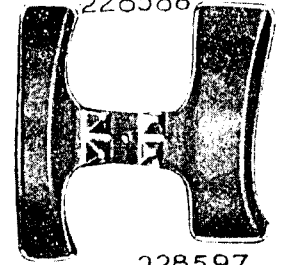


228601

228573

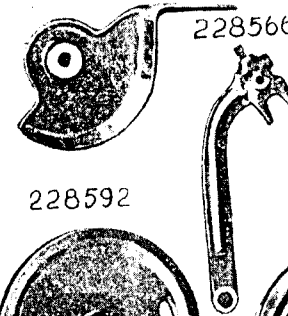


228588

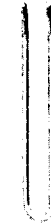


228597

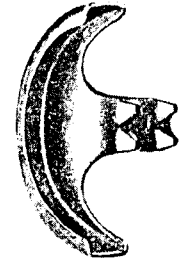
228582



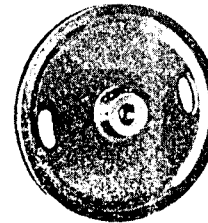
228565



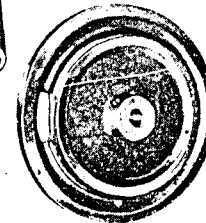
228566



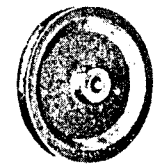
228592



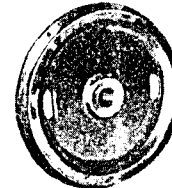
228568



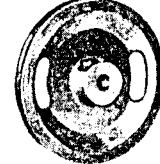
228581



228591



228572



228590

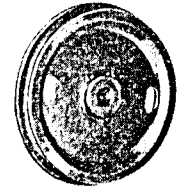


PLATE 13871—FULL SIZE

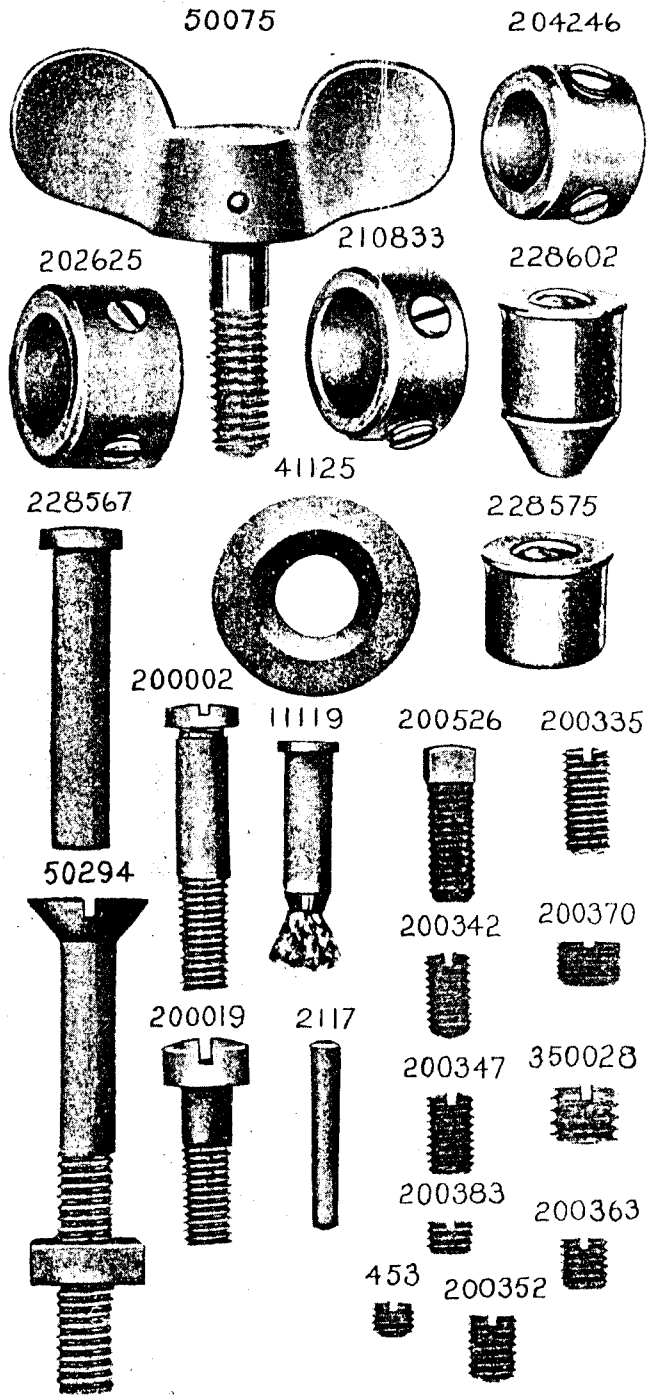


PLATE 13874—ONE-HALF SIZE

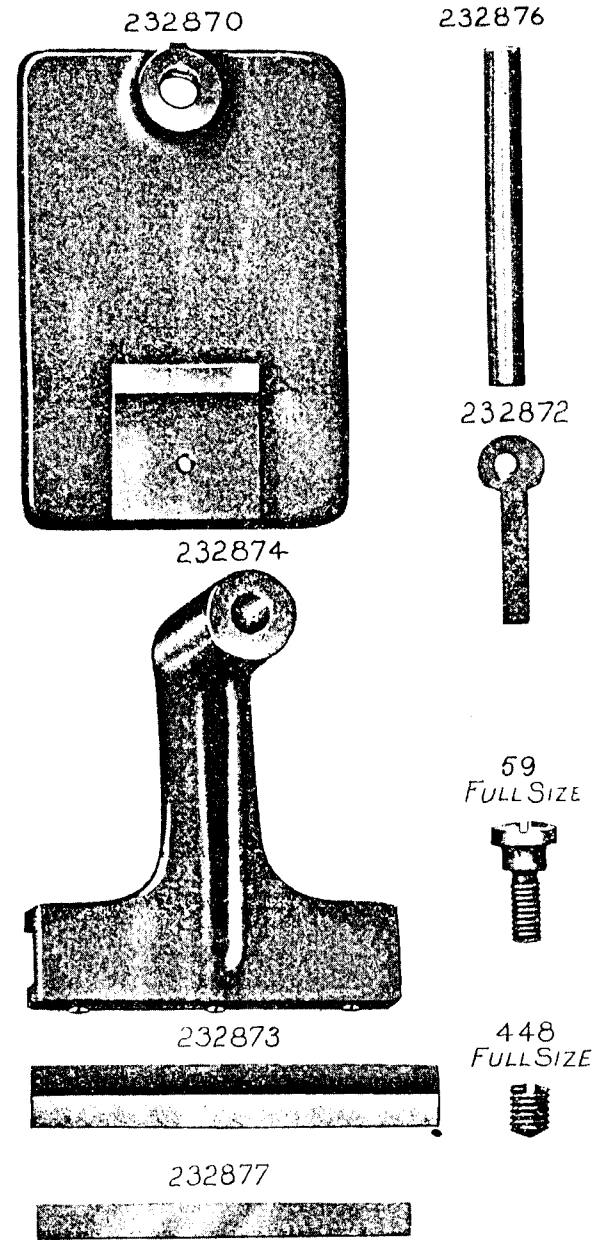




PLATE 13875—FULL SIZE

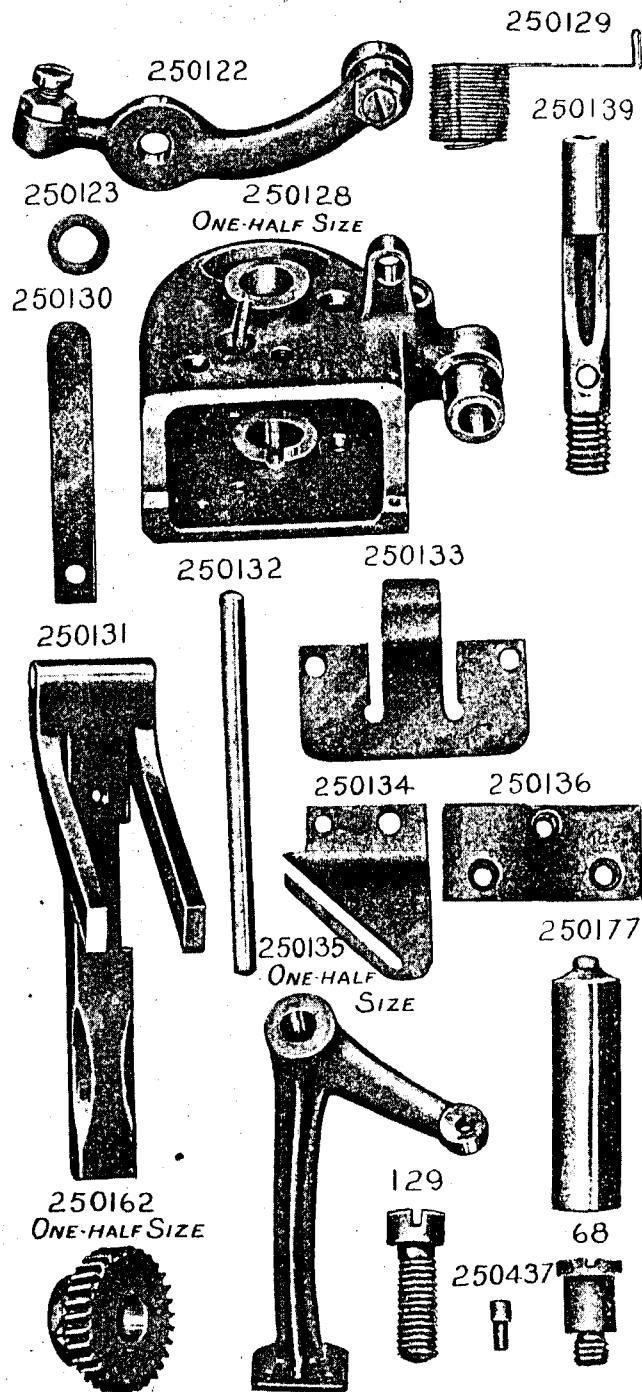


PLATE 13879—FULL SIZE

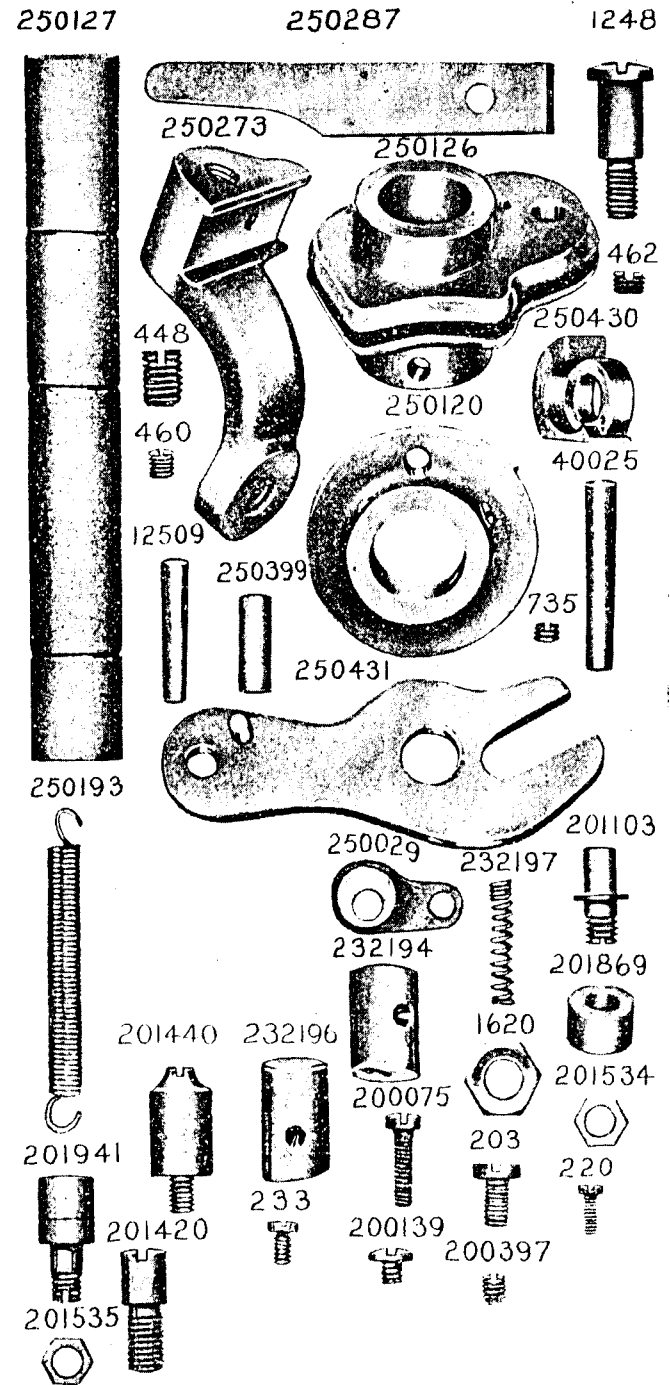


PLATE 13885—FULL SIZE

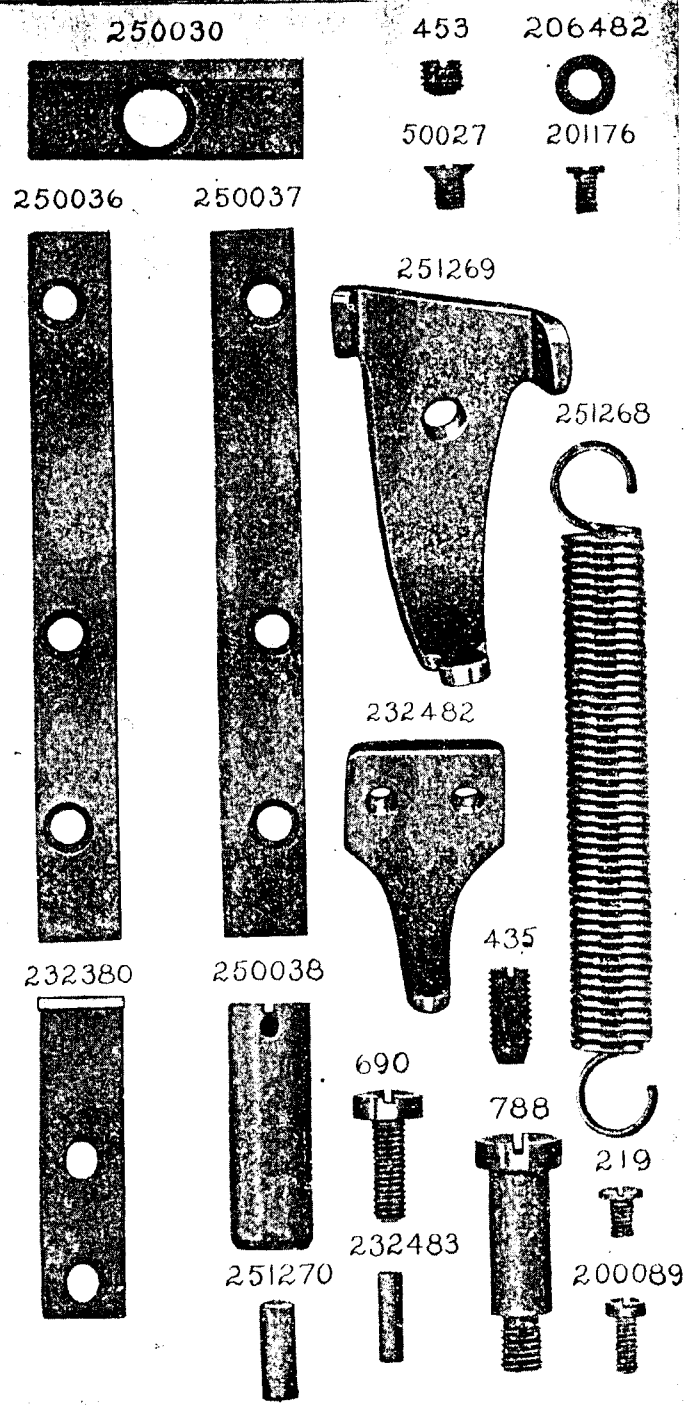


PLATE 13887—FULL SIZE

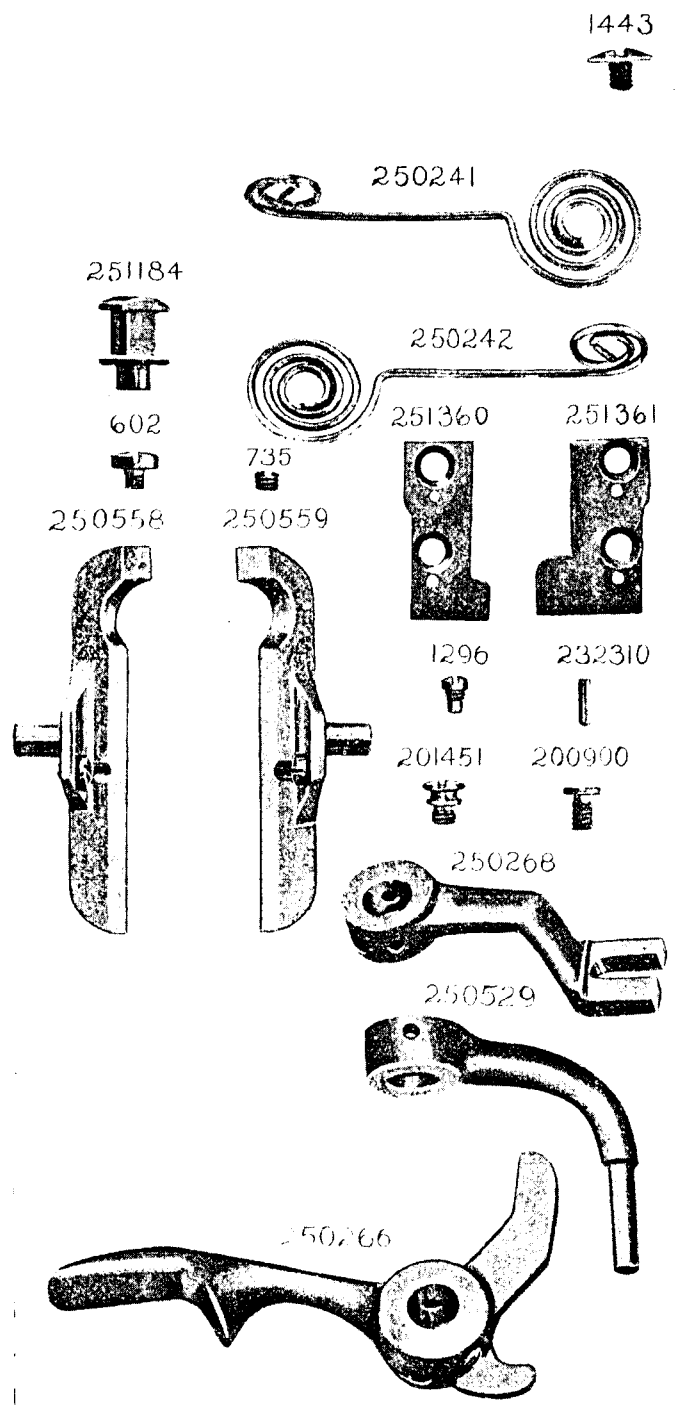


PLATE 13891—FULL SIZE

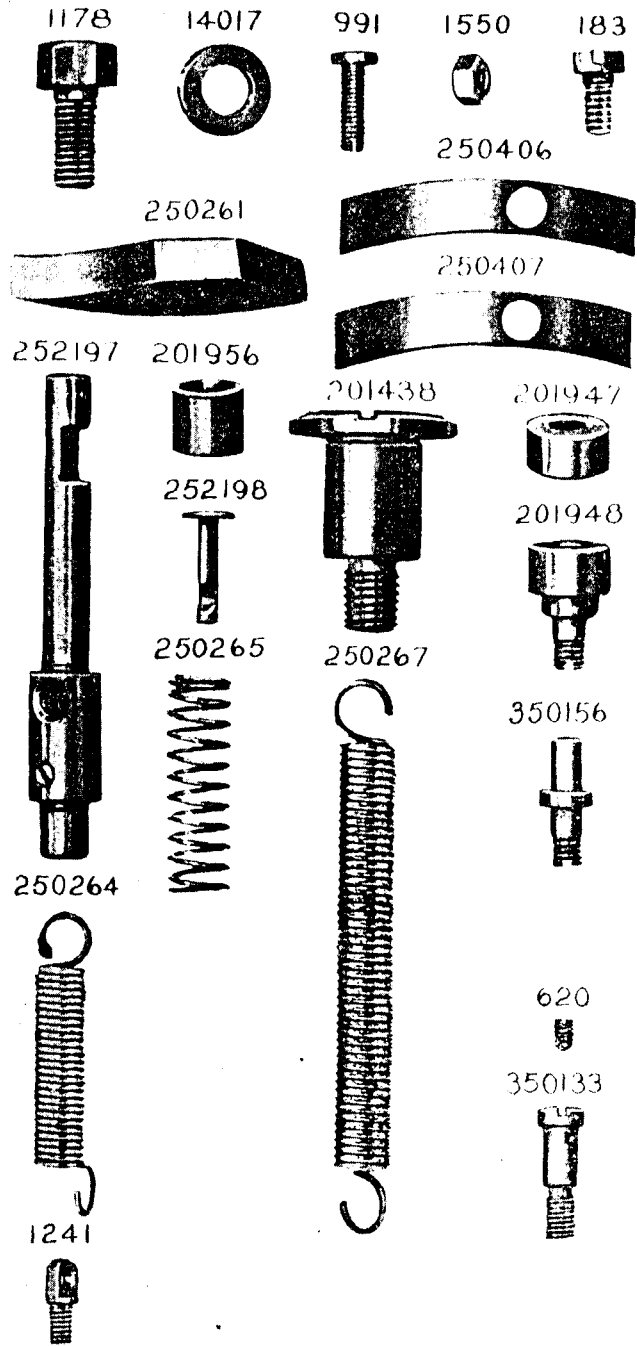


PLATE 13895—FULL SIZE

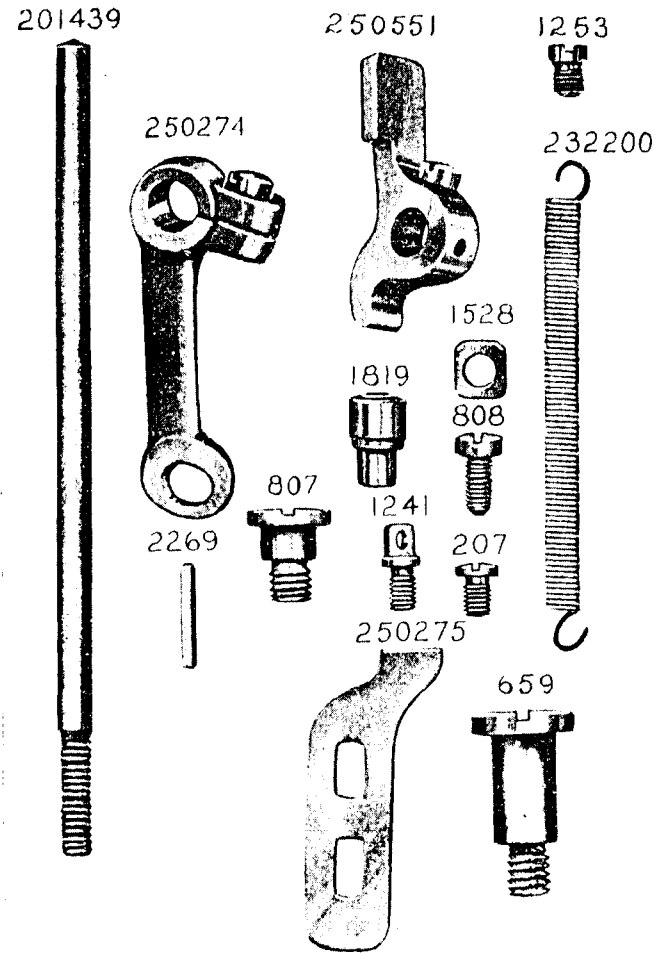


PLATE 13899—FULL SIZE

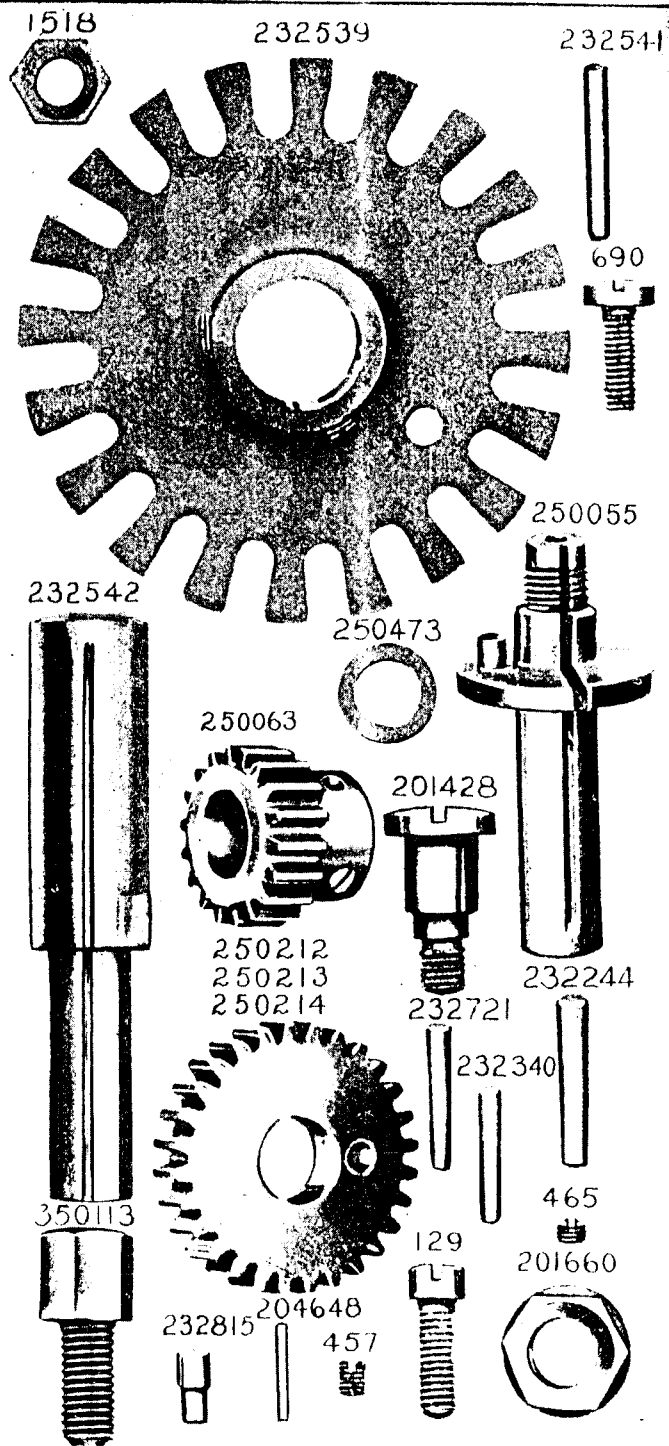


PLATE 13900—FULL SIZE

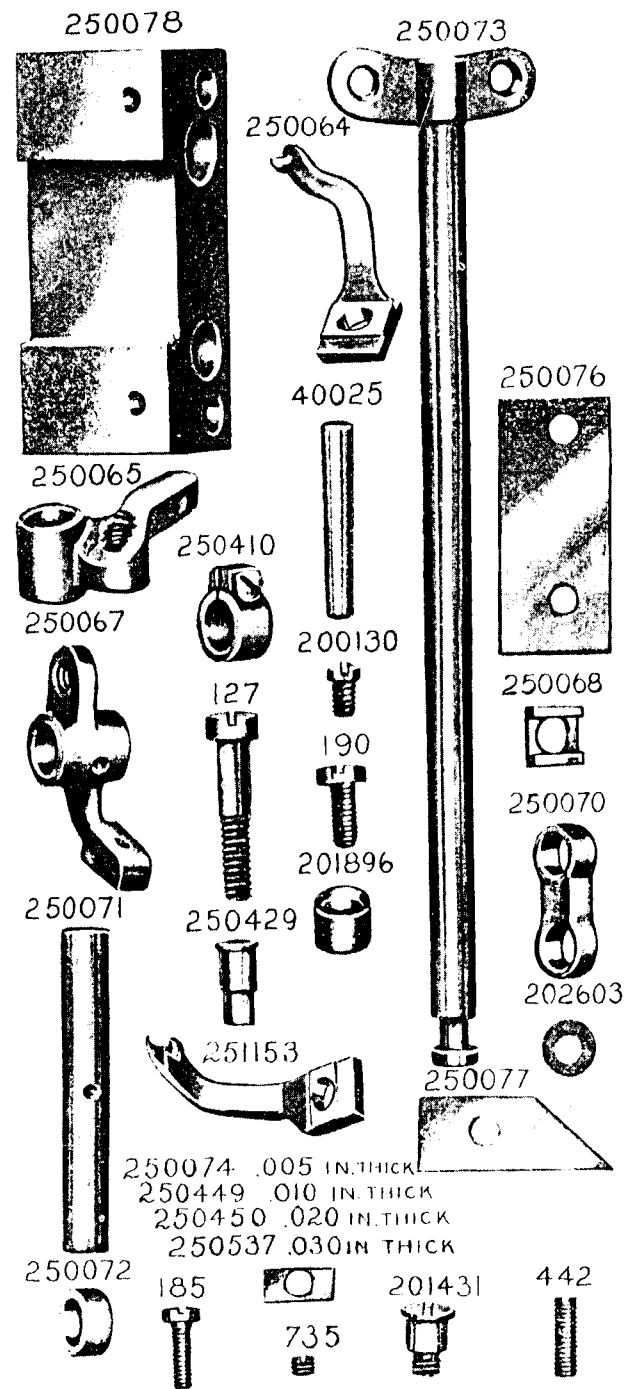


PLATE 13901—FULL SIZE

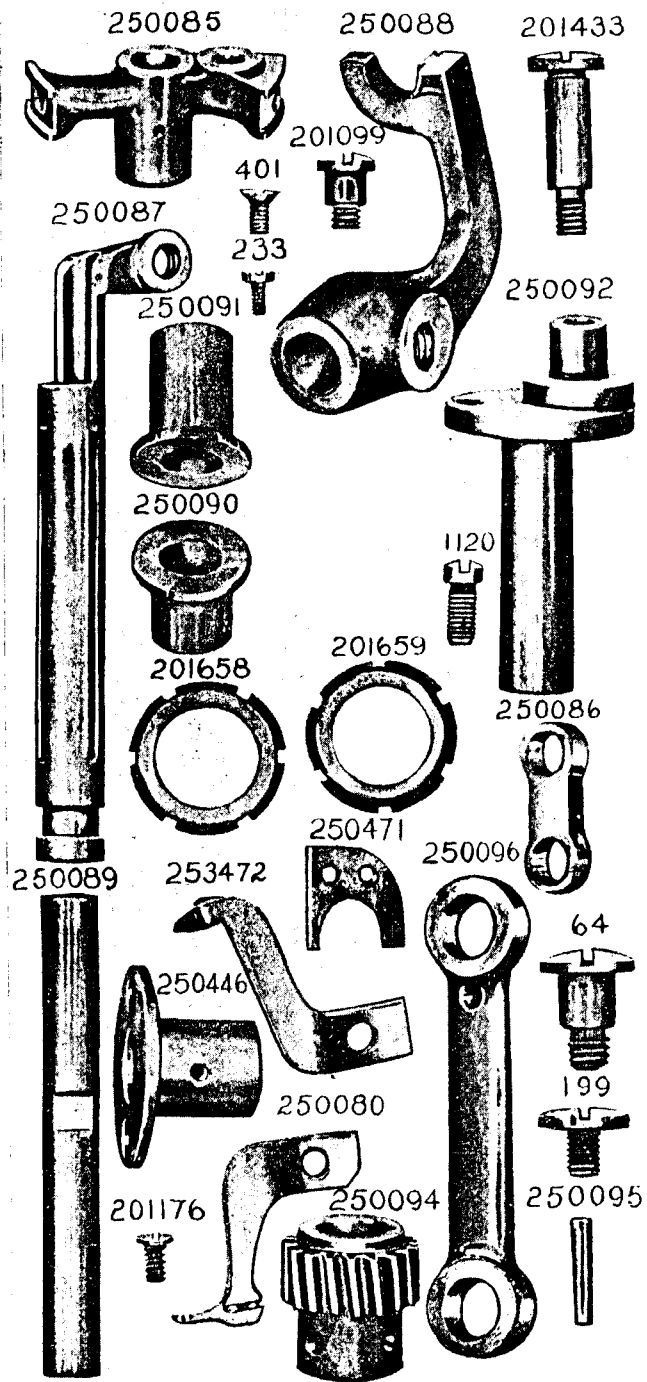


PLATE 13903—FULL SIZE

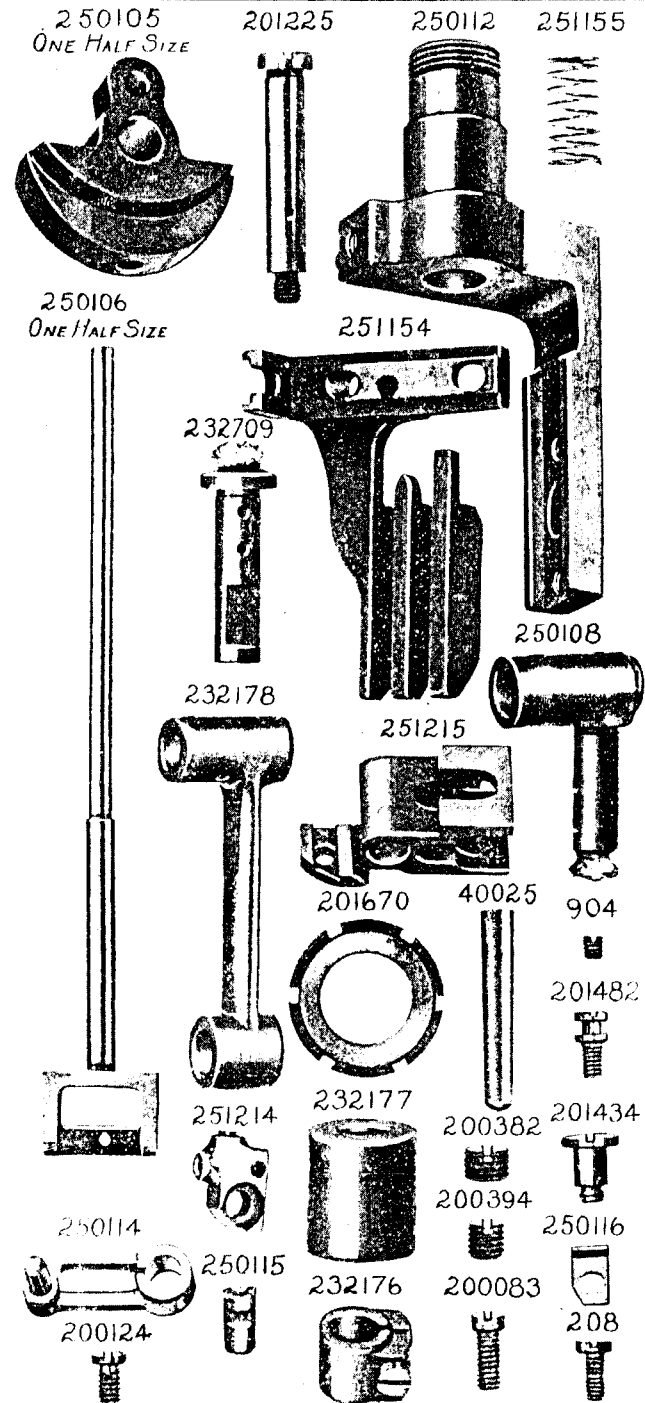
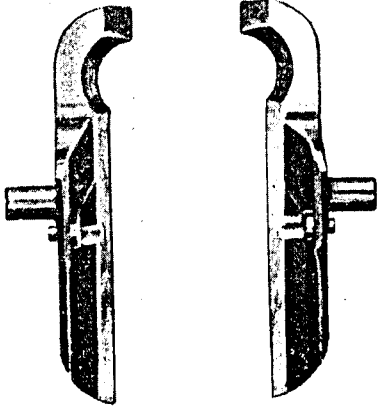


PLATE 13912—FULL SIZE

250553

250555



1296



250512



250513

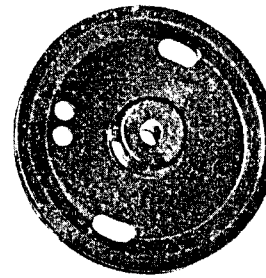


229

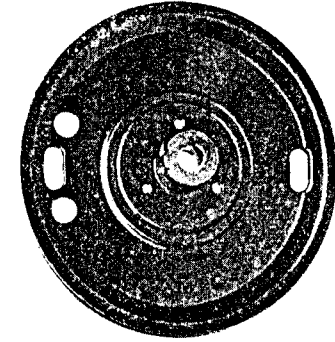


PLATE 13926—ONE-FOURTH SIZE

228618



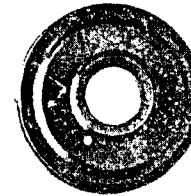
228624



228625



228621



228622



228623



228620



228619



228607



228626



PLATE 13932—ONE-HALF SIZE

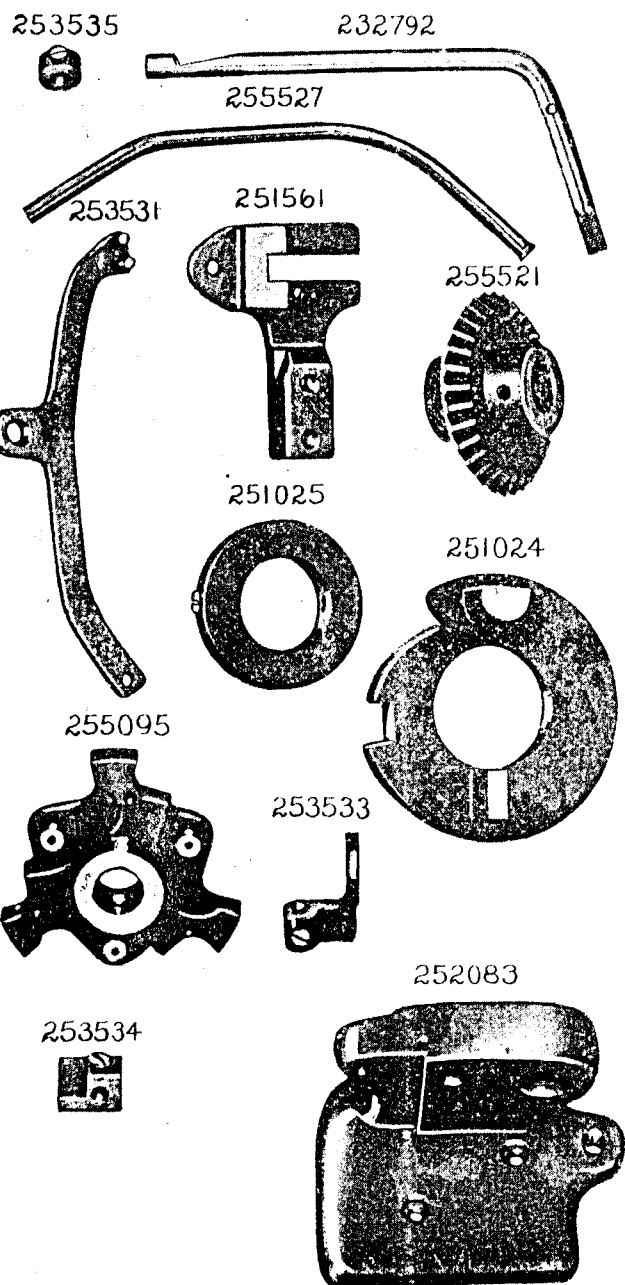


PLATE 13933—ONE-FOURTH SIZE

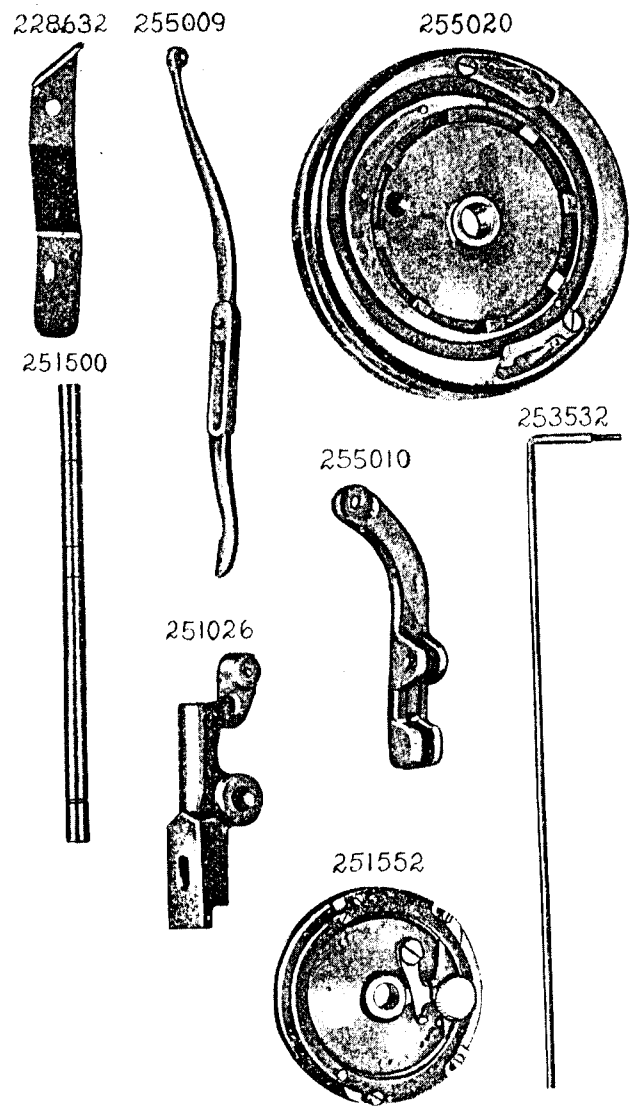


PLATE 13934—FULL SIZE

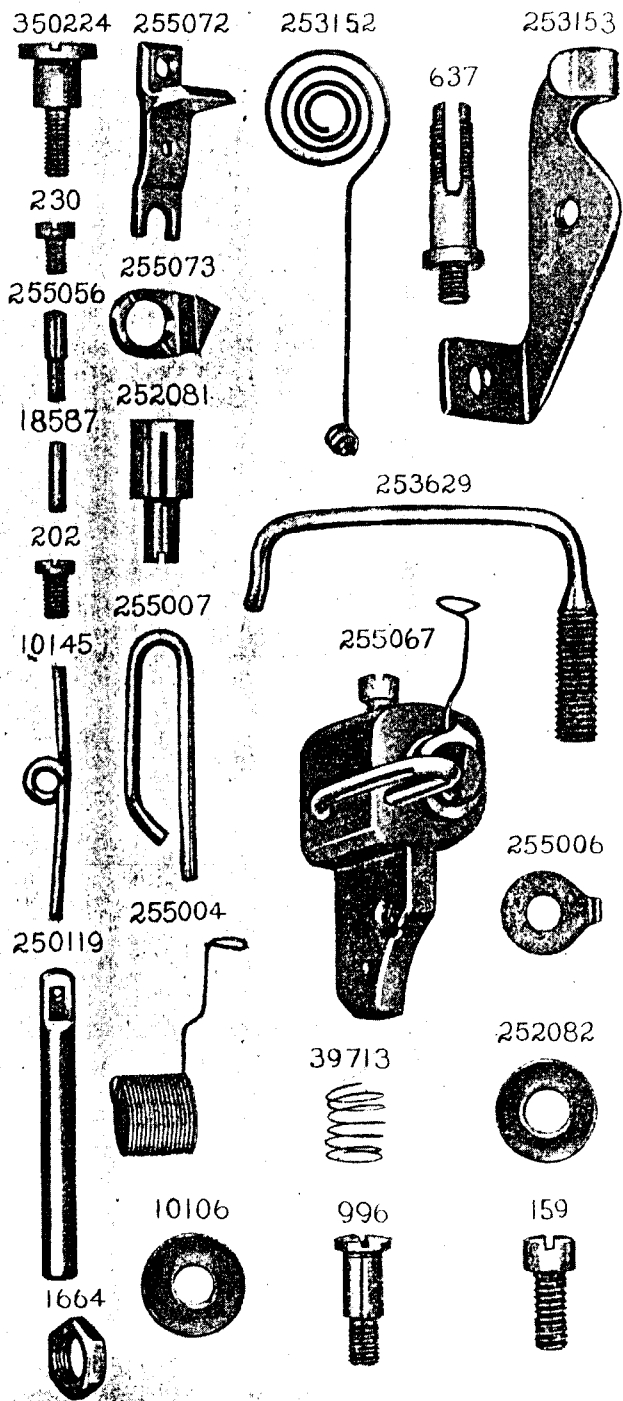


PLATE 13935—ONE-HALF SIZE

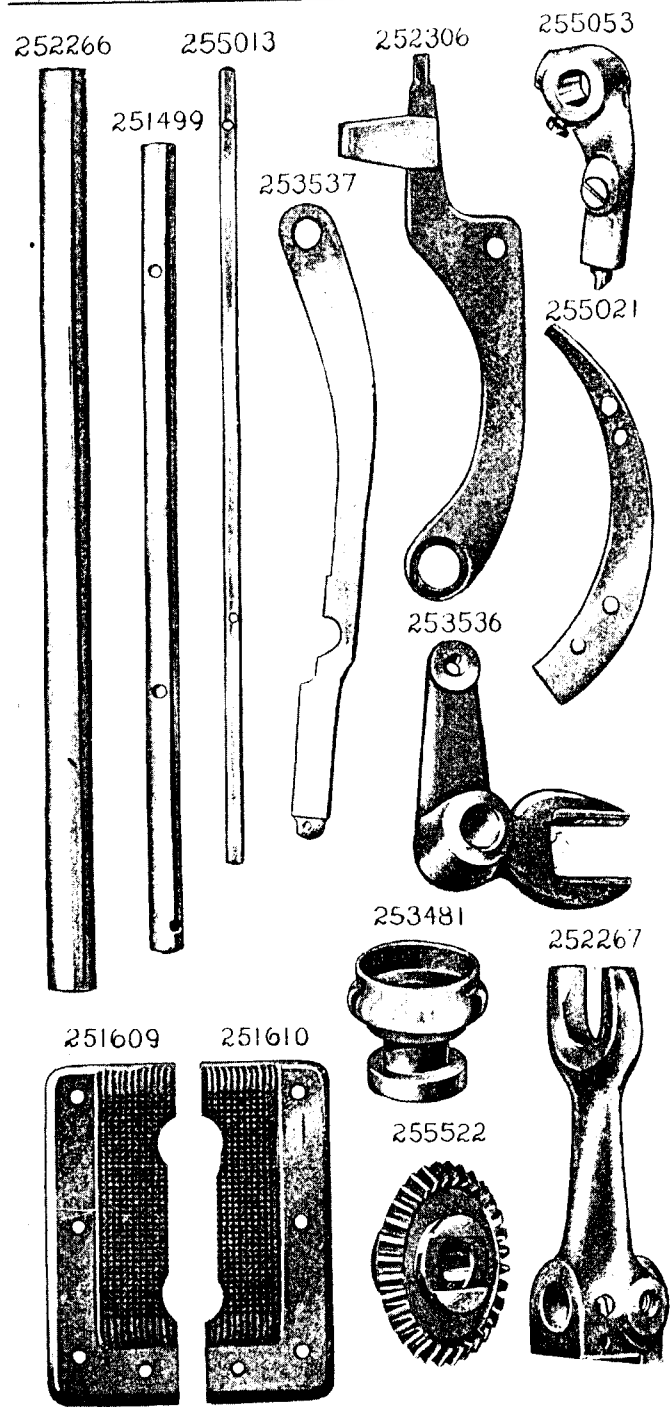




PLATE 13936—FULL SIZE

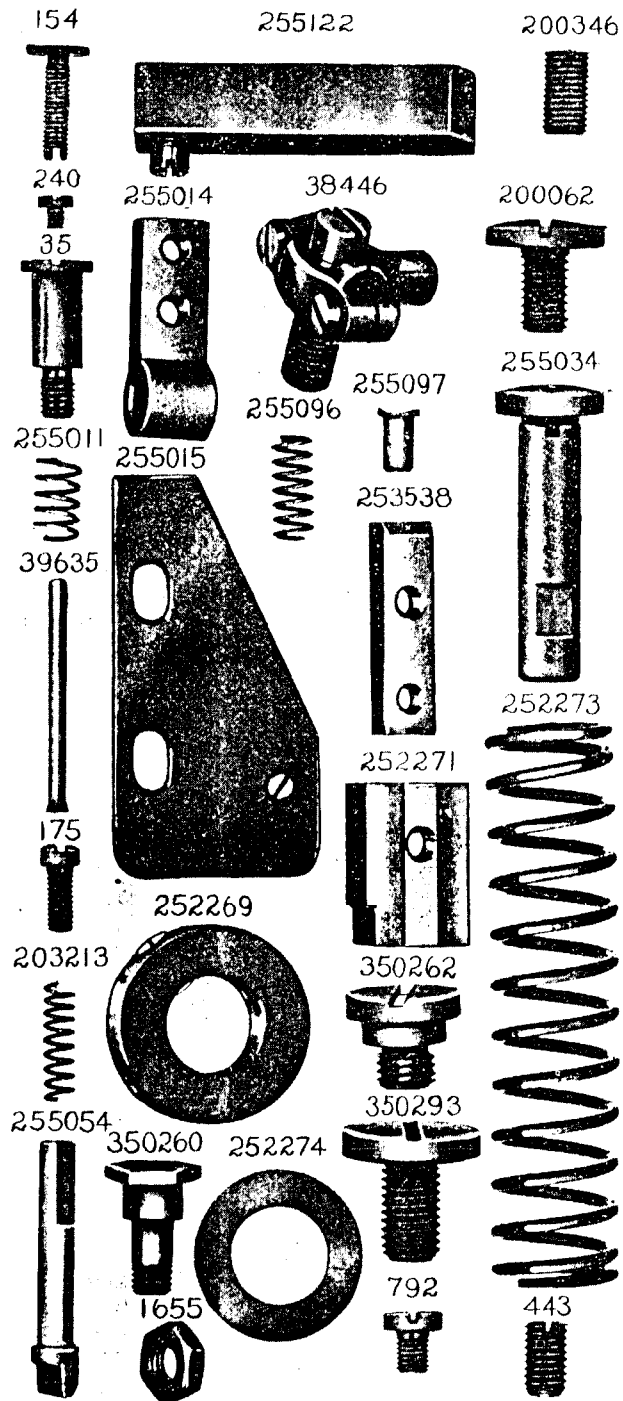


PLATE 13937—FULL SIZE

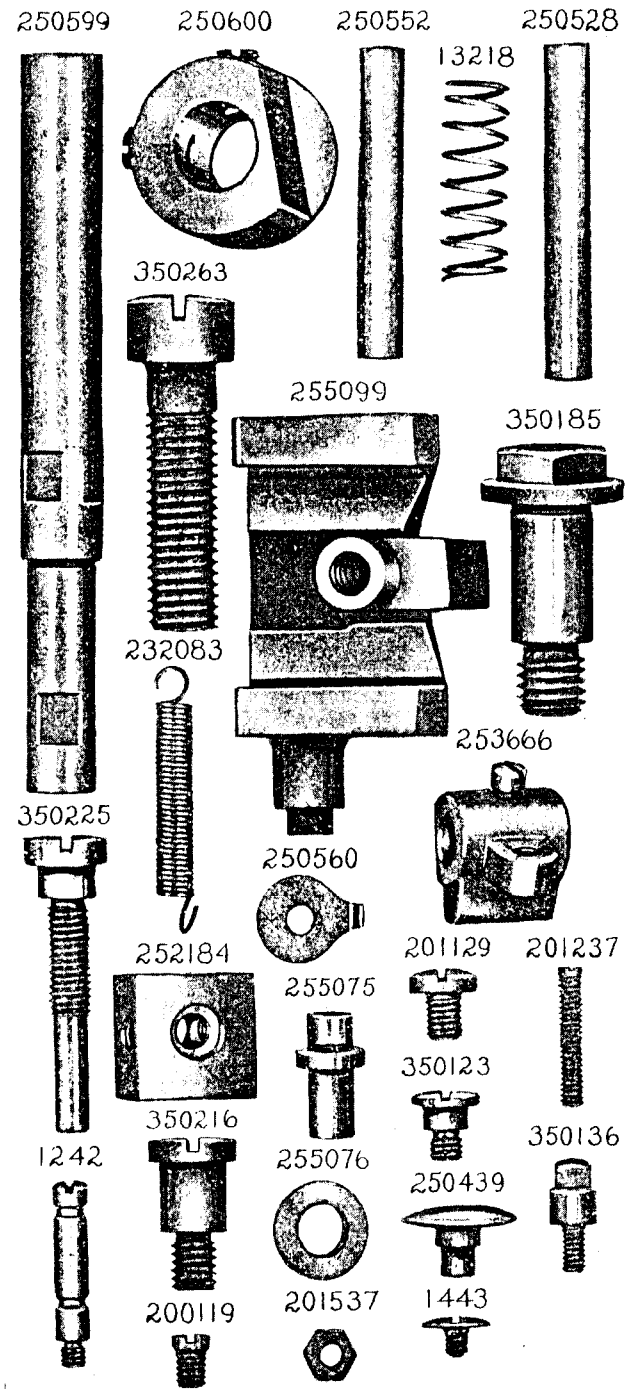


PLATE 13938—FULL SIZE

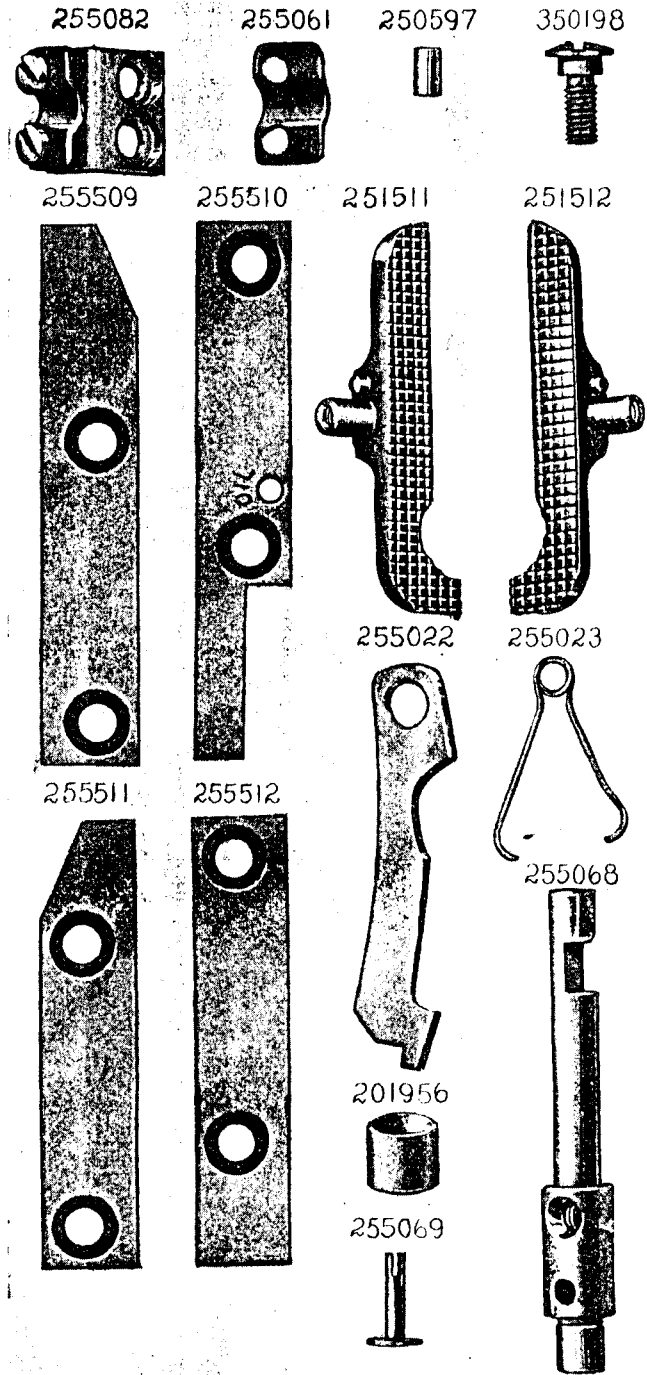


PLATE 13939—FULL SIZE

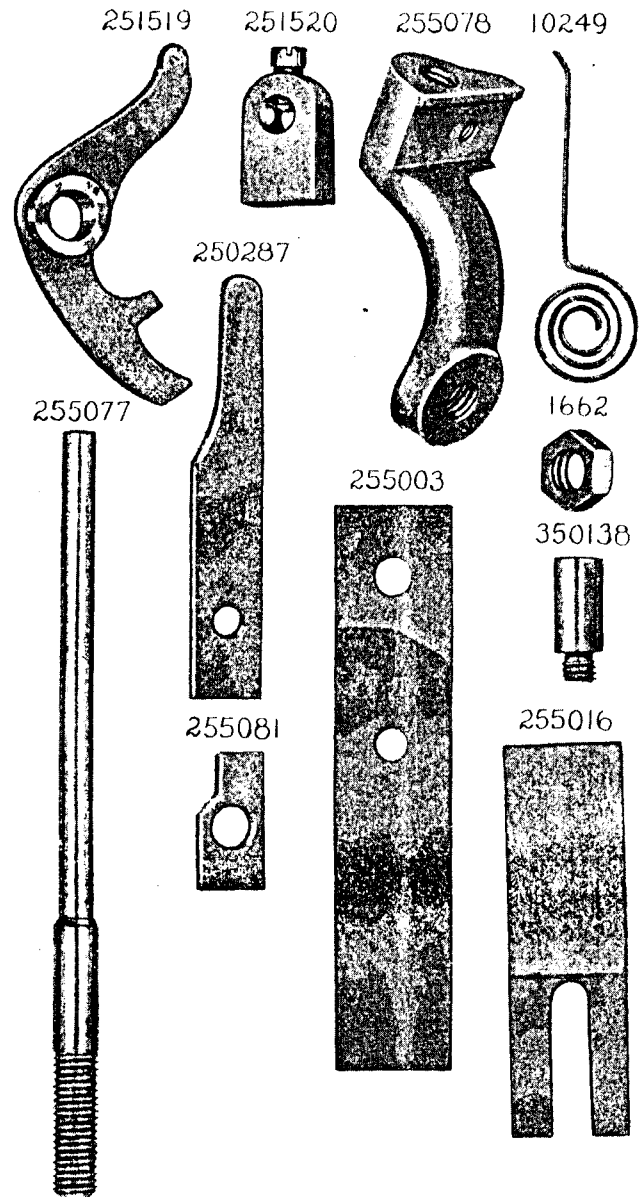


PLATE 13940—ONE-HALF SIZE

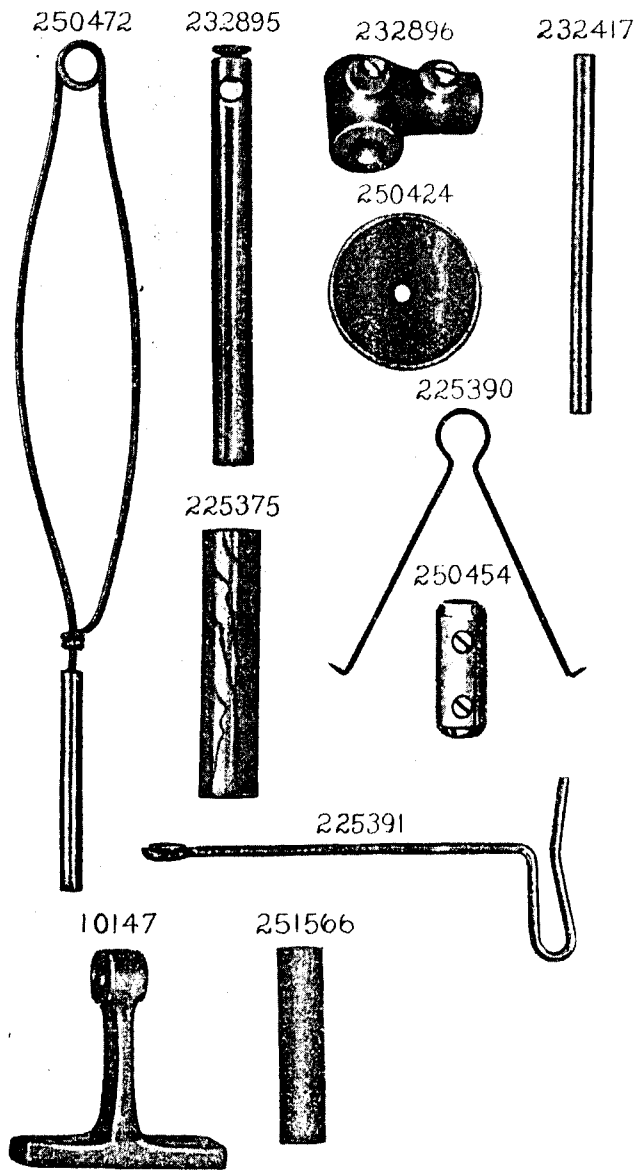


PLATE 13941—FULL SIZE

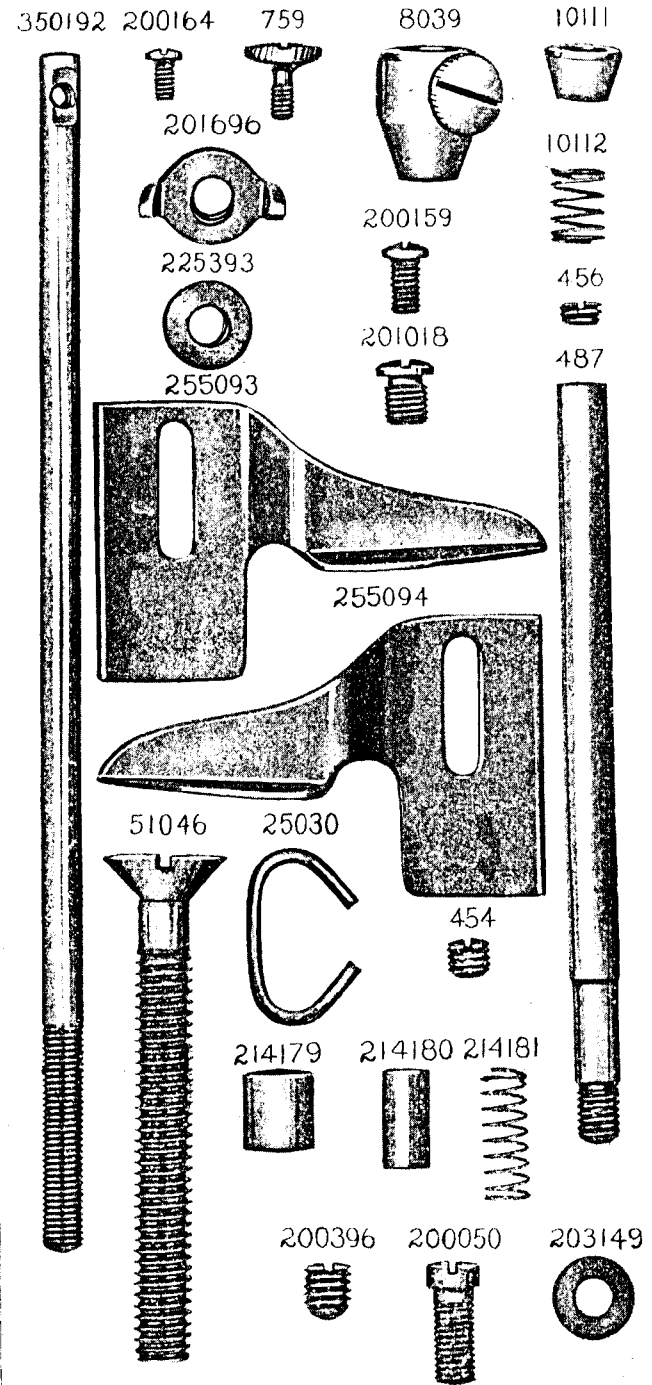


PLATE 13942—FULL SIZE

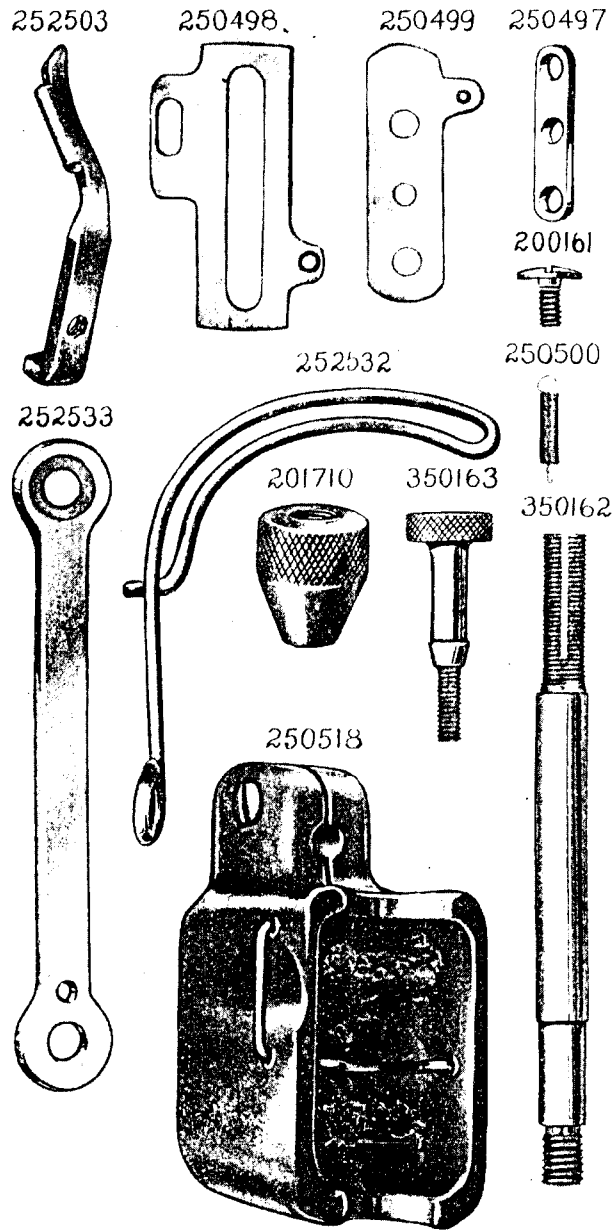


PLATE 13944—ONE-FOURTH SIZE

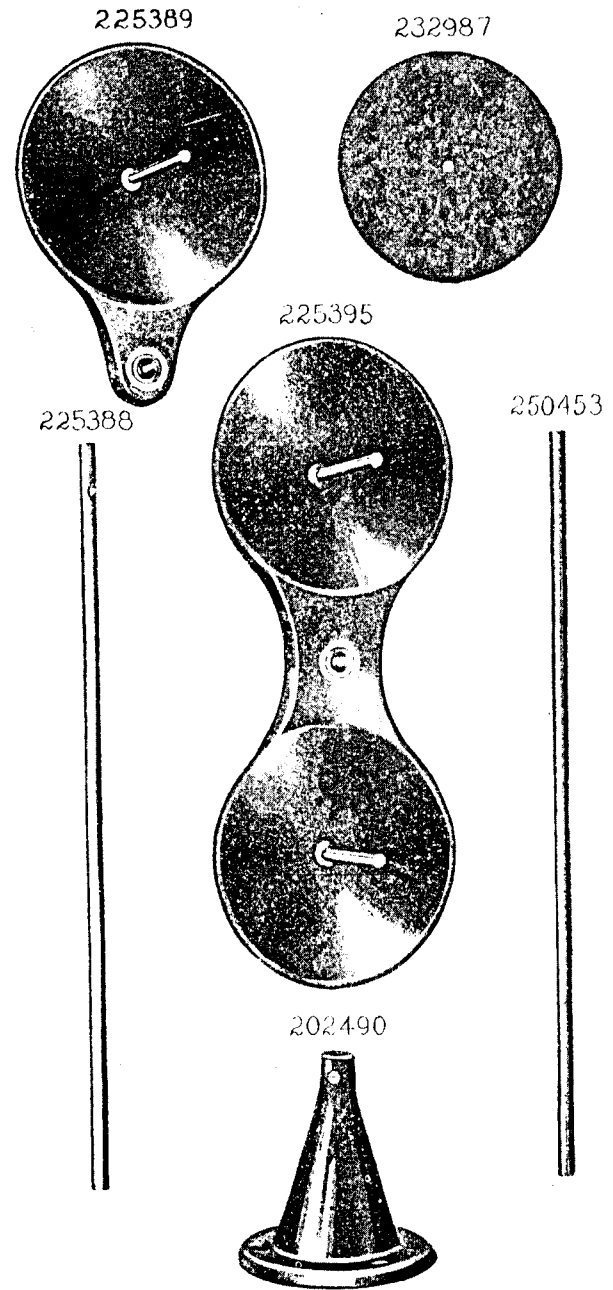


PLATE 13946—FULL SIZE

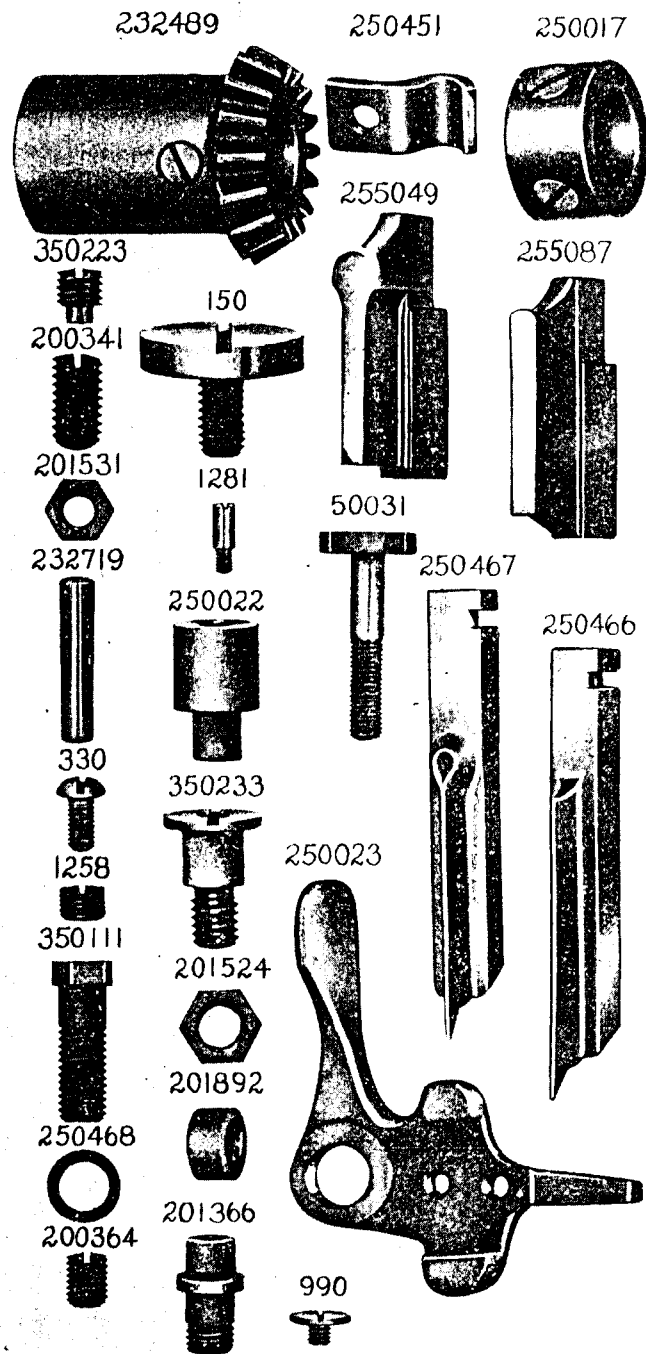


PLATE 13947—FULL SIZE

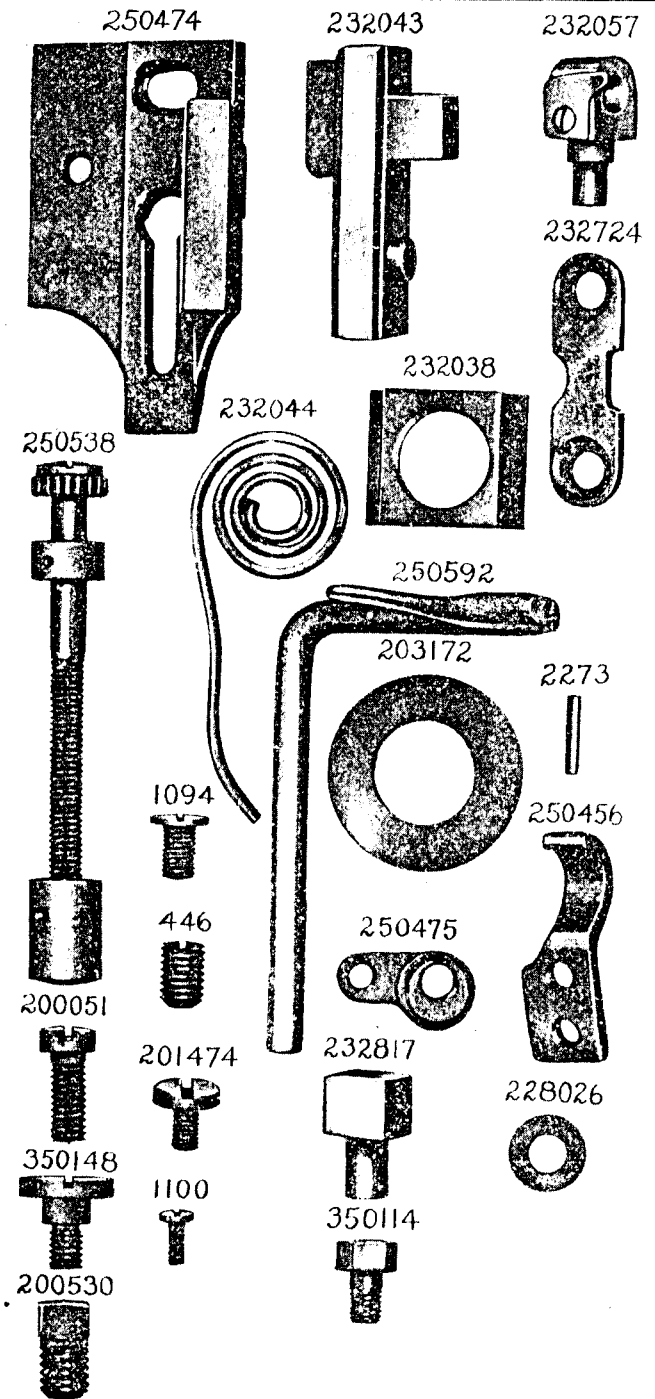


PLATE 13948—ONE-FOURTH SIZE

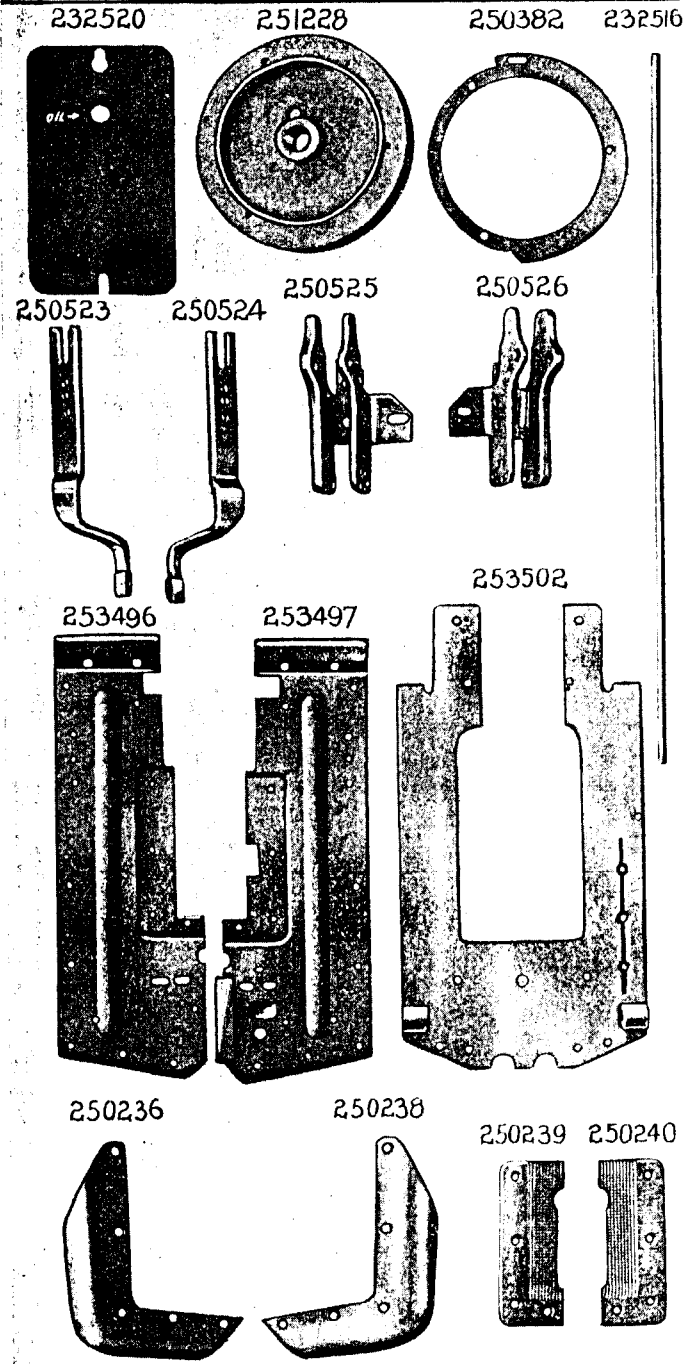


PLATE 13949—FULL SIZE

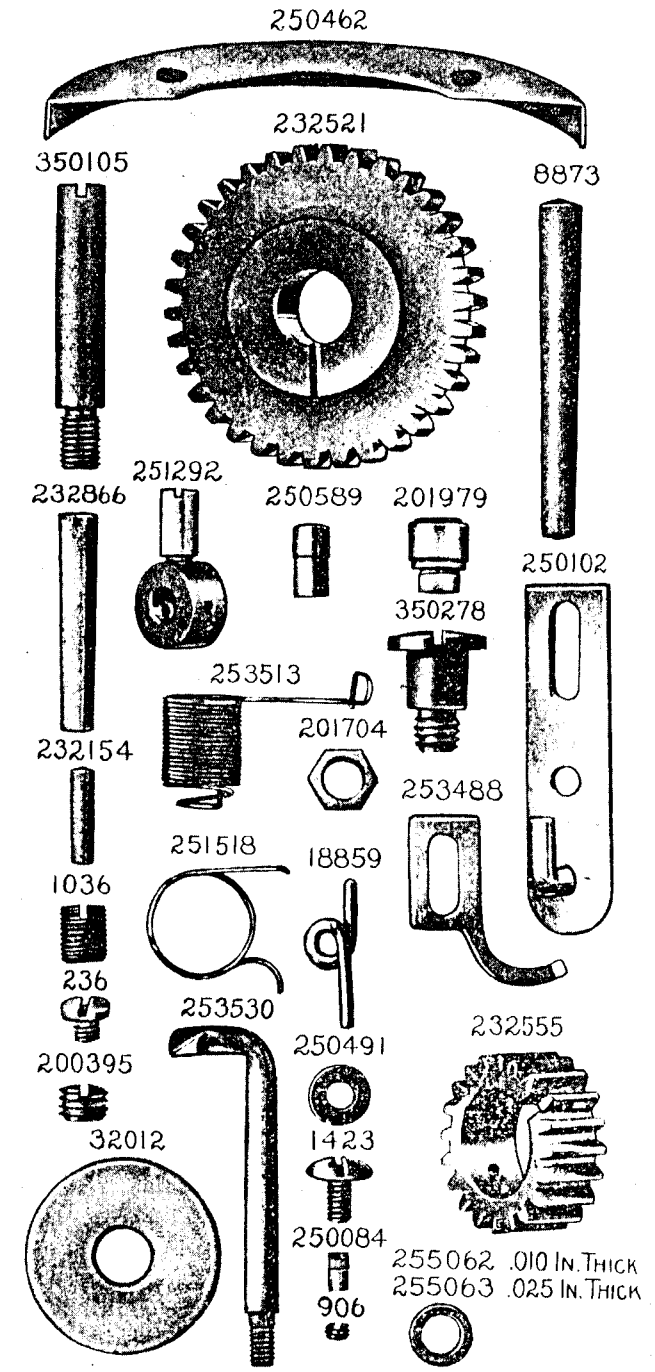


PLATE 13950—ONE-HALF SIZE

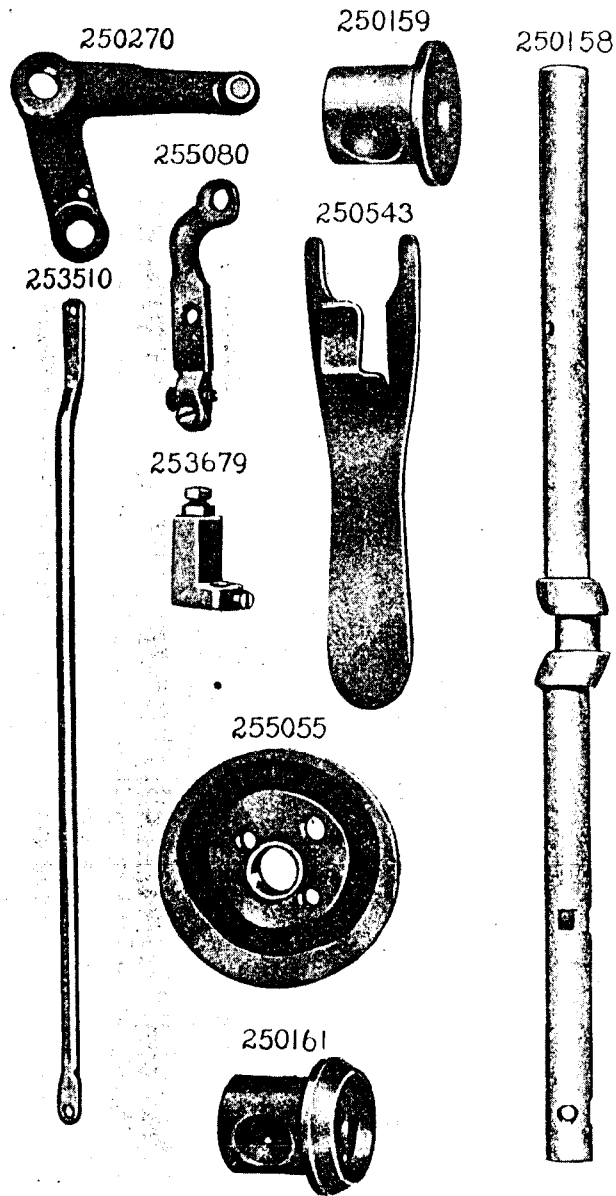


PLATE 13951—FULL SIZE

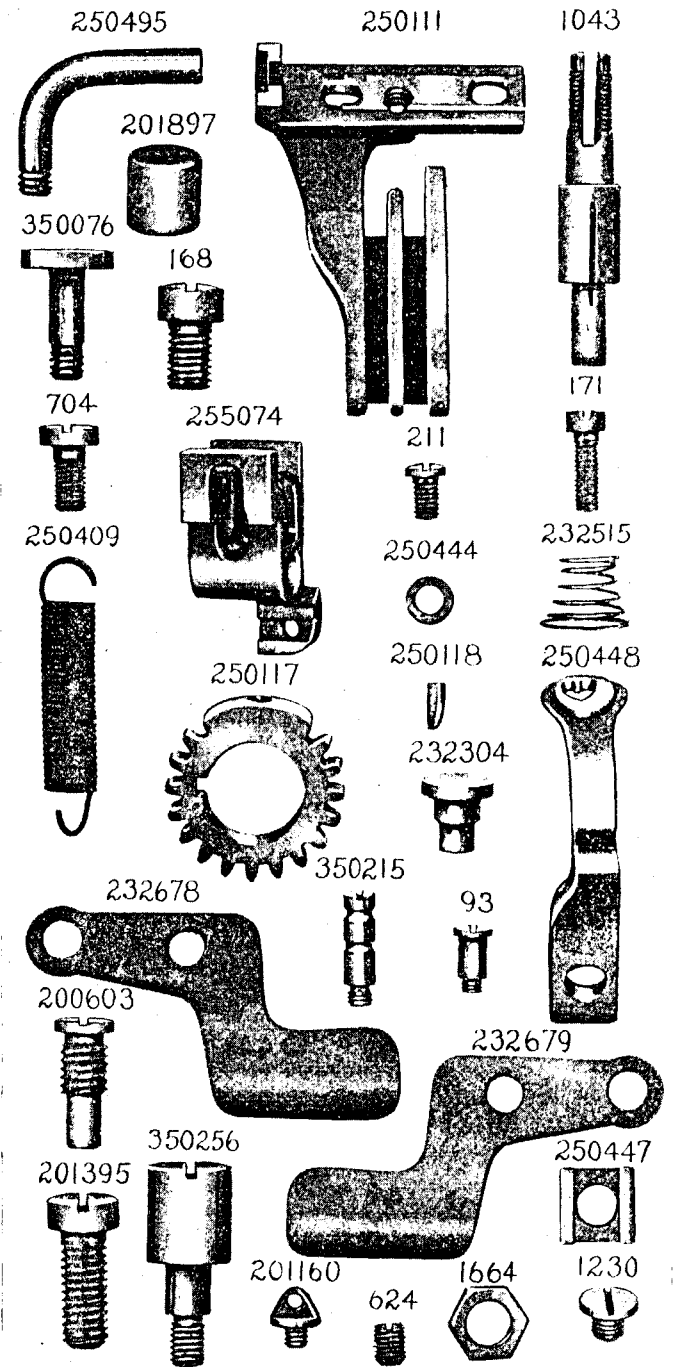


PLATE 13952—FULL SIZE

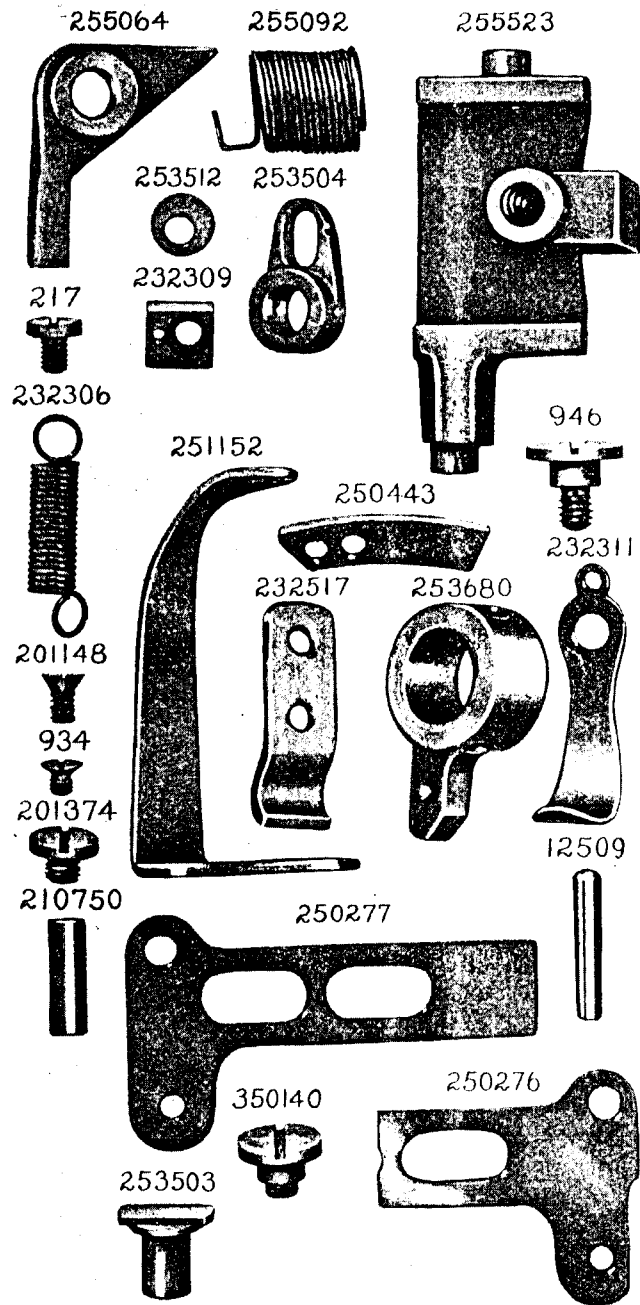


PLATE 13953—FULL SIZE

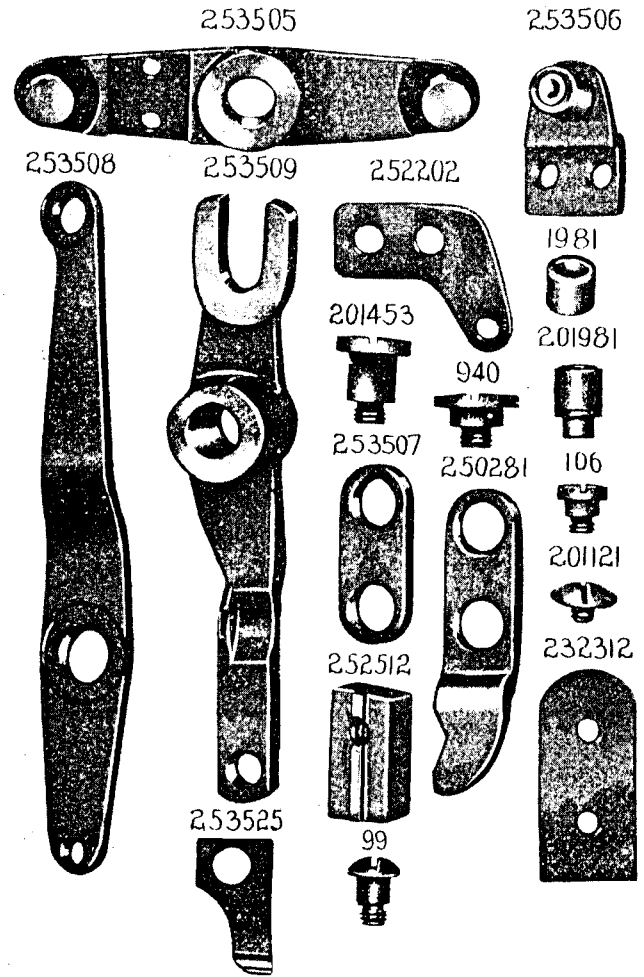




PLATE 13954—ONE-FOURTH SIZE

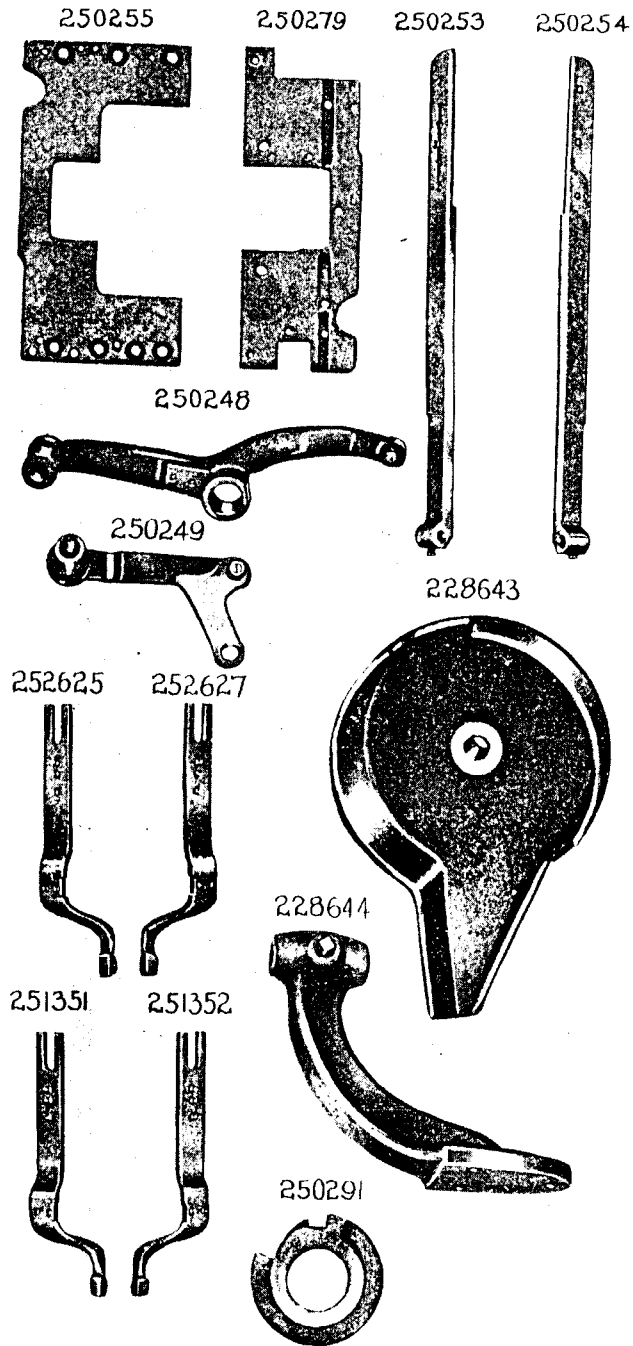


PLATE 13955—FULL SIZE

